



duplo

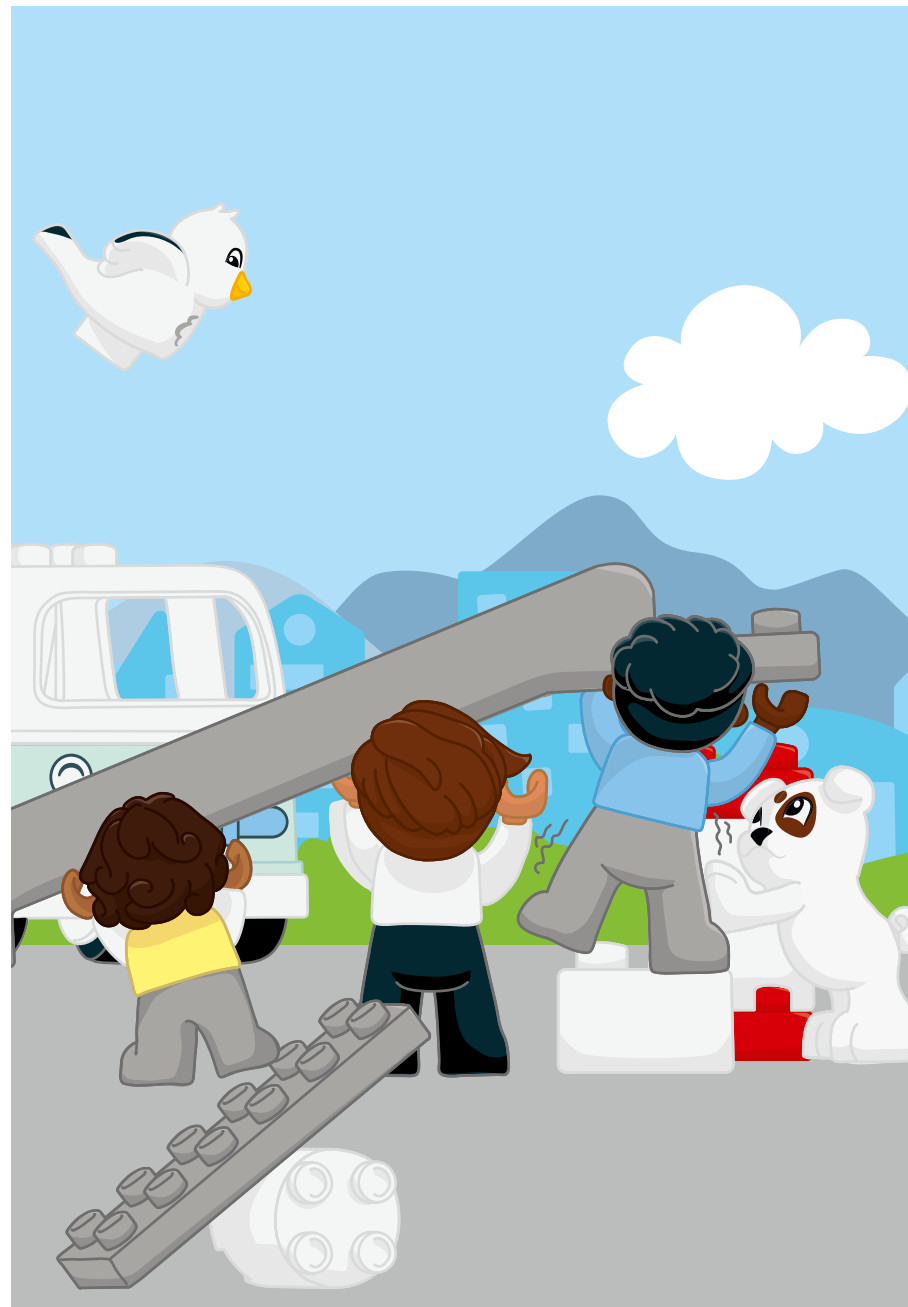
3



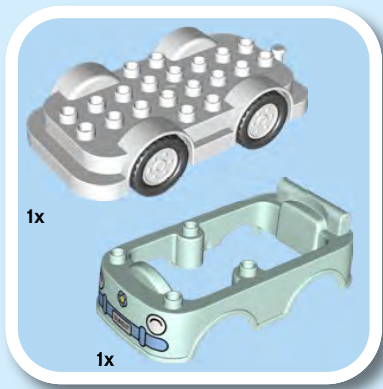
10948
LEGO.com/DUPLO

TM.by
ONLINE STORE

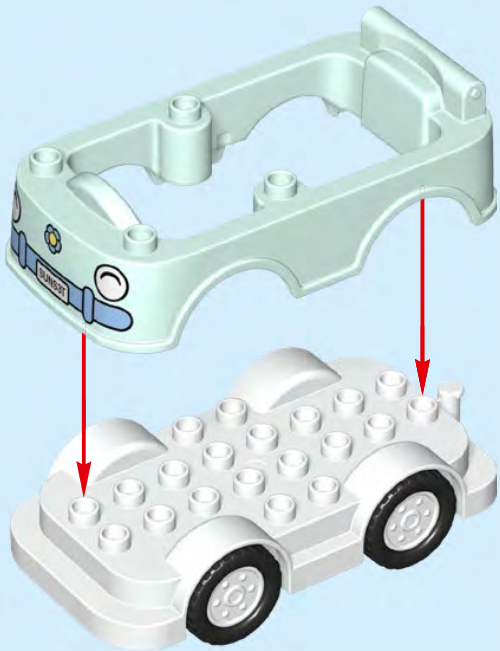
<https://tm.by>
Интернет-магазин







1



4



2





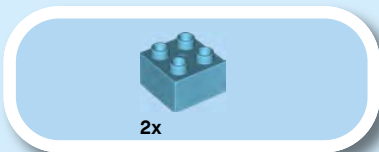
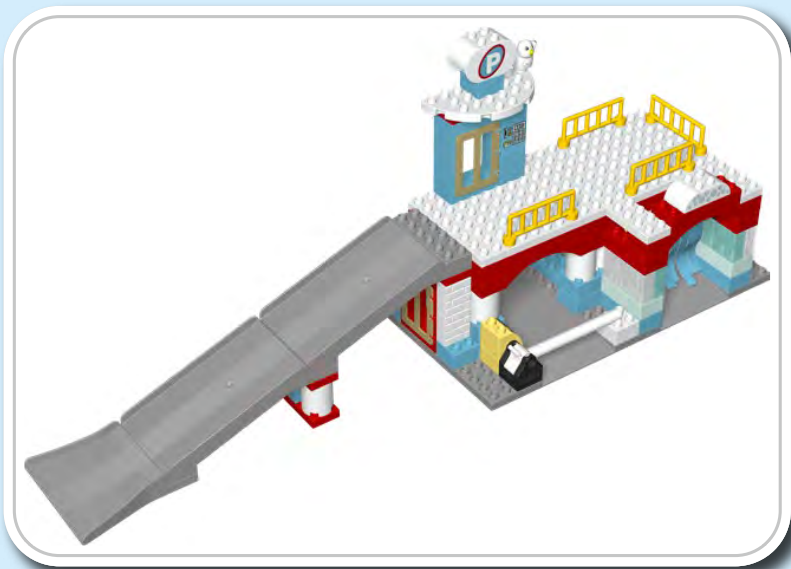
3



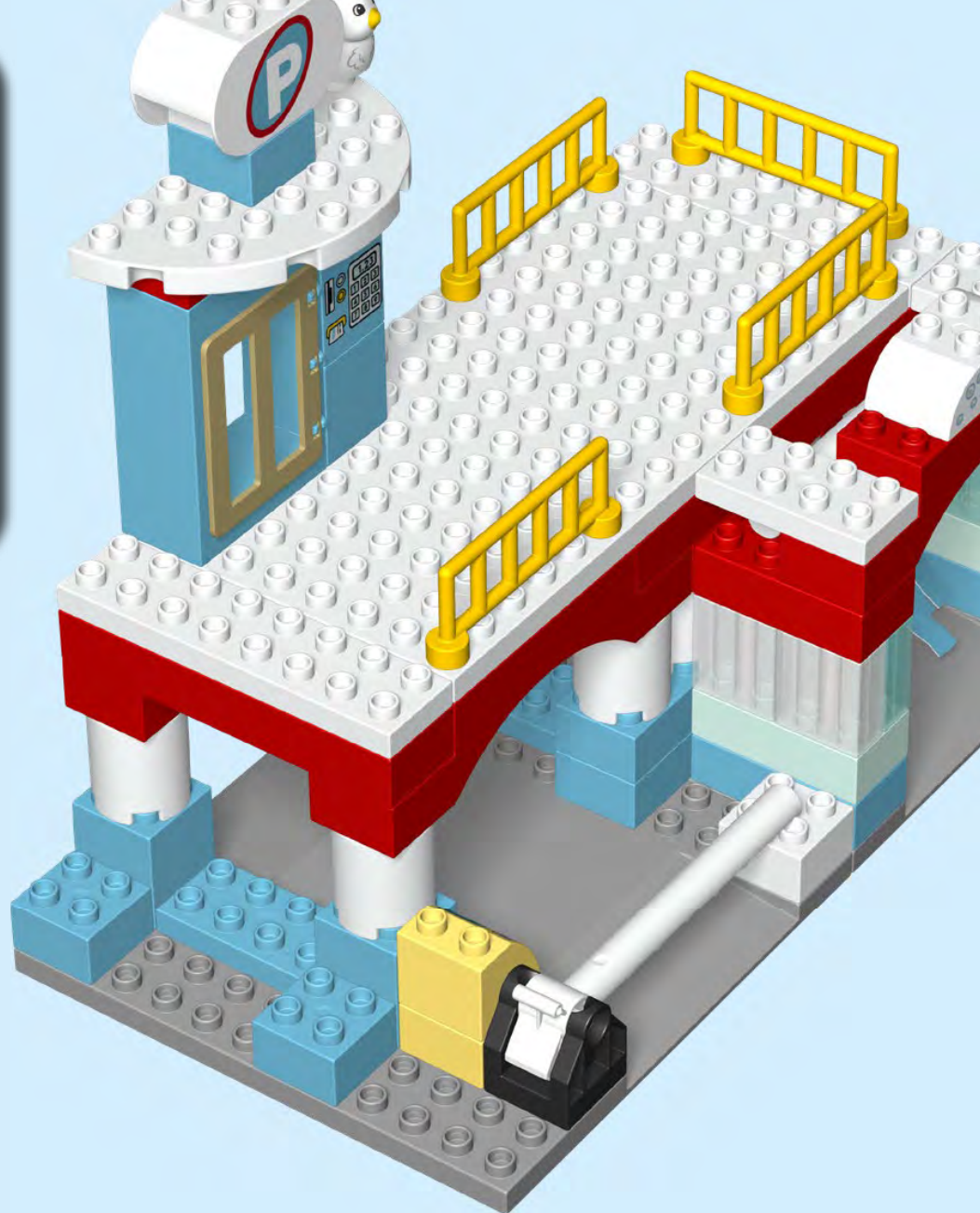
4



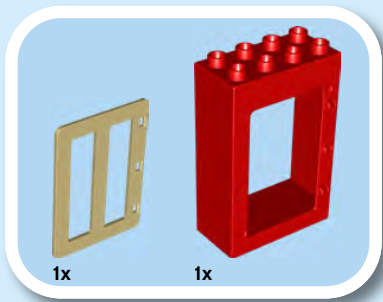
5



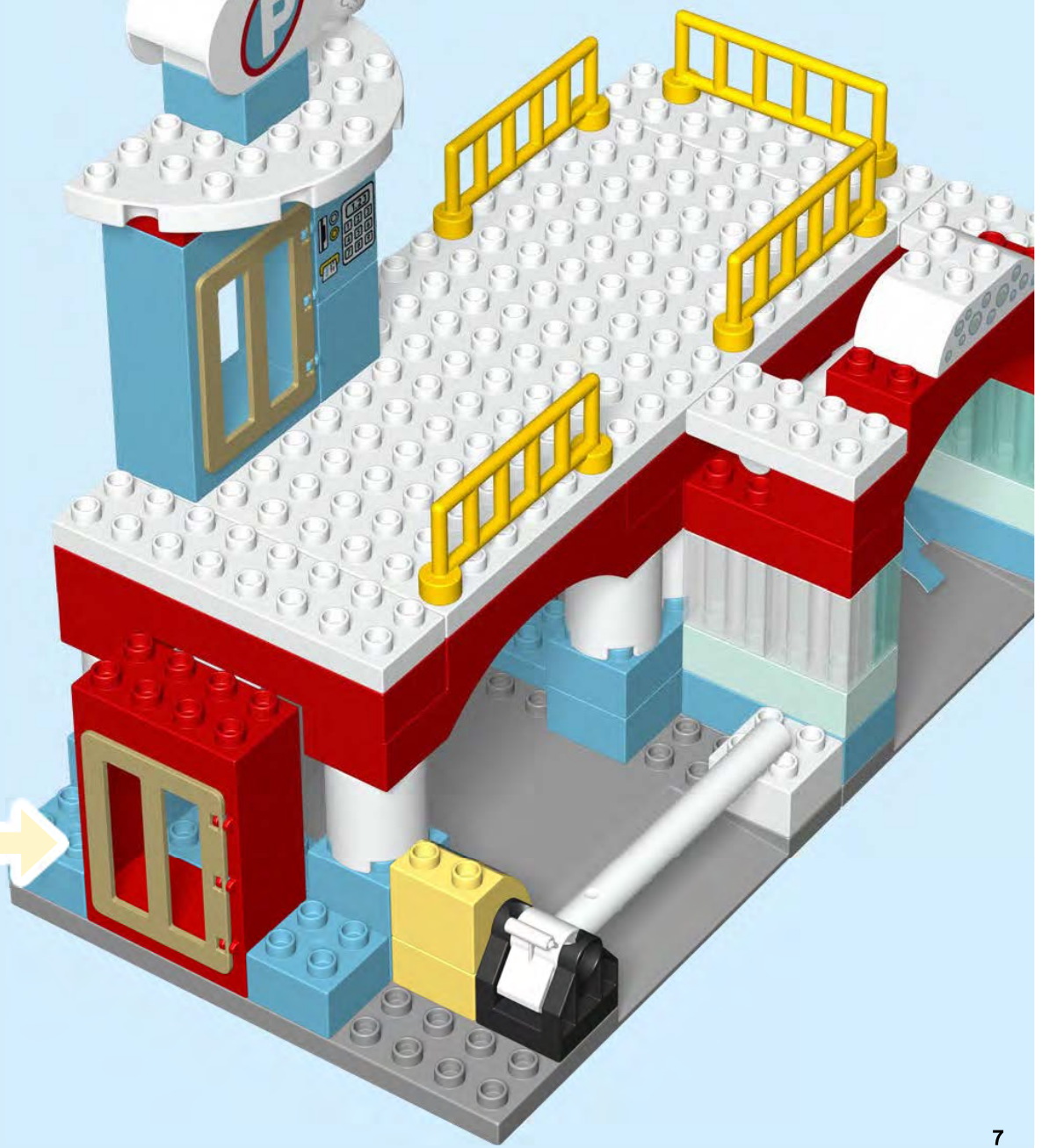
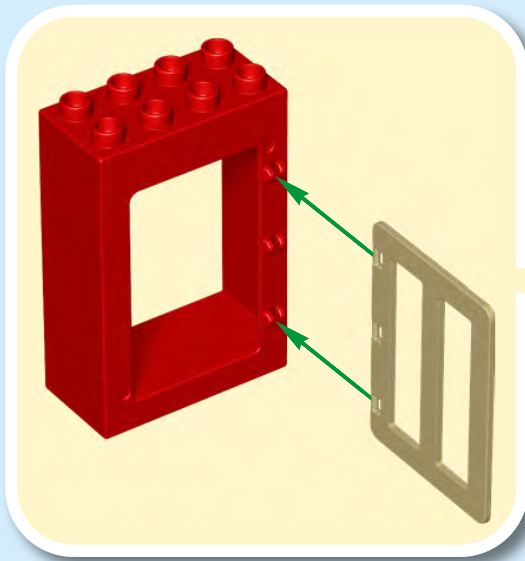
5

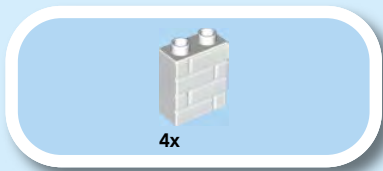


6

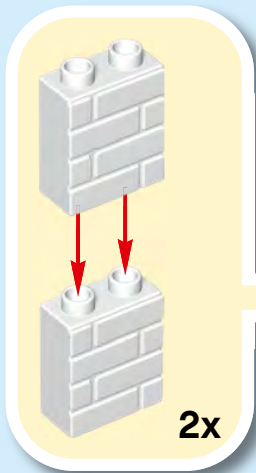
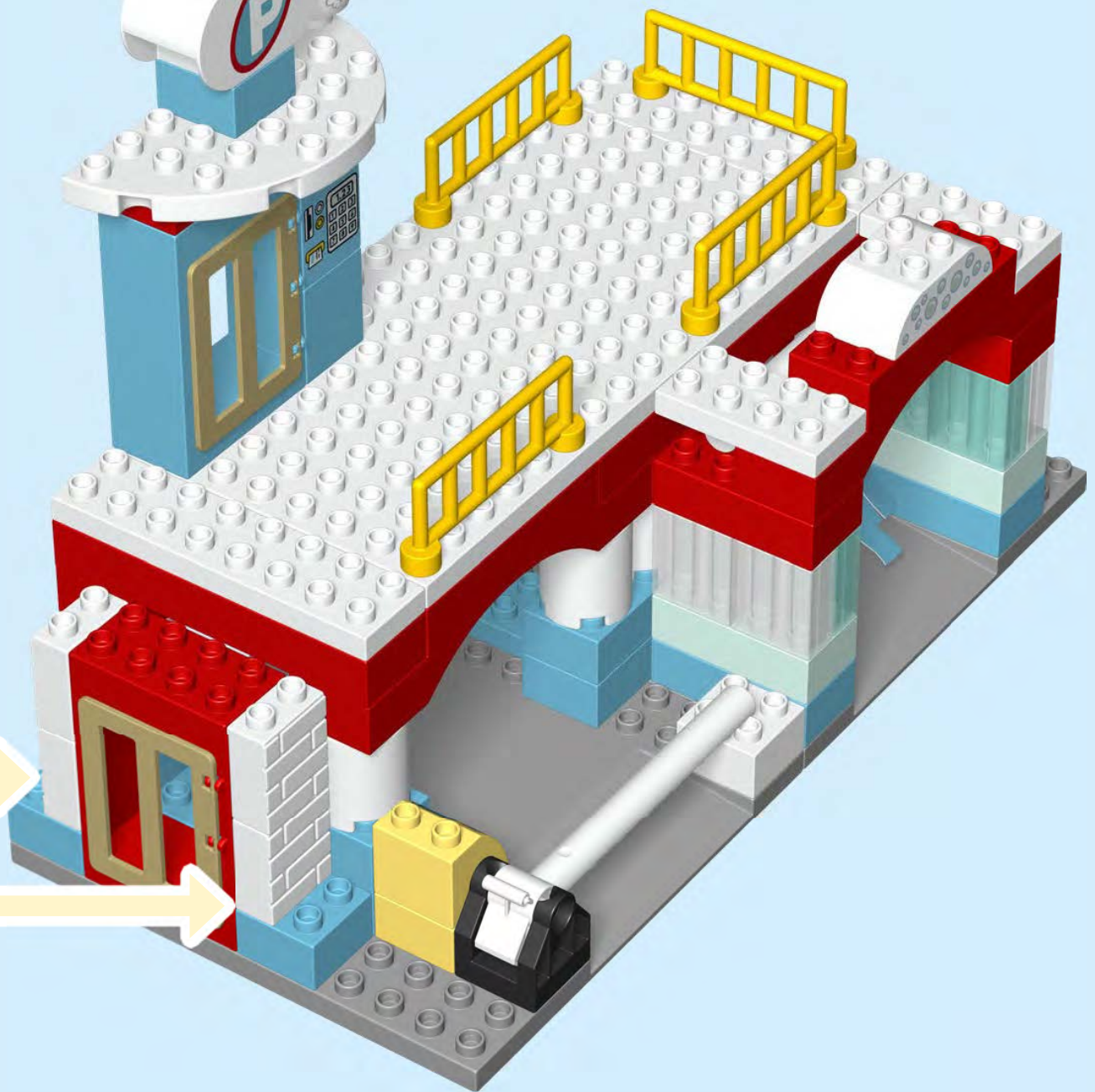


6





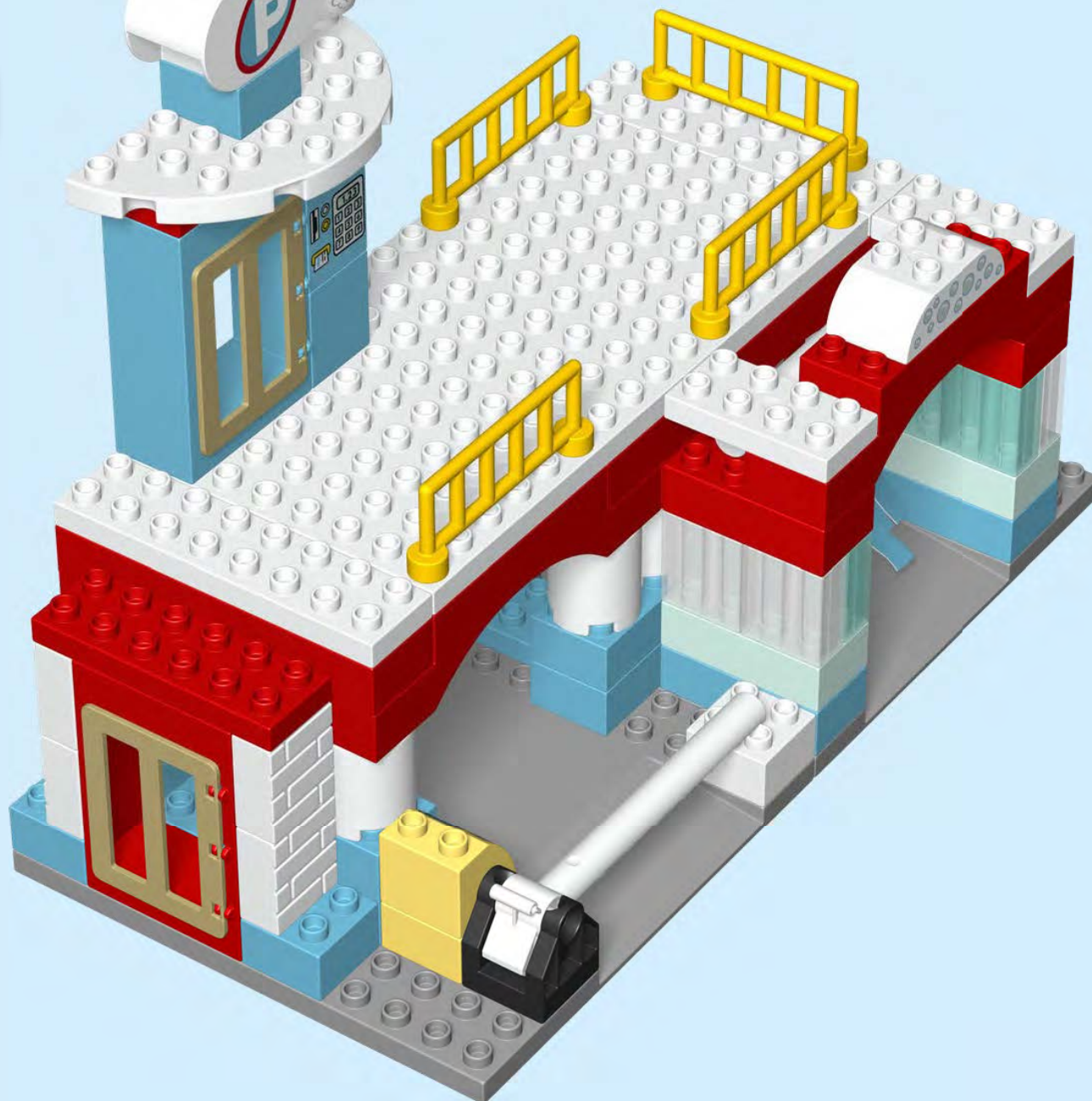
7

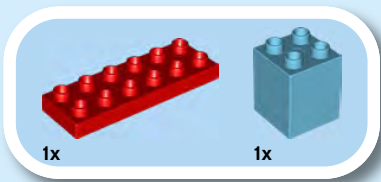
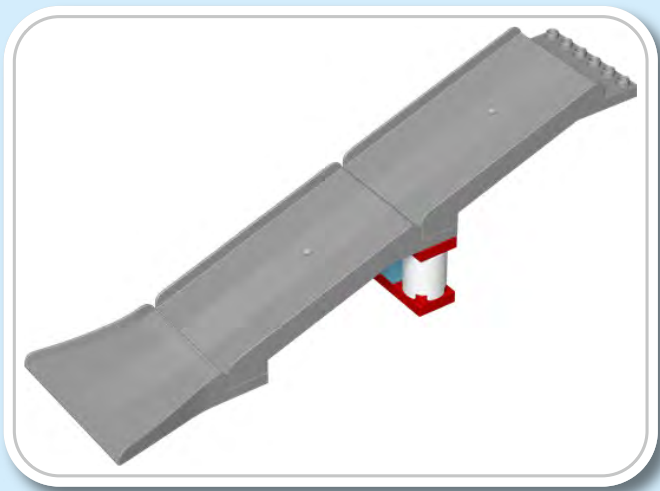


8

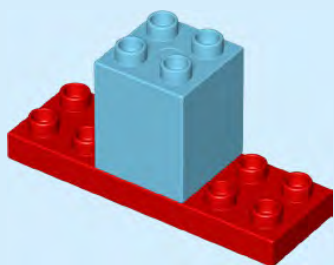


8

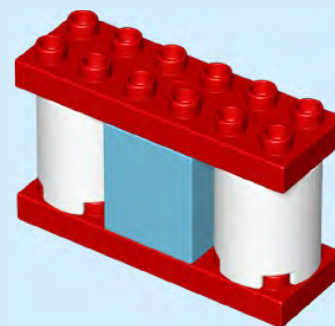




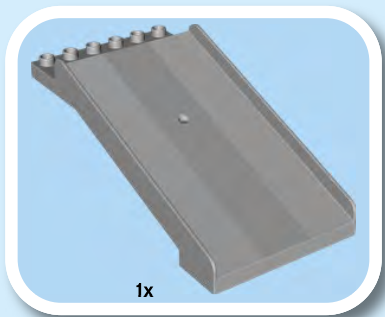
9



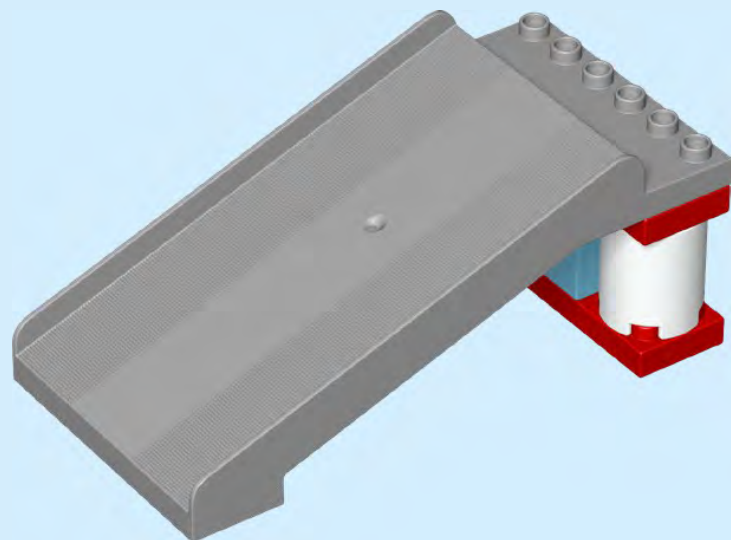
10

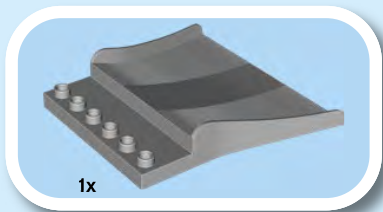


10

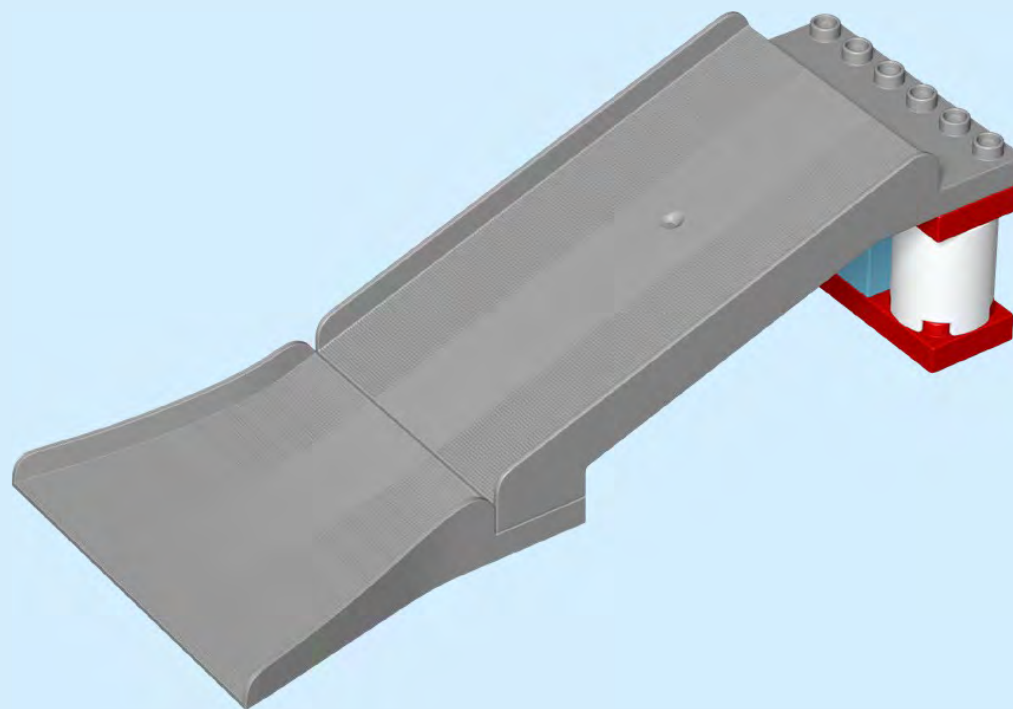


11

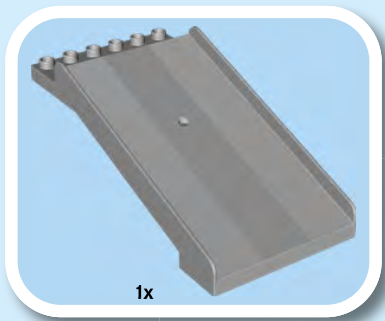




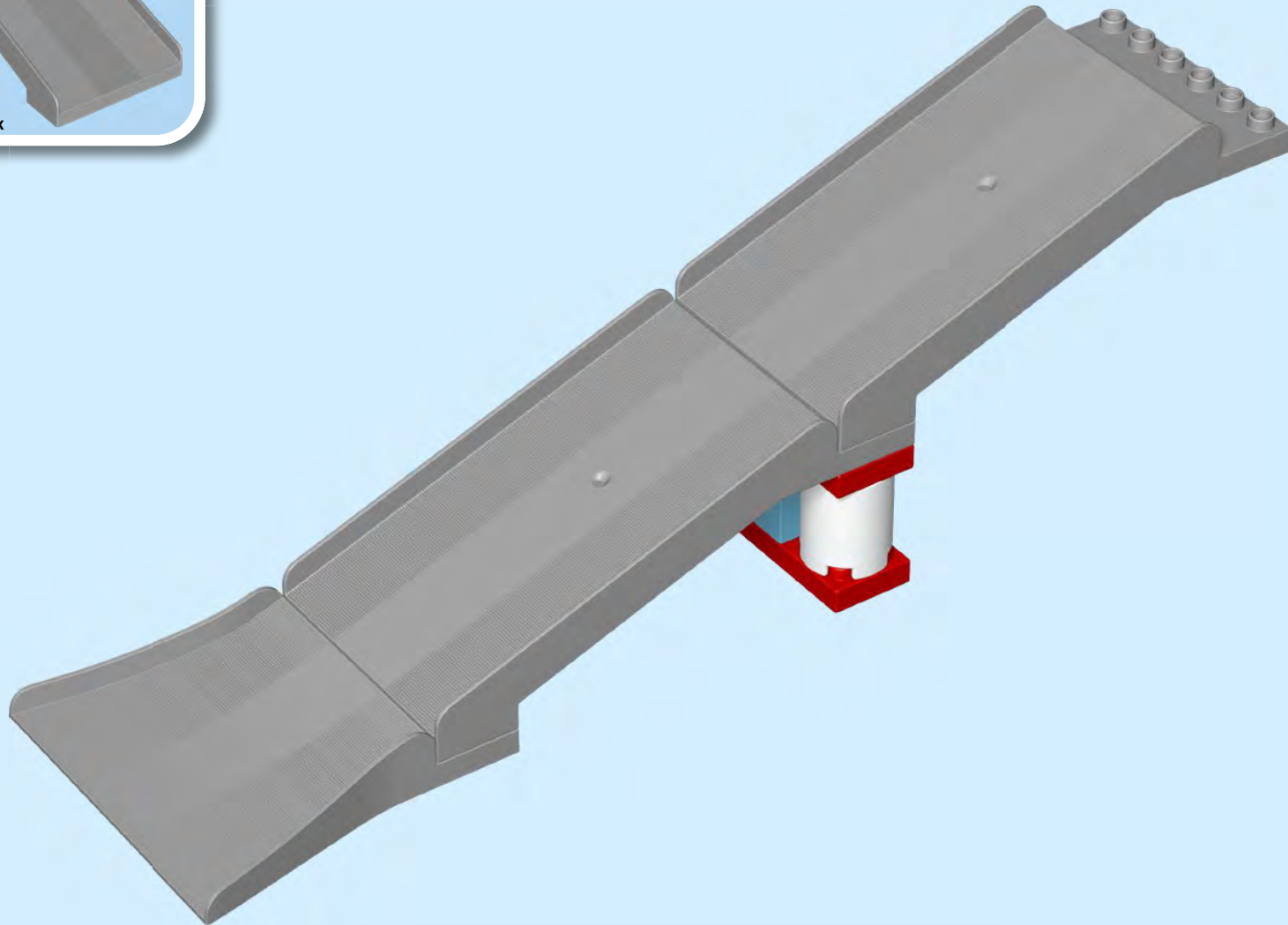
12



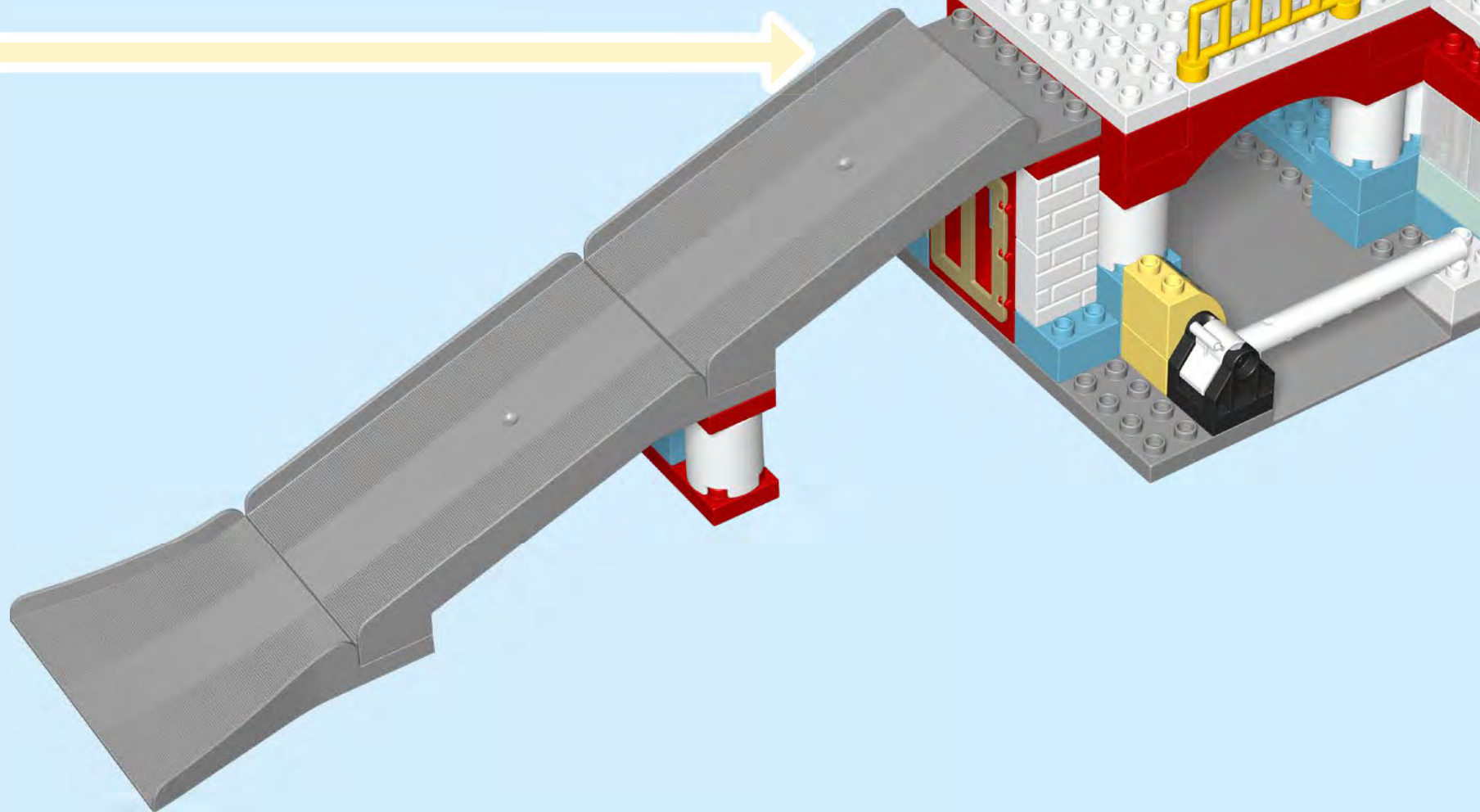
12



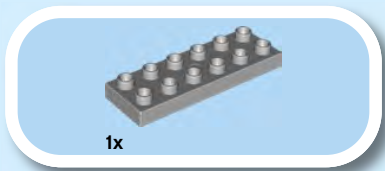
13



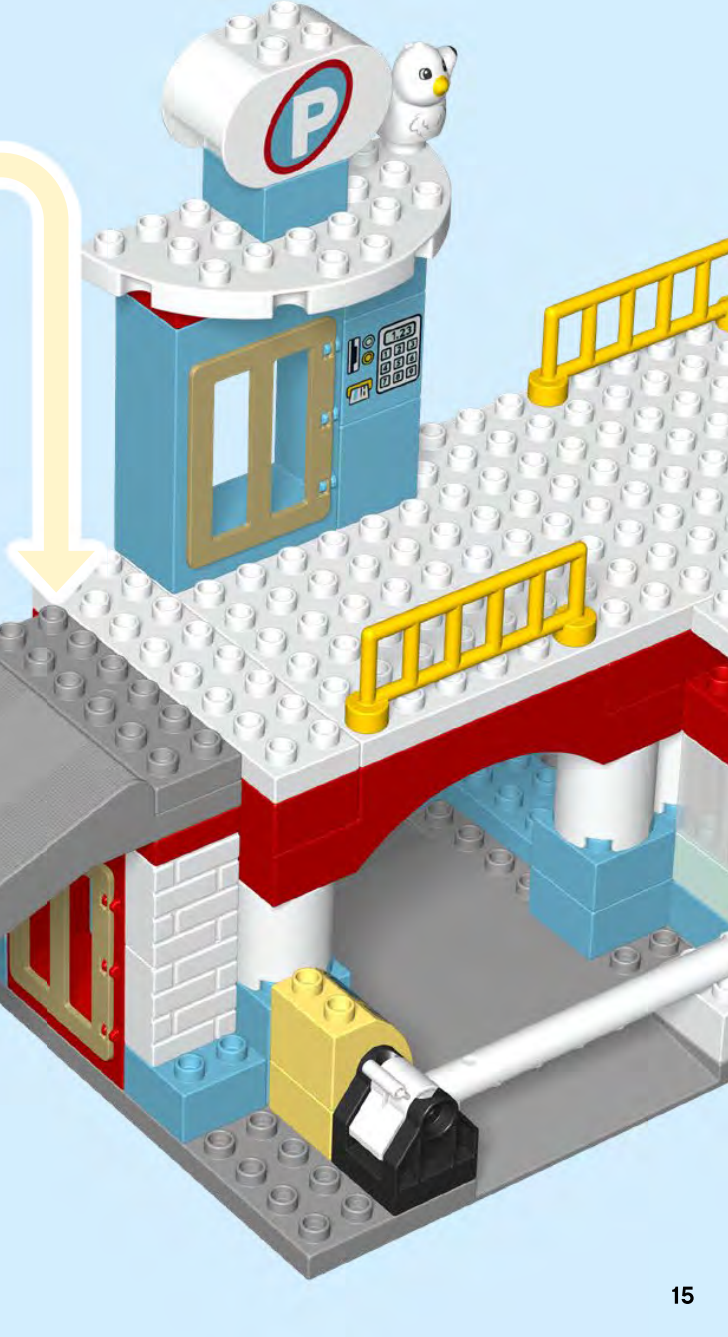
14



14



15



15



Customer Service
 Kundenservice
 Service Consommateurs
 Servicio Al Consumidor

LEGO.com/service or dial



00800 5346 5555 :

1-800-422-5346 :

LEGO, the LEGO logo, DUPLO and the DUPLO logo are trademarks of the/sont des marques de commerce du/son marcas registradas de LEGO Group.
 ©2021 The LEGO Group. All rights reserved/Tous droits réservés/Todos los derechos reservados. 6372090