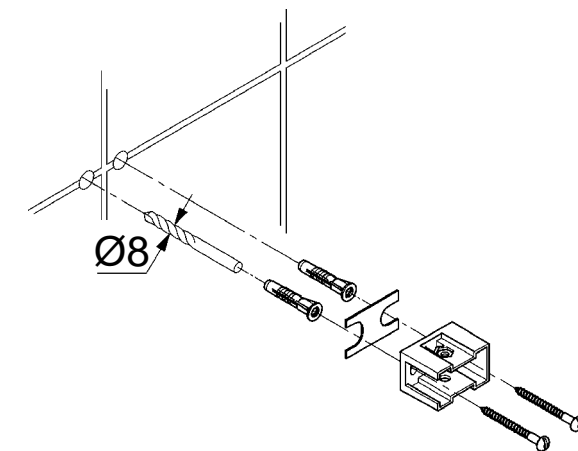
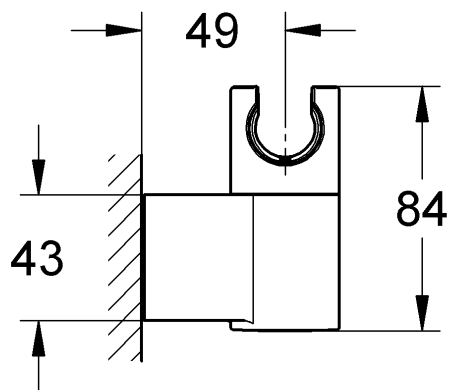
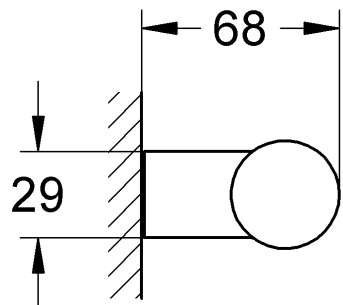


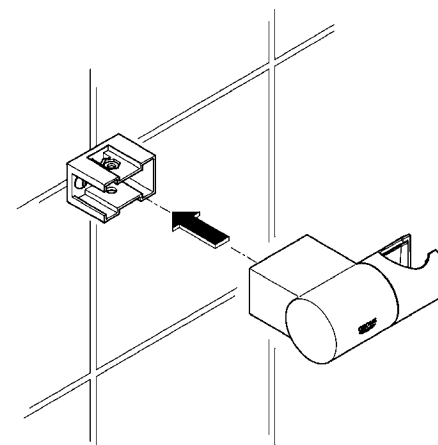


ENJOY WATER®

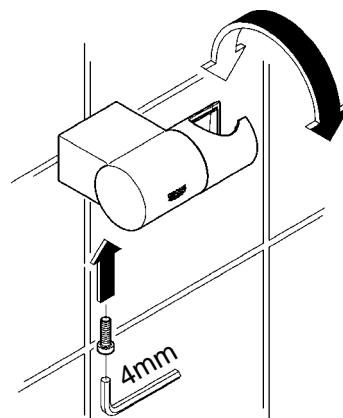
27 055



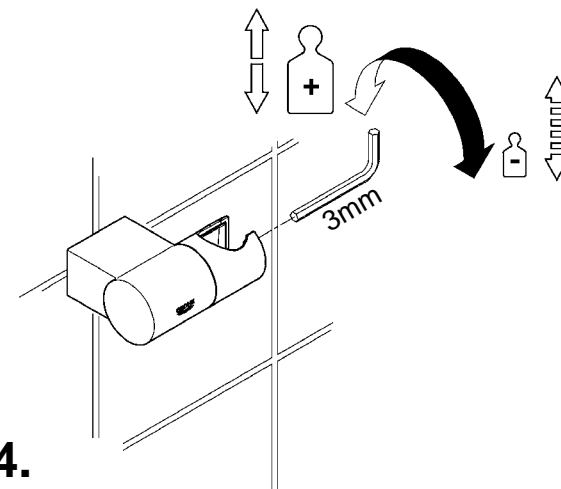
1.



2.



3.



4.

99.062.031/ÄM 216636/03.10

Design & Quality Engineering GROHE Germany