



P.I.T.®

Progressive Innovative Technology

EN PRODUCT PASSPORT
USER'S MANUAL

RU ПАСПОРТ ИЗДЕЛИЯ ИНСТРУКЦИЯ
ПОЛЬЗОВАТЕЛЯ

ELECTRIC CHAIN SAW **ЭЛЕКТРИЧЕСКАЯ ЦЕПНАЯ ПИЛА**

TANDARD



PKЕ405-D1

PROGRESSIVE INNOVATIONAL TECHNOLOGY
ПРОГРЕССИВНЫЕ ИННОВАЦИОННЫЕ ТЕХНОЛОГИИ

TM.by
ONLINE STORE

<https://tm.by>
Интернет-магазин



GENERAL SAFETY PRECAUTIONS

Prohibits:

1. Include and operate the tool in case of illness, tiredness, drug or alcohol intoxication, as well as under the influence of potent drugs that reduce the rate of response and attention.
2. Include and operate the tool to persons who have not studied the safety rules and operating procedures.
3. Power on and operate the tool for children and adolescents under 18 years of age, except for students over 16 years of age who are trained with electric chain saw under the close supervision of instructors.
4. Perform operation in conditions of limited visibility, strong winds, rain or snow.
5. Power on and operate the tool if damaged, with unreliably fixed parts and components.
6. Use the tool as a lever or junk for turning logs.
7. Touch the electric chain saw with wet hands.
8. Open the tool and cover it.
9. Before you start the electric chain saw, check the serviceability of: guide rail and chain, chain emergency brake lever, chain catcher and lock key against inadvertent energisation. Check the oil level in the tank and the operation of its supply system, if necessary, add oil or clean its supply channels. Check the chain tension regularly.
10. Do not use the tool if the power cord insulation and extension cord is damaged, avoid splicing cables, use one-piece cables of appropriate length and section. Before starting operation, check the condition of the power cord and extension cord in order to detect breakages, damage, signs of wear, do not allow the use of bent, twisted or damaged power cord and extension cord.
11. In the case of using the cable extender in the reel - it completely unwind, as wound on the reel the cable may overheat and ignite. To prevent accidental disconnection of the power cord from the extension cord, use additional plug attachments, such as a variety of clips.
12. Place the extension cord at a safe distance from the electric chain saw and outside the area where trees and brush woods may fall.
12. Only connect the tool to a power source that is properly grounded. It is recommended to use power supplies with circuit breakers.
13. To protect against electric shock, avoid touching the metal parts of the electric chain saw with grounded objects. Regularly check the tightening of all external fasteners and tighten if necessary. All components and protective elements provided by the design shall be in regular places.

14. During operation, always wear protective clothing made of durable material that provides reliable protection. Work clothes should not restrict movement, but at the same time fit tightly to the body to avoid the possibility of getting into the moving parts of the electric saw or cling to the processed material. Always use face and eye protection (ventilated mask, glasses) and hearing protection (headphones, earplugs). Wear sturdy safety boots or boots with closed toe and non-slip soles. Use tight gloves or mittens to protect your hands. Be sure to wear a tight headress, and carrying out the felling of trees and cutting brush woods, take care of a special protective helmet.
15. Do not operate the electric chain saw with a blunted chain, as this increases the likelihood of injury.
16. Do not allow the presence of bystanders and animals in the work area.
17. Do not overload the motor, alternate operation with rest. If possible, refrain from working alone.
18. Do not allow oil to enter the ground and water drains during oil filling and operation of the tool. If oil spilled on the tool, wipe dry. After filling, tighten the oil tank cap tightly, check for leaks. In case of oil leakage, remove it before powering on the motor, as this may cause a fire. Do not refill the oil if the motor is running. If you do not use the electric chain saw for a long time, drain the oil from the tank.
19. Do not operate in close proximity (less than 5 meters) to the location of flammable materials.
20. Before powering on the electric chain saw, make sure that the guide rail is securely fastened and does not come into contact with foreign objects.
21. During operation, hold the electric chain saw firmly in both hands, never try to cut, holding the tool with one hand.
22. Never use the tool for sawing sheet metal, plastic and other non-wood materials.
23. Try to avoid sawing bushes as small brush woods can be caught in a chain and thrown in your direction - risk of injury.
24. In case of any abnormalities in the normal operation of the tool, immediately stop the engine, disconnect the electric chain saw, find out and eliminate the cause.
25. Always make sure that the ventilation holes on the electric chain saw case are not closed or clogged with sawdust and dirt. Otherwise, it may lead to premature failure of the product.
26. Clean the surface of the acetone from the mud or debris immediately upon completion of the operation. The tool must always be kept dry and clean, without the presence of oil stains, dirt and dust.
27. When transporting the electric chain saw, put a protective cover on the guide rail.

The danger of backblow and "return impact"

- Do not switch on the electric saw when the chain is in contact with any object.
 - Avoid accidental contact of the guide rail toe with trunks and brush woods.
- If the chain comes into contact with stones, metal and other solid foreign objects during operation, stop the engine immediately, disconnect the electric chain saw and inspect the guide rail and chain.
- In the process of operation, always keep the saw guide rail in view, especially the guide rail toe.
 - Bring the guide rail to the solid wood only when the electric chain saw is turned on.
 - Through the holes of the guide rail toe do only if you are well trained in this case.
 - When replacing the worn elements of the electric chain saw (guide rail, chain), use only the recommended accessories.

EXPLANATION OF P.I.T. TRADEMARK

P.I.T. Progressive Innovational Technology

Currently, 10 kinds of mechanical and electrical equipment are produced under the P.I.T. trademark. In terms of sales, electric chain saw **PKE405-D1** occupy one of the leading positions. Each letter and number in the designation of this electric chain saw model has the meaning.

PKE405-D1

P-Trademark of P.I.T.

KE – electric chain saw

405 – length of the guide rail is 405 mm

D1 – modification series

INTENDED USE

Electric chain saw **PKE405-D1** is designed for easy and fast sawing of fresh, dry and wet wood, chipboards, wood harvesting, and works in the garden of any level of complexity.

An important advantage of the electric chain saw in comparison with the gasoline chain saw is the absence of exhaust gases and gasoline vapors, so that the electric chain saw can work even in unventilated areas.

OPERATION PRINCIPLE

The rotation of the electromotor is transmitted to the gear, which rotates the output shaft.

From the end of the output shaft is the chain sprocket, which, in turn, drives the saw blade and the process of cutting.



MODEL PKE405-D1

PRODUCT SPECIFICATIONS

PKE405-D1

Rated voltage	220 V
No-load speed (idle speed)	5,000 rpm
Guide rail length	405 mm
No load speed	13.5 m/sec
Rated output capacity	1600 W
Oil tank capacity	0.2 l
Weight	4.5 kg

FUNCTIONAL CAPABILITIES AND FEATURES OF THE ELECTRIC CHAIN SAW

Functional Capabilities:

It is intended for sawing of various types of the roundwood.

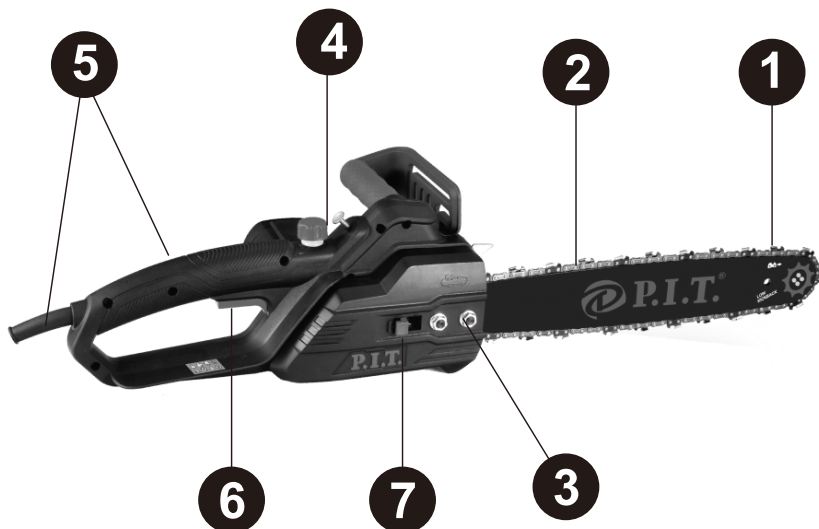
Features:

Equipped with a system of the anti-impact braking, making the operator's work safe and calm.

The system of fast installation and fastening of a chain, the guide rail mechanism is used that considerably increases work efficiency.

Low noise during operation and high cutting efficiency.

ELECTRIC CHAIN SAW ASSEMBLY




1. Chain

it has good strength, sharpened cutting teeth. On the surface of the chain indicates the direction of movement. Each time you use the chain, you must pay attention to the direction of rotation of the chain.


Rotor

The rotor is one of the key parts of the electric chain saw. The design of the rotor is simple, which ensures reliability, ease of operation and maintenance.


Stator

It is one of the high quality parts of electric chain saw. This part is a fixed part of the electric chain saw, creating a rotating magnetic field. The stator consists of a metal core of the socket winding.

2. Guide rail

designed for chain rotation, has good characteristics of wear resistance, as quickly installed and fixed, which increases efficiency. On the head of the guide rail there is a mark indicating the place of chain installation. In accordance with the mark to install the chain.


3. Chain tension / release screw

designed to chain adjust. A flat screwdriver is used to chain adjust. Rotate clockwise - the chain is tensioned. Rotate counterclockwise - the chain is released.

4. Case and electromotor

Gear wheel large and small

The gears are luxury parts of electric chainsaw. The gears have the following features: transmission power, relatively wide range of circumferential speed, high drive efficiency. The design of the drive is compact, takes up little space.

Bearings

luxury, resistant to high temperatures. Note: The AC electromotor consists of a stator and a rotor. After connecting to the power supply between the magnetic poles of the stator and under the influence of mutual attraction of the magnetic fields of the stator and the rotor, the electromotor begins to rotate.


Carbon brushes.

To ensure the normal operation of the electric chain saw requires excellent performance of carbon brushes, which are manifested:

- a. in rapid formation on the surface of the interchanger and the collector rings are uniform, proportionate, stable layer of oxide film.
- b. with a long service life of carbon brushes, as well as the absence of wear of the interchanger.
- c. good properties of flux concentration and switching, which allows you to keep sparks in the allowable range at low power consumption.
- d. in the absence of overheating, low noise, reliable assembly, in the absence of damage during operation of carbon brushes.

5. Power cord and handle



7. Filler



The oil poured inside lubricates the chain during operation, preventing overheating of the guide rail.

Power cord.

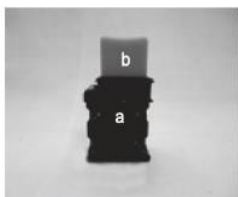
it consists of an external rubber layer, providing a high level of safety and resistance to high temperatures.

Handles.

- Main handle
- Additional handle

equipped with soft pads for comfortable user experience.

6. On/off control on the handle



Two power keys:

- a) safety key
- b) operation key

During operation, press the safety key first and then the operation key. The safety key prevents an accident due to control loss of the tool.

RULES OF OPERATION

Electric chain saw must comply with government regulations.

The operator must have a good understanding of the characteristics and operation of the electric chain saw and must also carry out the operation, maintenance and repair in accordance with the provisions of the operation manual.

Product Assembly

1. Please read this operation manual carefully.
2. Remove the product and all its components from the packaging box.
3. Place the electric saw on a flat surface.
4. Unscrew the nuts securing the guide rail pressure cap with the wrench. Carefully remove the pressure cap.
5. Enter the chain into engagement with the driven sprocket located on the guide rail toe. Pay attention to the correct chain direction.
6. Put a guide rail with on the guide studs (long groove), the pin of the chain tensioner precisely coincided with the stretch hole of the guide rail.
7. Put the chain on the drive sprocket and insert the chain shanks into the guide rail groove. Start this operation from the upper branch of the guide rail. Slide the guide rail slightly to the right to allow the chain to stretch slightly.
8. Put on the pressure cap and tighten the nuts without tightening them.
9. Pull the chain. Pull the chain until it locks firmly into the bottom part of the guide rail.
10. Tighten the clamping cover mounting nuts securely with the wrench.

Attention! This saw is not equipped with an automatic chain brake. Be extremely careful when working. At the end of the work wait for the complete stop of the saw chain.

Control before powering on

1. Inspect the product and make sure that there is no mechanical damage to the saw case, guide rail and chain.
2. Check the serviceability of the power cord, extension cord.
3. Check that the guide rail is secure.
4. Check the chain tension.
5. Check the oil level in the tank, if necessary, top up.
6. Check the chain lubrication system.

Factors such as timely and correct sharpening of the chain teeth, correct chain tension and proper operation of the mechanism have the greatest impact on the durability and efficiency of the electric chain saw typeface (guide rail, chain, drive and driven sprockets).

Chain tension adjustment

1. Disconnect the product from the power supply.
2. When adjusting the chain tension, make sure that the chain moves freely in the guide rail groove and engages correctly with the teeth of the driven sprocket. To do this, gently pull the chain by hand, moving it along the guide rail in both directions, turn off the power saw and again check the gap between the chain guide and the guide rail;
if the gap between the chain guide and the guide rail does not correspond to a factor of 1-3 mm, repeat the adjustment procedure. If you plan to operate with the product during the cold season, then loosen the chain a little.
3. Under the influence of high temperature, the chain tends to lengthen (starts to sag), which can lead to its slipping from the guide rail. Upon completion, loosen the chain tension slightly. Otherwise, during cooling, the chain will be tightened, which will lead to excessive mechanical loads on the guide rail, chain, drive and driven sprockets.
4. If you put a new chain on the guide rail, then after preliminary adjustment of the tension, turn on the electric chain saw and let it work for 5 minutes, and then finally correct the chain tension.

Chain tension test procedure

1. Disconnect the product from the power supply.
2. Gently grasp the upper branch of the chain in the middle of the guide rail or slightly closer to its toe and pull the chain from the guide rail with a force of 1.5-2 kg.
3. Measure the amount of clearance between the chain guide and the guide rail. The clearance should be within 1-3 mm, and the chain should be easily moved by hand along the guide rail groove.
4. If the gap is greater than or less than this value - adjust the chain tension.

Oil refilling

1. Thoroughly clean the surface around the oil tank filler cap and the plug itself from contamination to prevent sawdust, dust particles and dirt from entering the tank.
2. Unscrew the oil tank filler cap.
3. Pour oil into the oil tank (use an oil feeder to avoid spilling oil).
4. Tighten the oil tank filler cap tightly.
5. If oil spilled on the product case, wipe dry.

Checking the condition of the oil supply system

1. Turn on the electric chain saw and for 1 minute hold the guide rail toe at a height of 15-20 cm above any light surface, for example, over a spread sheet of paper or over wood.
2. If there are traces of oil on the surface, it means that the chain lubrication system is working.
3. If there are no traces of oil, disconnect the electric chain saw from the power supply, remove the chain and guide rail, clean the oil channel and the oil hole in the guide rail. Turn on the electric chain saw when the chain with guide rail is removed and make sure that the oil is supplied from the supply system. Only then install the chain with guide rail on the product.

Powering on and off of the electric chain saw

1. Connect the saw to a single phase mains with voltage 220 V and frequency 50 Hz.
2. Press sequentially: first the safety key, then the operation key.
3. The product can be used.

Upon completion of operation

Daily after operation it is necessary to check all nuts, bolts, screws, to examine degree of wear of the saw band, the guide rail, a sprocket, if necessary to carry out adjustment and replacement. Check the plug of the power cord, the insulation layer of the electric power cord for wear, if a fault is detected, immediately replace or repair.

Before long-term storage to clear of the remains of wood and dirt, to remove a chain and the guide rail, to grease with corrosion preventing oil, to protect the electromotor from a dust.

MAINTENANCE

1. Regularly inspect the reliability of the electric power cord, looseness of the plug, mobility and reliability of the movement of the on/off control.
2. Inspect carbon brushes for excessive wear, replace immediately if necessary to avoid poor contact of carbon brushes and the formation of too large sparks or armature burnout.
3. Check air inlet and outlet of the tool for contamination. Clean the tool from dust and oil stains.
4. Add grease in a timely manner.
5. Inspect the electric chain saw for defects.

There are two ways of check:

- Visual inspection: check the surface wear, cracks and so on.

- Check by tapping: main, tested the inside of an electric chain saw. The meaning of this method is to tap by the wooden mallet the electric chain saw. If there is no problem with the electric chain saw, the sound should be ringing. If you hear a different sound, this indicates a problem.

6. The tension between the chain and the guide rail should not be too strong. During the operation of the electric chain saw, automatic lubrication occurs (it is necessary to carefully monitor the presence of oil in the tank), thereby taking care of the guide rail and chain.

Maintenance of the tool should only be carried out by qualified personnel at authorized technical service centers.

TERMS OF WARRANTY SERVICE

1. This Warranty Certificate is the only document that confirms your right to free warranty service. Without presenting this certificate, no claims are accepted. In case of loss or damage, the warranty certificate is not restored.

2. The warranty period for the electric machine is 12 months from the date of sale, during the warranty period the service department eliminates manufacturing defects and replaces parts that have failed due to the fault of the manufacturer free of charge. In the warranty repair, an equivalent operable product is not provided. Replaceable parts become property of service providers.

P.I.T is not liable for any damage that may be caused by operation of the electric machine.

3. Only clean tool accompanied with the following duly executed documents: this Warranty Certificate, Warranty Card, with all fields filled out, bearing the stamp of the trade organization and the signature of the buyer, shall be accepted for warranty repair.

4. Warranty repair is not performed in the following cases:

- in the absence of a Warranty Certificate and a Warranty Card or their incorrect execution;
- with failure of both a rotor and a stator of the electric engine, charring or melting of primary winding of the welding machine transformer, charging or starting-charging device, with internal parts melting, burn down of electronic circuit boards;
- if a Warranty Certificate or a Warranty Card does not correspond to this electric machine or to the form established by the supplier;
- upon expiration of the warranty period;
- at attempts of opening or repair of the electric machine outside the warranty workshop; making constructive changes and lubrication of the tool during the warranty period, as evidenced, for example, by the creases on the spline parts of the fasteners of non-rotational parts.
- when using electric tools for production or other purposes connected with making a profit, as well as in case of malfunctions related to instability of the power network parameters exceeding the norms established by GOST;
- in the events of improper operation (use the electric machine for other than intended purposes, attachments to the electric machine of attachments, accessories, etc. not provided by the manufacturer);
- with mechanical damage to the case, power cord and in case of damages caused by aggressive agents and high and low temperatures, ingress of foreign objects in the ventilation grids of the electric machine, as well as in case of damage resulting from improper storage (corrosion of metal parts);
- natural wear and tear on the parts of the electric machine, as a result of long-term operation (determined on the basis of the signs of full or partial depletion of the specified mean life, great contamination, presence of rust outside and inside the electric machine, waste lubricant in the gearbox);
- use of the tool for purposes other than specified in the operating instructions.
- mechanical damages to the tool;
- in the event of damages due to non-observance of the operating conditions specified in the instruction (see chapter "Safety Precautions" of the Manual).
- damage to the product due to non-observance of the rules of storage and transportation.

Preventive maintenance of electric machines (cleaning, washing, lubrication, replacement of anthers, piston and sealing rings) during the warranty period is a paid service.

The service life of the product is determined by the current legislation and is 5 years from the date of manufacture,

The owner is notified of any possible violations of the above terms of warranty service upon completion of diagnostics in the service center.

The owner of the tool entrusts the diagnostic procedure to be conducted in the service center in his absence.

Do not operate the electric machine when there are signs of excessive heat, sparking, or noise in the gearbox. To determine the cause of the malfunction, the buyer should contact the warranty service center.

Malfunctions caused by late replacement of carbon brushes of the engine are eliminated at the expense of the buyer.

5. The warranty does not cover:

- replacement of parts (accessories and furniture), for example: accumulators, disks, knives, drills, bores, cartridges, chains, sprockets, collet clamps, buses, tensioning elements and fasteners, trim tabs, pads of grinders and tape machines, etc.
- quick-wear parts, for example: carbon brushes, drive belts, glands, protective covers, guide rollers, guides/rails, rubber seals, bearings, timing belts and wheels, shafts, brake band, ratchet wheels and starter cables, piston rings, etc. Replacing them during the warranty period is a paid service.
- power cords, in case of insulation damage, power cords are subject to mandatory replacement without the consent of the owner (paid service),
- casing of machine.

P.I.T. WARRANTY CERTIFICATE

Product Name _____

Product Number □□□□□□□□□□

Serial Number □□□□□□□□□□

Place of Seal

Sale Date _____

Trade Organization Name _____

Dear customer!

Thank you for purchasing the P.I.T. tool, and we hope that you will be satisfied with your choice. In the process of manufacturing the P.I.T. tools pass multilevel quality control, if nevertheless your product will need maintenance, please contact the authorized P.I.T. service centers.

Attention!

When buying, ask a seller to check the completeness and operability of the tool, to fill out the Warranty Certificate, the Warranty Card (the boxes shall be filled out by a seller) and to affix the seal of the trade organization in the Guarantee Certificate and the Warranty Card.

Warranty

By this Warranty Certificate, P.I.T. company guarantees the absence of defects of the production nature, both in the product itself and in its constituent components.

In the event any of the above defects are detected during the warranty period, the specialized P.I.T. service centers shall repair the product and replace the defective spare parts free of charge.

The warranty period for P.I.T. electric machines is 12 months from the date of sale.

“The warranty maintenance terms acknowledged and accepted. The operability and completeness of the product are checked in my presence. No claims on quality and appearance.”

Buyer's Signature _____ Surname (legibly) _____

Phone _____

ОБЩИЕ МЕРЫ БЕЗОПАСНОСТИ

Запрещается:

1. Включать и эксплуатировать изделие в случае болезни, в состоянии утомления, наркотического или алкогольного опьянения, а также под воздействием сильнодействующих лекарственных препаратов, снижающих скорость реакции и внимание.
2. Включать и эксплуатировать изделие лицам, не изучившим правила техники безопасности и порядка эксплуатации.
3. Включать и эксплуатировать изделие детям и подросткам моложе 18 лет, за исключением учеников старше 16 лет, обучающихся работе электропилой под пристальным присмотром инструкторов.
4. Выполнять работу в условиях ограниченной видимости, при сильном ветре, во время дождя или снега.
5. Включать и эксплуатировать изделие при наличии повреждений, с ненадежно закрепленными частями и деталями.
6. Использовать изделие в качестве рычага или лома для кантования бревен.
7. Прикасаться к электропиле мокрыми руками.
8. Вскрывать изделие и накрывать его.
9. Перед началом работы электропилой проверьте исправность: шины и цепи, рычага аварийного тормоза цепи, уповителя цепи и кнопки блокировки от случайного включения. Проверьте уровень масла в бачке и работоспособность системы его подачи, при необходимости добавьте масла или прочистите каналы его подачи. Регулярно проверяйте натяжение цепи.
10. Не используйте изделие, если повреждена изоляция сетевого кабеля и удлинителя, избегайте сращения кабелей, используйте цельные кабели соответствующей длины и сечения. Перед началом работы проверяйте состояние сетевого кабеля и удлинителя в целях выявления обрывов, повреждений, следов износа, не допускайте использование перегнутых, скрученных или поврежденных сетевого кабеля и провода удлинителя.
11. В случае использования удлинителя сетевого кабеля в бочине – полностью его размотайте, так как намотанный на бочину кабель может перегреться и воспламениться. Чтобы не допустить случайного отключения сетевого кабеля от удлинителя, используйте дополнительные крепления вилки, например разнообразные зажимы.
12. Размещайте удлинитель на безопасном расстоянии от электропилы и вне зоны возможного падения деревьев и веток.
13. Изделие подключайте только к источнику электропитания, который должным образом заземлен. Рекомендуется использовать источники электропитания с автоматическими выключателями.
14. В целях защиты от поражения электрическим током избегайте соприкосновения металлических частей электропилы с заземленными предметами. Регулярно проверяйте затяжку всего наружного крепежа, при необходимости подтяните. Все предусмотренные конструкцией составляющие и защитные элементы должны быть на штатных местах.
15. Во время работы всегда надевайте защитную одежду, изготовленную из прочного материала, обеспечивающую надежную защиту. Рабочая одежда должна не стеснять движений, но при этом плотно прилегать к телу, чтобы избежать возможности попасть в движущиеся части электропилы или зацепиться за обрабатываемый материал. Всегда используйте средства защиты лица и глаз (вентилируемую маску, очки), а также органов слуха (наушники, беруши). Надевайте прочные защитные сапоги или ботинки с закрытым носком и с не скользящей подошвой. Для защиты рук используйте плотные перчатки или рукавицы. Обязательно надевайте плотный головной убор, а осуществляя валку деревьев и обрезание ветвей, позаботьтесь о специальной защитной каске.
16. Не работайте электропилой с затупившейся цепью, так как при этом повышается вероятность получения травмы.
17. Не допускайте присутствия посторонних людей и животных в зоне проведения работ.
18. Не перегружайте электродвигатель, чередуйте работу с отдыхом. По возможности воздержитесь от работы в одиночку.
19. Во время заправки масла и эксплуатации изделия не допускайте попадания масла на землю и в стоки воды. Если масло пролилось на изделие, вытрите насухо.
20. После заправки плотно закрутите крышку масляного бака, проверьте, нет ли протечки. В случае утечки масла устраните ее до включения электродвигателя, так как это может привести к пожару.
21. Не заправляйте масло, если электродвигатель работает. Если вы не пользуетесь электропилой на протяжении длительного времени, слейте масло из бачка.
22. Не работайте в непосредственной близости (менее 5 метров) от местонахождения легковоспламеняющихся материалов.
23. Прежде чем включить электропилу убедитесь в том, что шина надежно закреплена и не соприкасается с посторонними предметами.
24. Во время работы крепко удерживайте электропилу в обеих руках, никогда не пытайтесь пилить, держа изделие одной рукой.
25. Никогда не используйте изделие для расклинивания листового металла, пластмассы и других недревесных материалов.
26. Старайтесь избегать пиления кустарников, поскольку мелкие ветви могут быть захвачены цепью и отброшены в вашем направлении – опасность получения травмы.
27. В случае возникновения каких-либо отклонений в нормальной работе изделия, немедленно остановите двигатель, обесточьте электропилу, выясните и устраните причину.
28. Постоянно следите за тем, чтобы вентиляционные отверстия на корпусе электропилы не были закрыты или забиты опилками и грязью. В противном случае это может привести к преждевременному выходу изделия из строя.
29. Очищайте поверхности электропилы от грязи или опилок сразу же по окончании работы. Изделие должно всегда содержаться в сухом и чистом виде, без присутствия на нем пятен масла, грязи и пыли.
30. Во время транспортировки электропилы надевайте на шину защитный чехол.

Опасность отдачи и «обратного удара»

- Не включайте электропилу, когда цепь находится в соприкосновении с каким-либо предметом.
- Не допускайте случайного соприкосновения носка шины со стволами деревьев и ветками.
- В случае если в процессе работы произошло соприкосновение цепи с камнями, металлом и другими твердыми посторонними предметами, немедленно остановите двигатель, обесточьте электропилу и проведите осмотр шины и цепи.
- В процессе работы всегда держите в поле зрения шину работающей пилы, особенно носок шины.
- Шину к массиву древесины подносите только тогда, когда электропила находится во включенном состоянии.
- Сквозные отверстия носком шины делайте только в том случае, если вы хорошо обучены этому делу.
- При замене износившихся элементов электропилы (шина, цепь), используйте только рекомендованные комплектующие.

РАСШИФРОВКА

ТОРГОВОЙ МАРКИ P.I.T.

P.I.T.[®] Progressive Innovative Technology

(Прогрессивные Инновационные Технологии)

В настоящее время под маркой P.I.T. выпускается механическое и электрическое оборудование 10 видов.

По объему продаж **РКЕ405-D1** занимает одно из лидирующих мест. Обозначение данной модели электрической цепной пилы имеет следующее значение.

РКЕ405-D1

Р – торговая марка P.I.T.

КЕ – электрическая цепная пила

405 – длина направляющей шины 405 мм

D1 – серия модификации



МОДЕЛЬ РКЕ405-D1

НАЗНАЧЕНИЕ

Цепная электрическая пила **РКЕ405-D1** предназначена для легкой и быстрой распиловки свежей, сухой и мокрой древесины, древесно-стружечных плит, заготовки дров, и работ в саду любого уровня сложности.

Важным преимуществом цепной электропилы в сравнении с бензопилой является отсутствие выхлопных газов и паров бензина, благодаря чему электропилой можно работать даже в непроветриваемых помещениях.

ПРИНЦИП РАБОТЫ

Вращение электродвигателя передается на шестерню, которая вращает выходной вал.

С торца выходного вала находится цепное колесо, которое, в свою очередь, приводит в движение полотно пилы и осуществляется процесс распила.

ТЕХНИЧЕСКИЕ ХАРАКТЕРИСТИКИ

	РКЕ405-D1
Номинальное напряжение	220 В
Число оборотов на холостом ходу	5000 об/мин
Длина шины	405 мм
Скорость вращения на холостом ходу	13,5 м/с
Номинальная выходная мощность	1600 Вт
Объем масляного бачка	0,2 л
Вес	4,5 кг

ФУНКЦИОНАЛЬНЫЕ ВОЗМОЖНОСТИ И ОСОБЕННОСТИ ЭЛЕКТРИЧЕСКОЙ ЦЕПНОЙ ПИЛЫ

Функциональные возможности:

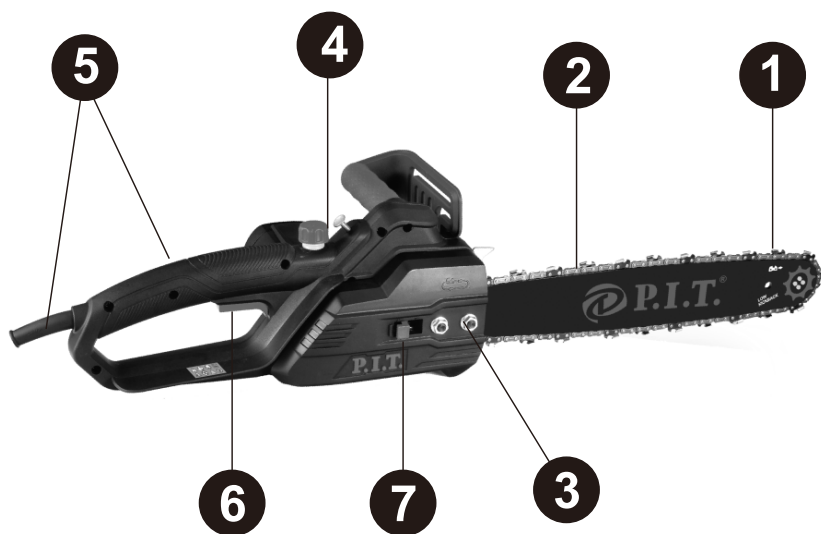
Предназначена для распиливания различных видов круглого леса.

Особенности:

Используется система быстрой установки и закрепления цепи, механизма направляющей шины, что значительно повышает эффективность работы.

Низкий уровень шума во время эксплуатации и высокая эффективность резки.

УСТРОЙСТВО ЭЛЕКТРИЧЕСКОЙ ЦЕПНОЙ ПИЛЫ



1 Цепь


имеет хорошую прочность, остро заточенные режущие зубья. На поверхности цепи указано направление движения. При каждом использовании цепи необходимо обращать внимание на направление вращения цепи.

2 Направляющая шина


предназначена для вращения цепи, имеет хорошие характеристики износоустойчивости, так же быстро устанавливается и закрепляется, что повышает эффективность работы. На головной части направляющей шины имеется отметка, указывающая место установки цепи. В соответствии с отметкой устанавливать цепь.

3 Корпус и электродвигатель

Ротор.

Ротор является одной из ключевых деталей электрической цепной пилы. Конструкция ротора простая, что обеспечивает надежность в работе, удобство при эксплуатации и обслуживании.


Статор.

Является одной из высококачественных деталей электрической цепной пилы. Данная деталь является зафиксированной деталью электрической цепной пилы, создавая вращающееся магнитное поле. Статор состоит из металлического сердечника обмотки гнездо.


Шестеренки большая и малая.

Шестеренки являются деталями класса люкс электрической цепной пилы
 Шестеренки имеют следующие особенности: мощность передачи, относительно широкий диапазон окружной скорости, высокая эффективность привода. Конструкция привода компактная, занимает мало места.

Подшипники:

класса люкс, устойчивые к высоким температурам.

Примечание:

Электродвигатель переменного тока состоит из статора и ротора. После подключения к сети между магнитными полюсами статора и под действием взаимного притягивания магнитных полей статора и ротора начинает вращаться электродвигатель.


Угольные щетки.

Для обеспечения нормальной работы электрической цепной пилы требуются отличные рабочие характеристики угольных щеток, которые проявляются:

- а. в достаточно быстром формировании на поверхности коммутатора и коллекторного кольца равномерного, соразмерного, стабильного слоя оксидной пленки.
- б. при длительном сроке эксплуатации угольных щеток, а также отсутствии износа коммутатора.
- в. хорошими свойствами концентрации потока и коммутации, что позволяет удерживать искры в допустимом диапазоне при низком расходе энергии.
- г. в отсутствии перегрева, низком уровне шума, в надежности сборки, в отсутствии повреждений при работе угольных щеток.

4 Заливная горловина


Залитое внутрь масло смазывает во время работы цепь, предотвращая перегрев направляющей шины.

Подача масла осуществляется в ручном режиме.

Для этого в процессе пи-

ления необходимо периодически нажимать кнопку подачи масла, расположенную по соседству.

5 Шнур сетевой и рукоятка

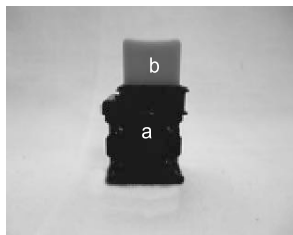
Шнур сетевой.

состоит из внешнего резинового слоя, обеспечивая высокий уровень безопасности и устойчивость к высоким температурам.

Рукоятки.

- Основная рукоятка
- Вспомогательная рукоятка

оснащена мягкими накладками, для комфортной работы пользователя.

6 Клавиши включения на рукоятке


Две клавиши

включения –

а) клавиша

безопасности

б) клавиша

эксплуатации

Во время работы

сначала нажать

к л а в и ш у

безопасности, а затем уже клавишу эксплуатации. Клавиша безопасности предотвращает возникновение аварии по причине потери контроля над инструментом.

7 Натяжитель цепи


Пила оборудована механизмом автоматической натяжки цепи. Для установки цепи установите шину и цепь на свои места. Возьмите боковую крышку и отведите рычаг

натяжителя вправо. После этого установите крышку на место. Во время установки крышки должен сработать натяжитель и рычаг перейти в левое положение. Немного притяните крышку болтами и проверьте натяжение цепи. Цепь должна оттягиваться не более 4–6 мм (видны хвостовики не более 3 зубьев цепи). Если натяжка достаточна, то затяните болты полностью. Если натяжки недостаточно, то повторите все операции заново предварительно выдвинув шину еще вправо.

ПРАВИЛА ЭКСПЛУАТАЦИИ

Электрическая цепная пила должна соответствовать государственным положениям.

Оператор должен хорошо изучить характеристики и способы эксплуатации электрической цепной пилы, кроме того, должен осуществлять эксплуатацию, обслуживание и ремонт в соответствии с положениями инструкции по эксплуатации.

Сборка изделия

1. Внимательно ознакомьтесь с данным руководством по эксплуатации.
2. Достаньте из упаковочной коробки изделие и все его составляющие.
3. Установите электропилу на ровной поверхности.
4. Открутите ключом гайки, фиксирующие прижимную крышку шины. Аккуратно снимите прижимную крышку.
5. Введите цепь в зацепление с ведомой звездочкой, расположенной на носке шины. Обратите внимание на правильное направление движения цепи.
6. Наденьте шину с цепью на направляющие шпильки (длинным пазом), чтобы штифт натяжителя цепи точно совпал с натяжным отверстием шины.
7. Наденьте цепь на ведущую звездочку и вставьте в паз шины хвостовики цепи. Проведение этой операции начните с верхней ветви шины. Сдвиньте шину немного вправо, чтобы цепь слегка натянулась.
8. Наденьте прижимную крышку и закрутите гайки, не затягивая их.
9. Натяните цепь. Натягивайте цепь до тех пор, пока она плотно не зафиксируется в нижней части шины.
10. Надежно затяните при помощи ключа крепежные гайки прижимной крышки.

Внимание! Данная пила не оснащена автоматическим тормозом цепи. При работе будьте предельно внимательны. По окончании работ дождитесь полной остановки пильной цепи.

Контроль перед включением

1. Осмотрите изделие и убедитесь в отсутствии механических повреждений корпуса электропилы, шины и цепи.
2. Проверьте исправность сетевого кабеля, удлинителя.
3. Проверьте надежность крепления шины.
4. Проверьте натяжение цепи.
5. Проверьте уровень масла в бачке, в случае необходимости долейте до нормы.
6. Проверьте систему смазки цепи.

Наибольшее влияние на долговечность и эффективность работы пильной гарнитуры (шины, цепи, ведущей и ведомой звездочек) электропилы оказывают факторы – своевременная и правильная заточка зубьев цепи, правильное натяжение цепи и исправная работа механизма.

Регулировка натяжения цепи

1. Отключите изделие от источника электропитания.
2. Осуществив регулировку натяжения цепи, убедитесь, что цепь свободно движется в пазе шины и правильно сцепляется с зубьями ведомой звездочки. Для этого аккуратно потяните цепь от руки, перемещая ее по шине в обоих направлениях. Отключите электропилу и вновь проверьте величину зазора между направляющей цепи и шиной; если зазор между направляющей цепи и шиной не соответствует показателю 1 –3 мм, повторите процедуру регулировки. Если Вы планируете работать с изделием в холодное время года, то немного ослабьте цепь.
3. Под воздействием высокой температуры цепь имеет свойство удлиняться (начинает провисать), что может привести к соскальзыванию ее с шины. По завершении работы немного ослабьте натяжение цепи. В противном случае при остывании цепь натянется, что приведет к чрезмерным механическим нагрузкам на шину, цепь, ведущую и ведомую звездочки.
4. Если Вы надели на шину новую цепь, то после предварительной регулировки натяжения включите электропилу и дайте поработать ей на протяжении 5 минут, а затем окончательно скорректируйте натяжение цепи.

Порядок проверки натяжения цепи

1. Отключите изделие от источника электропитания.
2. Аккуратно возьмитесь за верхнюю ветвь цепи в середине шины или чуть ближе к ее носку и оттяните цепь от шины с усилием 1,5–2 кг.
3. Измерьте величину зазора между направляющей цепи и шиной. Зазор должен быть в пределах 1–3 мм, а сама цепь должна легко перемещаться от руки вдоль паза шины.
4. Если зазор больше или меньше данного показателя – отрегулируйте натяжение цепи.

Заправка маслом

1. Тщательно очистите поверхность вокруг пробки заливной горловины масляного бака и саму пробку от загрязнений, чтобы не допустить попадания опилок, частиц пыли и грязи вовнутрь бака.
2. Открутите пробку заливной горловины масляного бака.
3. Налейте в масляный бак масло (используйте масленку, чтобы не пролить масло).
4. Плотно закрутите пробку заливной горловины масляного бака.
5. Если масло пролилось на корпус изделия, вытрите насухо.

Проверка исправности система подачи масла

1. Включите электропилу и на протяжении 1 минуты удерживайте носок шины на высоте 15–20 см над любой светлой поверхностью, к примеру, над расстеленным листом бумаги или над древесиной.
2. Если на поверхности появились следы масла, значит, система смазки цепи исправна.
3. Если следы масла не наблюдаются, отключите электропилу от источника электропитания, снимите шину с цепью, прочистите масляный канал и масляное отверстие в шине. Включите электропилу при снятой шине с цепью и убедитесь, что масло из системы подачи поступает. Только после этого установите шину с цепью на изделие.

Включение и отключение электропилы

1. Подключите электропилу к однофазной сети переменного тока, напряжением 220 В и частотой 50 Гц.
2. Нажмите последовательно: сначала клавишу безопасности, затем клавишу эксплуатации.
3. Изделие можно использовать.

При завершении работы

Ежедневно после работы необходимо проверить все гайки, болты, винты, осмотреть степень износа полотна пилы, направляющей шины, цепного колеса, при необходимости осуществить регулировку и замену.
Проверить вилку кабеля питания, изоляционный слой электрического кабеля питания на предмет износа, при обнаружении неисправности немедленно заменить или восстановить.
Перед длительным хранением очистить от остатков древесины и грязи, снять цепь и направляющую шину, смазать антикоррозийным маслом, электродвигатель защитить от пыли.

ТЕХНИЧЕСКОЕ ОБСЛУЖИВАНИЕ




1. Регулярно осматривать надежность соединения кабеля электрического питания, расшатанность вилки, подвижность и надежность движения клавиши включения.
 2. Осматривать угольные щетки на предмет чрезмерного износа, при необходимости немедленно заменить, чтобы избежать плохого контакта угольных щеток и образования слишком больших искр или перегорания якоря.
 3. Проверять воздухопускное и воздуховыпускное отверстия инструмента на предмет засоренности. Очищать инструмент от пыли и масляных пятен.
 4. Своевременно добавлять смазку.
 5. Осматривать электрическую цепную пилу на предмет дефектов
- Существует два способа проверки:
- Визуальный осмотр: проверить износ поверхности, наличие трещин и так далее.
 - Проверка простукиванием: главным образом, так проверяются внутренности электрической цепной пилы. Смысл этого способа заключается в простукивании деревянной колотушкой электрической цепной пилы. Если с электрической цепной пилой проблем нет, то звук должен быть звонкий. Если слышен другой звук, то это свидетельствует о наличии проблемы.
6. Натяжение между цепью и направляющей шиной не должно быть слишком сильным. Во время работы электрической цепной пилы происходит автоматическая смазка (необходимо внимательно следить за наличием масла в баке), тем самым идет уход за направляющей шиной и цепью.

Обслуживание инструмента должно быть выполнено только квалифицированным персоналом уполномоченных сервисных центров.

УСЛОВИЯ ГАРАНТИЙНОГО ОБСЛУЖИВАНИЯ

1. Настоящее гарантийное свидетельство является единственным документом, подтверждающим Ваше право на бесплатное гарантийное обслуживание. Без предъявления данного свидетельства претензии не принимаются. В случае утери или порчи гарантийное свидетельство не восстанавливается.
 2. Гарантийный срок на электроинструмент составляет 12 месяцев со дня продажи, в течение гарантийного срока сервисная служба бесплатно устраняет производственные дефекты и производит замену деталей, вышедших из строя по вине изготовителя. На период гарантийного ремонта эквивалентный исправный инструмент не предоставляется. Заменяемые детали переходят в собственность служб сервиса. Компания P.I.T. не несет ответственности за вред, который может быть причинен при работе с электроинструментом.
 3. В гарантийный ремонт инструмент принимается в чистом виде, при обязательном наличии надлежащим образом оформленных документов: настоящего гарантийного свидетельства, гарантийного талона, с полностью заполненными полями, штампом торговой организации и подписью покупателя.
 4. Гарантийный ремонт не производится в следующих случаях:
 - при отсутствии гарантийного свидетельства и гарантийного талона или неправильном их оформлении;
 - при совместном выходе из строя якоря и статора электродвигателя, при обугливание или оплавлении первичной обмотки трансформатора сварочного аппарата, зарядного или пуско-зарядного устройства, при оплавлении внутренних деталей, прожиге электронных плат;
 - если гарантийное свидетельство или талон не принадлежат данному электроинструменту или не соответствует установленному поставщиком образцу;
 - по истечении срока гарантии;
 - при попытках самостоятельного вскрытия или ремонта электроинструмента вне гарантийной мастерской; внесения конструктивных изменений и смазки инструмента в гарантийный период, о чем свидетельствуют, например, заломы на шлифовых частях крепежа корпусных деталей.
 - при использовании электроинструмента в производственных или иных целях, связанных с получением прибыли, а также – при возникновении неисправностей связанных с нестабильностью параметров электросети, превышающих нормы, установленные ГОСТ;
 - при неправильной эксплуатации (использование электроинструмента не по назначению, установки на электроинструмент не предназначенных заводом-изготовителем насадок, дополнительных приспособлений и т.п.;
 - при механических повреждениях корпуса, сетевого шнура и при повреждениях, вызванных воздействиями агрессивных средств и высоких и низких температур, попадании инородных предметов в вентиляционные решетки электроинструмента, а также при повреждениях, наступивших в результате неправильного хранения(коррозия металлических частей);
 - при естественном износе деталей электроинструмента, в результате длительной эксплуатации(определяется по признакам полной или частичной выработки ресурса, сильного загрязнения, ржавчины снаружи и внутри электроинструмента, отработанной смазки в редукторе);
 - использование инструмента не по назначению, указанному в инструкции по эксплуатации.
 - при механических повреждениях инструмента;
 - при возникновении повреждений в связи с несоблюдением предусмотренных инструкцией условий эксплуатации(см. главу Указание по технике безопасности в инструкции).
 - повреждение изделия вследствие несоблюдения правил хранения и транспортировки.
- Профилактическое обслуживание электроинструмента (чистка, промывка, смазка, замена пыльников, поршневых и уплотнительных колец) в гарантийный период является платной услугой.
- Срок службы изделия установлен в соответствии с действующим законодательством и составляет 5 лет со дня изготовления.
- О возможных нарушениях, изложенных выше условий гарантийного обслуживания, владельцу сообщается после проведения диагностики в сервисном центре.
- Владелец инструмента доверяет проведение диагностики в сервисном центре в свое отсутствие.
- Запрещается эксплуатация электроинструмента при проявлении признаков повышенного нагрева, искрения, а также шума в редукторной части. Для выяснения причин неисправности покупателю следует обратиться в гарантийную мастерскую.
- Неисправности, вызванные несвоевременной заменой угольных щеток двигателя, устраняются за счет покупателя.
5. Гарантия не распространяется на:
 - сменные принадлежности (аккумуляторы и оснастка), например: аккумуляторы, диски, ножи, сверла, буры, патроны, цепи, звездочки, кангровые зажимы, шины, элементы натяжения и крепления, головки триммеров, подошвы шлифовальных и ленточных машин, фильтры и т.п.
 - быстроизнашивающиеся детали, например: угольные щетки, приводные ремни, сальники, защитные кожухи, направляющие ролики, направляющие, резиновые уплотнения, подшипники, зубчатые, ремни и колеса, стволы, ленты тормоза, храповики и тросы стартеров, поршневые кольца и т.п. Замена их в течении гарантийного срока является платной услугой.
 - шнуры питания, в случае повреждения изоляции, шнуры питания подлежат обязательной замене без согласия владельца (услуга платная).
 - корпуса инструмента.

P.I.T. WARRANTY CARD

Name _____ Serial Number _____ Sale Date _____ 201__ Date of Receipt from Repair _____ 201__	<div style="text-align: center;"></div> Name _____ Serial Number _____ Sale Date _____ 201__ (Filled out by a Seller) WARRANTY REPAIR CARD Date of Acceptance for Repair _____ 201__ Application for Repair _____ Customer _____ Phone (Address) _____ Cause of Application _____ Date of Receipt from Repair _____ 201__ The Tool is checked in my presence _____ (The Order shall be performed in a Service Center) (Signature)
Name _____ Serial Number _____ Sale Date _____ 201__ Date of Receipt from Repair _____ 201__	<div style="text-align: center;"></div> Name _____ Serial Number _____ Sale Date _____ 201__ (Filled out by a Seller) WARRANTY REPAIR CARD Date of Acceptance for Repair _____ 201__ Application for Repair _____ Customer _____ Phone (Address) _____ Cause of Application _____ Date of Receipt from Repair _____ 201__ The Tool is checked in my presence _____ (The Order shall be performed in a Service Center) (Signature)
Name _____ Serial Number _____ Sale Date _____ 201__ Date of Receipt from Repair _____ 201__	<div style="text-align: center;"></div> Name _____ Serial Number _____ Sale Date _____ 201__ (Filled out by a Seller) WARRANTY REPAIR CARD Date of Acceptance for Repair _____ 201__ Application for Repair _____ Customer _____ Phone (Address) _____ Cause of Application _____ Date of Receipt from Repair _____ 201__ The Tool is checked in my presence _____ (The Order shall be performed in a Service Center) (Signature)

ГАРАНТИЙНЫЙ ТАЛОН P.I.T.

Наименование _____
Серийный номер _____
Дата продажи «__» _____ 201__ г.
Дата получения из ремонта «__» _____ 201__ г.Наименование _____
Серийный номер _____ М.П.
Дата продажи «__» _____ 201__ г.
(Заполняется продавцом)КАРТА ГАРАНТИЙНОГО РЕМОНТА __
Дата приема в ремонт __ _____ 201__ г.
Заявка на ремонт _____
Заказчик _____
Телефон(адрес) _____
Причина обращения _____ М.П.
Дата получения из ремонта __ _____ 201__ г.
Инструмент проверен в моем присутствии _____
(Заказ заполняется в сервисном центре) (подпись)Наименование _____
Серийный номер _____
Дата продажи «__» _____ 201__ г.
Дата получения из ремонта «__» _____ 201__ г.Наименование _____
Серийный номер _____ М.П.
Дата продажи «__» _____ 201__ г.
(Заполняется продавцом)КАРТА ГАРАНТИЙНОГО РЕМОНТА __
Дата приема в ремонт __ _____ 201__ г.
Заявка на ремонт _____
Заказчик _____
Телефон(адрес) _____
Причина обращения _____ М.П.
Дата получения из ремонта __ _____ 201__ г.
Инструмент проверен в моем присутствии _____
(Заказ заполняется в сервисном центре) (подпись)Наименование _____
Серийный номер _____
Дата продажи «__» _____ 201__ г.
Дата получения из ремонта «__» _____ 201__ г.Наименование _____
Серийный номер _____ М.П.
Дата продажи «__» _____ 201__ г.
(Заполняется продавцом)КАРТА ГАРАНТИЙНОГО РЕМОНТА __
Дата приема в ремонт __ _____ 201__ г.
Заявка на ремонт _____
Заказчик _____
Телефон(адрес) _____
Причина обращения _____ М.П.
Дата получения из ремонта __ _____ 201__ г.
Инструмент проверен в моем присутствии _____
(Заказ заполняется в сервисном центре) (подпись)

ГАРАНТИЙНОЕ СВИДЕТЕЛЬСТВО НА ИНСТРУМЕНТ P.I.T.

Наименование изделия _____
Артикул изделия
Серийный номер
Дата продажи «__» _____
Наименование торговой организации _____

М.П.

Уважаемый покупатель!

Благодарим Вас за покупку инструмента P.I.T. и надеемся, что Вы останетесь довольны своим выбором. В процессе производства инструменты P.I.T. проходят многоуровневый контроль качества, если тем не менее Ваше изделие будет нуждаться в обслуживании, просим Вас обращаться в авторизованные сервисные центры P.I.T.

Внимание!

При покупке требуйте у продавца проверки комплектности и работоспособности инструмента, заполнение гарантийного свидетельства, гарантийного талона (графы заполняются продавцом) и простановки печати торговой организации в гарантийном свидетельстве и гарантийном талоне.

Гарантия

На основании данного гарантийного свидетельства компания P.I.T. гарантирует отсутствие дефектов производственного характера, как в самом изделии, так и в составляющих его компонентах.

Если в течении гарантийного срока в Вашем изделии тем не менее обнаружатся указанные дефекты, специализированные сервисные центры P.I.T. бесплатно отремонтируют изделие и заменят дефектные запасные части.

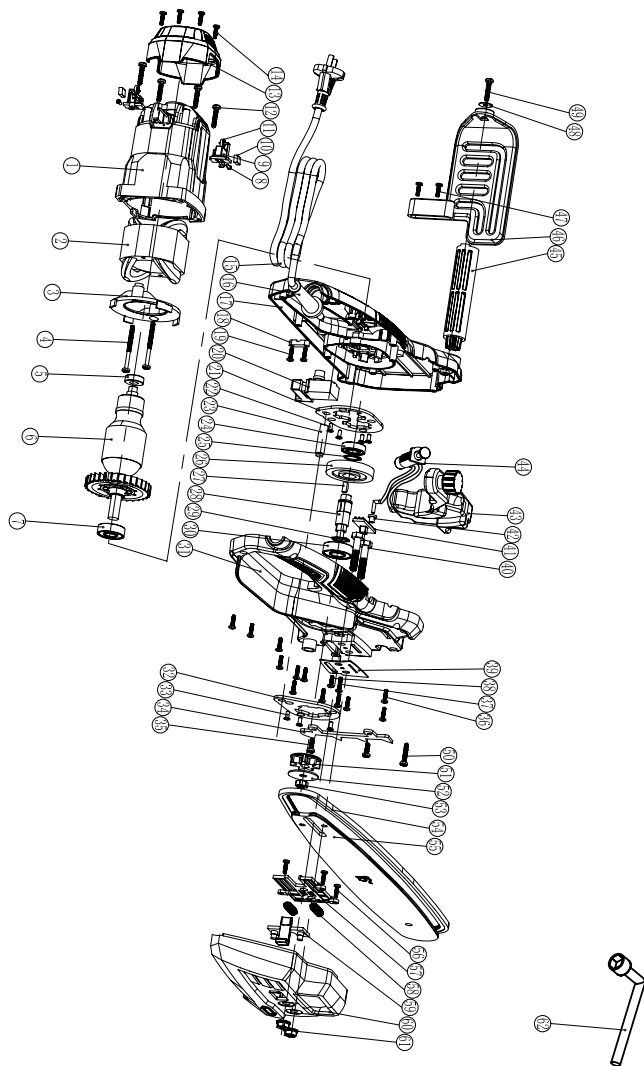
Гарантийный срок на электроинструменты P.I.T. составляет 12 месяцев со дня продажи.

«С условиями гарантийного обслуживания ознакомлен(а). Работоспособность и комплектность изделия проверены в моем присутствии. Претензий к качеству и внешнему виду не имею».

Подпись покупателя _____ Фамилия(разборчиво) _____

Телефон _____

РКЕ405-D1





Поставщик: Китай Xinjiang Longbo Industrial Co., Ltd.
Адрес производства: Rm. 602, 6th Floor, No. 531, Weixing Road, Economic And Technological Development Zone, Urumqi, Xinjiang, China
Уполномоченный представитель: ООО "Турбо-Тулс"
Юридический адрес: 614012, Пермский КРАЙ, г. Пермь, ул. Норильская, д. 8

Сделано в КНР/Made in China



www.pit-tools.com