



P.I.T.[®]

Progressive Innovational Technology

EN PRODUCT PASSPORT
USER'S MANUAL

RU ПАСПОРТ ИЗДЕЛИЯ
ИНСТРУКЦИЯ ПОЛЬЗОВАТЕЛЯ

GASOLINE CHAIN SAW **ПИЛА ЦЕПНАЯ БЕНЗИНОВАЯ**



GCS45-C3

GCS52-C3

GCS52-C4

PROGRESSIVE INNOVATIONAL TECHNOLOGY

ПРОГРЕССИВНЫЕ ИННОВАЦИОННЫЕ ТЕХНОЛОГИИ

TM!by
ONLINE STORE

<https://tm.by>
Интернет-магазин

GENERAL SAFETY PRECAUTIONS

1. Before using the gasoline chain saw read the operation manual carefully, it is included to the set of the gasoline chain saw.
2. Do not use gasoline chain saw if you are tired, under the influence of alcohol or drugs, with illness and unwellness. Gasoline chain saw is a dangerous tool. You should be rested and physically vigorous.
3. Use special boots, goggles, headwear and other overalls.
4. Hold the saw with both hands. Hold the saw as intended. A right on grip will help you keep control of the saw in case of backblow or other unexpected jumps.
5. With your left hand, hold the saw by the support front arc next to the brake, with your right hand grasp the handle on the gas control side – even if you are left-handed.
5. Keep hands dry clean and without oil or fuel mixture.
6. Sawing standing slightly to the side. So you can avoid injury as a result of a back impact, if it happens.
7. Carry the saw with a clamped chain brake in the direction of the silencer away from oneself. Rather when moving to another place of sawing, damp down the saw. When transporting the gasoline chain saw, always use the appropriate scabbard.
8. Try not to saw at arm's length and above the shoulder height.
9. Saw firmly standing on the supporting surface. Do not use gasoline chain saw on a tree or on a stairs if you do not have special skills.
10. To avoid the risk of backblow, make sure the area in which you are sawing is free of obstacles. Do not allow the saw chain to come into contact with nail and wire residues or hard concrete surfaces.
11. If felling a tree before the tree falls, make sure you have a safe place and a plan for a quick retreat.
12. Be careful in the case of the tree fall, the saw in the side of the saw cut closes and clamps the saw. In this case, a strong drive to pull the tire component, letting the chain to rotate freely, i.e. to remove the brakes.
13. Be extremely careful when cutting small bushes and seedlings. During sawing the bush, the pressure on the ends of the brush woods creates a saw; the pressure disappears and the saw by inertia goes in the direction of sawing. Keep this in mind to avoid damages of the extremities.
14. Do not allow others to stand in the area of the gasoline chain saw. Keep animals at a distance.
15. Keep the saw side away from all parts of the body when the engine is running.
16. Do not use the gasoline chain saw if it is damaged, improperly adjusted or not fully assembled. In our workshop there was a sad case of serious injury, when the loose clutch flew at full speed when testing a brand new inexperienced master and break through the head of a neighboring master. Fortunately, the master is already all right. Make sure the sawing chain stops moving when trigger control of the flap valve is released.
17. If you are not aware about the technical conditions of your saw, please consult with specialist.
18. Follow the maintenance instructions of the gasoline chain saw manufacturer. If there is no instruction, please consult with your dealer or repair shop for advice.
19. Use sawing chains only specified by the manufacturer or equivalent. Sawing chain standards affect not only the performance, but also the safety of the backblow, as well as maintaining the proper tension of the saw chain. A loose chain can jump off the tire component and injure the operator.
20. Maintenance and repair of the gasoline chain saw, except for the points mentioned in the maintenance instructions, shall be carried out by qualified specialists. Improper maintenance may cause to damage the saw and pose the risk to the user.

EXPLANATION OF P.I.T. TRADEMARK

P.I.T. Progressive Innovational Technology

Currently, 10 kinds of mechanical and electrical equipment are produced under the P.I.T. trademark. In terms of sales, gasoline chain saws occupy one of the leading positions.

Each letter and number in the designation of the model of P.I.T gasoline chain saw has the meaning.

For example, **GCS45-C3**

GCS – gasoline chain saw

45 – engine volume

C3 – modification series

INTENDED USE

Gasoline chain saw. Other names: "petrol chain saw" or "powersaw". The saw is used for felling and cross-cutting. The model is easy for transportation and easy for handle.

PRINCIPLE OF OPERATION

The gasoline chain saw has the following operation principle:

- filling the cylinder with a fuel mixture
- its compression
- ignition of the mixture
- expansion of gases and cleaning of cylinders from gases

PRODUCT SPECIFICATIONS

	GCS45-C3	GCS52-C3	GCS52-C4
Engine capacity	46 cc	53 cc	53 cc
Length of guide tire component	400mm	450mm	400mm
Tank capacity	550ml	550ml	550ml
Oil tank capacity	260mm	260mm	260mm
No-load speed	8500 r/min	8500 r/min	8500 r/min
Rated power output	1800 W	2000 W	2000 W
Weight	7.5 kg	7.8 kg	7.5 kg

DECRYPTING THE DATE OF PRODUCTION OF THE PRODUCT

Date of manufacture of the product is encrypted in the serial number printed on the tool body. The first 2 digits indicate the year of manufacture, the next 2 digits - month and the following two digits – day.

No.

17	07	30	0395
----	----	----	------

Year month day

FUNCTIONAL CAPABILITIES AND FEATURES OF THE GASOLINE CHAIN SAW

Functional Capabilities:

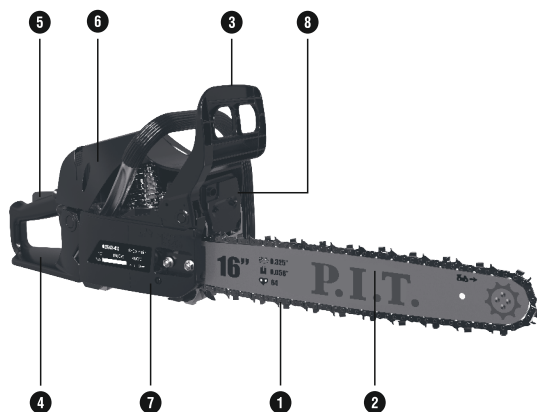
The products have high power, high efficiency of sawing, low cost of felling and many other advantages. Gasoline chain saw has already become the main technique for forest harvesting by hand method.

As an antivibration system gasoline chain saw are springs and high-strength rubber shock absorbers. The shape of the sprocket is the right gear, which makes the installation of the chain simple and convenient. In this regard, the functionality of the saw is suitable for the following jobs: felling, forest harvesting, crosscutting, sawing of the cross-ties for railroads.

Features:

1. The new design of the saw case is streamlined, which makes it comfortable and reliable to handle.
2. Comfortable handles of ergonomical shape.
3. Low and plane noise level during operation.
4. The on/off control of the self-blocking type, which provides additional safety during operation.
5. Anti intermittent braking system, which makes the operation quiet and safe.
6. Automatic lubrication system, which significantly increases the efficiency.
7. Carburetor of high quality, due to which the tool life is prolonged.
8. It has an easy start, is equipped with a pressure reducing valve, which reduces fuel consumption and time when starting the tool.

GASOLINE CHAIN SAW ASSEMBLY



GCS45-C3

1.CHAIN

has good strength, sharply sharpened cutting teeth. The motion direction is indicated on the chain surface. With each use of the chain, attention must be paid to the chain rotation direction.



2.SAW TIRE COMPONENT

Used to rotate the chain. The current guide tire component has good wear proof characteristics.



3.BRAKE ASSEMBLY

It is designed to instantly stop the chain during a reverse impact, which sometimes occurs when a rotating chain (especially the end of the tire component) is touched quickly or accidentally to a tree. The tire component thus receives a sharp impact, throwing it upwards or to the side.



4.MAIN HANDLE

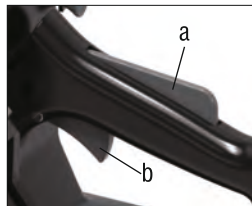
Handle with the anti-slip effect, which creates comfort for the hands during the tool operation.

5.SAFETY KEY

divided into upper and lower, keys:

- a)security key
- b)operation key

To start work, you need to press the security key, and then the operation key. The safety key provides control during operation of the gasoline chain saw, prevents the occurrence of an accident in the event of control loss of the tool.



The gasoline chainsaw body is made of high quality plastic that is resistant to damage



7.TENSION CHAIN SCREW

is located on the sprocket and the guide tire component cover. Serves for tensioning / loosening the chain.



8.SILENCER

serves to exhaust the burnt gases to the atmosphere and reduce the noise level during operation.



RULES OF OPERATION

In the following situations, you must immediately turn off the tool.

1. When the saw chain touches another object (it is necessary to inspect the damage before restarting)
2. During operation, there were extraneous noise and unusual vibration (it is necessary to inspect and troubleshoot)
3. The operator leaves the work place of the gasoline chain saw
4. if a tree trunk or log shift is detected

Persons not allowed to work with gasoline chain saw

1. Minors and older persons
2. Persons with poor health and people with disabilities
3. Persons under influence of alcohol and narcotic drugs

Before operating, pay attention to the following points:

1. During operation it is necessary to be in safe footwear and overalls (union suit, working clothes)
2. Carefully inspect the degree of wear of gasoline chain saw, chain, guide tire component, the tension degree of the chain, if necessary adjust or replace
3. Check the operation of the on/off control
4. Completely inspect the work place: remove stones, metal objects, brush woods and other wastes
5. Before starting operation, determine the path of safe departure from work to a safe area

During operation:

1. The work is not allowed if the distance from the trunk to the conveyor is less than 1.5 meters
3. Before the crosscutting, first run the gasoline chain saw and work for 1 minute, to check the stroke
4. During start-up and operation, hands and feet should not be located near rotating mechanisms, especially from below and above the chain
5. Keep the gasoline chain saw under both hands
6. During work stand stable, it is forbidden to work standing under a tree trunk or log, as well as on a log
7. Eliminating the saw jamming must pay special attention to the safety of helping people
8. During operation, it is necessary to lubricate and cool the saw in a timely manner
9. Before the log is sawn off, pay attention to the direction of movement of the cut piece, after completing sawing, quickly raise the saw

In the following situations, do not operate the gasoline chain saw:

1. Proximity of people
2. Until the person who helped with the crosscutting has gone to the safe zone
3. In the working area, where the tree trunks are folded into unstable piles
4. Insufficient lighting
5. In open areas during rainy days
6. With a wind that a force greater than 5 balls
7. During a thunderstorm
8. Without the protective mechanism of an open chain, without a protective mechanism against shocks or in case of malfunction of these mechanisms.

After operation completion:

Every day after work, it is necessary to check all nuts, bolts, screws, inspect the degree of wear of the saw blade, guide tire component, sprocket. If necessary, adjust and replace.

Before long-term storage, it is necessary to clean residues of wood and dirt, remove the chain and guide tire component, lubricate with anti-corrosion oil. Drain the fuel flow mixture. Store in a dry place.

MAINTENANCE

Fuel supply system maintenance

Timely clean the tank, fuel filters, inspect the oil pipeline for permeability and aging, if necessary, make a replacement.

Daily clean the air filter, depending on the operating need to clean more often.

The carburetor is the most important part of the fuel system of the gasoline chain saw, it is necessary to regularly maintain the carburetor, maintain the patency of the pipelines, and make proper adjustments.

Inspection and cleaning of cylinders and pistons

During operation, it is necessary to clean the cylinder and pistons in time, while simultaneously inspecting the cylinder case, piston rings and other parts for wear. In time, inspect the cylinder walls for cracks and chips. When the piston is in the cylinder casing, the clearance should not exceed 1 mm. In time, inspect the needle bearing for wear.

Clean the cylinder case, pistons, bearings, pay attention to the removal of coal accumulation on the pistons, in the ring grooves, on the cylinder, in the vent, on the pressure relief valve and elsewhere. Lubricate the hole for the pin of the piston, the needle bearing, cylinder walls and other places with a light coat.

Starter maintenance

1. When replacing the starting cord or starting spring, first loosen the pre-tension of the starting spring.
2. Pulling the starting cord from the starting spring, be very careful that the spring does not injure the person.
3. After replacing, before assembly, lubricate the starting spring and the start shaft, then install.

Guide tire component maintenance

At wear of a gasoline chain saw to carry out turning by an engineers file. Turning exercise in the right direction. Also pay attention to the angle of the left and right teeth, so that during sawing there were no deviations. To ensure the height of the limiting teeth, in order to avoid runout.

After the working period it is necessary to carry out maintenance and turning of the guide tire component.

During normal inspection, check the rotation of the guide wheel, add grease to the guide wheel bearing at certain times. Each time the fuel is refueled, a high-speed complex lithium grease must be added to the guide wheel bearing at the same time. Inspect the patency of the oil pan of the guide tire component and its cleanliness.

When replacing and operating, ensure that the guide plate on both sides is erased synchronously, thereby extending the service life.

Daily maintenance of the gasoline chain saw

Daily service:

- Check the mobility, smoothness, reliability of the throttle, working at low speed.
- Check the operation of the brake mechanism, remove sawdust, oily dirt from the brake mechanism.
- Check the wear of the chain clamping device, in case of a malfunction, replace the whole.
- Inspect the air filter.
- Inspect the condition of the lubrication hole of the oil pump of the guide tire component, in addition, clean the foreign bodies of the guide tire component trough, lubricate the guide wheel bearing of the guide tire component.
- Adjust the chain tension, turn the chain, check the wear of the drive wheel.
- Check the degree of wear and the serviceability of the starter and starting cord, clean the sawdust hole of the starter from sawdust and dirt.
- Check the operation of the stop switch, inspect the reliability of fastening all parts.

Weekly service

- Clean the carburetor, the air filter, the radiator of the case of the cylinder from sawdust and oil mud.
- inspect the starter, starting spring; clean the fan blades and air inlet.
- To clear from a deposit an ignition spark plug, to make clearance adjustment of electrodes.
- Lubricate the clutch bearing; grind the burrs on the guide tire component surface.

If there are problems with running the gasoline chain saw, check:

- The proportion of oil and petrol, the usual ratio is 1:40
- Inspect the carburetor (oil may enter the combustion chamber)
- Compression ratio
- There is no spark (check the ignition spark plug)

TERMS OF WARRANTY SERVICE

1. This Warranty Certificate is the only document that confirms your right to free warranty service. Without presenting this certificate, no claims are accepted. In case of loss or damage, the warranty certificate is not restored.

2. The warranty period for the electric machine is 12 months from the date of sale, during the warranty period the service department eliminates manufacturing defects and replaces parts that have failed due to the fault of the manufacturer free of charge. In the warranty repair, an equivalent operable product is not provided. Replaceable parts become property of service providers.

P.I.T is not liable for any damage that may be caused by operation of the electric machine.

3. Only clean tool accompanied with the following duly executed documents: this Warranty Certificate, Warranty Card, with all fields filled out, bearing the stamp of the trade organization and the signature of the buyer, shall be accepted for warranty repair.

4. Warranty repair is not performed in the following cases:

- in the absence of a Warranty Certificate and a Warranty Card or their incorrect execution;
- with failure of both a rotor and a stator of the electric engine, charring or melting of primary winding of the welding machine transformer, charging or starting-charging device, with internal parts melting, burn down of electronic circuit boards;
- if a Warranty Certificate or a Warranty Card does not correspond to this electric machine or to the form established by the supplier;
- upon expiration of the warranty period;
- at attempts of opening or repair of the electric machine outside the warranty workshop; making constructive changes and lubrication of the tool during the warranty period, as evidenced, for example, by the creases on the spline parts of the fasteners of non-rotational parts.
- when using electric tools for production or other purposes connected with making a profit, as well as in case of malfunctions related to instability of the power network parameters exceeding the norms established by GOST;
- in the events of improper operation (use the electric machine for other than intended purposes, attachments to the electric machine of attachments, accessories, etc. not provided by the manufacturer);
- with mechanical damage to the case, power cord and in case of damages caused by aggressive agents and high and low temperatures, ingress of foreign objects in the ventilation grids of the electric machine, as well as in case of damage resulting from improper storage (corrosion of metal parts);
- natural wear and tear on the parts of the electric machine, as a result of long-term operation (determined on the basis of the signs of full or partial depletion of the specified mean life, great contamination, presence of rust outside and inside the electric machine, waste lubricant in the gearbox);
- use of the tool the purposes for other than specified in the operating instructions.
- mechanical damages to the tool;
- in the event of damages due to non-observance of the operating conditions specified in the instruction (see chapter "Safety Precautions" of the Manual).
- damage to the product due to non-observance of the rules of storage and transportation.

Preventive maintenance of electric machines (cleaning, washing, lubrication, replacement of anthers, piston and sealing rings) during the warranty period is a paid service.

The service life of the product is determined by the manufacturer and is 5 years from the date of manufacture, The owner is notified of any possible violations of the above terms of warranty service upon completion of diagnostics in the service center.

The owner of the tool entrusts the diagnostic procedure to be conducted in the service center in his absence.

Do not operate the electric machine when there are signs of excessive heat, sparking, or noise in the gearbox.

To determine the cause of the malfunction, the buyer should contact the warranty service center.

Malfunctions caused by late replacement of carbon brushes of the engine are eliminated at the expense of the buyer.

5. The warranty does not cover:

- replacement of parts (accessories and furniture), for example: accumulators, disks, knives, drills, bores, cartridges, chains, sprockets, collet clamps, buses, tensioning elements and fasteners, trim tabs, pads of grinders and tape machines, etc.
- quick-wear parts, for example: carbon brushes, drive belts, glands, protective covers, guide rollers, guides/rails, rubber seals, bearings, timing belts and wheels, shafts, brake band, ratchet wheels and starter cables, piston rings, etc. Replacing them during the warranty period is a paid service.
- power cords, in case of insulation damage, power cords are subject to mandatory replacement without the consent of the owner (paid service),
- casing of machine.

P.I.T. WARRANTY CERTIFICATE

Product Name _____
Product Number
Serial Number
Sale Date _____
Trade Organization Name _____



Dear customer!

Thank you for purchasing the P.I.T. tool, and we hope that you will be satisfied with your choice. In the process of manufacturing the P.I.T. tools pass multilevel quality control, if nevertheless your product will need maintenance, please contact the authorized P.I.T. service centers.

Attention!

When buying, ask a seller to check the completeness and operability of the tool, to fill out the Warranty Certificate, the Warranty Card (the boxes shall be filled out by a seller) and to affix the seal of the trade organization in the Guarantee Certificate and the Warranty Card.

Warranty

By this Warranty Certificate, P.I.T. company guarantees the absence of defects of the production nature, both in the product itself and in its constituent components.

In the event any of the above defects are detected during the warranty period, the specialized P.I.T. service centers shall repair the product and replace the defective spare parts free of charge.

The warranty period for P.I.T. electric machines is 12 months from the date of sale.

"The warranty maintenance terms acknowledged and accepted. The operability and completeness of the product are checked in my presence. No claims on quality and appearance."

Buyer's Signature _____ Surname (legibly) _____

Phone _____

ОБЩИЕ МЕРЫ БЕЗОПАСНОСТИ

1. Перед использованием бензопилы, внимательно прочитайте инструкцию, она входит в комплект бензопилы.
2. Не используйте бензопилу, если вы устали, под воздействием алкоголя или лекарств, при болезни и плохом самочувствии. Бензопила является опасным инструментом. Вы должны быть отдохнувшим и бодрым.
3. Используйте спец-ботинки, защитные очки, головной убор и другую спец-одежду.
4. Держите пилу обеими руками. Держите пилу как положено. Надежный захват поможет вам сохранить контроль над пилой в случае отдачи или других неожиданных рывков.
- 5.левой рукой держите пилу за несущую переднюю дугу рядом с тормозом, правой возьмитесь за рукоятку со стороны управления газом – даже если вы левша.
5. Держите руки сухими чистыми и без масла или топливной смеси.
6. Пилите стоя чуть в сторону. Так вы сможете избежать ранения в результате обратного удара, если он произойдет.
7. Переносите пилу с зажатым тормозом цепи в сторону глушителя от себя. Лучше при переходе на другое место пиления, заглушить пилу. При транспортировке бензопилы, всегда используйте соответствующие ножны.
8. Не пилите на вытянутых руках и выше высоты плеч.
9. Пилите твердо встав на несущую поверхность. Не используйте бензопилу на дереве или на лестнице, если у Вас нет специальных навыков.
10. Чтобы избежать риск отдачи, убедитесь, что область, в которой вы пилите свободна от препятствий. Не позволяйте пильной цепи соприкасаться с остатками гвоздей и проволоки или твердыми бетонными поверхностями.
11. Если валите дерево, до падения дерева, убедитесь, что у Вас безопасное место и есть план пути быстрого отступления.
12. Будьте осторожны в случае с валом дерева, пропилив в стороне падения ствола смыкается и зажимает пилу. В этом случае необходимо сильными толчками вытащить шину, давая цепи свободно вращаться, т.е. снять с тормоза.
13. Будьте предельно осторожны при резки небольшого размера кустов и саженцев. При резке кустарника, давление на концы веток создает пила, при перепиле давление пропадает и пила по инерции уходит в сторону пиления. Учитите это что бы избежать поражения конечностей.
14. Не позволяйте другим лицам, стоять в зоне работы бензопилы. Держите на дистанции животных.
15. Держите пильную сторону на расстоянии от всех частей тела, когда двигатель работает.
16. Не используйте бензопилу, если она повреждена, неправильно отрегулирована или не полностью собрана. В нашей мастерской был печальный случай серьезного ранения, когда незатянутое сцепление шетело на полных оборотах при тестировании у новенького неопытного мастера и пробило голову соседнему мастеру. К счастью с мастером уже все в порядке. Убедитесь, что режущая цепь перестает двигаться, когда курок управления дроссельной заслонкой отпущен.
17. Если вы не знаете о техническом состоянии вашего пилы, обратитесь к специалисту.
18. Следуйте инструкциям по техническому обслуживанию производителя бензопилы. Если нет инструкции, обратитесь за советом к дилерам или ремонтную мастерскую.
19. Используйте режущие цепи только указанные производителем или эквивалент. Стандарты режущих цепей влияют не только на производительность, но и на безопасность отдачи, а также поддержание надлежащего натяжения пильной цепи. Свободная цепь может соскочить с шины и ранить оператора.
20. Обслуживание и ремонт бензопилы, кроме пунктов упомянутых в инструкции по обслуживанию, должны выполняться квалифицированными специалистами. Неправильное выполненное техническое обслуживание может привести к повреждению пилы и представляет опасность для пользователя.

РАСШИФРОВКА ТОРГОВОЙ МАРКИ P.I.T.**P.I.T.**[®] Progressive Innovational Technology
(Прогрессивные Инновационные Технологии)

В настоящее время под маркой P.I.T. выпускается механическое и электрическое оборудование 10 видов. По объему продаж бензопилы P.I.T. занимают одно из лидирующих мест. Обозначение цепных пил имеет следующее значение:

Например, **GCS45-C3**

GCS – бензиновая пила

45 – объем двигателя

C3 – серия модификации



GCS45-C3

НАЗНАЧЕНИЕ

Бензопила. Другие названия: «бензиновая цепная пила» или «мотопила». Мотопила используется для валки леса и раскряжевки. Модель удобна для переноски и проста в обращении.

ПРИНЦИП РАБОТЫ

Бензиновая пила имеет следующий принцип работы:

- заполнение цилиндра топливной смесью
- ее сжатие
- воспламенение смеси
- расширение газов и очистка от них цилиндров



GCS52-C3



GCS52-C4

ТЕХНИЧЕСКИЕ ХАРАКТЕРИСТИКИ

	GCS45-C3	GCS52-C3	GCS52-C4
Рабочий объем двигателя	46 см ³	53 см ³	53 см ³
Длина направляющей шины	400мм	450мм	400мм
Количество звеньев	64 зв	72 зв	64 зв
Шаг цепи	0,325"	0,325"	0,325"
Ширина паза	1,5 мм	1,5 мм	1,5 мм
Емкость топливного бака	550мл	550мл	550мл
Емкость масляного бака	260мл	260мл	260мл
Скорость вращения на холостом ходу	8500 об/мин	8500 об/мин	8500 об/мин
Номинальная выходная мощность	1800 Вт	2000 Вт	2000 Вт
Вес	7,5 кг	7,8 кг	7,5 кг

Примечание. Так как изделия постоянно совершенствуются, то компания P.I.T. оставляет за собой право на внесение изменений в указанные здесь технические характеристики и комплектацию изделия без предварительного уведомления.

КОМПЛЕКТ ПОСТАВКИ

- Бензопила 1 шт.
- Направляющая шина 1 шт.
- Пильная цепь 1 шт.
- Защитный кожух 1 шт.
- Канистра для приготовления топливной смеси 1 шт.
- Зубчатый упор 1 шт.
- Набор инструментов и крепежа 1 шт.
- Перчатки 1 шт.
- Защитные очки 1 шт.
- Руководство по эксплуатации 1 шт.

РАСШИФРОВКА ДАТЫ ИЗГОТОВЛЕНИЯ ИЗДЕЛИЯ

Дата изготовления изделия зашифрована в серийном номере, напечатанном на корпусе инструмента. Первые 2 цифры обозначают год выпуска, следующие 2 цифры – месяц и следующие 2 цифры – день

№.

1	7	0	7	3	0	0	3	9	5
---	---	---	---	---	---	---	---	---	---

↓ год
 ↓ месяц
 ↓ день

ФУНКЦИОНАЛЬНЫЕ ВОЗМОЖНОСТИ И ОСОБЕННОСТИ БЕНЗОПИЛЫ

Функциональные возможности:

Продукция обладает большой мощностью, высокой эффективностью распиловки, низкой себестоимостью валки леса и многими другими преимуществами. Бензопила уже стала основной техникой для заготовки леса ручным способом.

В качестве амортизационной системы бензопилы выступают пружины и высокопрочные резиновые амортизаторы.

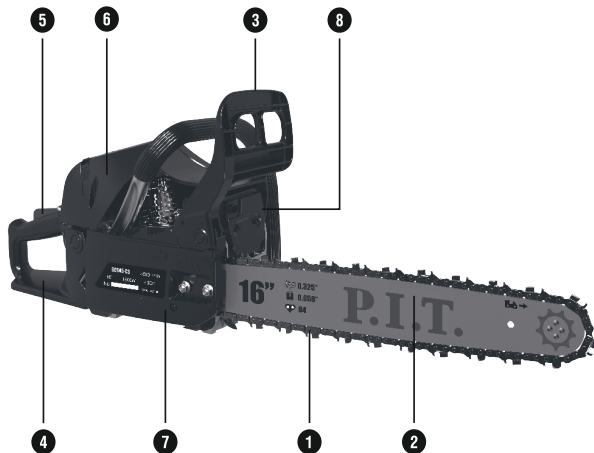
В связи с этим

функциональные возможности пилы подходят для следующих работ: заготовка леса, раскряжевка, обрезка веток, распиливание шпал для железной дороги.

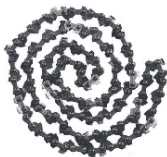
Особенности:

1. Новый дизайн корпуса пилы обтекаемой формы, что делает ее удобной и надежной в обращении.
2. Удобные рукоятки эргономичной формы.
3. Низкий и ровный уровень шума при работе.
4. Клавиша включения самоблокирующегося типа, что обеспечивает дополнительную безопасность при работе.
5. Система противотолчкового торможения, что делает работу спокойной и безопасной.
6. Автоматическая система смазки, что значительно повышает эффективность работы.
7. Карбюратор высокого качества, благодаря чему продлевается срок эксплуатации инструмента.
8. Обладает легким запуском, оснащен редукционным клапаном, за счет чего сокращается расход топлива и время при запуске инструмента.

УСТРОЙСТВО БЕНЗОПИЛЫ



GCS45-C3

1 Цепь


имеет хорошую прочность, остро заточенные режущие зубья. На поверхности цепи указано направление движения. При каждом использовании цепи необходимо обращать внимание на направление вращения цепи.

2 Пильная шина

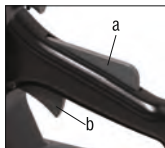
используется для вращения цепи. Настоящая направляющая шина имеет хорошие характеристики износоустойчивости.


3 Тормозной механизм


предназначен для мгновенной остановки цепи при обратном ударе, который иногда происходит при быстром или случайном прикосновении вращающейся цепи (особенно конца шины) к дереву. Шина при этом получает резкий удар, отбрасывающий ее вверх или в сторону.

4 Основная рукоятка

Ручка с эффектом противопроскальзывания, благодаря которой создается комфорт для рук при работе с инструментом.

5 Клавиша включения


разделена на верхнюю и нижнюю клавиши:

- a) клавиша безопасности
- b) клавиша эксплуатации

Для начала работы необходимо нажать клавишу безопасности, а затем уже клавишу эксплуатации.

Клавиша безопасности обеспечивает контроль при эксплуатации бензопилы,

предотвращает возникновение аварии при потере контроля над инструментом.

6 Корпус


Корпус бензопилы сделан из высококачественного пластика, который устойчив к повреждениям

7 Винт натяжения цепи


расположен на фиксированном цепном колесе и крышке направляющей шины. Служит для натяжения/ослабления цепи

8 Глушитель


служит для вывода выхлопных газов в атмосферу и уменьшения уровня шума при работе.

ПРАВИЛА ЭКСПЛУАТАЦИИ

В следующих ситуациях необходимо незамедлительно заглушить двигатель

1. при соприкосновении цепи пилы с другим предметом (перед повторным запуском нужно осмотреть повреждения)
2. во время работы появились посторонние шумы и необычная вибрация (необходимо осуществить осмотр и устранить неисправности)
3. оператор покидает место работы бензопилы
4. при обнаружении смещения хлыста или бревна

Лица, не допускающиеся к работе с бензопилой:

1. лица несовершеннолетние и пожилые
2. лица со слабым здоровьем и инвалиды
3. лица после употребления алкоголя и наркотических препаратов

Перед эксплуатацией обратить внимание на следующие моменты:

1. во время работы необходимо находиться в безопасной обуви и спец. одежде (комбинезон, рабочая форма)
2. внимательно осмотреть степень износа бензопилы, цепи, направляющей шины, степень натяжения цепи, при необходимости произвести регулировку или заменить
3. проверить работу клавиши включения бензопилы
4. полностью осмотреть рабочую площадку: убрать камни, металлические предметы, ветки и другие отходы
5. перед началом работы определить путь безопасного отхода с места работы в безопасный район

Во время эксплуатации:

1. работа не разрешена, если расстояние от обрабатываемого хлыста до конвейера составляет менее 1,5 метров
3. перед раскряжкой сначала запустить бензопилу и поработать в течение 1 минуты, для проверки хода
4. во время запуска и эксплуатации, руки и ноги не должны располагаться вблизи вращающихся механизмов, особенно снизу и сверху цепи
5. во время работы бензопилу держать обеими руками
6. во время работы стоять устойчиво, запрещается работать стоя под хлыстом или бревном, а также на бревне
7. устранив заклинивание пилы необходимо обратить особое внимание на безопасность помогающих людей
8. в процессе работы необходимо своевременно производить смазку и охлаждение пилы
9. перед тем как бревно будет отпилено, обратить внимание на направление движения отрезанного куска, после завершения отпиливания быстро поднять пилу

В следующих ситуациях не допускается эксплуатация бензопилы:

1. близость людей
2. пока лицо, помогавшее при раскряжке, не ушло в безопасную зону
3. в рабочей зоне, где хлысты сложены в неустойчивые штабеля
4. недостаточное освещение
5. на открытых площадках в дождливые дни
6. при ветре с силой выше 5 баллов
7. во время грозы
8. без защитного механизма обрыва цепи, без защитного механизма против толчков или при неисправности этих механизмов.

При завершении работы:

Ежедневно после работы необходимо проверить все гайки, болты, винты, осмотреть степень износа полотна пилы, направляющей шины, цепного колеса. При необходимости осуществить регулировку и замену.

Перед длительным хранением нужно очистить от остатков древесины и грязи, снять цепь и направляющую шину, смазать антикоррозийным маслом. Слить бензосмесь и произвести выработку остатков бензосмеси в карбюраторе путем завода бензопилы. Хранить в сухом месте.

ВНИМАНИЕ! Двигатель работает на топливе из смеси неэтилированного бензина с октановым числом 92 и специального масла для 2-тактных двигателей. Для смазки цепи используйте моторное масло SAE 10W-30.

ВНИМАНИЕ! Не используйте отработанное или грязное масло для смазки цепи, так как оно может повредить маслонасос и сократить ресурс шины, цепи и ведущей звездочки.

УСТАНОВКА ПИЛЬНОЙ ЦЕПИ И ШИНЫ

Для установки шины и цепи на пилу действуйте следующим образом:

ВНИМАНИЕ! Наденьте перчатки для предотвращения травм об острые края цепи.

- Убедитесь, что тормоз цепи не включен.
- Открутите гайку (гайки) и снимите крышку направляющей шины.
- Установите ползун в положение максимально близкое к звездочке ведущей путем вращения винта натяжения цепи против часовой стрелки.
- Наденьте цепь на ведущую звездочку.
- Наденьте цепь на шину и установите шину на шпильку (шпильки) и ползун.
- Убедитесь, что кромки режущих зубьев цепи на верхней части шины направлены от двигателя бензопилы.
- Установите крышку направляющей шины на шпильку (шпильки), накрутите гайку (гайки).
- Возьмитесь за носок шины и приподнимите его вверх одновременно с этим вращением винта натяжения по часовой стрелке отрегулируйте натяжение цепи.
- Туго затяните гайку (гайки) на крышке направляющей шины. После этого убедитесь, что цепь хорошо скользит и имеет необходимое натяжение, смещая ее вручную. При необходимости снова отрегулируйте натяжение цепи. Для этого следует сначала вновь ослабить гайки боковой крышки.

Натяжение цепи установлено правильно, если в средней части шины цепь можно оттянуть на 4–6 мм и при этом ее можно протянуть рукой по шине. При установке новой цепи натяжение следует проверять регулярно, до тех пор, пока цепь не приработается. Производительность и срок службы цепи зависят от правильного ее натяжения.

ВНИМАНИЕ! Новая цепь слегка удлиняется по мере ее эксплуатации. Проверяйте и регулируйте ее натяжение, так как при ослаблении цепи она может соскочить или быстро износиться вместе с шиной.

ЗАПУСК ДВИГАТЕЛЯ

Использование бензопилы с поврежденными или недостающими деталями является опасным. Перед запуском двигателя убедитесь, что все детали, в том числе шина и цепь, правильно установлены. Убедитесь также, что тормоз цепи отключен.

Бензопилы оборудованы системой с облегченным запуском двигателя **Easy Start**. При запуске двигателя **ПЛАВНО** потянуть за ручку стартера, механизм стартера произведет запуск (пуск) двигателя.

Завратьте пилу топливом и маслом для цепи, после чего туго затяните пробки.

Запуск холодного двигателя

1. Установить выключатель в положение «I» – «Пуск»;
2. Прокачать праймер (насос подачи) топлива 4–6 раз;
3. Установить рукоятку воздушной заслонки в положение «А» – «Запуск»;
4. Обхватите переднюю ручку пилы левой рукой и прижмите бензопилу вниз. Возьмите ручку стартера правой рукой и плавно потяните шнур стартера, пока барабан стартера не войдет в зацепление с собачками храпового механизма. После этого сделайте резкий, но не длинный рывок до момента кратковременного запуска двигателя.
5. Переведите рукоятку воздушной заслонки в положение «Б» – «рабочее положение», надавив на нее до упора.
6. Произведите пуск двигателя повторив п. 5.

Запуск теплого двигателя

Установить выключатель в положение «I» – «Пуск».

Используйте ту же процедуру, что и при запуске холодного двигателя (см. п.5), однако не вытягивайте рукоятку воздушной заслонки и не прокачивайте насос топливной смеси.

Остановка двигателя

Двигатель останавливается путем перевода выключателя в положение «0» – «Стоп».

После запуска двигателя, удерживайте его на средних оборотах. И поднеся пилу к горизонтальной **поверхности** передним концом шины, проверьте — разбрызгивается ли масло с движущейся цепи. Количество подачи масла для смазки цепи можно изменить, вращая регулировочный шток, находящийся с нижней стороны бензопилы (дно силового агрегата).

ВНИМАНИЕ! Не забывайте добавлять масло в масляный бак каждый раз, когда вы заправляете пилу топливной смесью.

СМАЗКА НАПРАВЛЯЮЩЕЙ ШИНЫ И ПИЛЬНОЙ ЦЕПИ

Бензопила оборудована регулируемой автоматической системой подачи масла на шину и цепь.

1. Система автоматически подает необходимое количество масла к шине и цепи.
2. При увеличении оборотов двигателя, увеличивается количество подаваемого масла к шине.
3. Количество масла можно корректировать с помощью регулировочного винта 1, который находится снизу бензопилы.
4. Объем масляного бака рассчитан таким образом, чтобы при полной выработке топливного бака в масляном баке оставалось небольшое количество масла.
5. Пильная цепь и направляющая шина должны постоянно смазываться во время работы.

ВНИМАНИЕ! Запрещается работать без смазки направляющей шины и пильной цепи. Работа, даже незначительное время, без подачи масла или при недостаточной подаче масла приводит к выходу из строя пильной гарнитуры (шины, цепи, звездочки). Работа без масла в баке приводит к повреждению маслососа. Проверку подачи масла на цепь следует производить перед началом работы и каждый раз после заправки баков топливом и маслом:

1. Для проверки расположите пилу над чистой светлой поверхностью на расстоянии примерно 15–20 см.
2. Нажмите на курок газа и дайте двигателю поработать примерно 10–15 секунд на средних оборотах. Под шиной должен остаться четкий след от масла.

ТЕХНИЧЕСКОЕ ОБСЛУЖИВАНИЕ

Обслуживание системы подачи топлива

Своевременно чистить бак, топливные фильтры, осматривать маслопровод на предмет проходимости и старения, при необходимости осуществить замену.

Ежедневно чистить воздушный фильтр, в зависимости от рабочей необходимости чистить чаще.

Карбюратор является самой важной деталью системы подачи топлива бензиновой пилы, необходимо регулярно осуществлять обслуживание карбюратора, поддерживать проходимость трубопроводов, осуществлять надлежащую регулировку.

Техническое обслуживание стартера

1. при замене пускового шнура или пусковой пружины сначала ослабить предварительное натяжение пусковой пружины.
2. вытаскивая пусковой шнур из пусковой пружины, быть очень аккуратным, чтобы пружина не ранила человека.
3. после замены, перед сборкой, смазать пусковую пружину и пусковой вал, затем установить.

Техническое обслуживание пильной цепи и направляющей шины

При износе пильной цепи осуществить обточку напильником. Обточку осуществлять в правильном направлении. Также обратить внимание на угол левых и правых зубьев, чтобы во время распиливания не было отклонений. Обеспечить высоту ограничительных зубьев, во избежание биения.

После рабочего периода необходимо осуществить обслуживание и обточку направляющей шины.

При обычном осмотре проверить вращение направляющего колеса, в определенные периоды добавлять смазку в подшипник направляющего колеса. При каждой заправке топливом необходимо одновременно добавлять в подшипник направляющего колеса высокоскоростную комплексную литиевую смазку. Осматривать проходимость масленки направляющей шины и ее чистоту.

При замене и эксплуатации обеспечить чтобы направляющая пластина с двух сторон стиралась синхронно, благодаря чему продлевается срок эксплуатации.

Повседневное техническое обслуживание бензопилы

Ежедневное обслуживание:

- проверить подвижность, плавность, надежность дроссельной гашетки, работу на малых оборотах.
- проверить работу тормозного механизма, удалить опилки, маслянистую грязь с тормозного механизма.
- проверить износ устройства захвата цепи, в случае неисправности осуществить замену целиком.
- осмотреть воздушный фильтр.
- осмотреть состояние отверстия смазки масляного насоса направляющей шины, кроме того, очистить от инородных тел желоба направляющей шины, смазать подшипник цепного колеса направляющей шины.
- осуществить регулировку натяжения цепи, обточку цепи, проверить степень износа приводного колеса.
- проверить степень износа и исправность стартера и пускового шнура, очистить от опилок и грязи воздуховпускное отверстие стартера.
- проверить работу выключателя «стоп», осмотреть надежность крепления всех частей.

Еженедельное обслуживание

- почистить карбюратор, воздушный фильтр, радиатор корпуса цилиндра от опилок и масляной грязи.
- осмотреть стартер, пусковую пружину; почистить лопасти вентилятора и воздуховпускное отверстие.
- очистить от нагара запальную свечу, произвести регулировку зазора электродов.
- смазать подшипник сцепления; обточить заусенцы на поверхности направляющей шины.

Если возникли проблемы с запуском бензопилы, проверить:

- пропорцию масла и бензина, обычное соотношение составляет 1:40
- осмотреть карбюратор (возможно попадание масла в камеру сгорания)
- коэффициент сжатия
- нет искры (проверить запальную свечу)

ТРАНСПОРТИРОВКА И ХРАНЕНИЕ

Устройство можно транспортировать любым видом закрытого транспорта в упаковке производителя или без нее с сохранением изделия от механических повреждений, атмосферных осадков, воздействия химически активных веществ. Наличие в воздухе паров кислот, щелочей и других агрессивных примесей не допускается. Во время погрузочно-разгрузочных работ устройство не должно подвергаться ударам, падениям и воздействию атмосферных осадков.

При переноске бензопилы на короткие расстояния (при переходе с одного места работы на другое) заглушите двигатель, включите тормоз цепи и установите чехол на шину.

Установленный срок хранения машины составляет 3 года. Во время установленного срока храните машину при температуре окружающей среды от 0°C до плюс 40°C и относительной влажности воздуха не более 80%.

УТИЛИЗАЦИЯ

Отслужившую свой срок бензопилу, принадлежности и упаковку следует сдавать на экологически чистую переработку отходов.



УСЛОВИЯ ГАРАНТИЙНОГО ОБСЛУЖИВАНИЯ

1. Настоящее гарантийное свидетельство является единственным документом, подтверждающим Ваше право на бесплатное гарантийное обслуживание. Без предъявления данного свидетельства претензии не принимаются. В случае утери или порчи гарантийное свидетельство не восстанавливается.
 2. Срок службы изделия установлен изготовителем и составляет 3 года со дня продажи потребителю, срок хранения инструмента 2 года. Не рекомендуется к эксплуатации по истечении 2 лет хранения с даты изготовления, которая указана в серийном номере на этикетке инструмента, без предварительной проверки (определение даты выпуска смотрите ранее в Руководстве пользователя). Гарантийный срок на инструмент составляет 12 месяцев со дня продажи, в течение гарантийного срока сервисная служба бесплатно устраняет производственные дефекты и производит замену деталей, вышедших из строя по вине изготовителя. На период гарантийного ремонта эквивалентный исправный инструмент не предоставляется. Заменяемые детали переходят в собственность служб сервиса. Компания P.I.T. не несет ответственности за вред, который может быть причинен при работе с инструментом.
 3. Запрещается эксплуатация инструмента при проявлении признаков повышенного шума в редукторной части. Для выяснения причин неисправности покупателю следует обратиться в гарантийную мастерскую.
В гарантийный ремонт инструмент принимается в чистом виде, при обязательном наличии надлежащим образом оформленных документов: настоящего гарантийного свидетельства, гарантийного талона, с полностью заполненными полями, штампом торговой организации и подписью покупателя.
Владелец инструмента доверяет проведение диагностики в сервисном центре в свое отсутствие.
 4. Гарантийный ремонт не производится в следующих случаях:
 - 4.1. по истечении срока гарантии;
 - 4.2. при отсутствии гарантийного свидетельства и гарантийного талона или неправильном их оформлении;
 - 4.3. если гарантийное свидетельство или талон не принадлежат данному инструменту или не соответствует установленному поставщиком образцу;
 - 4.4. при попытках самостоятельного вскрытия или ремонта инструмента вне гарантийной мастерской;
 - 4.5. при появлении неисправностей, вызванных действием непреодолимой силы (несчастный случай, пожар, наводнение, удар молнии и т.п.);
 - 4.6. при неправильной эксплуатации (использование инструмента не по назначению, установки на инструмент не предназначенных заводом-изготовителем насадок, дополнительных приспособлений и т.п.);
 - 4.7. при механических повреждениях корпуса или инструмента;
 - 4.8. при повреждениях, вызванных воздействиями агрессивных средств, высоких или низких температур, а также при повреждениях, наступивших в результате неправильного хранения инструмента (коррозия металлических частей);
 - 4.9. использование инструмента не по назначению, указанному в инструкции по эксплуатации;
 - 4.10. при возникновении повреждений в связи с несоблюдением предусмотренных инструкцией условий эксплуатации (см. главу Указание по технике безопасности в инструкции);
 - 4.11. повреждение изделия вследствие несоблюдения правил хранения и транспортировки.
 - 4.12. на обычное техническое обслуживание, а так же промывку топливной системы и устранение заглоханий (в результате действия химикатов, грязи, углеродистых и известковых отложений и т.п.).
 - 4.13. гарантия не распространяется на поломки, связанные с нормальным износом: бензоинструмент, так же, как и все технически сложное оборудование, нуждается в должном техническом обслуживании. Гарантия не распространяется на ремонт, потребность в котором возникает вследствие нормального износа, сокращающего срок службы таких частей инструмента, как стартера, свечи зажигания, пильные цепи, шины, диски, ножи, звездочки, цанговые зажимы, элементы натяжения и крепления, головки триммеров, фильтры и т.п. (сменные принадлежности); естественный износ (полная выработка ресурса, сильное внутреннее или внешнее загрязнение); оборудование и его части, выход из строя которых стал следствием неправильной установки, несанкционированной модификации, неправильного применения, нарушении правил обслуживания или хранения;
 - 4.14. на выход из строя поршневой группы из-за несоблюдения требований к составлению топливной смеси, к безусловным признакам которого относятся продольные задиры поршневой группы, залегание поршневых колец, перегрев.
 - 4.15. гарантия не распространяется на быстроизнашивающиеся детали, например: приводные ремни, сальники, защитные кожухи, направляющие ролики, направляющие, резиновые уплотнения, подшипники, зубчатые ремни и колеса, ленты тормоза, храповики и тросы стартеров, поршневые кольца, присоединительные контакты, указатели уровня масла, топливные отстойники и т.п.
Замена их в течение гарантийного срока является платной услугой.
- О возможных нарушениях, изложенных выше условий гарантийного обслуживания, владельцу сообщает после проведения диагностики в сервисном центре.

ГАРАНТИЙНОЕ СВИДЕТЕЛЬСТВО НА ИНСТРУМЕНТ P.I.T.

Наименование изделия _____
Артикул изделия □ □ □ □ □ □ □ □ □ □ □ □ □ □ □ □
Серийный номер □ □ □ □ □ □ □ □ □ □ □ □ □ □ □ □
Дата продажи « __ » _____
Наименование торговой организации _____

М.П.

Уважаемый покупатель!

Благодарим Вас за покупку инструмента P.I.T. и надеемся, что Вы останетесь довольны своим выбором. В процессе производства инструменты P.I.T. проходят многоуровневый контроль качества, если тем не менее Ваше изделие будет нуждаться в обслуживании, просим Вас обращаться в авторизированные сервисные центры P.I.T.

Внимание!

При покупке требуйте у продавца проверки комплектности и работоспособности инструмента, заполнение гарантийного свидетельства, гарантийного талона (графы заполняются продавцом) и простановки печати торговой организации в гарантийном свидетельстве и гарантийном талоне.

Гарантия

На основании данного гарантийного свидетельства компания P.I.T. гарантирует отсутствие дефектов производственного характера, как в самом изделии, так и в составляющих его компонентах.

Если в течении гарантийного срока в Вашем изделии тем не менее обнаружатся указанные дефекты, специализированные сервисные центры P.I.T. бесплатно отремонтируют изделие и заменят дефектные запасные части.

Гарантийный срок на электроинструменты P.I.T. составляет 12 месяцев со дня продажи.

«С условиями гарантийного обслуживания ознакомлен(а). Работоспособность и комплектность изделия проверены в моем присутствии. Претензий к качеству и внешнему виде не имею».

Подпись покупателя _____ Фамилия(разборчиво) _____

Телефон _____

P.I.T. WARRANTY CARD / ГАРАНТИЙНЫЙ ТАЛОН



P.I.T. WARRANTY CARD

Name _____ Serial Number _____ Sale Date _____ 20__ Date of Receipt from Repair _____ 20__		
	Name _____	Place of Seal
	Serial Number _____	
	Sale Date _____ 20__	
	(Filled out by a Seller)	
	WARRANTY REPAIR CARD	
	Date of Acceptance for Repair _____ 20__	
	Application for Repair _____	
	Customer _____	
	Phone (Address) _____	Place of Seal
Cause of Application _____		
Date of Receipt from Repair _____ 20__		
The Tool is checked in my presence _____		
(The Order shall be performed in a Service Center) (Signature)		

Name _____ Serial Number _____ Sale Date _____ 20__ Date of Receipt from Repair _____ 20__		
	Name _____	Place of Seal
	Serial Number _____	
	Sale Date _____ 20__	
	(Filled out by a Seller)	
	WARRANTY REPAIR CARD	
	Date of Acceptance for Repair _____ 20__	
	Application for Repair _____	
	Customer _____	
	Phone (Address) _____	Place of Seal
Cause of Application _____		
Date of Receipt from Repair _____ 20__		
The Tool is checked in my presence _____		
(The Order shall be performed in a Service Center) (Signature)		

Name _____ Serial Number _____ Sale Date _____ 20__ Date of Receipt from Repair _____ 20__		
	Name _____	Place of Seal
	Serial Number _____	
	Sale Date _____ 20__	
	(Filled out by a Seller)	
	WARRANTY REPAIR CARD	
	Date of Acceptance for Repair _____ 20__	
	Application for Repair _____	
	Customer _____	
	Phone (Address) _____	Place of Seal
Cause of Application _____		
Date of Receipt from Repair _____ 20__		
The Tool is checked in my presence _____		
(The Order shall be performed in a Service Center) (Signature)		

ГАРАНТИЙНЫЙ ТАЛОН P.I.T.


Наименование _____
 Серийный номер _____
 Дата продажи «__» _____ 20 __г.
 (Заполняется продавцом)

М.П.

КАРТА ГАРАНТИЙНОГО РЕМОНТА __
 Дата приема в ремонт __ _____ 20 __г.
 Заявка на ремонт _____
 Заказчик _____
 Телефон(адрес) _____
 Причина обращения _____
 Дата получения из ремонта __ _____ 20 __г.
 Инструмент проверен в моем присутствии _____
 (Заказ заполняется в сервисном центре) (подпись)

М.П.

Наименование _____
 Серийный номер _____
 Дата продажи «__» _____ 20 __г.
 Дата получения из ремонта «__» _____ 20 __г.



Наименование _____
 Серийный номер _____
 Дата продажи «__» _____ 20 __г.
 (Заполняется продавцом)

М.П.

КАРТА ГАРАНТИЙНОГО РЕМОНТА __
 Дата приема в ремонт __ _____ 20 __г.
 Заявка на ремонт _____
 Заказчик _____
 Телефон(адрес) _____
 Причина обращения _____
 Дата получения из ремонта __ _____ 20 __г.
 Инструмент проверен в моем присутствии _____
 (Заказ заполняется в сервисном центре) (подпись)

М.П.

Наименование _____
 Серийный номер _____
 Дата продажи «__» _____ 20 __г.
 Дата получения из ремонта «__» _____ 20 __г.



Наименование _____
 Серийный номер _____
 Дата продажи «__» _____ 20 __г.
 (Заполняется продавцом)

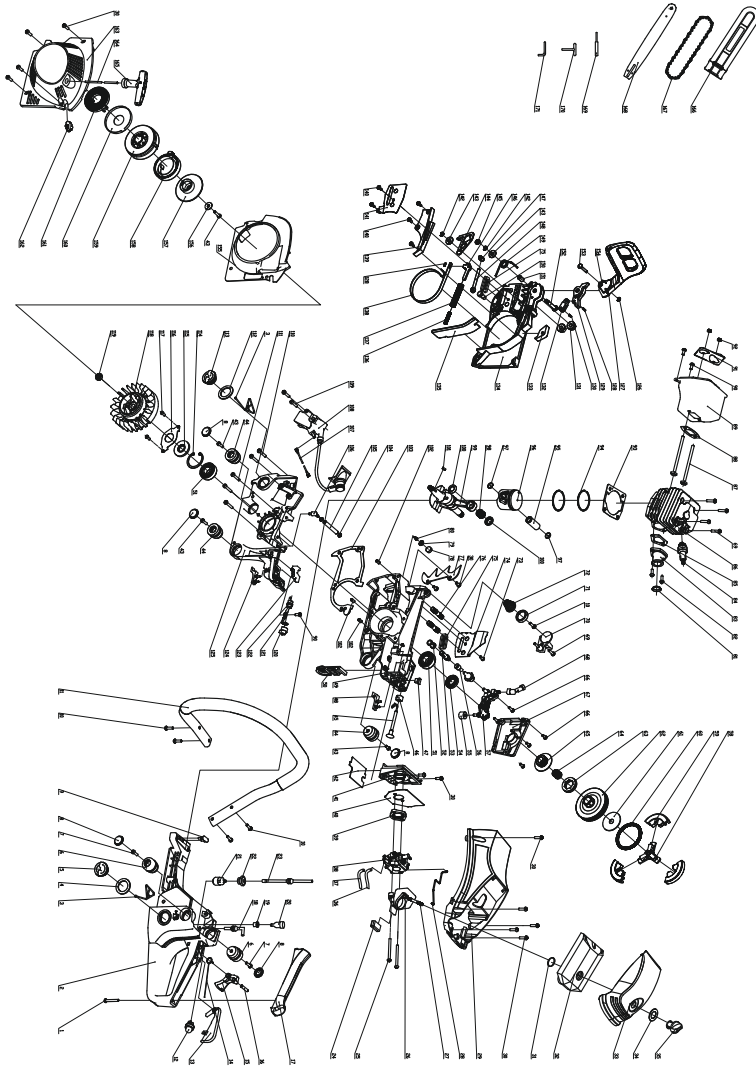
М.П.

КАРТА ГАРАНТИЙНОГО РЕМОНТА __
 Дата приема в ремонт __ _____ 20 __г.
 Заявка на ремонт _____
 Заказчик _____
 Телефон(адрес) _____
 Причина обращения _____
 Дата получения из ремонта __ _____ 20 __г.
 Инструмент проверен в моем присутствии _____
 (Заказ заполняется в сервисном центре) (подпись)

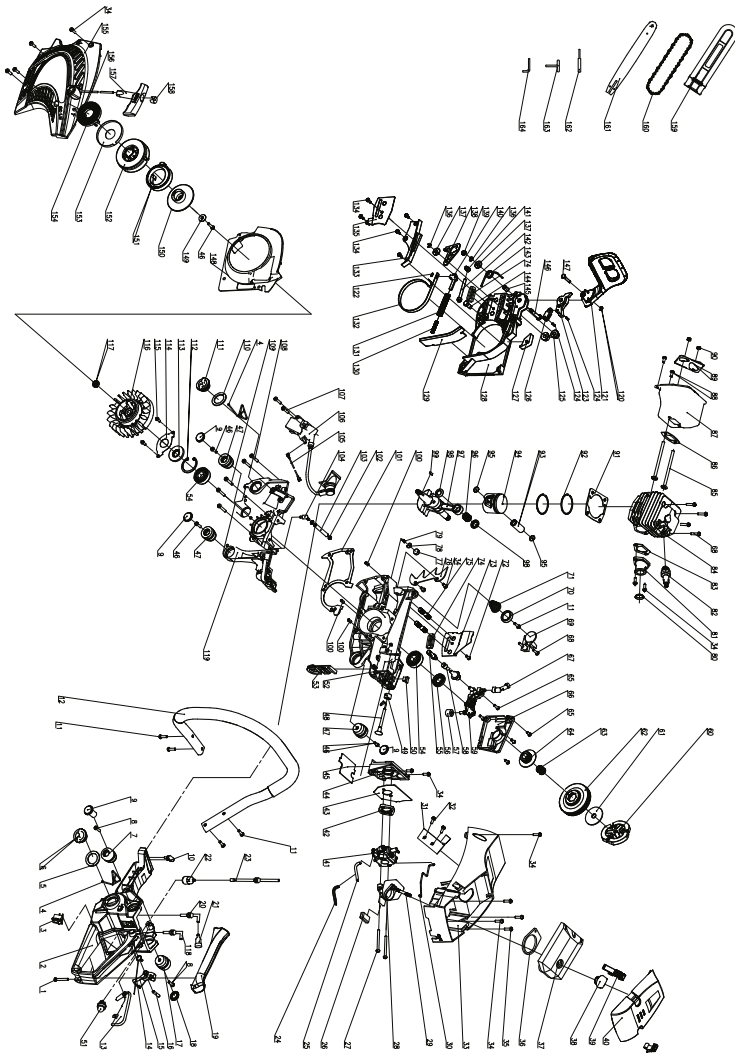
М.П.

Наименование _____
 Серийный номер _____
 Дата продажи «__» _____ 20 __г.
 Дата получения из ремонта «__» _____ 20 __г.

GCS52-C4



GCS45-C3 ,GCS52-C3





Поставщик: Китай Xinjiang Longbo Industrial Co., Ltd.

Адрес производства: Rm. 602, 6th Floor, No. 531, Weixing Road, Economic And Technological Development Zone, Urumqi, Xinjiang, China

Импортер: ООО «Турбо-Тулс»

Юридический адрес: 117246, г. Москва, ул. Херсонская, 43 - 670

Вопросы и предложения направляйте по адресу:

614058, г. Пермь, ул. Фоминская, 36

info@pittools.ru

Сделано в КНР



www.pit-tools.com