

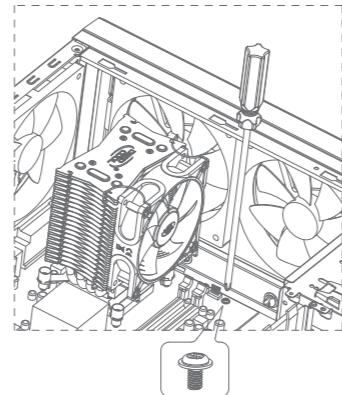
KENDOMEN 赤影

USER GUIDE 使用说明书

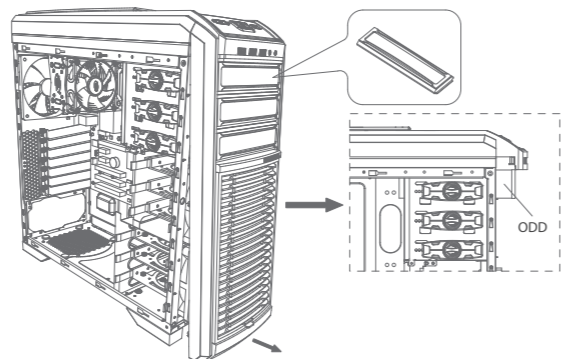
www.deepcool.com

1. Motherboard Installation

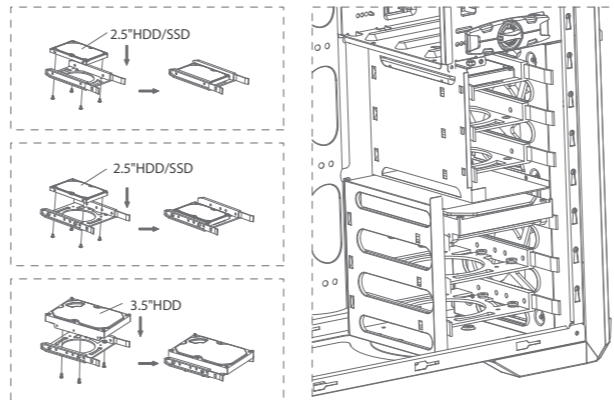
Motherboard Compatible: ATX / MICRO-ATX / MINI-ITX



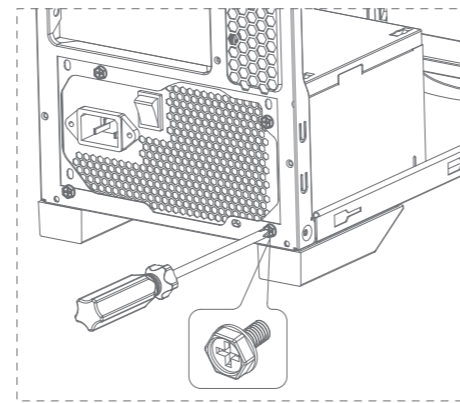
2. 5.25" Drive Bay Installation



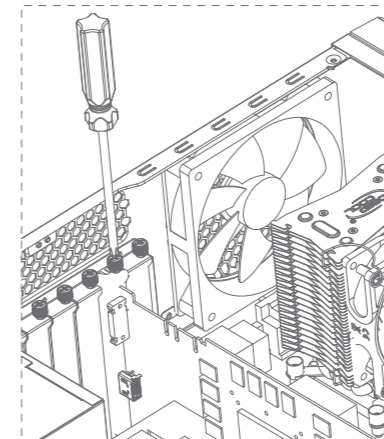
3. HDD Installation



4. Power Supply Installation



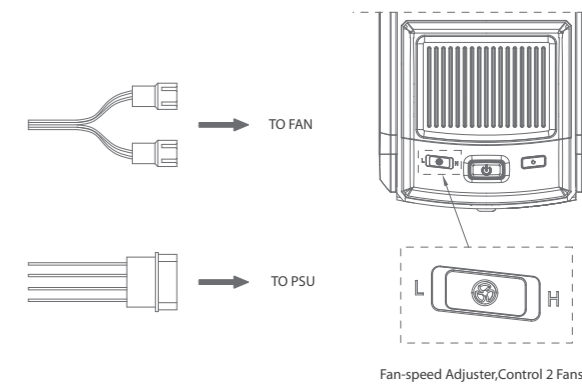
5. PCI card Installation



7. Cable Connection

	Panel Connector	High Definition Audio (Azalia)	USB 2.0 Connector	USB 3.0 Connector
Motherboard	IDELED+ □ □ PLED+ IDELED- □ □ PLED- Ground □ □ PWR Reset □ □ GND NC □ □ No Pin	MIC2_L □ □ AGND MIC2_R □ □ PRESENSE# HP_R □ □ MIC2_JD Jack_Sense □ □ No Pin HP_L □ □ HP_HD	USB+5V □ □ USB+5V USB_P- □ □ USB_P- USB_P+ □ □ USB_P+ GND □ □ GND No Pin □ □ NC	
Cable	POWER SW □ PWR □ GND RESET SW □ Ground □ Reset	H.D.D LED □ IDELED+ □ IDELED- POW LED- □ PLED- POW LED+ □ PLED+		

6. I/O, Outside Control



Fan-speed Adjuster, Control 2 Fans