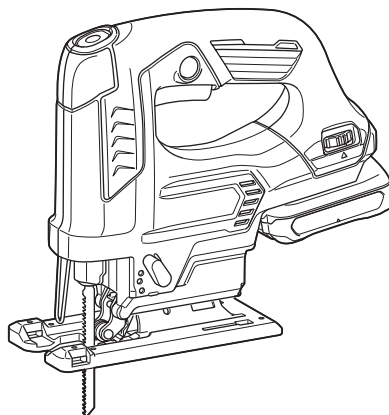


EN	Cordless Jig Saw	INSTRUCTION MANUAL	7
SV	Batteridrivnen sticksåg	BRUKSANVISNING	13
NO	Batteridrevet stikksag	BRUKSANVISNING	20
FI	Langaton lehtisaha	KÄYTTÖOHJE	27
LV	Bezvada figūrzāģis	LIETOŠANAS INSTRUKCIJA	34
LT	Belaidis metalo pjūklelis	NAUDOJIMO INSTRUKCIJA	41
ET	Juhtmeta tikksaag	KASUTUSJUHEND	48
RU	Аккумуляторный Лобзик	РУКОВОДСТВО ПО ЭКСПЛУАТАЦИИ	55

JV103D



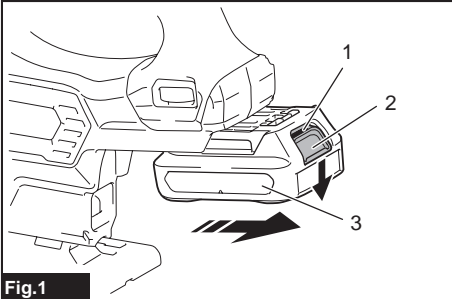


Fig.1

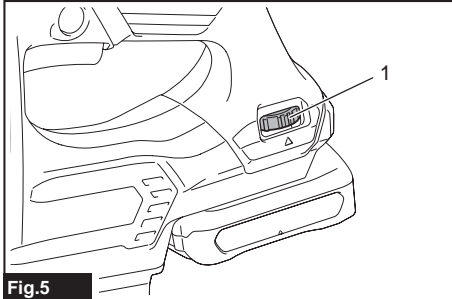


Fig.5

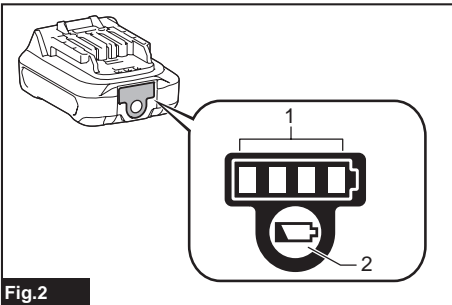


Fig.2

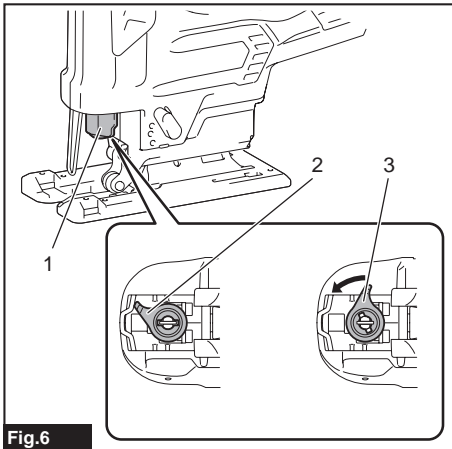


Fig.6

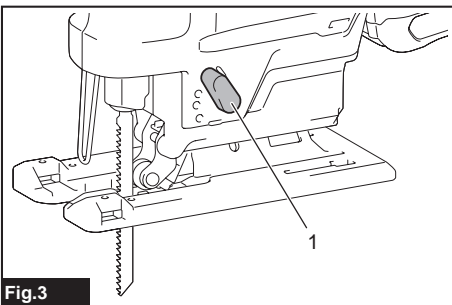


Fig.3

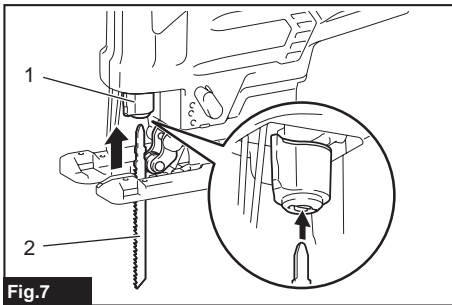


Fig.7

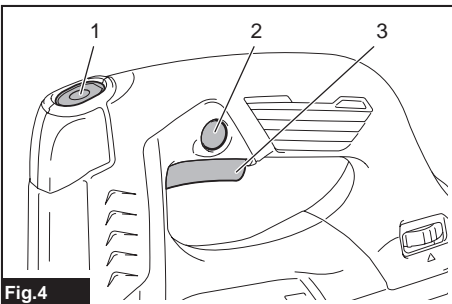


Fig.4

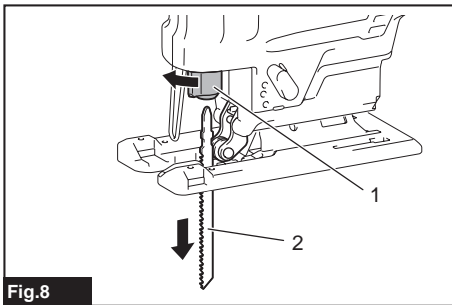


Fig.8

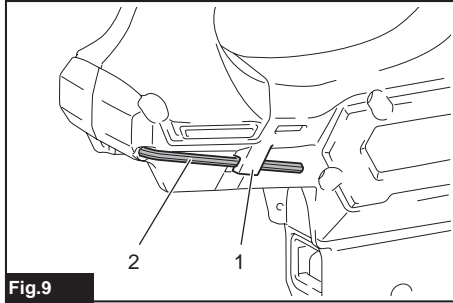


Fig.9

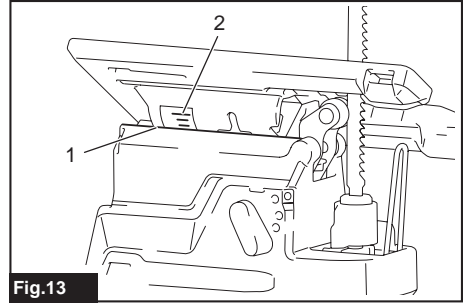


Fig.13

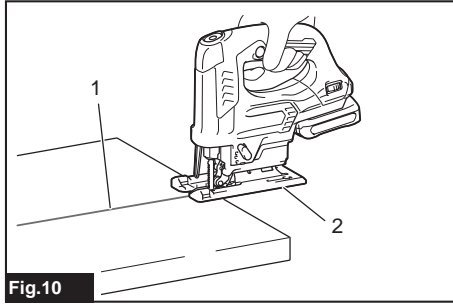


Fig.10

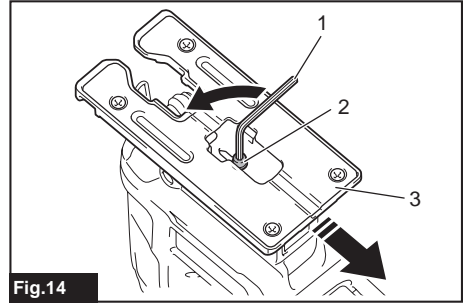


Fig.14

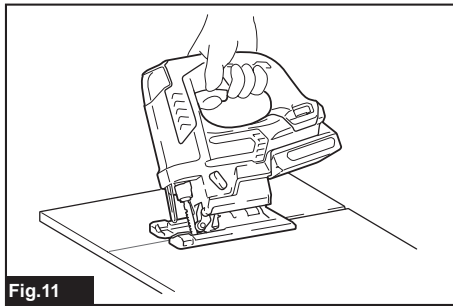


Fig.11

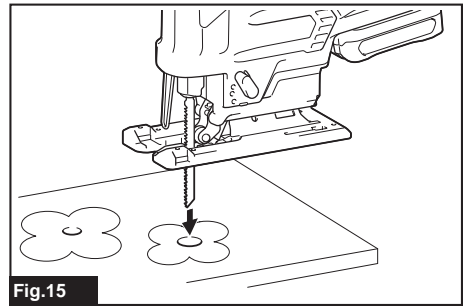


Fig.15

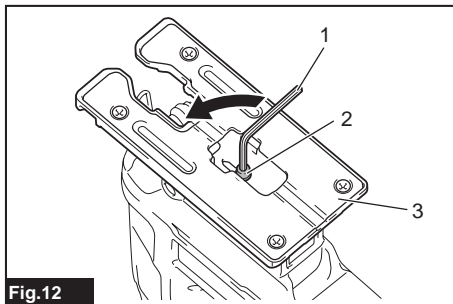


Fig.12

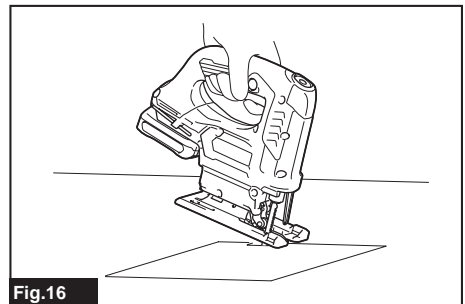


Fig.16

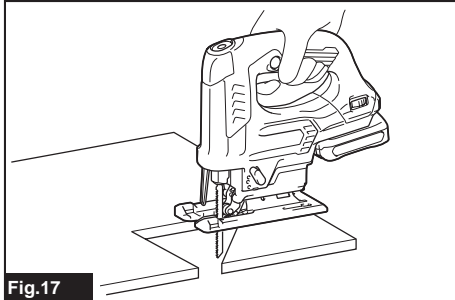


Fig.17

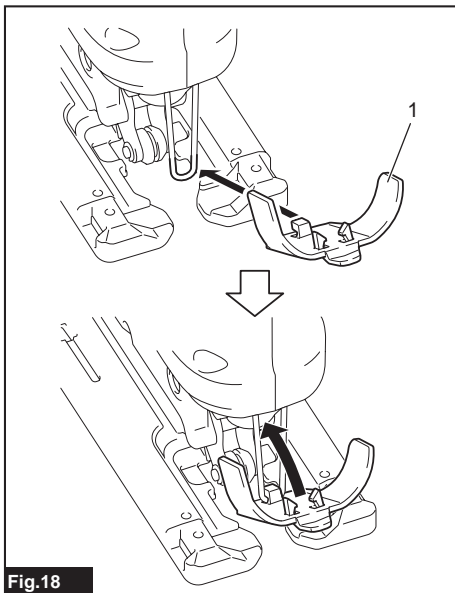


Fig.18

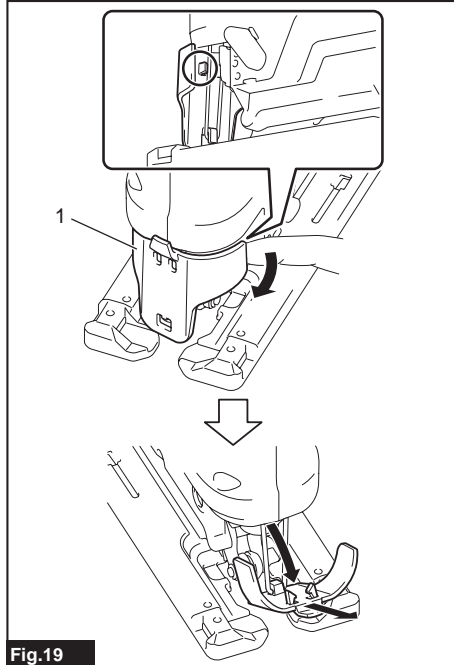


Fig.19

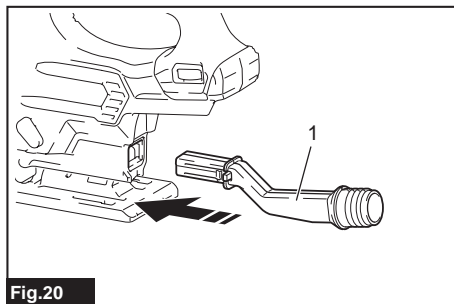


Fig.20

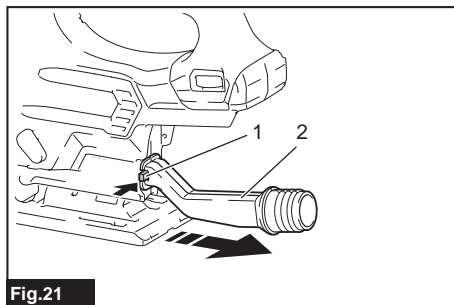
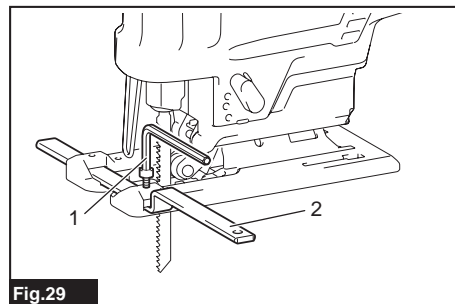
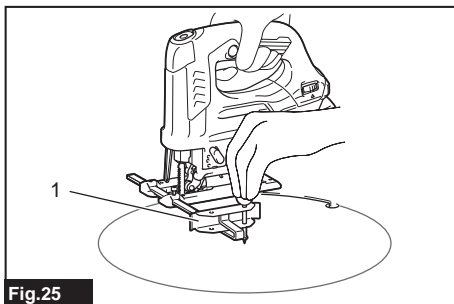
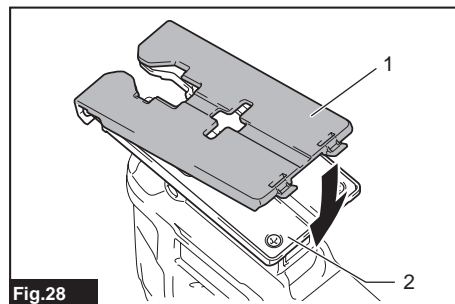
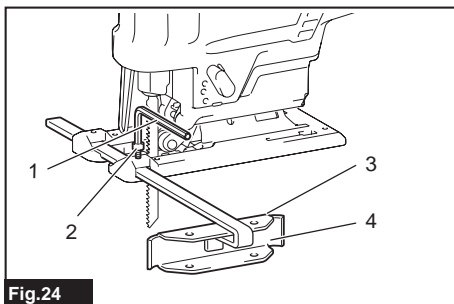
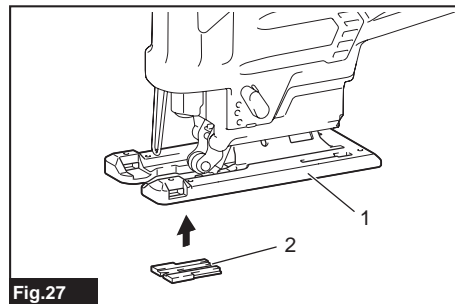
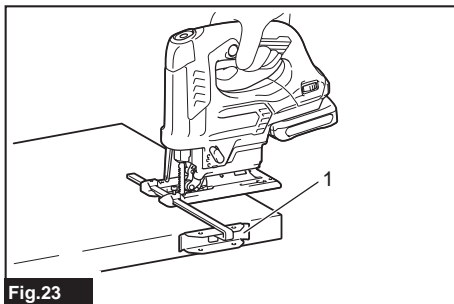
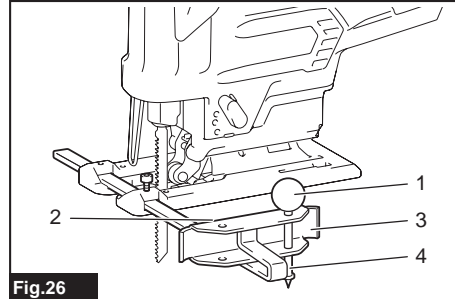
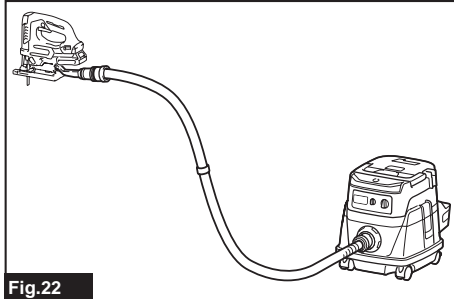


Fig.21



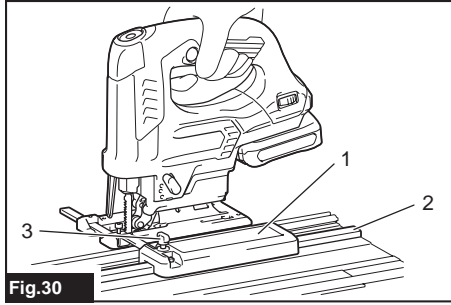


Fig.30

SPECIFICATIONS

Model:	JV103D	
Length of stroke	23 mm	
Strokes per minute	800 - 3,000 min ⁻¹	
Blade type	B type	
Max. cutting capacities	Wood	90 mm
	Mild steel	10 mm
	Aluminum	20 mm
Overall length	237 mm	
Rated voltage	D.C. 10.8 V - 12 V max	
Standard battery cartridge	BL1015 / BL1016 / BL1020B / BL1021B / BL1040B / BL1041B	
Net weight	1.9 - 2.0 kg	

- Due to our continuing program of research and development, the specifications herein are subject to change without notice.
- Specifications and battery cartridge may differ from country to country.
- The weight may differ depending on the attachment(s), including the battery cartridge. The lightest and heaviest combination, according to EPTA-Procedure 01/2014, are shown in the table.

Intended use

The tool is intended for the sawing of wood, plastic and metal materials. As a result of the extensive accessory and saw blade program, the tool can be used for many purposes and is very well suited for curved or circular cuts.

Noise

The typical A-weighted noise level determined according to EN60745:

Sound pressure level (L_{pA}): 85 dB(A)

Sound power level (L_{WA}): 96 dB(A)

Uncertainty (K): 3 dB(A)

⚠ WARNING: Wear ear protection.

Vibration

The vibration total value (tri-axial vector sum) determined according to EN60745:

Work mode: cutting boards

Vibration emission ($a_{n,B}$): 8.5 m/s²

Uncertainty (K): 1.5 m/s²

Work mode: cutting sheet metal

Vibration emission ($a_{n,M}$): 6.0 m/s²

Uncertainty (K): 1.5 m/s²

NOTE: The declared vibration emission value has been measured in accordance with the standard test method and may be used for comparing one tool with another.

NOTE: The declared vibration emission value may also be used in a preliminary assessment of exposure.

⚠ WARNING: The vibration emission during actual use of the power tool can differ from the declared emission value depending on the ways in which the tool is used.

⚠ WARNING: Be sure to identify safety measures to protect the operator that are based on an estimation of exposure in the actual conditions of use (taking account of all parts of the operating cycle such as the times when the tool is switched off and when it is running idle in addition to the trigger time).

EC Declaration of Conformity

For European countries only

The EC declaration of conformity is included as Annex A to this instruction manual.

SAFETY WARNINGS

General power tool safety warnings

⚠ WARNING: Read all safety warnings, instructions, illustrations and specifications provided with this power tool. Failure to follow all instructions listed below may result in electric shock, fire and/or serious injury.

Save all warnings and instructions for future reference.

The term "power tool" in the warnings refers to your mains-operated (corded) power tool or battery-operated (cordless) power tool.

Cordless jig saw safety warnings

1. **Hold power tool by insulated gripping surfaces, when performing an operation where the cutting accessory may contact hidden wiring.** Cutting accessory contacting a "live" wire may make exposed metal parts of the power tool "live" and could give the operator an electric shock.
2. **Use clamps or another practical way to secure and support the workpiece to a stable platform.** Holding the work by hand or against your body leaves it unstable and may lead to loss of control.
3. **Always use safety glasses or goggles.** Ordinary eye or sun glasses are NOT safety glasses.
4. **Avoid cutting nails.** Inspect workpiece for any nails and remove them before operation.
5. **Do not cut oversize workpiece.**
6. **Check for the proper clearance beyond the workpiece before cutting so that the blade will not strike the floor, workbench, etc.**
7. **Hold the tool firmly.**
8. **Make sure the blade is not contacting the workpiece before the switch is turned on.**
9. **Keep hands away from moving parts.**
10. **Do not leave the tool running. Operate the tool only when hand-held.**
11. **Always switch off and wait for the blade to come to a complete stop before removing the blade from the workpiece.**
12. **Do not touch the blade or the workpiece immediately after operation; they may be extremely hot and could burn your skin.**
13. **Do not operate the tool at no-load unnecessarily.**
14. **Some material contains chemicals which may be toxic. Take caution to prevent dust inhalation and skin contact. Follow material supplier safety data.**
15. **Always use the correct dust mask/respirator for the material and application you are working with.**

SAVE THESE INSTRUCTIONS.

⚠WARNING: DO NOT let comfort or familiarity with product (gained from repeated use) replace strict adherence to safety rules for the subject product. MISUSE or failure to follow the safety rules stated in this instruction manual may cause serious personal injury.

Important safety instructions for battery cartridge

1. **Before using battery cartridge, read all instructions and cautionary markings on (1) battery charger, (2) battery, and (3) product using battery.**
2. **Do not disassemble battery cartridge.**
3. **If operating time has become excessively shorter, stop operating immediately. It may result in a risk of overheating, possible burns and even an explosion.**

4. **If electrolyte gets into your eyes, rinse them out with clear water and seek medical attention right away. It may result in loss of your eyesight.**
5. **Do not short the battery cartridge:**
 - (1) **Do not touch the terminals with any conductive material.**
 - (2) **Avoid storing battery cartridge in a container with other metal objects such as nails, coins, etc.**
 - (3) **Do not expose battery cartridge to water or rain.**

A battery short can cause a large current flow, overheating, possible burns and even a breakdown.
6. **Do not store the tool and battery cartridge in locations where the temperature may reach or exceed 50 °C (122 °F).**
7. **Do not incinerate the battery cartridge even if it is severely damaged or is completely worn out. The battery cartridge can explode in a fire.**
8. **Be careful not to drop or strike battery.**
9. **Do not use a damaged battery.**
10. **The contained lithium-ion batteries are subject to the Dangerous Goods Legislation requirements.**

For commercial transports e.g. by third parties, forwarding agents, special requirement on packaging and labeling must be observed. For preparation of the item being shipped, consulting an expert for hazardous material is required. Please also observe possibly more detailed national regulations.

Tape or mask off open contacts and pack up the battery in such a manner that it cannot move around in the packaging.
11. **Follow your local regulations relating to disposal of battery.**

SAVE THESE INSTRUCTIONS.

⚠CAUTION: Only use genuine Makita batteries. Use of non-genuine Makita batteries, or batteries that have been altered, may result in the battery bursting causing fires, personal injury and damage. It will also void the Makita warranty for the Makita tool and charger.

Tips for maintaining maximum battery life

1. **Charge the battery cartridge before completely discharged. Always stop tool operation and charge the battery cartridge when you notice less tool power.**
2. **Never recharge a fully charged battery cartridge. Overcharging shortens the battery service life.**
3. **Charge the battery cartridge with room temperature at 10 °C - 40 °C (50 °F - 104 °F). Let a hot battery cartridge cool down before charging it.**

FUNCTIONAL DESCRIPTION

CAUTION: Always be sure that the tool is switched off and the battery cartridge is removed before adjusting or checking function on the tool.

Installing or removing battery cartridge

CAUTION: Always switch off the tool before installing or removing of the battery cartridge.

CAUTION: Hold the tool and the battery cartridge firmly when installing or removing battery cartridge.

Failure to hold the tool and the battery cartridge firmly may cause them to slip off your hands and result in damage to the tool and battery cartridge and a personal injury.

► Fig.1: 1. Red indicator 2. Button 3. Battery cartridge

To remove the battery cartridge, slide it from the tool while sliding the button on the front of the cartridge.

To install the battery cartridge, align the tongue on the battery cartridge with the groove in the housing and slip it into place. Insert it all the way until it locks in place with a little click. If you can see the red indicator on the upper side of the button, it is not locked completely.

CAUTION: Always install the battery cartridge fully until the red indicator cannot be seen. If not, it may accidentally fall out of the tool, causing injury to you or someone around you.

CAUTION: Do not install the battery cartridge forcibly. If the cartridge does not slide in easily, it is not being inserted correctly.

Tool / battery protection system

The tool is equipped with a tool/battery protection system. This system automatically cuts off power to the motor to extend tool and battery life. The tool will automatically stop during operation if the tool or battery is placed under one of the following conditions:

Overload protection

When the battery is operated in a manner that causes it to draw an abnormally high current, the tool automatically stops without any indication. In this situation, turn the tool off and stop the application that caused the tool to become overloaded. Then turn the tool on to restart.

Overheat protection

When the tool or battery is overheated, the tool stops automatically and the lamp blinks. In this case, let the tool and battery cool before turning the tool on again.

Overdischarge protection









When the battery capacity is not enough, the tool stops automatically. If you turn the tool on, the motor runs again but stops soon. In this case, remove the battery from the tool and charge the battery.

Indicating the remaining battery capacity

Only for battery cartridges with the indicator

► Fig.2: 1. Indicator lamps 2. Check button

Press the check button on the battery cartridge to indicate the remaining battery capacity. The indicator lamps light up for a few seconds.

Indicator lamps		Remaining capacity
Lighted	Off	
		75% to 100%
		50% to 75%
		25% to 50%
		0% to 25%

NOTE: Depending on the conditions of use and the ambient temperature, the indication may differ slightly from the actual capacity.

Selecting the cutting action

► Fig.3: 1. Cutting action changing lever

This tool can be operated with an orbital or a straight line (up and down) cutting action. The orbital cutting action thrusts the jig saw blade forward on the cutting stroke and greatly increases cutting speed.

To change the cutting action, just turn the cutting action changing lever to the desired cutting action position. Refer to the table to select the appropriate cutting action.

Position	Cutting action	Applications
0	Straight line cutting action	For cutting mild steel, stainless steel and plastics.
		For clean cuts in wood and plywood.
I	Small orbit cutting action	For cutting mild steel, aluminum and hard wood.
II	Medium orbit cutting action	For cutting wood and plywood.
		For fast cutting in aluminum and mild steel.
III	Large orbit cutting action	For fast cutting in wood and plywood.

Switch action

To turn on the tool, press the lock/unlock button. The tool turns into the standby mode. To start the tool, pull the switch trigger in the standby mode. To stop the tool, release the switch trigger. The tool turns into the standby mode. To turn off the tool, press the lock/unlock button in the standby mode.

For continuous operation, pull the switch trigger in the standby mode, and then push in the lock on button. To stop the tool, pull the switch trigger fully, and then release it.

- **Fig.4:** 1. Lock/unlock button 2. Lock on button 3. Switch trigger

NOTE: If the tool is left for 10 seconds without any operation in the standby mode, the tool automatically turns off and the lamp goes off.

NOTE: The lock/unlock button is not available while the tool is operating.

Lighting up the front lamp

CAUTION: Do not look in the light or see the source of light directly.

To turn on the lamp, press the lock/unlock button. To turn off the lamp, press the lock/unlock button again.

NOTICE: When the tool is overheated, the lamp flickers. Cool down the tool fully before operating the tool again.

NOTE: Use a dry cloth to wipe the dirt off the lens of the lamp. Be careful not to scratch the lens of lamp, or it may lower the illumination.

Speed adjusting dial

- **Fig.5:** 1. Speed adjusting dial

The tool speed can be adjusted by turning the speed adjusting dial. You can get the highest speed at 5 and the lowest speed at 1.

Refer to the table to select the proper speed for the workpiece to be cut. However, the appropriate speed may differ with the type or thickness of the workpiece. In general, higher speeds will allow you to cut workpieces faster but the service life of the blade will be reduced.

Workpiece	Number
Wood	4 - 5
Mild steel	3 - 5
Stainless steel	3 - 4
Aluminum	3 - 5
Plastics	1 - 4

NOTICE: When changing the speed dial from "5" to "1", turn the dial counterclockwise. Do not turn the dial clockwise forcibly.

Electronic function

The tool is equipped with the electronic functions for easy operation.

- Soft start
The soft-start function minimizes start-up shock, and makes the tool start smoothly.
- Soft no-load rotation
To reduce the vibration and align the jig saw blade with the cutting line easily, the tool automatically reduces the rotation speed until the tool starts cutting the workpiece when the speed adjusting dial is set at 2 or higher. Once the tool starts cutting the workpiece, the tool speed reaches the preset speed and keeps the speed until the tool stops.

NOTE: When the temperature is low, this function may not be available.

Disabling the soft no-load rotation function

To disable the soft no-load rotation function, follow the steps below.

1. Make sure that the tool is turned off.
2. Set the speed adjusting dial to "1".
3. Press the lock/unlock button to turn on the tool.
4. Set the speed adjusting dial to "5" by turning it, and then set it to "1" by turn it back.

The lamp blinks twice to indicate that the soft no-load rotation function is disabled. To enable this function again, perform the same procedure again.

NOTE: If the soft no-load rotation function is disabled, the lamp blinks twice when the tool is turned on.

NOTE: You can also disable or enable the soft no-load rotation function by changing the speed adjusting dial from "5" to "1" and changing it from "1" to "5".

ASSEMBLY

CAUTION: Always be sure that the tool is switched off and the battery cartridge is removed before carrying out any work on the tool.

Installing or removing jig saw blade

CAUTION: Always clean out all chips or foreign matter adhering to the jig saw blade and/or blade holder. Failure to do so may cause insufficient tightening of the blade, resulting in a serious personal injury.

CAUTION: Do not touch the jig saw blade or the workpiece immediately after operation. They may be extremely hot and could burn your skin.

CAUTION: Always secure the jig saw blade firmly. Insufficient tightening of the blade may cause blade breakage or serious personal injury.

CAUTION: Use only B type jig saw blades. Using blades other than B type causes insufficient tightening of the blade, resulting in a serious personal injury.

CAUTION: When you remove the jig saw blade, be careful not to hurt your fingers with the top of the blade or the tips of workpiece.

Before installing the jig saw blade, make sure that the blade clamp lever is in the released position. To install the jig saw blade, insert the blade (teeth facing forward) into the blade holder. The lever moves to the fixed position and the blade is locked. Make sure that the back edge of the blade fits into the roller. Pull the blade lightly to make sure that the blade does not fall off during operation.

- **Fig.6:** 1. Jig saw blade holder 2. Released position 3. Fixed position

- **Fig.7:** 1. Jig saw blade holder 2. Jig saw blade

CAUTION: If the lever does not move to the fixed position, the blade is not installed completely. Do not press the lever by hand to the fixed position. It may damage the tool.

To remove the jig saw blade, push the lever forward as far as it will go. This allows the blade to be released.

► **Fig.8:** 1. Jig saw blade holder 2. Jig saw blade

NOTE: Occasionally lubricate the roller.

Hex wrench storage

► **Fig.9:** 1. Hook 2. Hex wrench

When not in use, store the hex wrench as shown in the figure to keep it from being lost.

First, insert the hex wrench into the hole. Then push it into the hook until it locked.

OPERATION

CAUTION: Always hold the base flush with the workpiece. Failure to do so may cause jig saw blade breakage, resulting in a serious injury.

CAUTION: Advance the tool very slowly when cutting curves or scrolling. Forcing the tool may cause a slanted cutting surface and jig saw blade breakage.

► **Fig.10:** 1. Cutting line 2. Base

Turn the tool on without the jig saw blade making any contact and wait until the blade attains full speed. Then rest the base flat on the workpiece and gently move the tool forward along the previously marked cutting line.

Bevel cutting

CAUTION: Always be sure that the tool is switched off and the battery cartridge is removed before tilting the base.

With the base tilted, you can make bevel cuts at any angle between 0° and 45° (left or right).

► **Fig.11**

Loosen the bolt on the back of the base with the hex wrench. Move the base so that the bolt is positioned in the center of the cross-shaped slot in the base.

► **Fig.12:** 1. Hex wrench 2. Bolt 3. Base

Tilt the base until the desired bevel angle is obtained. The edge of the motor housing indicates the bevel angle by graduations. Then tighten the bolt to secure the base.

► **Fig.13:** 1. Edge 2. Graduation

Front flush cuts

► **Fig.14:** 1. Hex wrench 2. Bolt 3. Base

Loosen the bolt on the back of the base with the hex wrench and slide the base all the way back. Then tighten the bolt to secure the base.

Cutouts

Cutouts can be made with either of two methods “Boring a starting hole” or “Plunge cutting”.

Boring a starting hole

► **Fig.15**

For internal cutouts without a lead-in cut from an edge, pre-drill a starting hole 12 mm or more in diameter. Insert the jig saw blade into this hole to start your cut.

Plunge cutting

► **Fig.16**

You need not bore a starting hole or make a lead-in cut if you carefully do as follows.

1. Tilt the tool up on the front edge of the base with the jig saw blade point positioned just above the workpiece surface.
2. Apply pressure to the tool so that the front edge of the base will not move when you switch on the tool and gently lower the back end of the tool slowly.
3. As the jig saw blade pierces the workpiece, slowly lower the base of the tool down onto the workpiece surface.
4. Complete the cut in the normal manner.

Finishing edges

► **Fig.17**

To trim edges or make dimensional adjustments, run the jig saw blade lightly along the cut edges.

Metal cutting

Always use a suitable coolant (cutting oil) when cutting metal. Failure to do so will cause significant jig saw blade wear. The underside of the workpiece can be greased instead of using a coolant.

Dust extraction

Optional accessory

Clean cutting operations can be performed by connecting this tool to a Makita vacuum cleaner.

Installing or removing the dust cover

Install the dust cover as shown in the figure.

► **Fig.18:** 1. Dust cover

To remove the dust cover, press one side of the cover, and then remove it as shown in the figure.

► **Fig.19:** 1. Dust cover

Installing or removing the dust nozzle

Insert the dust nozzle all the way into the tool.

► **Fig.20:** 1. Dust nozzle

To remove the dust nozzle, pull out the dust nozzle while pressing the button on the dust nozzle.

► **Fig.21:** 1. Button 2. Dust nozzle

Connecting the tool to the vacuum cleaner

Connect the hose of the vacuum cleaner to the dust nozzle.

► **Fig.22**

Rip fence

Optional accessory

CAUTION: Always be sure that the tool is switched off and the battery cartridge is removed before installing or removing accessories.

Straight cuts

When repeatedly cutting widths of 160 mm or less, use of the rip fence will assure fast, clean, straight cuts.

► **Fig.23:** 1. Rip fence (Guide rule)

To install, insert the rip fence into the rectangular hole on the side of the base with the fence guide facing down. Slide the rip fence to the desired cutting width position, then tighten the bolt to secure it.

► **Fig.24:** 1. Hex wrench 2. Bolt 3. Fence guide 4. Rip fence (Guide rule)

Circular cuts

When cutting circles or arcs of 170 mm or less in radius, install the rip fence as follows.

► **Fig.25:** 1. Rip fence (Guide rule)

1. Insert the rip fence into the rectangular hole on the side of the base with the fence guide facing up.

2. Insert the circular guide pin through either of the two holes on the fence guide. Screw the threaded knob onto the pin to secure the pin.

► **Fig.26:** 1. Threaded knob 2. Fence guide 3. Rip fence (Guide rule) 4. Pin

3. Slide the rip fence to the desired cutting radius, and tighten the bolt to secure it in place. Then move the base all the way forward.

NOTE: Always use jig saw blades No. B-17, B-18, B-26 or B-27 when cutting circles or arcs.

Anti-splintering device

Optional accessory

CAUTION: The anti-splintering device cannot be used when making bevel cuts.

► **Fig.27:** 1. Base 2. Anti-splintering device

For splinter-free cuts, the anti-splintering device can be used. To install the anti-splintering device, move the tool base all the way forward and fit it from the back of tool base.

When you use the cover plate, install the anti-splintering device onto the cover plate.

Cover plate

Optional accessory

► **Fig.28:** 1. Cover plate 2. Base

Use the cover plate when cutting decorative veneers, plastics, etc. It protects sensitive or delicate surfaces from damage. Fit it on the back of the tool base.

Guide rail adapter set

Optional accessory

When cutting parallel and uniform width or cutting straight, the use of the guide rail and the guide rail adapter will assure the production of fast and clean cuts. To install the guide rail adapter, insert the rule bar into the square hole of the base as far as it goes. Secure the bolt with the hex wrench securely.

► **Fig.29:** 1. Hex wrench 2. Rule bar

Insert the rule bar into the square hole of the guide rail adapter, and secure the screw firmly. Place the guide rail adapter on the guide rail.

► **Fig.30:** 1. Guide rail adapter 2. Guide rail 3. Screw

NOTICE: Always use blades No. B-8, B-13, B-16, B-17 or 58 when using the guide rail and the guide rail adapter.

MAINTENANCE

CAUTION: Always be sure that the tool is switched off and the battery cartridge is removed before attempting to perform inspection or maintenance.

NOTICE: Never use gasoline, benzine, thinner, alcohol or the like. Discoloration, deformation or cracks may result.

To maintain product SAFETY and RELIABILITY, repairs, any other maintenance or adjustment should be performed by Makita Authorized or Factory Service Centers, always using Makita replacement parts.

OPTIONAL ACCESSORIES

CAUTION: These accessories or attachments are recommended for use with your Makita tool specified in this manual. The use of any other accessories or attachments might present a risk of injury to persons. Only use accessory or attachment for its stated purpose.

If you need any assistance for more details regarding these accessories, ask your local Makita Service Center.

- Jig saw blades
- Hex wrench 3
- Rip fence (guide rule) set
- Guide rail adapter set
- Anti-splintering device
- Hose (For vacuum cleaner)
- Cover plate
- Dust nozzle
- Dust cover
- Makita genuine battery and charger

NOTE: Some items in the list may be included in the tool package as standard accessories. They may differ from country to country.

SPECIFIKATIONER

Modell:	JV103D	
Slaglängd	23 mm	
Slag per minut	800 - 3 000 min ⁻¹	
Typ av sågblad	Typ B	
Max. kapningskapacitet	Trä	90 mm
	Mjukt stål	10 mm
	Aluminium	20 mm
Total längd	237 mm	
Märkspänning	10,8 V likström - 12 V max	
Standardbatterikassett	BL1015 / BL1016 / BL1020B / BL1021B / BL1040B / BL1041B	
Nettovikt	1,9 - 2,0 kg	

- På grund av vårt pågående program för forskning och utveckling kan dessa specifikationer ändras utan föregående meddelande.
- Specifikationer och batterikassett kan variera mellan olika länder.
- Vikten kan variera beroende på tillbehören, inklusive batterikassett. Den lättaste och den tyngsta kombinationen enligt EPTA-procedur 01/2014 visas i tabellen.

Avsedd användning

Verktyget är avsett för sågning i trä, plast och metallmaterial. Tack vare ett stort urval tillbehör och sågblad kan verktyget användas för många ändamål, och är i synnerhet väl lämpat för cirkel- eller bågsågning.

Buller

Den normala bullernivån för A-belastning är bestämd enligt EN60745:

Ljudtrycksnivå (L_{pA}): 85 dB (A)

Ljudeffektnivå (L_{WA}): 96 dB (A)

Måttolerans (K): 3 dB (A)

⚠ VARNING: Använd hörselskydd.

Vibration

Det totala vibrationsvärdet (treaxlad vektorsumma) bestämt enligt EN60745:

Arbetsläge: skivsågning

Vibrationsemission ($a_{h,B}$): 8,5 m/s²

Måttolerans (K): 1,5 m/s²

Arbetsläge: sågning av metallplåt

Vibrationsemission ($a_{h,M}$): 6,0 m/s²

Måttolerans (K): 1,5 m/s²

OBS: Det deklarerade vibrationsemissionsvärdet har uppmätts i enlighet med standardtestmetoden och kan användas för att jämföra en maskin med en annan.

OBS: Det deklarerade vibrationsemissionsvärdet kan också användas i en preliminär bedömning av exponering för vibration.

⚠ VARNING: Vibrationsemissionen under faktisk användning av maskinen kan skilja sig från det deklarerade emissionsvärdet, beroende på hur maskinen används.

⚠ VARNING: Var noga med att identifiera säkerhetsåtgärder för att skydda användaren, vilka är grundade på en uppskattning av graden av exponering för vibrationer under de faktiska användningsförhållandena, (ta, förutom avtryckartiden, med alla delar av användarcykeln i beräkningen, som till exempel tiden då maskinen är avstängd och när den går på tomgång).

EG-försäkran om överensstämmelse

Gäller endast inom EU

EG-försäkran om överensstämmelse inkluderas som bilaga A till denna bruksanvisning.

SÄKERHETSVARNINGAR

Allmänna säkerhetsvarningar för maskiner

⚠ VARNING: Läs alla säkerhetsvarningar, anvisningar, illustrationer och specifikationer som medföljer det här maskinen. Underlåtenhet att följa instruktionerna kan leda till elstötar, brand och/eller allvarliga personskador.

Spara alla varningar och instruktioner för framtida referens.

Termen "maskin" som anges i varningarna hänvisar till din eldrivna maskin (sladdansluten) eller batteridrivna maskin (sladdlös).

Säkerhetsvarningar för batteridrivna sticksåg

1. Håll maskinen i de isolerade handtagen om det finns risk för att sågverket kan komma i kontakt med en dold elkabel. Om sågverket kommer i kontakt med en strömförande ledning blir maskinens blottlagda metalldelar strömförande och kan ge användaren en elektrisk stöt.
2. Använd tvingar eller liknande för att säkra och stödja arbetsstycket på ett stabilt underlag. Att hålla arbetsstycket i händerna eller mot kroppen ger inte tillräckligt stöd, och du riskerar då att förlora kontrollen.
3. Använd alltid skyddsglasögon. Vanliga glasögon och solglasögon är INTE skyddsglasögon.
4. Undvik att säga i spik. Ta bort alla spikar i arbetsstycket innan du säger.
5. Säg inte för stora arbetsstycken.
6. Kontrollera att det finns tillräckligt med fritt utrymme under arbetsstycket innan arbetet påbörjas så att sågbladet inte slår emot golvet, arbetsbänken osv.
7. Håll verktyget i ett fast grepp.
8. Se till att sågbladet inte är i kontakt med arbetsstycket innan du trycker på avtryckaren.
9. Håll händerna borta från rörliga delar.
10. Lämnar inte maskinen igång. Använd endast maskinen när du håller den i händerna.
11. Stäng av maskinen och vänta tills bladet stannat helt innan bladet avlägsnas från arbetsstycket.
12. Rör inte vid sågbladet eller arbetsstycket omedelbart efter avslutat arbete eftersom de kan vara mycket heta och ge brännskador.
13. Använd inte maskinen obelastad i onödan.
14. Vissa material kan innehålla giftiga kemikalier. Se till att du inte andas in damm eller får det på huden. Följ anvisningarna i leverantörens materialsäkerhetsblad.
15. Använd alltid andningsskydd eller skyddsmask anpassat för det material du arbetar med när du säger.

SPARA DESSA ANVISNINGAR.

⚠ VARNING: GLÖM INTE att också fortsättningsvis strikt följa säkerhetsanvisningarna för maskinen även efter att du blivit van att använda den. Vid FELAKTIG HANTERING av maskinen eller om inte säkerhetsanvisningarna i denna bruksanvisning följs kan följden bli allvarliga personskador.

Viktiga säkerhetsanvisningar för batterikassetten

1. Innan batterikassetten används ska alla instruktioner och varningsmärken på (1) batteriladdaren, (2) batteriet och (3) produkten läsas.
2. Montera inte isär batterikassetten.
3. Om drifttiden blivit avsevärt kortare ska användningen avbrytas omedelbart. Det kan uppstå överhettning, brännskador och t o m en explosion.

4. Om du får elektrolyt i ögonen ska de sköljas med rent vatten och läkare uppsöks omedelbart. Det finns risk för att synen förloras.
5. Kortslut inte batterikassetten.
 - (1) Rör inte vid polerna med något strömförande material.
 - (2) Undvik att förvara batterikassetten tillsammans med andra metallobjekt som t.ex. spikar, mynt o.s.v.
 - (3) Skydda batteriet mot vatten och regn. En batterikortslutning kan orsaka ett stort strömflöde, överhettning, brand och maskinhaveri.
6. Förvara inte maskinen och batterikassetten på platser där temperaturen kan nå eller överstiga 50 °C.
7. Bränn inte upp batterikassetten även om den är svårt skadad eller helt utsliten. Batterikassetten kan explodera i öppen eld.
8. Var försiktig så att du inte råkar tappa batteriet och utsätt det inte för stötar.
9. Använd inte ett skadat batteri.
10. De medföljande litiumjonbatterierna är föremål för kraven i gällande lagstiftning för farligt gods.

För kommersiella transporter (av t.ex. tredje parter som speditionsfirmor) måste de särskilda transportkrav som anges på emballaget och etiketter iakttas.

För att förbereda den produkt som ska avsändas krävs att du konsulterar en expert på riskmaterial. Var också uppmärksam på att det i ditt land kan finnas ytterligare föreskrifter att följa.

Tejpa över eller maskera blottade kontakter och packa batteriet på sådant sätt att det inte kan röra sig fritt i förpackningen.
11. Följ lokala föreskrifter beträffande avfallshandling av batteriet.

SPARA DESSA ANVISNINGAR.

⚠ FÖRSIKTIGT: Använda endast äkta Makita-batterier. Användning av oäkta Makita-batterier eller batterier som har manipulerats kan leda till person- och utrustningsskador eller till att batteriet fattar eld. Det upphäver också Makitas garanti för verktyget och laddaren.

Tips för att uppnå batteriets maximala livslängd

1. Ladda batterikassetten innan den är helt urladdad. Stanna alltid maskinen och ladda batterikassetten när du märker att maskinen blir svagare.
2. Ladda aldrig en fulladdad batterikassett. Överladdning förkortar batteriets livslängd.
3. Ladda batterikassetten vid en rumstemperatur på 10 °C - 40 °C. Låt en varm batterikassett svalna innan den laddas.

FUNKTIONSBESKRIVNING

⚠ FÖRSIKTIGT: Se alltid till att maskinen är avstängd och batterikassetten borttagen innan du justerar maskinen eller kontrollerar dess funktioner.

Montera eller demontera batterikassetten

⚠ FÖRSIKTIGT: Stäng alltid av maskinen innan du monterar eller tar bort batterikassetten.

⚠ FÖRSIKTIGT: Håll stadigt i maskinen och batterikassetten när du monterar eller tar bort batterikassetten. I annat fall kan det leda till att de glider ur dina händer och orsakar skada på maskinen och batterikassetten samt personskada.

► **Fig.1:** 1. Röd indikator 2. Knapp 3. Batterikassett

Ta bort batterikassetten genom att skjuta ner knappen på kassetten framsida samtidigt som du drar ut batterikassetten.

Sätt i batterikassetten genom att rikta in tungan på batterikassetten mot spåret i höljet och skjut den på plats. Tryck in batterikassetten ordentligt tills den låser fast med ett klick. Om du kan se den röda indikatorn på knappens ovansida är den inte låst ordentligt.

⚠ FÖRSIKTIGT: Sätt alltid i batterikassetten helt tills den röda indikatorn inte längre syns. I annat fall kan den oväntat falla ur maskinen och skada dig eller någon annan.

⚠ FÖRSIKTIGT: Montera inte batterikassetten med våld. Om kassetten inte lätt glider på plats är den felinsatt.

Skyddssystem för maskinen/batteriet

Verktyget är utrustat med ett skyddssystem för verktyget/batteriet. Detta system bryter automatiskt strömmen till motorn för att förlänga verktygets och batteriets livslängd. Verktyget stoppar automatiskt under användningen om verktyget eller batteriet hamnar i en av följande situationer:

Överbelastningsskydd

Om batteriet används på ett sätt som gör att det drar onormalt mycket ström kan det stoppas automatiskt utan någon varning. När detta sker stänger du av verktyget och upphör med arbetet som gjorde att verktyget överbelastades. Starta därefter verktyget igen.

Överhettningsskydd

När verktyget eller batteriet överhettas stoppas det automatiskt och lampan börjar blinka. I sådant fall ska du låta verktyget och batteriet svalna innan du startar verktyget igen.

Överurladdningsskydd

När batterikapacitet är otillräcklig stoppar maskinen automatiskt. Om du trycker in avtryckaren går motorn igång men stannar snart igen. I sådant fall ska batteriet tas ur maskinen och laddas.

Indikerar kvarvarande batterikapacitet

Endast för batterikassetter med indikator

► **Fig.2:** 1. Indikatorlampor 2. Kontrollknapp

Tryck på kontrollknappen på batterikassetten för att se kvarvarande batterikapacitet. Indikatorlamporna lyser i ett par sekunder.

Indikatorlampor		Återstående kapacitet
Upplyst	Av	
■ ■ ■ ■		75% till 100%
■ ■ ■ □		50% till 75%
■ ■ □ □		25% till 50%
■ □ □ □		0% till 25%

OBS: Beroende på användningsförhållanden och den omgivande temperaturen kan indikationen skilja sig lätt från den faktiska batterikapaciteten.

Val av sågfunktion

► **Fig.3:** 1. Omkopplingsreglage för sågfunktion

Maskinen kan användas med sågbladet i en pendlande eller en rak sågrörelse (uppåt och nedåt). Vid pendelsågning kastas sticksågbladet framåt i sågmomentet, vilket ger en markant ökning av såghastigheten.

Ändra sågfunktionen genom att vrida omkopplingsreglaget för sågfunktion till önskat sågfunktionsläge. Se tabellen för val av passande sågfunktion.

Läge	Sågfunktion	Användningsområde
0	Rak sågrörelse	För sågning i mjukt stål, rostfritt stål och plast. För rena sågningar i trä och plywood.
I	Sågning i en liten cirkel	För sågning i mjukt stål, aluminium och hårt trä.
II	Sågning i en medelstor cirkel	För sågning i trä och plywood. För snabb sågning i aluminium och mjukt stål.
III	Sågning i en stor cirkel	För snabb sågning i trä och plywood.

Avtryckarens funktion

Tryck på läs-/upplåsningsknappen för att starta maskinen. Maskinen går till standby-läge. Starta verktyget genom att trycka in avtryckaren i standby-läge. För att stoppa maskinen släpper du avtryckaren. Maskinen går till standby-läge. För att stänga av maskinen i standby-läge, tryck på läs-/upplåsningsknappen. För kontinuerlig användning trycker du först in avtryckaren i standby-läge och sedan trycker du in fastlåsningsknappen. Tryck in avtryckaren helt och släpp den sedan för att stanna maskinen.

- **Fig.4:** 1. Lås-/upplåsningsknapp
2. Fastlåsningsknapp 3. Avtryckare

OBS: Om maskinen lämnas i 10 sekunder utan några åtgärder i standbyläge, stängs maskinen automatiskt av och lampan släcks.

OBS: Lås-/upplåsningsknappen är inte tillgänglig när maskinen är i drift.

Tända frontlampan

⚠ FÖRSIKTIGT: Titta inte in i ljuset eller direkt i ljuskällan.

Tryck på läs-/upplåsningsknappen för att släcka lampan. Tryck på läs-/upplåsningsknappen igen för att tända lampan.

OBSERVERA: Lampan blinkar när maskinen är överhettad. Låt maskinen svalna fullständigt innan den används igen.

OBS: Använd en torr trasa för att torka bort smuts från lampglaset. Var försiktig så att inte lampglaset repas eftersom ljuset då kan bli svagare.

Ratt för hastighetsinställning

- **Fig.5:** 1. Ratt för hastighetsinställning

Maskinhastigheten kan ställas in genom att vrida på ratten för hastighetsinställning. Hastigheten blir högst vid 5 och lägst vid 1.

Se tabellen för att välja rätt hastighet för det arbetsstycke som skall sågas. Passande hastighet kan däremot variera beroende på arbetsstyckets tjocklek. Generellt sett kan du med en snabbare hastighet såga stycken snabbare, men livslängden för sågbladet minskar.

Arbetsstycke	Nummer
Trä	4 - 5
Mjukt stål	3 - 5
Rosfrött stål	3 - 4
Aluminium	3 - 5
Plast	1 - 4

OBSERVERA: Vid byte på hastighetsratten från "5" till "1", vrid ratten moturs. Vrid inte ratten medurs med våld.

Elektronisk funktion

Maskinen är utrustad med elektroniska funktioner för enkel användning.

- **Mjukstart**
Mjukstartsfunktionen minimerar ryck vid uppstarten och gör att maskinen får en mjuk start.
- **Mjuk rotation utan last**
För att reducera vibrationerna och enkelt rikta in sticksågbladet efter såglinjen sänker maskinen automatiskt rotationshastigheten tills maskinen börjar såga i arbetsstycket när ratten för hastighetsinställning är inställd på 2 eller högre. När maskinen väl börjar såga i arbetsstycket ökar maskinen hastigheten till inställd hastighet och håller denna hastighet tills maskinen stannar.

OBS: När temperaturen är låg kanske denna funktion inte är tillgänglig.

Inaktivera funktionen mjuk rotation utan last

För att inaktivera funktionen mjuk rotation utan last, följ stegen nedan.

1. Se till att maskinen är avstängd.
2. Ställ in ratten för hastighetsinställning på "1".
3. Tryck på läs-/upplåsningsknappen för att starta maskinen.
4. Ställ in ratten för hastighetsinställning på "5" genom att vrida den, och ställ den sedan på "1" genom att vrida tillbaka den.

Lampan blinkar två gånger för att indikera att funktionen mjuk rotation utan last är inaktiverad. För att aktivera denna funktion igen, utför samma procedur igen.

OBS: Om funktionen mjuk rotation utan last är inaktiverad blinkar lampan två gånger när maskinen startar.

OBS: Du kan även inaktivera eller aktivera funktionen mjuk rotation utan last genom att ändra på ratten för hastighetsinställning från "5" till "1" och sedan från "1" till "5".

MONTERING

⚠ FÖRSIKTIGT: Se alltid till att maskinen är avstängd och batterikassetten borttagen innan du underhåller maskinen.

Montering eller demontering av sticksågblad

⚠ FÖRSIKTIGT: Ta alltid bort spån och annat främmande material som sitter fast på sticksågbladet och/eller bladhållaren. Om du inte gör det kan det hända att sågbladet inte dras åt ordentligt med allvarliga personskador som följd.

⚠ FÖRSIKTIGT: Rör inte sticksågbladet eller arbetsstycket direkt efter avslutat arbete. De kan vara extremt varma och orsaka brännskador.

⚠ FÖRSIKTIGT: Fäst alltid sticksågbladet ordentligt. Om detta inte görs kan sågbladet brytas av eller allvarliga personskador uppstå.

⚠ FÖRSIKTIGT: Använd endast sågblad av typ B för sticksåg. Om någon annan typ av sågblad än B används kan det hända att sågbladet inte dras åt ordentligt med allvarliga personskador som följd.

⚠ FÖRSIKTIGT: Var försiktig när du tar bort sticksågbladet så att du inte skadar dina fingrar på bladets yttersta del eller arbetsstyckets spets.

Se till att bladklämmans spak står i frigjort läge innan sticksågbladet monteras. För att montera sticksågbladet för du in det (sågtänder riktade framåt) i bladhållaren. Spaken flyttar sig till sitt låsta läge och sågbladet är fastlåst. Se till att sågbladets bakre kant passas in i stödrollen. Dra försiktigt i sågbladet för att kontrollera att det inte ramlar ur under användning.

► **Fig.6:** 1. Bladhållare på sticksåg 2. Frigjort läge 3. Låst läge

► **Fig.7:** 1. Bladhållare på sticksågblad 2. Sticksågblad

⚠ FÖRSIKTIGT: Om spaken inte flyttar sig till sitt låsta läge är sågbladet inte rätt monterat. Tryck inte spaken för hand till det låsta läget. I annat fall kan verktyget ta skada.

För att ta bort sticksågbladet trycker du spaken framåt så långt det går. Då frigörs sågbladet.

► **Fig.8:** 1. Bladhållare på sticksågblad 2. Sticksågblad

OBS: Smörj stödrollen då och då.

Förvaring av insexnyckel

► **Fig.9:** 1. Krok 2. Insexnyckel

Förvara insexnyckeln enligt figuren när den inte används så att du alltid har den till hands. Sätt först in insexnyckeln i hålet. Tryck därefter in den i haken tills den låses.

ANVÄNDNING

⚠ FÖRSIKTIGT: Håll alltid bottenplattan plant mot arbetsstycket. I annat fall kan sticksågbladet brytas av och ge upphov till allvarliga personskador.

⚠ FÖRSIKTIGT: För maskinen mycket långsamt framåt vid kurv- eller spiralsågning. Tvinga aldrig maskinen eftersom detta kan leda till att sågytan blir sned och att sticksågbladet bryts av.

► **Fig.10:** 1. Säglinje 2. Bottenplatta

Starta maskinen utan att sticksågbladet vidrör arbetsstycket och vänta tills sågbladet uppnår full hastighet. Vila sedan bottenplattan plant mot arbetsstycket, och för maskinen långsamt framåt längs den i förväg utmärkta såglinjen.

Vinkelsågning

⚠ FÖRSIKTIGT: Se alltid till att maskinen är avstängd och att batterikassetten är urtagen innan bottenplattan lutats åt sidan.

Med bottenplattan lutad åt sidan kan du utföra vinkelsågning vid valfri vinkel mellan 0° och 45° (vänster eller höger).

► **Fig.11**

Lossa skruven på bottenplattans undersida med en insexnyckel. Flytta bottenplattan så att skruven positioneras mitt i den korsformade skåran i bottenplattan.

► **Fig.12:** 1. Insexnyckel 2. Skruv 3. Bottenplatta

Luta bottenplattan tills önskad fäsvinkel uppnås. Motorhusets kant indikerar fäsvinkeln mot graderingen. Dra sedan åt skruven för att fästa bottenplattan.

► **Fig.13:** 1. Kant 2. Gradering

Sågning mot vägg

► **Fig.14:** 1. Insexnyckel 2. Skruv 3. Bottenplatta

Lossa skruven på bottenplattans undersida med insexnyckeln, och skjut sedan bottenplattan helt bakåt. Dra sedan åt skruven för att fästa bottenplattan.

Utsågning

Utsågning kan utföras med endera av de två metoderna "borra ett starthål" och "hålsågning".

Borra ett starthål

► **Fig.15**

Förborra ett starthål på minst 12 mm i diameter för att göra en utsågning utan att behöva såga in från kanten av arbetsstycket. Sätt in sticksågbladet i hålet och genomför utsågningen.

Hålsågning

► **Fig.16**

Du behöver inte förborra ett hål eller såga dig in från kanten om du försiktigt gör enligt följande:

1. Luta maskinen framåt mot bottenplattans framkant med sticksågbladets spets i position rakt ovanför arbetsstyckets yta.

- Tryck mot maskinen så att bottenplattans framkant inte rör sig när maskinen sätts på, och sänk maskinens bakända långsamt och försiktigt.
- Sänk sakta maskinens bottenplatta mot arbetsstyckets yta när sticksågbladet börjar såga igenom arbetsstycket.
- Genomför sågningen på vanligt sätt.

Tilljämnning av kanter

► Fig.17

Låt sticksågbladet lätt följa kanterna för att jämna till dem eller för att göra smärre justeringar av arbetsstyckets storlek.

Metallsågning

Använd alltid en lämplig kylvätska (sågolja) vid metallsågning. I annat fall kommer sticksågbladet att slitas kraftigt. Istället för att använda ett kylmedel kan arbetsstyckets undersida fettas in.

Dammuppsugning

Extra tillbehör

Genom att ansluta maskinen till en Makita-dammsugare får du en ren arbetsmiljö vid sågarbetet.

Montera eller demontera dammskydd

Montera dammskyddet enligt bilden.

► Fig.18: 1. Dammskydd

För att ta bort dammskyddet trycker du på ena sidan av dammskyddet och tar bort det enligt bilden.

► Fig.19: 1. Dammskydd

Montera eller demontera dammunstycke

För in dammunstycket hela vägen in i maskinen.

► Fig.20: 1. Dammunstycke

För att ta bort dammunstycket drar du ut det samtidigt som du trycker in knappen på dammunstycket.

► Fig.21: 1. Knapp 2. Dammunstycke

Ansluta maskinen till en dammsugare

Anslut dammsugarslangens till dammunstycket.

► Fig.22

Parallellanslag

Valfria tillbehör

⚠ FÖRSIKTIGT: Se alltid till att maskinen är avstängd och att batterikassetten är urtagen innan tillbehör monteras eller tas bort.

Rak sågning

Ett parallellanslag kan användas vid upprepad sågning av arbetsstycken som är 160 mm breda eller smalare för att få snabb, ren och rak sågning.

► Fig.23: 1. Parallellanslag (anslagsskena)

Montera parallellanslaget med föra in det i det fyrkantiga hålet på bottenplattans sida med anslaget mothåll riktat nedåt. Skjut parallellanslaget till den önskade sågbredden, och fäst det sedan i läge genom att dra åt skruven.

► Fig.24: 1. Insexnyckel 2. Skruv 3. Anslaget mothåll 4. Parallellanslag (anslagsskena)

Cirkelsågning

Montera parallellanslaget enligt nedan vid sågning av cirkel eller bågar med en radie på 170 mm eller mindre.

► Fig.25: 1. Parallellanslag (anslagsskena)

1. För in parallellanslaget i det fyrkantiga hålet på bottenplattans sida med anslaget mothåll riktat uppåt.

2. Sätt in cirkelanslagets stift i det ena av de två hålen i anslaget mothåll. Skruva fast den gängade knoppen på stiftet för att fästa stiftet.

► Fig.26: 1. Gängad knopp 2. Anslaget mothåll 3. Parallellanslag (anslagsskena) 4. Stift

3. Skjut parallellanslaget till den önskade sågradien, och fäst det i läge genom att dra åt skruven. Skjut därefter bottenplattan ända fram.

OBBS: Använd alltid sticksågblad B-17, B-18, B-26 eller B-27 vid sågning i cirkel eller båge.

Flisningsskydd

Extra tillbehör

⚠ FÖRSIKTIGT: Flisningsskyddet kan inte användas vid vinkelsågning.

► Fig.27: 1. Bottenplatta 2. Flisningsskydd

Flisningsskydd kan användas för flisfri sågning.

Montera flisningsskyddet genom att föra maskinens bottenplatta hela vägen framåt och sedan passa in den på bottenplattans undersida.

Om du använder skyddsplattan ska flisningsskyddet monteras på skyddsplattan.

Skyddsplatta

Extra tillbehör

► Fig.28: 1. Skyddsplatta 2. Bottenplatta

Använd skyddsplattan vid sågning av dekorationsfanér, plastmaterial etc. Plattan gör att känsliga ytor skyddas mot yttre skador. Passa in skyddsplattan på maskinens bottenplatta.

Adaptersats för styrskena

Extra tillbehör

Vid sågning av material som ska vara parallella och med samma bredd, eller vid sågning av raka linjer, kan styrskenan och adaptern för styrskenan säkerställa snabba och rena sågarbeten. Montera adapter för styrskena genom att föra in sidoanslaget i det fyrkantiga hålet i bottenplattan så långt det går. Dra åt skruven ordentligt med insexnyckeln.

► Fig.29: 1. Insexnyckel 2. Sidoanslag

För in sidoanslaget i det fyrkantiga hålet för adaptern för styrskenan. Montera adaptern för styrskenan på styrskenan.

- **Fig.30:** 1. Adapter för styrskena 2. Styrskena
3. Skruv

OBSERVERA: Använd alltid sågbladnummer B-8, B-13, B-16, B-17 eller 58 vid användning av styrskena och adapter för styrskena.

UNDERHÅLL

⚠ FÖRSIKTIGT: Se alltid till att maskinen är avstängd och batterikassetten borttagen innan inspektion eller underhåll utförs.

OBSERVERA: Använd inte bensin, förtunningsmedel, alkohol eller liknande. Missfärgning, deformation eller sprickor kan uppstå.

För att upprätthålla produktens SÄKERHET och TILLFÖRLITLIGHET bör allt underhålls- och justeringsarbete utföras av ett auktoriserat Makita servicecenter och med reservdelar från Makita.

VALFRIA TILLBEHÖR

⚠ FÖRSIKTIGT: Följande tillbehör eller tillsatser rekommenderas för användning med den Makita-maskin som denna bruksanvisning avser. Om andra tillbehör eller tillsatser används kan det uppstå risk för personskador. Använd endast tillbehören eller tillsatserna för de syften de är avsedda för.

Kontakta ditt lokala Makita servicecenter om du behöver ytterligare information om dessa tillbehör.

- Sticksågsblad
- Insexnyckel 3
- Parallellanslagssats (anslagsskena)
- Adaptersats för styrskena
- Flisningskydd
- Slang (för dammsugare)
- Skyddsplatta
- Dammunstycke
- Dammskydd
- Makitas originalbatteri och -laddare

OBS: Några av tillbehören i listan kan vara inkluderade i maskinpaketet som standardtillbehör. De kan variera mellan olika länder.

TEKNISKE DATA

Modell:	JV103D	
Slaglengde	23 mm	
Slag per minutt	800 - 3 000 min ⁻¹	
Bladtype	B type	
Maks. skjærekapasitet	Tre	90 mm
	Bløtt stål	10 mm
	Aluminium	20 mm
Total lengde	237 mm	
Nominell spenning	DC 10,8 V - 12 V maks	
Standard batteriinnsett	BL1015 / BL1016 / BL1020B / BL1021B / BL1040B / BL1041B	
Nettovekt	1,9 - 2,0 kg	

- På grunn av vårt kontinuerlige forsknings- og utviklingsprogram kan spesifikasjonene som oppgis i dette dokumentet endres uten varsel.
- Spesifikasjoner og batteriinnsett kan variere fra land til land.
- Vekten kan variere avhengig av tilbehøret/tilbehørene, inkludert batteriet. Den letteste og tyngste kombinasjonen, i henhold til EPTA-prosedyre 01/2014, vises i tabellen.

Riktig bruk

Denne maskinen er laget for å sage i tre-, plast- og metallmaterialer. På grunn av det store utvalget i ekstrautstyr og innstillinger kan maskinen brukes til mange ting, og egner seg svært godt til å skjære i bue eller sirkel.

Støy

Typisk A-vektet lydtrykknivå er bestemt i henhold til EN60745:

Lydtrykknivå (L_{pA}): 85 dB (A)

Lydteffektnivå (L_{WA}): 96 dB (A)

Usikkerhet (K): 3 dB (A)

⚠ ADVARSEL: Bruk hørselsvern.

Vibrasjoner

Den totale vibrasjonsverdien (triaksial vektorsum) bestemt i henhold EN60745:

Arbeidsmodus: Skjærefjølør

Genererte vibrasjoner ($a_{h,B}$): 8,5 m/s²

Usikkerhet (K): 1,5 m/s²

Arbeidsmodus: Kutting av metallplater

Genererte vibrasjoner ($a_{h,M}$): 6,0 m/s²

Usikkerhet (K): 1,5 m/s²

MERK: Den angitte verdien for de genererte vibrasjonene er målt i samsvar med standardtestmetoden og kan brukes til å sammenlikne et verktøy med et annet.

MERK: Den angitte verdien for de genererte vibrasjonene kan også brukes til en foreløpig vurdering av eksponeringen.

⚠ ADVARSEL: De genererte vibrasjonene ved faktisk bruk av elektroverktøyet kan avvike fra den angitte vibrasjonsverdien, avhengig av hvordan verktøyet brukes.

⚠ ADVARSEL: Sørg for å identifisere vernetiltak for å beskytte operatøren, som er basert på et estimat av eksponeringen under de faktiske bruksforholdene (idet det tas hensyn til alle deler av driftssyklusen, dvs. hvor lenge verktøyet er slått av, hvor lenge det går på tomgang og hvor lenge startbryteren faktisk holdes trykket).

EFs samsvarserklæring

Gjelder kun for land i Europa

EFs samsvarserklæring er lagt til som vedlegg A i denne bruksanvisningen.

SIKKERHETSADVARSEL

Generelle advarsler angående sikkerhet for elektroverktøy

⚠ ADVARSEL: Les alle sikkerhetsadvarsler, instruksjoner, illustrasjoner og spesifikasjoner som følger med dette elektroverktøyet. Hvis ikke alle instruksjonene nedenfor følges, kan det forekomme elektrisk støt, brann og/eller alvorlig skade.

Oppbevar alle advarsler og instruksjoner for senere bruk.

Uttrykket «elektrisk verktøy» i advarslene refererer både til elektriske verktøy (med ledning) tilkoblet strømmettet, og batteridrevne verktøy (uten ledning).

Sikkerhetsanvisninger for batteridrevet stikksag

1. Hold maskinen i det isolerte håndtaket når skjæreverktøyet kan komme i kontakt med skjulte ledninger under arbeidet. Hvis kutteutstyret kommer i kontakt med «strømførende» ledninger, kan ikke isolerte metalldele i maskinen bli «strømførende», og vil kunne gi brukeren elektrisk støt.
2. Bruk tvinger, eller en annen praktisk måte for å sikre og støtte arbeidsstykket på en stabil plattform. Hvis du holder det med hånden eller mot kroppen, kan det være ustabil og føre til at du mister kontrollen.
3. Du må alltid bruke vernebriller eller ansiktsvern. Vanlige briller og solbriller er IKKE vernebriller.
4. Unngå å skjære i spiker. Se etter om det er spikre i arbeidsstykket, og fjern dem før du begynner arbeidet.
5. Ikke skjær for store arbeidsstykker.
6. Sjekk at det er plass nok bak arbeidsstykket før du begynner sagingen, så ikke bladet tref-fer gulvet, arbeidsbenken el.l.
7. Hold godt fast i verktøyet.
8. Forviss deg om at bladet ikke er i kontakt med arbeidsstykket, før du slår på startbryteren.
9. Hold hendene unna bevegelige deler.
10. Ikke gå fra verktøyet mens det er i gang. Verktøyet må bare brukes mens operatøren holder det i hendene.
11. Før du fjerner bladet fra arbeidsstykket, må du alltid slå av saken og vente til bladet har stoppet helt.
12. Ikke ta i bladet eller arbeidsstykket rett etter saging. De vil være ekstremt varme, og du kan brenne deg.
13. Ikke bruk maskinen uten belastning hvis det ikke er nødvendig.
14. Enkelte materialer inneholder kjemikalier som kan være giftige. Vær nøye med å hindre hudkontakt og innånding av støv. Følg leverandørens sikkerhetsanvisninger.
15. Bruk alltid riktig støvmaske/pustemaske for materialet og bruksområdet du arbeider med.

TA VARE PÅ DISSE INSTRUKSENE.

⚠ ADVARSEL: IKKE LA hensynet til hva som er "behagelig" eller det faktum at du kjenner produktet godt (etter mange gangers bruk) gjøre deg mindre oppmerksom på sikkerhetsreglene for bruken av det aktuelle produktet. Ved MISBRUK eller hvis ikke sikkerhetsreglene i denne bruksanvisningen følges, kan det oppstå alvorlig personskade.

Viktige sikkerhetsanvisninger for batteriinnsetts

1. Før du begynner å bruke batteriet, må du lese alle anvisninger og forsiktighetsregler på (1) batteriladeren, (2) batteriet og (3) det produktet batteriet skal brukes i.

2. Ikke ta fra hverandre batteriet.
3. Hvis driftstiden er blitt vesentlig kortere, må du omgående slutte å bruke maskinen. Hvis ikke kan resultatet bli overoppheting, mulige forbrenninger eller til og med en eksplosjon.
4. Hvis du får elektrolytt i øynene, må du skylle dem med store mengder rennende vann og oppsøke lege med én gang. Denne typen uhell kan føre til varig blindhet.
5. Ikke kortslett batteriet:
 - (1) De kan være ekstremt varme og du kan brenne deg.
 - (2) Ikke lagre batteriet i samme beholder som andre metallgjenstander, som for eksempel spiker, mynter osv.
 - (3) Ikke la batteriet komme i kontakt med vann eller regn.En kortslutning av batteriet kan føre til et kraftig strømstøt, overoppheting, mulige forbrenninger og til og med til at batteriet går i stykker.
6. Ikke lagre maskinen og batteriet på steder hvor temperaturen kan komme opp i eller overskride 50 °C.
7. Ikke sett fyr på batteriet, ikke engang om det er sterkt skadet eller helt utslitt. Batteriet kan eksplodere hvis det begynner å brenne.
8. Vær forsiktig så du ikke mister batteriet eller utsetter det for slag.
9. Ikke bruk batterier som er skadet.
10. Lithium-ion-batteriene som medfølger er gjensynliggjort for krav om spesialavfall. For kommersiell transport, f.eks av tredjeparter eller speditorer, må spesielle krav om pakking og merking følges. Før varen blir sendt, må du forhøre deg med en ekspert på farlig materiale. Ta også hensyn til muligheten for mer detaljerte nasjonale bestemmelser. Bruk teip eller maskeringsteip for å skjule åpne kontakter og pakk inn batteriet på en slik måte at den ikke kan bevege seg rundt i emballasjen.
11. Følg lokale bestemmelser for avhending av batterier.

TA VARE PÅ DISSE INSTRUKSENE.

⚠ FORSIKTIG: Bruk kun originale Makita-batterier. Bruk av batterier som har endret seg, eller som ikke er originale Makita-batterier, kan føre til at batteriet sprekker og forårsaker brann, personskader og andre skader. Det vil også ugyldiggjøre garantien for Makita-verktøyet og -laderen.

Tips for å opprettholde maksimal batterilevetid

1. Lad batteriinnsettsen før den er helt utladet. Stopp alltid driften av verktøyet og lad batteriinnsettsen når du merker at effekten reduseres.
2. Lad aldri en batteriinnsettsen som er fulladet. Overopplading forkorter batteriets levetid.
3. Lad batteriet i romtemperatur ved 10 °C - 40 °C. Et varmt batteri må kjøles ned før lading.

FUNKSJONS BESKRIVELSE

⚠FORSIKTIG: Forviss deg alltid om at maskinen er slått av og batteriet tatt ut før du justerer maskinen eller kontrollerer dens mekaniske funksjoner.

Sette inn eller ta ut batteri

⚠FORSIKTIG: Slå alltid av verktøyet før du setter inn eller fjerner batteriet.

⚠FORSIKTIG: Hold verktøyet og batteripatronen i et fast grep når du monterer eller fjerner batteripatronen. Hvis du ikke holder verktøyet og batteripatronen godt fast, kan du miste grepet, og dette kan føre til skader på verktøyet og batteripatronen samt personskader.

► **Fig.1:** 1. Rød indikator 2. Knapp 3. Batteriinnsetts

For å ta ut batteriet må du skyve på knappen foran på batteriet og trekke det ut.

Når du skal sette inn batteriet, må du plassere tungen på batteriet på linje med sporet i huset og skyve batteriet på plass. Skyv det helt inn til det går i inngrep med et lite klikk. Hvis du kan se den røde anviseren på oversiden av knappen, er det ikke fullstendig låst.

⚠FORSIKTIG: Batteriet må alltid settes helt inn, så langt at den røde anviseren ikke lenger er synlig. Hvis dette ikke gjøres, kan batteriet komme til å falle ut av maskinen og skade deg eller andre som oppholder seg i nærheten.

⚠FORSIKTIG: Ikke bruk makt når du setter i batteriet. Hvis batteriet ikke blir helt inn, er det fordi det ikke settes inn på riktig måte.

Batterivernsystem for verktøy/ batteri

Verktøyet er utstyrt med et batterivernsystem for verktøy/batteri. Dette systemet kutter automatisk strømmen til motoren for å forlenge verktøyets og batteriets levetid. Verktøyet stopper automatisk under drift hvis verktøyet eller batteriet utsettes for en av følgende tilstander:

Overlastsikring

Når batteriet brukes på en måte som gjør at det bruker unormalt mye strøm, vil verktøyet stoppe, helt automatisk og uten forvarsel. I dette tilfellet må du slå av verktøyet og avslutte bruken som forårsaket at verktøyet ble overbelastet. Slå deretter verktøyet på for å starte det igjen.

Overopphetingsvern

Når verktøyet eller batteriet er overopphetet, stanser maskinen automatisk, og lampen blinker. I dette tilfellet, la verktøyet og batteriet avkjøles før du starter verktøyet på nytt.

Overladdingsvern

Når batterikapasiteten blir utilstrekkelig, stopper verktøyet automatisk. Når du starter verktøyet, starter motoren, men den stopper like etterpå. I så fall fjerner du batteriet fra verktøyet og lader det.

Indikere gjenværende batterikapasitet

Kun for batterier med indikatoren

► **Fig.2:** 1. Indikatorlamper 2. Kontrollknapp

Trykk på sjekk-knappen på batteriet for vise gjenværende batterikapasitet. Indikatorlampene lyser i et par sekunder.

Indikatorlamper		Gjenværende batterinivå
Tent	Av	
		75% til 100%
		50% til 75%
		25% til 50%
		0% til 25%

MERK: Det angitte nivået kan avvike noe fra den faktiske kapasiteten alt etter bruksforholdene og den omgivende temperaturen.

Velge skjærefunksjon

► **Fig.3:** 1. Funksjonsvelgerspaken

Dette verktøyet kan skjære i ring eller i rett linje (opp og ned). Den sirkulære sagebevegelsen skyver bladet forover under arbeidsslaget og øker sagehastigheten kraftig.

For å endre skjærefunksjon må du dreie funksjonsvelgerspaken til posisjon for ønsket funksjon. Se tabellen for valg av riktig skjærefunksjon.

Posisjon	Skjærefunksjon	Bruksområde
0	Funksjonen skjæring i rett linje	For skjæring i bløtt stål, rustfritt stål og plast. For ren skjæring i tre og kryssfinér.
I	Skjæring i liten bane	For skjæring i bløtt stål, aluminium og hardt tre.
II	Skjæring i mellomstor bane	Skjæring i tre og kryssfinér. For rask skjæring i aluminium og mildt stål.
III	Skjæring i stor bane	For rask skjæring i tre og kryssfinér.

Bryterfunksjon

Slå på verktøyet ved å trykke på sperreknappen. Verktøyet går til ventemodus. Trykk på startbryteren i ventemodus for å starte verktøyet. Du stanser verktøyet ved å slippe startbryteren. Verktøyet går til ventemodus. Slå av verktøyet ved å trykke på sperreknappen i ventemodus.

Hvis du ønsker at verktøyet skal være i kontinuerlig drift, trekker du ut startbryteren i ventemodus og skyver inn låseknappen. Hvis du vil stanse verktøyet, trekker du startbryteren helt ut og slipper den.

► **Fig.4:** 1. Sperreknapp 2. Låseknapp 3. Startbryter

MERK: Hvis maskinen er inaktiv i ventemodus i mer enn 10 sekunder, slår maskinen seg av automatisk, og lampen slukkes.

MERK: Sperreknappen er ikke tilgjengelig når verktøyet er i drift.

Tenne frontlampen

⚠ FORSIKTIG: Ikke se inn i lyset eller se direkte på lyskilden.

Slå på lampen ved å trykke på sperreknappen. Slå av lampen ved å trykke på sperreknappen igjen.

OBS: Hvis maskinen blir overopphetet, flimrer lampen. Kjøøl ned maskinen helt før den brukes igjen.

MERK: Bruk en tørr klut til å tørke støv osv. av lampelinsen. Vær forsiktig så det ikke blir riper i lampelinsen, da dette kan redusere lysstyrken.

Hastighetsinnstillingshjul

► **Fig.5:** 1. Hastighetsinnstillingshjul

Verktøyhastigheten kan justeres ved å dreie på hastighetsinnstillingshjulet. 5 er høyeste hastighet og 1 er laveste hastighet.

Se tabellen for valg av riktig hastighet for arbeidsstykket som skal skjæres. Hastigheten kan imidlertid variere avhengig av tykkelsen på arbeidsstykket. Høyere hastigheter gjør det mulig å skjære raskere, men bladets levetid vil bli redusert.

Arbeidsstykke	Tall
Tre	4 - 5
Bløtt stål	3 - 5
Rustfritt stål	3 - 4
Aluminium	3 - 5
Plast	1 - 4

OBS: Når du skal bevege hastighetshjulet fra "5" til "1", dreier du hjulet mot klokken. Ikke bruk makt for å dreie hjulet med klokken.

Elektronisk funksjon

Verktøyet er utstyrt med de elektroniske funksjonen for å gjøre det enkelt å bruke.

- **Myk start**
Myk start-funksjonen reduserer oppstartssjokket til et minimum, og gjør at verktøyet starter mykt.
- **Myk rotasjon uten belastning**
For å redusere vibrasjonen og innrette løvbladet med skjærelinjen på en enkel måte, reduserer verktøyet automatisk rotasjonshastigheten til verktøyet begynner å skjære i arbeidsstykket når hastighetsinnstillingshjulet er stilt inn på 2 eller høyere. Når verktøyet begynner å skjære i arbeidsstykket, når verktøyhastigheten den forhåndsinnstilte hastigheten og holder denne hastigheten til verktøyet stanser.

MERK: Det kan hende at denne funksjonen ikke er tilgjengelig ved lav temperatur.

Deaktivere funksjonen for myk rotasjon uten belastning

Hvis du vil deaktivere funksjonen for myk rotasjon uten belastning, følger du trinnene nedenfor.

1. Kontroller at verktøyet er slått av.
2. Sett hastighetsinnstillingshjulet på "1".
3. Slå av verktøyet ved å trykke på sperreknappen.
4. Sett hastighetsinnstillingshjulet på "5" ved å dreie på det, og sett det deretter på "1" ved å dreie det tilbake.

Lampen blinker to ganger for å angi at funksjonen for myk rotasjon uten belastning er deaktivert. Hvis du vil aktivere denne funksjonen igjen, følger du samme fremgangsmåte på nytt.

MERK: Hvis funksjonen for myk rotasjon uten belastning er deaktivert, blinker lampen to ganger når verktøyet slås på.

MERK: Du kan også deaktivere eller aktivere funksjonen for myk rotasjon uten belastning ved å flytte hastighetsinnstillingshjulet fra "5" til "1" og flytte det fra "1" til "5".

MONTERING

⚠ FORSIKTIG: Forviss deg alltid om at maskinen er slått av og batteriet tatt ut før du utfører noe arbeid på maskinen.

Montere eller fjerne sagbladet

⚠️ FORSIKTIG: Pass alltid på å fjerne flis og fremmedlegemer som kleber seg til bladet og/eller bladholderen. Hvis dette ikke gjøres, kan det bli vanskelig å stramme bladet ordentlig, noe som kan føre til alvorlige personskader.

⚠️ FORSIKTIG: Du må ikke berøre sagbladet eller arbeidsstykket umiddelbart etter at arbeidet er utført. Disse kan være ekstremt varme og vil kunne forårsake brannskader.

⚠️ FORSIKTIG: Sagbladet må alltid sikres godt. Utilstrekkelig tilstrømming av bladet kan forårsake brudd eller alvorlige personskader.

⚠️ FORSIKTIG: Bruk bare sagblader av type B. Bruk av andre bladtyper enn type B forårsaker utilstrekkelig strømming av bladet, og alvorlige personskader.

⚠️ FORSIKTIG: Når du tar ut løvbladet, må du være forsiktig så du ikke skader fingrene dine med toppen av bladet eller kantene på arbeidsstykket.

Før du setter inn løvbladet, må du kontrollere at bladklemmespaken er i åpen stilling. Sett løvbladet inn i bladholderen (tenner vendt forover). Spaken flytter seg til fast stilling, og bladet låses fast. Kontroller at bakkanten på bladet passer inn i rullen. Dra lett i bladet for å kontrollere at det ikke vil falle av under drift.

► Fig.6: 1. Stikksagbladholder 2. Åpen stilling 3. Fast stilling

► Fig.7: 1. Løvbladholder 2. Løvblad

⚠️ FORSIKTIG: Hvis spaken ikke beveger seg til fast stilling, er ikke bladet satt helt inn. Ikke skyv spaken til fast stilling for hånd. Dette kan skade verktøyet.

Hvis du vil ta ut løvbladet, skyver du spaken fremover så langt den går. Dette frigjør bladet.

► Fig.8: 1. Løvbladholder 2. Løvblad

MERK: Smør rullen av og til.

Oppbevaring av sekskantnøkkel

► Fig.9: 1. Krok 2. Sekskantnøkkel

Når sekskantnøkkelen ikke er i bruk, må du oppbevare den som vist i figuren, slik at du ikke mister den. Først må du sette sekskantnøkkelen inn i hullet. Skyv den deretter inn i kroken, til den låses på plass.

BRUK

⚠️ FORSIKTIG: Hold alltid verktøyfoten sammen med arbeidsstykket. Gjør du ikke det, kan det resultere i at bladet brykker. Dette kan forårsake alvorlige personskader.

⚠️ FORSIKTIG: Skyv verktøyet veldig sakte frem når du sager kurver eller spiraler. Hvis du legger for mye press på verktøyet, kan det føre til at skjæreoverflate blir skjev og at sagbladet brykker.

► Fig.10: 1. Skjærelinje 2. Verktøyfot

Slå verktøyet på, uten at sagbladet er i kontakt med noe, og vent til bladet når full hastighet. Hvil verktøyfoten flatt på arbeidsemnet, og bevege verktøyet forsiktig fremover langs den markerte skjærelinjen.

Skråskjæring

⚠️ FORSIKTIG: Forviss deg alltid om at maskinen er slått av og batteriinnsetsen er tatt ut, før du vipper foten.

Med verktøyfoten vippet kan du gjennomføre skråskjæring i alle vinkler mellom 0° og 45° (venstre eller høyre).

► Fig.11

Løsne skruen bak på verktøyfoten med sekskantnøkkelen. Flytt verktøyfoten, slik at skruen plasseres midt i det kryssformede sporet i verktøyfoten.

► Fig.12: 1. Sekskantnøkkel 2. Skrue 3. Verktøyfot

Vipp basen til ønsket vinkel for skråskjæring oppnås. Kanten på motorhuset viser skråvinkelen med gradinndeling. Stram deretter til bolten for å feste verktøyfoten i ønsket vinkel.

► Fig.13: 1. Kant 2. Gradinndeling

Rettfremskjæring

► Fig.14: 1. Sekskantnøkkel 2. Skrue 3. Verktøyfot

Løsne skruen bak på verktøyfoten med sekskantnøkkelen og skyv verktøyfoten helt tilbake. Stram deretter til bolten for å feste verktøyfoten i ønsket vinkel.

Utsnitt

Utsnitt kan utføres med en av de to metodene, "bore et starthull" eller "stikkskjæring".

Bore et starthull

► Fig.15

For interne utsnitt uten innføringskutt fra en kant, må du forhånds bore et starthull på 12 mm eller mer i diameter. Sett inn sagbladet i dette hullet for å starte sagingen.

Innstikk

► Fig.16

Du trenger ikke å bore et starthull eller foreta et innføringskutt hvis du gjør følgende på en nøyaktig måte.

1. Vipp verktøyet opp på forkanten av verktøyfoten med sagbladspissen plassert rett over overflaten på arbeidsemnet.

2. Utøve trykk på verktøyet, slik at forkanten av verktøyfoten ikke beveger seg når du slår på verktøyet forsiktig og senker bakenden sakte.

3. Når sagbladet lager hull i arbeidsemnet, senker du verktøyfoten sakte ned mot overflaten på arbeidsemnet.

4. Fullfør kuttet på vanlig måte.

Finpusse kanter

► Fig.17

For å pusse kanter eller foreta dimesjonsjusteringer må du kjøre sagbladet lett langs kantene.

Metallkutting

Når du sager i metall, må du alltid bruke et passende kjølemiddel (en passende sagolje). Hvis du ikke gjør det, vil sagbladet bli svært slitt. Undersiden av arbeidsemnet kan smøres med fett, istedet for å bruke kjølevæske.

Støvoppsamler

Valgfritt tilbehør

Skjæring kan utføres på en renere måte ved å koble dette verktøyet til en Makita-støvsuger.

Montere eller fjerne støvdekslet

Monter støvdekslet som vist i figuren.

► Fig.18: 1. Støvdeksel

Hvis du vil fjerne støvdekslet, trykker du på én side av dekslet, og deretter fjerner du det som vist i figuren.

► Fig.19: 1. Støvdeksel

Montere eller fjerne støvmunnstykket

Sett støvmunnstykket helt inn i verktøyet.

► Fig.20: 1. Støvmunnstykke

Hvis du vil fjerne støvmunnstykket, drar du ut støvmunnstykket mens du trykker på knappen på støvmunnstykket.

► Fig.21: 1. Knapp 2. Støvmunnstykke

Koble verktøyet til støvsugeren

Koble støvsugerens slange til støvmunnstykket.

► Fig.22

Parallellanlegg

Valgfritt tilbehør

⚠FORSIKTIG: Forviss deg alltid om at maskinen er slått av og batteriet tatt ut, før du monterer eller demonterer tilbehør.

Rette kutt

Når du sager bredder under 160 mm gjentatte ganger, må du bruke parallellanlegget for å sikre raske, rene og rette kutt.

► Fig.23: 1. Parallellanlegg (føringslinjal)

For å montere parallellanlegget i det firkantede hullet på siden av verktøyfoten med anleggssføringen pekende nedover. Skyv parallellanlegget til posisjon for ønsket skjærebredde, og stram skruen for å sikre det.

► Fig.24: 1. Sekskantnøkkel 2. Skruer
3. Anleggssføringen 4. Parallellanlegg (føringslinjal)

Sirkelkutt

Når du sager sirkler eller buer med en radius på 170 mm eller mindre, må du montere parallellanlegget på følgende måte.

► Fig.25: 1. Parallellanlegg (føringslinjal)

1. Sett parallellanlegget i det firkantede hullet på siden av foten med anleggssføringen vendt oppover.
2. Sett inn sirkelføringsstiften gjennom et av de to hullene i anleggssføringen. Skru gjengeknoten på stiften for å sikre stiften.

► Fig.26: 1. Gjengeknoten 2. Anleggssføringen
3. Parallellanlegg (føringslinjal) 4. Stift

3. Skyv parallellanlegget til posisjon for ønsket skjæreradius, og stram skruen for å feste det på plass. Flytt deretter verktøyfoten helt frem.

MERK: Bruk alltid blad nr. B-17, B-18, B-26 eller B-27 når du sager sirkler eller buer.

Antisponenhet

Valgfritt tilbehør

⚠FORSIKTIG: Antisponenheten kan ikke brukes ved skraskjæring.

► Fig.27: 1. Verktøyfot 2. Antisponenhet

For spronfri saging kan du bruke antisponenheten. For å montere antisponenheten må du flytte verktøyfoten helt frem og sette den inn i verktøyfoten fra baksiden.

Når du bruker dekkplaten, må du montere antisponenheten på dekkplaten.

Dekkplate

Valgfritt tilbehør

► Fig.28: 1. Dekkplate 2. Verktøyfot

Bruk dekkplaten når du sager finér, plast osv. Den beskytter følsomme og tynne flater mot skader. Sett den bak på verktøyfoten.

Føringsskinneadaptersett

Valgfritt tilbehør

Når du skjærer parallell og lik bredde eller rette linjer, vil bruk av føringsskinne og føringsskinneadapteren sikre raske og rene kutt. Føringsskinneadapteren monteres ved å sette linjalstangen så langt inn i det firkantede hullet i foten som mulig. Fest bolten godt med sekskantnøkkelen.

► Fig.29: 1. Sekskantnøkkel 2. Linjalstang

Sett linjalstangen inn i det firkantede hullet i føringsskinneadapteren, og fest skruen godt. Plasser føringsskinneadapteren på føringsskinne.

- **Fig.30:** 1. Føringssskinneadapter 2. Føringssskinne
3. Skru

OBS: Bruk alltid blad nr. B-8, B-13, B-16, B-17 eller 58 når du bruker føringssskinne og føringssskinneadapteren.

VEDLIKEHOLD

⚠FORSIKTIG: Forviss deg alltid om at maskinen er slått av og batteriet tatt ut før du foretar inspeksjon eller vedlikehold.

OBS: Aldri bruk gasolin, bensin, tynner alkohol eller lignende. Det kan føre til misfarging, deformering eller sprekke dannelse.

For å opprettholde produktets SIKKERHET og PÅLITELIGHET, må reparasjoner, vedlikehold og justeringer utføres av autoriserte Makita servicesentre eller fabrikk servicesentre, og det må alltid brukes reservedeler fra Makita.

VALGFRITT TILBEHØR

⚠FORSIKTIG: Det anbefales at du bruker dette tilbehøret eller verktøyet sammen med den Makita-maskinen som er spesifisert i denne håndboken. Bruk av annet tilbehør eller verktøy kan forårsake personskader. Tilbehør og verktøy må kun brukes til det formålet det er beregnet på.

Ta kontakt med ditt lokale Makita-servicesenter hvis du trenger mer informasjon om dette tilbehøret.

- Stikksagblader
- Sekskantnøkkel 3
- Parallellanleggsett (føringslinjal)
- Føringssskinneadaptersett
- Antisponenhet
- Slange (for støvsuger)
- Dekkplate
- Støvmunnstykke
- Støvdeksel
- Makita originalbatteri og lader

MERK: Enkelte elementer i listen kan være inkludert som standardtilbehør i verktøypakken. Elementene kan variere fra land til land.

TEKNISET TIEDOT

Malli:	JV103D		
Iskun pituus	23 mm		
Iskua minuutissa	800 - 3 000 min ⁻¹		
Terätyyppi	B-tyyppi		
Suurin leikkuukapasiteetti	Puu	90 mm	
	Pehmeä teräs	10 mm	
	Alumiini	20 mm	
Kokonaispituus	237 mm		
Nimellisjännite	DC 10,8 V - 12 V maks.		
Vakio akkupaketti	BL1015 / BL1016 / BL1020B / BL1021B / BL1040B / BL1041B		
Nettopaino	1,9 - 2,0 kg		

- Jatkuvasta tutkimus- ja kehitystyöstämme johtuen esitetyt tekniset tiedot saattavat muuttua ilman erillistä ilmoitusta.
- Tekniset tiedot ja akkupaketti voivat vaihdella maittain.
- Paino voi olla erilainen lisävarusteista sekä akusta johtuen. EPTA-menettelytavan 01/2014 mukaisesti, taulukossa on kuvattu kevyin ja painavin laiteyhdistelmä.

Käyttötarkoitus

Työkalu on tarkoitettu puun, muovin ja rautapitoisten materiaalien sahaukseen. Laajan lisävaruste- ja sahanterävalikoiman ansiosta työkalua voidaan käyttää moniin käyttötarkoituksiin ja se sopii hyvin kaareviin ja pyöreisiin leikkauksiin.

Melutaso

Tyypillinen A-painotettu melutaso määräytyy standardin EN60745 mukaan:

Äänenpainetaso (L_{pA}): 85 dB (A)

Äänen voiman taso (L_{WA}): 96 dB (A)

Virhemarginaali (K): 3 dB (A)

VAROITUS: Käytä kuulosuojaimia.

Tärinä

Kokonaistärinä (kolmen akselin vektorien summa) määräytyy standardin EN60745 mukaan:

Työtila: levyjen sahaaminen

Tärinäpäästö ($a_{h,B}$): 8,5 m/s²

Virhemarginaali (K): 1,5 m/s²

Työtila: metallilevyn leikkaaminen

Tärinäpäästö ($a_{h,M}$): 6,0 m/s²

Virhemarginaali (K): 1,5 m/s²

HUOMAA: Ilmoitettu tärinäpäästöarvo on mitattu standarditestausten mukaisesti, ja sen avulla voidaan vertailla työkaluja keskenään.

HUOMAA: Ilmoitettua tärinäpäästöarvoa voidaan käyttää myös altistumisen alustavaan arviointiin.

VAROITUS: Työkalun käytön aikana mitattu todellinen tärinäpäästöarvo voi poiketa ilmoitetusta tärinäpäästöarvosta työkalun käyttötavan mukaan.

VAROITUS: Selvitä käyttäjän suojaamiseksi tarvittavat varoimet todellisissa käyttöolosuhteissa tapahtuvan arvioidun altistumisen mukaisesti (ottaen huomioon käyttöajaksi kokonaisuuksensa, myös jaksot, joiden aikana työkalu on sammutettuna tai käy tyhjäkäynnillä).

EY-vaatimustenmukaisuusvakuutus

Koskee vain Euroopan maita

EY-vaatimustenmukaisuusvakuutus on liitetty tähän käyttöoppaaseen.

TURVAVAROITUKSET

Sähkötyökalujen käyttöä koskevat yleiset varoitukset

VAROITUS: Tutustu kaikkiin tämän sähkötyökalun mukana toimitettuihin varoituksiin, ohjeisiin, kuviin ja teknisiin tietoihin. Seuraavassa lueteltujen ohjeiden noudattamatta jättäminen saattaa johtaa sähköiskuun, tulipaloon tai vakavaan vammautumiseen.

Säilytä varoitukset ja ohjeet tulevaa käyttöä varten.

Varoituksissa käytettävällä termillä "sähkötyökalu" tarkoitetaan joko verkkovirtaa käyttävää (johdollista) työkalua tai akkukäyttöistä (johdotonta) työkalua.

Langattoman lehtisahan turvaohjeet

1. Kun suoritat toimenpidettä, jossa leikkaustyökalu voi joutua kosketukseen piilossa olevien johtojen kanssa, pidä kiinni työkalusta sen eristetyn tarttumispinnan kohdalta. Jos leikkausväline joutuu kosketukseen jännitteisen johdon kanssa, jännite voi siirtyä työkalun sähköä johtaviin metalliosiin ja aiheuttaa käyttäjälle sähköiskun.
2. Kiinnitä ja tue työkappale tukevalle alustalle puristimilla tai muulla käytännöllisellä tavalla. Työn pitäminen kädessä tai vartaloa vasten tekee työn epävakaaksi ja voi johtaa hallinnan menetykseen.
3. Käytä aina suojalaseja. Tavalliset silmä- tai aurinkolasit EIVÄT ole suojalaseja.
4. Vältä naulojen sahaamista. Tarkasta, onko työkappaleessa nauloja, ja poista ne ennen käyttöä.
5. Älä leikkaa ylisuuria työkappaleita.
6. Tarkista ennen leikkaamista, että työkappaleen takana on tarpeeksi tilaa, jotta terä ei osu lattiaan, työpöytäan tai vastaavaan.
7. Ota työkalusta luja ote.
8. Varmista, että terä ei kosketa työkappaletta, ennen kuin painat kytkintä.
9. Pidä kädet pois liikkuvien osien luota.
10. Älä jätä työkalua käymään itseksensä. Käytä laitetta vain silloin, kun pidät sitä kädessä.
11. Sammuta laite ja odota, että terä pysähtyy täysin, aina ennen kuin irrotat terän työkappaleesta.
12. Älä kosketa terää tai työkappaletta välittömästi käytön jälkeen, sillä ne voivat olla erittäin kuumia ja saattavat polttaa ihoa.
13. Älä käytä työkalua tarpeettomasti ilman kuormaa.
14. Jotkin materiaalit sisältävät kemikaaleja, jotka voivat olla myrkyllisiä. Huolehdi siitä, että pölyn sisään hengittäminen ja ihokosketus estetään. Noudata materiaalin toimittajan turvaohjeita.
15. Käytä aina työstettävän materiaalin ja käyttötarkoituksen mukaan valittua pölynaamaria/hengityssuojainta.

SÄILYTÄ NÄMÄ OHJEET.

VAROITUS: ÄLÄ anna työkalun helppokäyttöisyyden (toistuvan käytön aikaansaama) johtaa sinua väärään turvallisuuden tunteeseen niin, että laiminlyöt työkalun turvaohjeiden noudattamisen. VÄÄRINKÄYTTÖ tai tässä käyttöohjeessa ilmoitettujen turvamääräysten laiminlyönti voi aiheuttaa vakavia henkilövahinkoja.

Akkupakettia koskevia tärkeitä turvaohjeita

1. Ennen akun käyttöönottoa tutustu kaikkiin laturissa (1), akussa (2) ja akkukäyttöisessä tuotteessa (3) oleviin varoitusteksteihin.
2. Älä pura akkua.

3. Jos akun toiminta-aika lyhenee merkittävästi, lopeta akun käyttö. Seurauksena voi olla ylikuumentuminen, palovammoja tai jopa räjähdys.
4. Jos akkuneustettua pääsee silmiin, huuhtele puhtaalla vedellä ja hakeudu välittömästi lääkärin hoitoon. Akkuneuste voi aiheuttaa näön menetyksen.
5. Älä oikosulje akkua.
 - (1) Älä koske akun napoihin millään sähköä johtavalla materiaalilla.
 - (2) Vältä akun oikosulkemista äläkä säilytä akkua yhdessä muiden metalliesineiden, kuten naulojen, kolikoiden ja niin edelleen kanssa.
 - (3) Älä aseta akkua alttiiksi vedelle tai sateelle.Oikosulku voi aiheuttaa virtapiikin, ylikuumentumista, palovammoja tai laitteen rikkoutumisen.
6. Älä säilytä työkalua ja akkua paikassa, jossa lämpötila voi nousta 50 °C:een tai sitäkin korkeammaksi.
7. Älä hävitä akkua polttamalla, vaikka se olisi pahoin vaurioitunut tai täysin loppuun kulunut. Avotuli voi aiheuttaa akun räjähtämisen.
8. Varo kolhimasta tai pudottamasta akkua.
9. Älä käytä viallista akkua.
10. Sisältyviä litium-ioni-akkuja koskevat vaarallisten aineiden lainsäädännön vaatimukset. Esimerkiksi kolmannen osapuolten huolintaliikkeiden tulee kaupallisissa kuljetuksissa noudattaa pakkaamista ja merkintöjä koskevia erityisvaatimuksia. Lähettävän tuotteen valmistelu edellyttää vaarallisten aineiden asiantuntijan neuvontaa. Huomioi myös mahdollisesti yksityiskohtaisemmat kansalliset määräykset. Akun avoimet liittimet tulee suojata teipillä tai suojuksella ja pakkaaminen tulee tehdä niin, ettei akku voi liikkua pakkauksessa.
11. Hävitä akku paikallisten määräysten mukaisesti.

SÄILYTÄ NÄMÄ OHJEET.

HUOMIO: Käytä vain alkuperäisiä Makita-akkuja. Muiden kuin aitojen Makita-akkujen, tai mahdollisesti muutettujen akkujen käyttö voi johtaa akun murtumiseen ja aiheuttaa tulipaloja, henkilö- ja omaisuusvahinkoja. Se mitätöi myös Makita-työkalun ja -laturin Makita-takuun.

Vihjeitä akun käyttöön pidentämiseksi

1. Lataa akku ennen kuin se purkautuu täysin. Lopeta aina työkalun käyttö ja lataa akku, jos huomaat työkalun tehon vähenevän.
2. Älä koskaan lataa uudestaan täysin ladattua akkua. Ylilataaminen lyhentää akun käyttöikää.
3. Lataa akku huoneen lämpötilassa välillä 10 °C - 40 °C. Anna kuuman akun jäähtyä ennen lataamista.

TOIMINTOJEN KUVAUS

⚠️HUOMIO: Varmista aina ennen säätöjä ja tarkastuksia, että työkalu on sammutettu ja akkupaketti irrotettu.

Akun asentaminen tai irrottaminen

⚠️HUOMIO: Sammuta työkalu aina ennen akun kiinnittämistä tai irrottamista.

⚠️HUOMIO: Pidä työkalusta ja akusta tiukasti kiinni, kun irrotat tai kiinnität akkua. Jos akkupaketti tai työkalu putoaa, ne voivat vaurioitua tai aiheuttaa tapaturman.

- **Kuva1:** 1. Punainen merkkivalo 2. Painike
3. Akkupaketti

Irrota akku painamalla akku etupuolella olevaa painiketta ja vetämällä akku ulos työkalusta.

Akku liitetään sovittamalla akun kieleke rungon uraan ja työntämällä se sitten paikoilleen. Työnnä akku pohjaan asti niin, että kuulet sen napsahtavan paikoilleen. Jos painikkeen yläpuolella näkyy punainen ilmaisin, akku ei ole lukkiutunut täysin paikoilleen.

⚠️HUOMIO: Työnnä akku aina pohjaan asti, niin että punainen ilmaisin ei enää näy. Jos akku ei ole kunnolla paikallaan, se voi pudota työkalusta ja aiheuttaa vammoja joko sinulle tai sivullisille.

⚠️HUOMIO: Älä käytä voimaa akun asennuksessa. Jos akku ei lii'u paikalleen helposti, se on väärässä asennossa.

Työkalun/akun suojausjärjestelmä

Työkalu on varustettu työkalu/akun suojausjärjestelmällä. Tämä järjestelmä pidentää työkalun ja akun käyttöikää katkaisemalla automaattisesti moottorin virran. Työkalu pysähtyy automaattisesti kesken käytön, jos työkalussa tai akussa ilmenee jokin seuraavista tilanteista:

Ylikuormitussuoja

Kun työkalua käytetään tavalla, mikä saa sen kuluttamaan epätavallisen suuren määrän virtaa, työkalu pysähtyy automaattisesti ilman mitään merkkivaloa tai ilmaisinta. Katkaise tässä tilanteessa työkalusta virta ja lopeta ylikuormitustilan aiheuttanut käyttö. Käynnistä sitten työkalu uudelleen kytkemällä siihen virta.

Ylikuumenemissuoja

Työkalun ylikuumentessa se pysähtyy automaattisesti ja lamppu alkaa vilkkua. Anna silloin työkalun/akun jäähtyä, ennen kuin kytket työkaluun uudelleen virran.

Ylipurkautumissuoja

Kun akun varaus on riittämätön, työkalu pysähtyy automaattisesti. Jos kytket työkalun päälle, moottori alkaa toimia, mutta pysähtyy pian. Irrota silloin akku työkalusta ja lataa se.

Akun jäljellä olevan varauksen ilmaisin

Vain akkupaketeille ilmaisimella

► **Kuva2:** 1. Merkkivalot 2. Tarkistuspainike

Painamalla tarkistuspainiketta saat näkyviin akun jäljellä olevan varauksen. Merkkivalot palavat muutaman sekunnin ajan.

Merkkivalot		Akussa jäljellä olevan varaus
Palaa	Pois päältä	
■ ■ ■ ■	□	75% - 100%
■ ■ ■ □	□	50% - 75%
■ ■ □ □	□ □	25% - 50%
■ □ □ □	□ □ □ □	0% - 25%

HUOMAA: Ilmoitettu varaustaso voi erota hieman todellisesta varaustasosta sen mukaan, millaisissa oloissa ja missä lämpötilassa laitetta käytetään.

Leikkaustoiminnan valinta

► **Kuva3:** 1. Leikkaustoiminnan vaihtovipu

Tätä konetta voi käyttää rata- tai suoralinjaleikkaustoiminnalla (ylös ja alas). Rataleikkaustoiminnan aikana terä työntyy eteenpäin leikkauksiin pitkin ja se lisää merkittävästi leikkausnopeutta.

Leikkaustoiminnan vaihtamiseksi käännä vain leikkaustoiminnan vaihtovipua haluttuun leikkaustoiminta-asemaan. Katso taulukkoa sopivan leikkaustoiminnan valitsemiseksi.

Paikka	Leikkaustoiminta	Sovellukset
0	Suoralinjaleikkaustoiminta	Pehmeän teräksen, ruostumattoman teräksen ja muovin leikkaamiseen. Puun ja vanerin siisteihin leikkaamiseen.
I	Pienen radan leikkaustoimintaan	Pehmeän teräksen, alumiinin ja kovan puun leikkaamiseen.
II	Keskisuuren radan leikkaustoimintaan	Puun ja vanerin leikkaamiseen. Alumiinin ja pehmeän teräksen nopeaan leikkaamiseen.
III	Suuren radan leikkaustoimintaan	Puun ja vanerin nopeaan leikkaamiseen.

Käynnin käyttäminen

Käynnistä laite painamalla lukitus-/vapautuspainiketta. Laite siirtyy valmiustilaan. Käynnistä laite painamalla liipaisinkytkintä valmiustilassa. Pysäytä laite vapauttamalla liipaisinkytkin. Laite siirtyy valmiustilaan. Sammuta laite painamalla lukitus-/vapautuspainiketta valmiustilassa.

Jos haluat laitteen pysyvän käynnissä jatkuvasti, paina liipaisinkytkintä valmiustilassa ja paina tämän jälkeen lukituspainike alas. Jos haluat pysäyttää laitteen, paina liipaisinkytkin kokonaan alas ja vapauta se sitten.

- **Kuva4:** 1. Lukitus-/vapautuspainike
2. Lukituspainike 3. Liipaisinkytkin

HUOMAA: Jos laitetta ei käytetä valmiustilassa 10 sekunnin aikana, laite sammuu automaattisesti ja lamppu sammuu.

HUOMAA: Lukitus-/vapautuspainike ei ole käytössä laitteen ollessa käytössä.

Etulampun sytyttäminen

▲HUOMIO: Älä katso suoraan lampuun tai valonlähteeseen.

Voit sytyttää lampun painamalla lukitus-/vapautuspainiketta. Voit sammuttaa lampun painamalla uudelleen lukitus-/vapautuspainiketta.

HUOMAUTUS: Jos laite on ylikuumentunut, lamppu alkaa vilkkua. Anna laitteen jäähtyä ennen sen käyttämistä uudelleen.

HUOMAA: Pyyhi lika pois linssistä kuivalla liinalla. Varo naarmuttamasta linssiä, ettei valoteho laske.

Nopeudensäätöpyörä

- **Kuva5:** 1. Nopeudensäätöpyörä

Laitenopeutta voidaan säätää kiertämällä nopeudensäätöpyörää. Suurin nopeusasetus on 5 ja pienin nopeusasetus 1.

Katso ja valitse taulukosta sahattavan työkalun oikea nopeusasetus. Todellinen nopeus voi kuitenkin erota työkalun tyypin tai paksuuden mukaan. Yleensä korkeammat nopeudet mahdollistavat nopeamman työkalujen sahaamisen sillä seurauksella, että terän käyttöaika lyhenee.

Työkappale	Numero
Puu	4 - 5
Pehmeä teräs	3 - 5
Ruostumaton teräs	3 - 4
Alumiini	3 - 5
Muovit	1 - 4

HUOMAUTUS: Jos nopeudensäätöpyörää on muutettava lukemasta "5" lukemaan "1", kierrä nopeudensäätöpyörää vastapäivään. Älä kierrä nopeudensäätöpyörää väkisin.

Sähköisen toiminnan

Laite on varustettu sähköisillä toiminnolla helppokäyttöisyyttä ajatellen.

- Pehmeä käynnistys
Pehmeä käynnistys -toiminto minimoi käynnistysiskun ja näin laite käynnistyy tasaisesti.
- Pehmeä kuormittamaton pyörimistoiminto
Tärinän alentamiseksi ja lehtisahanterän kohdistamiseksi sahauslinjaan helposti, laite alentaa automaattisesti pyörimisnopeutta niin kauan, kunnes laite aloittaa työkappaleen sahaamisen nopeudensäätöpyörän asetuksen ollessa 2 tai korkeampi. Kun laite aloittaa työkappaleen sahaamisen, laitteenopeus savauttaa esiasetetun nopeusasetuksen ja pitää sitä yllä niin kauan, kunnes laite pysäytetään.

HUOMAA: Lämpötilan ollessa alhainen, tämä toiminto ei ehkä ole käytössä.

Pehmeän kuormittamattoman pyörimistoiminnon ottaminen pois käytöstä

Ota pehmeä kuormittamaton pyörimistoiminto pois käytöstä noudattamalla alapuolella kuvattuja vaiheita.

1. Varmista, että laite on sammutettu.
2. Aseta nopeudensäätöpyörä nopeusasetukselle "1".
3. Paina lukitus-/vapautuspainiketta laitteen käynnistämiseksi.
4. Kierrä nopeudensäätöpyörää nopeusasetukselle "5", ja tämän jälkeen kierrä sitä takaisin nopeusasetukselle "1".

Merkkivalo vilkkuu kaksi kertaa osoittaen, että pehmeä kuormittamaton pyörimistoiminto on pois käytöstä. Ota tämä toiminta uudelleen käyttöön suorittamalla samat toimenpiteet uudelleen.

HUOMAA: Jos pehmeä kuormittamaton pyörimistoiminto on pois käytöstä, merkkivalo vilkkuu kaksi kertaa laitteen käynnistämisen aikana.

HUOMAA: Voit myös ottaa pehmeän kuormittamattoman pyörimistoiminnon pois käytöstä tai käyttöön muuttamalla nopeudensäätöpyörän nopeusasetuksen kohdasta "5" kohtaan "1", tai toisinpäin kohdasta "1" kohtaan "5".

KOKOONPANO

▲HUOMIO: Varmista aina ennen mitään työkalulle tehtäviä toimenpiteitä, että se on sammutettu ja akku irrotettu.

Lehtisahanterän asennus tai irrotus

▲HUOMIO: Poista aina terään ja/tai terän kannattimeen tarttuneet lastut tai vierasaineet. Tämän laiminlyönti saattaa aiheuttaa terän riittämättömän kiristyksen, joka voi aiheuttaa vakavia vammoja.

▲HUOMIO: Älä kosketa lehtisahanterää tai työkappaletta heti käytön jälkeen. Ne voivat olla hyvin kuumia ja aiheuttaa palovammoja.

▲HUOMIO: Varmista aina lehtisahanterä lujasti. Terän riittämätön kiristäminen voi aiheuttaa terän rikkoutumisen tai vakavia henkilövammoja.

▲HUOMIO: Käytä ainoastaan B-tyypin lehtisahanterää. Muiden, kuin B-tyypin terien käyttö aiheuttaa terän riittämättömän kiristämisen, joka voi aiheuttaa vakavan vamman.

▲HUOMIO: Kun irrotat lehtisahanterää, ole varovainen, jotta et loukkaa sormiasi terän yläosaan tai työkappaleen kärkiin.

Varmista ennen lehtisahanterän asentamista, että terän kiinnitysvipu on vapautetussa asennossa.

Asenna lehtisahanterä työntämällä se (hammastus eteenpäin) teräpidikkeeseen. Vipu siirtyy lukittuun asentoon ja terä lukittuu paikalleen. Varmista, että terän takareuna sopii rullaan. Varmista, ettei terä pääse irtomaan käytön aikana, vetämällä terää kevyesti.

► **Kuva6:** 1. Lehtisahanterän kannatin 2. Vapautettu asento 3. Lukittu asento

► **Kuva7:** 1. Lehtisahan teräpidike 2. Lehtisahanterä

▲HUOMIO: Jos vipu ei siirry lukittuun asentoon, terä ei ole oikein paikallaan. Älä paina vipua lukittuun asentoon käsin. Tämä voi aiheuttaa laitevahingon.

Irrota lehtisahanterä työntämällä vipua eteenpäin niin pitkälle kuin se menee. Sen jälkeen terän voi irrottaa.

► **Kuva8:** 1. Lehtisahan teräpidike 2. Lehtisahanterä

HUOMAA: Voitele tela silloin tällöin.

Kuusioavaimen varastointi

► **Kuva9:** 1. Koukku 2. Kuusioavain

Säilytä kuusioavainta kuvan osoittamassa paikassa, ettei se pääse katoamaan.

Aseta ensin kuusioavain aukkoon. Työnnä avainta sitten koukun sisään, kunnes se lukittuu.

TYÖSKENTELY

▲HUOMIO: Pidä aina pohjan upotus työkaluissa. Tämän laiminlyönti voi aiheuttaa terän rikkoutumisen, joka voi aiheuttaa vakavan vamman.

▲HUOMIO: Etene työkalulla hyvin hitaasti leikkatessa kaaria tai rullauksia. Työkalun pakotaminen voi aiheuttaa kaltevan leikkauspinnan ja lehtisahanterän rikkoutumisen.

► **Kuva10:** 1. Sahauslinja 2. Alusta

Kytke työkalu välillä 6:ää koskettamatta ja odota, kunnes terä saavuttaa täyden nopeuden. Aseta sitten työkalun pohja tasaisesti työkappaleen päälle ja siirrä työkalua varovasti eteenpäin aikaisemmin merkittyä leikkauslinjaa pitkin.

Viisteitysleikkaus

▲HUOMIO: Varmista aina ennen pohjan kallistamista, että laite on sammutettu ja akku irrotettu.

Voit tehdä viisteitysleikkauksia pohjaa kallistamalla 0° ja 45° kulman välillä (vasen tai oikea).

► **Kuva11**

Löysää pohjan takana olevaa pulttia kuusioavaimella. Siirrä pohjaa siten, että pultti on asennettu pohjassa olevan ristimuotoisen aukon keskelle.

► **Kuva12:** 1. Kuusioavain 2. Pultti 3. Alusta

Kallista pohjaa, kunnes haluttu viisteityskulma on saavutettu. Moottorirungon reuna ilmaisee viisteityskulman ristimuotoisen aukon mukaan. Kiristä sitten pulttia pohjan kiinnittämiseksi.

► **Kuva13:** 1. Reuna 2. Asteikko

Etu-upotus leikkaukset

► **Kuva14:** 1. Kuusioavain 2. Pultti 3. Alusta

Löysennä pohjan takana oleva pultti kuusioavaimella ja työnnä pohja täysin taaksepäin. Kiristä sitten pulttia pohjan kiinnittämiseksi.

Poisleikkaukset

Leikkaukset voi tehdä jommallakummalla menetelmällä "aloitusreiän kairaminen" tai "upotussahaus".

Aloitusreiän kairaminen

► **Kuva15**

Sisäisten leikkausten tekoon ilman reunan läpiviinti leikkua, kairaa ennakolta halkaisijaltaan 12 mm:n tai sitä suurempi reikä. Työnnä terä tähän reikään leikkauksesi aloittamiseksi.

Upotussahaus

► **Kuva16**

Sinun ei tarvitse kairata aloitusreikää tai tehdä läpiviennitileikkausta, jos toimit varovasti seuraavalla tavalla.

1. Kallista työkalua pohjan yläreunaan siten, että lehtisahanterän kärki osoittaa juuri työkappaleen pinnan yläpuolelle.
2. Paina työkalua siten, että pohjan etureuna ei liiku, kun käynnistät työkalun ja laske työkalun takakarkea hitaasti.
3. Terän tunkeutuessa työkappaleeseen laske työkalun pohja hitaasti työkappaleen pinnalle.
4. Päättää leikkaus normaaliin tapaan.

Reunojen viimeistely

► **Kuva17**

Aja terä kevyesti leikattuja reunoja pitkin reunojen tasaamiseksi tai mittasäätojen tekemiseksi.

Metallin leikkaus

Käytä aina sopivaa jäähdytysainetta (leikkuuöljyä), kun leikkaat metallia. Muuten seurauksena on lehtisahanterän merkittävä kuluminen. Työkappaleen alapintaa voidaan rasvata jäähdytysnesteen käytön sijaan.

Pölynpoisto

Lisävaruste

Puhtaampia sahaustoimintoja voidaan suorittaa liittämällä tämä laite Makitan pölynimuriin.

Pölysuojuksen asentaminen ja irrottaminen

Kiinnitä pölysuojus kuvan osoittamalla tavalla.

► **Kuva18:** 1. Pölysuojus

Irrota pölysuojus painamalla suojuksen toista puolelta ja tämän jälkeen irrottamalla se kuvan osoittamalla tavalla.

► **Kuva19:** 1. Pölysuojus

Pölysuuttimen asentaminen ja irrottaminen

Kiinnitä pölysuutin täysin laitteeseen.

► **Kuva20:** 1. Pölysuutin

Irrota pölysuutin työntämällä sitä ulos ja samanaikaisesti painamalla pölysuuttimen painiketta.

► **Kuva21:** 1. Painike 2. Pölysuutin

Laitteen liittäminen pölynimuriin

Kiinnitä pölynimurin letku pölysuuttimeen.

► **Kuva22**

Repeämäaita

Lisävaruste

⚠HUOMIO: Varmista aina, että työkalu on kytketty pois päältä ja akku on poistettu, ennen lisävarusteiden asentamista tai poistamista.

Suorat leikkaukset

Kun leikkaat toistuvasti alle 160 mm leveitä työkappaleita tai pienempiä, repeämäaidan käyttö turvaa nopeat, puhtaat ja suorat leikkaukset.

► **Kuva23:** 1. Repeämäaita (ohjaustulkki)

Asennukseen liitä repeämäaita pohjan sivussa olevaan suorakulmaiseen reikään siten, että aidan ohjain katsoo alaspäin. Työnnä repeämäaita haluttuun leikkauslevyen asentoon, kiristä sitten pultti varmistaaksesi sen.

► **Kuva24:** 1. Kuusioavain 2. Pultti 3. Ohjainaita 4. Repeämäaita (ohjaustulkki)

Pyöreät leikkaukset

Kun leikkaat säteeltään 170 mm tai pienempiä ympyröitä tai kaaria, asenna repeämäaita seuraavasti.

► **Kuva25:** 1. Repeämäaita (ohjaustulkki)

1. Liitä repeämäaita pohjan sivussa olevaan suorakulmaiseen reikään siten, että aidan ohjain osoittaa ylöspäin.

2. Liitä pyöreäohjaimen tappi yhteen aitaohjaimessa olevista kahdesta reiästä. Ruuvaa kierteinen nuppi tappiin varmistaaksesi tapin.

► **Kuva26:** 1. Kierteitetty nuppi 2. Ohjainaita 3. Repeämäaita (ohjaustulkki) 4. Tappi

3. Työnnä repeämäaita haluttuun leikkaussäteeseen ja kiristä pultti paikalleen sen varmistamiseksi. Siirrä sitten pohja täysin eteenpäin.

HUOMAA: Käytä aina lehtisahanterännumeroa B-17, B-18, B-26 tai B-27 leikatessasi ympyröitä tai kaaria.

Lohkaisunestolaite

Lisävaruste

⚠HUOMIO: Lohkaisunestolaitetta ei voida käyttää viisteityisleikkauksia tehtäessä.

► **Kuva27:** 1. Alusta 2. Lohkaisunestolaite

Lohkeamattomien leikkausten saavuttamiseksi voit käyttää lohkaisunestolaitetta. Lohkaisunesto laitteen asentamiseksi siirrä työkalun pohja täysin eteenpäin ja sovita se pohjaan työkalun pohjan takaosasta. Kun käytät suojakilpeä, asenna lohkaisunestolaite suojakilven päälle.

Suojalevy

Lisävaruste

► **Kuva28:** 1. Suojalevy 2. Alusta

Käytä suojalevyä koristevanereiden, muovien, jne. leikatessa. Se suojaa herkkiä ja arkoja pintoja vahingoittumiselta. Sovita se työkalun pohjan takaosaan.

Ohjauksikiskon sovitinsarja

Lisävaruste

Kun sahaat rinnakkaisia ja yhtäläisiä leveyksiä tai sahaat suoraan, ohjauksikiskon ja ohjauksikiskon sovitin käyttö varmistavat nopeat ja puhtaat sahaustulokset. Asenna ohjauksikiskon sovitin asettamalla viivaintanko alustan neljöreikään niin pitkälle, kuin se menee. Kiristä pultti luotettavasti kiinni kuusioavaimella.

► **Kuva29:** 1. Kuusioavain 2. Viivaintanko

Aseta viivaintanko ohjauksikiskon sovitin neljöreikään ja kiristä ruuvi huolellisesti kiinni. Asenna ohjauksikiskon sovitin ohjauksikiskon päälle.

► **Kuva30:** 1. Ohjainkiskon sovitin 2. Ohjauksikisko 3. Ruuvi

HUOMAUTUS: Käytä aina teriä Nro. B-8, B-13, B-16, B-17 tai 58 käyttäessäsi ohjauksikiskoa ja ohjauksikiskon sovitinta.

KUNNOSSAPITO

⚠HUOMIO: Varmista aina ennen tarkastusta tai huoltoa, että työkalu on sammutettu ja akku irrotettu.

HUOMAUTUS: Älä koskaan käytä bensiiniä, ohenteita, alkoholia tai tms. aineita. Muutoin pinta voi halkeilla tai sen värit ja muoto voivat muuttua. Muutoin laitteeseen voi tulla värjäytymiä, muodon vääristymiä tai halkeamia.

Tuotteen TURVALLISUUDEN ja LUOTETTAVUUDEN takaamiseksi korjaukset, muut huoltotyöt ja säädöt on teetettävä Makitan valtuutetussa huoltopisteessä Makitan varaosia käyttäen.

LISÄVARUSTEET

⚠HUOMIO: Seuraavia lisävarusteita tai laitteita suositellaan käytettäväksi tässä ohjeessa kuvatun Makita-työkalun kanssa. Muiden lisävarusteiden tai laitteiden käyttö voi aiheuttaa henkilövahinkoja. Käytä lisävarusteita ja -laitteita vain niiden käyttötarkoituksen mukaisesti.

Jos tarvitset apua tai yksityiskohtaisempia tietoja seuraavista lisävarusteista, ota yhteys paikalliseen Makitan huoltoon.

- Lehtisahan terät
- Kuusioavain 3
- Repeämäaita (ohjauskulma) sarja
- Ohjauskiskon sovitinsarja
- Lohkaisunestolaite
- Letku (pölynimuriin)
- Suojalevy
- Pölysuutin
- Pölysuojus
- Aito Makitan akku ja laturi

HUOMAA: Jotkin luettelossa mainitut varusteet voivat sisältyä työkalun toimitukseen vakiovarusteina. Ne voivat vaihdella maittain.

SPECIFIKĀCIJAS

Modelis:	JV103D	
Gājiena garums	23 mm	
Gājienu skaits minūtē	800 – 3 000 min ⁻¹	
Asmens veids	B veids	
Maks. zāģēšanas jauda	Koks	90 mm
	Miksts tērauds	10 mm
	Alumīnijs	20 mm
Kopējais garums	237 mm	
Nominālais spriegums	10,8 V - 12 V maks. līdzstrāva	
Standarta akumulatora kasetne	BL1015 / BL1016 / BL1020B / BL1021B / BL1040B / BL1041B	
Neto svars	1,9 – 2,0 kg	

- Nepārtrauktās izpētes un izstrādes programmas dēļ šeit uzrādītās specifikācijas var tikt mainītas bez brīdinājuma.
- Specifikācijas un akumulatora kasetne var atšķirties dažādās valstīs.
- Svārs var būt atšķirīgs atkarībā no papildierīces(-ēm), tostarp akumulatora kasetnes. Tabulā ir attēlota vieglākā un smagākā kombinācija atbilstoši EPTA procedūrai 01/2014.

Paredzētā lietošana

Šis darbarīks ir paredzēts koka, plastmasas un dzelzs materiālu zāģēšanai. Tā kā ierīcei ir plašs piederumu un asmeņu klāsts, darbarīku var izmantot dažādiem mērķiem un tas ir ļoti labi piemērots ieliektu un apaļu griezumu zāģēšanai.

Trokšņa līmenis

Tipiskais A svērtais trokšņa līmenis noteikts saskaņā ar EN60745:

Skaņas spiediena līmeni (L_{pA}): 85 dB (A)

Skaņas jaudas līmeni (L_{WA}): 96 dB (A)

Mainīgums (K): 3 dB (A)

BRĪDINĀJUMS: Lietojiet asu aizsargus.

Vibrācija

Vibrācijas kopējā vērtība (trīsasu vektora summa) noteikta atbilstoši EN60745:

Darba režīms: plātņu zāģēšana

Vibrācijas emisija ($a_{h,B}$): 8,5 m/s²

Mainīgums (K): 1,5 m/s²

Darba režīms: skārda lokšņu griešana

Vibrācijas emisija ($a_{h,M}$): 6,0 m/s²

Mainīgums (K): 1,5 m/s²

PIEZĪME: Paziņotā vibrācijas emisijas vērtība noteikta atbilstoši standarta pārbaudes metodei un to var izmantot, lai salīdzinātu vienu darbarīku ar citu.

PIEZĪME: Paziņoto vibrācijas emisijas vērtību arī var izmantot iedarbības sākotnējā novērtējumā.

BRĪDINĀJUMS: Reāli lietojot elektrisko darbarīku, vibrācijas emisija var atšķirties no paziņotās emisijas vērtības atkarībā no darbarīka izmantošanas veida.

BRĪDINĀJUMS: Lai aizsargātu lietotāju, nosakiet drošības pasākumus, kas pamatoti ar iedarbību reālos darba apstākļos (ņemot vērā visus ekspluatācijas cikla posmus, piemēram, laiku, kamēr darbarīks ir izslēgts un kad darbojas tukšgaitā, kā arī palaides laiku).

EK atbilstības deklarācija

Tikai Eiropas valstīm

EK atbilstības deklarācija šajā lietošanas rokasgrāmatā ir iekļauta kā A pielikums.

DROŠĪBAS BRĪDINĀJUMI

Vispārīgi elektrisko darbarīku drošības brīdinājumi

BRĪDINĀJUMS: Izlasiet visus drošības brīdinājumus, instrukcijas, apskatiet ilustrācijas un tehniskos datus, kas iekļauti mehānizētā darbarīka komplektācijā. Ja netiek ievēroti visi tālāk minētie noteikumi, var tikt izraisīta elektrotrauma, notikt aizdegšanās un/vai rasties smagas traumas.

Glabājiet visus brīdinājumus un norādījumus, lai varētu tajos ieskatīties turpmāk.

Termins „elektrisks darbarīks” brīdinājumos attiecas uz tādu elektrisku darbarīku, ko darbina ar elektrību (ar vadu), vai tādu, ko darbina ar akumulatoru (bez vada).

Drošības brīdinājumi bezvada figūrzāģa lietošanai

1. Strādājot turiet mehānisko darbarīku aiz izolētajām satveršanas virsmām, ja griezējinstrumentus varētu saskarties ar neredzamu elektroinstalāciju. Griezējinstrumentam saskaroties ar vadu zem sprieguma, spriegums var tikt pārnest uz mehāniskā darbarīka metāla daļām, un, iespējams, radīt operatoram elektrotraumu.
2. Ar skavām vai citā praktiskā veidā nostipriniet apstrādājamo materiālu un atbalstiet pret stabilu platformu. Turot materiālu ar roku vai pie sava ķermeņa, tas ir nestabilā stāvoklī, un jūs varat zaudēt kontroli pār to.
3. Vienmēr lietojiet aizsargbrilles. Parastās brilles vai saulesbrilles NAV aizsargbrilles.
4. Negrieziet naglas. Pirms sākt darbu pārbaudiet, vai apstrādājamajā materiālā nav naglas, un tās izņemiet.
5. Negrieziet pārāk lielu apstrādājamo materiālu.
6. Pirms griešanas pārbaudiet, vai starp apstrādājamo materiālu ir pietiekams attālums, lai asmens nepieskartos grīdai, darbapdaldam u.c.
7. Darbarīku turiet cieši.
8. Pirms slēdža pārslēgšanas ieslēgtā stāvoklī pārliecinieties, ka asmens nepieskaras apstrādājamajam materiālam.
9. Netuviniet rokas kustīgajām daļām.
10. Neatsājiēt darbarīku ieslēgtu. Darbarīku darbiniet vienīgi tad, ja turat to rokās.
11. Pirms asmens izņemšanas no apstrādājamā materiāla vienmēr izslēdziet darbarīku un nogaidiet, līdz asmens apstājas pavisam.
12. Nepieskarieties asmenim vai apstrādājamajam materiālam tūlīt pēc darba veikšanas; tie var būt ļoti karsti un var apdedzināt ādu.
13. Lieki nedarbiniet darbarīku bez slodzes.
14. Daži materiāli satur ķīmiskas vielas, kas var būt toksiskas. Izvairieties no putekļu ieelpošanas un to nokļūšanas uz ādas. Ievērojiet materiāla piegādātāja drošības datus.
15. Vienmēr izmantojiet materiālam un konkrētam gadījumam piemērotu putekļu masku/respiratoru.

SAGLABĀJIET ŠOS NORĀDĪJUMUS.

▲BRĪDINĀJUMS: NEPIEĻAUJIET to, ka labu iemaņu vai izstrādājuma labas pārzināšanas (darbarīku atkārtoti ekspluatējot) rezultātā vairs stingri neievērojat šī izstrādājuma drošības noteikumus. NEPAREIZI LIETOJOT darbarīku vai neievērojot šajā instrukcijā rokasgrāmatā minētos drošības noteikumus, var tikt gūtas smagas traumas.

Svarīgi drošības norādījumi par akumulatora kasetni

1. Pirms akumulatora lietošanas izlasiet visus norādījumus un brīdinājumus, kuri attiecas uz (1) akumulatora lādētāju, (2) akumulatoru un (3) ierīci, kurā tiek izmantots akumulators.

2. Neizjauciet akumulatora kasetni.
3. Ja akumulatora darbības laiks kļūva ievērojami īsāks, nekavējoties pārkauciet to izmantot. Citādi, tas var izraisīt pārkaucējumu, uzliesmojumu vai pat sprādzienu.
4. Ja elektrolīts nonāk acīs, izskalojiet tās ar tīru ūdeni un nekavējoties griezieties pie ārsta. Tas var izraisīt redzes zaudēšanu.
5. Neradiet īssavienojumu akumulatora kasetnē:
 - (1) Nepieskarieties spailēm ar elektrību vadošiem materiāliem.
 - (2) Neuzglabājiet akumulatoru kasetni kopā ar citiem metāla priekšmetiem, tādēim kā naglas, monētas u. c.
 - (3) Nepakļaujiet akumulatora kasetni ūdens vai lietus iedarbībai.Akumulatora īssavienojums var radīt spēcīgu strāvas plūsmu, pārkaršanu, uzliesmojumu un pat sabojāt akumulatoru.
6. Neglabājiet darbarīku un akumulatora kasetni vietās, kur temperatūra var sasniegt vai pārsniegt 50 °C (122 °F).
7. Nededziniet akumulatora kasetni, pat ja tā ir stipri bojāta vai pilnībā nolietota. Akumulatora kasetne ugunī var eksplodēt.
8. Uzmanieties, lai neļautu akumulatoram nokrist un nepakļautu to sitienam.
9. Neizmantojiet bojātu akumulatoru.
10. Uz izmantotajiem litiņa jonu akumulatoriem attiecas likumdošanas prasības par bīstamiem izstrādājumiem.

Komerציālā transportēšanā, ko veic, piemēram, trešās puses, transporta uzņēmumi, jāievēro uz iesaiņojuma un marķējuma norādītās īpašās prasības. Lai izstrādājumu sagatavotu nosūtīšanai, jāsazinās ar bīstamo materiālu speciālistu. Ievērojiet arī citus attiecīgos valsts noteikumus. Valjējus kontaktus nosedziet ar līmlenti vai citādi pārklājiet, bet akumulatoru iesaiņojiet tā, lai sānīt tas nevarētu izkustēties.

11. Ievērojiet vietējos noteikumus par akumulatora likvidēšanu.

SAGLABĀJIET ŠOS NORĀDĪJUMUS.

▲UZMANĪBU: Lietojiet tikai oriģinālos Makita akumulatorus. Ja lietojat neoriģinālus Makita akumulatorus vai pārveidotus akumulatorus, tie var uzsprāgt un izraisīt aizdegšanos, traumas un materiālos zaudējumus. Tiks anulēta arī Makita darbarīka un lādētāja garantija.

Ieteikumi akumulatora kalpošanas laika pagarināšanai

1. Uzlādējiet akumulatora kasetni, pirms tā ir pilnībā izlādējusies. Vienmēr, kad ievērojāt, ka darbarīka darba jauda zudusi, apturiet darbarīku un uzlādējiet akumulatora kasetni.
2. Nekad neuzlādējiet pilnībā uzlādētu akumulatora kasetni. Pārmērīga uzlāde saīsina akumulatora kalpošanas laiku.
3. Uzlādējiet akumulatora kasetni istabas temperatūrā 10 °C - 40 °C. Karstai akumulatora kasetnei pirms uzlādes ļaujiet atdzist.

FUNKCIJU APRAKSTS

UZMANĪBU: Pirms darbarīka regulēšanas vai tā darbības pārbaudes vienmēr pārlicinieties, ka darbarīks ir izslēgts un akumulatora kasetne ir izņemta.

Akumulatora kasetnes uzstādīšana un izņemšana

UZMANĪBU: Vienmēr pirms akumulatora kasetnes uzstādīšanas vai noņemšanas izslēdziet darbarīku.

UZMANĪBU: Uzstādot vai izņemot akumulatora kasetni, darbarīku un akumulatora kasetni turiet cieši. Ja darbarīku un akumulatora kasetni netur cieši, tie var izkrist no rokām un radīt bojājumus darbarīkam un akumulatora kasetnei, kā arī izraisīt ievainojumus.

- **Att.1:** 1. Sarkanās krāsas indikators 2. Poga 3. Akumulatora kasetne

Lai izņemtu akumulatora kasetni, izvelciet to no darbarīka, pārbīdot kasetnes priekšpusē esošo pogu.

Lai uzstādītu akumulatora kasetni, salāgojiet mēlīti uz akumulatora kasetnes ar rievu ietvarā un iebīdīet to vietā. Ievietojiet to līdz galam, līdz tā ar klikšķi nokļūst vietā. Ja pogas augšējā daļā redzams sarkanās krāsas indikators, tas nozīmē, ka tā nav pilnīgi fiksēta.

UZMANĪBU: Vienmēr ievietojiet akumulatora kasetni tā, lai sarkanais indikators nebūtu redzams. Pretējā gadījumā tā var nejausi izkrist no darbarīka un izraisīt jums vai apkārtējiem traumas.

UZMANĪBU: Neievietojiet akumulatora kasetni ar spēku. Ja kasetne neslīd ietvarā viegli, tā nav pareizi ielikta.

Darbarīka/akumulatora aizsardzības sistēma

Darbarīkam ir darbarīka/akumulatora aizsardzības sistēma. Šī sistēma automātiski izslēdz strāvas padevi motoram, lai pagarinātu darbarīka un akumulatora darbūžu. Lietošanas laikā darbarīks automātiski pārstās darboties, ja darbarīku vai akumulatoru pakļaus kādam no šādiem apstākļiem.

Aizsardzība pret pārslodzi

Ja akumulatoru lieto tā, ka tas patērē pārmērīgi lielu strāvas daudzumu, darbarīks automātiski pārstāj darboties bez jebkādas norādes. Šādā gadījumā izslēdziet darbarīku un pārtrauciet darbību, kas izraisa darbarīka pārslodzi. Tad ieslēdziet darbarīku, lai atsāktu darbu.

Aizsardzība pret pārkaršanu

Ja darbarīks vai akumulators ir pārkaris, darbarīks automātiski izslēdzas un sāk mirgot lampa. Šādā gadījumā ļaujiet darbarīkam un akumulatoram atdzist un tikai tad atkal ieslēdziet darbarīku.

Aizsardzība pret akumulatora pārmērīgu izlādi

Ja atlikusī akumulatora jauda ir nepietiekama, darbarīks automātiski pārstāj darboties. Ja ieslēgsit darbarīku, motors vēlreiz sāks darboties, taču drīz apstāsies. Šādā gadījumā izņemiet no darbarīka akumulatoru un uzlādējiet to.

Atlikušās akumulatora jaudas indikators

Tikai akumulatora kasetnēm ar indikatoru

► **Att.2:** 1. Indikatora lampas 2. Pārbaudes poga
Nospiediet akumulatora kasetnes pārbaudes pogu, lai pārbaudītu akumulatora atlikušo uzlādes līmeni. Indikatoru iedegsies uz dažām sekundēm.

Indikatora lampas		Atlikusī jauda
lededzies	izslēgts	
		No 75% līdz 100%
		No 50% līdz 75%
		No 25% līdz 50%
		No 0% līdz 25%

PIEZĪME: Reālā jauda var nedaudz atšķirties no norādītās atkarībā no lietošanas apstākļiem un apkārtējās temperatūras.

Zāģēšanas režīma izvēle

► **Att.3:** 1. Zāģēšanas darbības maiņas svira

Šo darbarīku var izmantot, zāģējot ar ekscentra kustību vai taisnā līnijā (augšup, lejup). Zāģējot ar ekscentra kustību, finierzāģa asmens tiek spiests uz priekšu ar zāģēšanas gājienu, ievērojami palielinot zāģēšanas ātrumu.

Lai mainītu zāģēšanas režīmu, zāģēšanas režīma regulēšanas sviru pārbīdīet vēlamajā zāģēšanas režīma stāvoklī. Lai izvēlētos atbilstošu zāģēšanas režīmu, skatiet tabulu.

Stāvoklis	Zāģēšanas darbība	Lietojums
0	Zāģēšana taisnā līnijā	Miksta tērauda, nerūsējošā tērauda un plastmasas griešanai. Precīziem griezumiem kokā un finierī.
I	Neliela griešana ekscentra režīmā	Miksta tērauda, alumīnija un cietkoksnes griešanai.
II	Vidēja lieluma ekscentra griešana	Koka un finiera zāģēšanai. Ātrai iegriešanai alumīnija un mikstā tēraudā.
III	Liela ekscentra griešana	Ātrai iegriešanai kokā un finierī.

Slēdža darbība

Lai ieslēgtu darbarīku, nospiediet bloķēšanas/atbloķēšanas pogu. Darbarīks pārslēdzas gaidstāves režīmā. Lai iedarbinātu darbarīku, gaidstāves režīmā pavelciet slēdža mēlīti. Lai apturētu darbarīku, atlaidiet slēdža mēlīti. Darbarīks pārslēdzas gaidstāves režīmā. Lai izslēgtu darbarīku, gaidstāves režīmā nospiediet bloķēšanas/atbloķēšanas pogu.

Lai darbarīks darbotos nepārtraukti, gaidstāves režīmā pavelciet slēdža mēlīti un iespiediet bloķēšanas pogu. Lai apstādinātu darbarīku, pilnībā nospiediet slēdža mēlīti, tad atlaidiet to.

- **Att.4:** 1. Bloķēšanas/atbloķēšanas poga
2. Bloķēšanas poga 3. Slēdža mēlīte

PIEZĪME: Ja ar darbarīku gaidstāves režīmā 10 sekundes netiek veiktas nekādas darbības, tas automātiski izslēdzas un lampa izdziest.

PIEZĪME: Bloķēšanas/atbloķēšanas poga nav pieejama darbarīka darbības laikā.

Priekšējās lampas ieslēgšana

⚠UZMANĪBU: Neskatieties gaismā, neļaujiet tās avotam iespīdēt acīs.

Lai ieslēgtu lampu, nospiediet atbloķēšanas/bloķēšanas pogu. Lai izslēgtu lampu, nospiediet atbloķēšanas/bloķēšanas pogu.

IEVĒRĪBA: Ja darbarīks ir pārkarsis, lampa mirgo. Pirms atsākat darbu, pilnībā atdzesējiet darbarīku.

PIEZĪME: Ar sausu lupatīņu notīriet netīrumus no lampas lēcas. Izvairieties saskrāpēt lampas lēcu, jo tādējādi tiek samazināts apgaismojums.

Ātruma regulēšanas ciparrīpa

- **Att.5:** 1. Ātruma regulēšanas ciparrīpa

Pagriežot ātruma regulēšanas ciparrīpu, var regulēt darbarīka ātrumu. Lielākais ātrums ir 5. pozīcijā, bet mazākais ātrums ir 1. pozīcijā.

Lai izvēlētos attiecīgā priekšmeta apstrādei atbilstošu ātrumu, skatiet tabulu. Tomēr atbilstošais ātrums var atšķirties atkarībā no apstrādājamā materiāla veida vai biezuma. Kopumā – ar lielāku ātrumu apstrādājamo materiālu var sazāgēt ātrāk, taču samazinās asmens darbmūžs.

Apstrādājamais materiāls	Cipars
Koks	4 – 5
Mīksts tērauds	3 – 5
Nerūsošais tērauds	3 – 4
Alumīnijs	3 – 5
Plastmasa	1 – 4

IEVĒRĪBAI: Mainot ātrumu no 5 uz 1, griežiet ciparrīpu pretēji pulksteņrādītāju kustības virzienam. Negriežiet ciparrīpu pulksteņrādītāju kustības virzienā ar spēku.

Lai atvieglotu lietošanu, darbarīks ir aprīkots ar elektroniskām funkcijām.

- Laidena ieslēgšana
Laidena ieslēgšana mazina iedarbināšanas triecienu, un darbarīks uzsāk darbību vienmērīgi.
- Laidena rotācija bez slodzes
Ja ātruma regulēšanas ciparrīpa ir pagriezta pozīcijā 2 vai augstākā, tad, lai samazinātu vibrāciju un vieglāk savietotu finierzāģa asmeni ar griešanas līniju, darbarīks automātiski samazina rotācijas ātrumu, līdz darbarīks sāk griezt apstrādājamo materiālu. Kad darbarīks sāk griezt apstrādājamo materiālu, darbarīka ātrums sasniedz iepriekš iestatīto ātrumu un saglabā to līdz brīdim, kad darbarīks apstājas.

PIEZĪME: Zemā temperatūrā šī funkcija var nebūt pieejama.

Laidenās rotācijas funkcijas bez slodzes atspējošana

Lai atspējotu laidenās rotācijas funkciju bez slodzes, veiciet tālāk norādītās darbības.

1. Pārbaudiet, vai darbarīks ir izslēgts.
2. Iestatiet ātruma regulēšanas ciparrīpu pozīcijā 1.
3. Nospiediet bloķēšanas/atbloķēšanas pogu, lai ieslēgtu darbarīku.
4. Pagriežiet ātruma regulēšanas ciparrīpu pozīcijā 5 un tad griežiet to atpakaļ pozīcijā 1.

Lampiņa divas reizes nomirgo, norādot, ka laidenās rotācijas funkcija bez slodzes ir atspējota. Lai atkal iespējotu šo funkciju, veiciet to pašu procedūru vēlreiz.

PIEZĪME: Ja laidenās rotācijas funkcija bez slodzes ir atspējota, tad, darbarīku ieslēdzot, lampiņa divas reizes nomirgo.

PIEZĪME: Jūs varat arī atspējot vai iespējot laidenās rotācijas funkciju bez slodzes, pagriežot ātruma regulēšanas ciparrīpu no pozīcijas 5 uz 1 un tad atkal no 1 uz 5.

MONTĀŽA

⚠UZMANĪBU: Pirms darbarīka regulēšanas vai apkopes vienmēr pārliecinieties, ka darbarīks ir izslēgts un akumulatora kasetne ir izņemta.

Finierzāga asmens uzstādīšana vai noņemšana

UZMANĪBU: Vienmēr notīriet skaidas vai netīrumus, kas piekērušies finierzāga asmenim un/vai tā turētājam. Ja asmeni nenotīra, tas var kļūt vaļņgs un smagi savainot cilvēkus.

UZMANĪBU: Nepieskarieties finierzāga asmenim vai apstrādātajam materiālam tūlīt pēc apstrādes. Tie var būt ļoti karsti un apdedzināt ādu.

UZMANĪBU: Vienmēr stingri nostipriniet finierzāga asmeni. Asmens nepietiekamas pievilksanas dēļ asmens var salūzt vai smagi traumēt kādu cilvēku.

UZMANĪBU: Izmantojiet tikai B veida finierzāga asmeņus. Citu veidu asmeņus nevarēs pietiekami cieši pievilkt, tāpēc var smagi traumēt kādu cilvēku.

UZMANĪBU: Izņemot finierzāga asmeni, uzmanieties, lai nesavainotu pirkstus ar asmens augsņpusi vai apstrādātā priekšmeta malām.

Pirms finierzāga asmens uzstādīšanas vienmēr pārlicinieties, vai asmens skavas svira ir atbrīvota pozīcijā.

Lai uzstādītu finierzāga asmeni, ievietojiet asmeni (ar zobiem uz priekšu) asmens turētājā. Svira pārvietojas fiksētā pozīcijā, un asmens ir nofiksēts. Pārlicinieties, vai asmens aizmugurējā mala ir ievietota rullītī. Viegli pavelciet asmeni, lai pārbaudītu, vai tas ekspluatācijas laikā nenokriņis.

► **Att.6:** 1. Finierzāga asmens turētājs 2. Atbrīvota pozīcija 3. Fiksētā pozīcija

► **Att.7:** 1. Finierzāga asmens turētājs 2. Finierzāga asmens

UZMANĪBU: Ja svira pati nepārvietojas fiksētajā pozīcijā, asmens nav pilnībā ievietots. Nespiediet sviru fiksētajā pozīcijā ar roku. Tas var sabojāt darbarīku.

Lai noņemtu finierzāga asmeni, bīdīet sviru līdz galam uz priekšu. Tādējādi asmeni var atbrīvot.

► **Att.8:** 1. Finierzāga asmens turētājs 2. Finierzāga asmens

PIEZĪME: Regulāri eļļojiet veltnīti.

Sešstūru uzgriežņu atslēgas uzglabāšana

► **Att.9:** 1. Āķis 2. Sešstūru uzgriežņu atslēga

Kad sešstūru uzgriežņu atslēga netiek lietota, uzglabājiet to, kā parādīts zīmējumā, lai to nepazaudētu.

Vispirms atverē ievietojiet sešstūru atslēgu. Pēc tam iebīdīet to āķī, līdz fiksējas.

EKSPLUATĀCIJA

UZMANĪBU: Pamatni vienmēr turiet cieši pie apstrādājamā materiāla. Ja netur cieši, asmens var salūzt un radīt smagu traumu.

UZMANĪBU: Zāģējot izliekumus vai spirāles, darbarīku virziet ļoti lēni. Spiežot darbarīku, zāģējuma virsma var kļūt slīpa, bet finierzāga asmens — salūzt.

► **Att.10:** 1. Griešanas līnija 2. Pamatne

Darbarīku ieslēdziet tā, lai finierzāga asmens ne ar ko nesaskartos, un nogaidiet, līdz asmens sasniedz pilnu ātrumu. Tad pamatni vienmērīgi atbalstiet uz apstrādājamā materiāla un uzmanīgi virziet darbarīku pa iepriekš iezīmētu zāģēšanas līniju.

Slīpā zāģēšana

UZMANĪBU: Pirms pamatnes noliekšanas vienmēr pārbaudiet, vai darbarīks ir izslēgts un akumulatora kasetne ir izņemta.

Kad pamatne sasvērta, iespējams veikt slīpu griezumu jebkurā leņķī starp 0° un 45° (pa kreisi vai pa labi).

► **Att.11**

Ar sešstūru uzgriežņu atslēgu atlaidiet skrūvi pamatnes aizmugurē. Pamatni pārbīdīet tā, lai skrūve atrastos pamatnes krustveida šķēluma vidū.

► **Att.12:** 1. Sešstūru uzgriežņu atslēga 2. Skrūve 3. Pamatne

Pamatni sasveriet līdz vēlamajam leņķim. Motora korpasa malā ir atzīmētas slīpā leņķa iedaļas. Tad pavelciet skrūvi, lai nostiprinātu pamatni.

► **Att.13:** 1. Mala 2. Iedaļas

Priekšdaļas zāģējumi

► **Att.14:** 1. Sešstūru uzgriežņu atslēga 2. Skrūve 3. Pamatne

Ar sešstūru uzgriežņu atslēgu atlaidiet skrūvi pamatnes aizmugurē un pārbīdīet pamatni līdz galam atpakaļ. Tad pavelciet skrūvi, lai nostiprinātu pamatni.

Izgriezumi

Izgriezumus var veikt ar paņēmienu "Sākuma urbums" vai "Iegremdēšanas griezumus".

Sākuma urbums

► **Att.15**

Lai zāģētu materiāla vidū bez ievada zāģējuma no malas, iepriekš izurbiet sākuma urbumu vismaz 12 mm diametrā. Finierzāga asmeni ievietojiet šajā atverē, lai sāktu zāģēt.

Garenzāģēšanas griezumus

► Att.16

Sākuma urbums vai ievada zāģējums nav nepieciešams tad, ja rīkosities šādi.

1. Darbarīku sasveriet augšup uz pamatnes priekšējās malas, finierzāģa asmens galam atrodoties tieši virs apstrādājamā materiāla virsmas.
2. Darbarīku piespiediet tā, lai pamatnes priekšējā mala nekustētos, darbarīku ieslēdzot, tad lēni un uzmanīgi nolaidiet darbarīka aizmuguri.
3. Finierzāģa asmenim iegriežoties apstrādājamajā materiālā, lēni nolaidiet darbarīka pamatni uz materiāla virsmas.
4. Zāģējiet kā parasti.

Malu apstrāde

► Att.17

Lai nolīdzinātu malas vai pielāgotu kontūras, finierzāģa asmeni viegli pārlaidiet gar zāģējuma malām.

Metāla zāģēšana

Zāģējot metālu, vienmēr izmantojiet piemērotu dzesēšanas šķidrums (zāģēšanas eļļu). Ja to neizmanto, finierzāģa asmens var nozīmīgi nolietoties. Dzesēšanas šķidruma lietošanas vietā var ieziest apstrādājamā materiāla apakšējo malu.

Putekļu savākšana

Papildpiederumi

Zāģēšanas laikā neveidosies putekļi, ja šo darbarīku pievienosit Makita putekļu sūcējam.

Putekļu aizsarga uzstādīšana vai noņemšana

Uzstādi putekļu aizsargu, kā redzams attēlā.

► Att.18: 1. Putekļu aizsargs

Lai noņemtu putekļu aizsargu, piespiediet vienu aizsarga pusi un noņemiet to, kā redzams attēlā.

► Att.19: 1. Putekļu aizsargs

Putekļsūcēja uzgaļa uzstādīšana vai noņemšana

Ievietojiet putekļsūcēja uzgali līdz galam darbarīkā.

► Att.20: 1. Putekļsūcēja uzgali

Lai noņemtu putekļsūcēja uzgali, velciet to ārā, vienlaicīgi spiežot pogu uz putekļsūcēja uzgaļa.

► Att.21: 1. Poga 2. Putekļsūcēja uzgali

Darbarīka pievienošana putekļu sūcējam

Pie putekļsūcēja uzgaļa pievienojiet putekļu sūcēja šļūteni.

► Att.22

Garenzāģēšanas ierobežotājs

Papildu piederumi

▲UZMANĪBU: Pirms papildpiederumu uzstādīšanas vai noņemšanas vienmēr pārbaudiet, vai darbarīks ir izslēgts un akumulatora kasetne ir izņemta.

Taisni zāģējumi

Atkārtoti zāģējot līdz 160 mm platumā, izmantojiet garenzāģēšanas ierobežotāju, lai griezumus būtu ātrs, tīrs un taisns.

► Att.23: 1. Garenzāģēšanas ierobežotājs (vadotnes lineāls)

Lai uzstādītu, zāģējuma vadotni ar leju vērstu vadotnes barjeru ievietojiet taisnstūra atverē pamatnes sānos. Zāģējuma vadotni iebīdiēt līdz vēlamajam zāģēšanas platuma stāvoklim, tad pievelciet skrūvi, lai nostiprinātu.

► Att.24: 1. Sešstūru uzgriežņu atslēga 2. Skrūve 3. Garenzāģēšanas vadotne 4. Garenzāģēšanas ierobežotājs (vadotnes lineāls)

Apļveida griezumai

Zāģējot aplus vai lokus ar rādiusu līdz 170 mm, zāģējuma vadotni uzstādi šādi.

► Att.25: 1. Garenzāģēšanas ierobežotājs (vadotnes lineāls)

1. Zāģējuma vadotni ar augšup vērstu vadotnes barjeru ievietojiet taisnstūra atverē pamatnes sānos.
2. Cirkulārās zāģēšanas vaditapu ievietojiet vienā no divām vadotnes barjeras atverēm. Lai vaditapu nostiprinātu, vītņoto rokturi uzskrūvējiet uz vaditapas.
- Att.26: 1. Vītņotais rokturis 2. Garenzāģēšanas vadotne 3. Garenzāģēšanas ierobežotājs (vadotnes lineāls) 4. Tapa

3. Zāģējuma vadotni bīdiēt līdz vēlamajam zāģēšanas rādiusam un pievelciet skrūvi, lai to nostiprinātu. Tad pamatni pārbīdiēt līdz galam uz priekšu.

PIEZĪME: Zāģējot aplus vai līknes, vienmēr izmantojiet finierzāģa asmeņus Nr. B-17, B-18, B-26 vai B-27.

Pretskabargu ierīce

Papildpiederumi

▲UZMANĪBU: Pretskabargu ierīci nevar izmantot, veicot slīpu zāģēšanu.

► Att.27: 1. Pamatne 2. Pretskabargu ierīce

Lai zāģētu bez skabargām, varat izmantot pretskabargu ierīci. Lai šo ierīci uzstādītu, pārbīdiēt pamatni līdz galam uz priekšu un ievietojiet ierīci no darbarīka pamatnes aizmugures. Izmantojot pārsega plāksni, uzstādi pretskabargu ierīci uz pārsega plāksnes.

Pārsega plāksne

Papildpiederumi

► **Att.28:** 1. Pārsega plāksne 2. Pamatne

Izmantojiet pārsega plāksni, griežot dekoratīvos finierus, plastmasu u. c. Tā aizsargās trauslas virsmas pret bojājumiem. Uzstādi to darbarīka pamatnes aizmugurē.

Vadslīdes pārejas komplekts

Papildpiederumi

Veicot paralēlu un viena platuma vai taisnu zāģēšanu, virzošās slīdes un vadslīdes pārejas izmantošana nodrošinās ātru un tīru griezumu veidošanu. Lai uzstādītu vadslīdes pāreju, ievietojiet lineāla stieni pamatnes četrstūra atverē līdz galam. Ar sešstūra atslēgu stingri pievelciet skrūvi.

► **Att.29:** 1. Sešstūra uzgriežņu atslēga 2. Lineāla stienis

Ievietojiet lineāla stieni vadslīdes pārejas četrstūra atverē un cieši pievelciet skrūvi. Novietojiet vadslīdes pāreju uz virzošās slīdes.

► **Att.30:** 1. Vadslīdes pāreja 2. Virzošā slīde 3. Skrūve

IEVĒRĪBAI: Izmantojot virzošo slīdi un vadslīdes pāreju, vienmēr izmantojiet asmeņus Nr. B-8, B-13, B-16, B-17 vai 58.

APKOPE

UZMANĪBU: Pirms darbarīka pārbaudes vai apkopes vienmēr pārlicinieties, ka darbarīks ir izslēgts un akumulatora kasetne ir izņemta.

IEVĒRĪBAI: Nekad neizmantojiet gāzoliņu, benzīnu, atšķaidītāju, spirtu vai līdzīgus šķidrumus. Tas var radīt izbalēšanu, deformāciju vai plaisas.

Lai saglabātu izstrādājuma DROŠU un UZTICAMU darbību, remontdarbus, apkopi un regulēšanu uzticiet veikt tikai Makita pilnvarotam vai rūpnīcas apkopes centram, un vienmēr izmantojiet tikai Makita rezerves daļas.

PAPILDU PIEDERUMI

UZMANĪBU: Šādi piederumi un papildierīces tiek ieteiktas lietošanai ar šajā rokasgrāmatā aprakstīto Makita darbarīku. Izmantojot citus piederumus vai papildierīces, var tikt radīta traumu gūšanas bīstamība. Piederumu vai papildierīci izmantojiet tikai paredzētajam mērķim.

Ja jums vajadzīga palīdzība vai precīzāka informācija par šiem piederumiem, vērsieties savā tuvākajā Makita apkopes centrā.

- Figūrziģa asmeņi
- Sešstūra uzgriežņu atslēga 3
- Garenzāģēšanas ierobežotāja (vadotnes lineāla) komplekts
- Vadslīdes pārejas komplekts
- Pretskabargu ierīce
- Šļūtene (putekļsūcējam)
- Pārsega plāksne
- Putekļsūcēja uzgalis
- Putekļu aizsargs
- Makita oriģinālais akumulators un lādētājs

PIEZĪME: Daži sarakstā norādītie izstrādājumi var būt iekļauti instrumenta komplektācijā kā standarta piederumi. Tie dažādās valstīs var būt atšķirīgi.

SPECIFIKACIJOS

Modelis:	JV103D	
Smūgių ilgis	23 mm	
Smūgių per minutę	800 – 3 000 min ⁻¹	
Geležties tipas	B tipas	
Maks. pjovimo galia	Medis	90 mm
	Mažaanglis plienas	10 mm
	Aliuminis	20 mm
Bendrasis ilgis	237 mm	
Vardinė įtampa	Nuol. sr. 10,8 V – 12 V (daugiausiai)	
Standartinė akumuliatoriaus kasetė	BL1015 / BL1016 / BL1020B / BL1021B / BL1040B / BL1041B	
Grynasis svoris	1,9 – 2,0 kg	

- Atliekame tęstinius tyrimus ir nuolatos tobuliname savo gaminius, todėl čia pateikiamos specifikacijos gali būti keičiamos be įspėjimo.
- Įvairiose šalyse specifikacijos ir akumuliatoriaus kasetė gali skirtis.
- Svoris gali priklausyti nuo priedo (-ų), įskaitant akumuliatoriaus kasetę. Lengviausias ir sunkiausias deriniai pagal EPTA 2014 m. sausio mėn. procedūrą yra parodyti lentelėje.

Numatytoji paskirtis

Šis įrankis skirtas medienai, plastikui ir metalui pjauti. Didelis priedų ir pjūklo geležčių asortimentas šį įrankį leidžia naudoti įvairiems tikslams; jis puikiai tinka lenktiems arba apskritiminiams pjūviams daryti.

Triukšmas

Įprastas triukšmo A lygis, nustatytas pagal EN60745:
 Garso slėgio lygis (L_{pA}): 85 dB (A)
 Garso galios lygis (L_{WA}): 96 dB (A)
 Paklaida (K): 3 dB (A)

ĮSPĖJIMAS: Dėvėkite ausų apsaugą.

Vibracija

Vibracijos bendroji vertė (triašio vektorius suma) nustatyta pagal EN60745 standartą:
 Darbo režimas: lentų pjovimas
 Vibracijos emisija ($a_{h,B}$): 8,5 m/s²
 Paklaida (K): 1,5 m/s²
 Darbo režimas: metalo lakštų pjovimas
 Vibracijos emisija ($a_{h,M}$): 6,0 m/s²
 Paklaida (K): 1,5 m/s²

PASTABA: Paskelbtasis vibracijos emisijos dydis nustatytas pagal standartinį testavimo metodą ir jį galima naudoti vienam įrankiui palyginti su kitu.

PASTABA: Paskelbtasis vibracijos emisijos dydis taip pat gali būti naudojamas preliminarai įvertinti vibracijos poveikį.

ĮSPĖJIMAS: Faktiškai naudojant elektrinį įrankį, keliamos vibracijos dydis gali skirtis nuo paskelbto dydžio, priklausomai nuo būdų, kuriais yra naudojamas šis įrankis.

ĮSPĖJIMAS: Siekdami apsaugoti operatorių, būtina įvertinkite saugos priemones, remdamiesi vibracijos poveikio įvertinimu esant faktinėms naudojimo sąlygoms (atsižvelgdami į visas darbo ciklo dalis, pavyzdžiui, ne tik kiek laiko įrankis veikia, bet ir kiek kartų jis yra išjungiamas bei kai jis veikia be apkrovų).

EB atitikties deklaracija

Tik Europos šalims

EB atitikties deklaracija yra pridama kaip šio instrukcijų vadovo A priedas.

SAUGOS ĮSPĖJIMAI

Bendrieji įspėjimai dirbant elektriniais įrankiais

ĮSPĖJIMAS: Perskaitykite visus saugos įspėjimus, instrukcijas, iliustracijas ir techninius duomenis, pateiktus kartu su šiuo elektriniu įrankiu. Nesilaikant visų toliau išvardytų instrukcijų galima patirti elektros smūgį, gali kilti gaisras ir (arba) galima sunkiai susižaloti.

Išsaugokite visus įspėjimus ir instrukcijas, kad galėtumėte jas peržiūrėti ateityje.

Terminas „elektrinis įrankis“ pateiktuose įspėjimuose reiškia į maitinimo tinklą jungiamą (laidinį) elektrinį įrankį arba akumuliatoriaus maitinamą (belaidį) elektrinį įrankį.

Įspėjimai dėl belaidžio metalo pjkūrelio saugos

1. Atlikdami darbą, kurių metu pjovimo dalys gali paliesti paslėptus laidus, laikykite elektrinį įrankį tik už izoliuotų, laikyti skirtų paviršių. Pjovimo antgaliai prisilietus prie laido, kuriuo teka elektros srovė, neiizoliuotos metalinės elektrinio įrankio dalys gali sukelti elektros smūgį ir nutrenkti operatorių.
2. Ruošinį ant stabilios platformos tvirtinkite spaustuvais arba kitais parankiais būdais. Laikant ruošinį rankomis arba prispaudus prie kūno, jis yra nestabilus, todėl galite prarasti jo kontrolę.
3. Būtinai naudokite apsauginius akinius. Įprastiniai akiniai ar akiniai nuo saulės NĖRA apsauginiai akiniai.
4. Nepjaukite vinių. Prieš dirbdami apžiūrėkite, ar ruošinyje nėra vinių, ir jas išimkite.
5. Nepjaukite didelių matmenų ruošinio.
6. Prieš pjaudami patikrinkite, ar tarpas po ruošiniu yra pakankamas, kad ašmenys nepjautų grindų, darbatalio ir pan.
7. Tvirtai laikykite įrankį.
8. Prieš įjungdami jungiklį, patikrinkite, ar geležtė neliečia ruošinio.
9. Žiūrėkite, kad rankos būtų kuo toliau nuo judamųjų dalių.
10. Nepalikite veikiančio įrankio. Įjungtas įrankis turi būti laikomas rankose.
11. Prieš išimdami geležtę iš ruošinio, visada išjunkite įrankį ir palaukite, kol geležtė visiškai sustos.
12. Nelieskite peilio arba ruošinio iškart po naudojimo; jie gali būti itin karšti ir nudeginti odą.
13. Be reikalo nenaudokite įrankio be apkrovos.
14. Kai kuriose medžiagose yra chemikalų, kurie gali būti nuodingi. Saugokitės, kad neįkvėptumėte dulkių ir nesiliestumėte oda. Vadovaukitės medžiagų tiekėjo saugos duomenimis.
15. Atsižvelgdami į apdirbamą medžiagą ir darbo pobūdį, būtinai užsidėkite apsaugos nuo dulkių kaukę / respiratorių.

SAUGOKITE ŠIAS INSTRUKCIJAS.

▲PERSPĖJIMAS: NELEISKITE, kad patogumas ir gaminio pažinimas (įgyjamas pakartotinai naudojant) susilpnintų griežtą saugos taisyklių, taikytinų šiam gaminiui, laikymąsi. Dėl NETINKAMO NAUDOJIMO arba saugos taisyklių, kurios pateiktos šioje instrukcijoje, nesilaikymo galima rimtai susižeisti.

Svarbios saugos instrukcijos, taikomos akumulatoriaus kasetei

1. Prieš naudodami akumulatoriaus kasetę, perskaitykite visas instrukcijas ir perspėjimus ant (1) akumuliatorių įkroviklio, (2) akumuliatorių ir (3) akumuliatorių naudojančio gaminio.
2. Neardykite akumulatoriaus kasetės.

3. Jei įrankio darbo laikas žymiai sutrumpėjo, nedelsdami nutraukite darbą su įrankiu. Tai gali kelti perkaitimo, nudegimų ar net sprogdimo pavojų.
4. Jei elektrolitas pateko į akis, plaukite jas tyru vandeniu ir nedelsdami kreipkitės į gydytoją. Gali kilti regėjimo praradimo pavojus.
5. Neužtrumpinkite akumulatoriaus kasetės:
 - (1) Nelieskite kontaktų degiomis medžiagomis.
 - (2) Venkite laikyti akumulatoriaus kasetę kartu su kitais metaliniais daiktai, pavyzdžiui, vinimis, monetomis ir pan.
 - (3) Saugokite akumulatoriaus kasetę nuo vandens ir lietaus.Trumpasis jungimas akumuliatoriuje gali sukelti stiprią srovę, perkaitimą, galimus nudegimus ar net akumulatoriaus gedimą.
6. Nelaikykite įrankio ir akumulatoriaus kasetės vietoje, kur temperatūra gali pasiekti ar viršyti 50 °C.
7. Nedeginkite akumulatoriaus kasetės, net jei yra stipriai pažeista ar visiškai susidėvėjusi. Ugnys akumulatoriaus kasetę gali sprogti.
8. Saugokite akumuliatorių nuo kritimo ir smūgių.
9. Nenaudokite pažeisto akumuliatoriaus.
10. Įdėtoms ličio jonų akumuliatoriams taikomi Pavojingų prekių teisės akto reikalavimai. Komeracinis transportas, pvz., trečiųjų šalių, prekių vežimo atstovų, turi laikyti specialaus reikalavimo ant pakuotės ir ženklavimo. Norėdami paruošti siųstiną prekę, pasitarkite su pavojingų medžiagų specialistu. Be to, laikykites galimai išsamesnių nacionalinių reglamentų. Užklijuokite juosta arba padenkite atvirus kontaktus ir supakuokite akumuliatorių taip, kad ji pakuotėje nejudėtų.
11. Vadovaukitės vietos įstatymais dėl akumuliatorių išmetimo.

SAUGOKITE ŠIAS INSTRUKCIJAS.

▲PERSPĖJIMAS: Naudokite tik originalų „Makita“ akumuliatorių. Neoriginalaus „Makita“ arba pakeisto akumulatoriaus naudojimas gali nulemti gaisrą, asmens sužalojimą ir pažeidimą. Tai taip pat panaikina „Makita“ suteikiamą „Makita“ įrankio ir įkroviklio garantiją.

Patarimai, ką daryti, kad akumuliatorius veiktų kuo ilgiau

1. Pakraukite akumulatoriaus kasetę prieš tai visiškai išsikraunant. Visuomet nustokite naudoti įrankį ir pakraukite akumulatoriaus kasetę, kai pastebite, kad įrankio galia sumažėjo.
2. Niekada nekraukite iki galo įkrautos akumulatoriaus kasetės. Perkraunant trumpėja akumulatoriaus eksploatacijos laikas.
3. Akumulatoriaus kasetę kraukite esant kambario temperatūrai 10 - 40 °C. Prieš pradėdami krauti, leiskite įkaitusiai akumulatoriaus kasetei atvėsti.

VEIKIMO APRAŠYMAS

▲PERSPĖJIMAS: Prieš pradėdami reguliuoti arba tikrinti įrankio veikimą, visuomet būtinai išjunkite įrankį ir išimkite akumulatoriaus kasetę.

Akumulatoriaus kasetės uždėjimas ir nuėmimas

▲PERSPĖJIMAS: Prieš įdėdami arba išimdami akumulatoriaus kasetę, visada išjunkite įrankį.

▲PERSPĖJIMAS: Įdėdami arba išimdami akumulatoriaus kasetę, tvirtai laikykite įrankį ir akumulatoriaus kasetę. Jeigu įrankį ir akumulatoriaus kasetę laikysite netvirtai, jie gali išslysti iš jūsų rankų, todėl įrankis ir akumulatoriaus kasetė gali būti sugadinti, o naudotojas sužalotas.

► **Pav.1:** 1. Raudonas indikatorius 2. Mygtukas 3. Akumulatoriaus kasetė

Jei norite išimti akumulatoriaus kasetę, ištraukite ją iš įrankio, stumdami mygtuką, esantį kasetės priekyje.

Jei norite įdėti akumulatoriaus kasetę, sulygiuokite liežuvelį ant akumulatoriaus kasetės su grioveliu korpusė ir įstumkite į jai skirtą vietą. Įdėkite iki galo, kol spragtelėdama užsikims. Jeigu matote raudoną indikatorių viršutinėje mygtuko pusėje, ji nėra visiškai užfiksuota.

▲PERSPĖJIMAS: Akumulatoriaus kasetę visada įkiškite iki galo, kol nebematysite raudono indikatoriaus. Priešingu atveju ji gali atsitinkinti ir kristi iš įrankio, sužeisti jus arba aplinkinius.

▲PERSPĖJIMAS: Nekiškite akumulatoriaus kasetės jėga. Jeigu kasetė sunkiai lenda, ją kišate netinkamai.

Įrankio / akumulatoriaus apsaugos sistema

Įrankyje įrengta įrankio / akumulatoriaus apsaugos sistema. Ši sistema automatiškai atjungia variklio maitinimą, kad įrankis ir akumulatorius ilgiau veiktų. Įrankis automatiškai išsijungs darbo metu esant vienai iš toliau nurodytų įrankio arba akumulatoriaus darbo sąlygų:

Apsauga nuo perkrovos

Akumulatorių naudojant taip, kad susidaro neįprastai aukšta srovė, nepateikiant jokios indikacijos, įrankis automatiškai sustabdomas. Tokiu atveju išjunkite įrankį ir nutraukite darbą, dėl kurio įrankis buvo perkrautas. Tada įjunkite įrankį, kad jis būtų paleistas iš naujo.

Apsauga nuo perkaitimo

Kai įrankis ar akumulatorius perkaista, jis automatiškai išsijungia ir pradeda mirksėti lemputė. Esant šiai situacijai, leiskite įrankiui ir akumulatoriui atvėsti, prieš vėl jungdami įrankį.

Apsauga nuo visiško išseikvojimo

Kai akumulatoriaus galios nepakanka, įrankis automatiškai išsijungia. Įjungus įrankį, variklis pradeda veikti, bet netrukus vėl išsijungia. Tokiu atveju ištraukite akumulatorių iš įrankio ir jį įkraukite.

Likusios akumulatoriaus galios rodymas

Tik akumulatoriaus kasetėms su indikatoriumi

► **Pav.2:** 1. Indikatorių lemputės 2. Tikrinimo mygtukas

Paspauskite akumulatoriaus kasetės tikrinimo mygtuką, kad būtų rodoma likusi akumulatoriaus energija. Maždaug trims sekundėms užsidegs indikatorių lemputės.

Indikatorių lemputės		Likusi galia
Šviečia	Nešviečia	
■ ■ ■ ■	□	75% - 100%
■ ■ ■ □	□	50% - 75%
■ ■ □ □	□	25% - 50%
■ □ □ □	□	0% - 25%

PASTABA: Rodmuo gali šiek tiek skirtis nuo faktinės energijos lygio – tai priklauso nuo naudojimo sąlygų ir aplinkos temperatūros.

Pjovimo režimo parinkimas

► **Pav.3:** 1. Pjovimo režimo perjungimo svirtelė

Šis įrankis gali veikti švytuoklinio arba tiesiaieigio (aukštyn / žemyn) pjovimo režimu. Kai nustatytas švytuoklinis režimas, pjovimo takto metu siaurapjūkliai geležtė stumiami į priekį, todėl labai padidėja pjovimo greitis.

Norėdami pakeisti pjovimo režimą, tiesiog pasukite pjovimo režimo perjungimo svirtelę į reikiamo režimo padėtį. Toliau pateikta lentelė padės pasirinkti tinkamą pjovimo režimą.

Padėtis	Pjovimo režimas	Paskirtis
0	Tiesiaieigio pjovimo režimas	Skirtas mažangliam plienui, nerūdijančiajam plienui ir plastikui pjauti. Skirtas medienai ir fanerai švariai pjauti.
I	Mažos amplitudės švytuoklinio pjovimo režimas	Skirtas mažangliam plienui, aliuminiui ir kietajai medienai pjauti.
II	Vidutinės amplitudės švytuoklinio pjovimo režimas	Skirtas medienai ir fanerai pjauti. Skirtas aliuminiui ir mažangliam plienui sparčiai pjauti.
III	Didelės amplitudės švytuoklinio pjovimo režimas	Skirtas medienai ir fanerai sparčiai pjauti.

Jungiklio veikimas

Norėdami įjungti įrankį, paspauskite užfiksavimo / atfiksavimo mygtuką. Prietaisas pereina į laukimo režimą. Norėdami įjungti įrankį, paspauskite gaiduką budėjimo režimu. Norėdami įrankį išjungti, atleiskite gaiduką. Prietaisas pereina į laukimo režimą. Norėdami išjungti prietaisą, paspauskite užrakinimo/atrakinimo mygtuką prietaisui veikiant laukimo režimu. Norint, kad įrankis veiktų be perstojo, reikia patraukti gaiduką budėjimo režimu ir paspausti užfiksavimo mygtuką. Jei norite sustabdyti įrankį, patraukite gaiduką iki galo ir paskui jį atleiskite.

- **Pav.4:** 1. Užfiksavimo / atlaisvinimo mygtukas
2. Užfiksavimo mygtukas 3. Gaidukas

PASTABA: Jeigu prietaisui veikiant parengties režimui 10 sekundžių neatliekamas joks veiksmas, jis automatiškai išjungiamas ir lemputė užgesa.

PASTABA: Kai įrankis veikia, užfiksavimo / atfiksavimo mygtukas neprieinamas.

Priekinės lemputės uždegimas

▲PERSPĖJIMAS: Nežiūrėkite tiesiai į šviesą arba šviesos šaltinį.

Norėdami įjungti lempą, paspauskite užfiksavimo / atlaisvinimo jungiklį. Norėdami įjungti lemputę, paspauskite užfiksavimo / atlaisvinimo jungiklį dar kartą.

PASTABA: Jeigu prietaisas perkaista, pradeda žybcioti lemputė. Palaukite, kol prietaisas visiškai atvės, o paskui vėl tęskite darbą.

PASTABA: Purvą nuo lempos objektyvo nuvalykite sausu skudurėliu. Būkite atsargūs, kad nesubraižytumėte lempos objektyvo, nes pablogės apšvietimas.

Greičio reguliavimo ratukas

- **Pav.5:** 1. Greičio reguliavimo ratukas

Įrankio greitį galima reguliuoti sukant greičio reguliavimo ratuką. Nustačius ties „5“, greitis bus didžiausias, o ties „1“ – mažiausias.

Kaip išrinkti reikiamą ruošinio pjovimo greitį, žr. lentelėje. Tačiau tinkamas greitis gali priklausyti nuo ruošinio tipo ir storio. Jeigu greitis didesnis, ruošinys pjaunamas greičiau, tačiau taip sutrumpėja pjovimo disko naudojimo laikas.

Ruošinys	Skaičius
Mediena	4–5
Mažaanglis plienas	3–5
Nerūdijantis plienas	3–4
Aliuminis	3–5
Plastikas	1–4

PASTABA: Keisdami greitį nuo „5“ iki „1“, sukite ratuką prieš laikrodžio rodyklę. Nesukite rankenėlės pagal laikrodžio rodyklę per jėgą.

Prietaise yra elektroninė funkcija paprastam naudojimui.

- Švelnus paleidimas
Švelnaus paleidimo funkcija iki minimumo sumažina paleidimo smūgį ir leidžia sklandžiai paleisti prietaisą.
- Švelnus sukimasis be apkrovos
Norėdami sumažinti vibraciją ir paprastai išlygiuoti siaurapjūklio asmenis pagal pjovimo liniją, automatiškai mažiname sukimosi greitį, kol įrankis pradeda pjauti ruošinį (kai greičio reguliavimo ratukas nustatytas ties „2“ ar daugiau). Pradėjus pjauti ruošinį, įrankio greitis pasiekia nustatytą greitį ir jį palaiko tol, kol įrankis sustabdomas.

PASTABA: Esant žemai temperatūrai, ši funkcija gali būti nepasiekiamas.

Švelnaus sukimosi be apkrovos išjungimas

Norėdami išjungti švelnaus sukimosi be apkrovos funkciją, atlikite toliau nurodytus veiksmus.

1. Patikrinkite, ar įrankis išjungtas.
2. Greičio reguliavimo ratuką nustatykite ties „1“.
3. Norėdami įjungti įrankį, paspauskite užfiksavimo / atfiksavimo mygtuką.
4. Pasukdami greičio reguliavimo ratuką, parinkite nuostatą „5“, tada sukdami ratuką atgal, nustatykite ties „1“.

Lemputė sumirksi dukart, parodydama, kad švelnaus sukimosi be apkrovos funkcija išjungta. Norėdami vėl įjungti šią funkciją, dar kartą atlikite tą pačią procedūrą.

PASTABA: Jei švelnaus sukimosi be apkrovos funkcija išjungta, kai įrankis įjungiamas, lemputė sumirksi dukart.

PASTABA: Švelnaus sukimosi be apkrovos funkciją taip pat įjungti ir išjungti galite pakeisdami greičio reguliavimo ratuko nuostatą iš „5“ į „1“ ir atvirkščiai.

SURINKIMAS

▲PERSPĖJIMAS: Prieš darydami ką nors įrankiui visada patikrinkite, ar įrenginys išjungtas, o akumuliatorių kasetė – nuimta.

Siaurapjūklų geležties įdėjimas arba išėmimas

▲PERSPĖJIMAS: Visada nuvalykite pjuvenas arba kitas medžiagas, prikibusias prie siaurapjūklio geležties ir (arba) jos laikiklio. Jei nenuvalysite, geležtė gali būti per silpnai įtvirtinta, todėl galite sunkiai susižaloti.

▲PERSPĖJIMAS: Nelleskite siaurapjūklio geležtės arba ruošinio ką tik baigę pjauti. Jie gali būti labai įkaitę ir nudeginti odą.

▲PERSPĖJIMAS: Visada patikimai įtvirtinkite siaurapjūklio geležtę. Jei geležtė per silpnai priveržta, ji gali lūžti arba sunkiai sužaloti.

▲PERSPĖJIMAS: Naudokite tik B tipo siaurapjūklių geležtes. Naudojant ne B tipo siaurapjūklių geležtes, jų neįmanoma tinkamai priveržti, todėl kyla pavojus sunkiai susižaloti.

▲PERSPĖJIMAS: Siaurapjūklio ašmenis išimkite atsargiai, kad į jų viršutinę dalį arba pjovinio kraštus nesusižeistumėte pirštų.

Prieš montuodami siaurapjūklio ašmenis, patikrinkite, ar ašmenų veržtuvo svirtis yra atlaisvinta.

Norėdami sumontuoti siaurapjūklio ašmenis, kiškite ašmenis (dantukais pirmyn) į jų laikiklį, kol užsifiksuos. Svirtis pajuda į fiksavimo padėtį ir užfiksuoja ašmenis. Patikrinkite, ar galinis ašmenų kraštas gerai uždėtas ant velenėlio. Šiek tiek patraukite už pjūklų, patikrindami, ar jis darbo metu nenukris.

► **Pav.6:** 1. Siaurapjūklio geležtės laikiklis
2. Atlaisvinimo padėtis 3. Fiksavimo padėtis

► **Pav.7:** 1. Siaurapjūklio ašmenų laikiklis
2. Siaurapjūklio ašmenys

▲PERSPĖJIMAS: Jeigu svirtis į fiksavimo padėtį nepajuda, ašmenys sumontuoti nevisiškai. Nespauskite svirties ranka, norėdami nustatyti ją į fiksavimo padėtį. Taip galite sugadinti įrankį.

Norėdami siaurapjūklio ašmenis išimti, pastumkite svirtį iki pat galo. Tuomet ašmenys bus atlaisvinti.

► **Pav.8:** 1. Siaurapjūklio ašmenų laikiklis
2. Siaurapjūklio ašmenys

PASTABA: Ritinėlį retkarčiais suteptkite.

Šešiabriaunio rakto laikymas

► **Pav.9:** 1. Kablys 2. Šešiabriaunis raktas

Nenaudojamą šešiabriaunį raktą laikykite taip, kaip parodyta paveikslėlyje, kad nepamestumėte. Pirmiausiai įkiškite šešiakampį raktą į skylę. Paskui stumkite jį į kilpą, kol jis bus užfiksuotas.

NAUDOJIMAS

▲PERSPĖJIMAS: Pagrindą visada laikykite lygiai priglaustą prie ruošinio. Kitaip siaurapjūklio geležtė gali lūžti ir sunkiai sužaloti.

▲PERSPĖJIMAS: Darydami lenktus arba įvėjus pjūvius, įrankį stumkite labai lėtai. Jei įrankį stumsite per didele jėga, paviršius gali būti nelygiai nupjautas, o siaurapjūklio geležtė – lūžti.

► **Pav.10:** 1. Pjovimo linija 2. Pagrindas

Įjunkite įrankį – siaurapjūklio geležtė turi neliesti ruošinio – ir palaukite, kol jis pradės veikti visu greičiu. Tada lygiai padėkite pagrindą ant ruošinio ir atsargiai stumkite įrankį į priekį, išilgai iš anksto pažymėtos pjovimo linijos.

Įstrižųjų pjūvių darymas

▲PERSPĖJIMAS: Prieš pakreipdami pagrindą, visada patikrinkite, ar įrankis išjungtas, o akumuliatoriaus kasėtė išimta.

Pakreipus pagrindą, galima daryti bet kokio posvyrio – nuo 0° iki 45° (į kairę arba dešinę) – įstrižuosius pjūvius.

► **Pav.11**

Šešiabriaunio raktu atlaisvinkite varžtą, esantį priešingoje pagrindo pusėje. Pastumkite pagrindą taip, kad varžtas atsidurtų kryžiaus formos angos, esančios pagrindo centre.

► **Pav.12:** 1. Šešiabriaunis raktas 2. Varžtas
3. Pagrindas

Pakreipkite pagrindą reikiamu kampu. Padalos ant variklio korpuso krašto nurodo pakreipimo kampą. Tada priveržkite varžtą, kad įtvirtintumėte pagrindą.

► **Pav.13:** 1. Kraštas 2. Padalos

Tiesūs pjūviai iš priekio

► **Pav.14:** 1. Šešiabriaunis raktas 2. Varžtas
3. Pagrindas

Šešiabriaunio raktu atlaisvinkite varžtą, esantį priešingoje pagrindo pusėje, ir iki galo atitraukite pagrindą. Tada priveržkite varžtą, kad įtvirtintumėte pagrindą.

Išpjovos

Išpjovas galima daryti dviem būdais: išgręžus pradinę skylę arba įleidžiamuoju pjovimu.

Pradinės skylės išgręžimas

► **Pav.15**

Jei norite padaryti vidinę išpjovą be pradinės pjovos iš krašto, reikia iš anksto išgręžti pradinę 12 mm arba didesnio skersmens skylę. Įkiškite siaurapjūklio geležtę į šią skylę ir pradėkite pjauti.

Įleidžiamasis pjovimas

► Pav.16

Jei tiksliai atliksite toliau nurodytus veiksmus, nereikės gręžti pradinės skylės arba daryti pradinės įpjovos.

1. Atrėmę priekiniu pagrindo kraštu, pakreipkite įrankį į viršų taip, kad siaurapjūklio geležtės galiukas būtų šiek tiek virš ruošinio paviršiaus.
2. Spauskite įrankį tiek, kad priekinis pagrindo kraštas nepajudėtų, kai įjungsite įrankį ir lėtai nuleisite jo galą.
3. Kai siaurapjūklis geležtė įpjaus ruošinį, lėtai nuleiskite įrankio pagrindą ant ruošinio paviršiaus.
4. Pjūvį baikite įprastu būdu.

Kraštų apdaila

► Pav.17

Norėdami apipjauti kraštus arba pakoreguoti matmenis, siaurapjūklis geležtę švelniai stumkite palei pjūvio kraštą.

Metalo pjovimas

Pjaudami metalą, visada naudokite tinkamą aušinimo priemonę (pjovimo alyvą). Kitaip siaurapjūklis geležtė dėvėsis gerokai sparčiau. Sutepus ruošinio apačią, aušinimo priemonės nereikia.

Pjuvenų nusiurbimas

Pasirenkamasis priedas

Prijungus šį įrankį prie „Makita“ vakuuminio valymo įrenginio, pjovimo darbus galima atlikti švariau.

Dangtelio nuo dulkių uždėjimas ir nuėmimas

Įtaisykite dangtelį nuo dulkių, kaip parodyta paveikslėlyje.

► Pav.18: 1. Dangtelis nuo dulkių

Norėdami nuimti dangtelį nuo dulkių, paspauskite vieną dangtelio pusę, tada jį nuimkite, kaip parodyta paveikslėlyje.

► Pav.19: 1. Dangtelis nuo dulkių

Dulkių ištraukimo antgalio uždėjimas ir nuėmimas

Iki galo įkiškite dulkių ištraukimo antgalį į įrankį.

► Pav.20: 1. Dulkių ištraukimo antgalis

Norėdami nuimti dulkių ištraukimo antgalį, spausdami mygtuką ant dulkių ištraukimo antgalio, ištraukite dulkių ištraukimo antgalį.

► Pav.21: 1. Mygtukas 2. Dulkių ištraukimo antgalis

Įrankio prijungimas prie vakuuminio valymo įrenginio

Prijunkite vakuuminį valymo įrenginį prie dulkių ištraukimo antgalio.

► Pav.22

Pjovimo kreipiklis

Pasirenkamasis priedas

▲PERSPĖJIMAS: Prieš montuodami arba nuimdami priedus, visada patikrinkite, ar įrankis yra išjungtas, o akumuliatoriaus kasetė išimta.

Tiesūs pjūviai

Jei reikalingi keli pjūviai 160 mm arba mažesniu atstumu nuo krašto, naudokite pjovimo kreipiklį, kuris leidžia pjauti greitai, švariai ir tiesiai.

► Pav.23: 1. Pjovimo kreipiklis (kreipiamoji liniuotė)

Jei norite įtaisyti pjovimo kreipiklį, įkiškite jį į stačiakampę angą pagrindo šone, laikydami kreipiamąją plokštelę nukreiptą žemyn. Pastumkite pjovimo kreipiklį iki reikiamo pjovimo pločio padėties, tada priveržkite jį varžtu.

► Pav.24: 1. Šešiabriaunis raktas 2. Varžtas
3. Kreipiamoji plokštelė 4. Pjovimo kreipiklis (kreipiamoji liniuotė)

Apskritiminiai pjūviai

Kai pjaunate apskritimu arba lanku, kurio spindulys 170 mm arba mažesnis, pjovimo kreipiklį įtaisykite toliau nurodytu būdu.

► Pav.25: 1. Pjovimo kreipiklis (kreipiamoji liniuotė)

1. Įkiškite pjovimo kreipiklį į stačiakampę angą pagrindo šone, laikydami kreipiamąją plokštelę nukreiptą aukštyn.

2. Per vieną iš dviejų angų, esančių kreipiamąjoje plokštelėje, perkiškite apskritiminio pjūvio kreipiklį. Prisukite rankenėlę su sriegiu prie smeigės, kad ją įtvirtintumėte.

► Pav.26: 1. Rankenėlė su sriegiu 2. Kreipiamoji plokštelė 3. Pjovimo kreipiklis (kreipiamoji liniuotė) 4. Smeigė

3. Pastumkite pjovimo kreipiklį iki reikiamo pjovimo spindulio padėties, tada priveržkite jį varžtu. Paskui nustumkite pagrindą iki galo į priekį.

PASTABA: Darydami apskritiminius arba lanko formos pjūvius, visada naudokite siaurapjūklių geležtės Nr. B-17, B-18, B-26 arba B-27.

Nuo skilimo saugantis įtaisas

Pasirenkamasis priedas

▲PERSPĖJIMAS: Nuo skilimo saugančio įtaiso negalima naudoti darant įstrižuosius pjūvius.

► Pav.27: 1. Pagrindas 2. Nuo skilimo saugantis įtaisas

Norint atlikti tolygius pjūvius, galima naudoti nuo skilimo saugantį įtaisą. Jeigu norite įtaisyti nuo skilimo saugantį įtaisą, įrenginio pagrindą iki galo pastumkite į priekį ir įtaisą montuokite iš įrenginio pagrindo galo.

Kai naudojate dengiamąją plokštę, nuo skilimo saugantį įtaisą montuokite ant dengiamosios plokštės.

Pasirenkamasis priedas

► **Pav.28:** 1. Dengiamoji plokštė 2. Pagrindas

Dengiamąją plokštę naudokite pjaudami dekoratyvinę apdailą, plastmasę ir kt. Ji apsaugo jautrius ar dailius paviršius nuo pažeidimo. Ją montuokite ant įrankio pagrindo priešingos pusės.

Kreipiamosios juostos adapterio komplektas

Pasirenkamasis priedas

Jeigu darote lygiagrečius ir vienodo pločio ar tiesius pjūvius ir naudojate kreiptuvu arba kreipiamosios juostos adapteriu, pjausite greitai ir švariai. Jeigu norite įtaisyti kreipiamosios juostos adapterį, liniuotę kuo giliau įkiškite į keturkampę angą pagrinde. Su šešiabriauniu veržliarakčiu tvirtai priveržkite varžtą.

► **Pav.29:** 1. Šešiakampis veržliaraktis 2. Liniuotė

Į kreipiamosios juostos adapterio keturkampę angą įkiškite liniuotę. Ant kreiptuvo įtaisykite kreipiamosios juostos adapterį.

► **Pav.30:** 1. Kreipiamosios juostos adapteris
2. Kreiptuvas 3. Varžtas

PASTABA: Jeigu naudojate kreiptuvu ir kreipiamosios juostos adapteriu, įtaisykite tokių numerių ašmenis: B-8, B-13, B-16, B-17 arba 58.

TECHNINĖ PRIEŽIŪRA

▲PERSPĖJIMAS: Visuomet įsitikinkite, ar įrankis yra išjungtas ir akumulatoriaus kasetė yra nuimta prieš atlikdami apžiūrą ir priežiūrą.

PASTABA: Niekada nenaudokite gazolino, benzino, tirpiklio, spirito arba panašių medžiagų. Gali atsirasti išblukimų, deformacijų arba įtrūkimų.

Kad gaminys būtų SAUGUS ir PATIKIMAS, jį taisyti, apžiūrėti ar vykdyti bet kokią kitą priežiūrą ar derinimą turi įgaliotasis kompanijos „Makita“ techninės priežiūros centras; reikia naudoti tik kompanijos „Makita“ pagamintas atsargines dalis.

▲PERSPĖJIMAS: Šiuos papildomus priedus arba įtaisus rekomenduojama naudoti su šioje instrukcijoje nurodytu „Makita“ bendrovės įrankiu. Naudojant bet kokius kitus papildomus priedus arba įtaisus, gali kilti pavojus sužeisti žmones. Naudokite tik nurodytam tikslui skirtus papildomus priedus arba įtaisus.

Jeigu norite daugiau sužinoti apie tuos priedus, kreipkitės į artimiausią „Makita“ techninės priežiūros centrą.

- Siaurapjūklis ašmenys
- Šešiakampis veržliaraktis Nr. 3
- Kreiptuvo (kreipiamoji liniuotė) komplektas
- Kreipiamosios juostos adapterio komplektas
- Nuo skilimo saugantis įtaisas
- Žarna (dulkių siurbliui)
- Dengiamoji plokštė
- Dulkių ištraukimo antgalis
- Dangtelis nuo dulkių
- Originalus „Makita“ akumulatorius ir įkroviklis

PASTABA: Kai kurie sąrašes esantys priedai gali būti pateikti įrankio pakuotėje kaip standartiniai priedai. Jie įvairiose šalyse gali skirtis.

TEHNILISED ANDMED

Mudel:	JV103D	
Käigu pikkus	23 mm	
Käikude arv minutis	800–3 000 min ⁻¹	
Lehe tüüp	B-tüüp	
Max löikevõimekus	Puit	90 mm
	Karastamata teras	10 mm
	Alumiinium	20 mm
Üldpikkus	237 mm	
Nimipinge	Alalisvool 10,8 V - 12 V max	
Standardne akukassett	BL1015 / BL1016 / BL1020B / BL1021B / BL1040B / BL1041B	
Netokaal	1,9–2,0 kg	

- Meie pideva uuringu- ja arendusprogrammi tõttu võidakse tehnilisi andmeid muuta ilma sellest ette teatamata.
- Tehnilised andmed ja akukassett võivad riigiti erineda.
- Kaal võib erineda olenevalt lisaseadistest, kaasa arvatud akukassetist. Kergeim ja raskeim kombinatsioon EPTA-protseduuri 01/2014 kohaselt on toodud tabelis.

Kavandatud kasutus

Tööriist on ette nähtud puit-, plast- ja metallmaterjalide saagimiseks. Tarvikute ja saelehtede laia valiku tõttu saab tööriista kasutada paljudel eesmärkidel ning see sobib väga hästi profiil- või ümarlõikamiseks.

Müra

Tüüpiline A-korrigeeritud müratase, määratud standardi EN60745 kohaselt:
 Helirõhutase (L_{pA}): 85 dB (A)
 Helivõimsuse tase (L_{WA}): 96 dB (A)
 Määramatus (K): 3 dB (A)

▲HOIATUS: Kasutage kõrvakaitsmeid.

Vibratsioon

Vibratsiooni koguväärtus (kolmeteljeliste vektorite summa) määratud standardi EN60745 kohaselt:
 Töörežiim: laudade saagimine
 Vibratsiooni emissioon ($a_{h,B}$): 8,5 m/s²
 Määramatus (K): 1,5 m/s²
 Töörežiim: lehtmatali lõikamine
 Vibratsioon ($a_{h,M}$): 6,0 m/s²
 Määramatus (K): 1,5 m/s²

MÄRKUS: Deklareeritud vibratsiooniheite väärtus on mõõdetud kooskõlas standardse testimiseetodiga ning seda võib kasutada ühe seadme võrdlemiseks teisega.

MÄRKUS: Deklareeritud vibratsiooniheite väärtust võib kasutada ka mürataseme esmaseks hindamiseks.

▲HOIATUS: Vibratsioonitase võib elektritööriista tegelikkuses kasutamise ajal erineda deklareeritud väärtusest olenevalt tööriista kasutamise viisidest.

▲HOIATUS: Rakendage operaatori kaitsmiseks kindlasti piisavaid ohutusabinõusid, mis põhinevad hinnangulisel müratasemel tegelikus tööolukorras (võttes arvesse tööperioodi kõiki osasid, nagu näiteks korrad, kui seade lülitatakse välja ja seade töötab tühikäigul, lisaks tööajale).

EÜ vastavusdeklaratsioon

Ainult Euroopa riikide puhul

EÜ vastavusdeklaratsioon sisaldub käesoleva juhendi Lisas A.

OHUTUSHOIATUSED

Üldised elektritööriistade ohutushoiatused

▲HOIATUS: Lugege läbi kõik selle elektritööriistaga kaasas olevad ohutushoiatused, juhised, joonised ja tehnilised andmed. Järgnevate juhiste eiramine võib põhjustada elektrilöögi, süttimise ja/või raske kehavigastuse.

Hoidke edaspidisteks viide-
teks alles kõik hoiatused ja
juhtnõbrid.

Hoiatuses kasutatud termini „elektritööriist“ all peetakse silmas elektriga töötavaid (juhtmega) elektritööriistu või akuga töötavaid (juhtmeta) elektritööriistu.

Juhtmeta tikksae ohutusnõud

1. Hoidke elektritööriista löikamise ajal isoleeritud käepidemest, kui löikeriist võib kokku puutuda peidetud juhtmetega. Voolu all oleva juhtmega kokkupuutesse sattunud löiketera võib pingestada elektritööriista metalloosi ning põhjustada kasutajale elektrilöögi.
2. Kasutage klambreid või mõnda muud sobivat viisi töödeldava detaili kinnitamiseks ja toetamiseks stabiilsele alusele. Töödeldava detaili hoidmisel käega või vastu keha on detail ebastabiilses asendis ning võib põhjustada kontrolli kaotust.
3. Kasutage alati kaitseprille või ohutusprille. Tavalised prillid või päikesepriidid EI OLE kaitseprillid.
4. Vältige naeltesse sisselöikamist. Kontrollige, kas töödeldavas detailis on naelu. Eemaldage need enne töö alustamist.
5. Ärge löigake ülemõodulist detaili.
6. Enne löikamist kontrollige sobiva eraldamisvahemiku olemasolu töödeldava detaili ja toetuspinna vahel nii, et löiketera ei tabaks põrandat, tööpinki jne.
7. Hoidke tööriistast kindlalt kinni.
8. Veenduge, et lihvketas ei puutuks enne tööriista sisselülitamist vastu töödeldavat detaili.
9. Hoidke käed liikuvatest osadest eemal.
10. Ärge jätke tööriista käima. Käivitage tööriist ainult siis, kui hoiate seda käes.
11. Enne löiketera eemaldamist töödeldavast detailist lülitage tööriist alati vooluvõrgust välja ja oodake, kuni löiketera on lõplikult seisunud.
12. Ärge puudutage saelehte ega töödeldavat detaili vahetult pärast tööoperatsiooni, sest need võivad olla äärmiselt kuumad ja põletada nahka.
13. Ärge käitage tööriista tarbetult koormamata olekus.
14. Mõned materjalid võivad sisaldada mürgiseid aineid. Võtke meetmed tolmu sissehingamise ja nahaga kokkupuute vältimiseks. Järgige materjali tarnija ohustusteavet.
15. Kasutage alati õiget tolumaski/respiraatorit, mis vastab materjalile ja rakendusele, millega töötate.

HOIDKE JUHEND ALLES.

⚠HOIATUS: ÄRGE UNUSTAGE järgida toote ohutusnõudeid mugavuse või toote (korduskasutamise saavutatud) hea tundmise tõttu. VALE KASUTUS või kasutusjuhendi ohutuseeskirjade eiramine võib põhjustada tervisekahjustusi.

Akukassetiga seotud olulised ohutusjuhised

1. Enne akukasseti kasutamist lugege (1) akulaadija, (2) aku ja (3) seadmel olevad juhtnõidid ja hoiatused läbi.
2. Ärge võtke akukassetti lahti.

3. Kui tööaeg järealt lüheneb, siis lõpetage kohe kasutamine. Edasise kasutamise tulemuseks võib olla ülekuumenemisoht, võimalikud põletused või isegi plahvatus.
4. Kui elektrolüüti satub silma, siis loputage silma puhta veega ja pöörduge koheselt arsti poole. Selline õnnetus võib põhjustada pimedaksjäämist.
5. Ärge tekitage akukassetti lühist:
 - (1) Ärge puutuge klemme elektrijuhtidega.
 - (2) Ärge hoidke akukassetti tööriistakastis koos metallsemetega, nagu naelad, mündid jne.
 - (3) Ärge tehke akukassetti märjaks ega jätke seda vihma kätte.Aku lühis võib põhjustada tugevat elektri-voolu, ülekuumenemisoht, põletusi ning ka seadet tõsiselt kahjustada.
6. Ärge hoidke tööriista ja akukassetti kohtades, kus temperatuur võib tõusta üle 50 °C.
7. Ärge põletage akukassetti isegi siis, kui see on saanud tõsiselt vigastada või on täiesti kuldunud. Akukassett võib tules plahvatada.
8. Olge ettevaatlik, ärge laske akul maha kukkuda ja vältige lööke.
9. Ärge kasutage kahjustatud akut.
10. Sisalduvatele liitium-ioonakudele võivad kohalduda ohtlike kaupade õigusaktide nõuded.

Kaubanduslikul transportimisel, näiteks kolmandate poolte või transportiettevõtete poolt, tuleb järgida pakendil ja siltidel toodud erinõudeid. Transportimiseks ettevalmistamisel on vajalik pidada nõu ohtliku materjali eksperdigaga. Samuti tuleb järgida võimalike riiklike regulatsioonide üksikasjalikumaid nõudeid.

Katke teibiga või varjake avatud kontaktid ja pakendage aku selliselt, et see ei saaks pakendis liikuda.
11. Järgige kasutuskõlmatuks muutunud aku käitlemisel kohalikke eeskirju.

HOIDKE JUHEND ALLES.

⚠ETTEVAATUST: Kasutage ainult Makita originaalakusid. Mitte Makita originaalakude või muudetud akude kasutamine võib põhjustada akude süttimise, kehavigastuse ja kahjustuse. Samuti muudab see kehtetuks Makita tööriista ja laadija Makita garantii.

Vihjeid aku maksimaalse kasutusaja tagamise kohta

1. Laadige akukassetti enne selle täielikku tühjenemist. Kui märkate, et tööriist töötab väiksema võimsusega, peatage töö ja laadige akukassetti.
2. Ärge laadige täielikult laetud akukassetti. Ülelaadimine lühendab akude kasutusiga.
3. Laadige akukassetti toatemperatuuril 10 °C - 40 °C. Enne laadimist laske kuumenenud akukassetil maha jahtuda.

FUNKSIONAALNE KIRJELDUS

⚠ETTEVAATUST: Kandke alati hoolt selle eest, et tööriist oleks enne reguleerimist ja kontrollimist välja lülitatud ja akukassett eemaldatud.

Akukasseti paigaldamine või eemaldamine

⚠ETTEVAATUST: Lülitage tööriist alati enne akukasseti paigaldamist või eemaldamist välja.

⚠ETTEVAATUST: Akukasseti paigaldamisel või eemaldamisel tuleb tööriista ja akukassetti kindlalt paigal hoida. Kui tööriista ja akukassetti ei hoita kindlalt paigal, võivad need käest libiseda ning kahjustada tööriista ja akukassetti või põhjustada kehavigastusi.

► **Joon.1:** 1. Punane näidik 2. Nupp 3. Akukassett

Akukasseti eemaldamiseks libistage see tööriista küljest lahti, vajutades kassetti esiküljel paiknevat nuppu alla.

Akukasseti paigaldamiseks joondage akukasseti keel korpuse soonega ja libistage kassett oma kohale. Paigaldage akuadapter alati nii kaugele, et see lukustus klõpsatusega oma kohale. Kui näete nupu ülaosas punast osa, pole kassett täielikult lukustunud.

⚠ETTEVAATUST: Paigaldage akukassett alati täies ulatuses nii, et punast osa ei jääks näha. Muidu võib adapter juhuslikult tööriistast välja kukkuda ning põhjustada teile või läheduses viibivatele isikutele vigastusi.

⚠ETTEVAATUST: Ärge rakendage akukasseti paigaldamisel jõudu. Kui kassett ei lähe kergesti sisse, pole see õigesti paigaldatud.

Tööriista/aku kaitsesüsteem

Tööriist on varustatud tööriista või aku kaitsesüsteemiga. Süsteem lülitab mootori automaatselt välja, et pikendada tööriista ja aku tööiga. Tööriist seiskub käitamise ajal automaatselt, kui tööriista või aku kohta kehtib üks järgmistest tingimustest.

Ülekoormuskaitse

Kui akut kasutatakse viisil, mis nõuab akust tavatult palju voolu, seiskub tööriist ilma mingi näiduta. Sellises olukorras lülitage tööriist välja ja lõpetage tegevus, mis põhjustas tööriista ülekoormuse. Seejärel lülitage tööriist taaskäivitamiseks uuesti sisse.

Ülekuumenemiskaitse

Kui tööriist või aku on ülekuumenenud, peatub tööriist automaatselt ja lamp vilgub. Sellisel juhul laske tööriistal ja akul maha jahtuda, enne kui tööriista uuesti sisse lülitate.

Ülelaadimiskaitse

Kui aku jääkmahutavusest ei piisa, seiskub tööriist automaatselt. Tööriista sisse lülitades hakkab mootor tööle, kuid seiskub peatselt. Sellisel juhul eemaldage akukassett tööriistalt ja laadige aku.

Aku jääkmahutavuse näit

Ainult näidikuga akukassettidele

► **Joon.2:** 1. Märgulambid 2. Kontrollimise nupp

Akukasseti järelejäanud mahutavuse kontrollimiseks vajutage kontrollimise nuppu. Märgulambid süttivad mõneks sekundiks.

Märgulambid		Jääkmahutavus
Pöleb	Ei põle	
■ ■ ■ ■	□	75–100%
■ ■ ■ □	□	50–75%
■ ■ □ □	□ □	25–50%
■ □ □ □	□ □ □ □	0–25%

MÄRKUS: Näidatud mahutavus võib veidi erineda tegelikust mahutavusest olenevalt kasutustingimustest ja ümbritseva keskkonna temperatuurist.

Lõikeviisi valimine

► **Joon.3:** 1. Lõikemeetodi muutmise hoo

Seda tööriista saab kasutada ringja või sirgjoonelise (üles ja alla) lõikeviisiga. Ringja lõikemeetodi puhul tõugatakse tikksae leht saagimisel ette, suurendades oluliselt lõikekiirust.

Seadke lõikeviisi muutmiseks lõikeviisi muutmise hoo lihtsalt soovitud lõikeviisi asendisse. Juhinduge sobiva lõikeviisi valimisel tabelist toodud teabest.

Asend	Lõikemeetod	Rakendused
0	Otsesuunas lõikamine	Karastamata terase, roostevaba terase ja plastide lõikamiseks. Puidu ja vineeri puhaslõikamiseks.
I	Väikese orbiidiga lõikemeetod	Karastamata terase, aluminiumi ja lehtpuidu lõikamiseks.
II	Keskmise orbiidiga lõikemeetod	Puidu ja vineeri lõikamiseks. Alumiiniumi ja karastamata terase kiireks lõikamiseks.
III	Suure orbiidiga lõikemeetod	Puidu ja vineeri kiireks lõikamiseks.

Lüliti sisselülitamine

Tööriista sisselülitamiseks vajutage lukustus-/avamisnuppu. Tööriist lülitub ooterežiimi. Ooterežiimi lülitunud tööriista käivitamiseks tõmmake lüliti päästikut. Tööriista seiskamiseks vabastage lüliti päästik. Tööriist lülitub ooterežiimi. Tööriista väljalülitamiseks vajutage ooterežiimis lukustus-/avamisnuppu. Pidevkäitamiseks tõmmake ooterežiimi lülitunud tööriista lüliti päästikut ja vajutage seejärel lukustusnuppu sisse. Tööriista seiskamiseks tõmmake lüliti päästik täielikult tagasi ja seejärel vabastage see.

► **Joon.4:** 1. Lukustus-/avamisnupp 2. Lukustusnupp 3. Lüliti päästik

MÄRKUS: Kui ooterežiimis oleva tööriistaga 10 sekundi jooksul ühtegi toimingut ei tehta, siis lülitub tööriist automaatselt välja ja lamp kustub.

MÄRKUS: Lukustus-/avamisnupp ei ole tööriista käitamisel kasutatav.

Eesmise lambi süütamine

⚠ETTEVAATUST: Ärge vaadake otse valgusesse ega valgusallikat.

Lambi sisselülitamiseks vajutage lukustus-/avamisnuppu. Lambi väljalülitamiseks vajutage lukustus-/avamisnuppu uuesti.

TÄHELEPANU: Kui tööriist üle kuumeneb, siis hakkab tuli vilkuma. Laske tööriistal enne uuesti kasutamist täielikult maha jahtuda.

MÄRKUS: Pühkige lamp kuiva lapiga puhtaks. Olge seda tehes ettevaatlik, et lambi läätse mitte kriimustada, sest muidu võib valgustus väheneda.

Kiirusregulaator

► **Joon.5:** 1. Kiirusregulaator

Tööriista kiirust saab reguleerida kiirusregulaatorit keerates. Suurima kiiruse tagab säte 5 ja väikseima kiiruse säte 1.

Juhinduge töödeldava detaili jaoks sobiva kiiruse valimisel tabelis antud teabest. Sobiv kiirus võib siiski varieeruda olenevalt töödeldava detaili tüübist ja pakusest. Tavaliselt võimaldab suurem kiirus küll lõigata töödeldavat detaili kiiremini, ent samas lüheneb sel juhul kasutatava saelehe kasutusiga.

Töödeldav detail	Number
Puit	4–5
Karastamata teras	3–5
Roostevaba teras	3–4
Alumiinium	3–5
Plast	1–4

TÄHELEPANU: Muutes kiirusregulaatorit asendist „5” asendisse „1”, pöörake regulaatorit vastupäeva. Ärge pöörake regulaatorit jõuga päripäeva.

Elektrooniline funktsioon

Tööriist on varustatud lihtsama kasutamise jaoks elektrooniliste funktsioonidega.

- **Sujuvkäivitus**
Sujuvkäivituse funktsioon minimeerib käivitamise tagasilööki ja võimaldab tööriistal sujuvalt käivituda.
- **Koormuseta sujuvpöörlemine**
Kui kiirusregulaator on seadistatud sättele 2 või kõrgemale sättele, vähendab tööriist vibratsiooni minimeerimiseks ja tikksae lehe lõikejoonega hõlpsalt joondamiseks automaatselt pöörlemiskiirust, kuni tööriistaga alustatakse töödeldava detaili lõikamist. Kui tööriistaga on alustatud töödeldava detaili lõikamist, tõuseb tööriista kiirus eelseadistatud kiiruseni, mida hoitakse tööriista seiskumiseni.

MÄRKUS: Madala temperatuuri korral ei pruugi see funktsioon kasutatav olla.

Koormuseta sujuvpöörlemise funktsiooni inaktiveerimine

Toimige koormuseta sujuvpöörlemise funktsiooni inaktiveerimiseks alljärgnevalt.

1. Veenduge, et tööriist oleks välja lülitatud.
2. Seadistage kiirusregulaator sättele „1”.
3. Vajutage tööriista sisselülitamiseks lukustus-/avamisnuppu.
4. Keerake kiirusregulaatorit ja seadistage see sättele „5”. Seejärel keerake see tagasi sättele „1”.

Tuli vilgub kaks korda, mis osutab sellele, et koormuseta sujuvpöörlemise funktsioon on inaktiveeritud. Järgige koormuseta sujuvpöörlemise funktsiooni uuesti aktiveerimiseks ülaltoodud suuniseid.

MÄRKUS: Kui koormuseta sujuvpöörlemise funktsioon on inaktiveeritud, vilgub tuli tööriista sisselülitamisel kaks korda.

MÄRKUS: Lisaks võite koormuseta sujuvpöörlemise funktsiooni inaktiveerimiseks või aktiveerimiseks keerata kiirusregulaatorit sättelt „5” sättele „1” ning sättelt „1” sättele „5”.

KOKKUPANEK

⚠ETTEVAATUST: Kandke alati hoolt selle eest, et tööriist oleks enne igasuguseid hooldustöid välja lülitatud ja akukassett eemaldatud.

Tikkksae lehe paigaldamine või eemaldamine

▲ETTEVAATUST: Puhastage tikksae leht ja/ või saelehe hoidja alati kõikidest külge jäänud laastudest ja võõrkehadedest. Selle nõude eiramise tagajärjeks võib olla saelehe ebapiisav pingutamine, mis võib põhjustada tõsisemaid vigastusi.

▲ETTEVAATUST: Ärge puudutage tikksae lehte ega töödeldavat detaili vahetult pärast töö tegemist. Need võivad olla väga kuumad ja põletada teie nahka.

▲ETTEVAATUST: Kinnitage tikksae leht alati kindlalt. Lehe ebapiisav kinnitamine võib põhjustada lehe purunemise ja raskeid kehavigastusi.

▲ETTEVAATUST: Kasutage B-tüüpi tikksae lehti. Muude kui B-tüüpi saelehtede kasutamisel ei pingutata saelehte piisavalt, mis võib põhjustada tõsisemaid vigastusi.

▲ETTEVAATUST: Olge tikksae lehe eemaldamisel ettevaatlik, et mitte vigastada sõrmi saelehe otsa või töödeldava detaili teravate servadega.

Enne tikksae lehe paigaldamist veenduge, et terak-lambri hoob oleks avatud asendis.

Tikkksae lehe paigaldamiseks tuleb saeleht sisestada saelehe hoidikusse nii, et saehambad oleksid suunatud ette. Hoob liigub fikseeritud asendisse ja saeleht lukustatakse. Kontrollige, kas saelehe tagumine serv fikseerus rullikusse. Tõmmake kergelt saelehte kindlustamaks, et see ei tule töö ajal lahti.

► **Joon.6:** 1. Tikksae lehe hoidja 2. Avatud asend 3. Fikseeritud asend

► **Joon.7:** 1. Tikksae lehe hoidik 2. Tikksae leht

▲ETTEVAATUST: Kui hoob ei liigu fikseeritud asendisse, ei ole saeleht täielikult sisestatud. Ärge suruge hooba käega fikseeritud asendisse. See võib tööriista kahjustada.

Tikkksae lehe eemaldamiseks lükake hoob võimalikult ette. See võimaldab saelehe vabastada.

► **Joon.8:** 1. Tikksae lehe hoidik 2. Tikksae leht

MÄRKUS: Määrige rullikut vahetevahel.

Kuuskantvõtme hoiolepanek

► **Joon.9:** 1. Konks 2. Kuuskantvõti

Kui kuuskantvõtit ei kasutata, siis pange see joonisel näidatud viisil hoiele, et vältida selle ära kadumist. Kõigepealt sisestage kuuskantvõti avasse. Seejärel lükake seda, kuni see lukustub.

TÖÖRIISTA KASUTAMINE

▲ETTEVAATUST: Tald peab alati toetuma töödeldavale detailile. Muidu võib tikksae leht puruneda ja põhjustada tõsise vigastuse.

▲ETTEVAATUST: Juhtige tööriista kaarjaid või ringlõikeid tehes edasi väga aeglaselt. Tööriista jõuga edasi sundimise tagajärjel võib lõikepind olla kaldus ning tikksae leht puruneda.

► **Joon.10:** 1. Lõikejoon 2. Alus

Lülitage tööriist sisse, ilma et tikksae leht töödeldava detaili vastu puutuks, ja oodake, kuni saeleht saavutab täiskiiruse. Seejärel toetage tööriista alus töödeldavale detailile ja liigutage tööriista piki ettemärgitud lõikejoont ettepoole.

Kaldlõikamine

▲ETTEVAATUST: Enne aluse kallutamist peab tööriist olema kindlalt välja lülitatud ja akukasett kere küljest eemaldatud.

Saate kaldu seatud tallaga teha kaldlõikeid iga nurga all vahemikus 0° kuni 45° (vasak või parem).

► **Joon.11**

Keerake talla all olevat polti kuuskantvõtmega lahti-poolle. Liigutage talda selliselt, et polt asuks tallas oleva ristkülikulise ava keskel.

► **Joon.12:** 1. Kuuskantvõti 2. Polt 3. Alus

Kallutage alus soovitud kaldenurga alla. Mootorikorpuse serv näitab kaldenurka astmete kaupa. Seejärel pingutage aluse kinnitamiseks polti.

► **Joon.13:** 1. Serv 2. Mõõteskaala

Tasalõiked talla esiservaga

► **Joon.14:** 1. Kuuskantvõti 2. Polt 3. Alus

Keerake kuuskantvõtmega talla all olevat polti lahti-poolle ja libistage tald võimalikult taha. Seejärel pingutage aluse kinnitamiseks polti.

Väljalõiked

Väljalõikeid saab teha kas meetodil „lähteava puurimine“ või „sukelduslõikamine“.

Lähteava puurimine

► **Joon.15**

Puurige enne 12 mm või suurema diameetriga lähteava selliste seesmistele väljalõigete jaoks, mille puhul te ei tee servast algavat sisseviivat lõiget. Sisestage tikksae leht lõikamise alustamiseks sellesse avasse.

Sukelduslõikamine

► **Joon.16**

Lähteava ei ole vaja puurida ega sisseviivat lõiget teha, kui toimite ettevaatlikult järgmiselt.

1. Kallutage tööriist üles talla eesmisele servale selliselt, et tikksae lehe tipp paikneks parajasti töödeldava detaili pinna kohal.

2. Suruge tööriista sellisel, et talle esiserv ei liiguks, kui tööriista sisse lülitate, ja laske tööriista tagumine ots aeglaselt allapoole.

3. Kui tikksae leht tungib töödeldavas detaili, laske tööriista tald aeglaselt alla töödeldava detaili pinnale.

4. Lõpetage lõikamine tavalisel viisil.

Servade viimistlemine

► **Joon.17**

Liigutage tikksae lehte servade viimistlemiseks või mõõtmete parandamiseks kergelt piki lõigatud servasid.

Metalli lõikamine

Kasutage metalli lõikamisel alati sobivat jahutusainet (metallitöötlusõli). Selle nõude eiramise tagajärjel kulub tikksae leht oluliselt rohkem. Jahutusvedeliku kasutamise asemel võib määrada töödeldava detaili alumist poolt.

Tolmu eemaldamine

Lisatarvik

Saagimist saab teha puhtamalt, kui ühendate antud seadme Makita tolmuimejaga.

Tolmukatte paigaldamine ja eemaldamine

Paigaldage tolmukate joonisel näidatud viisil.

► **Joon.18:** 1. Tolmukate

Vajutage tolmukatte eemaldamiseks kätte ühele servale ja seejärel eemaldage see joonisel näidatud viisil.

► **Joon.19:** 1. Tolmukate

Tolmuotsiku paigaldamine ja eemaldamine

Sisestage tolmuotsik täielikult tööriista.

► **Joon.20:** 1. Tolmuotsik

Tolmuotsiku eemaldamiseks tõmmake see välja, vajutades samal ajal tolmuotsikule olevat nuppu.

► **Joon.21:** 1. Nupp 2. Tolmuotsik

Tööriista ühendamine tolmuimejaga

Ühendage tolmuimeja voolik tolmuotsikuga.

► **Joon.22**

Piire

Valikuline tarvik

⚠ETTEVAATUST: Enne tarvikute lisamist või eemaldamist peab tööriist olema kindlasti välja lülitatud ja akukassett kere küljest eemaldatud.

Sirged lõiked

Pidevalt 160 mm või väiksemaid laiusi lõigates tagab lõikejuhtjoonlause kasutamine lõikamisel kiire, puhta ja sirge tulemuse.

► **Joon.23:** 1. Piire (juhtjoonlaud)

Sisestage lõikejuhtjoonlaud paigaldamiseks talle küljel olevasse riskülikukujulisel avasse sellisel, et juhtjoonlause juhik oleks suunatud alla. Libistage lõikejuhtjoonlaud soovitud lõikelaiuse asendisse ning pingutage selle kinnitamiseks seejärel polti.

► **Joon.24:** 1. Kuuskantvõti 2. Polt 3. Piirdejuhik
4. Piire (juhtjoonlaud)

Ringikujulised lõiked

Paigaldage lõikejuhtjoonlaud järgmiselt, kui lõikate 170 mm või väiksema raadiusega ringe või kaari.

► **Joon.25:** 1. Piire (juhtjoonlaud)

1. Sisestage lõikejuhtjoonlaud talle küljel olevasse riskülikukujulisel avasse sellisel, et juhtjoonlause juhik oleks suunatud üles.

2. Sisestage ümar juhiktiivt läbi ühe juhtjoonlause juhikus olevast kahest avast. Keerake tiivti kinnitamisest tiivtile keermesnupp.

► **Joon.26:** 1. Keermesnupp 2. Piirdejuhik 3. Piire (juhtjoonlaud) 4. Sõrm

3. Libistage lõikejuhtjoonlaud soovitud lõikeraadiusele ja pingutage polti selle kohale kinnitamiseks. Liigutage tald seejärel võimalikult ette.

MÄRKUS: Kasutage ringe või kaari lõigates alati tikksae lehti nr B-17, B-18, B-26 või B-27.

Pinnuliseks muutmise vastane seadis

Lisatarvik

⚠ETTEVAATUST: Pinnuliseks muutmise vastast seadist ei saa kasutada kaldlõigete tegemisel.

► **Joon.27:** 1. Alus 2. Pinnuliseks muutmise vastane seadis

Pindudeta lõigete saamiseks võib kasutada pindudevastast seadet. Pinnuliseks muutmise vastase seadise paigaldamiseks liigutage tööriista tald võimalikult ette ja sobitage see kohale tööriista talla alt.

Katteplaati kasutades paigaldage pinnuliseks muutmise vastane seadis katteplaadile.

Katteplaati

Lisatarvik

► **Joon.28:** 1. Katteplaati 2. Alus

Dekoratiivse spooni, plasti jms lõikamiseks kasutage katteplaati. See kaitseb õrnu pindu kahjustuste eest. Asetage see tööriista talla alla.

Juhtpiirde adapteri komplekt

Lisatarvik

Paralleelselt ja ühtlase laiusega lõigete korral või sirgelt lõikamisel tagab juhtpiirde ning juhtpiirde adapteri kasutamine kiired ja laitmatud lõiked. Toimige juhtpiirde adapteri paigaldamiseks järgmiselt: sisestage joonlaud võimalikult sügavale alusel olevasse nelinurksesse avasse. Fikseerige polt kuuskantvõtme abil korralikult.

► **Joon.29:** 1. Kuuskantvõti 2. Joonlaud

Sisestage juhtlaud juhtpiirde adapteri nelinurksesse avasse ja fikseerige kruvi korralikult. Pange juhtpiirde adapter juhtpiirdele.

► **Joon.30:** 1. Juhtpiirde adapter 2. Juhtpiire 3. Kruvi

TÄHELEPANU: Juhtpiirde ja juhtpiirde adapteri kasutamisel tuleb alati kasutada saelehte, mille number on B-8, B-13, B-16, B-17 või 58.

HOOLDUS

⚠ETTEVAATUST: Enne kontroll- või hooldustoimingute tegemist kandke alati hoolt selle eest, et tööriist oleks välja lülitatud ja akukassett korpuse küljest eemaldatud.

TÄHELEPANU: Ärge kunagi kasutage bensiini, vedeldit, alkoholi ega midagi muud sarnast. Selle tulemuseks võib olla luitumine, deformatsioon või pragunemine.

Toote OHUTUSE ja TÖÖKINDLUSE tagamiseks tuleb vajalikud remonttööd ning muud hooldus- ja reguleerimistööd lasta teha Makita volitatud teeninduskeskustes või tehase teeninduskeskustes. Alati tuleb kasutada Makita varuosi.

VALIKULISED TARVIKUD

⚠ETTEVAATUST: Neid tarvikuid ja lisaseadiseid on soovitatav kasutada koos Makita tööriistaga, mille kasutamist selles kasutusjuhendis kirjeldatakse. Muude tarvikute ja lisaseadiste kasutamisega kaasneb vigastada saamise oht. Kasutage tarvikuid ja lisaseadiseid ainult otstarbekohaselt.

Saate vajaduse korral kohalikust Makita teeninduskeskusest lisateavet nende tarvikute kohta.

- Tikksae lehed
- Kuuskantvõti nr 3
- Lõikejuhtjoonlaua (juhikmõõtlaua) komplekt
- Juhtpiirde adapteri komplekt
- Pinnuliseks muutmise vastane seadis
- Voolik (tolmuimeja jaoks)
- Katteplaat
- Tolmuotsik
- Tolmukate
- Makita algupärane aku ja laadija

MÄRKUS: Mõned nimekirjas loetletud tarvikud võivad kuuluda standardvarustusse ning need on lisatud tööriista pakendisse. Need võivad riigiti erineda.

ТЕХНИЧЕСКИЕ ХАРАКТЕРИСТИКИ

Модель:		JV103D
Длина хода		23 мм
Ходов в минуту		800 - 3 000 мин ⁻¹
Тип пильного полотна		Тип В
Макс. производительность резки	Дерево	90 мм
	Мягкая сталь	10 мм
	Алюминий	20 мм
Общая длина		237 мм
Номинальное напряжение		10,8 - 12 В пост. тока, макс.
Стандартный блок аккумулятора		BL1015 / BL1016 / BL1020B / BL1021B / BL1040B / BL1041B
Масса нетто		1,9 - 2,0 кг

- Благодаря нашей постоянно действующей программе исследований и разработок указанные здесь технические характеристики могут быть изменены без предварительного уведомления.
- Технические характеристики и аккумуляторный блок могут отличаться в зависимости от страны.
- Масса может отличаться в зависимости от дополнительного оборудования. Обратите внимание, что блок аккумулятора также считается дополнительным оборудованием. В таблице представлены комбинации с наибольшим и наименьшим весом в соответствии с процедурой ЕРТА 01/2014.

Назначение

Данный инструмент предназначен для распиливания материалов из древесины, пластмассы и металла. Наличие большого количества дополнительных принадлежностей и пильных дисков позволяет использовать инструмент для различных целей. Он идеально подходит для выполнения изогнутых или круговых вырезов.

Шум

Типичный уровень взвешенного звукового давления (A), измеренный в соответствии с EN60745:
 Уровень звукового давления (L_{рA}): 85 дБ (A)
 Уровень звуковой мощности (L_{WA}): 96 дБ (A)
 Погрешность (K): 3 дБ (A)

⚠ОСТОРОЖНО: Используйте средства защиты слуха.

Вибрация

Суммарное значение вибрации (сумма векторов по трем осям), определенное в соответствии с EN60745:

Рабочий режим: резка панелей
 Распространение вибрации (a_{hB}): 8,5 м/с²

Погрешность (K): 1,5 м/с²

Рабочий режим: резка листового металла

Распространение вибрации (a_{hB}): 6,0 м/с²

Погрешность (K): 1,5 м/с²

ПРИМЕЧАНИЕ: Заявленное значение распространения вибрации измерено в соответствии со стандартной методикой испытаний и может быть использовано для сравнения инструментов.

ПРИМЕЧАНИЕ: Заявленное значение распространения вибрации можно также использовать для предварительных оценок воздействия.

⚠ОСТОРОЖНО: Распространение вибрации во время фактического использования электроинструмента может отличаться от заявленного значения в зависимости от способа применения инструмента.

⚠ОСТОРОЖНО: Обязательно определите меры безопасности для защиты оператора, основанные на оценке воздействия в реальных условиях использования (с учетом всех этапов рабочего цикла, таких как выключение инструмента, работа без нагрузки и включение).

Декларация о соответствии ЕС

Только для европейских стран

Декларация о соответствии ЕС включена в руководство по эксплуатации (Приложение А).

МЕРЫ БЕЗОПАСНОСТИ

Общие рекомендации по технике безопасности для электроинструментов

⚠ ОСТОРОЖНО: Ознакомьтесь со всеми представленными инструкциями по технике безопасности, указаниями, иллюстрациями и техническими характеристиками, прилагаемыми к данному электроинструменту. Несоблюдение каких-либо инструкций, указанных ниже, может привести к поражению электрическим током, пожару и/или серьезной травме.

Сохраните брошюру с инструкциями и рекомендациями для дальнейшего использования.

Термин "электроинструмент" в предупреждениях относится ко всему инструменту, работающему от сети (с проводом) или на аккумуляторах (без провода).

Правила техники безопасности при эксплуатации аккумуляторного лобзика

1. Если при выполнении работ существует риск контакта режущего инструмента со скрытой электропроводкой, держите электроинструмент за специально предназначенные изолированные поверхности. Контакт с проводом под напряжением приведет к тому, что металлические детали инструмента также будут под напряжением. Это может стать причиной поражения оператора электрическим током.
2. Для фиксации разрезаемой детали на устойчивой поверхности используйте зажимы или другие соответствующие приспособления. Никогда не держите распиливаемые детали в руках и не прижимайте их к телу, так как это не обеспечит устойчивого положения детали и может привести к потере контроля над инструментом.
3. Обязательно надевайте защитные очки или защитную маску для лица. Обычные или солнцезащитные очки НЕ ЯВЛЯЮТСЯ защитными очками.
4. Избегайте попадания режущего инструмента на гвозди. Перед пилением осмотрите деталь и убедитесь в отсутствии гвоздей.
5. Не распиливайте детали, превышающие допустимый размер.
6. Убедитесь в наличии свободного пространства за распиливаемой деталью, чтобы полотно не уперлось в пол, верстак и т. п.
7. Крепко держите инструмент.
8. Перед включением переключателя убедитесь в том, что полотно не касается обрабатываемой детали.
9. Руки должны находиться на расстоянии от движущихся деталей.

10. Не оставляйте работающий инструмент без присмотра. Включайте инструмент только тогда, когда он находится в руках.
11. Перед извлечением полотна из детали всегда выключайте инструмент и ждите остановки движения полотна.
12. Не касайтесь полотна или обрабатываемой детали сразу же после работы; они могут быть очень горячими и обжечь кожу.
13. Без необходимости не эксплуатируйте инструмент без нагрузки.
14. Некоторые материалы могут содержать токсичные химические вещества. Примите соответствующие меры предосторожности, чтобы избежать вдыхания или контакта с кожей таких веществ. Соблюдайте требования, указанные в паспорте безопасности материала.
15. Обязательно используйте соответствующую пылезащитную маску/респиратор для защиты дыхательных путей от пыли разрезаемых материалов.

СОХРАНИТЕ ДАННЫЕ ИНСТРУКЦИИ.

⚠ ОСТОРОЖНО: НЕ ДОПУСКАЙТЕ, чтобы удобство или опыт эксплуатации данного устройства (полученный от многократного использования) доминировали над строгим соблюдением правил техники безопасности при обращении с этим устройством. НЕПРАВИЛЬНОЕ ИСПОЛЬЗОВАНИЕ инструмента или несоблюдение правил техники безопасности, указанных в данном руководстве, может привести к тяжелой травме.

Важные правила техники безопасности для работы с аккумуляторным блоком

1. Перед использованием аккумуляторного блока прочитайте все инструкции и предупреждающие надписи на (1) зарядном устройстве, (2) аккумуляторном блоке и (3) инструменте, работающем от аккумуляторного блока.
2. Не разбирайте аккумуляторный блок.
3. Если время работы аккумуляторного блока значительно сократилось, немедленно прекратите работу. В противном случае, может возникнуть перегрев блока, что приведет к ожогам и даже к взрыву.
4. В случае попадания электролита в глаза промойте их обильным количеством чистой воды и немедленно обратитесь к врачу. Это может привести к потере зрения.
5. Не замыкайте контакты аккумуляторного блока между собой:
 - (1) Не прикасайтесь к контактам какими-либо токопроводящими предметами.
 - (2) Не храните аккумуляторный блок в контейнере вместе с другими металлическими предметами, такими как гвозди, монеты и т. п.

(3) Не допускайте попадания на аккумуляторный блок воды или дождя.

Замыкание контактов аккумуляторного блока между собой может привести к возникновению большого тока, перегреву, возможным ожогам и даже поломке блока.

6. Не храните инструмент и аккумуляторный блок в местах, где температура может достигать или превышать 50 °C (122 °F).
7. Не бросайте аккумуляторный блок в огонь, даже если он сильно поврежден или полностью вышел из строя. Аккумуляторный блок может взорваться под действием огня.
8. Не роняйте и не ударяйте аккумуляторный блок.
9. Не используйте поврежденный аккумуляторный блок.
10. **Входящие в комплект литий-ионные аккумуляторы должны эксплуатироваться в соответствии с требованиями законодательства об опасных товарах.**
При коммерческой транспортировке, например, третьей стороной или экспедитором, необходимо нанести на упаковку специальные предупреждения и маркировку.
В процессе подготовки устройства к отправке обязательно проконсультируйтесь со специалистом по опасным материалам. Также соблюдайте местные требования и нормы. Они могут быть строже.
Закройте или закрепите разомкнутые контакты и упакуйте аккумулятор так, чтобы он не перемещался по упаковке.
11. **Выполняйте требования местного законодательства относительно утилизации аккумуляторного блока.**

СОХРАНИТЕ ДАННЫЕ ИНСТРУКЦИИ.

ВНИМАНИЕ: Используйте только фирменные аккумуляторные батареи Makita. Использование аккумуляторных батарей, не произведенных Makita, или батарей, которые были подвергнуты модификациям, может привести к взрыву аккумулятора, пожару, травмам и повреждению имущества. Это также автоматически аннулирует гарантию Makita на инструмент и зарядное устройство Makita.

Советы по обеспечению максимального срока службы аккумулятора

1. Заряжайте блок аккумуляторов перед его полной разрядкой. Обязательно прекратите работу с инструментом и зарядите блок аккумуляторов, если вы заметили снижение мощности инструмента.
2. Никогда не подзаряжайте полностью заряженный блок аккумуляторов. Перезарядка сокращает срок службы аккумулятора.
3. Заряжайте блок аккумуляторов при комнатной температуре в 10 - 40 °C (50 - 104 °F). Перед зарядкой горячего блока аккумулятора дайте ему остыть.

ОПИСАНИЕ РАБОТЫ

ВНИМАНИЕ: Перед регулировкой или проверкой функций инструмента обязательно убедитесь, что он выключен и его аккумуляторный блок снят.

Установка или снятие блока аккумулятора

ВНИМАНИЕ: Обязательно выключайте инструмент перед установкой и извлечением аккумуляторного блока.

ВНИМАНИЕ: При установке и извлечении аккумуляторного блока крепко удерживайте инструмент и аккумуляторный блок. Если не соблюдать это требование, они могут выскользнуть из рук, что приведет к повреждению инструмента, аккумуляторного блока и травмированию оператора.

► **Рис. 1:** 1. Красный индикатор 2. Кнопка 3. Блок аккумулятора

Для снятия аккумуляторного блока нажмите кнопку на лицевой стороне и извлеките блок.

Для установки аккумуляторного блока совместите выступ аккумуляторного блока с пазом в корпусе и задвиньте его на место. Устанавливайте блок до упора так, чтобы он зафиксировался на месте с небольшим щелчком. Если вы можете видеть красный индикатор на верхней части клавиши, адаптер аккумулятора не полностью установлен на месте.

ВНИМАНИЕ: Обязательно устанавливайте аккумуляторный блок до конца, чтобы красный индикатор не был виден. В противном случае аккумуляторный блок может выпасть из инструмента и нанести травму вам или другим людям.

ВНИМАНИЕ: Не прилагайте чрезмерных усилий при установке аккумуляторного блока. Если блок не двигается свободно, значит он вставлен неправильно.

Система защиты инструмента/ аккумулятора

На инструменте предусмотрена система защиты инструмента/аккумулятора. Она автоматически отключает питание двигателя для продления срока службы инструмента и аккумулятора. Инструмент автоматически остановится во время работы в следующих случаях:

Защита от перегрузки

Если из-за способа эксплуатации аккумулятор потребляет очень большое количество тока, он автоматически остановится без включения каких-либо индикаторов. В этом случае выключите инструмент и прекратите работу, повлекшую перегрузку инструмента. Затем включите инструмент для перезапуска.

Защита от перегрева

При перегреве инструмента или аккумулятора инструмент автоматически останавливается, подсветка начинает мигать. В этом случае дайте инструменту/аккумулятору остыть перед повторным включением.

Защита от переразрядки

При истощении емкости аккумулятора инструмент автоматически останавливается. При включении инструмента электродвигатель запускается и вскоре останавливается. В этом случае извлеките аккумулятор из инструмента и зарядите его.

Индикация оставшегося заряда аккумулятора

Только для блоков аккумулятора с индикатором

► **Рис.2:** 1. Индикаторы 2. Кнопка проверки

Нажмите кнопку проверки на аккумуляторном блоке для проверки заряда. Индикаторы загорятся на несколько секунд.

Индикаторы	Уровень заряда
	от 75 до 100%
	от 50 до 75%
	от 25 до 50%
	от 0 до 25%

ПРИМЕЧАНИЕ: В зависимости от условий эксплуатации и температуры окружающего воздуха индикация может незначительно отличаться от фактического значения.

Выбор действия резки

► **Рис.3:** 1. Рычаг переключения резки

Данный инструмент можно использовать для орбитальной или прямолинейной (вверх и вниз) резки. При орбитальной резке полотно ножовочной пилы отжимается вперед, что значительно повышает скорость резания.

Для изменения действия резки, просто поверните рычаг переключения действия в нужное положение. См. таблицу для выбора соответствующего действия резки.

Положение	Действие резки	Применение
0	Прямолинейная резка	Для резки мягкой, нержавеющей стали и пластмассы. Для чистовых резов в дереве и фанере.
I	Резка с небольшим радиусом	Для резки мягкой стали, алюминия и твердого дерева.
II	Резка со средним радиусом	Для резки дерева и фанеры. Для быстрой резки алюминия и мягкой стали.
III	Резка с большим радиусом	Для быстрой резки дерева и фанеры.

Действие выключателя

Чтобы включить инструмент, нажмите кнопку блокировки/разблокировки. Инструмент переходит в режим ожидания. Для включения инструмента нажмите на триггерный переключатель в режиме ожидания. Для выключения инструмента отпустите триггерный переключатель. Инструмент переходит в режим ожидания. Чтобы выключить инструмент, нажмите кнопку блокировки/разблокировки в режиме ожидания.

Для непрерывной работы инструмента нажмите на триггерный переключатель в режиме ожидания, а затем нажмите на кнопку фиксации. Для отключения инструмента нажмите на триггерный переключатель, а затем отпустите его.

► **Рис.4:** 1. Кнопка блокировки/разблокировки 2. Кнопка фиксации 3. Триггерный переключатель

ПРИМЕЧАНИЕ: Если инструмент находится в режиме ожидания более 10 секунд, он автоматически выключится, а лампа погаснет.

ПРИМЕЧАНИЕ: Во время работы инструмента кнопка блокировки/разблокировки недоступна.

Включение передней лампы

ВНИМАНИЕ: Не смотрите непосредственно на свет или источник света.

Чтобы включить лампу, нажмите кнопку блокировки/разблокировки. Чтобы выключить лампу, нажмите кнопку блокировки/разблокировки еще раз.

ПРИМЕЧАНИЕ: При перегреве инструмента лампа начинает мигать. Прежде чем возобновить работу, убедитесь, что инструмент полностью остыл.

ПРИМЕЧАНИЕ: Для удаления пыли с линзы лампы используйте сухую ткань. Не допускайте возникновения царапин на линзе лампы, так как это приведет к снижению освещенности.

Регулятор скорости

► Рис.5: 1. Регулятор скорости

Обороты инструмента можно регулировать поворотом регулятора скорости. Максимальной скорости соответствует положение 5, а минимальной — 1. См. таблицу, чтобы выбрать надлежащую скорость для обрабатываемой детали. Однако надлежащая скорость может быть разной в зависимости от типа или толщины обрабатываемой детали. Как правило, более высокие скорости позволяют резать обрабатываемые детали быстрее, но срок службы лезвий сократится.

Обрабатываемая деталь	Цифра
Дерево	4 - 5
Мягкая сталь	3 - 5
Нержавеющая сталь	3 - 4
Алюминий	3 - 5
Пластмасса	1 - 4

ПРИМЕЧАНИЕ: Меняя настройку скорости инструмента со значения "5" на "1", поворачивайте регулятор скорости против часовой стрелки. Не прилагайте силу, чтобы повернуть регулятор скорости по часовой стрелке.

Электронная функция

Для простоты эксплуатации инструмент оснащен электронными функциями.

- Плавный запуск
Функция плавного запуска уменьшает пусковой удар и смягчает запуск инструмента.
- Плавное вращение без нагрузки
В целях снижения вибрации и выравнивания полотна ножовочной пилы с линией резки при выборе положения регулятора скорости 2 или выше скорость вращения автоматически уменьшается до тех пор, пока инструмент не начинает обработку детали. Когда инструмент начинает обработку детали, его скорость достигает заданного значения, при этом обороты инструмента поддерживаются на заданной скорости до выключения инструмента.

ПРИМЕЧАНИЕ: При низкой температуре эта функция может быть недоступна.

Выключение функции плавного вращения без нагрузки

Чтобы выключить функцию плавного вращения без нагрузки, приведенной ниже инструкции.

1. Убедитесь, что инструмент отключен.
2. Установите регулятор скорости в положение «1».
3. Нажмите кнопку блокировки/разблокировки, чтобы включить инструмент.
4. Установите регулятор скорости в положение «5», повернув его, затем установите его в положение «1», повернув его обратно.

Лампа мигает дважды, показывая, что функция плавного вращения без нагрузки отключена. Для повторного включения данной функции выполните данную процедуру еще раз.

ПРИМЕЧАНИЕ: Если функция плавного вращения без нагрузки отключена, лампа мигает дважды, когда инструмент включен.

ПРИМЕЧАНИЕ: Вы также можете выключить или включить функцию плавного вращения без нагрузки, изменив положение диска регулировки скорости с «5» на «1» или с «1» на «5».

СБОРКА

▲ВНИМАНИЕ: Перед проведением каких-либо работ с инструментом обязательно убедитесь, что инструмент отключен, а блок аккумулятора снят.

Установка или снятие полотна ножовочной пилы

▲ВНИМАНИЕ: Всегда удаляйте все опилки или инородные частицы, прилипшие к полотну ножовочной пилы и/или держателю полотна. Несоблюдение данного требования может привести к недостаточной затяжке полотна и серьезной травме.

▲ВНИМАНИЕ: Не прикасайтесь к полотну ножовочной пилы или детали сразу после окончания работы. Они могут быть очень горячими и причинить ожог.

▲ВНИМАНИЕ: Всегда надежно закрепляйте полотно ножовочной пилы. Недостаточная затяжка полотна может привести к его поломке или серьезной травме.

▲ВНИМАНИЕ: Используйте только полотно ножовочной пилы типа В. Использование полотен другого типа (кроме В) не обеспечивает надлежащую затяжку, что может стать причиной серьезной травмы.

▲ВНИМАНИЕ: При снятии полотна ножовочной пилы соблюдайте осторожность, чтобы не повредить пальцы верхней частью лезвия или кромками детали.

Перед установкой полотна ножовочной пилы убедитесь, что рычаг зажима полотна находится в разомкнутом положении.

Чтобы установить полотно ножовочной пилы, вставьте его в держатель (зубьями вперед). Рычаг переместится в положение фиксации, и полотно будет зафиксировано. Убедитесь, что задняя сторона полотна входит в ролик. Слегка потяните за полотно, чтобы убедиться, что оно не выпадет во время работы.

- Рис.6: 1. Держатель полотна ножовочной пилы 2. Разомкнутое положение 3. Зафиксированное положение

- **Рис.7:** 1. Держатель полотна ножовочной пилы
2. Полотно ножовочной пилы

ВНИМАНИЕ: Если рычаг не перемещается в положение фиксации, это означает, что полотно вставлено не полностью. Не прижимайте рычаг вручную в положение фиксации. Это может привести к повреждению инструмента.

Чтобы снять полотно ножовочной пилы, нажмите на рычаг вперед до упора. Это позволяет освободить полотно.

- **Рис.8:** 1. Держатель полотна ножовочной пилы
2. Полотно ножовочной пилы

ПРИМЕЧАНИЕ: Иногда смазывайте ролик.

Хранение шестигранного ключа

- **Рис.9:** 1. Крючок 2. Шестигранный ключ

Когда шестигранный ключ не используется, храните его, как показано на рисунке, чтобы не потерять. Сначала вставьте шестигранный ключ в отверстие. Затем вдавите его в крючок до фиксации.

ЭКСПЛУАТАЦИЯ

ВНИМАНИЕ: Обязательно держите основание на одном уровне с деталью. Несоблюдение данного требования может привести к поломке полотна ножовочной пилы и серьезной травме.

ВНИМАНИЕ: Продвигайте инструмент очень медленно при резке по кривой или при перемещении по вертикали. Если к инструменту приложить усилие, это может привести к появлению искошенной поверхности и повреждению полотна ножовочной пилы.

- **Рис.10:** 1. Линия отреза 2. Основание

Включите инструмент, когда полотно ножовочной пилы ничего не касается, и подождите, пока полотно не разовьет полную скорость. Затем положите основание на обрабатываемую деталь и медленно перемещайте инструмент вперед по заранее нанесенной линии отреза.

Резка под углом

ВНИМАНИЕ: Прежде чем наклонить основание, убедитесь, что инструмент отключен, а блок аккумулятора извлечен.

При наклонном основании вы можете выполнять резку со углом под любым углом в диапазоне от 0° до 45° (влево или вправо).

- **Рис.11**

Ослабьте болт в задней части основания шестигранным ключом. Сдвиньте основание так, чтобы болт располагался в центре крестообразного разреза в основании.

- **Рис.12:** 1. Шестигранный ключ 2. Болт
3. Основание

Наклоните основание так, чтобы получить требуемый угол скоса. Край корпуса двигателя указывает угол скоса в градуировке. Затем затяните болт для закрепления основания.

- **Рис.13:** 1. Край 2. Градуировка

Прямые разрезы заподлицо

- **Рис.14:** 1. Шестигранный ключ 2. Болт
3. Основание

Открутите болт в задней части основания шестигранным ключом и сдвиньте основание до конца назад. Затем затяните болт для закрепления основания.

Вырезы

Вырезы можно делать с помощью одного из двух методов - "сверление начального отверстия" или "врезание".

Сверление начального отверстия

- **Рис.15**

Для внутренних вырезов без начального врезания с края, высверлите предварительно отверстие диаметром 12 мм или более. Вставьте полотно ножовочной пилы в это отверстие для начала резки.

Врезание

- **Рис.16**

Вам не нужно будет сверлить начальное отверстие или делать врезку, если вы аккуратно сделаете следующее.

1. Поднимите инструмент за передний край основания, расположив острие полотна ножовочной пилы непосредственно над поверхностью обрабатываемой детали.
2. Надавите на инструмент, чтобы передний край основания не сдвинулся, когда вы включите инструмент, и медленно опустите заднюю часть.
3. По мере врезания полотна ножовочной пилы в обрабатываемую деталь, опускайте основание инструмента на поверхность обрабатываемой детали.
4. Завершите вырез обычным образом.

Обработка краев

- **Рис.17**

Для обработки краев или размерной регулировки, слегка проведите полотном ножовочной пилы по вырезанным краям.

Резка металла

При резке металла всегда пользуйтесь подходящей охлаждающей жидкостью (масло для резки). Несоблюдение данного требования приведет к значительному износу полотна ножовочной пилы. Вместо использования охлаждающего вещества можно смазать обратную поверхность обрабатываемой детали.

Удаление пыли

Дополнительные принадлежности

Для обеспечения чистоты во время работы можно подключить данный инструмент к пылесосу Makita.

Установка или снятие пылезащитных кожухов

Установите пылезащитный кожух, как показано на рисунке.

► **Рис.18:** 1. Пылезащитный кожух

Для снятия пылезащитного кожуха нажмите на кожух с одной стороны, затем снимите его, как показано на рисунке.

► **Рис.19:** 1. Пылезащитный кожух

Установка или снятие пылесборного патрубков

Вставьте пылесборный патрубок до конца в инструмент.

► **Рис.20:** 1. Пылесборный патрубок

Для снятия пылесборного патрубка вытяните его, нажав на расположенную на нем кнопку.

► **Рис.21:** 1. Кнопка 2. Пылесборный патрубок

Подключение инструмента к пылесосу

Подключите шланг пылесоса к пылесборному патрубку.

► **Рис.22**

Направляющая планка

Дополнительные принадлежности

⚠ВНИМАНИЕ: Перед установкой или снятием дополнительных принадлежностей выключите инструмент и извлеките блок аккумулятора.

Прямые разрезы

При многократной резке в глубину до 160 мм или менее, использование направляющей планки позволит добиться быстрых, чистых, прямых разрезов.

► **Рис.23:** 1. Направляющая планка (направляющая линейка)

Для установки направляющей планки вставьте ее в квадратное отверстие сбоку основания, при этом направляющая линейка должна смотреть вниз.

Сдвиньте направляющую планку на необходимую ширину резки, после чего затяните болт для фиксации планки.

► **Рис.24:** 1. Шестигранный ключ 2. Болт
3. Направляющая линейка
4. Направляющая планка (направляющая линейка)

Круговые вырезы

При резке кругов или дуг радиусом в 170 мм или менее, установите направляющую планку следующим образом.

► **Рис.25:** 1. Направляющая планка (направляющая линейка)

1. Вставьте направляющую планку в квадратное отверстие сбоку основания, при этом направляющая линейка должна смотреть вверх.

2. Вставьте штифт круговой направляющей в любое из двух отверстий в направляющей линейке. Накрутите резьбовую рукоятку на штифт для его крепления.

► **Рис.26:** 1. Резьбовая рукоятка 2. Направляющая линейка 3. Направляющая планка (направляющая линейка) 4. Штифт

3. Сдвиньте направляющую планку на желаемый радиус выреза и затяните болт для ее фиксации на месте. После этого сдвиньте основание вперед до конца.

ПРИМЕЧАНИЕ: При вырезке кругов или дуг всегда пользуйтесь полотнами ножовочной пилы № В-17, В-18, В-26 или В-27.

Устройство против раскалывания

Дополнительные принадлежности

⚠ВНИМАНИЕ: При осуществлении резки со скосом устройство против раскалывания использовать нельзя.

► **Рис.27:** 1. Основание 2. Устройство против раскалывания

Для предотвращения раскалывания в процессе резки можно использовать устройство против раскалывания. Чтобы установить устройство против раскалывания, полностью подвиньте основание вперед и вставьте устройство в заднюю часть основания инструмента.

Если вы используете крышку, установите устройство против раскалывания на крышку.

Крышка

Дополнительные принадлежности

► **Рис.28:** 1. Крышка 2. Основание

Используйте крышку при резке декоративной фанеры, пластмассы и т.д. Она защищает лопку или тонкие поверхности от повреждений. Устанавливайте ее на заднюю часть основания инструмента.

Комплект адаптера для шины цепной пилы

Дополнительные принадлежности

При параллельной резке, резке деталей одной ширины и резке по прямой использование адаптера для шины цепной пилы обеспечит получение быстрых, чистых разрезов. Для установки адаптера для шины цепной пилы вставьте линейку в квадратное отверстие основания до упора. Крепко закрутите болт шестигранным ключом.

► **Рис.29:** 1. Шестигранный ключ 2. Линейка
Вставьте линейку в квадратное отверстие адаптера для шины цепной пилы и плотно затяните болт. Установите адаптер для шины цепной пилы на шину цепной пилы.

► **Рис.30:** 1. Адаптер для шины цепной пилы
2. Направляющий рельс 3. Винт

ПРИМЕЧАНИЕ: Всегда используйте лезвия № В-8, В-13, В-16, В-17 или 58 при использовании шины цепной пилы и адаптера для шины цепной пилы

ПРИМЕЧАНИЕ: Некоторые элементы списка могут входить в комплект инструмента в качестве стандартных приспособлений. Они могут отличаться в зависимости от страны.

ОБСЛУЖИВАНИЕ

⚠ВНИМАНИЕ: Перед проведением проверки или работ по техобслуживанию всегда проверяйте, что инструмент выключен, а блок аккумуляторов снят.

ПРИМЕЧАНИЕ: Запрещается использовать бензин, растворители, спирт и другие подобные жидкости. Это может привести к обесцвечиванию, деформации и трещинам.

Для обеспечения БЕЗОПАСНОСТИ и НАДЕЖНОСТИ оборудования ремонт, любое другое техобслуживание или регулировку необходимо производить в уполномоченных сервис-центрах Makita или сервис-центрах предприятия с использованием только сменных частей производства Makita.

ДОПОЛНИТЕЛЬНЫЕ ПРИНАДЛЕЖНОСТИ

⚠ВНИМАНИЕ: Данные принадлежности или приспособления рекомендуются для использования с инструментом Makita, указанным в настоящем руководстве. Использование других принадлежностей или приспособлений может привести к получению травмы. Используйте принадлежность или приспособление только по указанному назначению.

Если вам необходимо содействие в получении дополнительной информации по этим принадлежностям, свяжитесь с вашим сервис-центром Makita.

- Полотна ножовочных пил
- Шестигранный ключ 3
- Комплект направляющей планки (направляющей линейки)
- Комплект адаптера для шины цепной пилы
- Устройство против раскалывания
- Шланг (для пылесоса)
- Крышка
- Пылесборный патрубок
- Пылезащитный кожух
- Оригинальный аккумулятор и зарядное устройство Makita

Makita Europe N.V. Jan-Baptist Vinkstraat 2,
3070 Kortenberg, Belgium

Makita Corporation 3-11-8, Sumiyoshi-cho,
Anjo, Aichi 446-8502 Japan

www.makita.com

885595A987
EN, SV, NO, FI, LV,
LT, ET, RU
20170404