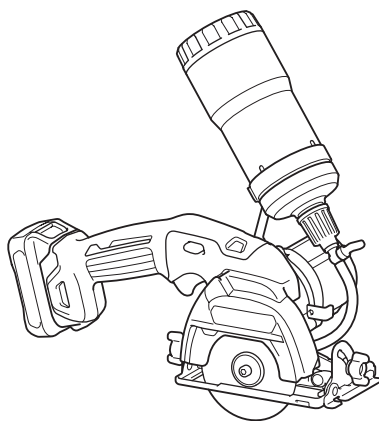




EN	Cordless Cutter	INSTRUCTION MANUAL	4
FR	Scie Diamant sans Fil	MANUEL D'INSTRUCTIONS	10
DE	Akku Fliesen- und Glas-Schneider	BETRIEBSANLEITUNG	17
IT	Taglierina a batteria	ISTRUZIONI PER L'USO	24
NL	Accuslijpmachine	GEBRUIKSAANWIJZING	31
ES	Cortador Inalámbrico	MANUAL DE INSTRUCCIONES	37
PT	Cortadora a Bateria	MANUAL DE INSTRUÇÕES	44
DA	Akku skærer	BRUGSANVISNING	50
EL	Φορητός κόπτης	ΕΓΧΕΙΡΙΔΙΟ ΟΔΗΓΙΩΝ	56
TR	Kablosuz kesme makinası	KULLANMA KILAVUZU	63

## CC301D



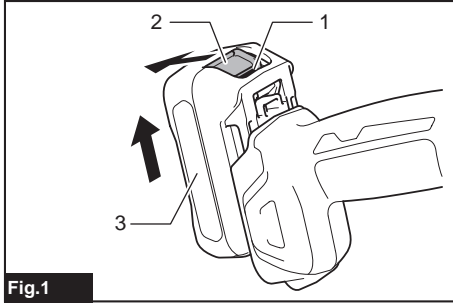


Fig.1

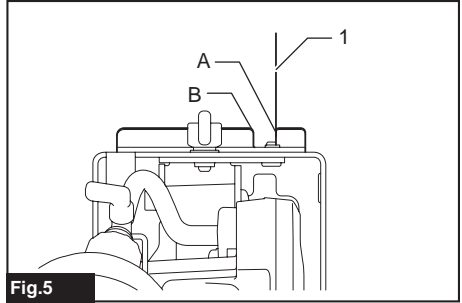


Fig.5

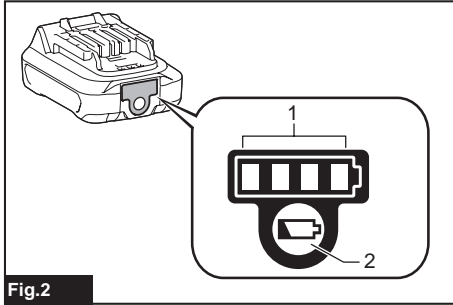


Fig.2

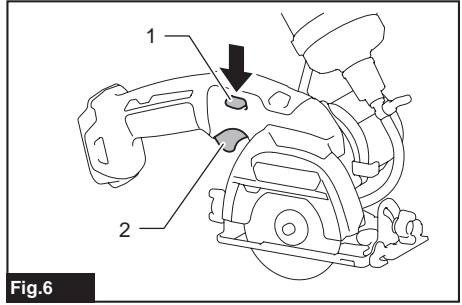


Fig.6

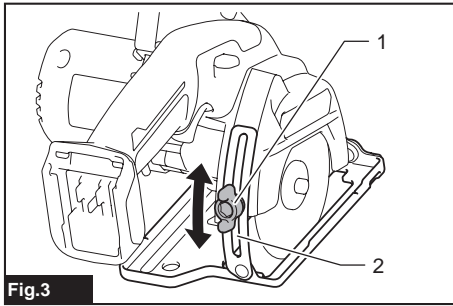


Fig.3

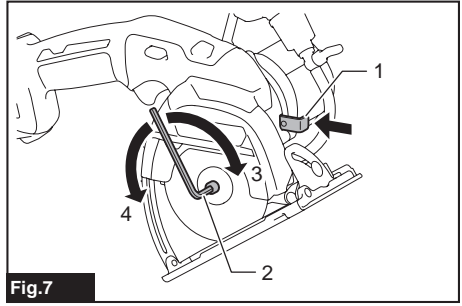


Fig.7

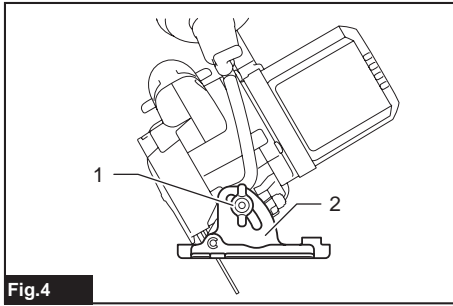


Fig.4

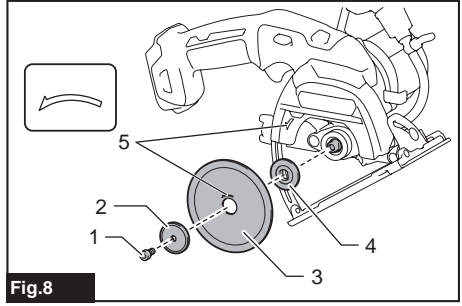
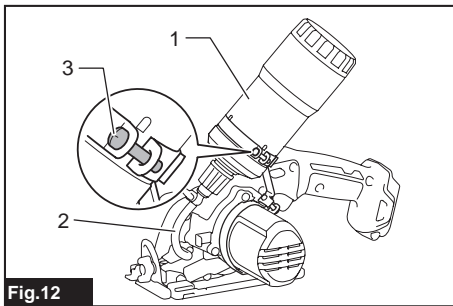
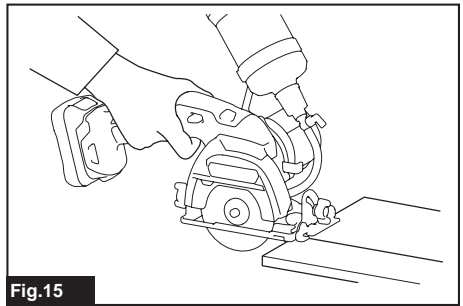
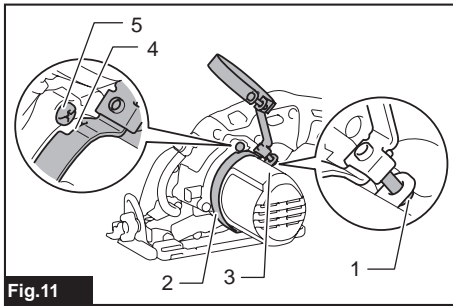
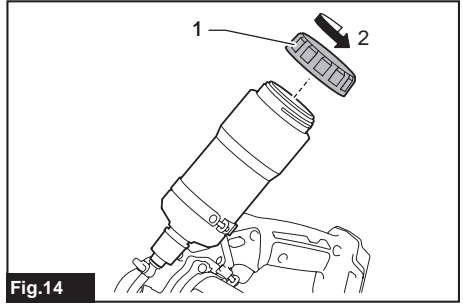
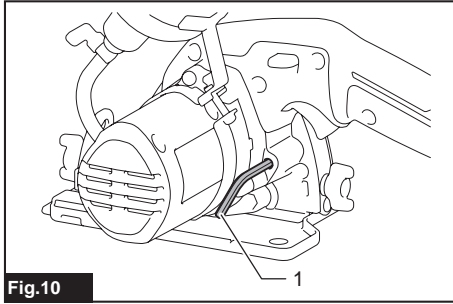
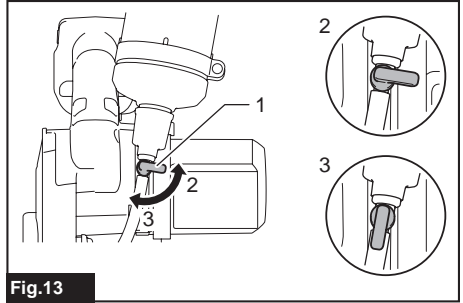
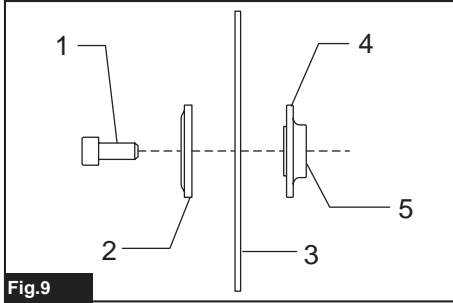


Fig.8



# SPECIFICATIONS

<b>Model:</b>	<b>CC301D</b>	
Diamond wheel diameter	85 mm	
Max. wheel thickness	0.8 mm	
Max. Cutting depth	at 0° bevel	25.5 mm
	at 45° bevel	16.5 mm
Rated speed	1,500 min <sup>-1</sup>	
Rated voltage	D.C. 10.8 V	
Battery cartridge	BL1015, BL1020B	BL1040B
Overall length	313 mm	331 mm
Net weight	1.8 kg	1.9 kg

- Due to our continuing program of research and development, the specifications herein are subject to change without notice.
- Specifications and battery cartridge may differ from country to country.
- Weight, with battery cartridge, according to EPTA-Procedure 01/2003

## Intended use

The tool is intended for cutting in glass and masonry materials with a diamond wheel and water.

## Noise

The typical A-weighted noise level determined according to EN60745:

Sound pressure level ( $L_{p(A)}$ ): 84 dB(A)

Sound power level ( $L_{w(A)}$ ): 95 dB(A)

Uncertainty (K): 3 dB(A)

**⚠ WARNING:** Wear ear protection.

## Vibration

The vibration total value (tri-axial vector sum) determined according to EN60745:

Work mode: concrete cutting

Vibration emission ( $a_v$ ): 2.5 m/s<sup>2</sup> or less

Uncertainty (K): 1.5 m/s<sup>2</sup>

**NOTE:** The declared vibration emission value has been measured in accordance with the standard test method and may be used for comparing one tool with another.

**NOTE:** The declared vibration emission value may also be used in a preliminary assessment of exposure.

**⚠ WARNING:** The vibration emission during actual use of the power tool can differ from the declared emission value depending on the ways in which the tool is used.

**⚠ WARNING:** Be sure to identify safety measures to protect the operator that are based on an estimation of exposure in the actual conditions of use (taking account of all parts of the operating cycle such as the times when the tool is switched off and when it is running idle in addition to the trigger time).

## EC Declaration of Conformity

### For European countries only

The EU declaration of conformity is included as Annex A to this instruction manual.

# SAFETY WARNINGS

## General power tool safety warnings

**⚠ WARNING:** Read all safety warnings and all instructions. Failure to follow the warnings and instructions may result in electric shock, fire and/or serious injury.

## Save all warnings and instructions for future reference.

The term "power tool" in the warnings refers to your mains-operated (corded) power tool or battery-operated (cordless) power tool.

## Cordless cutter safety warnings

- The guard provided with the tool must be securely attached to the power tool and positioned for maximum safety, so the least amount of wheel is exposed towards the operator. Position yourself and bystanders away from the plane of the rotating wheel.** The guard helps to protect operator from broken wheel fragments and accidental contact with wheel.
- Use only diamond cut-off wheels for your power tool.** Just because an accessory can be attached to your power tool, it does not assure safe operation.
- The rated speed of the accessory must be at least equal to the maximum speed marked on the power tool.** Accessories running faster than their rated speed can break and fly apart.
- Wheels must be used only for recommended applications. For example: do not grind with the side of cut-off wheel.** Abrasive cut-off wheels are intended for peripheral grinding, side forces applied to these wheels may cause them to shatter.
- Always use undamaged wheel flanges that are of correct diameter for your selected wheel.** Proper wheel flanges support the wheel thus reducing the possibility of wheel breakage.
- The outside diameter and the thickness of your accessory must be within the capacity rating of your power tool.** Incorrectly sized accessories cannot be adequately guarded or controlled.
- The arbour size of wheels and flanges must properly fit the spindle of the power tool.** Wheels and flanges with arbour holes that do not match the mounting hardware of the power tool will run out of balance, vibrate excessively and may cause loss of control.
- Do not use damaged wheels. Before each use, inspect the wheels for chips and cracks. If power tool or wheel is dropped, inspect for damage or install an undamaged wheel. After inspecting and installing the wheel, position yourself and bystanders away from the plane of the rotating wheel and run the power tool at maximum no load speed for one minute.** Damaged wheels will normally break apart during this test time.
- Wear personal protective equipment. Depending on application, use face shield, safety goggles or safety glasses. As appropriate, wear dust mask, hearing protectors, gloves and shop apron capable of stopping small abrasive or workpiece fragments.** The eye protection must be capable of stopping flying debris generated by various operations. The dust mask or respirator must be capable of filtrating particles generated by your operation. Prolonged exposure to high intensity noise may cause hearing loss.
- Keep bystanders a safe distance away from work area. Anyone entering the work area must wear personal protective equipment.** Fragments of workpiece or of a broken wheel may fly away and cause injury beyond immediate area of operation.
- Hold the power tool with insulated gripping surfaces only, when performing an operation where the cutting accessory may contact hidden wiring.** Cutting accessory contacting a "live" wire may make exposed metal parts of the power tool "live" and could give the operator an electric shock.
- Position the cord clear of the spinning accessory.** If you lose control, the cord may be cut or snagged and your hand or arm may be pulled into the spinning wheel.
- Never lay the power tool down until the accessory has come to a complete stop.** The spinning wheel may grab the surface and pull the power tool out of your control.
- Do not run the power tool while carrying it at your side.** Accidental contact with the spinning accessory could snag your clothing, pulling the accessory into your body.
- Regularly clean the power tool's air vents.** The motor's fan will draw the dust inside the housing and excessive accumulation of powdered metal may cause electrical hazards.
- Do not operate the power tool near flammable materials.** Sparks could ignite these materials.

### Kickback and related warnings

Kickback is a sudden reaction to a pinched or snagged rotating wheel. Pinching or snagging causes rapid stalling of the rotating wheel which in turn causes the uncontrolled power tool to be forced in the direction opposite of the wheel's rotation at the point of the binding. For example, if an abrasive wheel is snagged or pinched by the workpiece, the edge of the wheel that is entering into the pinch point can dig into the surface of the material causing the wheel to climb out or kick out. The wheel may either jump toward or away from the operator, depending on direction of the wheel's movement at the point of pinching. Abrasive wheels may also break under these conditions.

Kickback is the result of power tool misuse and/or incorrect operating procedures or conditions and can be avoided by taking proper precautions as given below.

- Maintain a firm grip on the power tool and position your body and arm to allow you to resist kickback forces. Always use auxiliary handle, if provided, for maximum control over kickback or torque reaction during start-up.** The operator can control torque reactions or kickback forces, if proper precautions are taken.
- Never place your hand near the rotating accessory.** Accessory may kickback over your hand.
- Do not position your body in line with the rotating wheel.** Kickback will propel the tool in direction opposite to the wheel's movement at the point of snagging.
- Use special care when working corners, sharp edges etc. Avoid bouncing and snagging the accessory.** Corners, sharp edges or bouncing have a tendency to snag the rotating accessory and cause loss of control or kickback.
- Do not attach a saw chain, woodcarving blade, segmented diamond wheel with a peripheral gap greater than 10 mm or toothed saw blade.** Such blades create frequent kickback and loss of control.

6. Do not "jam" the wheel or apply excessive pressure. Do not attempt to make an excessive depth of cut. Overstressing the wheel increases the loading and susceptibility to twisting or binding of the wheel in the cut and the possibility of kickback or wheel breakage.
7. When wheel is binding or when interrupting a cut for any reason, switch off the power tool and hold the power tool motionless until the wheel comes to a complete stop. Never attempt to remove the wheel from the cut while the wheel is in motion otherwise kickback may occur. Investigate and take corrective action to eliminate the cause of wheel binding.
8. Do not restart the cutting operation in the workpiece. Let the wheel reach full speed and carefully re-enter the cut. The wheel may bind, walk up or kickback if the power tool is restarted in the workpiece.
9. Support panels or any oversized workpiece to minimize the risk of wheel pinching and kickback. Large workpieces tend to sag under their own weight. Supports must be placed under the workpiece near the line of cut and near the edge of the workpiece on both sides of the wheel.
10. Use extra caution when making a "pocket cut" into existing walls or other blind areas. The protruding wheel may cut gas or water pipes, electrical wiring or objects that can cause kickback.

#### Additional Safety Warnings:

1. Before using a segmented diamond wheel, make sure that the diamond wheel has the peripheral gap between segments of 10 mm or less, only with a negative rake angle.
2. Never attempt to cut with the tool held upside down in a vise. This can lead to serious accidents, because it is extremely dangerous.
3. Some material contains chemicals which may be toxic. Take caution to prevent dust inhalation and skin contact. Follow material supplier safety data.
4. Store wheels as per manufacturer recommendations. Improper storage may damage the wheels.

## SAVE THESE INSTRUCTIONS.

**⚠ WARNING:** DO NOT let comfort or familiarity with product (gained from repeated use) replace strict adherence to safety rules for the subject product. MISUSE or failure to follow the safety rules stated in this instruction manual may cause serious personal injury.

### Important safety instructions for battery cartridge

1. Before using battery cartridge, read all instructions and cautionary markings on (1) battery charger, (2) battery, and (3) product using battery.
2. Do not disassemble battery cartridge.
3. If operating time has become excessively shorter, stop operating immediately. It may result in a risk of overheating, possible burns and even an explosion.

4. If electrolyte gets into your eyes, rinse them out with clear water and seek medical attention right away. It may result in loss of your eyesight.
5. Do not short the battery cartridge:
  - (1) Do not touch the terminals with any conductive material.
  - (2) Avoid storing battery cartridge in a container with other metal objects such as nails, coins, etc.
  - (3) Do not expose battery cartridge to water or rain.

A battery short can cause a large current flow, overheating, possible burns and even a breakdown.
6. Do not store the tool and battery cartridge in locations where the temperature may reach or exceed 50 °C (122 °F).
7. Do not incinerate the battery cartridge even if it is severely damaged or is completely worn out. The battery cartridge can explode in a fire.
8. Be careful not to drop or strike battery.
9. Do not use a damaged battery.
10. The contained lithium-ion batteries are subject to the Dangerous Goods Legislation requirements.

For commercial transports e.g. by third parties, forwarding agents, special requirement on packaging and labeling must be observed.

For preparation of the item being shipped, consulting an expert for hazardous material is required. Please also observe possibly more detailed national regulations.

Tape or mask off open contacts and pack up the battery in such a manner that it cannot move around in the packaging.

11. Follow your local regulations relating to disposal of battery.

## SAVE THESE INSTRUCTIONS.

**⚠ CAUTION:** Only use genuine Makita batteries. Use of non-genuine Makita batteries, or batteries that have been altered, may result in the battery bursting causing fires, personal injury and damage. It will also void the Makita warranty for the Makita tool and charger.

## Tips for maintaining maximum battery life

1. Charge the battery cartridge before completely discharged. Always stop tool operation and charge the battery cartridge when you notice less tool power.
2. Never recharge a fully charged battery cartridge. Overcharging shortens the battery service life.
3. Charge the battery cartridge with room temperature at 10 °C - 40 °C (50 °F - 104 °F). Let a hot battery cartridge cool down before charging it.

## FUNCTIONAL DESCRIPTION

**CAUTION:** Always be sure that the tool is switched off and the battery cartridge is removed before adjusting or checking function on the tool.

### Installing or removing battery cartridge

**CAUTION:** Always switch off the tool before installing or removing of the battery cartridge.

**CAUTION:** Hold the tool and the battery cartridge firmly when installing or removing battery cartridge. Failure to hold the tool and the battery cartridge firmly may cause them to slip off your hands and result in damage to the tool and battery cartridge and a personal injury.

► Fig.1: 1. Red indicator 2. Button 3. Battery cartridge

To remove the battery cartridge, slide it from the tool while sliding the button on the front of the cartridge.

To install the battery cartridge, align the tongue on the battery cartridge with the groove in the housing and slip it into place. Insert it all the way until it locks in place with a little click. If you can see the red indicator on the upper side of the button, it is not locked completely.

**CAUTION:** Always install the battery cartridge fully until the red indicator cannot be seen. If not, it may accidentally fall out of the tool, causing injury to you or someone around you.

**CAUTION:** Do not install the battery cartridge forcibly. If the cartridge does not slide in easily, it is not being inserted correctly.

### Battery protection system

The tool is equipped with a battery protection system. This system automatically cuts off power to the motor to extend battery life.

The tool will automatically stop during operation if the tool and/or battery are placed under one of the following conditions:

#### Overloaded:

The tool is operated in a manner that causes it to draw an abnormally high current.

In this situation, turn the tool off and stop the application that caused the tool to become overloaded. Then turn the tool on to restart.

If the tool does not start, the battery is overheated. In this situation, let the battery cool before turning the tool on again.

#### Low battery voltage:





The remaining battery capacity is too low and the tool will not operate. If you turn the tool on, the motor runs again but stops soon. In this situation, remove and recharge the battery.

## Indicating the remaining battery capacity

*Only for battery cartridges with "B" at the end of the model number*

► Fig.2: 1. Indicator lamps 2. Check button

Press the check button on the battery cartridge to indicate the remaining battery capacity. The indicator lamps light up for few seconds.

Indicator lamps		Remaining capacity
Lighted	Off	
		75% to 100%
		50% to 75%
		25% to 50%
		0% to 25%

**NOTE:** Depending on the conditions of use and the ambient temperature, the indication may differ slightly from the actual capacity.

## Adjusting depth of cut

**CAUTION:** After adjusting the depth of cut, always tighten the clamping screw securely.

► Fig.3: 1. Clamping screw 2. Depth guide

Loosen the clamping screw on the depth guide and move the base up or down. At the desired depth of cut, secure the base by tightening the clamping screw.

## Bevel cutting

► Fig.4: 1. Clamping screw 2. Bevel scale plate

Loosen the clamping screw on the bevel scale plate on the front of the base. Set for the desired angle (0° - 45°) by tilting accordingly, then tighten the clamping screw securely.

## Sighting

► Fig.5: 1. Cutting line

For straight cuts, align the A position on the front of the base with your cutting line. For 45° bevel cuts, align the B position with it.

## Switch action

**CAUTION:** Before installing the battery cartridge into the tool, always check to see that the switch trigger actuates properly and returns to the "OFF" position when released.

**CAUTION:** Do not pull the switch trigger hard without pressing the lock-off lever. This can cause switch breakage.

► Fig.6: 1. Lock-off lever 2. Switch trigger

To prevent the switch trigger from being accidentally pulled, a lock-off lever is provided. To start the tool, slide the lock-off lever and pull the switch trigger. Release the switch trigger to stop.

# ASSEMBLY

**⚠ CAUTION:** Always be sure that the tool is switched off and the battery cartridge is removed before carrying out any work on the tool.

## Installing or removing diamond wheel

**⚠ CAUTION:** Use only the Makita wrench to install or remove the diamond wheel.

**⚠ CAUTION:** When installing the diamond wheel, be sure to tighten the bolt securely.

**⚠ CAUTION:** Always install the diamond wheel so that the arrow on the diamond wheel points in the same direction as the arrow on the diamond wheel case. Otherwise the wheel rotates in reverse, it may cause personal injury.

- ▶ **Fig.7:** 1. Shaft lock 2. Hex wrench 3. Tighten 4. Loosen
- ▶ **Fig.8:** 1. Hex bolt 2. Outer flange 3. Diamond wheel 4. Inner flange 5. Arrow

To remove the diamond wheel, press the shaft lock fully so that the diamond wheel cannot revolve and use the hex wrench to loosen the hex bolt counterclockwise. Then remove the hex bolt, outer flange and diamond wheel.

To install the diamond wheel, follow the removal procedure in reverse. Make sure the diamond wheel is installed so that the arrow on the wheel points in the same direction as the arrow on the diamond wheel case.

**BE SURE TO TIGHTEN THE HEX BOLT SECURELY.**

- ▶ **Fig.9:** 1. Hex bolt 2. Outer flange 3. Diamond wheel 4. Inner flange 5. Protrusion (bigger side)

**NOTE:** If an inner flange is removed by chance, install the inner flange so that its protrusion (bigger side) faces inside as shown in the figure.

## Hex wrench storage

- ▶ **Fig.10:** 1. Hex wrench

When not in use, store the hex wrench as shown in the figure to keep it from being lost.

## Installing water supply

Loosen the screw A.

Slide the tank holder all the way over the motor housing so that the notch of the band (part of the tank holder) is positioned just below the screw head of the tool as illustrated.

Then tighten the screw A.

- ▶ **Fig.11:** 1. Screw A 2. Tank holder 3. Motor housing 4. Notch of the band (part of the tank holder) 5. Screw head of the tool

Attach the tank on the tank holder so that the tank holder fits between the step and dots. Connect the cap on the tube end to the mouth of the tank. Turn the tank clockwise. Then tighten the screw B.

- ▶ **Fig.12:** 1. Tank 2. Tube 3. Screw B

# Water supply

**⚠ CAUTION:** When filling the tank with water, be careful not to let the tool get wet.

Be sure that the water supply cock is closed before filling the tank with water. Open the cap on the tank and fill the water. Recap the tank.

- ▶ **Fig.13:** 1. Water supply cock 2. Close 3. Open

- ▶ **Fig.14:** 1. Cap 2. Open

# OPERATION

**⚠ CAUTION:** This tool should only be used on horizontal surfaces.

**⚠ CAUTION:** Be sure to hold the workpiece firmly down on a stable bench or table during operation.

**⚠ CAUTION:** Do not twist or force the tool in the cut, or the motor may be overloaded or the workpiece may break.

**⚠ CAUTION:** Do not use the tool with the diamond wheel in an upward or sideways position.

**⚠ CAUTION:** The wheel for this tool is a wet-type diamond wheel for glass and tile applications. Be sure to feed water to the diamond wheel during operation.

**⚠ CAUTION:** If the cutting action of the diamond wheel begins to diminish, dress the cutting edge of the wheel using an old discarded coarse grit bench grinder wheel or concrete block. Dress by pressing lightly on the outer edge of the diamond wheel.

- ▶ **Fig.15**

Hold the tool firmly. Set the base plate on the workpiece to be cut without the wheel making any contact.

Then turn the tool on and wait until the wheel attains full speed.

Feed water to the wheel by adjusting the water supply cock to obtain a gentle flow of water.

Move the tool forward over the workpiece surface, keeping it flat and advancing smoothly until the cutting is completed. Keep your cutting line straight and your speed of advance uniform.

For fine, clean cuts, cut slowly. (When cutting glass plate 5 mm (3/16") thick, cut at about 250 mm/min (9-7/8"/min). When cutting tile 10 mm (3/8") thick, cut at about 300 mm/min (11-13/16"/min).) Also slow down as you complete a cut to avoid breaking or cracking the workpiece being cut.

**NOTE:** When the battery cartridge temperature is low, the tool may not work to its full capacity. At this time, for example, use the tool for a light-duty cut for a while until the battery cartridge warms up as high as room temperature. Then, the tool can work to its full capacity.

**NOTE:** Make sure that the water supply cock is closed before operation.



## MAINTENANCE

**⚠ CAUTION:** Always be sure that the tool is switched off and the battery cartridge is removed before attempting to perform inspection or maintenance.

**NOTICE:** Never use gasoline, benzine, thinner, alcohol or the like. Discoloration, deformation or cracks may result.

To maintain product SAFETY and RELIABILITY, repairs, any other maintenance or adjustment should be performed by Makita Authorized or Factory Service Centers, always using Makita replacement parts.

## OPTIONAL ACCESSORIES

**⚠ CAUTION:** These accessories or attachments are recommended for use with your Makita tool specified in this manual. The use of any other accessories or attachments might present a risk of injury to persons. Only use accessory or attachment for its stated purpose.

If you need any assistance for more details regarding these accessories, ask your local Makita Service Center.

- Diamond wheels
- Hex wrench
- Makita genuine battery and charger

**NOTE:** Some items in the list may be included in the tool package as standard accessories. They may differ from country to country.

# SPÉCIFICATIONS

Modèle :	CC301D	
Diamètre du disque diamanté	85 mm	
Épaisseur max. du disque	0,8 mm	
Profondeur max. de coupe	en biseau à 0°	25,5 mm
	en biseau à 45°	16,5 mm
Vitesse nominale	1 500 min <sup>-1</sup>	
Tension nominale	10,8 V CC	
Batterie	BL1015, BL1020B	BL1040B
Longueur totale	313 mm	331 mm
Poids net	1,8 kg	1,9 kg

- Étant donné l'évolution constante de notre programme de recherche et de développement, les spécifications contenues dans ce manuel sont sujettes à modification sans préavis.
- Les spécifications et la batterie peuvent être différentes suivant les pays.
- Poids, avec la batterie, conformément à la procédure EPTA-01/2003

## Utilisations

L'outil est conçu pour couper dans du verre et des matériaux de maçonnerie avec un disque diamanté et de l'eau.

## Bruit

Niveau de bruit pondéré A typique, déterminé selon EN60745 :

Niveau de pression sonore ( $L_{pA}$ ) : 84 dB (A)

Niveau de puissance sonore ( $L_{WA}$ ) : 95 dB (A)

Incertitude (K) : 3 dB (A)

**AVERTISSEMENT** : Portez un serre-tête antibruit.

## Vibrations

Valeur totale de vibrations (somme de vecteur triaxial) déterminée selon EN60745 :

Mode de travail : sciage de béton

Émission de vibrations ( $a_{h,r}$ ) : 2,5 m/s<sup>2</sup> ou moins

Incertitude (K) : 1,5 m/s<sup>2</sup>

**NOTE** : La valeur d'émission de vibrations déclarée a été mesurée conformément à la méthode de test standard et peut être utilisée pour comparer les outils entre eux.

**NOTE** : La valeur d'émission de vibrations déclarée peut aussi être utilisée pour l'évaluation préliminaire de l'exposition.

**AVERTISSEMENT** : L'émission de vibrations lors de l'usage réel de l'outil électrique peut être différente de la valeur d'émission déclarée, suivant la façon dont l'outil est utilisé.

**AVERTISSEMENT** : Les mesures de sécurité à prendre pour protéger l'utilisateur doivent être basées sur une estimation de l'exposition dans des conditions réelles d'utilisation (en tenant compte de toutes les composantes du cycle d'utilisation, comme par exemple le moment de sa mise hors tension, lorsqu'il tourne à vide et le moment de son déclenchement).

## Déclaration de conformité CE

*Pour les pays européens uniquement*

La déclaration de conformité UE est fournie en Annexe A à ce mode d'emploi.

## CONSIGNES DE SÉCURITÉ

### Consignes de sécurité générales pour outils électriques

**AVERTISSEMENT** : Lisez toutes les consignes de sécurité et toutes les instructions. Il y a risque d'électrocution, d'incendie et/ou de graves blessures si les mises en garde et les instructions ne sont pas respectées.

## Conservez toutes les mises en garde et instructions pour référence ultérieure.

Le terme « outil électrique » dans les avertissements fait référence à l'outil électrique alimenté par le secteur (avec cordon d'alimentation) ou à l'outil électrique fonctionnant sur batterie (sans cordon d'alimentation).

## Consignes de sécurité pour scie diamant sans fil

- Le carter de protection fourni avec l'outil doit être fermement fixé à l'outil électrique dans une position assurant une sécurité maximale, de façon à minimiser la surface du disque exposée en direction de l'utilisateur. Assurez-vous que personne, y compris vous-même, ne se trouve sur le même plan que le disque en rotation.** Le carter de protection contribue à protéger l'utilisateur des fragments de disque cassés et d'un contact accidentel avec le disque.
- Utilisez uniquement des disques à tronçonner diamantés conçus pour votre outil électrique.** Le simple fait qu'un accessoire puisse être fixé à l'outil électrique ne garantit pas qu'il fonctionnera de manière sûre.
- La vitesse nominale de l'accessoire doit être au moins égale à la vitesse maximum inscrite sur l'outil électrique.** Les accessoires tournant plus vite que leur vitesse nominale peuvent se casser et voler en éclats.
- Les disques ne doivent être utilisés que pour les applications recommandées. Par exemple : ne procédez pas au meulage avec le côté du disque à tronçonner.** Les disques à tronçonner abrasifs sont conçus pour un meulage périphérique. Exercer une force latérale sur ces disques peut les briser.
- Utilisez toujours des flasques pour disque en bon état, au diamètre convenant au disque sélectionné.** Des flasques pour disque adéquates soutiennent le disque, diminuant ainsi la possibilité d'une rupture du disque.
- Le diamètre extérieur et l'épaisseur de l'accessoire ne doivent pas dépasser la capacité nominale de l'outil électrique.** Les accessoires de taille incorrecte ne peuvent être protégés ou contrôlés adéquatement.
- L'orifice central des disques et des flasques doit s'insérer parfaitement sur la broche de l'outil électrique.** Des disques et des flasques dont l'orifice central ne correspond pas au matériel de fixation de l'outil électrique se déséquilibreront, vibreront excessivement et risqueront d'entraîner une perte de maîtrise de l'outil.
- N'utilisez pas de disques endommagés. Avant chaque utilisation, vérifiez que les disques ne sont pas fissurés ou écaillés. Si vous faites tomber l'outil électrique ou le disque, vérifiez qu'ils ne sont pas abîmés ou bien remplacez le disque endommagé. Après avoir vérifié et posé le disque, assurez-vous que personne, y compris vous-même, ne se trouve sur le même plan que le disque en rotation, et faites tourner l'outil électrique à la vitesse à vide maximum pendant une minute.** Les disques endommagés se brisent généralement au cours de cette période d'essai.
- Portez un équipement de protection individuelle. Suivant le type de travail à effectuer, utilisez un écran facial, des lunettes à coques ou des lunettes de sécurité. Au besoin, portez également un masque antipoussières, des**
- Ne laissez pas les personnes présentes approcher de la zone de travail. Toute personne pénétrant dans la zone de travail doit porter un équipement de protection individuelle.** Des fragments provenant de la pièce de travail ou d'un disque cassé peuvent voler en éclats et blesser les personnes se trouvant au-delà de la zone immédiate de travail.
- Tenez l'outil électrique uniquement par ses surfaces de prise isolées, lors d'une opération au cours de laquelle l'accessoire de coupe peut entrer en contact avec un fil caché.** Le contact de l'accessoire de coupe avec un fil sous tension peut transmettre du courant dans les pièces métalliques exposées de l'outil électrique et électrocuter l'utilisateur.
- Placez le cordon à l'écart de l'accessoire en rotation.** Si vous perdez le contrôle, le cordon risque d'être coupé ou tiré, et votre main ou votre bras peuvent être happés par le disque en rotation.
- Assurez-vous que l'accessoire est complètement arrêté avant de poser l'outil électrique.** Le disque en rotation risque de s'accrocher à la surface et vous faire perdre le contrôle de l'outil électrique.
- Ne transportez pas l'outil électrique tout en laissant tourner.** En cas de contact accidentel avec l'accessoire en rotation, ce dernier risque d'accrocher vos vêtements et d'être entraîné vers votre corps.
- Nettoyez régulièrement les orifices de ventilation de l'outil électrique.** Le ventilateur du moteur aspire les poussières à l'intérieur du carter, ce qui présente un danger électrique en cas d'accumulation excessive de poussières métalliques.
- N'utilisez pas l'outil électrique près de matériaux inflammables.** Les étincelles risqueraient d'enflammer ces matériaux.

### Chocs en retour et mises en garde concernant ces derniers

Le choc en retour est une réaction soudaine du disque en rotation lorsqu'il se coince ou accroche. Lorsque le disque en rotation se coince ou accroche, il s'arrête soudainement et l'utilisateur perd alors la maîtrise de l'outil électrique projeté dans le sens contraire de sa rotation au point où il se coince dans la pièce. Par exemple, si un disque abrasif accroche ou se coince dans la pièce, son tranchant introduit au point de pincement risque d'y creuser la surface du matériau, entraînant la sortie ou le déchaussement du disque. Le disque peut alors dévier de sa trajectoire, vers l'utilisateur ou dans le sens opposé, selon la direction du mouvement du disque au point de pincement. Dans de telles situations, le disque abrasif risque également de se briser.

Le choc en retour est le résultat d'une utilisation incorrecte de l'outil électrique et/ou de l'inobservation des procédures ou conditions d'utilisation. Il peut être évité en prenant les précautions adéquates indiquées ci-dessous.

1. **Maintenez une poigne ferme sur l'outil électrique et placez corps et bras de façon à pouvoir résister à la force exercée par les chocs en retour. Utilisez toujours la poignée auxiliaire, s'il y en a une, pour avoir une maîtrise maximale de l'outil en cas de choc en retour ou de force de réaction exercée au moment du démarrage.** L'utilisateur peut maîtriser les forces de réaction et de choc en retour s'il prend les précautions adéquates.
2. **Ne placez jamais la main près de l'accessoire en rotation.** L'accessoire risquerait de passer sur votre main en cas de choc en retour.
3. **Ne vous placez pas dans l'axe du disque en rotation.** Le choc en retour projetera l'outil dans le sens opposé au mouvement du disque au point où il accroche dans la pièce.
4. **Soyez tout particulièrement prudent lorsque vous travaillez sur les coins, les arêtes vives, etc. Évitez de laisser l'accessoire sautiller ou accrocher.** L'accessoire en rotation a tendance à accrocher dans les coins, sur les arêtes vives et lorsqu'il sautille, ce qui comporte un risque de perte de maîtrise ou de choc en retour.
5. **Ne fixez pas une chaîne de tronçonneuse, une lame à sculpter le bois, un disque diamanté à segments avec un espace périphérique supérieur à 10 mm ou une lame de scie dentée.** Ces lames causent fréquemment des chocs en retour et la perte de maîtrise de l'outil.
6. **Évitez de coincer le disque ou d'appliquer une pression excessive. N'essayez pas de couper trop profondément.** Un disque trop sollicité subira une surcharge et risquera de se tordre ou de se coincer dans la ligne de coupe, ce qui comporte un risque de choc en retour ou de bris du disque.
7. **Lorsque le disque se coince ou lorsque vous interrompez la coupe pour une raison quelconque, éteignez l'outil électrique et maintenez-le immobile jusqu'à ce que le disque ait complètement cessé de tourner. N'essayez jamais de retirer le disque de la ligne de coupe alors qu'il bouge encore, sous peine de provoquer un choc en retour.** Inspectez le disque et apportez les corrections nécessaires pour éliminer la cause du coincement du disque.
8. **Ne reprenez pas l'opération de coupe dans la pièce. Laissez le disque atteindre sa pleine vitesse, puis réintroduisez-le doucement dans la ligne de coupe.** Si vous reprenez la coupe avec le disque déjà dans la pièce, il risquera de se coincer, de remonter sur la pièce ou de provoquer un choc en retour.
9. **Soutenez les panneaux ou les pièces de grande taille pour réduire les risques de coincement du disque et de choc en retour.** Les pièces de grande taille ont tendance à ployer sous leur propre poids. Il est nécessaire de placer en dessous des cales à proximité de la ligne de coupe et près du rebord de la pièce de chaque côté du disque.

10. **Redoublez de précaution lorsque vous faites une « coupe en plongée » dans un mur ou toute autre surface pouvant cacher des structures.** Le disque, en dépassant derrière le mur ou la surface, peut couper des conduites de gaz ou d'eau, des fils électriques ou des objets pouvant causer un choc en retour.

#### Consignes de sécurité supplémentaires :

1. **Avant d'utiliser un disque diamanté à segments, assurez-vous que l'espace périphérique entre les segments est au maximum de 10 mm, et que l'angle de pente est négatif.**
2. **N'essayez jamais de couper en plaçant l'outil à l'envers dans un étau.** Ceci est extrêmement dangereux et peut entraîner des accidents graves.
3. **Certains matériaux contiennent des produits chimiques qui peuvent être toxiques.** Prenez les précautions nécessaires pour éviter que la poussière dégagée lors du travail ne soit inhalée et n'entre en contact avec la peau. Suivez les données de sécurité du fournisseur du matériau.
4. **Entreposez les disques conformément aux recommandations du fabricant.** Un entreposage incorrect risque d'endommager les disques.

## CONSERVEZ CES INSTRUCTIONS.

**⚠ AVERTISSEMENT :** NE vous laissez PAS tromper (au fil d'une utilisation répétée) par un sentiment d'aisance et de familiarité avec le produit, en négligeant le respect rigoureux des consignes de sécurité qui accompagnent le produit en question. La MAUVAISE UTILISATION de l'outil ou l'ignorance des consignes de sécurité indiquées dans ce mode d'emploi peut entraîner de graves blessures.

## Consignes de sécurité importantes pour la batterie

1. **Avant d'utiliser la batterie, lisez toutes les instructions et précautions relatives (1) au chargeur de batterie, (2) à la batterie, et (3) au produit utilisant la batterie.**
2. **Ne démontez pas la batterie.**
3. **Cessez immédiatement l'utilisation si le temps de fonctionnement devient excessivement court.** Il y a un risque de surchauffe, de brûlures, voire d'explosion.
4. **Si l'électrolyte pénètre dans vos yeux, rincez-les à l'eau claire et consultez immédiatement un médecin.** Il y a un risque de perte de la vue.
5. **Ne court-circuitez pas la batterie :**
  - (1) **Ne touchez les bornes avec aucun matériau conducteur.**
  - (2) **Évitez de ranger la batterie dans un conteneur avec d'autres objets métalliques, par exemple des clous, des pièces de monnaie, etc.**

- (3) N'exposez pas la batterie à l'eau ou à la pluie.

Un court-circuit de la batterie peut provoquer une intensité de courant élevée, une surchauffe, parfois des brûlures et même une panne.

6. Ne rangez pas l'outil et la batterie dans un endroit où la température risque d'atteindre ou de dépasser 50 °C.
7. Ne jetez pas la batterie au feu même si elle est sérieusement endommagée ou complètement épuisée. La batterie peut exploser au contact du feu.
8. Évitez de laisser tomber ou de cogner la batterie.
9. N'utilisez pas la batterie si elle est endommagée.
10. **Les batteries au lithium-ion contenues sont soumises aux exigences de la législation sur les marchandises dangereuses.**  
Lors du transport commercial par des tierces parties ou des transitaires par exemple, des exigences spécifiques en matière d'étiquetage et d'emballage doivent être respectées.  
Pour la préparation de l'article expédié, il est nécessaire de consulter un expert en matériau dangereux. Veuillez également respecter les réglementations nationales susceptibles d'être plus détaillées.  
Recouvrez les contacts exposés avec du ruban adhésif ou du ruban de masquage et emballez la batterie de telle sorte qu'elle ne puisse pas bouger dans l'emballage.
11. **Suivez les réglementations locales en matière de mise au rebut des batteries.**

## CONSERVEZ CES INSTRUCTIONS.

**ATTENTION** : N'utilisez que des batteries Makita d'origine. L'utilisation de batteries de marque autre que Makita ou de batteries modifiées peut provoquer l'explosion des batteries, ce qui présente un risque d'incendie, de dommages matériels et corporels. Cela annulera également la garantie Makita pour l'outil et le chargeur Makita.

## Conseils pour assurer la durée de vie optimale de la batterie

1. Chargez la batterie avant qu'elle ne soit complètement déchargée. Arrêtez toujours l'outil et rechargez la batterie quand vous remarquez que la puissance de l'outil diminue.
2. Ne rechargez jamais une batterie complètement chargée. La surcharge réduit la durée de service de la batterie.
3. Chargez la batterie à une température ambiante comprise entre 10 °C et 40 °C. Avant de charger une batterie chaude, laissez-la refroidir.

## DESCRIPTION DU FONCTIONNEMENT

**ATTENTION** : Assurez-vous toujours que l'outil est hors tension et que sa batterie est retirée avant de l'ajuster ou de vérifier son fonctionnement.

### Insertion ou retrait de la batterie

**ATTENTION** : Éteignez toujours l'outil avant de mettre en place ou de retirer la batterie.

**ATTENTION** : Tenez fermement l'outil et la batterie lors de la mise en place ou du retrait de la batterie. Si vous ne tenez pas fermement l'outil et la batterie, ils peuvent vous glisser des mains, et s'abîmer ou vous blesser.

► Fig.1: 1. Voyant rouge 2. Bouton 3. Batterie

Pour retirer la batterie, faites-la glisser hors de l'outil tout en faisant glisser le bouton à l'avant de la batterie.

Pour mettre en place la batterie, alignez la languette sur la batterie avec la rainure sur le compartiment et insérez-la. Insérez-la à fond jusqu'à ce qu'un léger déclic se fasse entendre. Si le voyant rouge sur le dessus du bouton est visible, cela signifie qu'elle n'est pas bien verrouillée.

**ATTENTION** : Insérez toujours complètement la batterie jusqu'à ce que le voyant rouge ne soit plus visible. Sinon, elle pourrait tomber accidentellement de l'outil, au risque de vous blesser ou de blesser quelqu'un se trouvant près de vous.

**ATTENTION** : N'insérez pas la batterie de force. Si elle ne glisse pas facilement, c'est que vous ne l'insérez pas correctement.

### Système de protection de la batterie

L'outil est équipé d'un système de protection de la batterie. Ce système coupe automatiquement le courant de l'outil pour prolonger la durée de service de la batterie.

L'outil s'arrêtera automatiquement en cours d'utilisation si l'outil et/ou la batterie se trouve dans l'une ou l'autre des situations suivantes :

#### Surcharge :

L'outil est utilisé de manière telle qu'il consomme un courant anormalement élevé.

Dans ce cas, éteignez l'outil et arrêtez la tâche ayant provoqué la surcharge de l'outil. Puis rallumez l'outil pour reprendre la tâche.

Si l'outil ne démarre pas, c'est que la batterie a surchauffé. Dans ce cas, laissez la batterie refroidir avant de rallumer l'outil.

#### Faible tension de la batterie :

La charge restante de la batterie est trop faible et l'outil ne fonctionne pas. Si vous mettez l'outil sous tension, le moteur redémarre, mais s'arrête rapidement. Le cas échéant, retirez et rechargez la batterie.

## Indication de la charge restante de la batterie

Uniquement pour les batteries dont le numéro de modèle se termine par « B »

► Fig.2: 1. Témoins 2. Bouton de vérification

Appuyez sur le bouton de vérification sur la batterie pour indiquer la charge restante de la batterie. Les témoins s'allument pendant quelques secondes.

Témoins		Charge restante
Allumé	Éteint	
■ ■ ■ ■	□	75 % à 100 %
■ ■ ■ □	□	50 % à 75 %
■ ■ □ □	□ □	25 % à 50 %
■ □ □ □	□ □ □ □	0 % à 25 %

**NOTE :** Selon les conditions d'utilisation et la température ambiante, l'indication peut être légèrement différente de la capacité réelle.

## Réglage de la profondeur de coupe

**ATTENTION :** Après avoir ajusté la profondeur de coupe, serrez toujours fermement la vis de serrage.

► Fig.3: 1. Vis de serrage 2. Guide de profondeur

Desserrez la vis de serrage sur le guide de profondeur, et déplacez la base vers le haut ou le bas. À la profondeur de coupe désirée, fixez la base en serrant la vis de serrage.

## Coupe en biseau

► Fig.4: 1. Vis de serrage 2. Plaque d'échelle de biseau

Desserrez la vis de serrage sur la plaque d'échelle de biseau à l'avant de la base. Faites le réglage en inclinant selon l'angle désiré (0° à 45°), puis serrez fermement la vis de serrage.

## Visée

► Fig.5: 1. Ligne de coupe

Pour les coupes rectilignes, alignez la position A à l'avant de la base sur la ligne de coupe. Pour les coupes en biseau de 45°, alignez la position B sur cette même ligne.

## Fonctionnement de la gâchette

**ATTENTION :** Avant d'insérer la batterie dans l'outil, vérifiez toujours que la gâchette fonctionne bien et revient en position d'arrêt lorsque vous la relâchez.

**ATTENTION :** Évitez d'appuyer sur la gâchette avec force lorsque le levier de sécurité n'est pas enfoncé. Vous risqueriez de briser la gâchette.

► Fig.6: 1. Levier de sécurité 2. Gâchette

Un levier de sécurité est fourni pour prévenir l'activation accidentelle de la gâchette. Pour démarrer l'outil, faites glisser le levier de sécurité puis appuyez sur la gâchette. Pour arrêter l'outil, relâchez la gâchette.

## ASSEMBLAGE

**ATTENTION :** Assurez-vous toujours que l'outil est hors tension et que sa batterie est retirée avant d'effectuer toute tâche dessus.

## Pose ou dépose du disque diamanté

**ATTENTION :** Utilisez exclusivement la clé Makita pour poser ou déposer le disque diamanté.

**ATTENTION :** Lorsque vous installez le disque diamanté, veillez à serrer fermement le boulon.

**ATTENTION :** Posez toujours le disque diamanté de sorte que la flèche sur le disque diamanté soit dirigée dans le même sens que la flèche sur le porte-disque diamanté. Autrement, le disque tournera en sens inverse, ce qui présente un risque de blessure corporelle.

► Fig.7: 1. Blocage de l'arbre 2. Clé hexagonale 3. Serrer 4. Desserrer

► Fig.8: 1. Boulon hexagonal 2. Flasque extérieur 3. Disque diamanté 4. Flasque intérieur 5. Flèche

Pour déposer le disque diamanté, enfoncez complètement le blocage de l'arbre de sorte que le disque diamanté ne puisse pas tourner et utilisez la clé hexagonale pour desserrer le boulon hexagonal en le tournant dans le sens contraire des aiguilles d'une montre. Retirez ensuite le boulon hexagonal, le flasque extérieur et le disque diamanté.

Pour poser le disque diamanté, suivez la procédure de retrait en sens inverse. Veillez à ce que le disque diamanté soit posé de sorte que la flèche sur le disque diamanté soit dirigée dans le même sens que la flèche sur le porte-disque diamanté.  
**ASSUREZ-VOUS D'AVOIR FERMEMENT SERRÉ LE BOULON HEXAGONAL.**

► Fig.9: 1. Boulon hexagonal 2. Flasque extérieur 3. Disque diamanté 4. Flasque intérieur 5. Parties saillantes (côté plus large)

**NOTE** : Si une flasque intérieure est retirée par inadvertance, installez la flasque intérieure de sorte que sa partie saillante (côté plus large) soit tournée vers l'intérieur tel qu'indiqué sur l'illustration.

## Rangement de la clé hexagonale

► **Fig.10:** 1. Clé hexagonale

Lorsque vous n'utilisez pas la clé hexagonale, rangez-la tel qu'indiqué sur l'illustration pour éviter de la perdre.

## Installation de l'alimentation en eau

Desserrez la vis A.

Couisissez le porte-réservoir à fond sur le carter du moteur de sorte que l'entaille sur le collier (partie du porte-réservoir) soit placée juste dessous la tête de vis de l'outil comme illustré.

Serrez ensuite la vis A.

► **Fig.11:** 1. Vis A 2. Porte-réservoir 3. Carter du moteur 4. Entaille du collier (partie du porte-réservoir) 5. Tête de vis de l'outil

Fixez le réservoir sur le porte-réservoir de sorte que celui-ci s'insère entre l'échelon et les points. Raccordez le bouchon sur l'extrémité du tube sur le goulot du réservoir. Tournez le réservoir dans le sens des aiguilles d'une montre. Serrez ensuite la vis B.

► **Fig.12:** 1. Réservoir 2. Tube 3. Vis B

## Alimentation en eau

**ATTENTION** : Lors du remplissage d'eau du réservoir, veillez à ne pas mouiller l'outil.

Veillez à ce que le robinet d'alimentation en eau soit fermé avant de remplir le réservoir d'eau. Ouvrez le bouchon sur le réservoir et remplissez d'eau. Remettez le bouchon sur le réservoir.

► **Fig.13:** 1. Robinet d'alimentation en eau 2. Fermer 3. Ouvrir

► **Fig.14:** 1. Bouchon 2. Ouvrir

# UTILISATION

**ATTENTION** : Cet outil doit être utilisé exclusivement sur des surfaces horizontales.

**ATTENTION** : Veillez à tenir fermement la pièce sur un établi stable ou une table pendant l'utilisation.

**ATTENTION** : Ne tordez ni ne forcez l'outil lors de la coupe sous peine de surcharger le moteur ou de rompre la pièce.

**ATTENTION** : N'utilisez pas l'outil avec le disque diamanté tourné vers le haut ou le côté.

**ATTENTION** : Le disque pour cet outil est un disque diamanté humide pour les coupes de verre et de carreaux. Veillez à alimenter le disque diamanté en eau pendant le fonctionnement.

**ATTENTION** : Si la capacité de coupe du disque diamanté commence à diminuer, affûtez le tranchant du disque au moyen d'un vieux touret à gros grains ou d'un bloc en béton. Lorsque vous affûtez le disque diamanté, exercez une légère pression sur son bord extérieur.

► **Fig.15**

Tenez l'outil fermement. Placez la base de l'outil sur la pièce à couper de sorte que le disque n'entre pas en contact avec quoi que ce soit.

Mettez ensuite l'outil sous tension et attendez que le disque atteigne sa pleine vitesse.

Alimentez le disque en eau en réglant le robinet d'alimentation en eau pour obtenir un léger écoulement d'eau.

Déplacez l'outil vers l'avant sur la surface de la pièce, en le maintenant à plat et en le faisant avancer doucement jusqu'à ce que la coupe soit terminée. Maintenez un trait de coupe bien droit et une vitesse de progression constante.

Pour obtenir des coupes fines et propres, procédez lentement. (Lors de la coupe de plaques de verre d'une épaisseur de 5 mm, coupez à une vitesse d'environ 250 mm/minute. Lors de la coupe de carreaux d'une épaisseur de 10 mm, coupez à une vitesse d'environ 300 mm/minute). Ralentissez également vers la fin de la coupe pour éviter de casser ou fissurer la pièce en cours de coupe.

**NOTE** : Si la température de la batterie est basse, il se peut que l'outil ne fonctionne pas à son plein potentiel. Pour l'instant, par exemple, utilisez l'outil pour une coupe légère pendant un moment jusqu'à ce que la batterie soit à température ambiante. Ensuite, l'outil peut fonctionner à son plein potentiel.

**NOTE** : Assurez-vous que le robinet d'alimentation en eau soit fermé avant utilisation.

## ENTRETIEN

**⚠ ATTENTION :** Assurez-vous toujours que l'outil est hors tension et que la batterie est retirée avant d'y effectuer tout travail d'inspection ou d'entretien.

**REMARQUE :** N'utilisez jamais d'essence, benzine, diluant, alcool ou autre produit similaire. Cela risquerait de provoquer la décoloration, la déformation ou la fissuration de l'outil.

Pour assurer la SÉCURITÉ et la FIABILITÉ du produit, toute réparation, tout travail d'entretien ou de réglage doivent être effectués par un centre d'entretien Makita agréé, avec des pièces de rechange Makita.

## ACCESSOIRES EN OPTION

**⚠ ATTENTION :** Ces accessoires ou pièces complémentaires sont recommandés pour l'utilisation avec l'outil Makita spécifié dans ce mode d'emploi. L'utilisation de tout autre accessoire ou pièce complémentaire peut comporter un risque de blessure. N'utilisez les accessoires ou pièces complémentaires qu'aux fins auxquelles ils ont été conçus.

Pour obtenir plus de détails sur ces accessoires, contactez votre centre d'entretien local Makita.

- Disques diamantés
- Clé hexagonale
- Batterie et chargeur Makita d'origine

**NOTE :** Il se peut que certains éléments de la liste soient compris dans l'emballage de l'outil en tant qu'accessoires standard. Ils peuvent varier d'un pays à l'autre.



## TECHNISCHE DATEN

<b>Modell:</b>		<b>CC301D</b>	
Diamantscheibendurchmesser		85 mm	
Max. Scheibendicke		0,8 mm	
Max. Schnitttiefe	bei 0° Neigungswinkel	25,5 mm	
	bei 45° Neigungswinkel	16,5 mm	
Nenn Drehzahl		1.500 min <sup>-1</sup>	
Nennspannung		10,8 V Gleichstrom	
Akku		BL1015, BL1020B	BL1040B
Gesamtlänge		313 mm	331 mm
Nettogewicht		1,8 kg	1,9 kg

- Wir behalten uns vor, Änderungen der technischen Daten im Zuge der Entwicklung und des technischen Fortschritts ohne vorherige Ankündigung vorzunehmen.
- Die technischen Daten und der Akku können von Land zu Land unterschiedlich sein.
- Gewicht mit Akku nach EPTA-Verfahren 01/2003

### Vorgesehene Verwendung

Das Werkzeug ist für das Schneiden in Glas und Mauerwerk mit einer Diamantscheibe und Wasser vorgesehen.

### Geräusch

Typischer A-bewerteter Geräuschpegel ermittelt gemäß EN60745:

Schalldruckpegel ( $L_{pA}$ ): 84 dB (A)

Schalleistungspegel ( $L_{WA}$ ): 95 dB (A)

Messunsicherheit (K): 3 dB (A)

**⚠️ WARNUNG:** Einen Gehörschutz tragen.

### Schwingungen

Schwingungsgesamtwert (Drei-Achsen-Vektorsumme) ermittelt gemäß EN60745:

Arbeitsmodus: Betonschneiden

Schwingungsemission ( $a_h$ ): 2,5 m/s<sup>2</sup> oder weniger

Messunsicherheit (K): 1,5 m/s<sup>2</sup>

**HINWEIS:** Der angegebene Schwingungsemissionswert wurde im Einklang mit der Standardprüfmethode gemessen und kann für den Vergleich zwischen Werkzeugen herangezogen werden.

**HINWEIS:** Der angegebene Schwingungsemissionswert kann auch für eine Vorbewertung des Gefährdungsgrads verwendet werden.

**⚠️ WARNUNG:** Die Schwingungsemission während der tatsächlichen Benutzung des Elektrowerkzeugs kann je nach der Benutzungsweise des Werkzeugs vom angegebenen Emissionswert abweichen.

**⚠️ WARNUNG:** Identifizieren Sie Sicherheitsmaßnahmen zum Schutz des Benutzers anhand einer Schätzung des Gefährdungsgrads unter den tatsächlichen Benutzungsbedingungen (unter Berücksichtigung aller Phasen des Arbeitszyklus, wie z. B. Ausschalt- und Leerlaufzeiten des Werkzeugs zusätzlich zur Betriebszeit).

### EG-Konformitätserklärung

*Nur für europäische Länder*

Die EU-Konformitätserklärung ist als Anhang A in dieser Bedienungsanleitung enthalten.

## SICHERHEITSWARNUNGEN

### Allgemeine Sicherheitswarnungen für Elektrowerkzeuge

**⚠️ WARNUNG:** Lesen Sie alle Sicherheitswarnungen und Anweisungen durch. Eine Missachtung der unten aufgeführten Warnungen und Anweisungen kann zu einem elektrischen Schlag, Brand und/oder schweren Verletzungen führen.

### Bewahren Sie alle Warnungen und Anweisungen für spätere Bezugnahme auf.

Der Ausdruck „Elektrowerkzeug“ in den Warnhinweisen bezieht sich auf Ihr mit Netzstrom (mit Kabel) oder Akku (ohne Kabel) betriebenes Elektrowerkzeug.

## Sicherheitswarnungen für Akku Fliesen- und Glas-Schneider

1. Die mit dem Werkzeug gelieferte Schutzhaube muss sicher am Elektrowerkzeug befestigt und für maximale Sicherheit positioniert werden, um das Gefahrenpotenzial der Trennscheibe für die Bedienungsperson minimal zu halten. Achten Sie darauf, dass Sie selbst und Umstehende nicht in der Ebene der rotierenden Trennscheibe stehen. Die Schutzhaube schützt den Bediener vor Trennscheiben-Bruchstücken und versehentlichem Kontakt mit der Trennscheibe.
2. Verwenden Sie nur **Diamant-Trennscheiben für Ihr Elektrowerkzeug**. Die bloße Tatsache, dass ein Zubehörteil an Ihrem Elektrowerkzeug angebracht werden kann, gewährleistet noch keinen sicheren Betrieb.
3. Die **Nenn Drehzahl des Zubehörteils muss mindestens der am Elektrowerkzeug angegebenen Maximaldrehzahl entsprechen**. Zubehörteile, die schneller als ihre Nenn Drehzahl rotieren, können bersten und auseinander fliegen.
4. **Scheiben dürfen nur für empfohlene Anwendungen eingesetzt werden. Zum Beispiel: Nicht mit der Seite einer Trennscheibe schleifen**. Da Trennschleifscheiben für Peripherieschleifen vorgesehen sind, können sie durch seitlich einwirkende Kräfte zerschmettert werden.
5. **Verwenden Sie stets unbeschädigte Scheibenflansche des korrekten Durchmessers für die ausgewählte Trennscheibe**. Korrekte Scheibenflansche stützen die Trennscheibe und reduzieren somit die Möglichkeit eines Scheibenbruchs.
6. **Außendurchmesser und Dicke des Zubehörteils müssen innerhalb der Kapazitätsgrenzen Ihres Elektrowerkzeugs liegen**. Zubehörteile der falschen Größe können nicht angemessen geschützt oder kontrolliert werden.
7. **Die Spindelbohrung von Trennscheiben und Flanschen muss genau der Spindel des Elektrowerkzeugs angepasst sein**. Trennscheiben und Flansche, deren Spindelbohrung nicht genau auf den Montageflansch des Elektrowerkzeugs passt, laufen unruhig, vibrieren übermäßig und können einen Verlust der Kontrolle verursachen.
8. **Verwenden Sie keine beschädigten Trennscheiben. Überprüfen Sie die Trennscheiben vor jeder Benutzung auf Absplittierungen und Risse. Falls das Elektrowerkzeug oder die Trennscheibe herunterfällt, überprüfen Sie das Teil auf Beschädigung, oder montieren Sie eine unbeschädigte Trennscheibe. Achten Sie nach der Überprüfung und Installation der Trennscheibe darauf, dass Sie selbst und Umstehende nicht in der Rotationsebene der Trennscheibe stehen, und lassen Sie das Elektrowerkzeug eine Minute lang mit maximaler Leerlaufdrehzahl laufen**. Beschädigte Trennscheiben brechen normalerweise während dieses Probelaufs auseinander.
9. **Tragen Sie persönliche Schutzausrüstung. Benutzen Sie je nach der Arbeit einen Gesichtsschutz bzw. eine Sicherheits- oder Schutzbrille. Tragen Sie bei Bedarf eine Staubmaske, Ohrenschützer, Handschuhe und eine Arbeitsschürze, die in der Lage ist, kleine Schleifpartikel oder Werkstücksplitter abzuwehren**. Der Augenschutz muss in der Lage sein, den bei verschiedenen Arbeiten anfallenden Flugstaub abzuwehren. Die Staubmaske oder Atemschutzmaske muss in der Lage sein, durch die Arbeit erzeugte Partikel herauszufiltern. Lang anhaltende Lärmbelastung kann zu Gehörschäden führen.
10. **Halten Sie Umstehende in sicherem Abstand vom Arbeitsbereich. Jeder, der den Arbeitsbereich betritt, muss persönliche Schutzausrüstung tragen**. Bruchstücke des Werkstücks oder einer beschädigten Trennscheibe können weggeschleudert werden und Verletzungen über den unmittelbaren Arbeitsbereich hinaus verursachen.
11. **Halten Sie das Elektrowerkzeug nur an den isolierten Griffflächen, wenn Sie Arbeiten ausführen, bei denen die Gefahr besteht, dass das Schneidzubehör verborgene Kabel kontaktiert**. Bei Kontakt mit einem Strom führenden Kabel können die freiliegenden Metallteile des Elektrowerkzeugs ebenfalls Strom führend werden, so dass der Benutzer einen elektrischen Schlag erleiden kann.
12. **Halten Sie das Kabel vom rotierenden Zubehörteil fern**. Falls Sie die Kontrolle verlieren, kann das Kabel durchgetrennt oder erfasst werden, so dass Ihre Hand oder Ihr Arm in die rotierende Trennscheibe hineingezogen wird.
13. **Legen Sie das Elektrowerkzeug erst ab, nachdem das Zubehörteil zum vollständigen Stillstand gekommen ist**. Anderenfalls kann die rotierende Trennscheibe die Oberfläche erfassen und das Elektrowerkzeug aus Ihren Händen reißen.
14. **Lassen Sie das Elektrowerkzeug nicht laufen, während Sie es an Ihrer Seite tragen**. Das rotierende Zubehörteil könnte sonst bei versehentlichem Kontakt Ihre Kleidung erfassen und auf Ihren Körper zu gezogen werden.
15. **Reinigen Sie die Ventilationsöffnungen des Elektrowerkzeugs regelmäßig**. Der Lüfter des Motors saugt Staub in das Gehäuse an, und starke Ablagerungen von Metallstaub können elektrische Gefahren verursachen.
16. **Betreiben Sie das Elektrowerkzeug nicht in der Nähe von brennbaren Materialien**. Funken könnten diese Materialien entzünden.

### Warnungen vor Rückschlag und damit zusammenhängenden Gefahren

Rückschlag ist eine plötzliche Reaktion auf eine eingeklemmte oder stockende Trennscheibe. Klemmen oder Hängenbleiben verursacht sofortiges Stocken der rotierenden Trennscheibe, was wiederum dazu führt, dass das außer Kontrolle geratene Elektrowerkzeug am Stockpunkt in die entgegengesetzte Drehrichtung der Trennscheibe geschleudert wird.

Wenn beispielsweise eine Schleifscheibe vom Werkstück erfasst oder eingeklemmt wird, kann sich die

in der Klemmpunkt einbringende Schleifscheibenkante in die Materialoberfläche bohren, so dass sie heraus-springt oder zurückschlägt. Je nach der Drehrichtung der Schleifscheibe am Klemmpunkt kann die Schleifscheibe auf die Bedienungsperson zu oder von ihr weg springen. Schleifscheiben können unter solchen Bedingungen auch brechen.

Rückschlag ist das Resultat falscher Handhabung des Elektrowerkzeugs und/oder falscher Arbeitsverfahren oder -bedingungen und kann durch Anwendung der nach-stehenden Vorsichtsmaßnahmen vermieden werden.

1. **Halten Sie das Elektrowerkzeug mit festem Griff, und positionieren Sie Ihren Körper und Arm so, dass Sie die Rückschlagkräfte auffangen können. Benutzen Sie stets den Zusatzgriff, wenn vorhanden, um maxi-male Kontrolle über Rückschlag oder Drehbewegungen während des Anlaufs zu haben.** Drehbewegungen oder Rückschlagkräfte können kontrolliert werden, wenn entsprechende Vorkehrungen getroffen werden.
2. **Legen Sie Ihre Hand niemals in die Nähe des rotierenden Zubehöerteils.** Bei einem Rückschlag könnte das Zubehöerteil Ihre Hand verletzen.
3. **Stellen Sie sich nicht so, dass sich Ihr Körper in einer Linie mit der rotierenden Trennscheibe befindet.** Der Rückschlag schleudert das Werkzeug am Stockpunkt in die entgegengesetzte Drehrichtung der Trennscheibe.
4. **Lassen Sie beim Bearbeiten von Ecken und scharfen Kanten usw. besondere Vorsicht walten. Vermeiden Sie Anstoßen und Verhaken des Zubehöerteils.** Ecken, scharfe Kanten oder Anstoßen führen leicht zu Hängenbleiben des rotierenden Zubehöerteils und verursachen Verlust der Kontrolle oder Rückschlag.
5. **Bringen Sie keine Sägeketten, Holzfräsen, Segment-Diamantscheiben mit einem Randspalt von mehr als 10 mm oder gezahnte Sägeblätter an.** Solche Blätter verursachen häu-fige Rückschläge und Verlust der Kontrolle.
6. **Vermeiden Sie „Verkanten“ der Trennscheibe oder die Ausübung übermäßigen Drucks. Versuchen Sie nicht, übermäßig tiefe Schnitte zu machen.** Überbeanspruchung der Trennscheibe erhöht die Belastung und die Empfänglichkeit für Verdrehen oder Klemmen der Trennscheibe im Schnitt sowie die Möglichkeit von Rückschlag oder Scheibenbruch.
7. **Falls die Trennscheibe klemmt oder der Schnitt aus irgendeinem Grund unterbrochen wird, schalten Sie das Elektrowerkzeug aus und halten Sie es bewegungslos im Werkstück, bis die Trennscheibe zum völligen Stillstand kommt. Versuchen Sie auf keinen Fall, die rotierende Trennscheibe aus dem Schnitt zu entfernen, weil sonst ein Rückschlag auftreten kann.** Nehmen Sie eine Überprüfung vor, und treffen Sie Abhilfemaßnahmen, um die Ursache von Trennscheiben-Klemmen zu beseitigen.
8. **Setzen Sie den Schnittbetrieb nicht mit im Werkstück fort. Führen Sie die Trennscheibe vorsichtig in den Schnitt ein, nachdem sie die volle Drehzahl erreicht hat.** Wird das Elektrowerkzeug mit im Werkstück sitzender Trennscheibe eingeschaltet, kann die Trennscheibe klemmen, hochsteigen oder zurückschlagen.

9. **Stützen Sie Platten oder andere übergroße Werkstücke ab, um die Gefahr von Klemmen oder Rückschlag der Trennscheibe zu mini-mieren.** Große Werkstücke neigen dazu, unter ihrem Eigengewicht durchzuhängen. Die Stützen müssen beidseitig der Trennscheibe nahe der Schnittlinie und in der Nähe der Werkstückkante unter das Werkstück platziert werden.
10. **Lassen Sie besondere Vorsicht walten, wenn Sie einen „Taschenschnitt“ in bestehende Wände oder andere Blindflächen durchführen.** Die vorstehende Trennscheibe kann Gas- oder Wasserleitungen, Stromkabel oder Objekte durch-schneiden, die Rückschlag verursachen können.

#### Zusätzliche Sicherheitswarnungen:

1. **Bevor Sie eine Segment-Diamantscheibe verwenden, vergewissern Sie sich, dass die Diamantscheibe einen Randspalt zwischen den Segmenten von maximal 10 mm hat, und nur einen negativen Spanwinkel aufweist.**
2. **Versuchen Sie niemals, das Werkzeug zum Schneiden verkehrt herum in einen Schraubstock einzuspannen. Dies ist sehr gefährlich und kann zu schweren Unfällen führen.**
3. **Manche Materialien können giftige Chemikalien enthalten. Treffen Sie Vorsichtsmaßnahmen, um das Einatmen von Arbeitsstaub und Hautkontakt zu ver-hüten. Befolgen Sie die Sicherheitsdaten des Materialherstellers.**
4. **Lagern Sie Trennscheiben gemäß Herstellerempfehlung. Falsche Lagerung kann die Trennscheiben beschädigen.**

## DIESE ANWEISUNGEN AUFBEWAHREN.

**⚠️ WARNUNG:** Lassen Sie sich NICHT durch Bequemlichkeit oder Vertrautheit mit dem Produkt (durch wiederholten Gebrauch erworben) von der strikten Einhaltung der Sicherheitsregeln für das vorliegende Produkt abhalten. MISSBRAUCH oder Missachtung der Sicherheitsvorschriften in dieser Anleitung können schwere Personenschäden verursachen.

## Wichtige Sicherheitsanweisungen für Akku

1. **Lesen Sie vor der Benutzung des Akkus alle Anweisungen und Warnhinweise, die an (1) Ladegerät, (2) Akku und (3) Akkuwerkzeug angebracht sind.**
2. **Unterlassen Sie ein Zerlegen des Akkus.**
3. **Falls die Betriebszeit beträchtlich kürzer geworden ist, stellen Sie den Betrieb sofort ein. Anderenfalls besteht die Gefahr von Überhitzung, möglichen Verbrennungen und sogar einer Explosion.**
4. **Falls Elektrolyt in Ihre Augen gelangt, waschen Sie sie mit sauberem Wasser aus, und begeben Sie sich unverzüglich in ärztliche Behandlung. Anderenfalls können Sie Ihre Sehkraft verlieren.**

5. Der Akku darf nicht kurzgeschlossen werden:
- (1) Die Kontakte dürfen nicht mit leitfähigem Material berührt werden.
  - (2) Lagern Sie den Akku nicht in einem Behälter zusammen mit anderen Metallgegenständen, wie z. B. Nägel, Münzen usw.
  - (3) Setzen Sie den Akku weder Wasser noch Regen aus.

Ein Kurzschluss des Akkus verursacht starken Stromfluss, der Überhitzung, mögliche Verbrennungen und einen Defekt zur Folge haben kann.

6. Lagern Sie das Werkzeug und den Akku nicht an Orten, an denen die Temperatur 50 °C erreichen oder überschreiten kann.
7. Versuchen Sie niemals, den Akku zu verbrennen, selbst wenn er stark beschädigt oder vollkommen verbraucht ist. Der Akku kann im Feuer explodieren.
8. Achten Sie darauf, dass der Akku nicht fallen gelassen oder Stößen ausgesetzt wird.
9. Benutzen Sie keine beschädigten Akkus.
10. Die enthaltenen Lithium-Ionen-Akkus unterliegen den Anforderungen der Gefahrengut-Gesetzgebung.  
Für kommerzielle Transporte, z. B. durch Dritte oder Spediteure, müssen besondere Anforderungen zu Verpackung und Etikettierung beachtet werden.  
Zur Vorbereitung des zu transportierenden Artikels ist eine Beratung durch einen Experten für Gefahrengut erforderlich. Bitte beachten Sie möglicherweise ausführlichere nationale Vorschriften. Überkleben oder verdecken Sie offene Kontakte, und verpacken Sie den Akku so, dass er sich in der Verpackung nicht umher bewegen kann.
11. Befolgen Sie die örtlichen Bestimmungen bezüglich der Entsorgung von Akkus.

## DIESE ANWEISUNGEN AUFBEWAHREN.

**⚠ VORSICHT:** Verwenden Sie nur Original-Makita-Akkus. Die Verwendung von Nicht-Original-Makita-Akkus oder von Akkus, die abgeändert worden sind, kann zum Bersten des Akkus und daraus resultierenden Bränden, Personenschäden und Beschädigung führen. Außerdem wird dadurch die Makita-Garantie für das Makita-Werkzeug und -Ladegerät ungültig.

## Hinweise zur Aufrechterhaltung der maximalen Akku-Nutzungsdauer

1. Laden Sie den Akku, bevor er vollkommen erschöpft ist. Schalten Sie das Werkzeug stets aus, und laden Sie den Akku, wenn Sie ein Nachlassen der Werkzeulleistung feststellen.
2. Unterlassen Sie erneutes Laden eines voll aufgeladenen Akkus. Überladen führt zu einer Verkürzung der Nutzungsdauer des Akkus.
3. Laden Sie den Akku bei Raumtemperatur zwischen 10 – 40 °C. Lassen Sie einen heißen Akku abkühlen, bevor Sie ihn laden.

## FUNKTIONSBESCHREIBUNG

**⚠ VORSICHT:** Vergewissern Sie sich vor der Durchführung von Einstellungen oder Funktionsprüfungen des Werkzeugs stets, dass das Werkzeug ausgeschaltet und der Akku abgenommen ist.

## Anbringen und Abnehmen des Akkus

**⚠ VORSICHT:** Schalten Sie das Werkzeug stets aus, bevor Sie den Akku anbringen oder abnehmen.

**⚠ VORSICHT:** Halten Sie das Werkzeug und den Akku beim Anbringen oder Abnehmen des Akkus sicher fest. Wenn Sie das Werkzeug und den Akku nicht sicher festhalten, können sie Ihnen aus der Hand rutschen, was zu einer Beschädigung des Werkzeugs und des Akkus und zu Körperverletzungen führen kann.

► **Abb.1:** 1. Rote Anzeige 2. Knopf 3. Akku

Ziehen Sie den Akku zum Abnehmen vom Werkzeug ab, während Sie den Knopf an der Vorderseite des Akkus verschieben.

Richten Sie zum Anbringen des Akkus dessen Führungsfeder auf die Nut im Gehäuse aus, und schieben Sie den Akku hinein. Schieben Sie ihn vollständig ein, bis er mit einem hörbaren Klicken einrastet. Falls die rote Anzeige an der Oberseite des Knopfes sichtbar ist, ist der Akku nicht vollständig verriegelt.

**⚠ VORSICHT:** Schieben Sie den Akku stets bis zum Anschlag ein, bis die rote Anzeige nicht mehr sichtbar ist. Anderenfalls kann er aus dem Werkzeug herausfallen und Sie oder umstehende Personen verletzen.

**⚠ VORSICHT:** Unterlassen Sie Gewaltanwendung beim Anbringen des Akkus. Falls der Akku nicht reibungslos hineingleitet, ist er nicht richtig ausgerichtet.

## Akku-Schutzsystem

Das Werkzeug ist mit einem Akku-Schutzsystem ausgestattet. Dieses System schaltet die Stromversorgung des Motors automatisch ab, um die Akku-Lebensdauer zu verlängern.

Das Werkzeug schaltet sich während des Betriebs automatisch ab, wenn Werkzeug und/oder Akku einer der folgenden Bedingungen unterliegen:

### Überlastung:

Das Werkzeug wird auf eine Weise benutzt, die eine ungewöhnlich hohe Stromaufnahme bewirkt. Schalten Sie in dieser Situation das Werkzeug aus, und brechen Sie die Arbeit ab, die eine Überlastung des Werkzeugs verursacht hat. Schalten Sie dann das Werkzeug wieder ein, um neu zu starten. Falls das Werkzeug nicht startet, ist der Akku überhitzt. Lassen Sie den Akku in dieser Situation abkühlen, bevor Sie das Werkzeug wieder einschalten.

## Niedrige Akkukapazität









Die Akku-Restkapazität ist zu niedrig, und das Werkzeug funktioniert nicht. Wenn Sie das Werkzeug einschalten, läuft der Motor wieder an, bleibt aber bald darauf stehen. Nehmen Sie in dieser Situation den Akku ab, und laden Sie ihn auf.

## Anzeigen der Akku-Restkapazität

Nur für Akkus mit „B“ am Ende der Modellnummer

► **Abb.2:** 1. Anzeigelampen 2. Prüftaste

Drücken Sie die Prüftaste am Akku, um die Akku-Restkapazität anzuzeigen. Die Anzeigelampen leuchten wenige Sekunden lang auf.

Anzeigelampen		Restkapazität
Erluchtet	Aus	
		75% bis 100%
		50% bis 75%
		25% bis 50%
		0% bis 25%

**HINWEIS:** Abhängig von den Benutzungsbedingungen und der Umgebungstemperatur kann die Anzeige geringfügig von der tatsächlichen Kapazität abweichen.

## Einstellen der Schnittiefe

**⚠ VORSICHT:** Ziehen Sie die Klemmschraube nach der Einstellung der Schnittiefe stets fest an.

► **Abb.3:** 1. Klemmschraube 2. Tiefenführung

Lösen Sie die Klemmschraube an der Tiefenführung, und bewegen Sie die Grundplatte nach oben oder unten. Arretieren Sie die Grundplatte an der gewünschten Schnittiefe durch Festziehen der Klemmschraube.

## Neigungsschnitt

► **Abb.4:** 1. Klemmschraube  
2. Neigungswinkelskalenplatte

Lösen Sie die Klemmschraube an der Neigungswinkelskalenplatte auf der Vorderseite der Grundplatte. Stellen Sie den gewünschten Winkel (0° - 45°) durch entsprechendes Neigen ein, und ziehen Sie dann die Klemmschraube sicher fest.

## Schnittmarkierung

► **Abb.5:** 1. Schnittlinie

Richten Sie für Geradschnitte die Position A auf der Vorderseite der Grundplatte auf die Schnittlinie aus. Richten Sie für 45°-Neigungsschnitte die Position B auf die Linie aus.

## Schaltefunktion

**⚠ VORSICHT:** Vergewissern Sie sich vor dem Einsetzen des Akkus in das Werkzeug stets, dass der Ein-Aus-Schalter ordnungsgemäß funktioniert und beim Loslassen in die AUS-Stellung zurückkehrt.

**⚠ VORSICHT:** Betätigen Sie den Ein-Aus-Schalter nicht gewaltsam, ohne den Einschaltsperrhebel zu drücken. Dies kann zu Beschädigung des Schalters führen.

► **Abb.6:** 1. Einschaltsperrhebel 2. Ein-Aus-Schalter

Um versehentliche Betätigung des Ein-Aus-Schalters zu verhüten, ist das Werkzeug mit einem Einschaltsperrhebel ausgestattet. Zum Starten des Werkzeugs betätigen Sie den Ein-Aus-Schalter bei gedrücktem Einschaltsperrhebel. Zum Ausschalten lassen Sie den Ein-Aus-Schalter los.

## MONTAGE

**⚠ VORSICHT:** Vergewissern Sie sich vor der Ausführung von Arbeiten am Werkzeug stets, dass das Werkzeug ausgeschaltet und der Akku abgenommen ist.

## Anbringen oder Abnehmen einer Diamantscheibe

**⚠ VORSICHT:** Verwenden Sie nur den Makita-Schraubenschlüssel zum Montieren und Demontieren von Diamantscheiben.

**⚠ VORSICHT:** Ziehen Sie die Schraube beim Montieren der Diamantscheibe sicher fest.

**⚠ VORSICHT:** Montieren Sie die Diamantscheibe stets so, dass der Pfeil auf der Scheibe in die gleiche Richtung zeigt wie der Pfeil auf dem Diamantscheibengehäuse. Anderenfalls dreht sich die Scheibe rückwärts, wodurch Personenschäden verursacht werden können.

► **Abb.7:** 1. Spindelarretierung 2. Inbusschlüssel  
3. Anziehen 4. Lösen

► **Abb.8:** 1. Innensechskantschraube 2. Außenflansch  
3. Diamantscheibe 4. Innenflansch 5. Pfeil

Drücken Sie die Spindelarretierung zum Demontieren der Diamantscheibe bis zum Anschlag, um die Diamantscheibe am Drehen zu hindern, und lösen Sie dann die Innensechskantschraube mit dem Inbusschlüssel durch Drehen entgegen dem Uhrzeigersinn. Entfernen Sie dann Innensechskantschraube, Außenflansch und Diamantscheibe.

Wenden Sie zur Montage der Diamantscheibe das Demontageverfahren umgekehrt an. Montieren Sie die Diamantscheibe unbedingt so, dass der Pfeil auf der Scheibe in die gleiche Richtung zeigt wie der Pfeil auf dem Diamantscheibengehäuse.

**DIE INNENSECHSKANTSCHRAUBE SICHER FESTZIEHEN.**

- **Abb.9:** 1. Innenflansch 2. Außenflansch 3. Diamantscheibe 4. Innenflansch 5. Vorsprung (größere Seite)

**HINWEIS:** Falls der Innenflansch versehentlich entfernt wird, montieren Sie den Innenflansch so, dass sein Vorsprung (größere Seite) innen liegt, wie in der Abbildung gezeigt.

## Aufbewahrung des Inbusschlüssels

- **Abb.10:** 1. Inbusschlüssel

Der Inbusschlüssel kann an der in der Abbildung gezeigten Stelle aufbewahrt werden, damit er nicht verloren geht.

## Installieren der Wasserversorgung

Lösen Sie die Schraube A.

Schieben Sie den Tankhalter ganz über das Motorgehäuse, so dass sich die Kerbe des Bands (Teil des Tankhalters) genau unterhalb des Schraubenkopfes des Werkzeugs befindet, wie abgebildet.

Ziehen Sie dann die Schraube A an.

- **Abb.11:** 1. Schraube A 2. Tankhalter 3. Motorgehäuse 4. Kerbe des Bands (Teil des Tankhalters) 5. Schraubenkopf des Werkzeugs

Befestigen Sie den Tank am Tankhalter, so dass der Tankhalter zwischen der Stufe und den Punkten sitzt. Verbinden Sie die Kappe am Rohrleitungsende mit der Öffnung des Tanks. Drehen Sie den Tank im Uhrzeigersinn. Ziehen Sie dann die Schraube B an.

- **Abb.12:** 1. Tank 2. Rohrleitung 3. Schraube B

## Wasserversorgung

**⚠ VORSICHT:** Achten Sie beim Füllen des Tanks mit Wasser darauf, dass das Werkzeug nicht nass wird.

Vergewissern Sie sich, dass der Wasseranschlusshahn geschlossen ist, bevor Sie den Tank mit Wasser füllen. Öffnen Sie die Kappe am Tank, und füllen Sie Wasser ein. Bringen Sie die Kappe wieder am Tank an.

- **Abb.13:** 1. Wasseranschlusshahn 2. Schließen 3. Öffnen

- **Abb.14:** 1. Kappe 2. Öffnen

# BETRIEB

**⚠ VORSICHT:** Dieses Werkzeug sollte nur auf horizontalen Oberflächen verwendet werden.

**⚠ VORSICHT:** Halten Sie das Werkstück während der Arbeit unbedingt fest auf einer stabilen Werkbank oder einem Tisch nieder.

**⚠ VORSICHT:** Unterlassen Sie Verdrehen oder Forcieren des Werkzeugs im Schnitt, weil sonst der Motor überlastet werden oder das Werkstück brechen kann.

**⚠ VORSICHT:** Benutzen Sie das Werkzeug mit der Diamantscheibe nicht in einer aufrechten oder seitlichen Position.

**⚠ VORSICHT:** Bei der Trennscheibe für dieses Werkzeug handelt es sich um eine Nass-Diamantscheibe für Glas- und Kachelanwendungen. Führen Sie der Diamantscheibe während der Arbeit unbedingt Wasser zu.

**⚠ VORSICHT:** Wenn die Schneidleistung der Diamantscheibe nachzulassen beginnt, verwenden Sie eine alte, ausrangierte, grobkörnige Schleifscheibe oder einen Betonklotz, um die Schneidkante der Scheibe abzurichten. Drücken Sie zum Abrichten leicht auf die Außenkante der Diamantscheibe.

- **Abb.15**

Halten Sie das Werkzeug mit festem Griff. Setzen Sie die Grundplatte auf das zu schneidende Werkstück auf, ohne dass die Trennscheibe mit dem Werkstück in Berührung kommt.

Schalten Sie dann das Werkzeug ein, und warten Sie, bis die Trennscheibe die volle Drehzahl erreicht hat. Führen Sie der Trennscheibe Wasser zu, indem Sie den Wasseranschlusshahn drehen, um einen sanften Wasserfluss zu erhalten.

Schieben Sie das Werkzeug flach und gleichmäßig über die Werkstückoberfläche vorwärts, bis der Schnitt vollendet ist. Halten Sie eine gerade Schnittlinie und eine gleichmäßige Vorschubgeschwindigkeit ein.

Verringern Sie die Schnittgeschwindigkeit, um feine, saubere Schnitte zu erhalten. (Schneiden Sie eine Glasplatte von 5 mm Dicke mit einer Schnittgeschwindigkeit von etwa 250 mm/min. Schneiden Sie eine Kachel von 10 mm Dicke mit einer Schnittgeschwindigkeit von etwa 300 mm/min.) Verringern Sie die Schnittgeschwindigkeit auch kurz vor der Vervollendung eines Schnitts, um Brechen oder Reißen des in Bearbeitung befindlichen Werkstücks zu vermeiden.

**HINWEIS:** Bei kaltem Akku entfaltet das Werkzeug eventuell nicht seine volle Kapazität. Benutzen Sie das Werkzeug während dieser Phase eine Zeitlang nur für leichte Schnitte, bis sich der Akku auf Raumtemperatur erwärmt hat. Dann kann das Werkzeug seine volle Kapazität entfalten.

**HINWEIS:** Vergewissern Sie sich vor der Arbeit, dass der Wasseranschlusshahn geschlossen ist.

## WARTUNG

**⚠ VORSICHT:** Vergewissern Sie sich vor der Durchführung von Inspektions- oder Wartungsarbeiten stets, dass das Werkzeug ausgeschaltet und der Akku abgenommen ist.

**ANMERKUNG:** Verwenden Sie auf keinen Fall Benzin, Waschbenzin, Verdünnern, Alkohol oder dergleichen. Solche Mittel können Verfärbung, Verformung oder Rissbildung verursachen.

Um die SICHERHEIT und ZUVERLÄSSIGKEIT dieses Produkts zu gewährleisten, sollten Reparaturen und andere Wartungs- oder Einstellarbeiten nur von Makita-Vertragswerkstätten oder Makita-Kundendienstzentren unter ausschließlicher Verwendung von Makita-Originalersatzteilen ausgeführt werden.

## SONDERZUBEHÖR

**⚠ VORSICHT:** Die folgenden Zubehörteile oder Vorrichtungen werden für den Einsatz mit dem in dieser Anleitung beschriebenen Makita-Werkzeug empfohlen. Die Verwendung anderer Zubehörteile oder Vorrichtungen kann eine Verletzungsgefahr darstellen. Verwenden Sie Zubehörteile oder Vorrichtungen nur für ihren vorgesehenen Zweck.

Wenn Sie weitere Einzelheiten bezüglich dieser Zubehörteile benötigen, wenden Sie sich bitte an Ihre Makita-Kundendienststelle.

- Diamantscheiben
- Inbusschlüssel
- Original-Makita-Akku und -Ladegerät

**HINWEIS:** Manche Teile in der Liste können als Standardzubehör im Werkzeugsatz enthalten sein. Sie können von Land zu Land unterschiedlich sein.

## DATI TECNICI

<b>Modello:</b>		<b>CC301D</b>
Diametro disco diamantato		85 mm
Spessore max disco		0,8 mm
Profondità max di taglio	a un'angolazione di taglio a unghia di 0°	25,5 mm
	a un'angolazione di taglio a unghia di 45°	16,5 mm
Velocità nominale		1.500 min <sup>-1</sup>
Tensione nominale		10,8 V CC
Cartuccia della batteria	BL1015, BL1020B	BL1040B
Lunghezza complessiva	313 mm	331 mm
Peso netto	1,8 kg	1,9 kg

- A causa del nostro programma continuativo di ricerca e sviluppo, i dati tecnici sono soggetti a modifiche senza preavviso.
- I dati tecnici e la cartuccia della batteria potrebbero differire da nazione a nazione.
- Peso, con cartuccia della batteria, secondo la Procedura EPTA 01/2003

### Utilizzo previsto

Il presente utensile è progettato per il taglio di vetro e materiali per muratura con disco diamantato e acqua.

### Rumore

Livello tipico di rumore pesato A determinato in base allo standard EN60745:

Livello di pressione sonora ( $L_{pA}$ ) : 84 dB (A)

Livello di potenza sonora ( $L_{WA}$ ) : 95 dB (A)

Incertezza (K): 3 dB (A)

**⚠AVVERTIMENTO:** Indossare protezioni per le orecchie.

### Vibrazioni

Valore totale delle vibrazioni (somma vettoriale triassiale) determinato in base allo standard EN60745:

Modalità di lavoro: taglio di calcestruzzo

Emissione di vibrazioni ( $a_{hv}$ ) : 2,5 m/s<sup>2</sup> o inferiore

Incertezza (K): 1,5 m/s<sup>2</sup>

**NOTA:** Il valore di emissione delle vibrazioni dichiarato è stato misurato in conformità al metodo standard di verifica, e può essere utilizzato per confrontare un utensile con un altro.

**NOTA:** Il valore di emissione delle vibrazioni dichiarato può venire utilizzato anche per una valutazione preliminare dell'esposizione.

**⚠AVVERTIMENTO:** L'emissione delle vibrazioni durante l'utilizzo effettivo dell'utensile elettrico può variare rispetto al valore di emissione dichiarato, a seconda dei modi in cui viene utilizzato l'utensile.

**⚠AVVERTIMENTO:** Accertarsi di identificare le misure di sicurezza per la protezione dell'operatore basate sulla stima dell'esposizione nelle condizioni effettive di utilizzo (tenendo presente tutte le parti del ciclo operativo, ad esempio le volte in cui l'utensile viene spento e quando gira a vuoto, oltre al tempo di attivazione).

### Dichiarazione di conformità CE

*Solo per i paesi europei*

La dichiarazione di conformità UE è inclusa nell'Allegato A al presente manuale di istruzioni.

## AVVERTENZE DI SICUREZZA

### Avvertenze generali relative alla sicurezza dell'utensile elettrico

**⚠AVVERTIMENTO:** Leggere tutte le avvertenze relative alla sicurezza e tutte le istruzioni. La mancata osservanza delle avvertenze e delle istruzioni può risultare in scosse elettriche, incendi e/o gravi lesioni personali.



# Conservare tutte le avvertenze e le istruzioni come riferimento futuro.

Il termine "utensile elettrico" nelle avvertenze si riferisce sia all'utensile elettrico (cablato) nel funzionamento alimentato da rete elettrica che all'utensile elettrico (a batteria) nel funzionamento alimentato a batteria.

## Avvertenze di sicurezza relative alla taglierina a batteria

- La protezione fornita con l'utensile deve essere fissata saldamente all'utensile elettrico ed essere posizionata per la massima sicurezza, in modo da esporre la minima parte del disco verso l'operatore. Posizionare se stessi e gli astanti lontano dal piano del disco in rotazione.** La protezione aiuta a proteggere l'operatore dai frammenti di dischi rotti e dal contatto accidentale con il disco.
  - Per il presente utensile elettrico utilizzare esclusivamente mole a disco diamantate.** La possibilità di montare un accessorio sull'utensile elettrico non ne garantisce il funzionamento in sicurezza.
  - La velocità nominale dell'accessorio deve essere almeno pari alla velocità massima indicata sull'utensile elettrico.** Gli accessori che girano più velocemente della loro velocità nominale possono spaccarsi, e i frammenti possono venire scagliati via.
  - I dischi devono essere utilizzati esclusivamente per le applicazioni consigliate. Ad esempio: non smerigliare con il fianco della mola a disco.** Le mole a disco abrasive sono progettate per la smerigliatura periferica, e le forze laterali applicate a questi dischi potrebbero causarne la frammentazione.
  - Utilizzare sempre flange dei dischi non danneggiate con il diametro corretto per il disco selezionato.** Flange dei dischi corrette supportano i dischi, riducendo pertanto la possibilità di rottura dei dischi.
  - Il diametro esterno e lo spessore dell'accessorio utilizzato devono rispettare la capacità nominale dell'utensile elettrico utilizzato.** Non è possibile proteggere o controllare in modo appropriato accessori di dimensioni errate.
  - Le dimensioni dei fori per gli alberi di dischi e flange devono essere appropriate a quella del mandrino dell'utensile elettrico.** I dischi e le flange con fori per gli alberi che non coincidano con le misure degli attacchi di montaggio dell'utensile elettrico funzionano in modo sbilanciato, vibrano eccessivamente e potrebbero causare la perdita di controllo.
  - Non utilizzare dischi danneggiati. Prima di ciascun utilizzo, verificare l'eventuale presenza di scheggiature o spaccature sui dischi. Qualora l'utensile elettrico o il disco venga fatto cadere, verificare l'eventuale presenza di danni o installare un disco non danneggiato. Dopo aver ispezionato e installato il disco, posizionare se stessi e gli astanti lontano dal**
- piano di rotazione del disco, quindi far funzionare l'utensile elettrico alla massima velocità a vuoto per un minuto. I dischi danneggiati in genere si rompono, durante questo periodo di prova.
- Indossare un'attrezzatura di protezione personale. A seconda dell'applicazione, utilizzare una visiera, occhiali oppure occhiali di sicurezza. A seconda delle esigenze, indossare una mascherina antipolvere, protezioni per l'udito, guanti e un grembiule da officina in grado di arrestare piccoli frammenti abrasivi o dei pezzi in lavorazione.** La protezione per gli occhi deve essere in grado di arrestare detriti volanti causati da svariate operazioni. La mascherina antipolvere o il respiratore devono essere in grado di filtrare le particelle generate dall'operazione in corso. L'esposizione prolungata al rumore ad alta intensità potrebbe causare la perdita dell'udito.
  - Tenere gli astanti a distanza di sicurezza dall'area di lavoro. Chiunque entri nell'area di lavoro deve indossare l'attrezzatura di protezione personale.** I frammenti del pezzo in lavorazione o di un disco rotto potrebbero venire scagliati via e causare lesioni personali a una distanza superiore alle immediate vicinanze dell'operazione in corso.
  - Mantenere l'utensile elettrico solo per le superfici di impugnatura isolate quando si esegue un'operazione in cui l'accessorio da taglio potrebbe entrare in contatto con fili elettrici nascosti.** Un accessorio da taglio che entri in contatto con un filo elettrico sotto tensione potrebbe mettere sotto tensione le parti metalliche esposte dell'utensile elettrico e dare una scossa elettrica all'operatore.
  - Posizionare il cavo a distanza dall'accessorio in rotazione.** Qualora si perda il controllo dell'utensile, il cavo potrebbe venire tagliato o restare impigliato, e la mano o il braccio dell'operatore potrebbero venire tirati nel disco in rotazione.
  - Non appoggiare mai l'utensile elettrico finché l'accessorio non si è arrestato completamente.** Il disco in rotazione potrebbe far presa sulla superficie di appoggio e tirare l'utensile elettrico facendone perdere il controllo all'operatore.
  - Non far funzionare l'utensile elettrico mentre lo si trasporta sul proprio fianco.** Un contatto accidentale con l'accessorio in rotazione potrebbe far impigliare gli indumenti, tirando l'accessorio contro il corpo dell'operatore.
  - Pulire regolarmente le aperture di ventilazione dell'utensile elettrico.** La ventola del motore attira le polveri all'interno dell'alloggiamento, e l'accumulazione eccessiva di polvere metallica potrebbe causare pericoli di natura elettrica.
  - Non far funzionare l'utensile elettrico in prossimità di materiali infiammabili.** Le scintille potrebbero dare fuoco a tali materiali.

### Contraccollo e relative avvertenze

Il contraccollo è una reazione improvvisa a un disco in rotazione che resti incastrato o impigliato. Un disco in rotazione che resti incastrato o impigliato subisce un rapido stallo che, a sua volta, spinge l'utensile elettrico fuori controllo nella direzione opposta alla rotazione del disco nel punto di inceppamento.

Ad esempio, qualora un disco abrasivo resti incastrato o impigliato nel pezzo in lavorazione, il filo del disco che entra nel punto di inceppamento può scavare nella superficie del materiale, causando la fuoriuscita o il contraccolpo del disco verso l'esterno. Il disco potrebbe saltare verso l'operatore o lontano da quest'ultimo, a seconda della direzione del movimento del disco nel punto in cui si è incastrato. In queste condizioni, i dischi abrasivi potrebbero anche rompersi.

Il contraccolpo è il risultato dell'uso improprio dell'utensile elettrico e/o di procedure o condizioni operative errate, e può essere evitato adottando le precauzioni appropriate indicate di seguito.

1. **Mantenere una salda presa sull'utensile elettrico e posizionare il corpo e il braccio in modo da poter resistere alle forze dei contraccolpi. Per il massimo controllo dei contraccolpi o di reazioni di coppia durante l'avvio, utilizzare sempre la maniglia ausiliaria, se in dotazione.** L'operatore può controllare le reazioni di coppia o le forze dei contraccolpi, se adotta le precauzioni appropriate.
2. **Non posizionare mai le mani in prossimità dell'accessorio in rotazione.** L'accessorio potrebbe saltare all'indietro sulla mano per un contraccolpo.
3. **Non posizionare il corpo in linea con il disco che gira.** Un contraccolpo potrebbe lanciare l'utensile nella direzione opposta al movimento del disco sul punto in cui si è impigliato.
4. **Fare particolarmente attenzione quando si intende lavorare su angoli, bordi acuti, e così via. Evitare che l'accessorio rimbalzi o resti impigliato.** Gli angoli, i bordi acuti o i rimbalzi tendono a far impigliare l'accessorio in rotazione e a causare la perdita di controllo o il contraccolpo.
5. **Non montare catene per seghe, lame da intaglio per legno, dischi diamantati a settori con distanza periferica tra i settori superiore a 10 mm o lame dentate.** Queste lame causano frequenti contraccolpi e perdite di controllo.
6. **Non spingere forzatamente il disco o applicare una pressione eccessiva. Non tentare di realizzare tagli eccessivamente profondi.** La sollecitazione eccessiva del disco incrementa il carico e la suscettibilità alla torsione o all'inceppamento del disco nel taglio, nonché la possibilità di contraccolpi o di rottura del disco.
7. **Quando il disco si sta inceppando o quando si intende interrompere il taglio per un qualsiasi motivo, spegnere l'utensile elettrico e mantenerlo immobile fino all'arresto completo del disco. Non tentare mai di rimuovere il disco dal taglio mentre è in movimento; in caso contrario, si potrebbe verificare un contraccolpo.** Investigare e adottare misure correttive per eliminare la causa dell'inceppamento del disco.
8. **Non riavviare l'operazione di taglio all'interno del pezzo in lavorazione. Lasciare che il disco raggiunga la piena velocità e rientrare con attenzione nel taglio.** Qualora si riavvii l'utensile elettrico all'interno del pezzo in lavorazione, il disco potrebbe incepparsi, rialzarsi o dare un contraccolpo.

9. **Supportare i pannelli o qualsiasi pezzo in lavorazione di grandi dimensioni, per ridurre al minimo il rischio che il disco resti incastrato o causi contraccolpi.** I pezzi in lavorazione di grandi dimensioni tendono a curvarsi sotto il proprio peso. I supporti devono essere piazzati sotto il pezzo in lavorazione, vicini alla linea di taglio e in prossimità del bordo del pezzo in lavorazione, da entrambi i lati del disco.
10. **Fare particolarmente attenzione quando si esegue un taglio di cavità su pareti esistenti o altre aree cieche.** Il disco che sporge potrebbe tagliare tubi del gas o dell'acqua, cavi elettrici o oggetti che potrebbero causare contraccolpi.

**Avvertenze supplementari per la sicurezza:**

1. **Prima di utilizzare un disco diamantato a settori, accertarsi che il disco diamantato abbia una distanza periferica tra i settori non superiore a 10 mm, solo con angolo di spoglia negativo.**
2. **Non tentare mai di tagliare tenendo l'utensile capovolto serrato in una morsa.** Questa procedura può causare gravi incidenti, in quanto è estremamente pericolosa.
3. **Alcuni materiali contengono sostanze chimiche che potrebbero essere tossiche. Adottare precauzioni onde evitare l'inalazione e il contatto con la pelle delle polveri.** Attenersi ai dati relativi alla sicurezza del fornitore del materiale.
4. **Riporre i dischi attenendosi ai consigli del produttore.** La conservazione errata potrebbe danneggiare i dischi.

## CONSERVARE LE PRESENTI ISTRUZIONI.

**⚠AVVERTIMENTO:** NON lasciare che comoda o la familiarità d'utilizzo con il prodotto (acquisita con l'uso ripetuto) sostituisca la stretta osservanza delle norme di sicurezza per il prodotto in questione. L'USO IMPROPRIO o la mancata osservanza delle norme di sicurezza indicate nel presente manuale di istruzioni potrebbero causare gravi lesioni personali.

## Istruzioni di sicurezza importanti per la cartuccia della batteria

1. **Prima di utilizzare la cartuccia della batteria, leggere tutte le istruzioni e le avvertenze riportate (1) sul caricabatteria, (2) sulla batteria e (3) sul prodotto che utilizza la batteria.**
2. **Non smontare la cartuccia della batteria.**
3. **Qualora il tempo di utilizzo si riduca eccessivamente, interrompere immediatamente l'utilizzo dell'utensile.** In caso contrario, si può incorrere nel rischio di surriscaldamento, possibili ustioni e persino un'esplosione.
4. **Qualora l'elettrolita entri in contatto con gli occhi, sciacquarli con acqua pulita e richiedere immediatamente assistenza medica.** Questa eventualità può risultare nella perdita della vista.

5. Non cortocircuitare la cartuccia della batteria
  - (1) Non toccare i terminali con alcun materiale conduttivo.
  - (2) Evitare di conservare la cartuccia della batteria in un contenitore insieme ad altri oggetti metallici quali chiodi, monete, e così via.
  - (3) Non esporre la cartuccia della batteria all'acqua o alla pioggia.

Un cortocircuito della batteria può causare un grande flusso di corrente, un surriscaldamento, possibili ustioni e persino un guasto.

6. Non conservare l'utensile e la cartuccia della batteria in ubicazioni in cui la temperatura possa raggiungere o superare i 50°C.
7. Non incenerire la cartuccia della batteria anche qualora sia gravemente danneggiata o completamente esaurita. La cartuccia della batteria può esplodere se a contatto con il fuoco.
8. Fare attenzione a non far cadere e a non colpire la batteria.
9. Non utilizzare una batteria danneggiata.
10. Le batterie a ioni di litio contenute sono soggette ai requisiti del regolamento sul trasporto di merci pericolose (Dangerous Goods Legislation).

Per trasporti commerciali, ad esempio da parte di terzi o spedizionieri, è necessario osservare dei requisiti speciali sull'imballaggio e sull'etichetta. Per la preparazione dell'articolo da spedire, è richiesta la consulenza di un esperto in materiali pericolosi. Attenersi anche alle normative nazionali, che potrebbero essere più dettagliate. Nastrare o coprire i contatti aperti e imballare la batteria in modo tale che non si possa muovere liberamente all'interno dell'imballaggio.

11. Attenersi alle normative locali relative allo smaltimento della batteria.

## CONSERVARE LE PRESENTI ISTRUZIONI.

**ATTENZIONE:** Utilizzare solo batterie originali Makita. L'utilizzo di batterie Makita non originali, o di batterie che siano state alterate, potrebbe risultare nello scoppio della batteria, causando incendi, lesioni personali e danni. Inoltre, ciò potrebbe invalidare la garanzia Makita per l'utensile e il caricabatterie Makita.

## Suggerimenti per preservare la durata massima della batteria

1. Caricare la cartuccia della batteria prima che si scarichi completamente. Smettere sempre di utilizzare l'utensile e caricare la cartuccia della batteria quando si nota che la potenza dell'utensile è diminuita.
2. Non ricaricare mai una cartuccia della batteria completamente carica. La sovraccarica riduce la vita utile della batteria.
3. Caricare la cartuccia della batteria a una temperatura ambiente compresa tra 10°C e 40°C. Lasciar raffreddare una cartuccia della batteria prima di caricarla.

## DESCRIZIONE DELLE FUNZIONI

**ATTENZIONE:** Accertarsi sempre che l'utensile sia spento e che la cartuccia della batteria sia stata rimossa prima di regolare o di controllare il funzionamento dell'utensile.

## Installazione o rimozione della cartuccia della batteria

**ATTENZIONE:** Spegnerne sempre l'utensile prima di installare o rimuovere la cartuccia della batteria.

**ATTENZIONE:** Mantenere saldamente lo strumento e la batteria quando si intende installare o rimuovere la cartuccia della batteria. Qualora non si mantengano saldamente lo strumento e la cartuccia della batteria, questi ultimi potrebbero scivolare dalle mani, con la possibilità di causare un danneggiamento dello strumento e della cartuccia della batteria, nonché una lesione personale.

► Fig.1: 1. Indicatore rosso 2. Pulsante 3. Cartuccia della batteria

Per rimuovere la cartuccia della batteria, farla scorrere via dall'utensile mentre si fa scorrere allo stesso tempo il pulsante sulla parte anteriore della cartuccia.

Per installare la cartuccia della batteria, allineare l'appendice della batteria con la scanalatura nell'alloggiamento e farla scivolare in sede. Inserirli completamente fino al suo blocco in sede con un leggero scatto. Se è possibile vedere l'indicatore rosso sul lato superiore del pulsante, la batteria non è bloccata completamente.

**ATTENZIONE:** Installare sempre fino in fondo la cartuccia della batteria, fino a quando l'indicatore rosso non è più visibile. In caso contrario, la batteria potrebbe cadere accidentalmente dall'utensile, causando lesioni personali all'operatore o a chi gli è vicino.

**ATTENZIONE:** Non installare forzatamente la cartuccia della batteria. Qualora la batteria non si inserisca scorrendo agevolmente, vuol dire che non viene inserita correttamente.

## Sistema di protezione della batteria

L'utensile è dotato di un sistema di protezione della batteria. Questo sistema interrompe automaticamente l'alimentazione al motore per prolungare la vita utile della batteria.

L'utensile si arresta automaticamente durante il funzionamento qualora l'utensile stesso e/o la batteria vengano a trovarsi in una delle condizioni seguenti:

### Sovraccarico:

L'utensile viene utilizzato in modo tale da causare un assorbimento di corrente elevato in modo anomalo da parte dell'utensile stesso.

In questa situazione, spegnere l'utensile e interrompere l'applicazione che ha causato il sovraccarico dell'utensile. Quindi, accendere l'utensile per ricominciare. Qualora l'utensile non si avvii, la batteria è surriscaldata. In questa situazione, lasciar raffreddare la batteria prima di riaccendere l'utensile.

## Bassa tensione della batteria:

La carica residua della batteria è troppo bassa e non è possibile utilizzare l'utensile. Se si accende l'utensile, il motore gira di nuovo, ma si arresta dopo poco. In tal caso, rimuovere e ricaricare la batteria.

## Indicazione della carica residua della batteria

**Solo per le cartucce delle batterie con una "B" alla fine del numero del modello**

► **Fig.2:** 1. Indicatori luminosi 2. Pulsante di controllo

Premere il pulsante di controllo sulla cartuccia della batteria per indicare la carica residua della batteria. Gli indicatori luminosi si illuminano per alcuni secondi.

Indicatori luminosi		Carica residua
■ Illuminato	□ Spento	
■ ■ ■ ■		Dal 75% al 100%
■ ■ ■ □		Dal 50% al 75%
■ ■ □ □		Dal 25% al 50%
■ □ □ □		Dallo 0% al 25%

**NOTA:** A seconda delle condizioni d'uso e della temperatura ambiente, l'indicazione potrebbe variare leggermente rispetto alla carica effettiva.

## Regolazione della profondità di taglio

**ATTENZIONE:** Dopo aver regolato la profondità di taglio, serrare sempre saldamente la vite di fissaggio.

► **Fig.3:** 1. Vite di fissaggio 2. Guida di profondità

Allentare la vite di fissaggio sulla guida di profondità e spostare la base verso l'alto o verso il basso. Alla profondità di taglio desiderata, fissare la base serrando la vite di fissaggio.

## Tagli a unghia

► **Fig.4:** 1. Vite di fissaggio 2. Piastra della scala di smussatura

Allentare la vite di fissaggio sulla piastra della scala di smussatura sulla parte anteriore della base. Impostare l'angolo desiderato (0° - 45°) inclinando l'utensile di conseguenza, quindi serrare saldamente la vite di fissaggio.

## Allineamento

► **Fig.5:** 1. Linea di taglio

Per i tagli dritti, allineare la posizione A sulla parte anteriore della base con la linea di taglio desiderata. Per i tagli a unghia a 45°, allineare la posizione B con la linea di taglio.

## Funzionamento dell'interruttore

**ATTENZIONE:** Prima di inserire la cartuccia della batteria nell'utensile, controllare sempre che l'interruttore a grilletto funzioni correttamente e torni sulla posizione "OFF" quando viene rilasciato.

**ATTENZIONE:** Non premere con forza l'interruttore a grilletto senza tenere premuta la leva di sblocco. In caso contrario, si potrebbe causare la rottura dell'interruttore.

► **Fig.6:** 1. Leva di sblocco 2. Interruttore a grilletto

L'utensile è dotato di una leva di sblocco, per evitare di premere accidentalmente l'interruttore a grilletto. Per avviare l'utensile, far scorrere la leva di sblocco e premere l'interruttore a grilletto. Rilasciare l'interruttore a grilletto per arrestarlo.

## MONTAGGIO

**ATTENZIONE:** Accertarsi sempre che l'utensile sia spento e che la cartuccia della batteria sia stata rimossa, prima di effettuare qualsiasi intervento sull'utensile.

## Installazione o rimozione del disco diamantato

**ATTENZIONE:** Per l'installazione o la rimozione del disco diamantato, utilizzare esclusivamente la chiave Makita.

**ATTENZIONE:** Quando si intende installare il disco diamantato, accertarsi di serrare saldamente il bullone.

**ATTENZIONE:** Installare sempre il disco diamantato in modo che la freccia su quest'ultimo punti nella stessa direzione della freccia sulla cassa del disco diamantato. In caso contrario il disco ruota all'indietro, e potrebbe causare lesioni personali.

► **Fig.7:** 1. Blocco albero 2. Brugola 3. Per serrare 4. Per allentare

► **Fig.8:** 1. Bullone esagonale 2. Flangia esterna 3. Disco diamantato 4. Flangia interna 5. Freccia

Per rimuovere il disco diamantato, premere a fondo il blocco albero affinché il disco diamantato non possa girare, e utilizzare la brugola per allentare il bullone esagonale in senso antiorario. Quindi, rimuovere il bullone esagonale, la flangia esterna e il disco diamantato.

Per installare il disco diamantato, eseguire la procedura di rimozione al contrario. Accertarsi che il disco diamantato sia installato in modo che la freccia su quest'ultimo punti nella stessa direzione della freccia sulla cassa del disco diamantato.

**ACCERTARSI DI SERRARE SALDAMENTE IL BULLONE ESAGONALE.**

► **Fig.9:** 1. Bullone esagonale 2. Flangia esterna 3. Disco diamantato 4. Flangia interna 5. Sporgenza (lato più grande)

**NOTA:** Qualora la flangia interna venga rimossa accidentalmente, installare la flangia interna in modo che la sua sporgenza (lato più grande) sia rivolta verso l'interno, come indicato nella figura.

## Conservazione della chiave esagonale

► **Fig.10:** 1. Chiave esagonale

Quando non si utilizza la chiave esagonale, riporla come mostrato nella figura per evitare di perderla.

## Installazione dell'alimentazione ad acqua

Allentare la vite A.

Far scorrere il supporto del serbatoio fino in fondo sull'alloggiamento del motore, in modo che la tacca sulla bandella (che fa parte del supporto del serbatoio) sia posizionata immediatamente al di sotto della testa della vite dell'utensile, come indicato nella figura.

Quindi, serrare la vite A.

► **Fig.11:** 1. Vite A 2. Supporto del serbatoio  
3. Alloggiamento del motore 4. Tacca della bandella (parte del supporto del serbatoio)  
5. Testa della vite dell'utensile

Montare il serbatoio sull'apposito supporto in modo che quest'ultimo sia inserito tra il gradino e i pallini. Collegare il tappo all'estremità del tubo sulla bocca del serbatoio. Ruotare il serbatoio in senso orario. Quindi, serrare la vite B.

► **Fig.12:** 1. Serbatoio 2. Tubo 3. Vite B

## Erogazione dell'acqua

**ATTENZIONE:** Quando si riempie il serbatoio con acqua, fare attenzione a non far bagnare l'utensile.

Accertarsi che il rubinetto di erogazione dell'acqua sia chiuso, prima di riempire d'acqua il serbatoio. Aprire il tappo sul serbatoio e riempire con acqua. Riapplicare il tappo sul serbatoio.

► **Fig.13:** 1. Rubinetto di erogazione dell'acqua 2. Per chiudere 3. Per aprire

► **Fig.14:** 1. Tappo 2. Per aprire

## FUNZIONAMENTO

**ATTENZIONE:** Il presente utensile va utilizzato solo su superfici orizzontali.

**ATTENZIONE:** Accertarsi di mantenere saldamente il pezzo in lavorazione su un banco o un tavolo stabile durante l'uso.

**ATTENZIONE:** Non torcere né forzare l'utensile nel taglio, in caso contrario il motore potrebbe venire sovraccaricato o il pezzo in lavorazione potrebbe rompersi.

**ATTENZIONE:** Non utilizzare l'utensile con il disco diamantato in posizione verticale o di lato.

**ATTENZIONE:** Il disco per il presente utensile è un disco diamantato a umido per il taglio di vetro e mattonelle. Durante l'uso, accertarsi di alimentare l'acqua al disco diamantato.

**ATTENZIONE:** Qualora l'azione di taglio del disco diamantato inizi a ridursi, riaffilare il tagliente del disco utilizzando una vecchia mola di scarto da banco a grana grossa o un blocco di calcestruzzo. Riaffilare premendo leggermente sul bordo esterno del disco diamantato.

► **Fig.15**

Mantenere l'utensile saldamente. Sistemare la piastra di base sul pezzo in lavorazione da tagliare evitando che il disco entri in contatto con il pezzo in lavorazione. Quindi, accendere l'utensile e attendere che il disco raggiunga la piena velocità.

Erogare acqua al disco regolando il rubinetto di erogazione dell'acqua in modo da ottenere un flusso d'acqua delicato.

Far avanzare l'utensile sulla superficie del pezzo in lavorazione mantenendolo in piano e procedendo in modo uniforme fino al completamento del taglio. Mantenere una linea di taglio dritta e una velocità di avanzamento uniforme.

Tagliare lentamente per ottenere tagli precisi e puliti. (Per tagliare lastre di vetro di 5 mm di spessore, tagliare a una velocità di circa 250 mm/min. Per tagliare mattonelle di 10 mm di spessore, tagliare a una velocità di circa 300 mm/min). Inoltre, rallentare in prossimità del completamento del taglio, onde evitare la rottura o la fessurazione del pezzo in lavorazione che si sta tagliando.

**NOTA:** Quando la temperatura della cartuccia della batteria è bassa, l'utensile potrebbe non operare alla massima capacità. In questa circostanza, utilizzare l'utensile, ad esempio, per un taglio a carico leggero per un po' di tempo, fino a quando la cartuccia della batteria si riscalda e raggiunge la temperatura ambiente. Dopodiché, l'utensile può lavorare alla massima capacità.

**NOTA:** Accertarsi che il rubinetto di erogazione dell'acqua sia chiuso, prima dell'uso.

## MANUTENZIONE

**⚠ATTENZIONE:** Accertarsi sempre che l'utensile sia spento e che la cartuccia della batteria sia stata rimossa prima di tentare di eseguire interventi di ispezione o manutenzione.

**AVVISO:** Non utilizzare mai benzina, benzene, solventi, alcol o altre sostanze simili. In caso contrario, si potrebbero causare scolorimenti, deformazioni o crepe.

Per preservare la SICUREZZA e l'AFFIDABILITÀ del prodotto, le riparazioni e qualsiasi altro intervento di manutenzione e di regolazione devono essere eseguiti da un centro di assistenza autorizzato Makita, utilizzando sempre ricambi Makita.

## ACCESSORI OPZIONALI

**⚠ATTENZIONE:** Questi accessori o componenti aggiuntivi sono consigliati per l'uso con l'utensile Makita specificato nel presente manuale. L'impiego di altri accessori o componenti aggiuntivi può costituire un rischio di lesioni alle persone. Utilizzare gli accessori o i componenti aggiuntivi solo per il loro scopo prefissato.

Per ottenere ulteriori dettagli relativamente a questi accessori, rivolgersi a un centro di assistenza Makita.

- Dischi diamantati
- Chiave esagonale
- Batteria e caricabatterie originali Makita

**NOTA:** Alcuni articoli nell'elenco potrebbero essere inclusi nell'imballaggio dell'utensile come accessori standard. Tali articoli potrebbero variare da nazione a nazione.

## TECHNISCHE GEGEVENS

<b>Model:</b>	<b>CC301D</b>	
Diameter van diamantschijf	85 mm	
Max. schijfdikte	0,8 mm	
Max. slijpdiepte	bij 0° verstek	25,5 mm
	bij 45° verstek	16,5 mm
Nominaal toerental	1.500 min <sup>-1</sup>	
Nominale spanning	10,8 V gelijkspanning	
Accu	BL1015, BL1020B	BL1040B
Totale lengte	313 mm	331 mm
Nettogewicht	1,8 kg	1,9 kg

- In verband met ononderbroken research en ontwikkeling, behouden wij ons het recht voor de bovenstaande technische gegevens zonder voorafgaande kennisgeving te wijzigen.
- De technische gegevens van de accu kunnen van land tot land verschillen.
- Gewicht, inclusief accu, volgens de EPTA-procedure 01/2003

### Gebruiksdoeleinden

Dit gereedschap is bedoeld voor het slijpen in glas en materialen van steen met behulp van een diamantschijf en water.

### Geluidsniveau

De typische, A-gewogen geluidsniveaus zijn gemeten volgens EN60745:

Geluidsdrukniveau ( $L_{pA}$ ): 84 dB (A)

Geluidsvermogensniveau ( $L_{WA}$ ): 95 dB (A)

Onzekerheid (K): 3 dB (A)

**WAARSCHUWING:** Draag  
gehoorbescherming.

### Trilling

De totale trillingswaarde (triaxiale vectorsom) zoals vastgesteld volgens EN60745:

Gebruikstoepassing: slijpen in cement

Trillingsemisatie ( $a_{h1}$ ): 2,5 m/s<sup>2</sup> of lager

Onzekerheid (K): 1,5 m/s<sup>2</sup>

**OPMERKING:** De opgegeven trillingsemisiewaarde is gemeten volgens de standaardtestmethode en kan worden gebruikt om dit gereedschap te vergelijken met andere gereedschappen.

**OPMERKING:** De opgegeven trillingsemisiewaarde kan ook worden gebruikt voor een beoordeling vooraf van de blootstelling.

**WAARSCHUWING:** De trillingsemisatie tijdens het gebruik van het elektrisch gereedschap in de praktijk kan verschillen van de opgegeven trillingsemisiewaarde afhankelijk van de manier waarop het gereedschap wordt gebruikt.

**WAARSCHUWING:** Zorg ervoor dat veiligheidsmaatregelen worden getroffen ter bescherming van de operator die zijn gebaseerd op een schatting van de blootstelling onder praktijkomstandigheden (rekening houdend met alle fasen van de bedrijfscyclus, zoals de tijdsduur gedurende welke het gereedschap is uitgeschakeld en stationair draait, naast de ingeschakelde tijdsduur).

### EG-verklaring van conformiteit

*Alleen voor Europese landen*

De EU-verklaring van conformiteit is bijgevoegd als Bijlage A bij deze gebruiksaanwijzing.

## VEILIGHEIDSWAARSCHUWINGEN

### Algemene veiligheidswaarschuwingen voor elektrisch gereedschap

**WAARSCHUWING:** Lees alle veiligheids-  
waarschuwingen en alle instructies. Het niet volgen van de waarschuwingen en instructies kan leiden tot elektrische schokken, brand en/of ernstig letsel.

# Bewaar alle waarschuwingen en instructies om in de toekomst te kunnen raadplegen.

De term "elektrisch gereedschap" in de veiligheidsvoor-schriften duidt op gereedschappen die op stroom van het lichtnet werken (met snoer) of gereedschappen met een accu (snoerloos).

## Veiligheidswaarschuwingen voor een accuslijpmachine

1. **Monteer de beschermeugel die bij het gereedschap is geleverd vooral stevig aan het elektrisch gereedschap en stel de beugel voor optimale veiligheid zodanig af dat een zo klein mogelijk deel van de schijf vrij blijft naar de gebruiker toe. Zorg dat u zelf en omstanders buiten het rotatievlak van de draaiende schijf blijven.** De beschermeugel dient om de gebruiker te beschermen tegen aanraking met de schijf en eventuele rondvliegende fragmenten daarvan.
2. **Gebruik uitsluitend diamant-doorslijpschijven met dit elektrisch gereedschap.** Ook wanneer het accessoire kan worden bevestigd op uw elektrisch gereedschap, is een veilige werking niet gegarandeerd.
3. **Het nominale toerental van het accessoire moet minstens gelijk zijn aan het maximumtoerental vermeld op het elektrisch gereedschap.** Accessoires die met een hoger toerental draaien dan hun nominaal toerental kunnen stuk breken en in het rond vliegen.
4. **De schijven mogen uitsluitend worden gebruikt voor de aanbevolen toepassingen.** Bijvoorbeeld, probeer niet te slijpen met de platte kant van de doorslijpschijf. Doorslijpschijven zijn ontworpen voor het slijpen met de rand van de schijf; zijwaartse druk kan dergelijke in stukken doen breken.
5. **Gebruik altijd onbeschadigde schijfflensen van de juiste diameter voor de te gebruiken schijf.** Een goede schijfflens ondersteunt de schijf en verkleint daarmee de kans op het breken van de schijf.
6. **De buitendiameter en de dikte van het accessoire moet binnen het capaciteitsbereik van het elektrisch gereedschap vallen.** Accessoires met verkeerde afmetingen kunnen niet afdoende worden afgeschermd of beheerst.
7. **De asgatdiameter van schijven en flenzen moet goed passen rond de as van het elektrisch gereedschap.** Schijven en flenzen met een asgatdiameter die niet overeenkomt met de bevestigingshardware van het elektrisch gereedschap zullen niet in balans draaien en buitensporig trillen, en kunnen tot verlies van controle over het gereedschap leiden.
8. **Gebruik nooit beschadigde schijven. Inspecteer vóór ieder gebruik de schijven op ontbrekende schilfers en barsten. Nadat het elektrisch gereedschap of de schijf is gevallen, inspecteert u het op schade of monteert u een onbeschadigde schijf. Na inspectie en montage van de schijf, zorgt u ervoor dat u en**

9. **Gebruik persoonlijke-beschermingsmiddelen. Afhankelijk van de toepassing gebruikt u een spat scherm, een beschermende bril of een veiligheidsbril. Al naar gelang van toepassing draagt u een stofmasker, gehoorbeschermers, handschoenen en een werkschort die in staat zijn kleine stukjes slijpsel of werkstukfragmenten te weerstaan.** De oogbescherming moet in staat zijn rondvliegend afval te stoppen dat ontstaat bij de diverse werkzaamheden. Het stofmasker of ademhalingsapparaat moet in staat zijn deeltjes te filteren die ontstaan bij de werkzaamheden. Langdurige blootstelling aan zeer intens geluid kan leiden tot gehoorbeschadiging.
10. **Houd omstanders op veilige afstand van het werkgebied. Iedereen die zich binnen het werkgebied begeeft, moet persoonlijke-beschermingsmiddelen gebruiken.** Fragmenten van het werkstuk of van een uiteengevallen schijf kunnen rondvliegen en letsel veroorzaken buiten de onmiddellijke werkomgeving.
11. **Houd het elektrisch gereedschap uitsluitend vast aan het geïsoleerde oppervlak van de handgrepen wanneer u werkt op plaatsen waar het slijpaccessoire met verborgen bedrading in aanraking kan komen.** Wanneer het slijpaccessoire in aanraking komt met onder spanning staande draden, zullen de niet-geïsoleerde metalen delen van het gereedschap onder spanning komen te staan zodat de gebruiker een elektrische schok kan krijgen.
12. **Houd het snoer goed uit de buurt van het rond-draaiende accessoire.** Als u de controle verliest over het gereedschap, kan het snoer worden doorgesneden of bekneld raken, en kan uw hand of arm tegen de ronddraaiende schijf worden aangetrokken.
13. **Leg het elektrisch gereedschap nooit neer voordat het accessoire volledig tot stilstand is gekomen.** De ronddraaiende schijf kan de ondergrond pakken zodat u de controle over het elektrisch gereedschap verliest.
14. **Laat het elektrisch gereedschap niet draaien terwijl u het naast u draagt.** Als het ronddraaiende accessoire u per ongeluk raakt, kan het verstrikt raken in uw kleding waardoor het accessoire in uw lichaam wordt getrokken.
15. **Maak de ventilatieopeningen van het elektrisch gereedschap regelmatig schoon.** De ventilator van de motor zal het stof de behuizing in trekken, en een grote opeenhoping van metaalslijpsel kan leiden tot elektrisch gevaarlijke situaties.
16. **Gebruik het elektrisch gereedschap niet in de buurt van brandbare materialen.** Vonken kunnen deze materialen doen ontvlammen.

### Terugslag en aanverwante waarschuwingen

Terugslag is een plotselinge reactie op een beknelde of vastgelopen draaiende schijf. Beknellen of vastlopen veroorzaakt een snelle stilstand van de draaiende schijf dat op zijn beurt ertoe leidt dat het elektrisch



gereedschap zich ongecontroleerd beweegt in de tegenovergestelde richting van de draairichting van de schijf op het moment van vastlopen.

Bijvoorbeeld, als een slijpschijf bekneld raakt of vastloopt in het werkstuk, kan de rand van de schijf die het beknellingspunt ingaat, zich invreten in het oppervlak van het materiaal waardoor de schijf eruit klimt of eruit slaat. De schijf kan daarbij naar de gebruiker toe of weg springen, afhankelijk van de draairichting van de schijf op het beknellingspunt. Slijpschijven kunnen in dergelijke situaties ook breken.

Terugslag is het gevolg van misbruik van het elektrisch gereedschap en/of onjuiste gebruiksprocedures of omstandigheden, en kan worden voorkomen door goede voorzorgsmaatregelen te treffen, zoals hieronder vermeld.

1. **Houd het elektrisch gereedschap stevig vast en houd uw armen en lichaam zodanig dat u in staat bent een terugslag op te vangen. Gebruik altijd de extra handgreep (indien aanwezig) voor een maximale controle over het gereedschap in geval van terugslag en de koppelreactiekrachten bij het starten.** De gebruiker kan een terugslag of de koppelreactie opvangen indien de juiste voorzorgsmaatregelen worden getroffen.
2. **Plaats uw hand nooit in de buurt van het draaiende accessoire.** Het accessoire kan terugslaan over uw hand.
3. **Zorg dat uw lichaam buiten het rotatievlak van de draaiende schijf blijft.** Een terugslag zal het gereedschap bewegen in de tegenovergestelde richting van de draairichting van de schijf op het moment van beknellen.
4. **Wees bijzonder voorzichtig bij het werken met hoeken, scherpe randen, enz. Voorkom dat het accessoire springt of bekneld raakt.** Hoeken, scherpe randen of springen veroorzaken vaak beknellen van het draaiende accessoire wat leidt tot terugslag of verlies van controle over het gereedschap.
5. **Bevestig geen zaagketting, houtsnijblad of gesegmenteerde diamantschijf met randopeningen van meer dan 10 mm, of een getand zaagblad.** Dergelijke bladen leiden vaak tot terugslag of verlies van controle over het gereedschap.
6. **Laat de schijf niet vastlopen en oefen geen buitensporige druk uit. Probeer niet een buitensporig diepe snede te slijpen.** Een te grote kracht op de schijf verhoogt de belasting en de kans dat de schijf in de snede verdraait of vastloopt, waardoor terugslag kan optreden of de schijf kan breken.
7. **Wanneer de schijf vastloopt of u het slijpen onderbreekt, schakelt u het elektrisch gereedschap uit en houdt u dit stil totdat de schijf volledig tot stilstand is gekomen. Probeer nooit de schijf uit de snede te halen terwijl de schijf nog draait omdat hierdoor een terugslag kan optreden.** Onderzoek waarom de schijf is vastgelopen en tref afdoende maatregelen om de oorzaak ervan op te heffen.
8. **Begin niet met slijpen terwijl de schijf al in het werkstuk steekt. Wacht totdat de schijf op volle toeren draait en breng daarna de schijf voorzichtig terug in de snede.** Wanneer het elektrisch gereedschap opnieuw wordt gestart terwijl de schijf al in het werkstuk steekt, kan de schijf vastlopen, omhoog lopen of terugslaan.

9. **Ondersteun platen en grote werkstukken om de kans op het beknellen van de schijf en terugslag te minimaliseren.** Grote werkstukken neigen door te zakken onder hun eigen gewicht. U moet het werkstuk ondersteunen vlakbij de slijplijn en vlakbij de rand van het werkstuk aan beide kanten van de schijf.
10. **Wees extra voorzichtig wanneer u een invalsnede maakt in een bestaande wand of op een andere plaats waarvan u de onderkant niet kunt zien.** De uitstekende schijf kan gas- of waterleidingen, elektrische bedrading of voorwerpen die terugslag veroorzaken raken.

#### Aanvullende veiligheidswaarschuwingen:

1. **Voordat u een gesegmenteerde diamantschijf gebruikt, controleert u dat de diamantschijf randopeningen van 10 mm of minder tussen de segmenten heeft, met alleen een negatieve hellingshoek.**
2. **Probeer in geen geval materialen door te slijpen met het gereedschap ondersteboven vastgezet in een bankschroef. Dat is bijzonder gevaarlijk en kan ernstige ongelukken veroorzaken.**
3. **Bepaalde materialen kunnen giftige chemicaliën bevatten. Let op dat u geen stof inademt en zorg dat er niets op uw huid komt. Volg de veiligheidsinstructies van de leverancier van de materialen.**
4. **Berg de schijven zorgvuldig op volgens de aanbevelingen van de fabrikant. Onjuiste opslag kan de schijven beschadigen.**

## BEWAAR DEZE INSTRUCTIES.

**⚠ WAARSCHUWING:** Laat u NIET misleiden door een vals gevoel van comfort en bekendheid met het gereedschap (na veelvuldig gebruik) en neem alle veiligheidsvoorschriften van het betreffende gereedschap altijd strikt in acht. VERKEERD GEBRUIK of het niet naleven van de veiligheidsvoorschriften in deze gebruiksaanwijzing kan leiden tot ernstig persoonlijk letsel.

## Belangrijke veiligheidsinstructies voor een accu

1. **Lees alle voorschriften en waarschuwingen op (1) de acculader, (2) de accu, en (3) het product waarvoor de accu wordt gebruikt, alvorens de accu in gebruik te nemen.**
2. **Neem de accu niet uit elkaar.**
3. **Als de gebruikstijd van een opgeladen accu aanzienlijk korter is geworden, moet u het gebruik ervan onmiddellijk stopzetten. Voortgezet gebruik kan oververhitting, brandwonden en zelfs een ontploffing veroorzaken.**
4. **Als elektrolyt in uw ogen is terechtgekomen, spoelt u uw ogen met schoon water en roept u onmiddellijk de hulp van een dokter in. Elektrolyt in de ogen kan blindheid veroorzaken.**
5. **Voorkom kortsluiting van de accu:**
  - (1) **Raak de accuklemmen nooit aan met een geleidend materiaal.**

(2) Bewaar de accu niet in een bak waarin andere metalen voorwerpen zoals spijkers, munten e.d. worden bewaard.

(3) Stel de accu niet bloot aan water of regen. Kortsluiting van de accu kan oorzaak zijn van een grote stroomafgifte, oververhitting, brandwonden, en zelfs defecten.

6. Bewaar het gereedschap en de accu niet op plaatsen waar de temperatuur kan oplopen tot 50°C of hoger.
7. Werp de accu nooit in het vuur, ook niet wanneer hij zwaar beschadigd of volledig versleten is. De accu kan ontploffen in het vuur.
8. Wees voorzichtig dat u de accu niet laat vallen en hem niet blootstelt aan schokken of stoten.
9. Gebruik nooit een beschadigde accu.
10. De bijgeleverde lithium-ionbatterijen zijn onderhevig aan de vereisten in de wetgeving omtrent gevaarlijke stoffen.  
Voor commercieel transport en dergelijke door derden en transporteurs moeten speciale vereisten ten aanzien van verpakking en etikettering worden nageleefd.  
Als voorbereiding van het artikel dat wordt getransporteerd is het noodzakelijk een expert op het gebied van gevaarlijke stoffen te raadplegen. Houd u tevens aan mogelijk strengere nationale regelgeving.  
Blootliggende contactpunten moeten worden afgedekt met tape en de accu moet zodanig worden verpakt dat deze niet kan bewegen in de verpakking.
11. Volg bij het weggooiën van de accu de plaatselijke voorschriften.

## BEWAAR DEZE INSTRUCTIES.

**⚠ LET OP:** Gebruik uitsluitend originele Makita accu's. Het gebruik van niet-originele accu's, of accu's die zijn gewijzigd, kan ertoe leiden dat de accu ontploft en brand, persoonlijk letsel en schade veroorzaakt. Ook vervalt daarmee de garantie van Makita op het gereedschap en de lader van Makita.

## Tips voor een maximale levensduur van de accu

1. Laad de accu op voordat hij volledig ontladen is. Stop het gebruik van het gereedschap en laad de accu op telkens wanneer u vaststelt dat het vermogen van het gereedschap is afgenomen.
2. Laad een volledig opgeladen accu nooit opnieuw op. Te lang opladen verkort de levensduur van de accu.
3. Laad de accu op bij een omgevingstemperatuur tussen 10°C en 40°C. Laat een warme accu afkoelen alvorens hem op te laden.

# BESCHRIJVING VAN DE FUNCTIES

**⚠ LET OP:** Zorg altijd dat het gereedschap is uitgeschakeld en de accu ervan is verwijderd alvorens de functies op het gereedschap af te stellen of te controleren.

## De accu aanbrengen en verwijderen

**⚠ LET OP:** Schakel het gereedschap altijd uit voordat u de accu aanbrengt of verwijdert.

**⚠ LET OP:** Houd het gereedschap en de accu stevig vast tijdens het aanbrengen of verwijderen van de accu. Als u het gereedschap en de accu niet stevig vasthoudt, kunnen deze uit uw handen glijpen en het gereedschap of de accu beschadigen, of kan persoonlijk letsel worden veroorzaakt.

► Fig.1: 1. Rood deel 2. Knop 3. Accu

Om de accu te verwijderen verschuift u de knop aan de voorkant van de accu en schuift u tegelijkertijd de accu uit het gereedschap.

Om de accu aan te brengen lijnt u de lip op de accu uit met de groef in de behuizing en duwt u de accu op zijn plaats. Steek de accu zo ver mogelijk in het gereedschap tot u een klikgeluid hoort. Als u het rode deel aan de bovenkant van de knop kunt zien, is de accu niet goed aangebracht.

**⚠ LET OP:** Breng de accu altijd helemaal aan totdat het rode deel niet meer zichtbaar is. Als u dit niet doet, kan de accu per ongeluk uit het gereedschap vallen en u of anderen in uw omgeving verwonden.

**⚠ LET OP:** Breng de accu niet met kracht aan. Als de accu niet gemakkelijk in het gereedschap kan worden geschoven, wordt deze niet goed aangebracht.

## Accubeveiligingssysteem

Het gereedschap is uitgerust met een accubeveiligingssysteem. Dit systeem sluit automatisch de voeding naar de motor af om de levensduur van de accu te verlengen.

Het gereedschap kan tijdens gebruik automatisch stoppen wanneer het gereedschap en/of de accu aan één van de volgende omstandigheden wordt blootgesteld:

### Overbelasting:

Als het gereedschap wordt gebruikt op een manier die een abnormaal hoge stroomsterkte vergt.

Schakel in dat geval het gereedschap uit en stopt u met de toepassing waardoor het gereedschap overbelast raakte. Schakel vervolgens het gereedschap in om het weer te starten.

Als het gereedschap niet start, kan de accu oververhit zijn. In die situatie laat u de accu eerst afkoelen voordat u het gereedschap opnieuw inschakelt.

### Onvoldoende accuspanning:









De resterende accucapaciteit is te laag en het gereedschap start niet. Als u het gereedschap inschakelt, draait de motor wel maar stopt kort daarna. In dat geval verwijderd u de accu en laadt u die opnieuw op.

## De resterende acculading controleren

*Alleen voor accu's waarvan het modelnummer eindigt op "B".*

► Fig.2: 1. Indicatorlampjes 2. Testknop

Druk op de testknop op de accu om de resterende acculading te zien. De indicatorlampjes branden gedurende enkele seconden.

Indicatorlampjes		Resterende capaciteit
Brandt	Uit	
		75% tot 100%
		50% tot 75%
		25% tot 50%
		0% tot 25%

**OPMERKING:** Afhankelijk van de gebruiksomstandigheden en de omgevingstemperatuur, is het mogelijk dat de aangegeven acculading verschilt van de werkelijke acculading.

## De zaagdiepte instellen

**LET OP:** Nadat u de zaagdiepte hebt ingesteld, zet u de klembout altijd stevig vast.

► Fig.3: 1. Klembout 2. Dieptegeleider

Draai de klemschroef van de dieptegeleider los en beweeg de zool omhoog of omlaag. Zet de zool op de gewenste slijpdiepte vast door de klemschroef vast te draaien.

## Schuine zaagsnede

► Fig.4: 1. Klembout  
2. Schuine-zaagsnedeschaalplaat

Draai de klembout op de schuine-zaagsnedeschaalplaat aan de voorkant van de zool los. Kantel om de gewenste hoek (0° - 45°) in te stellen en draai dan de klembout weer stevig vast.

## Zichtlijn

► Fig.5: 1. Zaaglijn

Voor recht zagen lijnt u de positie A op de voorkant van de zool uit met de zaaglijn. Voor een schuine zaagsnede onder een hoek van 45°, gebruikt u hiervoor positie B.

## De trekkerschakelaar gebruiken

**LET OP:** Alvorens de accu in het gereedschap te plaatsen, moet u altijd controleren of de trekkerschakelaar goed werkt en bij het loslaten terugkeert naar de stand "OFF".

**LET OP:** Knijp de trekkerschakelaar niet hard in zonder de uit-vergrendelknop in te drukken. Hierdoor kan de schakelaar kapot gaan.

► Fig.6: 1. Uit-vergrendelknop 2. Trekkerschakelaar

Om te voorkomen dat de trekkerschakelaar per ongeluk wordt bediend, is een uit-vergrendelknop aangebracht. Om het gereedschap te starten, drukt u de uit-vergrendelknop in en knijpt u de trekkerschakelaar in. Laat de trekkerschakelaar los om het gereedschap te stoppen.

## MONTAGE

**LET OP:** Zorg altijd dat het gereedschap is uitgeschakeld en de accu ervan is verwijderd alvorens enig werk aan het gereedschap uit te voeren.

## De diamantschijf aanbrengen of verwijderen

**LET OP:** Gebruik uitsluitend de Makita-sleutel voor het aanbrengen en verwijderen van de diamantschijf.

**LET OP:** Zorg ervoor dat bij het aanbrengen van de diamantschijf de bout stevig wordt vastgedraaid.

**LET OP:** Breng de diamantschijf altijd aan zodat de pijl op de diamantschijf in dezelfde richting wijst als de pijl op het diamantschijfhuus. Anders draait de schijf achteruit, waardoor persoonlijk letsel kan ontstaan.

► Fig.7: 1. Asvergrendeling 2. Inbussleutel  
3. Vastdraaien 4. Losdraaien

► Fig.8: 1. Inbusbout 2. Buitenflens 3. Diamantschijf  
4. Binnenflens 5. Pijl

Om de diamantschijf te verwijderen, drukt u de asvergrendeling helemaal in zodat de diamantschijf niet meer kan draaien, en gebruikt u de inbussleutel om de inbusbout linksom los te draaien. Verwijder vervolgens de inbusbout, de buitenflens en de diamantschijf.

Om de diamantschijf aan te brengen, volgt u de verwijderingsprocedure in omgekeerde volgorde. Zorg ervoor dat u de diamantschijf aanbrengt zodat de pijl op de diamantschijf in dezelfde richting wijst als de pijl op het diamantschijfhuus.

**ZORG ERVOOR DAT U DE INBUSBOUT STEVIG VASTDRAAIT.**

► Fig.9: 1. Inbusbout 2. Buitenflens 3. Diamantschijf  
4. Binnenflens 5. Uitsteeksel (dikkere kant)

**OPMERKING:** Als per ongeluk de binnenflens eraf is gekomen, monteert u de binnenflens zodanig dat het uitsteeksel (grotere kant) naar binnen wijst, zoals aangegeven in de afbeelding.

## Opbergen van de inbussleutel

### ► Fig.10: 1. Inbussleutel

Wanneer u de inbussleutel niet gebruikt, bergt u deze op de plaats aan-gegeven in de afbeelding op, om te voorkomen dat deze wordt verloren.

## De watertoevoer aanbrengen

Draai bout A los.

Schuif de tankhouder over het motorhuis zodat de inkeping in de band (deel van de tankhouder) vlak onder de schroefkop van het gereedschap zit, zoals afgebeeld. Draai vervolgens bout A vast.

### ► Fig.11: 1. Bout A 2. Tankhouder 3. Motorhuis 4. Inkeping in de band (deel van de tankhouder) 5. Schroefkop van het gereedschap

Bevestig de tank in de tankhouder zodat de band van de tankhouder tussen de rand en de puntmarkeringen ligt. Sluit de dop aan het uiteinde van de slang aan op het mondstuk van de tank. Draai de tank rechtsom. Draai vervolgens bout B vast.

### ► Fig.12: 1. Tank 2. Slang 3. Bout B

## Watertoevoer

**⚠ LET OP:** Wees voorzichtig bij het vullen van de tank met water dat het gereedschap niet nat wordt.

Let erop dat de watertoevoerkraan dicht zit voordat u de tank vult met water. Open de dop van de tank en vul hem met water. Breng de dop weer op de tank aan.

### ► Fig.13: 1. Watertoevoerkraan 2. Dicht 3. Open

### ► Fig.14: 1. Dop 2. Open

## BEDIENING

**⚠ LET OP:** Dit gereedschap mag uitsluitend gebruikt worden op horizontale oppervlakken.

**⚠ LET OP:** Zorg ervoor dat tijdens gebruik het werkstuk stevig omlaag gedrukt wordt op een stabiele werkbank of tafel.

**⚠ LET OP:** Verdraai en forceer het gereedschap niet in de snede omdat daardoor de motor overbelast kan raken of het werkstuk kan breken.

**⚠ LET OP:** Gebruik het gereedschap met de diamantschijf niet terwijl het zijwaarts of ondersteboven gehouden wordt.

**⚠ LET OP:** De schijf voor dit gereedschap is een natte diamantschijf voor toepassingen met glas en tegels. Zorg ervoor dat tijdens gebruik water wordt toegevoerd naar de diamantschijf.

**⚠ LET OP:** Als de slijpprestaties van de diamantschijf afnemen zuivert u de slijprand van de schijf met behulp van een oude, versleten, grofkorrelige slijpsteen van een tafelslijpmachine, of een cementblok. Zuiver de diamantschijf door licht op de buitenrand te drukken.

### ► Fig.15

Houd het gereedschap stevig vast. Plaats eerst de zool van het gereedschap op het werkstuk waarin u wilt slijpen zonder dat de schijf het werkstuk raakt.

Schakel het gereedschap vervolgens in en wacht totdat de schijf op volle snelheid draait.

Voer water aan naar de schijf door de watertoevoerkraan ver genoeg open te draaien dat een stabiele waterstroom ontstaat. Houd het gereedschap plat en beweeg het soepel vooruit over het oppervlak van het werkstuk totdat het slijpen klaar is. Houd de slijplijn recht en de voorwaartse snelheid constant.

Voor een fijne, schone snede moet u langzaam slijpen. (Bij het slijpen in een glasplaat van 5 mm dik, slijpt u met een snelheid van ongeveer 250 mm/min. Bij het slijpen in tegels van 10 mm dik, slijpt u met een snelheid van ongeveer 300 mm/min.) Vertraag aan het einde van een snede om te voorkomen dat het werkstuk breekt of barst.

**OPMERKING:** Wanneer de temperatuur van de accu laag is, werkt het gereedschap mogelijk niet op zijn volle vermogen. Gebruik in dat geval het gereedschap bijvoorbeeld enige tijd voor een lichte snede totdat de accu is opgewarmd tot de omgevingstemperatuur. Daarna kan het gereedschap op zijn volle vermogen werken.

**OPMERKING:** Let erop dat de watertoevoerkraan dicht zit voordat u begint te werken.

## ONDERHOUD

**⚠ LET OP:** Zorg altijd dat het gereedschap is uitgeschakeld en de accu ervan is verwijderd alvorens te beginnen met onderhoud of inspectie.

**KENNISGEVING:** Gebruik nooit benzine, wasbenzine, thinner, alcohol en dergelijke. Hierdoor kunnen verkleuring, vervormingen en barsten worden veroorzaakt.

Om de VEILIGHEID en BETROUWBAARHEID van het gereedschap te handhaven, dienen alle reparaties, onderhoud of afstellingen te worden uitgevoerd bij een erkend Makita-servicecentrum of de Makita-fabriek, en altijd met gebruik van Makita-vervangingsonderdelen.

## OPTIONELE ACCESSOIRES

**⚠ LET OP:** Deze accessoires of hulpstukken worden aanbevolen voor gebruik met het Makita gereedschap dat in deze gebruiksaanwijzing is beschreven. Bij gebruik van andere accessoires of hulpstukken bestaat het gevaar van persoonlijke letsels. Gebruik de accessoires of hulpstukken uitsluitend voor hun bestemde doel.

Wenst u meer bijzonderheden over deze accessoires, neem dan contact op met het plaatselijke Makita-servicecentrum.

- Diamantschijven
- Inbussleutel
- Originele Makita accu's en acculaders

**OPMERKING:** Sommige items op de lijst kunnen zijn ingegrepen in de doos van het gereedschap als standaard toebehoren. Deze kunnen van land tot land verschillen.

## ESPECIFICACIONES

<b>Modelo:</b>	<b>CC301D</b>	
Diámetro del disco de diamante	85 mm	
Grosor máx. del disco	0,8 mm	
Profundidad de corte máx.	a bisel de 0°	25,5 mm
	a bisel de 45°	16,5 mm
Velocidad especificada	1.500 min <sup>-1</sup>	
Tensión nominal	CC 10,8 V	
Cartucho de batería	BL1015, BL1020B	BL1040B
Longitud total	313 mm	331 mm
Peso neto	1,8 kg	1,9 kg

- Debido a nuestro continuado programa de investigación y desarrollo, las especificaciones aquí dadas están sujetas a cambios sin previo aviso.
- Las especificaciones y el cartucho de batería pueden diferir de país a país.
- Peso, con cartucho de batería, de acuerdo con el procedimiento EPTA 01/2003

### Uso previsto

La herramienta ha sido prevista para cortar cristal y materiales de albañilería con un disco de diamante y agua.

### Ruido

El nivel de ruido A-ponderado típico determinado de acuerdo con la norma EN60745:

Nivel de presión sonora ( $L_{pA}$ ) : 84 dB (A)

Nivel de potencia sonora ( $L_{WA}$ ) : 95 dB (A)

Error (K) : 3 dB (A)

**⚠ ADVERTENCIA:** Póngase protectores para oídos.

### Vibración

El valor total de la vibración (suma de vectores triaxiales) determinado de acuerdo con la norma EN60745:

Modo de trabajo: corte de hormigón

Emisión de vibración ( $a_{hv}$ ) : 2,5 m/s<sup>2</sup> o menos

Error (K) : 1,5 m/s<sup>2</sup>

**NOTA:** El valor de emisión de vibración declarado ha sido medido de acuerdo con el método de prueba estándar y se puede utilizar para comparar una herramienta con otra.

**NOTA:** El valor de emisión de vibración declarado también se puede utilizar en una valoración preliminar de exposición.

**⚠ ADVERTENCIA:** La emisión de vibración durante la utilización real de la herramienta eléctrica puede variar del valor de emisión declarado dependiendo de las formas en las que la herramienta sea utilizada.

**⚠ ADVERTENCIA:** Asegúrese de identificar medidas de seguridad para proteger al operario que estén basadas en una estimación de la exposición en las condiciones reales de utilización (teniendo en cuenta todas las partes del ciclo operativo como las veces cuando la herramienta está apagada y cuando está funcionando en vacío además del tiempo de gatillo).

### Declaración CE de conformidad

*Para países europeos solamente*

La declaración UE de conformidad está incluida como Anexo A de esta manual de instrucciones.

## ADVERTENCIAS DE SEGURIDAD

### Advertencias de seguridad para herramientas eléctricas en general

**⚠ ADVERTENCIA:** Lea todas las advertencias de seguridad y todas las instrucciones. Si no sigue las advertencias e instrucciones podrá resultar en una descarga eléctrica, un incendio y/o heridas graves.

**Guarde todas las advertencias e instrucciones para futuras referencias.**

El término "herramienta eléctrica" en las advertencias se refiere a su herramienta eléctrica de funcionamiento con conexión a la red eléctrica (con cable) o herramienta eléctrica de funcionamiento a batería (sin cable).

## Advertencias de seguridad para el cortador inalámbrico

1. **El protector provisto con la herramienta eléctrica deberá estar colocado en la herramienta eléctrica firmemente y en la posición que ofrezca la máxima seguridad, de forma que hacia el operario quede la mínima parte de disco desprotegida. Colóquense usted y los curiosos alejados del plano de giro del disco giratorio.** El protector ayuda a proteger al operario de fragmentos de disco roto y de un contacto accidental con el disco.
2. **Utilice solamente discos de cortar de diamante para su herramienta eléctrica.** Solamente porque un accesorio pueda ser instalado en su herramienta eléctrica, no quiere decir que su operación sea segura.
3. **La velocidad especificada del accesorio deberá ser al menos igual que la velocidad máxima marcada en la herramienta eléctrica.** Si los accesorios se utilizan a una velocidad más alta de la velocidad especificada pueden romperse y salir despedidos.
4. **Los discos deberán ser utilizados solamente para aplicaciones recomendadas. Por ejemplo, no amole con el costado de un disco de cortar.** Los discos de cortar abrasivos han sido previstos para amolado periférico, estos discos podrán desintegrarse si se les aplican fuerzas laterales.
5. **Utilice siempre bridas de disco no dañadas que sean del tamaño correcto para el disco que ha seleccionado.** Las bridas de disco correctas sujetan los discos de tal manera que reducen la posibilidad de que el disco se rompa.
6. **El diámetro exterior y el espesor de su accesorio deberán estar dentro de la capacidad nominal de su herramienta eléctrica.** Los accesorios de tamaño incorrecto no se pueden proteger ni controlar adecuadamente.
7. **El tamaño del agujero para eje de los discos y bridas deberá encajar debidamente en el eje de la herramienta eléctrica.** Los discos y bridas con agujero para eje que no coincida con el eje de montaje de la herramienta eléctrica se desequilibrarán, vibrarán excesivamente y podrán ocasionar una pérdida de control.
8. **No utilice discos dañados. Antes de cada utilización, inspeccione los discos para ver si están mellados o agrietados. Si deja caer la herramienta eléctrica o el disco, inspecciónelo por si está dañado o instale un disco que no esté dañado. Después de inspeccionar e instalar un disco, pónganse usted y los curiosos alejados del plano del disco giratorio y haga funcionar la herramienta a velocidad máxima en vacío durante un minuto.** Normalmente, los discos dañados se romperán durante este tiempo de prueba.

9. **Póngase equipo de protección personal. En función de la aplicación, utilice pantalla facial, gafas de protección o gafas de seguridad. Según corresponda, póngase mascarilla contra el polvo, protectores auditivos, guantes y delantal de taller que puedan detener los pequeños fragmentos abrasivos o de pieza de trabajo que salgan despedidos.** La protección de los ojos deberá ser capaz de detener los restos que salen volando generados en las diferentes operaciones. La mascarilla contra el polvo o respirador deberá ser capaz de filtrar las partículas generadas en su operación. La exposición prolongada a ruido de alta intensidad podrá ocasionar pérdida auditiva.
10. **Mantenga a los curiosos a una distancia segura alejados del área de trabajo. Cualquier persona que entre en el área de trabajo deberá utilizar equipo de protección personal.** Los fragmentos de la pieza de trabajo o de un disco roto pueden salir volando y ocasionar heridas más allá del área de operación inmediata.
11. **Cuando realice una operación en la que el accesorio de corte pueda entrar en contacto con cableado oculto, sujete la herramienta eléctrica solamente por las superficies de asimiento aisladas.** El contacto del accesorio de corte con un cable con corriente puede hacer que la corriente circule por las partes metálicas expuestas de la herramienta eléctrica y soltar una descarga eléctrica al operario.
12. **Posicione el cable alejado del accesorio giratorio.** Si pierde el control, el cable podrá ser cortado o enredarse y tirar de su mano o brazo hacia el disco giratorio.
13. **No deje nunca la herramienta eléctrica hasta que el accesorio se haya detenido completamente.** El disco giratorio puede agarrarse en la superficie y tirar de la herramienta eléctrica dejándola fuera de control.
14. **No tenga la herramienta eléctrica encendida mientras la lleva en su costado.** Un contacto accidental con el accesorio giratorio podrá enganchar sus ropas, y arrastrar el accesorio hacia su cuerpo.
15. **Limpie regularmente los orificios de ventilación de la herramienta eléctrica.** El ventilador del motor atraerá el polvo al interior de la carcasa y una acumulación excesiva del polvo metálico puede ocasionar riesgos eléctricos.
16. **No utilice la herramienta eléctrica cerca de materiales inflamables.** Las chispas pueden prender estos materiales.

### Retrocesos bruscos y advertencias relacionadas

El retroceso brusco es la reacción repentina al aprisionamiento o estancamiento de un disco giratorio. El aprisionamiento o estancamiento ocasiona un detenimiento rápido del disco giratorio que a su vez hace que la herramienta eléctrica descontrolada sea forzada en dirección opuesta a la rotación del disco en el punto de bloqueo.

Por ejemplo, si el disco abrasivo queda aprisionado o estancado por la pieza de trabajo, el borde del disco que está entrando en el punto de estancamiento puede hincarse en la superficie del material haciendo que el disco se salga de la hendidura o salte. El disco podrá

salta hacia el operario o en dirección contraria a él, dependiendo de la dirección del movimiento del disco en el punto de estancamiento. Los discos abrasivos también podrán romperse en estas condiciones. Los retrocesos bruscos se deben a un mal uso de la herramienta eléctrica y/o a procedimientos o condiciones de trabajo incorrectos y pueden evitarse tomando las precauciones indicadas a continuación.

1. **Mantenga la herramienta eléctrica empuñada firmemente y posicione su cuerpo y brazo de forma que pueda resistir las fuerzas del retroceso brusco. Utilice siempre el mango auxiliar, si está provisto, para tener el máximo control sobre el retroceso brusco o reacción de torsión durante la puesta en marcha.** El operario puede controlar las reacciones de torsión o fuerzas de retroceso brusco, si toma las precauciones apropiadas.
2. **No ponga nunca su mano cerca del accesorio girando.** El accesorio puede retroceder bruscamente sobre su mano.
3. **No ponga su cuerpo en línea con el disco giratorio.** El retroceso brusco propulsará la herramienta en dirección opuesta al movimiento del disco en el punto de enganche.
4. **Tenga cuidado especial cuando trabaje en esquinas, bordes cortantes, etc. Evite que el accesorio rebote o se enganche.** Las esquinas, bordes cortantes o los rebotes tienen la tendencia a enganchar el accesorio giratorio y ocasionar la pérdida de control o retroceso brusco.
5. **No coloque una cadena de sierra, un disco de tallar madera o un disco de diamante segmentado con una holgura periférica mayor de 10 mm ni un disco de sierra dentado.** Tales discos crean retrocesos bruscos y pérdida de control frecuentes.
6. **No “atasque” el disco ni ejerza presión excesiva. No intente hacer un corte de excesiva profundidad.** Si fatiga en exceso el disco, aumentará la carga y la susceptibilidad de retorcerse o estancarse en el corte y existirá la posibilidad de que se produzca un retroceso brusco o la rotura del disco.
7. **Cuando el disco esté estancándose o cuando quiera interrumpir un corte por cualquier razón, apague la herramienta eléctrica y sujétela sin moverla hasta que el disco se haya detenido completamente. No intente nunca sacar el disco del corte estando el disco moviéndose porque podrá producirse un retroceso brusco.** Investigue y tome medidas correctivas para eliminar la causa del estancamiento del disco.
8. **No reinicie la operación de corte en la pieza de trabajo. Deje que el disco alcance plena velocidad y vuelva a entrar en el corte cuidadosamente.** Si vuelve a poner en marcha la herramienta eléctrica en la pieza de trabajo, el disco podrá estancarse, saltar o retroceder bruscamente.
9. **Sujete los paneles o cualquier pieza de trabajo demasiado grande para minimizar el riesgo de que el disco se estanque o retroceda bruscamente.** Las piezas de trabajo grandes tienden a combarse con su propio peso. Deberá poner apoyos debajo de la pieza de trabajo cerca de la línea de corte y cerca del borde de la pieza de trabajo en ambos lados del disco.

10. **Extremes las precauciones cuando haga un “corte de cavidad” en paredes u otras áreas ciegas.** La parte saliente del disco podrá cortar tuberías de gas o agua, cables eléctricos u objetos que pueden ocasionar un retroceso brusco.

#### Advertencias de seguridad adicionales:

1. **Antes de utilizar un disco de diamante segmentado, asegúrese de que el disco de diamante tiene una holgura periférica entre los segmentos de 10 mm o menos, solamente con un ángulo de corte negativo.**
2. **No intente nunca cortar con la herramienta sujeta al revés en un tornillo de banco. Esto podrá acarrear accidentes graves, porque es muy peligroso.**
3. **Algunos materiales contienen sustancias químicas que podrán ser tóxicas. Tenga precaución para evitar la inhalación de polvo y el contacto con la piel. Siga los datos de seguridad del abastecedor del material.**
4. **Almacene los discos siguiendo las recomendaciones del fabricante. Un almacenamiento inadecuado puede dañar los discos.**

## GUARDE ESTAS INSTRUCCIONES.

**⚠️ ADVERTENCIA:** NO deje que la comodidad o familiaridad con el producto (a base de utilizarlo repetidamente) sustituya la estricta observancia de las normas de seguridad para el producto en cuestión. El MAL USO o el no seguir las normas de seguridad establecidas en este manual de instrucciones podrá ocasionar graves heridas personales.

## Instrucciones de seguridad importantes para el cartucho de batería

1. **Antes de utilizar el cartucho de batería, lea todas las instrucciones e indicaciones de precaución sobre (1) el cargador de baterías, (2) la batería, y (3) el producto con el que se utiliza la batería.**
2. **No desarme el cartucho de batería.**
3. **Si el tiempo de uso se acorta demasiado, cese la operación inmediatamente. Podría resultar en un riesgo de recalentamiento, posibles quemaduras e incluso una explosión.**
4. **Si entra electrólito en sus ojos, aclárelos con agua limpia y acuda a un médico inmediatamente. Existe el riesgo de poder perder la vista.**
5. **No cortocircuite el cartucho de batería:**
  - (1) **No toque los terminales con ningún material conductor.**
  - (2) **Evite guardar el cartucho de batería en un cajón junto con otros objetos metálicos, como clavos, monedas, etc.**
  - (3) **No exponga el cartucho de batería al agua ni a la lluvia.****Un cortocircuito en la batería puede producir una gran circulación de corriente, un recalentamiento, posibles quemaduras e incluso una rotura de la misma.**

6. No guarde la herramienta y el cartucho de batería en lugares donde la temperatura pueda alcanzar o exceder los 50 °C.
7. Nunca incinere el cartucho de batería incluso en el caso de que esté dañado seriamente o ya no sirva en absoluto. El cartucho de batería puede explotar si se tira al fuego.
8. Tenga cuidado de no dejar caer ni golpear el cartucho de batería.
9. No utilice una batería dañada.
10. Las baterías de litio-ion contenidas están sujetas a los requisitos de la Legislación para Materiales Peligrosos.  
Para transportes comerciales, p.ej., por terceras personas y agentes de transportes, se deberán observar requisitos especiales para el empaquetado y etiquetado.  
Para la preparación del artículo que se va a enviar, se requiere consultar con un experto en materiales peligrosos. Por favor, observe también la posibilidad de reglamentos nacionales más detallados.  
Cubra con cinta aislante o enmascare los contactos expuestos y empaquete la batería de tal manera que no se pueda mover alrededor dentro del embalaje.
11. **Siga los reglamentos locales referentes al desecho de la batería.**

## GUARDE ESTAS INSTRUCCIONES.

**⚠️ PRECAUCIÓN:** Utilice solamente baterías genuinas de Makita. La utilización de baterías no genuinas de Makita, o baterías que han sido alteradas, puede resultar en una explosión de la batería ocasionando incendios, heridas personales y daños. También anulará la garantía de Makita para la herramienta y el cargador de Makita.

## Consejos para alargar al máximo la vida de servicio de la batería

1. Cargue el cartucho de batería antes de que se descargue completamente. Detenga siempre la operación y cargue el cartucho de batería cuando note menos potencia en la herramienta.
2. No cargue nunca un cartucho de batería que esté completamente cargado. La sobrecarga acortará la vida de servicio de la batería.
3. Cargue el cartucho de batería a temperatura ambiente de 10 °C - 40 °C. Si un cartucho de batería está caliente, déjelo enfriar antes de cargarlo.

## DESCRIPCIÓN DEL FUNCIONAMIENTO

**⚠️ PRECAUCIÓN:** Asegúrese siempre de que la herramienta está apagada y el cartucho de batería retirado antes de realizar cualquier ajuste o comprobación en la herramienta.

## Instalación o extracción del cartucho de batería

**⚠️ PRECAUCIÓN:** Apague siempre la herramienta antes de instalar o retirar el cartucho de batería.

**⚠️ PRECAUCIÓN:** Sujete la herramienta y el cartucho de batería firmemente cuando instale o retire el cartucho de batería. Si no sujeta la herramienta y el cartucho de batería firmemente podrán caérsele de las manos y resultar en daños a la herramienta y al cartucho de batería y heridas personales.

► **Fig.1:** 1. Indicador rojo 2. Botón 3. Cartucho de batería

Para retirar el cartucho de batería, deslícelo de la herramienta mientras desliza el botón de la parte frontal del cartucho.

Para instalar el cartucho de batería, alinee la lengüeta del cartucho de batería con la ranura de la carcasa y deslícelo hasta que encaje en su sitio. Insértelo a tope hasta que se bloquee en su sitio produciendo un pequeño chasquido. Si puede ver el indicador rojo en el lado superior del botón, no estará bloqueado completamente.

**⚠️ PRECAUCIÓN:** Instale siempre el cartucho de batería completamente hasta que no pueda verse el indicador rojo. En caso contrario, podrá caerse accidentalmente de la herramienta y ocasionarle heridas a usted o a alguien que esté cerca de usted.

**⚠️ PRECAUCIÓN:** No instale el cartucho de batería empleando fuerza. Si el cartucho no se desliza al interior fácilmente, será porque no está siendo insertado correctamente.

## Sistema de protección de la batería

La herramienta está equipada con un sistema de protección de la batería. Este sistema corta automáticamente la alimentación del motor para alargar la vida útil de la batería.

La herramienta se detendrá automáticamente durante la operación si la herramienta y/o la batería son puestas en una de las condiciones siguientes:

### Sobrecargada:

La herramienta es utilizada de una manera que da lugar a que tenga que absorber una corriente anormalmente alta.

En esta situación, apague la herramienta y detenga la aplicación que ocasiona que la herramienta se sobrecargue. Después encienda la herramienta para volver a empezar.



Si la herramienta no se pone en marcha, la batería estará recalentada. En esta situación, deje que la batería se enfríe antes de encender la herramienta otra vez.

### Tensión baja en la batería:

La capacidad de batería restante es muy baja y la herramienta no funcionará. Si enciende la herramienta, el motor se pondrá en marcha otra vez pero se detendrá enseguida. En esta situación, retire la batería y vuelva a cargarla.

## Modo de indicar la capacidad de batería restante

**Solamente para cartuchos de batería con "B" al final del número de modelo**

► **Fig.2:** 1. Lámparas indicadoras 2. Botón de comprobación

Presione el botón de comprobación en el cartucho de batería para indicar la capacidad de batería restante. Las lámparas indicadoras se iluminan durante unos pocos segundos.

Lámparas de indicación		Capacidad restante
Iluminada	Apagada	
■ ■ ■ ■	□	75% a 100%
■ ■ ■ □	□	50% a 75%
■ ■ □ □	□	25% a 50%
■ □ □ □	□	0% a 25%

**NOTA:** Dependiendo de las condiciones de utilización y de la temperatura ambiente, la indicación podrá variar ligeramente de la capacidad real.

## Ajuste de la profundidad de corte

**PRECAUCIÓN:** Después de ajustar la profundidad de corte, apriete siempre el tornillo de fijación firmemente.

► **Fig.3:** 1. Tornillo de fijación 2. Guía de profundidad

Afloje el tornillo de fijación de la guía de profundidad y mueva la base hacia arriba o abajo. En la profundidad de corte deseada, fije la base apretando el tornillo de fijación.

## Corte en bisel

► **Fig.4:** 1. Tornillo de fijación 2. Placa de escala de bisel

Afloje el tornillo de fijación de la placa de escala de bisel en la parte delantera de la base. Ajuste el ángulo deseado (0° - 45°) inclinando según corresponda, después apriete el tornillo de fijación firmemente.

## Guía visual

► **Fig.5:** 1. Línea de corte

Para cortes rectos, alinee la posición A de la parte delantera de la base con la línea de corte. Para cortes en bisel a 45°, alinee la posición B con la misma.

## Accionamiento del interruptor

**PRECAUCIÓN:** Antes de insertar el cartucho de batería en la herramienta, compruebe siempre para cerciorarse de que el gatillo interruptor se acciona debidamente y que vuelve a la posición "OFF" cuando lo suelta.

**PRECAUCIÓN:** No apriete con fuerza el gatillo interruptor sin presionar la palanca de desbloqueo. Esto puede ocasionar la rotura del interruptor.

► **Fig.6:** 1. Palanca de desbloqueo 2. Gatillo interruptor

Para evitar que el gatillo interruptor pueda ser apretado accidentalmente, se ha provisto una palanca de desbloqueo. Para poner en marcha la herramienta, deslice la palanca de desbloqueo y apriete el gatillo interruptor. Suelte el gatillo interruptor para parar.

## MONTAJE

**PRECAUCIÓN:** Asegúrese siempre de que la herramienta está apagada y el cartucho de batería retirado antes de realizar cualquier trabajo en la herramienta.

## Instalación o desmontaje de un disco de diamante

**PRECAUCIÓN:** Utilice solamente la llave Makita para instalar o desmontar el disco de diamante.

**PRECAUCIÓN:** Cuando instale el disco de diamante, asegúrese de apretar el perno firmemente.

**PRECAUCIÓN:** Instale siempre el disco de diamante de forma que la flecha en el disco de diamante apunte en la misma dirección que la flecha en la caja del disco de diamante. De lo contrario el disco girará hacia atrás y podrá ocasionar heridas personales.

► **Fig.7:** 1. Bloqueo del eje 2. Llave hexagonal 3. Apretar 4. Aflojar

► **Fig.8:** 1. Perno hexagonal 2. Brida exterior 3. Disco de diamante 4. Brida interior 5. Flecha

Para retirar el disco de diamante, presione el bloqueo del eje completamente de forma que el disco de diamante no pueda girar y utilice la llave hexagonal para aflojar el perno hexagonal hacia la izquierda. Después retire el perno hexagonal, la brida exterior y el disco de diamante.

Para instalar el disco de diamante, siga el procedimiento de desmontaje a la inversa. Asegúrese siempre de instalar el disco de diamante de forma que la flecha en el disco apunte en la misma dirección que la flecha en la caja del disco de diamante.

**ASEGÚRESE DE APRETAR EL PERNO HEXAGONAL FIRMEENTE.**

- Fig.9: 1. Perno hexagonal 2. Brida exterior  
3. Disco de diamante 4. Brida interior  
5. Protuberancia (lado más grande)

**NOTA:** Si una brida interior es retirada por casualidad, instale la brida interior de forma que su saliente (lado más grande) esté orientado hacia dentro como se muestra en la figura.

## Para guardar la llave hexagonal

- Fig.10: 1. Llave hexagonal

Cuando no la esté utilizando, coloque la llave hexagonal como se muestra en la figura para evitar perderla.

## Instalación del suministro de agua

Afíje el tornillo A.

Deslice el soporte del depósito a fondo a lo largo del alojamiento del motor de manera que la hendidura de la banda (parte del soporte del depósito) quede posicionada justo debajo de la cabeza del tornillo de la herramienta como se muestra en la ilustración.

Después apriete el tornillo A.

- Fig.11: 1. Tornillo A 2. Soporte del depósito  
3. Alojamiento del motor 4. Hendidura de la banda (parte del soporte del depósito)  
5. Cabeza del tornillo de la herramienta

Coloque el depósito en el soporte del depósito de manera que el soporte del depósito encaje entre el tubo y los puntos. Conecte la tapa del extremo del tubo en la boca del depósito. Gire el depósito hacia la derecha. Después apriete el tornillo B.

- Fig.12: 1. Depósito 2. Tubo 3. Tornillo B

## Suministro de agua

**PRECAUCIÓN:** Cuando llene el depósito con agua, tenga cuidado de no dejar que la herramienta se moje.

Asegúrese de que la llave de paso del suministro de agua está cerrada antes de llenar el depósito con agua. Abra la tapa del depósito y llene agua. Vuelva a poner la tapa en el depósito.

- Fig.13: 1. Llave de paso del suministro de agua  
2. Cerrar 3. Abrir

- Fig.14: 1. Tapa 2. Abrir

# OPERACIÓN

**PRECAUCIÓN:** Esta herramienta deberá ser utilizada solamente sobre superficies horizontales.

**PRECAUCIÓN:** Asegúrese de sujetar la pieza de trabajo firmemente en un banco de trabajo o mesa estable durante la operación.

**PRECAUCIÓN:** No retuerza o fuerce la herramienta en el corte, porque el motor podrá sobrecargarse o la pieza de trabajo romperse.

**PRECAUCIÓN:** No utilice la herramienta con el disco de diamante en una posición hacia arriba o hacia los lados.

**PRECAUCIÓN:** El disco para esta herramienta es un disco de diamante de tipo húmedo para aplicaciones en cristal o baldosas.

Asegúrese de suministrar agua al disco de diamante durante la operación.

**PRECAUCIÓN:** Si la acción de corte del disco de diamante empieza a disminuir, reacondicione el borde de corte del disco utilizando una muela de rectificar de grano grueso vieja o un bloque de hormigón. Reacondicione presionando ligeramente sobre el borde exterior del disco de diamante.

- Fig.15

Sujete la herramienta firmemente. Ajuste la placa base en la pieza de trabajo que va a cortar sin que el disco esté haciendo ningún contacto.

Después encienda la herramienta y espere hasta que el disco adquiera plena velocidad.

Suministre agua al disco ajustando la llave de paso del suministro de agua para obtener un flujo de agua moderado.

Mueva la herramienta hacia delante sobre la superficie de la pieza de trabajo, manteniéndola plana y avanzando suavemente hasta completar el corte. Mantenga la línea de corte recta y la velocidad de avance uniforme.

Para cortes finos y limpios, corte despacio. (Cuando corte placas de cristal de 5 mm de grosor, corte a unos 250 mm/min. Cuando corte baldosas de 10 mm de grosor, corte a unos 300 mm/min.) También reduzca la velocidad de corte a medida que vaya completando el corte para evitar romper o agrietar la pieza de trabajo que está cortando.

**NOTA:** Cuando la temperatura del cartucho de batería sea baja, la herramienta podrá no rendir a toda su capacidad. Llegado este momento, utilice la herramienta durante un rato para hacer cortes ligeros hasta que el cartucho de batería alcance la temperatura ambiente. Después, la herramienta puede rendir a toda su capacidad.

**NOTA:** Antes de la operación asegúrese de que la llave de paso del suministro de agua está cerrada.

## MANTENIMIENTO

**⚠PRECAUCIÓN:** Asegúrese siempre de que la herramienta está apagada y de que el cartucho de batería está retirado antes de intentar hacer una inspección o mantenimiento.

**AVISO:** No utilice nunca gasolina, bencina, disolvente, alcohol o similares. Podría producir descoloración, deformación o grietas.

Para mantener la SEGURIDAD y FIABILIDAD del producto, las reparaciones, y cualquier otra tarea de mantenimiento o ajuste deberán ser realizadas en centros de servicio o de fábrica autorizados por Makita, empleando siempre repuestos Makita.

## ACCESORIOS OPCIONALES

**⚠PRECAUCIÓN:** Estos accesorios o aditamentos están recomendados para su uso con la herramienta Makita especificada en este manual.

El uso de cualquier otro accesorio o aditamento puede suponer un riesgo de heridas personales. Utilice el accesorio o aditamento solamente con la finalidad indicada para el mismo.

Si necesita cualquier ayuda para más detalles en relación con estos accesorios, pregunte al centro de servicio Makita local.

- Discos de diamante
- Llave hexagonal
- Batería y cargador genuinos de Makita

**NOTA:** Algunos elementos de la lista podrán estar incluidos en el paquete de la herramienta como accesorios estándar. Pueden variar de un país a otro.

## ESPECIFICAÇÕES

Modelo:	CC301D	
Diâmetro do disco diamantado	85 mm	
Espessura máx. do disco	0,8 mm	
Profundidade máx. de corte	com um ângulo de bisel de 0°	25,5 mm
	com um ângulo de bisel de 45°	16,5 mm
Velocidade nominal	1.500 min <sup>-1</sup>	
Voltagem nominal	CC 10,8 V	
Bateria	BL1015, BL1020B	BL1040B
Comprimento geral	313 mm	331 mm
Peso líquido	1,8 kg	1,9 kg

- Devido a um programa contínuo de pesquisa e desenvolvimento, estas especificações estão sujeitas a alteração sem aviso prévio.
- As especificações e a bateria podem variar de país para país.
- Peso, com a bateria, de acordo com o Procedimento 01/2003 da EPTA (European Power Tool Association)

### Utilização a que se destina

Esta ferramenta serve para cortar materiais de vidro e alvenaria com um disco diamantado e água.

### Ruído

A característica do nível de ruído A determinado de acordo com a EN60745:

Nível de pressão acústica ( $L_{pA}$ ): 84 dB (A)

Nível de potência acústica ( $L_{WA}$ ): 95 dB (A)

Variabilidade (K): 3 dB (A)

**AVISO:** Utilize protetores auriculares.

### Vibração

Valor total da vibração (soma vetorial tri-axial) determinado de acordo com a EN60745:

Modo de trabalho: corte de betão

Emissão de vibração ( $a_{h1}$ ): 2,5 m/s<sup>2</sup> ou menos

Variabilidade (K): 1,5 m/s<sup>2</sup>

**NOTA:** O valor da emissão de vibração indicado foi medido de acordo com o método de teste padrão e pode ser utilizado para comparar duas ferramentas.

**NOTA:** O valor da emissão de vibração indicado pode também ser utilizado na avaliação preliminar da exposição.

**AVISO:** A emissão de vibração durante a utilização real da ferramenta elétrica pode diferir do valor de emissão indicado, dependendo das formas como a ferramenta é utilizada.

**AVISO:** Certifique-se de identificar as medidas de segurança para proteção do operador que sejam baseadas em uma estimativa de exposição em condições reais de utilização (considerando todas as partes do ciclo de operação, tal como quando a ferramenta está desligada e quando está a funcionar em marcha lenta além do tempo de acionamento).

### Declaração de conformidade da CE

*Apenas para os países europeus*

A declaração de conformidade da UE está incluída como Anexo A neste manual de instruções.

## AVISOS DE SEGURANÇA

### Avisos gerais de segurança para ferramentas elétricas

**AVISO:** Leia todos os avisos de segurança e todas as instruções. O não cumprimento de todos os avisos e instruções pode originar choque elétrico, incêndio e/ou ferimentos graves.

### Guarde todos os avisos e instruções para futuras referências.

O termo "ferramenta elétrica" nos avisos refere-se às ferramentas elétricas ligadas à corrente elétrica (com cabo) ou às ferramentas elétricas operadas por meio de bateria (sem cabo).

## Avisos de segurança para a cortadora a bateria

1. **A proteção fornecida com a ferramenta deve ser colocada firmemente na ferramenta elétrica e posicionada para segurança máxima, para que o mínimo de disco fique exposto em direção ao operador. Posicione-se a si e às pessoas presentes longe do plano do disco rotativo.** A proteção ajuda a proteger o operador de fragmentos de disco partido e do contacto accidental com o disco.
2. **Utilize somente discos de corte diamantados na ferramenta elétrica.** O facto do acessório poder ser instalado na ferramenta elétrica não garante um funcionamento com segurança.
3. **A velocidade nominal do acessório deve ser, pelo menos, igual à velocidade máxima marcada na ferramenta elétrica.** Os acessórios que funcionam mais rápido do que a velocidade nominal podem partir-se e ser arremessados.
4. **Os discos devem ser usados somente para as aplicações recomendadas. Por exemplo: não triture com a parte lateral do disco de corte.** Os discos de corte abrasivos servem para trituração periférica, as forças laterais aplicadas a estes discos podem fazer com que eles se estilizem.
5. **Utilize sempre flanges de disco não danificadas de diâmetro correto para o disco selecionado.** As flanges apropriadas apoiam o disco, reduzindo a possibilidade de quebra do mesmo.
6. **O diâmetro externo e a espessura do acessório devem estar dentro da classificação da capacidade da ferramenta elétrica.** Não é possível proteger ou controlar adequadamente acessórios de tamanho incorreto.
7. **O tamanho do orifício de encaixe dos discos e flanges deve ser adequado ao veio da ferramenta elétrica.** Os discos e flanges com orifícios de encaixe que não correspondem ao hardware de montagem da ferramenta elétrica ficam desequilibrados, vibram excessivamente e podem causar a perda de controlo.
8. **Não utilize discos danificados. Antes de cada utilização, examine os discos a fim de verificar se há fissuras e rachaduras. Se a ferramenta elétrica ou o disco cair, verifique se o disco está danificado ou instale um disco novo.** Depois de inspecionar e instalar o disco, certifique-se de que os espetadores, bem como você mesmo, ficam afastados da área do disco rotativo e faça funcionar a ferramenta elétrica em vazio, à velocidade máxima, durante um minuto. Normalmente, os discos danificados partem-se durante este teste.
9. **Utilize equipamento de proteção pessoal. Utilize um protetor facial, óculos de segurança ou protetores oculares, conforme a aplicação. Conforme adequado, utilize uma máscara contra o pó, protetores auriculares, luvas e avental capazes de resguardar contra partículas abrasivas ou estilhaços da peça de trabalho.** O protetor ocular deve ter capacidade para resguardar contra detritos arremessados produzidos durante as várias operações. A máscara contra

- o pó ou de respiração deve ter capacidade para filtrar as partículas geradas durante a operação. A exposição prolongada a ruídos de alta intensidade pode causar a perda de audição.
10. **Mantenha os espetadores afastados da área de trabalho, a uma distância segura. Todas as pessoas que entram na área de trabalho devem utilizar equipamentos de proteção pessoal.** Os fragmentos da peça de trabalho ou de um disco partido podem ser atirados para além da área imediata da operação e causar ferimentos.
11. **Agarre na ferramenta elétrica somente pelas superfícies das pegas isoladoras quando executar uma operação em que o acessório de corte possa entrar em contacto com fios ocultos.** O contacto do acessório de corte com um fio com corrente pode carregar as partes metálicas expostas da ferramenta elétrica e causar um choque elétrico no operador.
12. **Posicione o fio longe do acessório em rotação.** Se perder o controlo, o fio pode ser cortado ou ficar preso e a sua mão ou braço pode ser puxado em direção ao disco em rotação.
13. **Nunca pouse a ferramenta elétrica antes de o acessório parar completamente.** O disco em rotação pode prender na superfície e puxar a ferramenta elétrica, causando a perda de controlo.
14. **Não faça a ferramenta elétrica funcionar enquanto a carrega ao seu lado.** O contacto accidental com o acessório em rotação pode prender a sua roupa e puxar o acessório na direção do seu corpo.
15. **Limpe regularmente os orifícios de ventilação da ferramenta elétrica.** A ventoinha do motor atrai o pó para dentro da caixa e a acumulação excessiva de metal pulverizado pode causar choque elétrico.
16. **Não utilize a ferramenta elétrica perto de materiais inflamáveis.** As faíscas podem incendiar esses materiais.

### Avisos sobre recuos e outros avisos relacionados

O recuo é uma reação repentina a um disco rotativo que fica bloqueado ou encravado. O bloqueio ou encravamento causa a paragem imediata do disco rotativo que, por sua vez, faz com que a ferramenta elétrica fora de controlo seja forçada na direção oposta à da rotação do disco, no momento que fica preso.

Por exemplo, se um disco abrasivo ficar encravado ou bloqueado na peça de trabalho, a borda do disco que está a entrar no ponto onde bloqueou pode entrar na superfície do material fazendo com que o disco salte ou provoque um contragolpe. O disco pode pular na direção do operador ou na direção oposta, dependendo do sentido do movimento do disco no ponto onde ficou preso. Os discos abrasivos também podem partir nessas condições.

O recuo é o resultado da utilização imprópria da ferramenta elétrica e/ou de procedimentos ou condições de funcionamento incorretos e pode ser evitado tomando-se as medidas de precaução adequadas, como indicado abaixo.

1. **Segure a ferramenta elétrica com firmeza e posicione-se de tal forma que o seu corpo e braço lhe permitam resistir à força do recuo. Utilize sempre a pega auxiliar, se fornecida, para um controlo máximo do recuo ou da reação do binário durante o arranque.** O operador pode controlar as reações do binário ou as forças do recuo se tomar as precauções necessárias.
2. **Nunca coloque a sua mão próxima do acessório rotativo.** O acessório pode recuar sobre a sua mão.
3. **Não posicione o seu corpo alinhado com o disco rotativo.** O recuo impulsionará a ferramenta na direção oposta à do movimento do disco no ponto onde fica preso.
4. **Tenha todo o cuidado quando trabalhar cantos, extremidades aguçadas, etc. Evite balouçar e bater no acessório.** Os cantos, as extremidades aguçadas ou os ressaltos tendem a prender o acessório rotativo e causar perda de controlo ou recuo.
5. **Não coloque uma corrente de serra, um lâmina para esculpir madeira, um disco diamantado segmentado com um intervalo periférico superior a 10 mm ou uma lâmina de serra dentada.** Estas lâminas criam recuos frequentes e perda de controlo.
6. **Não bloqueie o disco nem exerça pressão excessiva. Não tente efetuar um corte muito profundo.** Sujeitar o disco a esforço excessivo aumenta a carga e a suscetibilidade de torção ou encravamento do disco no corte e a possibilidade de recuo ou quebra do disco.
7. **Se o disco ficar preso ou se interromper o corte por qualquer motivo, desligue a ferramenta elétrica e segure-a imóvel até o disco parar completamente. Nunca tente retirar o disco do corte enquanto ainda estiver em rotação, caso contrário poderá ocorrer um recuo.** Verifique e tome as medidas corretivas para eliminar a causa do encravamento do disco.
8. **Não reinicie a operação de corte na peça de trabalho. Aguarde até que o disco atinja a velocidade máxima e coloque-o cuidadosamente no corte.** O disco pode encravar, saltar ou recuar se ligar a ferramenta elétrica quando ela estiver em contacto com a peça de trabalho.
9. **Apoie painéis ou peças de trabalho muito grandes para minimizar o risco do disco prender e causar um recuo.** As peças de trabalho grandes tendem a ceder sob o seu próprio peso. Os apoios devem ser colocados debaixo da peça de trabalho, perto da linha de corte e da borda da peça de trabalho, nos dois lados do disco.
10. **Tenha cuidado especialmente ao fazer um “corte penetrante” em paredes ou outras áreas desconhecidas.** O disco exposto pode cortar canos de gás ou de água, cablagens elétricas ou outros objetos que podem causar recuo.

#### Avisos de segurança adicionais:

1. **Antes de utilizar um disco diamantado segmentado, certifique-se de que o disco diamantado tem um intervalo periférico entre segmentos de 10 mm ou menos, apenas com um ângulo de inclinação negativo.**

2. **Nunca tente cortar com a ferramenta virada ao contrário num torno. Isso pode provocar acidentes graves, porque é extremamente perigoso.**
3. **Alguns materiais contêm químicos que podem ser tóxicos. Tenha cuidado para evitar a inalação de pó e o contacto com a pele. Siga a ficha de dados de segurança do fornecedor do material.**
4. **Armazene os discos de acordo com as recomendações do fabricante. Um armazenamento inadequado pode danificar os discos.**

## GUARDE ESTAS INSTRUÇÕES.

**AVISO:** NÃO permita que o conforto ou familiaridade com o produto (adquirido com o uso repetido) substitua o cumprimento estrito das regras de segurança da ferramenta. A MÁ INTERPRETAÇÃO ou o não seguimento das regras de segurança estabelecidas neste manual de instruções pode provocar ferimentos pessoais graves.

## Instruções de segurança importantes para a bateria

1. **Antes de utilizar a bateria, leia todas as instruções e etiquetas de precaução no (1) carregador de bateria (2) bateria e (3) produto que utiliza a bateria.**
2. **Não abra a bateria.**
3. **Se o tempo de funcionamento se tornar excessivamente curto, pare o funcionamento imediatamente. Pode resultar em sobreaquecimento, possíveis queimaduras e mesmo explosão.**
4. **Se entrar eletrólito nos seus olhos, lave-os com água e consulte imediatamente um médico. Pode resultar em perda de visão.**
5. **Não coloque a bateria em curto-circuito:**
  - (1) **Não toque nos terminais com qualquer material condutor.**
  - (2) **Evite guardar a bateria juntamente com outros objetos metálicos tais como pregos, moedas, etc.**
  - (3) **Não exponha a bateria à água ou chuva. Um curto-circuito pode ocasionar um enorme fluxo de corrente, sobreaquecimento, possíveis queimaduras e mesmo estragar-se.**
6. **Não guarde a ferramenta e a bateria em locais onde a temperatura pode atingir ou exceder 50°C.**
7. **Não queime a bateria mesmo que esteja estragada ou completamente gasta. A bateria pode explodir no fogo.**
8. **Tenha cuidado para não deixar cair ou dar pancadas na bateria.**
9. **Não utilize uma bateria danificada.**
10. **As baterias de íões de lítio contidas na ferramenta são sujeitas aos requisitos da DGL (Dangerous Goods Legislation - Legislação de bens perigosos).**  
Para o transporte comercial, por exemplo, por

terceiros ou agentes de expedição, têm de ser observados os requisitos referentes à embalagem e etiquetagem.

Para preparação do artigo a ser expedido, é necessário consultar um perito em materiais perigosos. Tenha ainda em conta a possibilidade de existirem regulamentos nacionais mais detalhados.

Coloque fita-cola ou tape os contactos abertos e embale a bateria de tal forma que não possa mover-se dentro da embalagem.

11. **Siga os regulamentos locais relacionados com a eliminação de baterias.**

## GUARDE ESTAS INSTRUÇÕES.

**⚠️PRECAUÇÃO:** Utilize apenas baterias genuínas da Makita. A utilização de baterias não genuínas da Makita ou de baterias que foram alteradas, pode resultar no rebentamento da bateria provocando incêndios, ferimentos pessoais e danos. Além disso, anulará da garantia da Makita no que se refere à ferramenta e ao carregador Makita.

## Conselhos para manter a máxima vida útil da bateria

1. **Carregue a bateria antes que esteja completamente descarregada. Pare sempre o funcionamento da ferramenta e carregue a bateria quando notar menos poder na ferramenta.**
2. **Nunca carregue uma bateria completamente carregada. Carregamento excessivo diminui a vida útil da bateria.**
3. **Carregue a bateria à temperatura ambiente de 10°C – 40°C. Deixe que uma bateria quente arrefeça antes de a carregar.**

## DESCRIÇÃO FUNCIONAL

**⚠️PRECAUÇÃO:** Certifique-se sempre de que a ferramenta está desligada e a bateria foi retirada antes de regular ou verificar qualquer função na ferramenta.

## Instalação ou remoção da bateria

**⚠️PRECAUÇÃO:** Desligue sempre a ferramenta antes de colocar ou retirar a bateria.

**⚠️PRECAUÇÃO:** Segure firmemente a ferramenta e a bateria quando instalar ou remover a bateria. Se não segurar firmemente a ferramenta e a bateria pode fazer com que escorreguem das suas mãos resultando em danos na ferramenta e na bateria e ferimentos pessoais.

► **Fig.1:** 1. Indicador vermelho 2. Botão 3. Bateria

Para retirar a bateria, deslize-a para fora da ferramenta enquanto desliza o botão na frente da bateria.

Para instalar a bateria, alinhe a lingueta da bateria com a ranhura no compartimento e deslize-a no lugar. Empurre-a até o fim para que a mesma encaixe no lugar com um clique. Se puder ver a parte vermelha no lado superior do botão, significa que não está completamente bloqueada.

**⚠️PRECAUÇÃO:** Instale sempre a bateria até ao fim, até deixar de ver o indicador vermelho. Caso contrário, a bateria poderá cair da ferramenta acidentalmente e provocar ferimentos em si mesmo ou em alguém próximo.

**⚠️PRECAUÇÃO:** Não instale a bateria à força. Se a bateria não deslizar facilmente é porque não foi colocada corretamente.

## Sistema de proteção da bateria

A ferramenta está equipada com um sistema de proteção da bateria. Este sistema corta automaticamente a energia para o motor a fim de prolongar a vida útil da bateria.

A ferramenta para automaticamente durante o funcionamento se a mesma e/ou a bateria estiver numa das seguintes circunstâncias:

### Sobrecarga:

A ferramenta é utilizada de tal forma que puxa uma corrente elevada demais.

Neste caso, desligue a ferramenta e pare a aplicação que fez com que a ferramenta ficasse sobrecarregada. Depois, ligue a ferramenta para a reiniciar.

Se a ferramenta não reiniciar, a bateria está sobreaquecida. Nesta situação, deixe a bateria arrefecer antes de voltar a ligar a ferramenta.

### Baixa tensão da bateria:











A carga restante da bateria está baixa demais e a ferramenta não funciona. Se ligar a ferramenta, o motor funciona novamente mas para logo a seguir. Nesse caso, retire a bateria e recarregue-a.

## Indicação da capacidade restante da bateria

*Apenas as baterias com a indicação "B" no final do número do modelo*

► **Fig.2:** 1. Luzes indicadoras 2. Botão de verificação

Prima o botão de verificação na bateria para indicar a capacidade restante da bateria. As luzes indicadoras acendem durante alguns segundos.

Luzes indicadoras		Carga restante
 Aceso	 Desligada	
		75% a 100%
		50% a 75%
		25% a 50%
		0% a 25%

**NOTA:** Dependendo das condições de utilização e da temperatura ambiente, a indicação pode ser ligeiramente diferente da capacidade real.

## Regulação da profundidade do corte

**⚠️ PRECAUÇÃO:** Depois de regular a profundidade de corte, aperte sempre o parafuso de fixação com segurança.

- **Fig.3:** 1. Parafuso de fixação 2. Guia de profundidade

Solte o parafuso de fixação na guia de profundidade e mova a base para cima ou para baixo. Fixe a base na profundidade de corte pretendida apertando o parafuso de fixação.

## Corte de bisel

- **Fig.4:** 1. Parafuso de fixação 2. Chapa de escala de bisel

Afrouxe o aperto do parafuso de fixação da chapa de escala de bisel na parte da frente da base. Incline até obter o ângulo desejado ( $0^\circ - 45^\circ$ ) e, em seguida, aperte firmemente o parafuso de fixação.

## Mira

- **Fig.5:** 1. Linha de corte

Para cortes retos, alinhe a posição A na frente da base com a linha de corte que pretende cortar. Para cortes de bisel de  $45^\circ$ , alinhe a posição B com a mesma.

## Ação do interruptor

**⚠️ PRECAUÇÃO:** Antes de colocar a bateria na ferramenta, verifique sempre se o gatilho do interruptor funciona corretamente e volta para a posição "OFF" quando libertado.

**⚠️ PRECAUÇÃO:** Não puxe o gatilho com força sem premir a alavanca de desbloqueio. Pode partir o gatilho.

- **Fig.6:** 1. Alavanca de desbloqueio 2. Gatilho

Para evitar que o gatilho seja acionado acidentalmente, existe uma alavanca de desbloqueio. Para começar a utilizar a ferramenta, deslize a alavanca de desbloqueio e carregue no gatilho. Liberte o gatilho para parar.

## MONTAGEM

**⚠️ PRECAUÇÃO:** Certifique-se sempre de que a ferramenta está desligada e a bateria retirada antes de executar qualquer trabalho na ferramenta.

## Instalar ou remover o disco diamantado

**⚠️ PRECAUÇÃO:** Utilize só a chave Makita para instalar ou retirar o disco diamantado.

**⚠️ PRECAUÇÃO:** Quando instalar o disco diamantado, certifique-se de que aperta o perno em segurança.

**⚠️ PRECAUÇÃO:** Instale sempre o disco diamantado de forma que a seta no disco diamantado fique a apontar para a mesma direção da seta na caixa do disco diamantado. Caso contrário, o disco gira no sentido inverso e pode provocar ferimentos pessoais.

- **Fig.7:** 1. Bloqueio do eixo 2. Chave hexagonal 3. Apertar 4. Soltar
- **Fig.8:** 1. Perno hexagonal 2. Flange exterior 3. Disco diamantado 4. Flange interior 5. Seta

Para remover o disco diamantado, prima o bloqueio do eixo até ao fim, de forma que o disco diamantado não possa rodar, e utilize a chave hexagonal para soltar o perno hexagonal para a esquerda. Em seguida, retire o perno hexagonal, a flange exterior e o disco diamantado.

Para instalar o disco diamantado, siga o procedimento de remoção pela ordem inversa. Certifique-se de que o disco diamantado está instalado de forma que a seta no disco fique a apontar para a mesma direção da seta na caixa do disco diamantado.

**CERTIFIQUE-SE DE QUE APERTA SEGURAMENTE O PERNO HEXAGONAL.**

- **Fig.9:** 1. Perno hexagonal 2. Flange exterior 3. Disco diamantado 4. Flange interior 5. Saliência (lado maior)

**NOTA:** Se, por qualquer razão, a flange interior for retirada, instale a flange interior de forma que a respetiva saliência (lado maior) fique virada para dentro, como apresentado na figura.

## Armazenamento da chave hexagonal

- **Fig.10:** 1. Chave hexagonal

Quando não a estiver a utilizar, guarde a chave hexagonal como indicado na figura para não a perder.

## Instalar o abastecimento de água

Solte o parafuso A.

Deslize o suporte do depósito até ao fim sobre a caixa do motor de forma que o entalhe da cinta (parte do suporte do depósito) fique posicionado logo abaixo da cabeça do parafuso da ferramenta, como ilustrado. Depois, aperte o parafuso A.

- **Fig.11:** 1. Parafuso A 2. Suporte do depósito 3. Caixa do motor 4. Entalhe da cinta (parte do suporte do depósito) 5. Cabeça do parafuso da ferramenta

Prenda o depósito no suporte do depósito de forma que o suporte do depósito encaixe entre o degrau e os pontos. Ligue o tampão na extremidade do tubo à boca do depósito. Gire o depósito para a direita. Depois, aperte o parafuso B.

- **Fig.12:** 1. Depósito 2. Tubo 3. Parafuso B



## Abastecimento de água

**⚠️ PRECAUÇÃO:** Quando encher o depósito com água, tenha cuidado para não molhar a ferramenta.

Certifique-se de que a torneira de abastecimento de água está fechada antes de encher o depósito com água. Abra o tampão no depósito e encha com água. Volte a tapar o depósito.

► **Fig.13:** 1. Torneira de abastecimento de água  
2. Fechar 3. Abrir

► **Fig.14:** 1. Tampão 2. Abrir

## OPERAÇÃO

**⚠️ PRECAUÇÃO:** Esta ferramenta só deve ser utilizada em superfícies horizontais.

**⚠️ PRECAUÇÃO:** Certifique-se de que segura firmemente a peça de trabalho sobre uma bancada ou mesa estável durante a operação.

**⚠️ PRECAUÇÃO:** Não gire nem force a ferramenta dentro do corte, caso contrário, o motor pode ficar sobrecarregado ou a peça de trabalho pode partir-se.

**⚠️ PRECAUÇÃO:** Não utilize a ferramenta com o disco diamantado numa posição reta ou lateral.

**⚠️ PRECAUÇÃO:** O disco desta ferramenta é um disco diamantado do tipo húmido para aplicações de vidro e ladrilho. Certifique-se de que há abastecimento de água ao disco diamantado durante a operação.

**⚠️ PRECAUÇÃO:** Se a ação de corte do disco diamantado começar a diminuir, afie a extremidade de corte do disco com um disco de amolar de bancada de areia grosseiro e usado ou com um bloco de betão. Afie pressionando ligeiramente a extremidade exterior do disco diamantado.

► **Fig.15**

Segure a ferramenta firmemente. Coloque a placa base na peça de trabalho a ser cortada sem que o disco lhe toque.

Depois, ligue a ferramenta e espere até que o disco atinja a velocidade máxima.

Abasteça água ao disco ajustando a torneira de abastecimento de água para obter um fluxo suave.

Mova a ferramenta para a frente sobre a superfície da peça de trabalho, mantendo-a nivelada e avançando suavemente até o corte estar concluído. Mantenha a linha de corte reta e a velocidade de avanço uniforme.

Para obter cortes finos e limpos, corte suavemente. (Quando cortar placas de vidro com 5 mm de espessura, corte cerca de 250 mm/min. Quando cortar ladrilhos com 10 mm de espessura, corte cerca de 300 mm/min.) Abrande igualmente quando estiver a terminar o corte para evitar partir ou rachar a peça de trabalho que está a cortar.

**NOTA:** Quando a temperatura da bateria está baixa, a ferramenta pode não funcionar com a sua capacidade total. Nesta altura, por exemplo, utilize a ferramenta para cortes leves durante algum tempo, até a bateria aquecer até atingir a temperatura ambiente. Depois disso, a ferramenta pode funcionar com a sua capacidade total.

**NOTA:** Certifique-se de que a torneira de abastecimento de água está fechada antes da operação.

## MANUTENÇÃO

**⚠️ PRECAUÇÃO:** Certifique-se sempre de que a ferramenta se encontra desligada e de que a bateria foi retirada antes de executar qualquer inspeção ou manutenção.

**OBSERVAÇÃO:** Nunca utilize gasolina, benzina, diluente, álcool ou produtos semelhantes. Pode ocorrer a descoloração, deformação ou rachaduras.

Para manter a SEGURANÇA e a FIABILIDADE do produto, as reparações e qualquer outra manutenção ou ajuste devem ser levados a cabo pelos centros de assistência Makita autorizados ou pelos centros de assistência de fábrica, utilizando sempre peças de substituição Makita.

## ACESSÓRIOS OPCIONAIS

**⚠️ PRECAUÇÃO:** Estes acessórios ou peças são recomendados para utilização com a ferramenta Makita especificada neste manual. A utilização de outros acessórios ou peças pode ser perigosa para as pessoas. Utilize apenas acessórios ou peças para os fins indicados.

Se necessitar de informações adicionais relativas a estes acessórios, solicite-as ao seu centro de assistência Makita.

- Discos diamantados
- Chave sextavada
- Bateria e carregador genuínos da Makita

**NOTA:** Alguns itens da lista podem estar incluídos na embalagem da ferramenta como acessórios padrão. Eles podem variar de país para país.

## SPECIFIKATIONER

Model:	CC301D	
Diameter af diamantskive	85 mm	
Maks. skivetykkelse	0,8 mm	
Maks. skæredybde	ved 0° skråsnitsvinkel	25,5 mm
	ved 45° skråsnitsvinkel	16,5 mm
Mærkehastighed	1.500 min <sup>-1</sup>	
Mærkespænding	D.C. 10,8 V	
Akku	BL1015, BL1020B	BL1040B
Længde i alt	313 mm	331 mm
Nettovægt	1,8 kg	1,9 kg

- På grund af vores kontinuerlige forsknings- og udviklingsprogrammer kan hosstående specifikationer blive ændret uden varsel.
- Specifikationer og akku kan variere fra land til land.
- Vægt inklusive akku, i henhold til EPTA-Procedure 01/2003

### Tilsligtet anvendelse

Maskinen er beregnet til at skære i glas- og murværksmaterialer med en diamantskive og ved brug af vand.

### Lyd

Det typiske A-vægtede støjniveau bestemt i overensstemmelse med EN60745:

Lydtryksniveau ( $L_{p(A)}$ ): 84 dB (A)

Lydeffektniveau ( $L_{WA}$ ): 95 dB (A)

Usikkerhed (K): 3 dB (A)

**⚠ ADVARSEL:** Bær høreværn.

### Vibration

Vibrationens totalværdi (tre-aksial vektorsum) bestemt i overensstemmelse med EN60745:

Arbejdstilstand: skæring i beton

Vibrationsemission ( $a_{hv}$ ): 2,5 m/s<sup>2</sup> eller mindre

Usikkerhed (K): 1,5 m/s<sup>2</sup>

**BEMÆRK:** Den angivne vibrationsemissionsværdier blevet målt i overensstemmelse med standardtestmetoden og kan anvendes til at sammenligne et værktøj med et andet.

**BEMÆRK:** Den angivne vibrationsemissionsværdien kan også anvendes i en præliminær eksponeringsvurdering.

**⚠ ADVARSEL:** Vibrationsemissionen under den faktiske anvendelse af værktøjet kan være forskellig fra den erklærede emissionsværdi, afhængigt af den måde, hvorpå værktøjet anvendes.

**⚠ ADVARSEL:** Sørg for at identificere de sikkerhedsforskrifter til beskyttelse af operatøren, som er baseret på en vurdering af eksponering under de faktiske brugsforhold (med hensyntagen til alle dele i brugscyklussen, f.eks. de gange, hvor værktøjet er slukket, og når det kører i tomgang i tilgift til afbrydertiden).

### EU-overensstemmelseserklæring

#### Kun for lande i Europa

EU-overensstemmelseserklæringen er inkluderet som Bilag A i denne brugsanvisning.

## SIKKERHEDSADVARSLER

### Almindelige sikkerhedsregler for el-værktøj

**⚠ ADVARSEL:** Læs alle sikkerhedsadvarsler og alle sikkerhedsinstruktioner. Hvis nedenstående advarsler og instruktioner ikke overholdes, kan det medføre elektrisk stød, brand og/eller alvorlig personskade.

### Gem alle advarsler og instruktioner til fremtidig reference.

Ordet "el-værktøj" i advarslerne henviser til det netforsynede (netledning) el-værktøj eller batteriforsynede (akku) el-værktøj.

1. **Den beskyttelsesskærm, der følger med værktøjet, skal monteres forsvarligt på værktøjet og placeres, så maksimal sikkerhed opnås, således at operatøren er udsat for den mindst mulige del af skiven. De selv og omkringstående må ikke stå i den roterende skives plan. Beskyttelsesskærmen bidrager til at beskytte operatøren mod afbrækkede skivefragmenter og utilsigtet kontakt med skiven.**
2. **Anvend kun diamantklingskiver til Deres værktøj.** Selvom ekstraudstyret kan monteres på værktøjet, kan sikker betjening ikke garanteres.
3. **Tilbehørets mærkehastighed skal mindst være den samme som den maksimale hastighed, som er angivet på værktøjet.** Tilbehørsdele, som kører hurtigere end deres mærkehastighed, kan brække og slynges bort.
4. **Skiver må kun anvendes til de anbefalede formål. For eksempel: Undlad at slibe med siden af afskæringsskiven.** Slibeafsæringsskiver er beregnet til perifer slibning, og hvis disse skiver udsættes for sidetryk, kan de gå i stykker.
5. **Anvend altid ubeskadigede skiveflanger, som har den rigtige diameter, til den valgte skive.** Korrekte skiveflanger understøtter skiven, hvilket reducerer risikoen for, at skiven brækker.
6. **Den udvendige diameter og tykkelsen på Deres tilbehør skal være inden for værktøjets kapacitetsnormering.** Tilbehør af forkert størrelse kan ikke beskyttes eller kontrolleres på tilstrækkelig vis.
7. **Skivernes og flangernes dornstørrelse skal passe nøjagtigt til maskinens spindel.** Skiver og flanger med dornhuller, som ikke passer til maskinens monteringsdele, vil køre ubalanceret, vibrere kraftigt og kan bevirke, at du mister herredømmet over maskinen.
8. **Anvend ikke beskadigede skiver.** Inden hver brug skal De efterse skiverne for hakker og revner. Hvis værktøjet eller skiven har været tabt, skal de efterses for beskadigelse, eller der skal monteres en ubeskadiget skive. Når skiven er efterset og monteret, skal De og eventuelle omkringstående stille Dem uden for den roterende skives plan og derefter lade værktøjet køre ved maksimal hastighed uden belastning i et minut. Beskadigede skiver vil normalt brække i løbet af denne testperiode.
9. **Anvend altid personligt beskyttelsesudstyr.** Afhængigt af arbejdets art skal De anvende ansigtsmaske, beskyttelsesbriller eller sikkerhedsbriller. Efter behov skal der anvendes støvmaske, høreværn, handsker og beskyttelsesforklæde, som er i stand til at stoppe små fragmenter fra slibeskiven eller arbejdsemnet. Øjenbeskyttelsen skal kunne stoppe flyvende partikler, som frembringes af forskellige betjening. Støvmasken eller åndedrætsværnet skal være i stand til at filtrere partikler, som frembringes under arbejdet. Længere tids udsættelse for støj af høj intensitet kan medføre høreskader.

10. **Sørg for at holde omkringstående på en sikker afstand af arbejdsområdet.** Enhver person, som befinder sig i arbejdsområdet, skal bære personligt beskyttelsesudstyr. Fragmenter fra arbejdsemnet eller fra en brækket skive kan slynges af og forårsage personskade uden for det umiddelbare arbejdsområde.
11. **Hold udelukkende maskinen i de isolerede grebflader, når der udføres et arbejde, hvor det skærende tilbehør kan komme i kontakt med skjulte ledninger.** Skæretilbehør, som kommer i kontakt med en strømførende ledning, kan gøre blottede metaldele på maskinen strømførende og udgøre en risiko for, at operatøren får elektrisk stød.
12. **Anbring ledningen på god afstand af roterende tilbehør.** Hvis De mister herredømmet over værktøjet, kan ledningen blive skåret over eller sætte sig fast, og Deres hånd eller arm kan blive trukket ind mod den roterende skive.
13. **Læg ikke værktøjet fra Dem, før tilbehøret er helt stoppet.** Den roterende skive kan gribe fat i overfladen og trække værktøjet ud af Deres herredømme.
14. **Lad ikke værktøjet køre, mens De bærer det ved siden.** Utilsigtet kontakt med det roterende tilbehør kan bevirke, at det griber fat i Deres tøj og trækker tilbehøret ind mod Deres krop.
15. **Rengør værktøjets ventilationsåbninger med jævne mellemrum.** Motorens ventilator vil suge støv ind i huset, og en stor mængde akkumuleret metalstøv kan forårsage elektrisk fare.
16. **Anvend ikke værktøjet i nærheden af brændbare materialer.** Gnister kan antænde disse materialer.

## Tilbageslag og relaterede advarsler

Tilbageslag er en pludselig reaktion på en fastklemt eller blokeret roterende skive. Fastklemning eller blokering medfører, at den roterende skive pludseligt stopper, hvilket igen bevirker, at det ukontrollerede værktøj tvinges i den modsatte retning af skivens rotation på det punkt, hvor den sidder fast.

Hvis for eksempel en slibeskive er blokeret eller fastklemt af arbejdsemnet, kan kanten på skiven, som går ind i fastklemningspunktet, grave sig ind i materialets overflade og derved bevirke, at skiven kommer ud eller presses ud. Skiven kan enten slynges mod eller bort fra operatøren, afhængigt af retningen af skivens bevægelse på fastklemningspunktet. Slibeskiver kan også brække under disse forhold.

Tilbageslag er et resultat af misbrug og/eller fejlagtig brug af værktøjet eller ukorrekte brugsforhold og kan undgås ved, at man tager de rigtige forholdsregler som anvist herunder.

1. **Hold godt fast i værktøjet, og indtag en stilling med kroppen og armen, således at De kan modstå tilbageslagskraften.** Anvend altid hjælpéhåndtaget, hvis et sådant forefindes, til at opnå den maksimale kontrol med tilbageslag eller torsionsreaktion under starten. Operatøren kan kontrollere torsionsreaktionen og tilbageslagskraften, hvis de rette forholdsregler tages.
2. **Anbring ikke hånden i nærheden af det roterende tilbehør.** Tilbehøret kan slå tilbage hen over hånden.

3. **Stil Dem ikke på linje med den roterende skive.** Et tilbageslag vil slynge værktøjet i den modsatte retning af skivens bevægelse ved blokeringepunktet.
4. **Vær særligt forsigtig ved arbejde på hjørner, skarpe kanter osv. Sørg for, at tilbehøret ikke hopper eller sætter sig fast.** Hjørner, skarpe kanter eller hoppen har en tendens til at fastklemme det roterende tilbehør med tab af kontrol eller tilbageslag til følge.
5. **Lad være med at montere en savkæde, en træskæreklinge, en segmenteret diamantskive med et perifert mellemrum på mere end 10 mm eller en savklinge med tænder.** Sådanne klinger er ofte årsag til tilbageslag og tab af herredømmet.
6. **Vær påpasselig med ikke at "klemme" skiven eller udsætte den for et ekstremt tryk. Forsøg ikke at udføre en for dyb skæring.** Overbelastning af skiven øger belastningen og sandsynligheden for, at skiven vrikker eller binder i snittet, samt risiko for tilbageslag, eller at skiven brækker.
7. **Hvis skiven binder, eller hvis en skæring af en eller anden grund afbrydes, skal De slukke for værktøjet og holde det stille, indtil det er stoppet helt. Forsøg aldrig at fjerne skiven fra snittet, mens skiven er i bevægelse, da dette kan medføre tilbageslag.** Tag bestik af situationen, og foretag det nødvendige for at eliminere årsagen til, at skiven binder.
8. **Påbegynd ikke skæreoperationen igen i arbejdsemnet. Lad skiven komme op på fuld hastighed, og gå derefter forsigtigt ind i snittet igen.** Skiven kan binde, bevæge sig opad eller slå tilbage, hvis værktøjet startes igen, mens det befinder sig i arbejdsemnet.
9. **Understøt paneler eller store arbejdsemner for at minimere risikoen for, at skiven binder, og der opstår tilbageslag.** Store arbejdsemner har tendens til at synke under deres egen vægt. Støtteanordninger skal anbringes under arbejdsemnet i nærheden af snittet og nær kanten på arbejdsemnet på begge sider af skiven.
10. **Udvis ekstra forsigtighed, når der laves et "lommesnit" i eksisterende vægge eller i andre blinde områder.** Den udragende skive kan komme til at skære i gas- eller vandrør, elektriske ledninger eller genstande, som kan forårsage tilbageslag.

#### Supplerende sikkerhedsadvarsler:

1. **Inden anvendelse af en segmenteret diamantskive skal De sørge for, at diamantskiven har et perifert mellemrum mellem segmenterne på 10 mm eller derunder, kun med en negativ rivevinkel.**
2. **Forsøg aldrig at skære med værktøjet holdt på hovedet i en skruestik. Dette kan medføre alvorlige ulykker, da det er yderst farligt.**
3. **Nogle materialer indeholder kemikalier, som kan være giftige. Vær påpasselig med at forhindre indånding af støv samt hudkontakt. Følg materialeleverandørens sikkerhedsdata.**
4. **Opbevar skiverne i henhold til fabrikantens anbefalinger. Fejlagtig opbevaring kan beskadige skiverne.**

**⚠ ADVARSEL:** LAD IKKE bekvemmelighed eller kendskab til produktet (opnået gennem gentagen brug) forhindre, at sikkerhedsforskrifterne for produktet nøje overholdes. MISBRUG eller forsmælselse af at følge de i denne brugsvejledning givne sikkerhedsforskrifter kan medføre alvorlig personskade.

### Vigtige sikkerhedsinstruktioner for akkuen

1. **Læs alle instruktioner og advarselmærkater på (1) akku-opladeren, (2) akkuen og (3) produktet, som anvender akku.**
2. **Lad være med at skille akkuen ad.**
3. **Hold straks op med anvendelsen, hvis brugstiden er blevet stærkt afkortet. Fortsat anvendelse kan resultere i risiko for overophedning, forbrændinger og endog eksplosion.**
4. **Hvis De har fået elektrolytvæske i øjnene, skal De straks skylle den ud med rent vand og derefter øjeblikkeligt søge lægehjælp. I modsat fald kan De miste synet.**
5. **Vær påpasselig med ikke at komme til at kortslutte akkuen:**
  - (1) Rør ikke ved terminalerne med noget ledende materiale.
  - (2) Undgå at opbevare akkuen i en beholder sammen med andre genstande af metal, for eksempel søm, mønter og lignende.
  - (3) Udsæt ikke akkuen for vand eller regn. Kortslutning af akkuen kan forårsage en kraftig øgning af strømmen, overophedning, mulige forbrændinger og endog værktøjstøp.
6. **Opbevar ikke værktøjet og akkuen på et sted, hvor temperaturen kan nå eller overstige 50 °C.**
7. **Lad være med at brænde akkuen, selv ikke i tilfælde, hvor den har lidt alvorlig skade eller er fuldstændig udtjent. Akkuen kan eksplodere, hvis man forsøger at brænde den.**
8. **Lad være med at brænde akkuen eller udsætte den for stød.**
9. **Anvend ikke en beskudiget akku.**
10. **De indbyggede litium-ion-batterier er underlagt lovkrav vedrørende farligt gods.** Ved kommerciel transport, f.eks. af tredjeparts transportselskaber, skal særlige krav til forpakning og mærkning overholdes. Ved forberedelse af udstyret til forsendelse skal du kontakte en ekspert i farligt gods. Overhold også eventuel mere detaljeret national lovgivning. Tape eller tildæk åbne kontakter, og pak batteriet på en måde, så det ikke kan flytte sig rundt i pakningen.
11. **Følg de lokale love vedrørende bortskaffelsen af batterier.**

## GEM DENNE BRUGSANVISNING.

**⚠️FORSIGTIG:** Brug kun originale batterier fra Makita. Brug af uoriginale Makita-batterier, eller batterier som er blevet ændret, kan muligvis medføre brud på batteriet, hvilket kan forårsage brand, personskade eller beskadigelse. Det ugyldiggør også Makita-garantien for Makita-maskinen og opladeren.

### Tips til opnåelse af maksimal akku-levetid

1. Oplad akkuen, inden den er helt afladet. Stop altid værktøjet, og oplad akkuen, hvis De bemærker, at værktøjeffekten er aftagende.
2. Genoplad aldrig en fuldt opladet akku. Overopladning vil afkorte akkuens levetid.
3. Oplad akkuen ved stuetemperatur ved 10 °C - 40 °C. Lad altid en varm akku få tid til at køle af, inden den oplades.

## FUNKTIONSBESKRIVELSE

**⚠️FORSIGTIG:** Sørg altid for at maskinen er slukket, og at akkuen er taget ud, før der udføres justering eller kontrol af funktioner på maskinen.

### Isætning eller fjernelse af akkuen

**⚠️FORSIGTIG:** Sluk altid for værktøjet, før De monterer eller fjerner akkuen.

**⚠️FORSIGTIG:** Hold værktøjet og akkuen fast ved montering eller fjernelse af akkuen. Hvis De ikke holder værktøjet og akkuen fast, kan de glide ud af hænderne på Dem og forårsage beskadigelse af værktøjet og akkuen eller personskade.

► Fig.1: 1. Rød indikator 2. Knap 3. Akku

Akkuen fjernes ved, at De trækker den ud af værktøjet, idet De skyder knappen på forsiden af akkuen i stilling.

Akkuen monteres ved, at De sætter tungen på akkuen ud for noten i kabinettet og lader den glide på plads. Sæt den hele vejen ind, så den låses på plads med et lille klik. Hvis den røde indikator på oversiden af knappen er synlig, betyder det, at den ikke er tilstrækkeligt låst.

**⚠️FORSIGTIG:** Monter altid akkuen helt, indtil den røde indikator ikke længere er synlig. Hvis dette ikke gøres, kan den falde ud af værktøjet ved et uheld, hvorved De selv eller personer i nærheden kan komme til skade.

**⚠️FORSIGTIG:** Brug ikke magt ved montering af akkuen. Hvis akkuen ikke glider på plads uden problemer, betyder det, at den ikke sættes i på korrekt vis.

## Batteribeskyttelsessystem

Maskinen er udstyret med et batteribeskyttelsessystem. Dette system afbryder automatisk strømmen til motoren for at forlænge akkulevetiden.

Maskinen stopper automatisk under anvendelsen, hvis maskinen og/eller akkuen udsættes for en af de følgende situationer:

#### Overbelastet:

Maskinen anvendes på en sådan måde, at den bruger unormalt meget strøm.

Sluk i så fald for maskinen, og stop den anvendelse, der medførte, at maskinen blev overbelastet. Tænd derefter for maskinen for at starte igen.

Hvis maskinen ikke starter, er akkuen overophedet. Lad i så fald akkuen køle af, før du tænder for maskinen igen.

#### Lav spænding på akkuen:

Den resterende batteriladning er for lav, og maskinen vil ikke fungere. Hvis De tænder for maskinen, kører motoren igen, men stopper hurtigt. I denne situation skal De fjerne og oplade akkuen.

### Indikation af den resterende batteriladning

*Kun akkuer, hvor modelnummeret slutter med "B"*

► Fig.2: 1. Indikatorlamper 2. Kontrolknap

Tryk på kontrolknappen på akkuen for at få vist den resterende batteriladning. Indikatorlampen lyser i nogle sekunder.

Indikatorlamper		Resterende kapacitet
Tændt	Slukket	
		75% til 100%
		50% til 75%
		25% til 50%
		0% til 25%

**BEMÆRK:** Afhængigt af brugsforholdene og den omgivende temperatur kan indikationen afvige en smule fra den faktiske ladning.

### Justering af skæredybde

**⚠️FORSIGTIG:** Spænd altid spændeskruen forsvarligt til efter justering af skæredybden.

► Fig.3: 1. Spændeskruen 2. Dybdeguide

Løsn spændeskruen på dybdestyret, og flyt grundpladen op eller ned. Fastgør grundpladen ved den ønskede skæredybde ved at stramme spændeskruen.

## Skråsnit

- **Fig.4:** 1. Spændeskruer 2. Skalaplade til skråsnit

Løsn spændeskruen på skalapladen til skråsnit foran på grundpladen. Indstil til den ønskede vinkel (0° - 45°) ved at udføre den rigtige hældning, og derefter stramme spændeskruen godt til.

## Indstilling

- **Fig.5:** 1. Skærelinje

Ved lige snit rettes A-positionen på forkanten af grundpladen ind efter skærelinjen. Ved 45° skråsnit rettes B-positionen ind efter den.

## Afbryderbetjening

**⚠FORSIGTIG:** Inden akkuen sættes i maskinen, bør De altid kontrollere, at afbryderknappen fungerer korrekt, og returnerer til "OFF"-positionen, når den slippes.

**⚠FORSIGTIG:** Tryk ikke hårdt på afbryderknappen uden at trykke på aflåsehåndtaget. Dette kan forårsage afbryderbeskadigelse.

- **Fig.6:** 1. Aflåsehåndtag 2. Afbryderknapp

Til forhindring af utilsigtet indtrykning af afbryderknappen, er maskinen udstyret med et aflåsehåndtag. For at starte maskinen, skal man skyde aflåsehåndtaget ind og trykke på afbryderknappen. Slip afbryderknappen for at stoppe.

## SAMLING

**⚠FORSIGTIG:** Sørg altid for at maskinen er slukket, og at akkuen er taget ud, før der udføres noget arbejde på maskinen.

## Montering eller fjernelse af diamantskiven

**⚠FORSIGTIG:** Anvend kun Makita-skruenøglen til at montere eller afmontere diamantskiven.

**⚠FORSIGTIG:** Sørg for at skrue boltene godt fast ved montering af diamantskiven.

**⚠FORSIGTIG:** Monter altid diamantskiven, så pilen på diamantskiven peger i samme retning som pilen på diamantskiveholderen. Ellers kan skiven rotere baglæns og forårsage personskade.

- **Fig.7:** 1. Aksellås 2. Sekskantnøgle 3. Tilspænd  
4. Løsn

- **Fig.8:** 1. Sekskantbolt 2. Udvendig flange  
3. Diamantskive 4. Indvendig flange 5. Pil

For at afmontere diamantskiven skal du trykke aksellåsen helt ind, så diamantskiven ikke kan dreje, og bruge sekskantnøglen til at løse sekskantboltene i retningen mod uret. Fjern derefter sekskantboltene, den udvendige flange og diamantskiven.

Følg proceduren til afmontering i omvendt rækkefølge for at montere diamantskiven. Sørg altid for, at diamantskiven er monteret, så pilen på skiven peger i samme retning som pilen på diamantskiveholderen.  
**SØRG FOR AT STRAMME SEKSKANTBOLTEN GODT TIL.**

- **Fig.9:** 1. Sekskantbolt 2. Udvendig flange  
3. Diamantskive 4. Indvendig flange  
5. Fremspring (større side)

**BEMÆRK:** Hvis en indre flange utilsigtet fjernes, skal den indre flange monteres, så dens fremspring (større side) vender indad som vist på figuren.

## Opbevaring af unbrakonøgle

- **Fig.10:** 1. Unbrakonøgle

Når unbrakonøglen ikke anvendes, skal den opbevares som vist på illustrationen, så den ikke bortkommer.

## Montering af vandforsyning

Løsn skrue A.

Skub tankholderen hele vejen op over motorhuset, så indsnittet i båndet (en del af tankholderen) er placeret lige under maskinens skruehoved som vist.

Tilspænd derefter skrue A.

- **Fig.11:** 1. Skrue A 2. Tankholder 3. Motorhus  
4. Indsnit på båndet (del af tankholderen)  
5. Skruehoved på maskinen

Monter tanken på tankholderen, så tankholderen passer ind mellem trinnet og prikkerne. Forbind hættens på rørenden til mundstykket på tanken. Drej tanken i retningen med uret. Tilspænd derefter skrue B.

- **Fig.12:** 1. Tank 2. Rør 3. Skrue B

## Vandforsyning

**⚠FORSIGTIG:** Sørg for, at maskinen ikke bliver våd, når du fylder tanken med vand.

Sørg for, at vandforsyningsshanen er lukket, før tanken fyldes med vand. Åbn hættens på tanken, og påfyld vand. Sæt hættens på tanken igen.

- **Fig.13:** 1. Vandforsyningshane 2. Luk 3. Åbn

- **Fig.14:** 1. Hætte 2. Åbn

## ANVENDELSE

**⚠FORSIGTIG:** Denne maskine bør kun anvendes på vandrette overflader.

**⚠FORSIGTIG:** Sørg for at holde arbejdsemnet fast nede på en stabil arbejdsbænk eller et stabilt bord under arbejdet.

**⚠FORSIGTIG:** Undlad at vrikke maskinen eller at bruge magt på den i snittet, da motoren ellers kan blive overbelastet, eller arbejdsemnet kan brække.

**⚠FORSIGTIG:** Brug ikke maskinen med diamantskiven i opadvendt eller sidelæns stilling.

**⚠FORSIGTIG:** Skiven til denne maskine er en diamantskive af våd type til arbejde med glas og tegl. Sørg for at tilføre vand til diamantskiven under brugen.

**⚠FORSIGTIG:** Hvis diamantskivens skæring aftager, skal du slibe skivens skærekant med en gammel og udtjent, grovkornet bænkslibeskive eller en betonklods. Slib ved at trykke let mod diamantskivens ydre kant.

### ► Fig.15

Hold godt fast i maskinen. Sæt grundpladen mod det arbejdsemne, der skal skæres i, uden at skiven kommer i kontakt.

Tænd derefter for maskinen, og vent, indtil skiven når fuld hastighed.

Tilfør vand til skiven ved at justere vandforsyningsshannen, så der opnås en stille vandstrøm.

Flyt maskinen fremad hen over arbejdsemnets overflade, idet den holdes fladt og flyttes jævnt frem, indtil skæringen er færdig. Hold skærelinjen lige, og flyt med jævn hastighed.

Skær langsomt for at opnå fine, rene snit. (Ved skæring i en glasplade med en tykkelse på 5 mm skal du skære cirka 250 mm/min. Ved skæring i tegl med en tykkelse på 10 mm skal du skære cirka 300 mm/min.) Sænk også hastigheden, når du fuldfører et snit, for at undgå, at det arbejdsemne, der skæres i, brækker eller revner.

**BEMÆRK:** Hvis temperaturen af akkuen er lav, fungerer maskinen muligvis ikke ved fuld kapacitet. På dette tidspunkt kan du f.eks. bruge maskinen til et let snit i et stykke tid, indtil akkuen er varmet op til stuetemperatur. Maskinen kan derefter fungere ved fuld kapacitet.

**BEMÆRK:** Sørg for, at vandforsyningsshannen er lukket før brugen.

## VEDLIGEHOLDELSE

**⚠FORSIGTIG:** Vær altid sikker på, at værktøjet er slukket, og at akkuen er taget ud, inden De begynder at udføre inspektion eller vedligeholdelse.

**BEMÆRKNING:** Anvend aldrig benzin, rensbenzin, fortynder, alkohol og lignende. Det kan medføre misfarvning, deformation eller revner.

For at opretholde produktets SIKKERHED og PÅLIDELIGHED må reparation, vedligeholdelse eller justering kun udføres af et autoriseret Makita servicecenter eller fabrikksservicecenter med anvendelse af Makita reservedele.

## EKSTRAUDSTYR

**⚠FORSIGTIG:** Det følgende tilbehør og ekstraudstyr er anbefalet til brug med Deres Makita maskine, der er beskrevet i denne brugsanvisning. Anvendelse af andet tilbehør eller ekstraudstyr kan udgøre en risiko for personskade. Anvend kun tilbehør og ekstraudstyr til det beskrevne formål.

Hvis De behøver hjælp ved valg af tilbehør eller ønsker yderligere informationer, bedes De kontakte Deres lokale Makita servicecenter.

- Diamantskiver
- Unbrakonøgle
- Original Makita-akku og oplader

**BEMÆRK:** Nogle ting på denne liste kan være inkluderet i værktøjsspakken som standardtilbehør. Det kan være forskellige fra land til land.

## ΠΡΟΔΙΑΓΡΑΦΕΣ

Μοντέλο:	CC301D	
Διάμετρος διαμαντοτροχού	85 mm	
Μέγιστο πάχος τροχού	0,8 mm	
Μέγιστο βάθος κοπής	σε λοξοτομή 0°	25,5 mm
	σε λοξοτομή 45°	16,5 mm
Ονομαστική ταχύτητα	1.500 min <sup>-1</sup>	
Ονομαστική τάση	D.C. 10,8 V	
Κασέτα μπαταρίας	BL1015, BL1020B	BL1040B
Ολικό μήκος	313 mm	331 mm
Καθαρό βάρος	1,8 kg	1,9 kg

- Λόγω του συνεχιζόμενου προγράμματος έρευνας και ανάπτυξης, οι προδιαγραφές αυτές υπόκεινται σε αλλαγές χωρίς προειδοποίηση.
- Οι προδιαγραφές και η κασέτα μπαταριών μπορεί να διαφέρουν ανάλογα με τη χώρα.
- Βάρος, με κασέτα μπαταριών, σύμφωνα με τη διαδικασία ΕΡΤΑ 01/2003

### Προοριζόμενη χρήση

Το εργαλείο προορίζεται για κοπή υλικών γυαλιού και τοιχοποιίας με διαμαντοτροχό και νερό.

### Θόρυβος

Το τυπικό Α επίπεδο καταμετρημένου θορύβου καθορίζεται σύμφωνα με το EN60745:

Στάθμη ηχητικής πίεσης ( $L_{pA}$ ): 84 dB (A)

Στάθμη ηχητικής ισχύος ( $L_{WA}$ ): 95 dB (A)

Αβεβαιότητα (K): 3 dB (A)

**ΠΡΟΕΙΔΟΠΟΙΗΣΗ:** Να φοράτε ωτοασπίδες.

### Κραδασμός

Η ολική τιμή δόνησης (άθροισμα τρι-αξονικού διανύσματος) καθορίζεται σύμφωνα με το EN60745:

Είδος εργασίας: κοπή σε τσιμέντο

Εκπομπή δόνησης ( $a_{h1}$ ): 2,5 m/s<sup>2</sup> ή λιγότερο

Αβεβαιότητα (K): 1,5 m/s<sup>2</sup>

**ΠΑΡΑΤΗΡΗΣΗ:** Η δηλωμένη τιμή εκπομπής κραδασμών έχει μετρηθεί σύμφωνα με την πρότυπη μέθοδο δοκιμής και μπορεί να χρησιμοποιηθεί για τη σύγκριση ενός εργαλείου με άλλο.

**ΠΑΡΑΤΗΡΗΣΗ:** Η δηλωμένη τιμή εκπομπής κραδασμών μπορεί να χρησιμοποιηθεί και στην προκαταρκτική αξιολόγηση έκθεσης.

**ΠΡΟΕΙΔΟΠΟΙΗΣΗ:** Η εκπομπή κραδασμών κατά τη χρήση του ηλεκτρικού εργαλείου σε πραγματικές συνθήκες μπορεί να διαφέρει από τη δηλωμένη τιμή εκπομπής ανάλογα με τον τρόπο χρήσης του εργαλείου.

**ΠΡΟΕΙΔΟΠΟΙΗΣΗ:** Φροντίστε να λάβετε τα κατάλληλα μέτρα προστασίας του χειριστή βάσει ενός υπολογισμού της έκθεσης σε πραγματικές συνθήκες χρήσης (λαμβάνοντας υπόψη όλες τις συνιστώσες του κύκλου λειτουργίας όπως τους χρόνους που το εργαλείο είναι εκτός λειτουργίας και όταν βρίσκεται σε αδρανή λειτουργία πέραν του χρόνου ενεργοποίησης).

### Δήλωση συμμόρφωσης ΕΚ

**Μόνο για χώρες της Ευρώπης**

Η δήλωση συμμόρφωσης ΕΕ περιλαμβάνεται ως Παράρτημα Α στο παρόν εγχειρίδιο οδηγιών.

## ΠΡΟΕΙΔΟΠΟΙΗΣΕΙΣ ΑΣΦΑΛΕΙΑΣ

### Γενικές προειδοποιήσεις ασφαλείας για το ηλεκτρικό εργαλείο

**ΠΡΟΕΙΔΟΠΟΙΗΣΗ:** Διαβάστε όλες τις προειδοποιήσεις για την ασφάλεια και όλες τις οδηγίες. Η μη τήρηση των προειδοποιήσεων και οδηγιών μπορεί να καταλήξει σε ηλεκτροπληξία, πυρκαγιά ή/και σοβαρό τραυματισμό.



## Φυλάξτε όλες τις προειδοποιή- σεις και τις οδηγίες για μελλο- ντική παραπομπή.

Στις προειδοποιήσεις, ο όρος «ηλεκτρικό εργαλείο» αναφέρεται σε ηλεκτρικό εργαλείο που τροφοδοτείται από την κύρια παροχή ηλεκτρικού ρεύματος (με ηλεκτρικό καλώδιο) ή σε ηλεκτρικό εργαλείο που τροφοδοτείται από μπαταρία (χωρίς ηλεκτρικό καλώδιο).

### Προειδοποιήσεις ασφαλείας για τον φορητό κόπτη

- 1. Το προστατευτικό που παρέχεται με το εργα-  
λείο πρέπει να είναι συνδεδεμένο με ασφάλεια  
στο ηλεκτρικό εργαλείο και τοποθετημένο  
για μέγιστη ασφάλεια, με τρόπο ώστε το  
μικρότερο δυνατό μέρος του τροχού να είναι  
εκτεθειμένο προς το χειριστή. Εσείς και οι  
παρευρισκόμενοι να στέκεστε μακριά από το  
επίπεδο περιστροφής του τροχού. Το προστα-  
τευτικό βοηθάει στην προστασία του χειριστή από  
στασμένα κομμάτια τροχού και τυχαία επαφή με  
τον τροχό.**
- 2. Να χρησιμοποιείτε μόνο διαμαντένιους τρο-  
χούς αποκοπής για το ηλεκτρικό εργαλείο σας.**  
Η χρήση ενός εξαρτήματος απλά και μόνον επειδή  
μπορεί να προσαρμοστεί στο ηλεκτρικό εργαλείο,  
δεν διασφαλίζει την ασφαλή λειτουργία του.
- 3. Η ονομαστική ταχύτητα του εξαρτήματος  
πρέπει να είναι τουλάχιστον ίση με τη μέγιστη  
ταχύτητα που αναγράφεται στο ηλεκτρικό  
εργαλείο.** Εξαρτήματα τα οποία περιστρέφονται  
ταχύτερα από την ονομαστική ταχύτητά τους  
μπορεί να υποστούν θραύση και τα θραύσματα να  
εκτιναχθούν στον περιβάλλοντα χώρο.
- 4. Οι τροχοί πρέπει να χρησιμοποιούνται μόνο  
στις προβλεπόμενες εφαρμογές. Για παρά-  
δειγμα: μη λειαίνετε με την πλευρική επιφάνεια  
του τροχού αποκοπής.** Οι λειαντικοί τροχοί  
κόπτης προορίζονται για περιφερειακό τρόχιμα. Η  
εφαρμογή πλευρικών δυνάμεων σε αυτούς τους  
τροχούς μπορεί να προκαλέσει τη θραύση τους.
- 5. Να χρησιμοποιείτε πάντα φλάντζες τροχών  
που δεν έχουν υποστεί ζημία και είναι κατάλ-  
ληλης διαμέτρου για τον επιλεγμένο τροχό. Οι  
κατάλληλες φλάντζες τροχών υποστηρίζουν τους  
τροχούς και μειώνουν επομένως την πιθανότητα  
θραύσης τους.**
- 6. Η εξωτερική διάμετρος και το πάχος του εξαρ-  
τήματος πρέπει να είναι εντός της ονομαστι-  
κής ικανότητας του ηλεκτρικού εργαλείου. Σε  
εξαρτήματα εσφαλμένου μεγέθους δεν είναι εφικτή  
η παροχή επαρκούς προστασίας ή ελέγχου.**
- 7. Το μέγεθος της οπής προσαρμογής σε άξονα  
των τροχών και των φλαντζών πρέπει να  
ταιριάζει απολύτως στον άξονα μετάδοσης  
κίνησης του ηλεκτρικού εργαλείου. Τροχοί και  
φλάντζες με οπές προσαρμογής οι οποίες δεν  
ταιριάζουν απολύτως στο εξάρτημα στερέωσης  
του ηλεκτρικού εργαλείου θα παρουσιάσουν  
υποβαθμισμένη ζυγοστάθμιση και υπερβολικούς  
κραδασμούς, και μπορεί και απώλεια ελέγχου.**
- 8. Μην χρησιμοποιείτε τροχούς που έχουν  
υποστεί ζημία. Πριν από κάθε χρήση, επιθεωρήστε  
τους τροχούς για τεμαχίδια που λείπουν και  
ρωγμές. Σε περίπτωση πτώσης του ηλεκτρι-  
κού εργαλείου ή του τροχού, επιθεωρήστε για  
τυχόν ζημία ή τοποθετήστε έναν τροχό που δεν  
έχει υποστεί ζημία. Μετά από τον έλεγχο και  
την τοποθέτηση του τροχού, σταθείτε εσείς και  
οι παρευρισκόμενοι σε κατάλληλη θέση μακριά  
από το επίπεδο περιστροφής του τροχού και  
αφήστε το ηλεκτρικό εργαλείο σε λειτουργία  
στη μέγιστη ταχύτητα περιστροφής χωρίς  
φορτίο, για ένα λεπτό. Συνήθως, οι τροχοί που  
έχουν υποστεί ζημία διαλύονται, εντός του συγκε-  
κριμένου χρόνου δοκιμής.**
- 9. Να φοράτε εξοπλισμό ατομικής προστασίας.  
Ανάλογα με την εφαρμογή, να χρησιμοποιείτε  
προσωπικά προστασίας, προστατευτικά γυα-  
λιά-προσωπίδες ή γυαλιά προστασίας. Όταν  
απαιτείται, να φοράτε μάσκα σκόνης, προστα-  
τευτικά ακοής, γάντια και ποδιά συνεργείου  
ικανά να παρέχουν προστασία από τα εκτινασ-  
σόμενα μικρά θραύσματα του λειαντικού μέσου  
ή του τεμαχίου εργασίας. Τα προστατευτικά  
ματιών πρέπει να είναι ικανά να σταματήσουν  
τυχόν εκτινασσόμενα θραύσματα που δημιουρ-  
γούνται κατά την εκτέλεση διαφόρων εργασιών. Η  
μάσκα σκόνης ή η αναπνευστική συσκευή πρέπει  
να είναι ικανές να φιλτράρουν τα σωματίδια που  
δημιουργούνται κατά την εκτέλεση των εργασιών  
σας. Η παρατεταμένη έκθεση σε θόρυβο υψηλής  
έντασης μπορεί να προκαλέσει απώλεια ακοής.**
- 10. Φροντίστε ώστε οι παρευρισκόμενοι να βρί-  
σκονται σε ασφαλή απόσταση από τη θέση  
εργασίας. Οποιοσδήποτε εισέρχεται στο χώρο  
εργασίας πρέπει να φορά εξοπλισμό ατομικής  
προστασίας. Θραύσματα του τεμαχίου εργασίας  
ή ενός τροχού που έχει υποστεί θραύση μπορεί να  
εκτιναχθούν και να προκαλέσουν τραυματισμό πέραν  
των ορίων του άμεσου χώρου εκτέλεσης εργασιών.**
- 11. Να κρατάτε το ηλεκτρικό εργαλείο μόνο από  
τις μονωμένες επιφάνειες χειρολαβής όταν  
εκτελείτε μια εργασία κατά την οποία το  
κοπτικό εξάρτημα μπορεί να έρθει σε επαφή  
με κρυμμένα καλώδια. Σε περίπτωση επαφής  
του εξαρτήματος κοπής με ηλεκτροφόρο καλώδιο,  
μπορεί να εκτεθειμένα μεταλλικά εξαρτήματα του  
ηλεκτρικού εργαλείου να καταστούν τα ίδια ηλε-  
κτροφόρα και να προκαλέσουν ηλεκτροπληξία στο  
χειριστή.**
- 12. Κρατήστε το καλώδιο τροφοδοσίας μακριά  
από το περιστρεφόμενο εξάρτημα. Εάν χάσετε  
τον έλεγχο, το καλώδιο τροφοδοσίας μπορεί να  
κοπεί ή να εμπλακεί και το χέρι ή ο βραχίονάς σας  
μπορεί να τραβηχτεί προς τον περιστρεφόμενο  
τροχό.**
- 13. Μην αφήνετε ποτέ το ηλεκτρικό εργαλείο κάτω,  
πριν σταματήσετε πλήρως η περιστροφή του  
εξαρτήματος. Ο περιστρεφόμενος τροχός μπορεί  
να εμπλακεί στην επιφάνεια και να τραβήξει το  
ηλεκτρικό εργαλείο εκτός του ελέγχου σας.**
- 14. Μη θέσετε το ηλεκτρικό εργαλείο σε λειπουρ-  
γία, ενώ το μεταφέρετε στο πλάι σας. Η τυχαία  
επαφή με το περιστρεφόμενο εξάρτημα μπορεί να  
προκαλέσει πιάσιμο στα ρούχα σας και να τραβή-  
ξει το εξάρτημα μέσα στο σώμα σας.**

15. **Να καθαρίζετε τακτικά τις σπές αερισμού του ηλεκτρικού εργαλείου.** Ο ανεμιστήρας του μοτέρ προκαλεί αναρόφηση της σκόνης στο εσωτερικό του περιβλήματος και η υπερβολική συσσώρευση κοινοτροποιημένου μετάλλου μπορεί να εγκυμονεί ηλεκτρικούς κινδύνους.
16. **Μην χειρίζεστε το ηλεκτρικό εργαλείο κοντά σε εύφλεκτα υλικά.** Οι σπινθήρες μπορεί να προκαλέσουν ανάφλεξη των συγκεκριμένων υλικών.

### Κλότσημα και σχετικές προειδοποιήσεις

Το κλότσημα είναι μια ξαφνική αντίδραση λόγω σύσφιξης ή σκαλώματος του περιστρεφόμενου τροχού. Η σύσφιξη ή το σκάλωμα προκαλεί ταχεία απώλεια ελέγχου του περιστρεφόμενου τροχού ο οποίος στην συνέχεια υποχρεώνει το ανεξέλεγκτο ηλεκτρικό εργαλείο σε περιστροφή προς την αντίθετη κατεύθυνση από εκείνη του τροχού στο σημείο εμπλοκής.

Για παράδειγμα, εάν ένας λειαντικός τροχός περιέλθει σε σύσφιξη ή σκάλωμα στο τεμάχιο εργασίας, η ακμή του τροχού που εισέρχεται στο σημείο σύσφιξης μπορεί να σκάψει την επιφάνεια του υλικού προκαλώντας την αναπήδηση ή το κλότσημα του τροχού. Ο τροχός μπορεί να αναπηδήσει προς το μέρος του χειριστή ή αντίθετα να απομακρυνθεί από αυτόν, ανάλογα με τη φορά περιστροφής του τροχού στο σημείο σύσφιξης. Υπό αυτές τις συνθήκες, οι λειαντικοί τροχοί μπορεί επίσης να υποστούν θραύση.

Το κλότσημα είναι αποτέλεσμα κακής χρήσης ή/και ασφαλισμένων διαδικασιών ή συνθηκών χειρισμού και είναι δυνατόν να αποφευχθεί λαμβάνοντας κατάλληλες προφυλάξεις, όπως περιγράφονται κατωτέρω.

1. **Κρατήστε σταθερά το ηλεκτρικό εργαλείο και τοποθετήστε το σώμα και το βραχίονά σας σε κατάλληλη θέση, ώστε να είναι δυνατόν να προβάλλετε αντίσταση στις δυνάμεις κλοστήματος.** Να χρησιμοποιείτε πάντα βοηθητική λαβή, εάν παρέχεται, για μέγιστο βαθμό ελέγχου του κλοστήματος ή της ροπής αντίδρασης κατά την εκκίνηση. Ο χειριστής μπορεί να ελέγξει τις ροπές αντίδρασης ή τις δυνάμεις κλοστήματος, εάν λαμβάνονται οι κατάλληλες προφυλάξεις.
2. **Μην πλησιάζετε ποτέ το χέρι σας κοντά στο περιστρεφόμενο εξάρτημα.** Το εξάρτημα μπορεί να αναπηδήσει πάνω στο χέρι σας.
3. **Μην ευθυγραμμίζετε το σώμα σας με τον περιστρεφόμενο τροχό.** Το κλότσημα ωθεί το εργαλείο σε κατεύθυνση αντίθετη από εκείνη της κίνησης του τροχού στο σημείο σκαλώματος.
4. **Δώστε ιδιαίτερη προσοχή όταν εργάζεστε σε γωνίες, κοφτερές ακμές, κλπ. Να αποφεύγετε την αναπήδηση και το σκάλωμα του εξαρτήματος.** Οι γωνίες, οι κοφτερές ακμές ή η αναπήδηση έχουν την τάση να προκαλούν σκάλωμα του περιστρεφόμενου εξαρτήματος και απώλεια ελέγχου ή κλότσημα.
5. **Μην προσαρμόζετε αλυσοπρίνο, λεπίδα ξυλογλυπτικής, τμηματικό διαμαντοτροχό με περιφερειακό κενό μεγαλύτερο από 10 mm ή οδοντωτή λεπίδα πριονιού.** Οι λεπίδες αυτού του τύπου προκαλούν συχνά κλότσημα και απώλεια ελέγχου.
6. **Μην προκαλείτε «μάγκωμα» του τροχού και μην ασκείτε υπερβολική πίεση.** Μην επιχειρείτε να δημιουργήσετε τομή υπερβολικού βάθους. Η άσκηση υπερβολικής δύναμης στον τροχό αυξάνει το φορτίο και τη δεκτικότητα σε συστροφή ή εμπλοκή του τροχού εντός της τομής και την πιθανότητα κλοστήματος ή θραύσης του τροχού.

7. **Σε περίπτωση εμπλοκής τροχού ή διακοπής της εργασίας για τη δημιουργία τομής για οποιοδήποτε λόγο, απενεργοποιήστε το ηλεκτρικό εργαλείο και κρατήστε το ακίνητο, έως ότου ο τροχός ακινητοποιηθεί πλήρως.** Μην επιχειρήσετε ποτέ να αφαιρέσετε τον τροχό από την τομή, ενώ ο τροχός κινείται, επειδή μπορεί να παρουσιαστεί κλότσημα. Ερευνήστε και λάβετε διορθωτικά μέτρα για να εξαλειφθεί η αιτία εμπλοκής του τροχού.
8. **Μην επαναλάβετε την εργασία δημιουργίας τομής στο τεμάχιο εργασίας. Αφήστε τον τροχό να αποκτήσει μέγιστη ταχύτητα και εισαγάγετε ξανά τον τροχό στην τομή με προσοχή.** Ο τροχός μπορεί να παρουσιάσει εμπλοκή, αναπήδηση ή κλότσημα, εάν ενεργοποιήσετε το ηλεκτρικό εργαλείο, ενώ βρίσκεται εντός του τεμαχίου εργασίας.
9. **Να στηρίζετε τα πάνελ ή οποιοδήποτε υπερμέγεθες τεμάχιο εργασίας, ώστε να ελαχιστοποιηθεί ο κίνδυνος σύσφιξης και κλοστήματος του τροχού.** Τα μεγάλα τεμάχια εργασίας τείνουν να παρουσιάζουν κάμψη προς τα κάτω λόγω του βάρους τους. Πρέπει να τοποθετούνται υποστηρίγματα κάτω από το τεμάχιο εργασίας κοντά στη γραμμή κοπής και κοντά στο άκρο του τεμαχίου εργασίας και στις δύο πλευρές του τροχού.
10. **Να είστε ιδιαίτερα προσεκτικοί όταν δημιουργείτε μια «τομή-κοιλότητα» σε υπάρχοντες τοίχους ή άλλες τυφλές περιοχές.** Ο πρόεδρος τροχός μπορεί να κόψει σωλήνες αερίου ή υδροεπισής, ηλεκτρικές καλωδιώσεις ή αντικείμενα που μπορούν να προκαλέσουν κλότσημα.

### Πρόσθετες προειδοποιήσεις ασφάλειας:

1. **Πριν χρησιμοποιήσετε τμηματικό διαμαντοτροχό, βεβαιωθείτε ότι ο διαμαντοτροχός έχει περιφερειακό κενό μεταξύ των τμημάτων ίσο με 10 mm ή μικρότερο, μόνο με αρνητική γωνία κοπής.**
2. **Μην επιχειρήσετε ποτέ να κόψετε με το εργαλείο στερεωμένο ανάποδα σε μια μέγεννη.** Αυτό μπορεί να προκαλέσει σοβαρά ατυχήματα επειδή είναι εξαιρετικά επικίνδυνο.
3. **Μερικά υλικά περιέχουν χημικά που μπορεί να είναι τοξικά.** Προσέχετε ώστε να αποφεύγετε την εισπνοή σκόνης και την επαφή με το δέρμα. Ακολουθείτε τα δεδομένα ασφάλειας υλικού που παρέχονται από τον προμηθευτή.
4. **Αποθηκεύστε τους τροχούς σύμφωνα με τις συστάσεις του κατασκευαστή.** Η λανθασμένη αποθήκευση μπορεί να προκαλέσει ζημιά στους τροχούς.

## ΦΥΛΑΞΤΕ ΑΥΤΕΣ ΤΙΣ ΟΔΗΓΙΕΣ.



**ΠΡΟΕΙΔΟΠΟΙΗΣΗ:** ΜΗΝ επιτρέψετε στην άνεση ή στην εξοικείωσή σας με το προϊόν (που αποκτήθηκε από επανειλημμένη χρήση) να αντικαταστήσει την αυστηρή τήρηση των κανόνων ασφαλείας του παρόντος εργαλείου. Η ΛΑΝΘΑΣΜΕΝΗ ΧΡΗΣΗ ή η αμέλεια να ακολουθήσετε τους κανόνες ασφαλείας που διατυπώνονται στο παρόν χειρίδιο οδηγίων μπορεί να προκαλέσει σοβαρό προσωπικό τραυματισμό.

## Σημαντικές οδηγίες ασφάλειας για κασέτα μπαταριών

1. Πριν χρησιμοποιήσετε την κασέτα μπαταριών, διαβάστε όλες τις οδηγίες και σημειώσεις προφύλαξης (1) στον φορτιστή μπαταριών, (2) στην μπαταρία και (3) στο προϊόν που χρησιμοποιεί την μπαταρία.
2. Μην αποσυναρμολογήσετε την κασέτα μπαταριών.
3. Εάν ο χρόνος λειτουργίας έχει γίνει υπερβολικά βραχύς, σταματήστε τη λειτουργία αμέσως. Αλλιώς, μπορεί να έχει ως αποτέλεσμα κίνδυνο υπερθέρμανσης, πιθανά εγκαύματα ή ακόμη και έκρηξη.
4. Εάν ηλεκτρολύτης μπει στα μάτια σας, ξεπλύνετε τα με καθαρό νερό και ζητήστε ιατρική φροντίδα αμέσως. Αλλιώς, μπορεί να έχει ως αποτέλεσμα απώλεια της όρασης σας.
5. Μην βραχυκυκλώνετε την κασέτα μπαταριών:
  - (1) Μην αγγίζετε τους πόλους με οτιδήποτε αγώγιμο υλικό.
  - (2) Αποφεύγετε να αποθηκεύετε την κασέτα μπαταριών μέσα σε ένα δοχείο μαζί με άλλα μεταλλικά αντικείμενα όπως καρφιά, νομίσματα, κλπ.
  - (3) Μην εκθέτετε την κασέτα μπαταριών στο νερό ή στη βροχή.Ένα βραχυκύκλωμα μπαταρίας μπορεί να προκαλέσει μεγάλη ροή ρεύματος, υπερθέρμανση, πιθανά εγκαύματα ακόμη και σοβαρή βλάβη.
6. Μην αποθηκεύετε το εργαλείο και την κασέτα μπαταριών σε τοποθεσίες όπου η θερμοκρασία μπορεί να φτάσει ή να ξεπεράσει τους 50°C.
7. Μην καίτε την κασέτα μπαταριών ακόμη και εάν έχει σοβαρή ζημιά ή είναι εντελώς φθαρμένη. Η κασέτα μπαταριών μπορεί να εκραγεί στη φωτιά.
8. Προσέχετε να μη ρίξετε κάτω ούτε να χτυπήσετε την μπαταρία.
9. Μην χρησιμοποιείτε μπαταρία που έχει υποστεί ζημιά.
10. Οι μπαταρίες ιόντων λιθίου που περιέχονται υπόκεινται στις απαιτήσεις της νομοθεσίας για επικίνδυνα αγαθά.

Για εμπορικές μεταφορές, για παράδειγμα από τρίτα μέρη, πρέπει να τηρούνται οι διαμεταφορές, οι ειδικές απαιτήσεις στη συσκευασία και η επισήμανση.

Για προετοιμασία του στοιχείου που αποστέλλεται, είναι απαραίτητο να συμβουλευτείτε έναν ειδικό για επικίνδυνα υλικά. Επίσης, τηρήστε τους πιθανούς, πιο αναλυτικούς εθνικούς κανονισμούς. Καλύψτε με αυτοκόλλητη ταινία ή κρύψτε τις ανοικτές επαφές και συσκευάστε την μπαταρία με τρόπο που να μην μπορεί να μετακινείται μέσα στη συσκευασία.
11. Τηρήστε τους τοπικούς κανονισμούς που σχετίζονται με τη διάθεση της μπαταρίας.

## ΦΥΛΑΞΤΕ ΤΙΣ ΟΔΗΓΙΕΣ ΑΥΤΕΣ.

**▲ΠΡΟΣΟΧΗ:** Να χρησιμοποιείτε μόνο γνήσιες μπαταρίες της Makita. Η χρήση μη γνήσιων μπαταριών Makita, ή μπαταριών που έχουν τροποποιηθεί, μπορεί να έχει ως αποτέλεσμα τη ρήξη της μπαταρίας, προκαλώντας πυρκαγιά, προσωπικό τραυματισμό και βλάβη. Επίσης, θα ακυρωθεί η εγγύηση της Makita για το εργαλείο και φορτιστή Makita.

## Συμβουλές για τη διατήρηση της μέγιστης ζωής μπαταρίας

1. Φορτίζετε την κασέτα μπαταριών πριν από την πλήρη αποφόρτιση της. Πάντοτε να σταματάτε τη λειτουργία του εργαλείου και να φορτίζετε την κασέτα μπαταριών όταν παρατηρείτε μειωμένη ισχύ εργαλείου.
2. Ποτέ μην επαναφορτίζετε μια πλήρως φορτισμένη κασέτα μπαταριών. Η υπερφόρτιση μειώνει την ωφέλιμη ζωή της μπαταρίας.
3. Να φορτίζετε την κασέτα μπαταριών σε θερμοκρασία δωματίου, δηλαδή στους 10°C έως 40°C. Αφήστε μια θερμή κασέτα μπαταριών να κρυώσει πριν την φορτίσετε.

## ΠΕΡΙΓΡΑΦΗ ΛΕΙΤΟΥΡΓΙΑΣ

**▲ΠΡΟΣΟΧΗ:** Να φροντίζετε πάντα για την απενεργοποίηση του εργαλείου και την αφαίρεση της κασέτας μπαταρίας, πριν από οποιαδήποτε ρύθμιση ή έλεγχο της λειτουργίας του.

## Τοποθέτηση ή αφαίρεση της κασέτας μπαταριών

**▲ΠΡΟΣΟΧΗ:** Να σβήνετε πάντα το εργαλείο πριν τοποθετήσετε ή αφαιρέσετε την κασέτα μπαταριών.

**▲ΠΡΟΣΟΧΗ:** Κρατήστε το εργαλείο και την κασέτα μπαταριών σταθερά κατά την τοποθέτηση ή αφαίρεση της κασέτας μπαταριών. Εάν δεν κρατάτε το εργαλείο και την κασέτα μπαταριών σταθερά μπορεί να γλιστρήσουν από τα χέρια σας και να προκληθεί βλάβη στο εργαλείο και την κασέτα μπαταριών και προσωπικός τραυματισμός.

► **Εικ.1:** 1. Κόκκινη ένδειξη 2. Κουμπί 3. Κασέτα μπαταριών

Για να αφαιρέσετε την κασέτα μπαταριών, ολισθήστε την από το εργαλείο ενώ σύρετε το κουμπί στο μπροστινό μέρος της κασέτας.

Για να τοποθετήσετε την κασέτα μπαταριών, ευθυγραμμίστε τη γλώσσα στην κασέτα μπαταριών με την αλκάνη στην υποδοχή και ολισθήστε τη στη θέση της. Να την τοποθετείτε πλήρως μέχρι να ασφαλίσει στη θέση της, γεγονός που υποδεικνύεται με ένα χαρακτηριστικό ήχο. Εάν μπορείτε να δείτε την κόκκινη ένδειξη στην επάνω πλευρά του κουμπιού, δεν έχει κλειδώσει τελείως.

**▲ΠΡΟΣΟΧΗ:** Να τοποθετείτε πάντα την κασέτα μπαταριών πλήρως μέχρι να μη βλέπετε την κόκκινη ένδειξη. Εάν δεν ασφαλιστεί, μπορεί να πέσει από το εργαλείο τυχαία, προκαλώντας σωματική βλάβη σε εσάς ή κάποιον άλλο γύρω σας.

**▲ΠΡΟΣΟΧΗ:** Μην τοποθετείτε την κασέτα μπαταριών με βία. Εάν η κασέτα δεν ολισθαίνει με ευκολία, τότε δεν έχει τοποθετηθεί κατάλληλα.

## Σύστημα προστασίας μπαταρίας

Το εργαλείο είναι εξοπλισμένο με σύστημα προστασίας της μπαταρίας. Αυτό το σύστημα αποκρίνεται αυτόματα την ισχύ προς το μοτέρ για να παραταθεί η διάρκεια ζωής της μπαταρίας.

Το εργαλείο σταματάει αυτόματα κατά τη διάρκεια της λειτουργίας αν το εργαλείο ή/και η μπαταρία βρεθούν κάτω από τις παρακάτω συνθήκες:

### Υπερφόρτωση:

Το εργαλείο λειτουργεί με τρόπο ώστε να αναγκάζεται να καταναλώνει ασυνήθιστα υψηλό ρεύμα.

Σε αυτή την κατάσταση, σβήστε το εργαλείο και διακόψτε την εφαρμογή που προκαλεί την υπερφόρτωση του εργαλείου. Μετά, ενεργοποιήστε το εργαλείο για επανεκκίνηση.

Αν το εργαλείο δεν ξεκινάει, η μπαταρία έχει υπερθερμανθεί. Σε αυτή την κατάσταση, αφήστε την μπαταρία να κρυώσει πριν ενεργοποιήσετε ξανά το εργαλείο.

### Χαμηλή τάση μπαταρίας:

Η υπόλοιπη χωρητικότητα μπαταρίας είναι πολύ χαμηλή και το εργαλείο δεν λειτουργεί. Αν ενεργοποιήσετε το εργαλείο, το μοτέρ θα τειθεί ξανά σε λειτουργία αλλά θα σταματήσει σύντομα. Σε αυτή την περίπτωση, αφαιρέστε και επαναφορτίστε την μπαταρία.

## Εμφάνιση υπολειπόμενης χωρητικότητας μπαταρίας

**Μόνο για κασέτες μπαταριών «B» στο τέλος του αριθμού μοντέλου**

► **Εικ.2:** 1. Ενδεικτικές λυχνίες 2. Κουμπί ελέγχου

Πιέστε το κουμπί ελέγχου στην κασέτα μπαταριών για να υποδείξετε την υπολειπόμενη χωρητικότητα μπαταρίας. Οι ενδεικτικές λυχνίες ανάβουν για λίγα δευτερόλεπτα.

Ενδεικτικές λυχνίες		Υπόλοιπη χωρητικότητα
■ Αναμμένες	□ Σβηστές	
■ ■ ■ ■	□	75% έως 100%
■ ■ ■ □	□	50% έως 75%
■ ■ □ □	□	25% έως 50%
■ □ □ □	□	0% έως 25%

**ΠΑΡΑΤΗΡΗΣΗ:** Ανάλογα με τις συνθήκες χρήσης και τη θερμοκρασία περιβάλλοντος, η ένδειξη μπορεί να διαφέρει λίγο από την πραγματική χωρητικότητα.

## Ρύθμιση του βάθους κοπής

**▲ΠΡΟΣΟΧΗ:** Μόλις ρυθμίσετε το βάθος κοπής, να σφίγγετε πάντα τη βίδα σύσφιξης με ασφάλεια.

► **Εικ.3:** 1. Βίδα σύσφιξης 2. Οδηγός βάθους

Ξεσφίξτε τη βίδα σύσφιξης στον οδηγό βάθους και μετακινήστε τη βάση πάνω ή κάτω. Στο επιθυμητό βάθος κοπής, ασφαλίστε τη βάση σφίγγοντας τη βίδα σύσφιξης.

## Κωνική κοπή

► **Εικ.4:** 1. Βίδα σύσφιξης 2. Βαθμολογημένη κλίμακα κωνικής κοπής

Ξεσφίξτε τη βίδα σύσφιξης στη βαθμολογημένη κλίμακα κωνικής κοπής στο μπροστινό τμήμα της βάσης. Ρυθμίστε για την επιθυμητή γωνία (0° - 45°) δίνοντας την κατάλληλη κλίση και έπειτα σφίξτε καλά τη βίδα σύσφιξης.

## Σκόπευση

► **Εικ.5:** 1. Γραμμή κοπής

Για ίσιες κοπές, ευθυγραμμίστε τη θέση Α στο εμπρόσθιο της βάσης με τη γραμμή κοπής σας. Για κωνικές κοπές 45°, ευθυγραμμίστε τη θέση Β με αυτήν.

## Δράση διακόπτη

**▲ΠΡΟΣΟΧΗ:** Πριν βάλετε την κασέτα μπαταρίας μέσα στο εργαλείο, να ελέγχετε πάντα να δείτε αν η σκανδάλη διακόπτης ενεργοποιείται κανονικά και επιστρέφει στη θέση «OFF» όταν ελευθερώνεται.

**▲ΠΡΟΣΟΧΗ:** Μην τραβάτε τη σκανδάλη διακόπτη με βία χωρίς να πατάτε το μοχλό ασφάλισης. Μπορεί να σπάσει ο διακόπτης.

► **Εικ.6:** 1. Μοχλός ασφάλισης 2. Σκανδάλη διακόπτης

Για να μην πιέζεται η σκανδάλη διακόπτης κατά λάθος, παρέχεται ένας μοχλός ασφάλισης. Για να ξεκινήσετε τη λειτουργία του εργαλείου, σύρετε το μοχλό ασφάλισης και τραβήξτε τη σκανδάλη διακόπτη. Ελευθερώστε τη σκανδάλη διακόπτη για να σταματήσει.

## ΣΥΝΑΡΜΟΛΟΓΗΣΗ

**▲ΠΡΟΣΟΧΗ:** Να βεβαιώνετε πάντα ότι το εργαλείο είναι σβηστό και η κασέτα μπαταρίας έχει αφαιρεθεί πριν εκτελέσετε κάποια εργασία στο εργαλείο.

## Τοποθέτηση ή αφαίρεση του διαμαντοτροχού

**▲ ΠΡΟΣΟΧΗ:** Να χρησιμοποιείτε μόνο το κλειδί της Makita για την τοποθέτηση και αφαίρεση του διαμαντοτροχού.

**▲ ΠΡΟΣΟΧΗ:** Όταν τοποθετείτε τον διαμαντοτροχό, βεβαιωθείτε να σφίξετε καλά το μπουλόνι.

**▲ ΠΡΟΣΟΧΗ:** Να τοποθετείτε πάντα τον διαμαντοτροχό ώστε το βέλος στο διαμαντοτροχό να είναι στραμμένο προς την ίδια κατεύθυνση με το βέλος στη θήκη διαμαντοτροχού. Διαφορετικά, ο τροχός περιστρέφεται αντίθετα και μπορεί να προκαλέσει προσωπικό τραυματισμό.

- **Εικ.7:** 1. Κλειδωμα άξονα 2. Εξαγωνικό κλειδί  
3. Σφίξτε 4. Ξεσφίξτε
- **Εικ.8:** 1. Εξαγωνικό μπουλόνι 2. Εξωτερική φλάντζα  
3. Διαμαντοτροχός 4. Εσωτερική φλάντζα  
5. Βέλος

Για να αφαιρέσετε το διαμαντοτροχό, πατήστε πλήρως το κλειδωμα άξονα έτσι ώστε ο διαμαντοτροχός να μην μπορεί να περιστραφεί και χρησιμοποιήστε το εξαγωνικό κλειδί για να χαλαρώσετε το εξαγωνικό μπουλόνι αριστερόστροφα. Στη συνέχεια, αφαιρέσετε το εξαγωνικό μπουλόνι, την εξωτερική φλάντζα και το διαμαντοτροχό.

Για να τοποθετήσετε το διαμαντοτροχό, ακολουθήστε τη διαδικασία αφαίρεσης με αντίστροφη σειρά. Βεβαιωθείτε ότι ο διαμαντοτροχός είναι τοποθετημένος με τρόπο ώστε το βέλος στον τροχό να είναι στραμμένο προς την ίδια κατεύθυνση με το βέλος στη θήκη διαμαντοτροχού.  
**ΒΕΒΑΙΩΘΕΙΤΕ ΝΑ ΣΦΙΞΕΤΕ ΚΑΛΑ ΤΟ ΕΞΑΓΩΝΙΚΟ ΜΠΟΥΛΟΝΙ.**

- **Εικ.9:** 1. Εξαγωνικό μπουλόνι 2. Εξωτερική φλάντζα  
3. Διαμαντοτροχός 4. Εσωτερική φλάντζα  
5. Προεξοχή (μεγαλύτερη πλευρά)

**ΠΑΡΑΤΗΡΗΣΗ:** Αν η εσωτερική φλάντζα αφαιρεθεί κατά λάθος, εγκαταστήστε την εσωτερική φλάντζα ώστε η προεξοχή (μεγαλύτερη πλευρά) να είναι στραμμένη όπως απεικονίζεται.

## Φύλαξη εξαγωνικού κλειδιού

- **Εικ.10:** 1. Εξαγωνικό κλειδί

Όταν δεν χρησιμοποιείτε το εξαγωνικό κλειδί, αποθηκεύστε το όπως απεικονίζεται, για να μην το χάσετε.

## Τοποθέτηση παροχής νερού

Ξεσφίξτε τη βίδα Α.

Σύρτε την υποδοχή δοχείου επάνω στο περίβλημα μοτέρ μέχρι η εγκοπή του κολλάρου σύσφιξης (μέρος της υποδοχής δοχείου) να είναι τοποθετημένη μόλις κάτω από την κεφαλή βίδας του εργαλείου, όπως απεικονίζεται.

Μετά, σφίξτε τη βίδα Α.

- **Εικ.11:** 1. Βίδα Α 2. Υποδοχή δοχείου 3. Περίβλημα μοτέρ 4. Εγκοπή του κολλάρου σύσφιξης (μέρος της υποδοχής δοχείου) 5. Κεφαλή βίδας του εργαλείου

Συνδέστε το δοχείο στην υποδοχή δοχείου με τρόπο ώστε η υποδοχή δοχείου να προσαρμοστεί μεταξύ του βήματος και των κουκκίδων. Συνδέστε το καπάκι στο άκρο του σωλήνα στο στόμιο του δοχείου. Περιστρέψτε το δοχείο δεξιόστροφα. Μετά, σφίξτε τη βίδα Β.

- **Εικ.12:** 1. Δοχείο 2. Σωλήνας 3. Βίδα Β

## Παροχή νερού

**▲ ΠΡΟΣΟΧΗ:** Όταν γεμίζετε το δοχείο με νερό, προσέχετε να μην βραχεί το εργαλείο.

Βεβαιωθείτε ότι η στρόφιγγα παροχής νερού είναι κλειστή πριν γεμίσετε το δοχείο με νερό. Ανοίξτε το καπάκι στο δοχείο και γεμίστε με νερό. Τοποθετήστε ξανά το καπάκι στο δοχείο.

- **Εικ.13:** 1. Στρόφιγγα παροχής νερού 2. Κλείσιμο 3. Άνοιγμα
- **Εικ.14:** 1. Καπάκι 2. Άνοιγμα

## ΛΕΙΤΟΥΡΓΙΑ

**▲ ΠΡΟΣΟΧΗ:** Αυτό το εργαλείο πρέπει να χρησιμοποιείται μόνο σε οριζόντιες επιφάνειες.

**▲ ΠΡΟΣΟΧΗ:** Κατά τη διάρκεια της λειτουργίας, βεβαιωθείτε να κρατάτε το τεμάχιο εργασίας σταθερά σε έναν στερεό πάγκο ή τραπέζι.

**▲ ΠΡΟΣΟΧΗ:** Μη συστρέψετε και μην εξαναγκάζετε το εργαλείο κατά την κοπή, διαφορετικά το μοτέρ μπορεί να υπερφορτωθεί ή το τεμάχιο εργασίας μπορεί να σπασεί.

**▲ ΠΡΟΣΟΧΗ:** Μη χρησιμοποιείτε το εργαλείο με τον διαμαντοτροχό σε ανοδική ή πλαγιαστή θέση.

**▲ ΠΡΟΣΟΧΗ:** Ο τροχός για αυτό το εργαλείο είναι ένας διαμαντοτροχός υγρού τύπου για εφαρμογές σε γυαλί και πλακάκια. Βεβαιωθείτε να τροφοδοτείτε νερό στο διαμαντοτροχό κατά τη διάρκεια της λειτουργίας.

**▲ ΠΡΟΣΟΧΗ:** Εάν η αποτελεσματικότητα κοπής του διαμαντοτροχού αρχίσει να μειώνεται, ακονίστε το άκρο κοπής του τροχού χρησιμοποιώντας έναν παλιό άχρηστο τροχό ρυθμίζοντας τη στρόφιγγα παροχής νερού για να λάβετε μια απαλή ροή νερού.  
Ακονίστε πιέζοντας ελαφρά στο εξωτερικό άκρο του διαμαντοτροχού.

- **Εικ.15**

Κρατήστε το εργαλείο σταθερά. Τοποθετήστε τη βάση εργαλείου πάνω στο τεμάχιο εργασίας που πρόκειται να κοπεί χωρίς να έρχεται σε επαφή ο τροχός. Στη συνέχεια, ενεργοποιήστε το εργαλείο και περιμένετε, έως ότου ο τροχός αποκτήσει πλήρη ταχύτητα. Τροφοδοτήστε νερό στον τροχό ρυθμίζοντας τη στρόφιγγα παροχής νερού για να λάβετε μια απαλή ροή νερού.

Μετακινήστε το εργαλείο προς τα εμπρός πάνω στην επιφάνεια του τεμαχίου εργασίας, κρατώντας το επίπεδο και προωθώντας ομαλά έως ότου ολοκληρωθεί η τομή. Φροντίστε η γραμμή κοπής να είναι ευθεία και η ταχύτητα προώθησης ομοιόμορφη.

Για λεπτές, καθαρές κοπές, να κόβετε αργά. (Κατά την κοπή γυαλιού με πάχος 5 χιλιοστών, κόψτε περίπου 250 χιλιοστά/λεπτό. Κατά την κοπή πλακακιών με πάχος 10 χιλιοστών, κόψτε περίπου 300 χιλιοστά/λεπτό.) Επίσης, επιβραδύνετε καθώς ολοκληρώνετε μια κοπή προκειμένου να αποφύγετε το σπάζσιμο ή το ράγισμα του τεμαχίου εργασίας που κόβεται.

**ΠΑΡΑΤΗΡΗΣΗ:** Όταν η θερμοκρασία της κασέτας μπαταριών είναι χαμηλή, το εργαλείο μπορεί να μη λειτουργεί με την πλήρη ικανότητά του. Εάν συμβεί αυτό, για παράδειγμα, χρησιμοποιήστε το εργαλείο για κοπή ελαφράς χρήσης για λίγη ώρα μέχρι η θερμοκρασία της κασέτας μπαταριών να αυξηθεί μέχρι τη θερμοκρασία δωματίου. Μετά, το εργαλείο μπορεί να χρησιμοποιηθεί με την πλήρη ικανότητά του.

**ΠΑΡΑΤΗΡΗΣΗ:** Βεβαιωθείτε ότι η στρόφιγγα παροχής νερού είναι κλειστή πριν από τη λειτουργία.

## ΣΥΝΤΗΡΗΣΗ

**⚠️ ΠΡΟΣΟΧΗ:** Πριν την εκτέλεση εργασιών επιθεώρησης ή συντήρησης, πάντοτε να βεβαιώνεστε ότι η συσκευή απενεργοποιήθηκε και η κασέτα μπαταριών έχει αφαιρεθεί.

**ΕΙΔΟΠΟΙΗΣΗ:** Μην χρησιμοποιείτε ποτέ βενζίνη, πετρελαϊκό αιθέρα, διαλυτικό, αλκοόλη ή παρόμοιες ουσίες. Μπορεί να προκληθεί αποχρωματισμός, παραμόρφωση ή ρωγμές.

Για τη διατήρηση της ΑΣΦΑΛΕΙΑΣ και ΑΞΙΟΠΙΣΤΙΑΣ του προϊόντος, οι επισκευές και οποιαδήποτε άλλη εργασία συντήρησης ή ρύθμισης πρέπει να εκτελούνται από εξουσιοδοτημένα ή εργοστασιακά κέντρα εξυπηρέτησης της Makita, χρησιμοποιώντας πάντοτε ανταλλακτικά της Makita.

## ΠΡΟΑΙΡΕΤΙΚΑ ΕΞΑΡΤΗΜΑΤΑ

**⚠️ ΠΡΟΣΟΧΗ:** Αυτά τα εξαρτήματα ή προσαρτήματα συνιστώνται για χρήση με το εργαλείο Makita που περιγράφηκε στις οδηγίες αυτές. Η χρήση οποιωνδήποτε άλλων εξαρτημάτων ή προσαρτημάτων μπορεί να προκαλέσει κίνδυνο τραυματισμού σε άτομα. Να χρησιμοποιείτε τα εξαρτήματα ή προσαρτήματα μόνο για την χρήση που προορίζονται.

Εάν χρειάζεστε οποιαδήποτε βοήθεια για περισσότερες πληροφορίες σε σχέση με αυτά τα εξαρτήματα, απευθυνθείτε στο τοπικό σας κέντρο εξυπηρέτησης Makita.

- Διαμαντροχοί
- Εξαγωνικό κλειδί
- Γνήσια μπαταρία και φορτιστής της Makita

**ΠΑΡΑΤΗΡΗΣΗ:** Μερικά στοιχεία στη λίστα μπορεί να συμπεριλαμβάνονται στη συσκευασία εργαλείου ως στάνταρ εξαρτήματα. Μπορεί να διαφέρουν ανάλογα με τη χώρα.

## TEKNİK ÖZELLİKLER

Model:	CC301D	
Elmas disk çapı	85 mm	
Maks. disk kalınlığı	0,8 mm	
Maks. kesim derinliği	0° eğimde	25,5 mm
	45° eğimde	16,5 mm
Nominal hız	1.500 min <sup>-1</sup>	
Anma voltajı	D.C. 10,8 V	
Batarya kartuşu	BL1015, BL1020B	BL1040B
Toplam uzunluk	313 mm	331 mm
Net ağırlık	1,8 kg	1,9 kg

- Sürekli yapılan araştırma ve geliştirmelerden dolayı, burada belirtilen özellikler önceden bildirilmeksizin değiştirilebilir.
- Özellikler ve batarya kartuşu ülkeden ülkeye değişebilir.
- EPTA-Prosedürü 01/2003 uyarınca batarya kartuşu ile birlikte ağırlık

### Kullanım amacı

Bu alet cam ve taş malzemelerde elmas disk ve su ile kesim yapmak için tasarlanmıştır.

### Gürültü

Tipik A-ağırlıklı gürültü düzeyi (EN60745 standardına göre belirlenen):

Ses basınç seviyesi ( $L_{pA}$ ): 84 dB (A)

Ses gücü düzeyi ( $L_{WA}$ ): 95 dB (A)

Belirsizlik (K): 3 dB (A)

**UYARI:** Kulak koruyucuları takın.

### Titreşim

Titreşim toplam değeri (üç eksenli vektör toplamı) (EN60745 standardına göre hesaplanan):

Çalışma modu: beton kesme

Titreşim emisyonu ( $a_{hV}$ ): 2,5 m/s<sup>2</sup> den az

Belirsizlik (K) : 1,5 m/s<sup>2</sup>

**NOT:** Beyan edilen titreşim emisyon değeri standart test yöntemine uygun şekilde ölçülmüştür ve bir aleti bir başkasıyla karşılaştırmak için kullanılabilir.

**NOT:** Beyan edilen titreşim emisyon değeri bir ön maruz kalma değerlendirmesi olarak da kullanılabilir.

**UYARI:** Bu elektrikli aletin gerçek kullanımı sırasındaki titreşim emisyonu aletin kullanım biçimlerine bağlı olarak beyan edilen emisyon değerinden farklı olabilir.

**UYARI:** Gerçek kullanım koşullarındaki maruz kalmanın bir tahmini hesaplaması temelinde operatörü koruyacak güvenlik önlemlerini mutlaka belirleyin (çalışma döngüsü içerisinde aletin kapalı olduğu ve aktif durumda olmasının yanı sıra boşa çalıştığı zamanlar gibi, bütün zaman dilimleri göz önünde bulundurulur değerlendirilmelidir).

### EC Uygunluk Beyanı

**Sadece Avrupa ülkeleri için**

AB uygunluk beyanı bu kullanım kılavuzuna Ek A olarak eklenmiştir.

## GÜVENLİK UYARILARI

### Genel elektrikli alet güvenliği uyarıları

**UYARI:** Tüm güvenlik uyarılarını ve tüm talimatları okuyun. Uyarılara ve talimatlara uyulmaması elektrik şoku, yangın ve/veya ciddi yaralanmalar ile sonuçlanabilir.

### Tüm uyarıları ve talimatları ile-ride başurmak için saklayın.

Uyarılardaki "elektrikli alet" terimi ile ya prizden çalışan (kordonlu) elektrikli aletiniz ya da kendi aküsü ile çalışan (kordonsuz) elektrikli aletiniz kastedilmektedir.

### Kablosuz kesme makinasıyla ilgili güvenlik uyarıları

1. **Aletle birlikte sağlanan siper, elektrikli alete sıkıca sabitlenmeli ve operatörü diskten alabil-diğince korumak için en yüksek güvenliği sağla-yacak şekilde konumlandırılmalıdır. Kendinizi ve etrafınızdaki diğer kişileri dönen diskin düzlemin-den uzak tutun. Siper, operatörü kırık disk parçala-rından ve diske kazayla temas etmekten korur.**
2. **Elektrikli aletiniz için sadece elmas kesme diskleri kullanın. Bir aksesuarın elektrikli aleti-nize takılabilirliği olması, tek başına onun güvenli çalışacağını garanti etmez.**

3. **Aksesuarın nominal hızı en azından elektrikli aletin üstünde belirtilen maksimum hıza eşit olmalıdır.** Nominal hızlarından daha hızlı çalışan aksesuarlar kırılabilir ve fırlayabilir.
4. **Diskler sadece tavsiye edilen uygulamalar için kullanılmalıdır.** Örneğin: kesme diskinin yan tarafıyla taşlama yapmayın. Aşındırıcı kesme diskleri periferik taşlama için tasarlanmıştır, bu disklere yandan baskı uygulanması çatlamalarına neden olabilir.
5. **Daima, seçtiğiniz diskiniz için doğru çapta, hasarsız flanşlar kullanın.** Doğru disk flanşları diski destekleyerek, disk kırılması olasılığını azaltır.
6. **Aksesuarınızın dış çapı ve kalınlığı elektrikli aletinizin kapasite derecelendirmesi dahilinde olmalıdır.** Doğru boyutta olmayan aksesuarlar yeterince korunamayabilir veya kontrol edilemeyebilir.
7. **Disklerin ve flanşların malafa deliği boyutları elektrikli aletin miline tam olarak uymalıdır.** Malafa delikleri elektrikli alette monte edildiği donanımına uymayan diskler ve flanşlar dengesiz döner, aşırı titreşim yapar ve kontrolden çıkabilir.
8. **Hasarlı diskleri kullanmayın.** Her kullanımdan önce, disklerde çentik ve çatlak kontrolü yapın. **Eğer elektrikli alet veya disk düşürülürse, hasar muayenesi yapın veya hasarsız diski takın.** Bir diski muayene ettikten ve taktıktan sonra, kendinizi ve etrafınızdaki kişileri döner diskin düzleminde uzak tutun ve elektrikli aleti bir dakika kadar maksimum yüksüz hızda çalıştırın. Bu test çalıştırması sırasında hasarlı diskler normal olarak parçalanır.
9. **Kişisel koruyucu donanım kullanın.** Uygulanmaya bağlı olarak yüz siperleri veya güvenlik gözlükleri kullanın. Uygun görüldüğü şekilde toz maskesi, kulak koruyucuları, eldiven ve aşındırıcı diskten veya iş parçasından kopan küçük parçaları durdurabilecek iş önlüğü takın. Göz koruyucuları çeşitli işlemlerin üreteceği uçan kırıntıları durdurabilecek nitelikte olmalıdır. Toz maskesi veya solunum cihazı yaptığınız işlemin üreteceği küçük parçacıkları süzebilecek nitelikte olmalıdır. Uzun süre yüksek yoğunlukta gürültüye maruz kalmak işitme kaybına neden olabilir.
10. **Etrafınızdaki kişileri çalışma alanından güvenli bir uzaklıkta tutun.** Çalışma alanına giren herkes kişisel koruyucu donanım kullanmalıdır. Kırılan bir diskin veya iş parçasının kırıkları uzağa fırlayıp, çalışma yerinin ötesinde yaralanmalara neden olabilir.
11. **Kesici aksesuarın görünmeyen kabloları temas etme olasılığı bulunan yerlerde çalışırken elektrikli aleti yalıtımlı kavrama yüzeylerinden tutun.** Kesici aksesuarın "akımlı" bir telle temas etmesi elektrikli aletin yalıtımsız metal kısımlarını "akımlı" hale getirebilir ve kullanıcıyı elektrik şokuna maruz bırakabilir.
12. **Kordonu döner aksesuardan uzakta tutun.** Eğer kontrolü kaybederseniz, kordon kesilebilir veya takılabilir ve eliniz ya da kolunuz döner diske doğru çekilebilir.
13. **Aksesuar tamamen durmadan önce elektrikli aleti kesinlikle yere koymayın.** Döner disk yere sürtünüp, elektrikli aletin kontrolünüz dışında fırlamasına neden olabilir.

14. **Elektrikli aleti yalnızca yarıncı çalıştırmayın.** Giysilerinizin kazayla döner aksesuara temas etmesi sonucu giysiniz takılarak aksesuarı vücudunuza doğru çekebilir.
15. **Elektrikli aletin havalandırma deliklerini düzenli olarak temizleyin.** Motorun fanı tozu gövdenizi içine çeker ve aşırı toz metal birikimi elektrik tehlikelerine neden olabilir.
16. **Elektrikli aleti tutuşabilen malzemelerin yakınında kullanmayın.** Kıvılcımlar bu malzemeleri tutuşturabilir.

#### **Geri tepme ve ilgili uyarılar**

Geri tepme döner diskin sıkışmasına veya takılmasına ani bir tepkidir. Sıkışma veya takılma döner diskin aniden durmasına ve bu da elektrikli aletin tutukluk noktasında diskin dönme yönünün tersi doğrultuda kontrolsüz şekilde itilmesine neden olur.

Örneğin, eğer bir aşındırıcı disk iş parçasına takılır veya sıkışırsa, sıkışma noktasına giren diskin kenarı malzeme yüzeyine batarak, diskin dışarı tırmanmasına veya geri tepmesine neden olabilir. Disk, sıkışma noktasında diskin hareket yönüne bağlı olarak operatöre veya ondan uzağa doğru sıçrayabilir. Bu koşullarda aşındırıcı diskler kırılabilir de.

Geri tepme elektrikli aletin başka amaçla kullanılmasının ve/veya yanlış kullanım usulleri veya koşullarının bir sonucudur ve aşağıda belirtildiği gibi doğru önlemlerle önlenir.

1. **Elektrikli aleti daima sıkıca kavrayın ve vücudunuzun ve kolunuzun duruşunu geri tepme kuvvetlerine direnç gösterecek şekilde ayarlayın.** İlk çalıştırma sırasında geri tepme veya tork etkisi üzerinde maksimum kontrol sağlamak için, eğer varsa, daima yardımcı kolu kullanın. Eğer doğru önlemler alınır, operatör tork etkilerini veya geri tepme kuvvetlerini kontrol edebilir.
2. **Elinizi asla döner aksesuarın yakınına koymayın.** Aksesuar elinizin üstüne doğru geri tepebilir.
3. **Vücudunuzu döner diskle aynı hizada tutmayın.** Geri tepme, takılma noktasında aleti diskin hareketinin tersi yönde iter.
4. **Köşeler, keskin kenarlar vb. üzerinde çalışırken çok dikkatli olun.** Aksesuarın sallanmasını veya takılmasını önleyin. Köşelerde, keskin kenarlarda veya zıplama halinde döner aksesuarın takılma eğilimi vardır ve kontrol kaybına veya geri tepmeye neden olur.
5. **Zincir testere, oyma bacağı, 10 mm'den fazla periferik boşluklu segmentli elmas disk ya da dişli testere bıçağı takmayın.** Bu bıçaklar sıkıca geri tepme ve kontrol kaybı yaratır.
6. **Diski "sıkıştırmayın" ya da aşırı basınç uygulamayın.** Aşırı derinlikte bir kesme yapmaya çalışmayın. Diskin aşırı zorlanması yükü ve diskin kesik içinde bükülme veya takılma olasılığını artırarak, geri tepmeye veya diskin kırılmasına neden olabilir.
7. **Disk takıldığı veya herhangi bir nedenle kesmeyi durdurduğu zaman, elektrikli aleti kapatın ve disk tamamen duruncaya kadar elektrikli aleti hareketsiz şekilde tutun.** Disk hareket halindeyken onu kesinlikle kesikten çıkarmaya çalışmayın aksi takdirde geri tepme oluşabilir. Diskin takılma nedenini araştırıp, ortadan kaldırmak için düzeltici işlemleri yapın.



8. İş parçasında kesme işlemine yeniden başlamayın. Diskin tam hıza ulaşmasını bekleyin ve dikkatli şekilde tekrar kesişe geçirin. Elektrikli alet iş parçası içinde tekrar çalıştırılırsa, disk takılabilir, yukarı tırmanabilir veya geri tepebilir.
9. Diskin takılması ve geri tepme riskini en aza indirmek için panelleri ve çok büyük iş parçalarını destekleyin. Büyük iş parçaları kendi ağırlıkları altında bel vermeye meyillidir. Destekler diskten her iki yanında kesme hattına ve iş parçasının kenarına yakın olarak, iş parçasının altına yerleştirilmelidir.
10. Mevcut duvarların veya diğer kör alanların içine "cep kesme" yaparken daha fazla dikkat gösterin. Fazla ileri giden disk; gaz veya su borularını, elektrik kablolarını veya geri tepmeye neden olabilecek nesnelere kesebilir.

#### Ek Güvenlik Uyarıları:

1. Segmentli bir elmas disk kullanmadan önce, elmas diskin segmentleri arasında sadece negatif bir talaş açısı ile 10 mm veya daha az periferik boşluk olduğundan emin olun.
2. Alet menenede ters olarak tutulmuş şekilde kesim yapmaya çalışmayın. Bu çok tehlikeli bir davranış olur ve ciddi kazalara yol açabilir.
3. Bazı malzemeler zehirli olabilen kimyasallar içerir. Toz yutmayı ve cilt temasını önlemek için tedbir alın. Malzeme sağlayıcısının güvenlik bilgilerine uyun.
4. Diskleri üretici tavsiyelerine uygun olarak muhafaza edin. Uygun olmayan muhafaza disklere zarar verebilir.

## BU TALİMATLARI MUHAFAZA EDİNİZ.

**⚠ UYARI:** Ürünü kullanırken (defalarca kullanınca kazanılan) rahatlık ve tanıdıklık duygusunun ilgili ürünün güvenlik kurallarına sıkı sıkıya bağlı kalmanın yerine geçmesine İZİN VERMEYİN. YANLIŞ KULLANIM veya bu kullanma kılavuzunda belirtilen emniyet kurallarına uymama ciddi yaralanmaya neden olabilir.

### Batarya kartuşu hakkında önemli güvenlik talimatları

1. Batarya kartuşunu kullanmadan önce, tüm talimatları ve (1) batarya kartuşu, (2) batarya ve (3) ürün üzerindeki tüm uyarı işaretlerini okuyun.
2. Batarya kartuşunu demonte etmeyin.
3. Çalışma süresi aşırı derecede kısalmışsa kullanmayı derhal bırakın. Aşırı ısınma, yanma riski hatta patlamaya neden olabilir.
4. Gözünüze elektrolit kaçarsa, gözlerinizi temiz suyla durulayın ve hemen tıbbi yardım alın. Görme kaybına yol açabilir.
5. Batarya kartuşuna kısa devre yaptırmayın:
  - (1) Terminallere herhangi bir iletken madde değdirmeyin.
  - (2) Batarya kartuşunu çiviler, madeni paralar, vb. gibi başka metal nesnelere aynı kaba koymaktan kaçının.
  - (3) Batarya kartuşunu yağmura ya da suya maruz bırakmayın.

6. Kısa devre, büyük bir akım akışına, aşırı ısınmaya, olası yangılara hatta bataryanın bozulmasına yol açabilir.
7. Aleti ve batarya kartuşunu sıcaklığın 50°C ya da daha yükseğe ulaştığı yerlerde saklamayın.
8. Aşırı derecede hasar görmüş ya da tamamen kullanılmaz durumda olsa bile batarya kartuşunu yakmayın. Batarya kartuşu ateşe atılırsa patlayabilir.
9. Bataryayı düşürmemeye ve çarpmamaya dikkat edin.
10. Hasarlı bataryayı kullanmayın.
11. Aletin içerdığı lityum-iyon bataryalar Tehlikeli Eşyalar Yönetmeliğinin gereksinimlerine tabidir. Ticari nakliye işlemleri için, örneğin üçüncü taraflar, nakliye acenteleri tarafından yapılan nakliyelerde, paketleme ve etiketleme gereksinimlerine uyulmalıdır. Nakliyesi yapılacak ürünün hazırlanması için, tehlikeli maddeler konusunda uzman bir kişiye danışın. Lütfen muhtemelen daha ayrıntılı olan ulusal yönetmeliklere de uyun. Açık kontakları bantlayın ya da maskeleyin ve bataryayı paketin içinde hareket etmeyecek şekilde paketleyin.

## BU TALİMATLARI MUHAFAZA EDİNİZ.

**⚠ DİKKAT:** Sadece orijinal Makita bataryalarını kullanın. Orijinal olmayan Makita bataryaları ya da üzerine değişiklik yapılmış bataryaların kullanımı bataryanın patlamasına ve sonuç olarak yangın, kişisel yaralanma ve hasara neden olabilir. Ayrıca Makita aleti ve şarj aletinin Makita tarafından sunulan garantisini de geçersiz olur.

## Maksimum batarya ömrü için ipuçları

1. Batarya kartuşunu tamamen boşalmadan önce şarj edin. Aletin gücünün zayıflamaya başladığını fark ettiğinizde aleti durdurun ve batarya kartuşunu şarj edin.
2. Tam dolu bir batarya kartuşunu asla yeniden şarj etmeyin. Aşırı şarj etme bataryanın hizmet ömrünü kısaltır.
3. Batarya kartuşunu 10°C - 40°C oda sıcaklığında şarj edin. Sıcak bir batarya kartuşunu şarj etmeden önce soğumasını bekleyin.

## İŞLEVSEL NİTELİKLER

**⚠ DİKKAT:** Alet üzerinde ayarlama veya işleyiş kontrolü yapmadan önce aletin kapalı ve batarya kartuşunun ayrılmış olduğundan daima emin olun.

## Batarya kartuşunun takılması ve çıkarılması

**⚠DİKKAT:** Batarya kartuşunu takmadan ya da çıkarmadan önce aleti daima kapatın.

**⚠DİKKAT:** Batarya kartuşunu takarken veya çıkarırken aleti ve batarya kartuşunu sıkıca tutun. Aletin ve batarya kartuşunun sıkıca tutulmaması bunların düşürülmesine sebep olabilir ve alet ve batarya kartuşunun zarar görmesine ya da ciddi yaralanmasına yol açabilir.

► **Şek.1:** 1. Kırmızı gösterge 2. Düğme 3. Batarya kartuşu

Batarya kartuşunu çıkarmak için, kartuşun ön tarafındaki düğmeyi kaydırarak kartuşu aletten çıkarın.

Batarya kartuşunu takmak için, batarya kartuşu üzerindeki dili yuvanın çentiği ile hizalayın ve yerine oturtun. Hafif bir tık sesi duyulana kadar itip yerine tam oturmasını sağlayın. Düğmenin üst tarafındaki kırmızı gösterge görünüyorsa tam yerine kilitlenmemiş demektir.

**⚠DİKKAT:** Batarya kartuşunu daima kırmızı gösterge görünmeyecek şekilde tam olarak takın. Yerine tam oturmazsa, aletten yanlışlıkla düşebilir, sizin ya da çevrenizdeki kişilerin yaralanmasına neden olabilir.

**⚠DİKKAT:** Batarya kartuşunu zorlayarak takmayın. Kartuş kolay bir şekilde kaymıyorsa doğru yerleştirilmemiş demektir.

## Batarya koruma sistemi

Bu alet bir batarya koruma sistemi ile donatılmıştır. Bu sistem motora giden gücü otomatik olarak keserek uzun batarya ömrü sağlar.

Alet ve/veya batarya için aşağıdaki durumlardan biri söz konusu olduğunda aletin işleyişi otomatik olarak durur:

### Aşırı yüklenme:

Alet, anormal derecede yüksek akım çekmesine neden olacak şekilde kullanılmaktadır.

Bu durumda, aleti kapatın ve aletin aşırı yüklenmesine neden olan uygulamayı durdurun. Daha sonra aleti yeniden başlaması için çalıştırın.

Alet çalışmaya başlamazsa, batarya aşırı ısınmış demektir. Bu durumda, aleti yeniden çalıştırmadan önce bataryanın soğumasını bekleyin.

### Düşük batarya voltajı:

Kalan batarya kapasitesi çok düşüktür ve alet çalışmaz. Aleti çalıştırırsanız, motor tekrar çalışır fakat kısa zaman sonra durur. Bu durum söz konusuysa, bataryayı çıkarıp şarj edin.

## Kalan batarya kapasitesinin gösterilmesi

**Sadece model numarasının sonunda "B" yazan batarya kartuşları için**

► **Şek.2:** 1. Gösterge lambaları 2. Kontrol düğmesi

Kalan batarya kapasitesini göstermesi için batarya kartuşu üzerindeki kontrol düğmesine basın. Gösterge lambaları birkaç saniye yanar.

Gösterge lambaları		Kalan kapasite
Yanıyor	Kapalı	
■ ■ ■ ■	□	%75 ila %100
■ ■ ■ □	□	%50 ila %75
■ ■ □ □	□ □	%25 ila %50
■ □ □ □	□ □ □	%0 ila %25

**NOT:** Kullanım koşullarına ve ortam sıcaklığına bağlı olarak, gösterilen değer gerçek kapasiteden biraz farklılık gösterebilir.

## Kesimin derinliğini ayarlamak

**⚠DİKKAT:** Kesim derinliğini ayarladıktan sonra sıkma vidasını daima iyice sıkılayın.

► **Şek.3:** 1. Sıkma vidası 2. Derinlik kılavuzu

Derinlik kılavuzunun üzerindeki sıkıştırma vidasını gevşetin ve kaideyi yukarı veya aşağıya doğru hareket ettirin. İstenilen kesim derinliğinde sıkıştırma vidasını sıkılayarak kaideyi sabitleyin.

## Eğimli kesim

► **Şek.4:** 1. Sıkma vidası 2. Eğim ölçüğü plakası

Kaidenin ön kısmındaki eğim ölçüğü plakasının üzerinde bulunan sıkma vidasını gevşetin. Uygun şekilde eğerek istenilen açıya (0° - 45°) ayarlayın, ardından sıkma vidası ile sağlam bir şekilde sabitleyin.

## Nişanlama

► **Şek.5:** 1. Kesim çizgisi

Düz kesimler için kaidenin önündeki A konumunu kesim çizginizle hizalayın. 45° eğimli kesme için B konumunu kesim çizginizle hizalayın.

## Anahtar işlemi

**⚠DİKKAT:** Batarya kartuşunu alete takmadan önce anahtar tetiğinin doğru çalıştığından ve bırakıldığında "OFF" (kapalı) konumuna döndüğünden emin olun.

**⚠DİKKAT:** Güvenlik kilidi koluna bastırmadan anahtar tetiği zorlayarak çekmeyin. Bu, anahtarın kırılmasına neden olabilir.

► **Şek.6:** 1. Güvenlik kilidi kolu 2. Anahtar tetik

Anahtar tetiğinin kaza sonucu çekilmesini önlemek için, bir güvenlik kilidi kolu sunulmuştur. Aleti başlatmak için, güvenlik kilidi kolunu kaydırın ve anahtar tetiği çekin. Durdurmak için anahtar tetiği bırakın.

## MONTAJ

**⚠DİKKAT:** Alet üzerinde herhangi bir iş yapmadan önce aletin kapalı ve batarya kartuşunun ayrılmış olduğundan daima emin olun.

### Elmas diskin takılması veya çıkarılması

**⚠DİKKAT:** Elmas disk takmak veya çıkarmak için sadece Makita marka anahtar kullanın.

**⚠DİKKAT:** Elmas disk takarken, civatayı iyice sıkıladığınızdan emin olun.

**⚠DİKKAT:** Elmas disk daima, elmas disk üzerindeki ok işareti elmas disk muhafazası üzerindeki ok işareti ile aynı yöne bakacak şekilde yerleştirin. Aksi takdirde disk ters yönde döner, kişisel yaralanmaya neden olabilir.

- **Şek.7:** 1. Şaft kilidi 2. Altıgen anahtar 3. Sıkıla Gevşet
- **Şek.8:** 1. Altıgen civata 2. Dış flanş 3. Elmas disk 4. İç flanş 5. Ok

Elmas disk çıkarmak için, şaft kilidine tamamen basarak elmas diskin dönmelerini engelleyin ve altıgen anahtarları kullanarak altıgen civataları saatin aksi yönde çevirerek gevşetin. Ardından, altıgen civatayı, dış flanş ve elmas disk çıkarın.

Elmas disk takmak için, çıkarma işlemlerini tersinden uygulayın. Elmas disk, disk üzerindeki ok işareti elmas disk muhafazası üzerindeki ok işareti ile aynı yöne bakacak şekilde yerleştirdiğinizden emin olun. ALTIGEN CIVATAYI İYİCE SIKILADIĞINIZDAN EMİN OLUN.

- **Şek.9:** 1. Altıgen civata 2. Dış flanş 3. Elmas disk 4. İç flanş 5. Çıkıntı (daha büyük olan taraf)

**NOT:** Bir iç flanş tesadüfen çıkarsa, iç flanş çıkıntılı kısmı (daha büyük olan taraf) şekilde gösterildiği gibi içe bakacak şekilde takın.

### Altıgen anahtarın saklanması

- **Şek.10:** 1. Altıgen anahtar

Kullanılmadığı zamanlarda, altıgen anahtarın kaybolmasını önlemek için anahtar şeklinde gösterildiği gibi saklayın.

### Su beslemesinin takılması

A vidasını gevşetin.

Hazne tutucuyu kelepçenin çentiği (hazne tutucunun parçası) şekilde gösterildiği gibi aletin vida başının hemen altına yerleşecek şekilde motor yuvasına kadar kaydırın.

Ardından A vidasını sıkılayın.

- **Şek.11:** 1. A Vidası 2. Hazne tutucu 3. Motor yuvası 4. Kelepçenin çentiği (hazne tutucunun parçası) 5. Aletin vida başı

Hazneyi, hazne tutucu çıkıntı ve noktalar arasına tam olarak oturacak şekilde hazne tutucuya takın. Tüp ucu üzerindeki kapağı haznenin ağzına takın. Hazneyi saat yönünde döndürün. Ardından B vidasını sıkılayın.

- **Şek.12:** 1. Hazne 2. Tüp 3. B Vidası

## Su beslemesi

**⚠DİKKAT:** Hazneye su doldururken aletin ıslanmamasına dikkat edin.

Hazneye su doldurmadan önce su beslemesi musluğunun kapalı olduğundan emin olun. Hazne üzerindeki kapağı açın ve suyu doldurun. Haznenin kapağını yeni den kapatın.

- **Şek.13:** 1. Su beslemesi musluğu 2. Kapat 3. Aç
- **Şek.14:** 1. Kapak 2. Aç

## KULLANIM

**⚠DİKKAT:** Bu alet sadece yatay yüzeylerde kullanılmalıdır.

**⚠DİKKAT:** Çalışma sırasında iş parçasını sabit bir tezgah ya da masa üzerinde tuttuğunuzdan emin olun.

**⚠DİKKAT:** Kesim sırasında makineyi bükmeyin ve zorlamayın, aksi takdirde aşırı yüklenme oluşabilir ve iş parçası kırılabilir.

**⚠DİKKAT:** Aleti, elmas disk yukarı ya da yana bakacak şekilde kullanmayın.

**⚠DİKKAT:** Bu alette kullanılan disk, cam ve seramik uygulamalarında kullanılan ıslak tip bir elmas disktr. Kullanım sırasında elmas diske su beslediğinizden emin olun.

**⚠DİKKAT:** Elmas diskin kesim etkinliği azalmaya başlarsa, diskin kesim yapan kenarını eski bir kalın taneli taşlama diski ya da beton bloğu kullanarak bileyebilirsiniz. Elmas diskin dış kenarına hafifçe bastırarak bileyin.

- **Şek.15**

Aleti sıkıca tutun. Kaideyi kesilecek iş parçasının üzerine yerleştirirken diskin temas etmediğinden emin olun. Aleti çalıştırın ve disk tam hıza ulaşana kadar bekleyin. Su besleme musluğunu ayarlayarak hafif bir su akışı ile diske su beslemesi yapın.

Aleti iş parçasının yüzeyi üzerinde ileri doğru ittirip kesim işlemi tamamlanana kadar düz tutarak yumuşak bir şekilde ilerletin. Kesim çizginizi düz, kesim hızınızı sabit tutun.

İyi ve temiz bir kesim için yavaşça kesin. (5 mm kalınlığındaki cam plakaları keserken, yaklaşık 250 mm/min hızında kesim yapın. 10 mm kalınlığındaki seramikleri keserken, yaklaşık 300 mm/min hızında kesim yapın.) Ayrıca kesilen iş parçasının kırılmasını ya da çatlamasını önlemek için kesimi tamamlarken hızınızı yavaşlatın.

**NOT:** Batarya kartuşunun sıcaklığı düşük olduğunda, alet tam kapasitede çalışmayabilir. Bu durumda, batarya kartuşu ısınır oda sıcaklığına ulaşınca kadar, aleti bir müddet boyunca, örnek vermek gerekirse, hafif güç gerektiren bir işte kullanın. Böylece, alet tam kapasitede çalışabilir.

**NOT:** Çalıştırmadan önce su beslemesi musluğunun kapalı olduğundan emin olun.

# BAKIM

**⚠ DİKKAT:** Muayene ya da bakım yapmadan önce aletin kapalı ve batarya kartuşunun çıkartılmış olduğundan daima emin olun.

**ÖNEMLİ NOT:** Benzin, tiner, alkol ve benzeri maddeleri kesinlikle kullanmayın. Renk değişimi, deformasyon veya çatlaklar oluşabilir.

Aleti EMNİYETLİ ve ÇALIŞMAYA HAZIR durumda tutmak için onarımlar, başka her türlü bakım ve ayarlamalar daima Makita yedek parçaları kullanılarak Makita yetkili servis merkezleri veya Fabrikanın Servis Merkezleri tarafından yapılmalıdır.

## İSTEĞE BAĞLI AKSESUARLAR

**⚠ DİKKAT:** Bu aksesuarlar ve ek parçalar bu el kitabında belirtilen Makita aletiniz ile kullanılmak için tavsiye edilmektedir. Herhangi başka bir aksesuar ya da ek parça kullanılması insanlar için bir yaralanma riski getirebilir. Aksesuarları ya da ek parçaları yalnızca belirtilmiş olan kullanım amaçlarına uygun olarak kullanın.

Bu aksesuarlarla ilgili daha fazla bilgiye ihtiyaç duysanız bulunduğunuz yerdeki yetkili Makita servisine başvurun.

- Elmas diskler
- Altıgen anahtar
- Orijinal Makita batarya ve şarj aleti

**NOT:** Listedeki parçaların bazıları alet paketi içerisinde standart aksesuar olarak dahil edilmiş olabilir. Bunlar ülkeden ülkeye farklılık gösterebilir.

Makita Jan-Baptist Vinkstraat 2, 3070, Belgium  
Makita Corporation Anjo, Aichi, Japan

[www.makita.com](http://www.makita.com)

885502-992  
EN, FR, DE, IT,  
NL, ES, PT, DA,  
EL, TR  
20151221