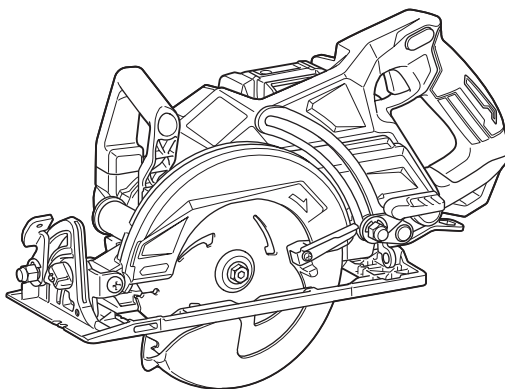


EN	Cordless Rear Handle Saw	INSTRUCTION MANUAL	6
SV	Sladdlös såg med handtag baktill	BRUKSANVISNING	14
NO	Batteridrevet sirkelsag	BRUKSANVISNING	23
FI	Akkukäyttöinen takakahvallinen saha	KÄYTTÖOHJE	32
DA	Akku sav med baghåndtag	BRUGSANVISNING	41
LV	Bezvadu motorzāģis ar aizmugures rokturi	LIETOŠANAS INSTRUKCIJA	50
LT	Akumulatorinis pjūklas su galine rankena	NAUDOJIMO INSTRUKCIJA	59
ET	Juhtmeta tagumise käepidemega saag	KASUTUSJUHEND	68
RU	Аккумуляторная дисковая пила	РУКОВОДСТВО ПО ЭКСПЛУАТАЦИИ	77

RS001G



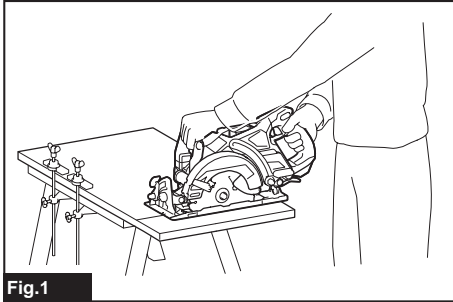


Fig.1

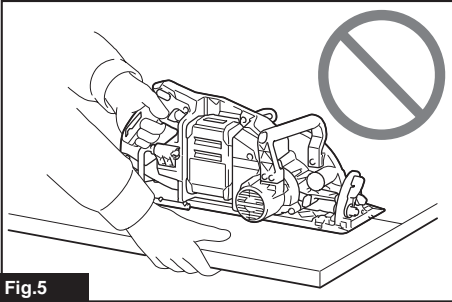


Fig.5

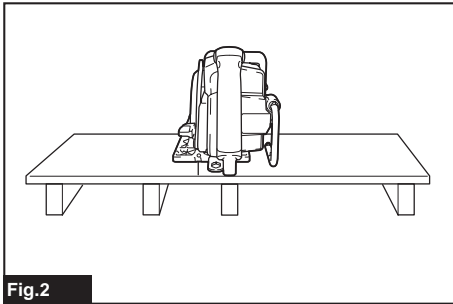


Fig.2

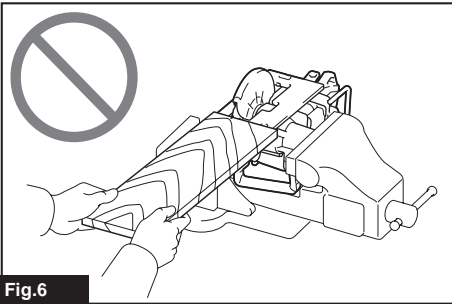


Fig.6

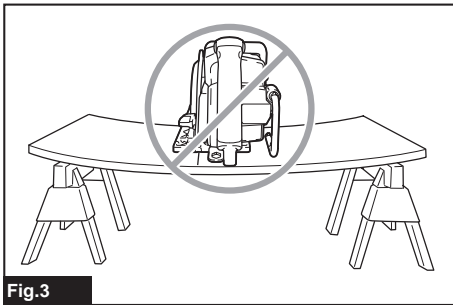


Fig.3

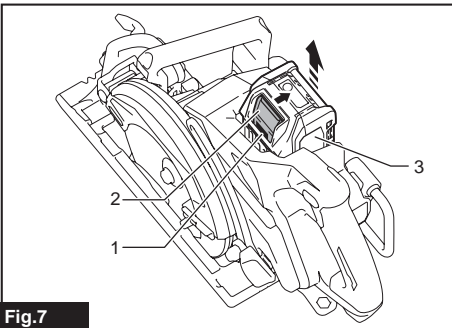


Fig.7

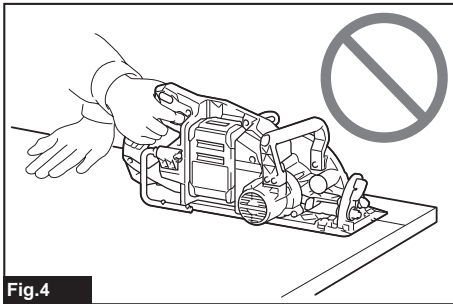


Fig.4

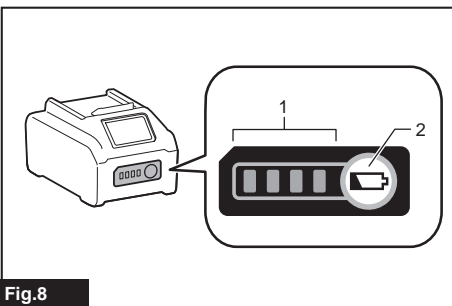


Fig.8

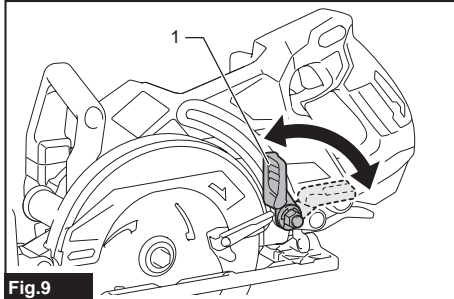


Fig.9

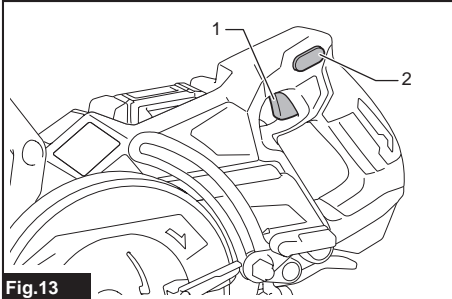


Fig.13

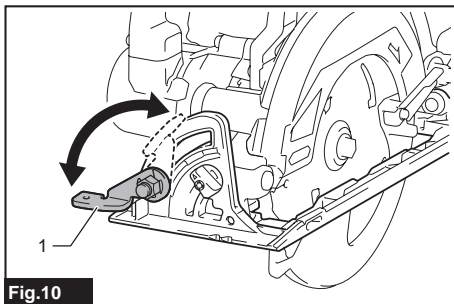


Fig.10

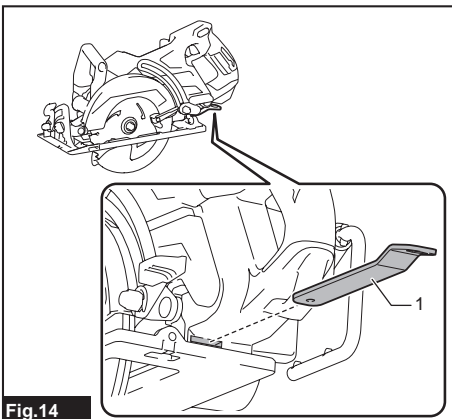


Fig.14

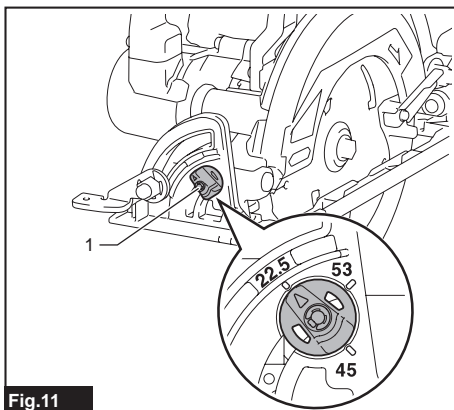


Fig.11

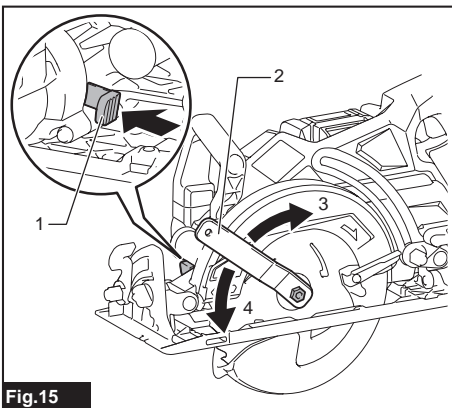


Fig.15

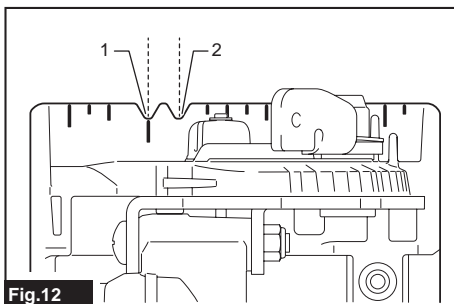


Fig.12

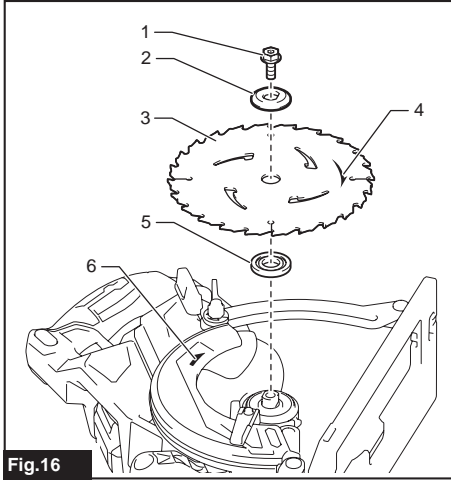


Fig.16

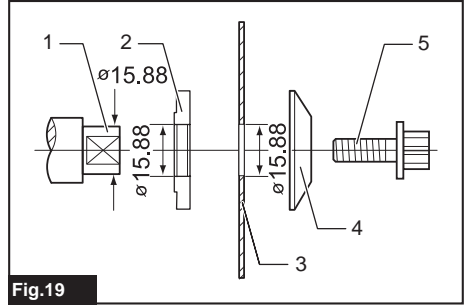


Fig.19

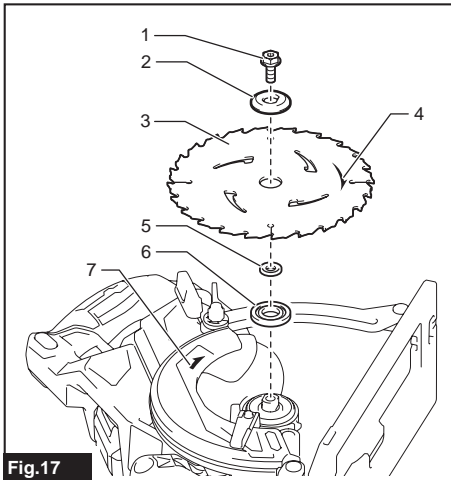


Fig.17

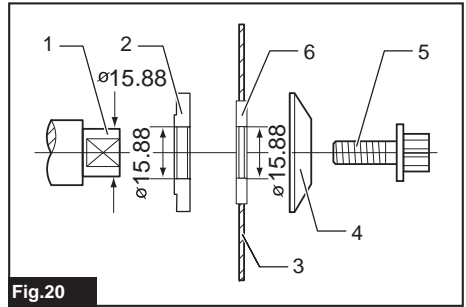


Fig.20

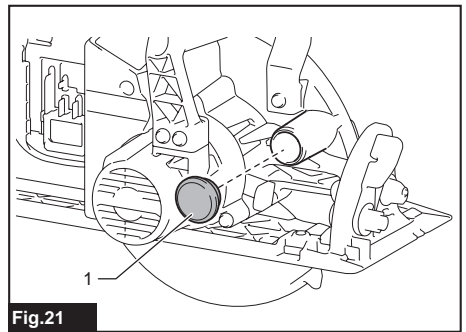


Fig.21

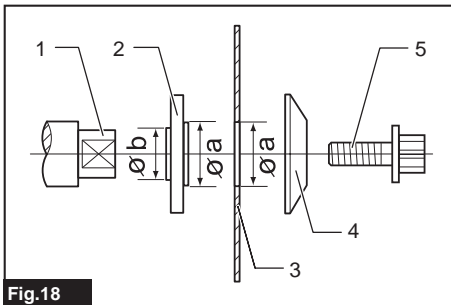


Fig.18

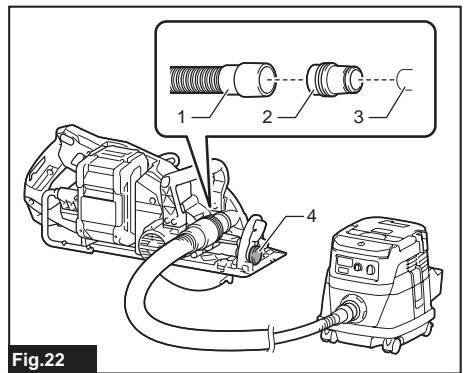


Fig.22

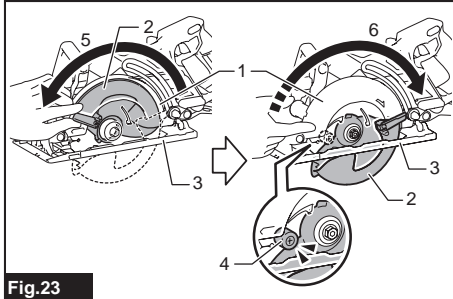


Fig.23

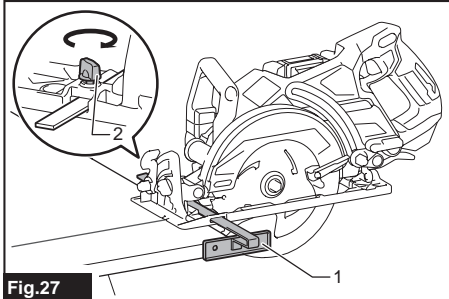


Fig.27

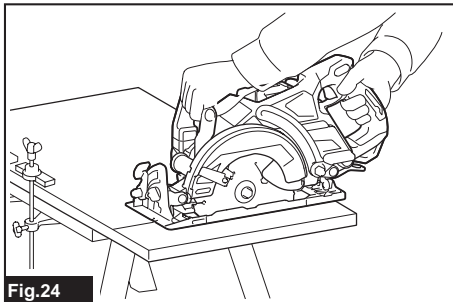


Fig.24

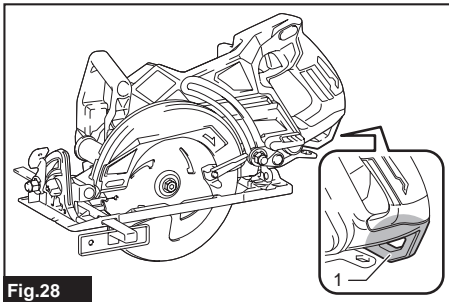


Fig.28

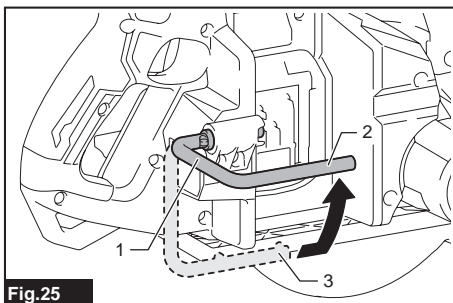


Fig.25

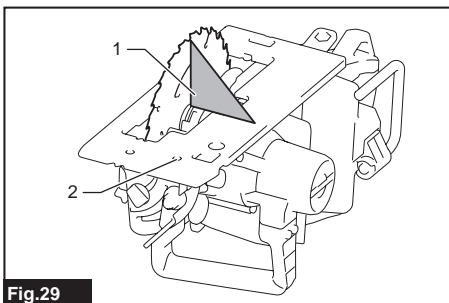


Fig.29

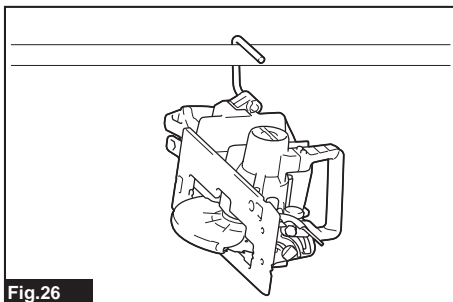


Fig.26

SPECIFICATIONS

Model:		RS001G
Blade diameter		185 mm
Max. Cutting depth	at 0°	65 mm
	at 45° bevel	45 mm
	at 53° bevel	38 mm
No load speed		6,400 min ⁻¹
Overall length		446 mm
Rated voltage		D.C. 36 V - 40 V max
Net weight		5.0 - 5.6 kg

- Due to our continuing program of research and development, the specifications herein are subject to change without notice.
- Specifications may differ from country to country.
- The weight may differ depending on the attachment(s), including the battery cartridge. The lightest and heaviest combination, according to EPTA-Procedure 01/2014, are shown in the table.

Applicable battery cartridge and charger

Battery cartridge	BL4025 / BL4040* / BL4050F* * : Recommended battery
Charger	DC40RA / DC40RB / DC40RC

- Some of the battery cartridges and chargers listed above may not be available depending on your region of residence.

⚠ WARNING: Only use the battery cartridges and chargers listed above. Use of any other battery cartridges and chargers may cause injury and/or fire.

Intended use

The tool is intended for performing lengthways and crossways straight cuts and miter cuts with angles in wood while in firm contact with the workpiece.

Noise

The typical A-weighted noise level determined according to EN62841-2-5:

Sound pressure level (L_{pA}) : 92 dB(A)

Sound power level (L_{WA}) : 103 dB (A)

Uncertainty (K) : 3 dB(A)

NOTE: The declared noise emission value(s) has been measured in accordance with a standard test method and may be used for comparing one tool with another.

NOTE: The declared noise emission value(s) may also be used in a preliminary assessment of exposure.

⚠ WARNING: Wear ear protection.

⚠ WARNING: The noise emission during actual use of the power tool can differ from the declared value(s) depending on the ways in which the tool is used especially what kind of workpiece is processed.

⚠ WARNING: Be sure to identify safety measures to protect the operator that are based on an estimation of exposure in the actual conditions of use (taking account of all parts of the operating cycle such as the times when the tool is switched off and when it is running idle in addition to the trigger time).

Vibration

The vibration total value (tri-axial vector sum) determined according to EN62841-2-5:

Work mode: cutting wood

Vibration emission ($a_{h,w}$) : 2.5 m/s² or less

Uncertainty (K) : 1.5 m/s²

NOTE: The declared vibration total value(s) has been measured in accordance with a standard test method and may be used for comparing one tool with another.

NOTE: The declared vibration total value(s) may also be used in a preliminary assessment of exposure.

⚠️ WARNING: The vibration emission during actual use of the power tool can differ from the declared value(s) depending on the ways in which the tool is used especially what kind of workpiece is processed.

⚠️ WARNING: Be sure to identify safety measures to protect the operator that are based on an estimation of exposure in the actual conditions of use (taking account of all parts of the operating cycle such as the times when the tool is switched off and when it is running idle in addition to the trigger time).

EC Declaration of Conformity

For European countries only

The EC declaration of conformity is included as Annex A to this instruction manual.

SAFETY WARNINGS

General power tool safety warnings

⚠️ WARNING: Read all safety warnings, instructions, illustrations and specifications provided with this power tool. Failure to follow all instructions listed below may result in electric shock, fire and/or serious injury.

Save all warnings and instructions for future reference.

The term "power tool" in the warnings refers to your mains-operated (corded) power tool or battery-operated (cordless) power tool.

Cordless circular saw safety warnings

Cutting procedures

- ⚠️ DANGER:** Keep hands away from cutting area and the blade. Keep your second hand on auxiliary handle, or motor housing. If both hands are holding the saw, they cannot be cut by the blade.
- Do not reach underneath the workpiece.** The guard cannot protect you from the blade below the workpiece.
- Adjust the cutting depth to the thickness of the workpiece.** Less than a full tooth of the blade teeth should be visible below the workpiece.
- Never hold the workpiece in your hands or across your leg while cutting. Secure the workpiece to a stable platform.** It is important to support the work properly to minimise body exposure, blade binding, or loss of control.

► Fig.1

- Hold the power tool by insulated gripping surfaces, when performing an operation where the cutting tool may contact hidden wiring.** Contact with a "live" wire will also make exposed metal parts of the power tool "live" and could give the operator an electric shock.
- When ripping, always use a rip fence or straight edge guide.** This improves the accuracy of cut and reduces the chance of blade binding.

- Always use blades with correct size and shape (diamond versus round) of arbour holes.** Blades that do not match the mounting hardware of the saw will run off-centre, causing loss of control.
- Never use damaged or incorrect blade washers or bolt.** The blade washers and bolt were specially designed for your saw, for optimum performance and safety of operation.

Kickback causes and related warnings

- kickback is a sudden reaction to a pinched, jammed or misaligned saw blade, causing an uncontrolled saw to lift up and out of the workpiece toward the operator;
- when the blade is pinched or jammed tightly by the kerf closing down, the blade stalls and the motor reaction drives the unit rapidly back toward the operator;
- if the blade becomes twisted or misaligned in the cut, the teeth at the back edge of the blade can dig into the top surface of the wood causing the blade to climb out of the kerf and jump back toward the operator.

Kickback is the result of saw misuse and/or incorrect operating procedures or conditions and can be avoided by taking proper precautions as given below.

- Maintain a firm grip with both hands on the saw and position your arms to resist kickback forces. Position your body to either side of the blade, but not in line with the blade.** Kickback could cause the saw to jump backwards, but kickback forces can be controlled by the operator, if proper precautions are taken.
- When blade is binding, or when interrupting a cut for any reason, release the trigger and hold the saw motionless in the material until the blade comes to a complete stop. Never attempt to remove the saw from the work or pull the saw backward while the blade is in motion or kickback may occur.** Investigate and take corrective actions to eliminate the cause of blade binding.
- When restarting a saw in the workpiece, centre the saw blade in the kerf so that the saw teeth are not engaged into the material.** If a saw blade binds, it may walk up or kickback from the workpiece as the saw is restarted.
- Support large panels to minimise the risk of blade pinching and kickback.** Large panels tend to sag under their own weight. Supports must be placed under the panel on both sides, near the line of cut and near the edge of the panel.

► Fig.2

► Fig.3

- Do not use dull or damaged blades.** Unsharpened or improperly set blades produce narrow kerf causing excessive friction, blade binding and kickback.
- Blade depth and bevel adjusting locking levers must be tight and secure before making the cut.** If blade adjustment shifts while cutting, it may cause binding and kickback.
- Use extra caution when sawing into existing walls or other blind areas.** The protruding blade may cut objects that can cause kickback.
- ALWAYS hold the tool firmly with both hands. NEVER place your hand, leg or any part of your body under the tool base or behind the saw, especially when making cross-cuts.** If kickback occurs, the saw could easily jump backwards over your hand, leading to serious personal injury.

► Fig.4

9. **Never force the saw. Push the saw forward at a speed so that the blade cuts without slowing.** Forcing the saw can cause uneven cuts, loss of accuracy, and possible kickback.

Lower guard function

1. **Check the lower guard for proper closing before each use. Do not operate the saw if the lower guard does not move freely and close instantly. Never clamp or tie the lower guard into the open position.** If the saw is accidentally dropped, the lower guard may be bent. Raise the lower guard with the retracting handle and make sure it moves freely and does not touch the blade or any other part, in all angles and depths of cut.
2. **Check the operation of the lower guard spring. If the guard and the spring are not operating properly, they must be serviced before use.** Lower guard may operate sluggishly due to damaged parts, gummy deposits, or a build-up of debris.
3. **The lower guard may be retracted manually only for special cuts such as "plunge cuts" and "compound cuts". Raise the lower guard by the retracting handle and as soon as the blade enters the material, the lower guard must be released.** For all other sawing, the lower guard should operate automatically.
4. **Always observe that the lower guard is covering the blade before placing the saw down on bench or floor.** An unprotected, coasting blade will cause the saw to walk backwards, cutting whatever is in its path. Be aware of the time it takes for the blade to stop after switch is released.
5. **To check lower guard, open lower guard by hand, then release and watch guard closure. Also check to see that retracting handle does not touch tool housing.** Leaving blade exposed is VERY DANGEROUS and can lead to serious personal injury.

Additional safety warnings

1. **Use extra caution when cutting damp wood, pressure treated lumber, or wood containing knots.** Maintain smooth advancement of tool without decrease in blade speed to avoid overheating the blade tips.
2. **Do not attempt to remove cut material when blade is moving. Wait until blade stops before grasping cut material.** Blades coast after turn off.
3. **Avoid cutting nails. Inspect for and remove all nails from lumber before cutting.**
4. **Place the wider portion of the saw base on that part of the workpiece which is solidly supported, not on the section that will fall off when the cut is made. If the workpiece is short or small, clamp it down. DO NOT TRY TO HOLD SHORT PIECES BY HAND!**

► Fig.5

5. **Before setting the tool down after completing a cut, be sure that the guard has closed and the blade has come to a complete stop.**
6. **Never attempt to saw with the circular saw held upside down in a vise. This is extremely dangerous and can lead to serious accidents.**

► Fig.6

7. **Some materials contain chemicals which may be toxic. Take caution to prevent dust inhalation and skin contact. Follow material supplier safety data.**
8. **Do not stop the blades by lateral pressure on the saw blade.**
9. **Do not use any abrasive wheels.**
10. **Only use the saw blade with the diameter that is marked on the tool or specified in the manual.** Use of an incorrectly sized blade may affect the proper guarding of the blade or guard operation which could result in serious personal injury.
11. **Keep blade sharp and clean.** Gum and wood pitch hardened on blades slows saw and increases potential for kickback. Keep blade clean by first removing it from tool, then cleaning it with gum and pitch remover, hot water or kerosene. Never use gasoline.
12. **Wear a dust mask and hearing protection when use the tool.**
13. **Always use the saw blade intended for cutting the material that you are going to cut.**
14. **Only use the saw blades that are marked with a speed equal or higher than the speed marked on the tool.**
15. **(For European countries only)**
Always use the blade which conforms to EN847-1.
16. **Place the tool and the parts on a flat and stable surface.** Otherwise the tool or the parts may fall and cause an injury.

SAVE THESE INSTRUCTIONS.

⚠ WARNING: DO NOT let comfort or familiarity with product (gained from repeated use) replace strict adherence to safety rules for the subject product. MISUSE or failure to follow the safety rules stated in this instruction manual may cause serious personal injury.

Important safety instructions for battery cartridge

1. **Before using battery cartridge, read all instructions and cautionary markings on (1) battery charger, (2) battery, and (3) product using battery.**
2. **Do not disassemble or tamper the battery cartridge.** It may result in a fire, excessive heat, or explosion.
3. **If operating time has become excessively shorter, stop operating immediately.** It may result in a risk of overheating, possible burns and even an explosion.
4. **If electrolyte gets into your eyes, rinse them out with clear water and seek medical attention right away.** It may result in loss of your eyesight.
5. **Do not short the battery cartridge:**
 - (1) **Do not touch the terminals with any conductive material.**
 - (2) **Avoid storing battery cartridge in a container with other metal objects such as nails, coins, etc.**
 - (3) **Do not expose battery cartridge to water or rain.**

A battery short can cause a large current flow, overheating, possible burns and even a breakdown.

6. Do not store and use the tool and battery cartridge in locations where the temperature may reach or exceed 50 °C (122 °F).
7. Do not incinerate the battery cartridge even if it is severely damaged or is completely worn out. The battery cartridge can explode in a fire.
8. Do not nail, cut, crush, throw, drop the battery cartridge, or hit against a hard object to the battery cartridge. Such conduct may result in a fire, excessive heat, or explosion.
9. Do not use a damaged battery.
10. The contained lithium-ion batteries are subject to the Dangerous Goods Legislation requirements.

For commercial transports e.g. by third parties, forwarding agents, special requirement on packaging and labeling must be observed.

For preparation of the item being shipped, consulting an expert for hazardous material is required. Please also observe possibly more detailed national regulations.

Tape or mask off open contacts and pack up the battery in such a manner that it cannot move around in the packaging.

11. When disposing the battery cartridge, remove it from the tool and dispose of it in a safe place. Follow your local regulations relating to disposal of battery.
12. Use the batteries only with the products specified by Makita. Installing the batteries to non-compliant products may result in a fire, excessive heat, explosion, or leak of electrolyte.
13. If the tool is not used for a long period of time, the battery must be removed from the tool.
14. During and after use, the battery cartridge may take on heat which can cause burns or low temperature burns. Pay attention to the handling of hot battery cartridges.
15. Do not touch the terminal of the tool immediately after use as it may get hot enough to cause burns.
16. Do not allow chips, dust, or soil stuck into the terminals, holes, and grooves of the battery cartridge. It may result in poor performance or breakdown of the tool or battery cartridge.
17. Unless the tool supports the use near high-voltage electrical power lines, do not use the battery cartridge near a high-voltage electrical power lines. It may result in a malfunction or breakdown of the tool or battery cartridge.
18. Keep the battery away from children.

SAVE THESE INSTRUCTIONS.

CAUTION: Only use genuine Makita batteries. Use of non-genuine Makita batteries, or batteries that have been altered, may result in the battery bursting causing fires, personal injury and damage. It will also void the Makita warranty for the Makita tool and charger.

Tips for maintaining maximum battery life

1. Charge the battery cartridge before completely discharged. Always stop tool operation and charge the battery cartridge when you notice less tool power.
2. Never recharge a fully charged battery cartridge. Overcharging shortens the battery service life.
3. Charge the battery cartridge with room temperature at 10 °C - 40 °C (50 °F - 104 °F). Let a hot battery cartridge cool down before charging it.
4. When not using the battery cartridge, remove it from the tool or the charger.
5. Charge the battery cartridge if you do not use it for a long period (more than six months).

FUNCTIONAL DESCRIPTION

CAUTION: Always be sure that the tool is switched off and the battery cartridge is removed before adjusting or checking function on the tool.

Installing or removing battery cartridge

CAUTION: Always switch off the tool before installing or removing of the battery cartridge.

CAUTION: Hold the tool and the battery cartridge firmly when installing or removing battery cartridge. Failure to hold the tool and the battery cartridge firmly may cause them to slip off your hands and result in damage to the tool and battery cartridge and a personal injury.

CAUTION: Do not use the battery adapter with the circular saw. The cable of the battery adapter may hinder the operation and result in personal injury.

► Fig.7: 1. Red indicator 2. Button 3. Battery cartridge

To remove the battery cartridge, slide it from the tool while sliding the button on the front of the cartridge.

To install the battery cartridge, align the tongue on the battery cartridge with the groove in the housing and slip it into place. Insert it all the way until it locks in place with a little click. If you can see the red indicator on the upper side of the button, it is not locked completely.

CAUTION: Always install the battery cartridge fully until the red indicator cannot be seen. If not, it may accidentally fall out of the tool, causing injury to you or someone around you.

CAUTION: Do not install the battery cartridge forcibly. If the cartridge does not slide in easily, it is not being inserted correctly.

Tool / battery protection system

The tool is equipped with a tool/battery protection system. This system automatically cuts off power to the motor to extend tool and battery life. The tool will automatically stop during operation if the tool or battery is placed under one of the following conditions.

Overload protection

When the tool/battery is operated in a manner that causes it to draw an abnormally high current, the tool automatically stops. In this situation, turn the tool off and stop the application that caused the tool to become overloaded. Then turn the tool on to restart.

Overheat protection

When the tool/battery is overheated, the tool stops automatically. In this situation, let the tool cool down before turning the tool on again.

Overdischarge protection

When the battery capacity becomes low, the tool stops automatically. If the product does not operate even when the switches are operated, remove the batteries from the tool and charge the batteries.

Indicating the remaining battery capacity

Press the check button on the battery cartridge to indicate the remaining battery capacity. The indicator lamps light up for a few seconds.

► Fig.8: 1. Indicator lamps 2. Check button

Indicator lamps			Remaining capacity
Lighted	Off	Blinking	
■	□	◐	75% to 100%
■ ■ ■ ■			
■ ■ ■ □			50% to 75%
■ ■ □ □			25% to 50%
■ □ □ □			0% to 25%
◐ □ □ □			Charge the battery.
■ ■ □ □	↑ ↓	□ □ ■ ■	The battery may have malfunctioned.

NOTE: Depending on the conditions of use and the ambient temperature, the indication may differ slightly from the actual capacity.

NOTE: The first (far left) indicator lamp will blink when the battery protection system works.

Automatic speed change function

This tool has "high speed mode" and "high torque mode". The tool automatically changes the operation mode depending on the work load. When the work load is low, the tool will run in the "high speed mode" for quicker cutting operation. When the work load is high, the tool will run in the "high torque mode" for powerful cutting operation.

Adjusting depth of cut

CAUTION: After adjusting the depth of cut, always tighten the lever securely.

Loosen the lever on the depth guide and move the base up or down. At the desired depth of cut, secure the base by tightening the lever. For cleaner, safer cuts, set cut depth so that no more than one blade tooth projects below workpiece. Using proper cut depth helps to reduce potential for dangerous KICKBACKS which can cause personal injury.

► Fig.9: 1. Lever

Bevel cutting

CAUTION: After adjusting the bevel angle, always tighten the lever securely.

Loosen the lever and set for the desired angle by tilting accordingly, then tighten the lever securely.

► Fig.10: 1. Lever

Positive stopper

The positive stopper is useful for setting the designated angle quickly. Turn the positive stopper so that the arrow on it points your desired bevel angle (around 22.5°/45°/53°). Loosen the lever and then tilt the tool base until it stops. The position where the tool base stops is the angle you set with the positive stopper. Tighten the lever with the tool base at this position.

► Fig.11: 1. Positive stopper

Sighting

For straight cuts, align the 0° position on the front of the base with your cutting line. For 45° bevel cuts, align the 45° position with it.

► Fig.12: 1. Cutting line (0° position) 2. Cutting line (45° position)

Switch action

WARNING: Before installing the battery cartridge into the tool, always check to see that the switch trigger actuates properly and returns to the "OFF" position when released.

WARNING: NEVER defeat the lock-off button by taping down or some other means. A switch with a negated lock-off button may result in unintentional operation and serious personal injury.

WARNING: NEVER use the tool if it runs when you simply pull the switch trigger without pressing the lock-off button. A switch in need of repair may result in unintentional operation and serious personal injury. Return tool to a Makita service center for proper repairs BEFORE further usage.

CAUTION: The tool starts to brake the circular saw blade rotation immediately after you release the switch trigger. Hold the tool firmly to respond the reaction of the brake when releasing the switch trigger. Sudden reaction can drop the tool off your hand and can cause a personal injury.

To prevent the switch trigger from being accidentally pulled, a lock-off button is provided. To start the tool, depress the lock-off button and pull the switch trigger. Release the switch trigger to stop.

► **Fig.13:** 1. Switch trigger 2. Lock-off button

NOTICE: Do not pull the switch trigger hard without pressing in the lock-off button. This can cause switch breakage.

Electric brake

This tool is equipped with an electric blade brake. If the tool consistently fails to quickly stop the circular saw blade after switch lever release, have tool serviced at a Makita service center.

CAUTION: The blade brake system is not a substitute for blade guard. NEVER USE TOOL WITHOUT A FUNCTIONING BLADE GUARD. SERIOUS PERSONAL INJURY CAN RESULT.

Electronic function

The tools equipped with electronic function are easy to operate because of the following feature(s).

Soft start feature

Soft start because of suppressed starting shock.

ASSEMBLY

CAUTION: Always be sure that the tool is switched off and the battery cartridge is removed before carrying out any work on the tool.

Offset wrench storage

When not in use, store the offset wrench as shown in the figure to keep it from being lost.

► **Fig.14:** 1. Offset wrench

Removing or installing circular saw blade

CAUTION: Be sure the circular saw blade is installed with teeth pointing up at the front of the tool.

CAUTION: Use only the Makita offset wrench to install or remove the circular saw blade.

To remove the circular saw blade, press the shaft lock fully so that the circular saw blade cannot revolve and use the offset wrench to loosen the hex bolt. Then remove the hex bolt, outer flange, circular saw blade and ring (country specific).

► **Fig.15:** 1. Shaft lock 2. Offset wrench 3. Loosen 4. Tighten

For tool without the ring

► **Fig.16:** 1. Hex bolt 2. Outer flange 3. Circular saw blade 4. Arrow on the circular saw blade 5. Inner flange 6. Arrow on the tool

For tool with the ring

► **Fig.17:** 1. Hex bolt 2. Outer flange 3. Circular saw blade 4. Arrow on the circular saw blade 5. Ring 6. Inner flange 7. Arrow on the tool

To install the circular saw blade, follow the removal procedure in reverse.

Align the direction of the arrow on the circular saw blade with the arrow on the tool.

For tool with the inner flange for other than 15.88 mm hole-diameter saw blade

The inner flange has a certain diameter protrusion on one side of it and a different diameter protrusion on the other side. Choose a correct side on which protrusion fits into the circular saw blade hole perfectly. Mount the inner flange onto the mounting shaft so that the correct side of protrusion on the inner flange faces outward and then place the circular saw blade and outer flange.

► **Fig.18:** 1. Mounting shaft 2. Inner flange 3. Circular saw blade 4. Outer flange 5. Hex bolt

WARNING: BE SURE TO TIGHTEN THE HEX BOLT COUNTERCLOCKWISE SECURELY. Also be careful not to tighten the bolt forcibly. Slipping your hand from the hex wrench can cause a personal injury.

WARNING: Make sure that the protrusion "a" on the inner flange that is positioned outside fits into the saw blade hole "a" perfectly. Mounting the circular saw blade on the wrong side can result in the dangerous vibration.

For tool with the inner flange for a 15.88 mm hole-diameter saw blade (country specific)

Mount the inner flange with its recessed side facing outward onto the mounting shaft and then place circular saw blade (with the ring attached if needed), outer flange and hex bolt.

For tool without the ring

► **Fig.19:** 1. Mounting shaft 2. Inner flange 3. Circular saw blade 4. Outer flange 5. Hex bolt

For tool with the ring

► **Fig.20:** 1. Mounting shaft 2. Inner flange 3. Circular saw blade 4. Outer flange 5. Hex bolt 6. Ring

▲WARNING: BE SURE TO TIGHTEN THE HEX BOLT COUNTERCLOCKWISE SECURELY. Also be careful not to tighten the bolt forcibly. Slipping your hand from the hex wrench can cause a personal injury.

▲WARNING: If the ring is needed to mount the circular saw blade onto the spindle, always be sure that the correct ring for the blade's arbor hole you intend to use is installed between the inner and the outer flanges. Use of the incorrect arbor hole ring may result in the improper mounting of the circular saw blade causing blade movement and severe vibration resulting in possible loss of control during operation and in serious personal injury.

Blade guard cleaning

When changing the circular saw blade, make sure to also clean the upper and lower blade guards of accumulated sawdust as discussed in the Maintenance section. Such efforts do not replace the need to check lower guard operation before each use.

Connecting a vacuum cleaner

Optional accessory

NOTE: To prevent the rubber cap from being lost, store it on the front of the tool.

NOTE: When not using the vacuum cleaner, attach the rubber cap onto the dust nozzle.

Remove the rubber cap from the dust nozzle and connect the vacuum cleaner's hose.

► **Fig.21:** 1. Rubber cap

When you wish to perform clean cutting operation, connect a Makita vacuum cleaner to your tool. Connect a hose of the vacuum cleaner to the dust nozzle using the front cuff 24.

► **Fig.22:** 1. Hose of the vacuum cleaner 2. Front cuff 24 3. Dust nozzle 4. Rubber cap

OPERATION

This tool is intended to cut wood products only. Refer to our website or contact your local Makita dealer for the correct circular saw blades to be used for the material to be cut.

Checking blade guard function

Set the bevel angle to 0°, and then retract the lower guard manually to the end and release it. The lower guard is properly functioning if;

- it is retracted above the base without any hindrance and;
- it automatically returns and contacts with the stopper.

► **Fig.23:** 1. Upper guard 2. Lower guard 3. Base 4. Stopper 5. Open 6. Close

If the lower guard is not functioning properly, check if saw dust is accumulated inside of the upper and lower guards. If the lower guard is not functioning properly even after removing dust, have your tool serviced at a Makita service center.

▲CAUTION: Wear dust mask when performing cutting operation.

▲CAUTION: Be sure to move the tool forward in a straight line gently. Forcing or twisting the tool will result in overheating the motor and dangerous kickback, possibly causing severe injury.

NOTE: When the battery cartridge temperature is low, the tool may not work to its full capacity. At this time, for example, use the tool for a light-duty cut for a while until the battery cartridge warms up as high as room temperature. Then, the tool can work to its full capacity.

► **Fig.24**

Hold the tool firmly. The tool is provided with both a front grip and rear handle. Use both to best grasp the tool. If both hands are holding saw, they cannot be cut by the circular saw blade. Set the base on the workpiece to be cut without the circular saw blade making any contact. Then turn the tool on and wait until the circular saw blade attains full speed. Now simply move the tool forward over the workpiece surface, keeping it flat and advancing smoothly until the sawing is completed.

To get clean cuts, keep your sawing line straight and your speed of advance uniform. If the cut fails to properly follow your intended cut line, do not attempt to turn or force the tool back to the cut line. Doing so may bind the circular saw blade and lead to dangerous kickback and possible serious injury. Release switch, wait for circular saw blade to stop and then withdraw tool. Realign tool on new cut line, and start cut again. Attempt to avoid positioning which exposes operator to chips and wood dust being ejected from saw. Use eye protection to help avoid injury.

Hook

▲CAUTION: Always remove the battery when hanging the tool with the hook.

▲CAUTION: Never hook the tool at high locations or on the surfaces where the tool may lose the balance and fall. Otherwise falling accident may occur and cause serious injury.

▲CAUTION: Do not pull the tool downward when it is hooked.

▲CAUTION: Use the hanging/mounting parts for their intended purposes only. Using for unintended purpose may cause accident or personal injury.

The hook is convenient for hanging the tool temporarily. To use the hook, simply lift up hook until it snaps into the open position.

When not in use, always lower hook until it snaps into the closed position.

► **Fig.25:** 1. Hook 2. Open position 3. Closed position

► **Fig.26**

Rip fence (Guide rule)

Optional accessory

The handy rip fence allows you to do extra-accurate straight cuts. Simply slide the rip fence up snugly against the side of the workpiece and secure it in position with the clamping screw on the front of the base. It also makes repeated cuts of uniform width possible.

► **Fig.27:** 1. Rip fence (Guide rule) 2. Clamping screw

Lanyard (tether strap) connection

▲ Safety warnings specific for use at height

Read all safety warnings and instructions. Failure to follow the warnings and instructions may result in serious injury.

1. **Always keep the tool tethered when working "at height". Maximum lanyard length is 2 m (6.5 ft).**
The maximum permissible fall height for lanyard (tether strap) must not exceed 2 m (6.5 ft).
2. **Use only with lanyards appropriate for this tool type and rated for at least 7.0 kg (15.4 lbs).**
3. **Do not anchor the tool lanyard to anything on your body or on movable components. Anchor the tool lanyard to a rigid structure that can withstand the forces of a dropped tool.**
4. **Make sure the lanyard is properly secured at each end prior to use.**
5. **Inspect the tool and lanyard before each use for damage and proper function (including fabric and stitching). Do not use if damaged or not functioning properly.**
6. **Do not wrap lanyards around or allow them to come in contact with sharp or rough edges.**
7. **Fasten the other end of the lanyard outside the working area so that a falling tool is held securely.**
8. **Attach the lanyard so that the tool will move away from the operator if it falls.** Dropped tools will swing on the lanyard, which could cause injury or loss of balance.
9. **Do not use near moving parts or running machinery.** Failure to do so may result in a crush or entanglement hazard.
10. **Do not carry the tool by the attachment device or the lanyard.**
11. **Only transfer the tool between your hands while you are properly balanced.**
12. **Do not attach lanyards to the tool in a way that keeps guards, switches or lock-offs from operating properly.**
13. **Avoid getting tangled in the lanyard.**
14. **Keep lanyard away from the cutting area of the tool.**
15. **Use multi-action and screw gate type carabineers. Do not use single action spring clip carabineers.**
16. **In the event the tool is dropped, it must be tagged and removed from service, and should be inspected by a Makita Factory or Authorized Service Center.**

► **Fig.28:** 1. Hole for lanyard (tether strap)

MAINTENANCE

▲ **CAUTION:** Always be sure that the tool is switched off and the battery cartridge is removed before attempting to perform inspection or maintenance.

▲ **CAUTION:** Clean out the upper and lower guards to ensure there is no accumulated sawdust which may impede the operation of the lower guarding system. A dirty guarding system may limit the proper operation which could result in serious personal injury. The most effective way to accomplish this cleaning is with compressed air. **If the dust is being blown out of the guards, be sure the proper eye and breathing protection is used.**

▲ **CAUTION:** After each use, wipe off the saw dust on the tool. Fine saw dust may come inside the tool and cause malfunction or a fire.

NOTICE: Never use gasoline, benzene, thinner, alcohol or the like. Discoloration, deformation or cracks may result.

To maintain product SAFETY and RELIABILITY, repairs, any other maintenance or adjustment should be performed by Makita Authorized or Factory Service Centers, always using Makita replacement parts.

Adjusting 0°-cut accuracy

This adjustment has been made at the factory. But if it is off, you can adjust it as the following procedure.

1. Slightly loosen the lever on the bevel scale plate.
 2. Make the base perpendicular to the blade using a triangular rule or square rule by turning the adjusting screw.
- **Fig.29:** 1. Triangular rule 2. Adjusting screw
3. Tighten the lever and then make a test cut to check the verticalness.

OPTIONAL ACCESSORIES

▲ **CAUTION:** These accessories or attachments are recommended for use with your Makita tool specified in this manual. The use of any other accessories or attachments might present a risk of injury to persons. Only use accessory or attachment for its stated purpose.

If you need any assistance for more details regarding these accessories, ask your local Makita Service Center.

- Circular saw blade
- Offset wrench
- Rip fence (Guide rule)
- Front cuff 24
- Makita genuine battery and charger

NOTE: Some items in the list may be included in the tool package as standard accessories. They may differ from country to country.

SPECIFIKATIONER

Modell:	RS001G	
Klingans diameter	185 mm	
Max. sågdjup	vid 0°	65 mm
	vid 45° vinkel	45 mm
	vid 53° vinkel	38 mm
Hastighet utan belastning	6 400 min ⁻¹	
Total längd	446 mm	
Märkspänning	36 V - 40 V likström max	
Nettovikt	5,0 - 5,6 kg	

- På grund av vårt pågående program för forskning och utveckling kan dessa specifikationer ändras utan föregående meddelande.
- Specifikationer kan variera mellan olika länder.
- Vikten kan variera beroende på tillbehören, inklusive batterikassett. Den lättaste och den tyngsta kombinationen enligt EPTA-procedur 01/2014 visas i tabellen.

Tillgänglig batterikassett och laddare

Batterikassett	BL4025 / BL4040* / BL4050F* * : Rekommenderat batteri
Laddare	DC40RA / DC40RB / DC40RC

- Vissa av batterikassetterna och laddarna på listan ovan kanske inte finns tillgängliga i din region.

⚠ VARNING: Använd endast batterikassetter och laddare från listan ovan. Användning av andra batterikassetter och laddare kan orsaka personskada och/eller brand.

Avsedd användning

Verktyget är avsett för att utföra raka snitt längs och tvärs arbetsstycken i trä samt för vinkelsågning i trä med god kontakt med arbetsstycket.

Buller

Den normala bullernivån för A-belastning är bestämd enligt EN62841-2-5:

Ljudtrycksnivå (L_{pA}) : 92 dB (A)

Ljudeffektnivå (L_{WA}) : 103 dB (A)

Mättolerans (K): 3 dB (A)

OBS: Det deklarerade bullervärdet har uppmätts i enlighet med standardtestmetoden och kan användas för jämförandet av en maskin med en annan.

OBS: Det deklarerade bulleremissionsvärdet kan också användas i en preliminär bedömning av exponering för vibration.

⚠ VARNING: Använd hörselskydd.

⚠ VARNING: Bulleremissionen under faktisk användning av maskinen kan skilja sig från det deklarerade värdet, beroende på hur maskinen används och särskilt vilken typ av arbetsstycke som behandlas.

⚠ VARNING: Var noga med att identifiera säkerhetsåtgärder för att skydda användaren, vilka är grundade på en uppskattning av graden av exponering för vibrationer under de faktiska användningsförhållandena, (ta, förutom avtryckartiden, med alla delar av användarcykeln i beräkningen, som till exempel tiden då maskinen är avstängd och när den går på tomgång).

Vibration

Det totala vibrationsvärdet (treaxlad vektorsumma) bestämt enligt EN62841-2-5:

Arbetsläge: sågning i trä

Vibrationsemission ($a_{h,W}$) : 2,5 m/s² eller lägre

Mättolerans (K): 1,5 m/s²

OBS: Det deklarerade totala vibrationsvärdet har uppmätts i enlighet med standardtestmetoden och kan användas för jämförandet av en maskin med en annan.

OBS: Det deklarerade totala vibrationsvärdet kan också användas i en preliminär bedömning av exponering för vibration.

⚠ VARNING: Vibrationsemissionen under faktisk användning av maskinen kan skilja sig från det deklarerade värdet, beroende på hur maskinen används och särskilt vilken typ av arbetsstycke som behandlas.

⚠ VARNING: Var noga med att identifiera säkerhetsåtgärder för att skydda användaren, vilka är grundade på en uppskattning av graden av exponering för vibrationer under de faktiska användningsförhållandena, (ta, förutom avtryckartiden, med alla delar av användarcykeln i beräkningen, som till exempel tiden då maskinen är avstängd och när den går på tomgång).

EG-försäkran om överensstämmelse

Gäller endast inom EU

EG-försäkran om överensstämmelse inkluderas som bilaga A till denna bruksanvisning.

SÄKERHETSVARNINGAR

Allmänna säkerhetsvarningar för maskiner

⚠ VARNING: Läs alla säkerhetsvarningar, anvisningar, illustrationer och specifikationer som medföljer det här maskinen. Underlåtenhet att följa instruktionerna kan leda till elstötar, brand och/eller allvarliga personskador.

Spara alla varningar och instruktioner för framtida referens.

Termen "maskin" som anges i varningarna hänvisar till din eldrivna maskin (sladdansluten) eller batteridrivna maskin (sladdlös).

Säkerhetsvarningar för sladdlös cirkelsåg

Sågningsförfarande

- ⚠ FARA:** Håll alltid händerna borta från sågningsområdet. Håll den andra handen på det extra handtaget eller motorhuset. Om du håller i sågen med båda händerna kan de inte skadas av klingan.
 - Sträck dig inte in under arbetsstycket.** Skyddet har ingen skyddsfunktion under arbetsstycket.
 - Ställ in sågdjupet efter arbetsstyckets tjocklek.** Mindre än en hel sågtand får synas under arbetsstycket.
- Håll aldrig arbetsstycket i händerna eller i knäet vid kapning. Fäst arbetsstycket på ett stabilt underlag.** Det är viktigt att arbetsstycket stöds ordentligt för att minimera risken för skador, undvika att klingan fastnar eller att något oväntat inträffar.

► Fig.1

- Håll maskinen i de isolerade handtagen om det finns risk för att skärverktyget kan komma i kontakt med en dold elkabel.** Om skärverktyget kommer i kontakt med en strömförande ledning blir maskinens metalldelar strömförande och kan ge användaren en elektrisk stöt.
- Vid klyvsågning ska alltid ett parallell- eller sidoanslag användas.** Detta förbättrar noggrannheten vid sågningen och minskar risken för att klingan nyper fast.
- Använd alltid en sågklinga med rätt storlek och form (diamant respektive rund) på styrhålen.** Klingor som inte passar monteringsfästet i sågen löper ojämnt, vilket ger en okontrollerbar sågning.
- Använd aldrig en klingbricka eller bult som på något sätt är felaktig eller skadad.** Klingbrickorna och bulten är specialtillverkade till sågen för optimal prestanda och säkerhet.

Orsaker till bakåtkast och relaterade varningar

- Bakåtkast är en plötslig reaktion när ett sågblad kläms, fastnar eller är felinriktat och innebär att sågen kastas upp ur arbetsstycket.
 - Om klingan kläms eller fastnar och sågskäret därmed stoppas, driver motorkraften sågen mot användaren i hög hastighet.
 - Om klingan böjs eller blir felriktad i sågskäret kan sågtänderna på klingans bakkant gräva sig in på ytan av arbetsstycket, driva klingan ur skäret och kasta sågen bakåt mot användaren.
- Bakåtkast beror på ovarsamhet och/eller felaktiga arbetsrutiner och kan undvikas genom att vidta nedanstående förebyggande åtgärder.

- Håll sågen stadigt med båda händerna och placera armarna så att de kan ta emot kraften från ett bakåtkast. Stå vid sidan av klingan och aldrig i dess linje.** Vid ett bakåtkast kastas sågen bakåt, men kraften i bakåtkastet kan kontrolleras av användaren om rätt försiktighetsåtgärder vidtas.
- Om klingan kläms eller av annan orsak hindras i skäret ska du släppa avtryckaren och hålla sågen stilla i skäret tills klingan har stannat. För att undvika bakåtkast ska du aldrig försöka ta bort sågen från arbetsstycket eller dra sågen bakåt när klingan är i rörelse.** Undersök och åtgärda orsaken till att klingan fastnar.
- När sågen startas igen i arbetsstycket ska du centrera sågklingan i skäret och kontrollera att ingen sågtand är i ingrepp i materialet.** Om sågbladet sitter fast i materialet kan sågen klättra upp eller medföra bakåtkast när sågen startas på nytt.
- Stötta långa arbetsstycken för att minimera risken för att klingan nyper fast och ger bakåtkast.** Långa arbetsstycken böjs av sin egen tyngd. Placera stöd på båda sidorna, både nära såglinjen och vid kanten på arbetsstycket.

► Fig.2

► Fig.3

5. **Använd aldrig slöa eller skadade klingor.** En oskarp eller felinställd klinga ger ett trångt sågskär som orsakar onödigt friktion och klingan kan lättare fastna och ge bakåtkast.
6. **Klingdjup och nivåinställda låsspakar måste vara åtdragna och låsta innan sågning.** Om klingans justering skiftar under sågning kan det orsaka att den nyper fast och ger bakåtkast.
7. **Var extra uppmärksam vid sågning i väggar eller andra dolda utrymmen.** Den utskjutande klingan kan såga av föremål som kan orsaka bakåtkast.
8. **Håll ALLTID maskinen stadigt med båda händerna. Placera ALDRIG handen, benet eller någon annan kroppsdel under bottenplattan eller bakom sågen, i synnerhet vid tvärsågning.** Vid eventuella bakåtkast kan sågen lätt kastas bakåt mot handen och orsaka allvarliga skador.

► Fig.4

9. **Forcera aldrig sågen. Skjut sågen framåt med en sågningshastighet som låter klingan såga utan att tappa fart.** En såg som forceras ger ojämna skår, är svårare att styra och ger risk för bakåtkast.

Skyddets funktion

1. **Kontrollera att det nedre skyddet är stängt före varje sågning. Använd inte sågen om det nedre skyddet kärvar och inte stängs omedelbart. Kila aldrig fast eller bind det nedre skyddet i öppet läge.** Om du tappar sågen kan det nedre skyddet böjas. Hög det nedre skyddet med handtaget och se till att det rör sig fritt och inte vidrör klingan eller någon annan del under någon sågvinkel eller något sågdjup.
2. **Kontrollera funktionen hos det nedre skyddets fjäder. Om skyddet eller fjädern inte fungerar på avsett vis ska sågen underhållas innan den används.** Det nedre skyddet kan fungera ojämnt på grund av skadade delar, gummiavlagringar eller andra ansamlingar.
3. **Det nedre skyddet får endast dras tillbaka manuellt inför specialsågningar som "insticks-sågning" och "geringsågning".** Hög det nedre skyddet med hjälp av handtaget och släpp det nedre skyddet så snart klingan går in i materialet. Under alla andra typer av sågning ska det nedre skyddets automatiska funktion användas.
4. **Kontrollera alltid att det nedre skyddet täcker klingan innan du ställer ned sågen på ett arbetsbordet eller på golvet.** En oskyddad klinga som roterar medför att sågen vandrar bakåt och sågar i allt som kommer i dess väg. Tänk på att det tar en stund innan klingan stannar efter att du har släppt avtryckaren.
5. **Kontrollera det nedre skyddet genom att öppna det manuellt och sedan släppa det och observera skyddets stängning. Kontrollera även att handtaget inte vidrör verktygshuset.** Att lämna klingan oskyddad är MYCKET FARLIGT och kan leda till allvarliga personskador.

Ytterligare säkerhetsvarningar

1. **Var extra försiktig vid sågning i fuktigt, tryckbehandlat och kvistigt trä.** Bibehåll mjuk rörelse framåt med maskinen, utan att klingans hastighet minskar, för att undvika överhettning av klingspetsarna.
2. **Ta aldrig bort sågat material medan klingan rör sig. Vänta tills klingan har stannat innan du tar bort det sågade materialet.** Klingan stannar inte omedelbart när maskinen stängs av.
3. **Undvik att såga i spik. Kontrollera arbetssstycket och ta bort alla spikar innan du börjar såga.**
4. **Placera större delen av sågbordet på den del av arbetssstycket som har ett fast stöd och inte på den del som ska sågas bort. Kläm fast arbetssstycken som är små eller korta. FÖRSÖK INTE ATT HÅLLA SMÅ ARBETSSTYCKEN I HANDEN!**

► Fig.5

5. **Kontrollera att skyddet är stängt och att klingan har stannat innan du ställer ifrån dig sågen.**
6. **Använd aldrig cirkelsågen upp-och-nedvänd i ett skruvstäd. Det är extremt farligt och kan leda till allvarliga olyckor.**

► Fig.6

7. **Vissa material kan innehålla giftiga kemikalier. Se till att du inte andas in damm eller får det på huden. Följ anvisningarna i leverantörens materialsäkerhetsblad.**
8. **Försök inte stoppa klingorna genom att trycka på dem.**
9. **Använd inte några slipskivor.**
10. **Använd endast sågklingor med den diameter som finns markerad på maskinen eller angiven i handboken.** Om en klinga med fel storlek används kan det påverka skyddet för klingan eller skyddets funktion vilket kan resultera i allvarlig personskada.
11. **Håll klingan vass och ren.** Gummi- och trärester på klingan hindrar sågningen och ökar risken för bakåtkast. Ta bort klingan från sågen och gör rent den med ett borttagningsmedel för gummi- och trärester, varmt vatten och fotogen. Använd aldrig bensin.
12. **Använd alltid andningsmask och hörselskydd när du arbetar med verktyget.**
13. **Använd alltid ett sågblad som är avsett för att skära i det avsedda materialet.**
14. **Använd endast sågblad som är märkta med ett maximalt varvtal som är lika med eller högre än varvtalet som är märkt på maskinen.**
15. **(endast för länder i Europa)**
Använd alltid blad som överensstämmer med EN847-1.
16. **Placera verktyget och delarna på en platt och stabil yta. I annat fall kan verktyget eller dess delar falla och orsaka skador.**

SPARA DESSA ANVISNINGAR.

⚠️ VARNING: GLÖM INTE att också fortsättningsvis strikt följa säkerhetsanvisningarna för maskinen även efter att du blivit van att använda den. Vid FELAKTIG HANTERING av maskinen eller om inte säkerhetsanvisningarna i denna bruksanvisning följs kan följden bli allvarliga personsador.

Viktiga säkerhetsanvisningar för batterikassetten

1. Innan batterikassetten används ska alla instruktioner och varningsmärken på (1) batteriladdaren, (2) batteriet och (3) produkten läsas.
2. Montera inte isär eller mixtra med batterikassetten. Det kan leda till brand, överdriven värme eller explosion.
3. Om drifttiden blivit avsevärt kortare ska användningen avbrytas omedelbart. Det kan uppstå överhettning, brännskador och t o m en explosion.
4. Om du får elektrolyt i ögonen ska de sköljas med rent vatten och läkare uppsöks omedelbart. Det finns risk för att synen förloras.
5. Kortslut inte batterikassetten.
 - (1) Rör inte vid polerna med något strömförande material.
 - (2) Undvik att förvara batterikassetten tillsammans med andra metallobjekt som t.ex. spikar, mynt o.s.v.
 - (3) Skydda batteriet mot vatten och regn. En batterikortslutning kan orsaka ett stort strömlöde, överhettning, brand och maskinhaveri.
6. Förvara och använd inte verktyget och batterikassetten på platser där temperaturen kan nå eller överstiga 50 °C.
7. Bränn inte upp batterikassetten även om den är svårt skadad eller helt utsliten. Batterikassetten kan explodera i öppen eld.
8. Spika inte i, krossa, kasta, tappa eller slå batterikassetten mot hårda föremål. Dyliga handlingar kan leda till brand, överdriven värme eller explosion.
9. Använd inte ett skadat batteri.
10. De medföljande litiumjonbatterierna är föremål för kraven i gällande lagstiftning för farligt gods.

För kommersiella transporter (av t.ex. tredje parter som speditorsfirmor) måste de särskilda transportkrav som anges på emballaget och etiketter iakttas.

För att förbereda den produkt som ska avsändas krävs att du konsulterar en expert på riskmaterial. Var också uppmärksam på att det i ditt land kan finnas ytterligare föreskrifter att följa.

Tejpa över eller maskera blottade kontakter och packa batteriet på sådant sätt att det inte kan röra sig fritt i förpackningen.

11. När batterikassetten ska kasseras måste den tas bort från maskinen och kasseras på ett säkert sätt. Följ lokala föreskrifter beträffande avfallshantering av batteriet.
12. Använd endast batterierna med de produkter som specificerats av Makita. Att använda batterierna med ej godkända produkter kan leda till brand, överdriven värme, explosion eller utläckande elektrolyt.
13. Om maskinen inte används under en lång tid måste batteriet tas bort från maskinen.
14. Under och efter användning kan batterikassetten bli het vilket kan orsaka brännskador eller lättare brännskador. Var uppmärksam på hur du hanterar varma batterikassetter.
15. Vidrör inte verktygets kontakter direkt efter användning eftersom de kan bli heta och orsaka brännskador.
16. Låt inte flisor, damm eller smuts fastna i kontaktarna, i hål eller spår i batterikassetten. Det kan leda till dålig prestanda eller till att verktyget eller batterikassetten går sönder.
17. Såvida inte verktyget stöder arbeten i närheten av högspänningsledning får batterikassetten inte användas i närheten av en högspänningsledning. Det kan leda till att verktyget eller batterikassetten går sönder eller inte fungerar korrekt.
18. Förvara batteriet utom räckhåll för barn.

SPARA DESSA ANVISNINGAR.

⚠️ FÖRSIKTIGT: Använda endast äkta Makita-batterier. Användning av oäkta Makita-batterier eller batterier som har manipulerats kan leda till person- och utrustningsskador eller till att batteriet fattar eld. Det upphäver också Makitas garanti för verktyget och laddaren.

Tips för att uppnå batteriets maximala livslängd

1. Ladda batterikassetten innan den är helt urladdad. Stanna alltid maskinen och ladda batterikassetten när du märker att maskinen blir svagare.
2. Ladda aldrig en fulladdad batterikasset. Överladdning förkortar batteriets livslängd.
3. Ladda batterikassetten vid en rumstemperatur på 10 °C - 40 °C. Låt en varm batterikasset svalna innan den laddas.
4. När batterikassetten inte används ska den tas bort från verktyget eller laddaren.
5. Ladda batterikassetten om du inte har använt den på länge (mer än sex månader).

FUNKTIONSBESKRIVNING

⚠ FÖRSIKTIGT: Se alltid till att maskinen är avstängd och batterikassetten borttagen innan du justerar maskinen eller kontrollerar dess funktioner.

Montera eller demontera batterikassetten

⚠ FÖRSIKTIGT: Stäng alltid av maskinen innan du monterar eller tar bort batterikassetten.

⚠ FÖRSIKTIGT: Håll stadigt i maskinen och batterikassetten när du monterar eller tar bort batterikassetten. I annat fall kan det leda till att de glider ur dina händer och orsakar skada på maskinen och batterikassetten samt personskada.

⚠ FÖRSIKTIGT: Använd inte batteriadaptorn med cirkelsågen. Kabeln till batteriadaptorn kan hindra användningen och leda till personskada.

► **Fig.7:** 1. Röd indikator 2. Knapp 3. Batterikassetten

Ta bort batterikassetten genom att skjuta ner knappen på kassetten framsida samtidigt som du drar ut batterikassetten.

Sätt in batterikassetten genom att rikta in tungan på batterikassetten mot spåret i höljet och skjuta den på plats. Tryck in kassetten hela vägen tills den låser fast med ett klick. Om du kan se den röda indikatorn på knappens ovansida är den inte låst ordentligt.

⚠ FÖRSIKTIGT: Sätt alltid in batterikassetten helt tills den röda indikatorn inte längre syns. I annat fall kan den oövat falla ur verktyget och skada dig eller någon annan.

⚠ FÖRSIKTIGT: Montera inte batterikassetten med våld. Om kassetten inte lätt glider på plats är den felisatt.

Skyddssystem för maskinen/batteriet

Maskinen är utrustad med ett skyddssystem för maskinen-/batteriet. Detta system bryter automatiskt strömmen till motorn för att förlänga maskinens och batteriets livslängd. Maskinen stoppar automatiskt under användningen om maskinen eller batteriet hamnar i en av följande situationer. Indikatorerna tänds i vissa situationer.

Överbelastningsskydd

Om verktyget/batteriet används på ett sätt som gör att det drar normalt mycket ström kan verktyget stoppa automatiskt. När detta sker slänger du av verktyget och upphör med arbetet som gjorde att det överbelastades. Starta därefter upp verktyget igen.

Överhettningsskydd

När verktyget/batteriet överhettas stoppas verktyget automatiskt. I det läget låter du verktyget svalna innan du startar det igen.

Överurladdningsskydd

När batteriets kapacitet är låg stoppar maskinen automatiskt. Om produkten inte fungerar trots att knapparna fungerar som de ska tar du bort batterierna från maskinen och laddar dem.

Indikator kvarvarande batterikapacitet

Tryck på kontrollknappen på batterikassetten för att se kvarvarande batterikapacitet. Indikatorlamporna lyser i ett par sekunder.

► **Fig.8:** 1. Indikatorlampor 2. Kontrollknapp

Indikatorlampor			Kvarvarande kapacitet
Upplyst	Av	Blinkar	
■ ■ ■ ■			75% till 100%
■ ■ ■ □			50% till 75%
■ ■ □ □			25% till 50%
■ □ □ □			0% till 25%
■ □ □ □			Ladda batteriet.
■ ■ □ □			Batteriet kan ha skadats.
□ □ ■ ■			

OBS: Beroende på användningsförhållanden och den omgivande temperaturen kan indikationen skilja sig lätt från den faktiska batterikapaciteten.

OBS: Den första (längst till vänster) indikatorlamporna kommer att blinka när batteriskyddssystemet fungerar.

Funktion för automatisk ändring av hastighet

Maskinen har ett höghastighetsläge och ett läge för högt vridmoment.

Maskinen ändrar automatiskt driftläge beroende på arbetsbelastningen. När arbetsbelastningen är låg körs maskinen i "Höghastighetsläge" för snabbare kapning. När arbetsbelastningen är hög körs maskinen i "Läge för högt vridmoment" för kraftig kapning.

Justera sågdjupet

⚠ FÖRSIKTIGT: Dra alltid åt spaken ordentligt efter att sågdjupet justerats.

Lossa spaken på djupanslaget och flytta bottenplattan uppåt eller nedåt. Läs bottenplattan med spaken när du har ställt in önskat sågdjup.

Bästa sågresultat och säkraste sågning erhålls om sågdjupet ställs in så att endast en sågtand syns på arbetsstyckets undersida. Rätt inställning av sågdjup bidrar till att minska risken för farliga BAKÅTKAST, som kan orsaka allvarliga personskador.

► **Fig.9:** 1. Spärr

Vinkelsågning

⚠ FÖRSIKTIGT: Dra alltid åt spärren ordentligt efter justering av fasvinkel.

Lossa på spärren och ställ in önskad vinkel genom att luta maskinen i motsvarande mån och dra sedan åt spärren ordentligt.

► Fig.10: 1. Spärr

Lägesstopp

Lägesstoppet är användbart för att snabbt ställa in avsedd vinkel. Vrid lägesstoppet så att pilen på det pekar på önskad vinkel (omkring 22,5°/45°/53°). Lossa spärren och luta därefter verktygets basplatta tills den slutar. Positionen där verktygets basplatta slutar är den vinkel som du ställde in med lägesstoppet. Dra fast spärren med verktygets basplatta i denna position.

► Fig.11: 1. Lägesstopp

Inriktning

För rak sågning riktar du in läget för 0° fram till på bottenplattan mot såglinjen. För vinkelsågning med en vinkel på 45° riktar in den mot läget för 45°.

► Fig.12: 1. Såglinje (vid läget 0°) 2. Såglinje (vid läget 45°)

Avtryckarens funktion

⚠ VARNING: Innan du sätter i batterikassetten i maskinen ska du kontrollera att avtryckaren fungerar och återgår till läget "OFF" när du släpper den.

⚠ VARNING: Sätt ALDRIG säkerhetsknappens funktion ur spel genom att t.ex. tejpa fast den. I annat fall kan följden bli oavsiktlig aktivering och allvarlig personskada.

⚠ VARNING: Använd ALDRIG verktyget om det startar när du trycker in avtryckaren utan att ha tryckt in säkerhetsknappen. En säkerhetsknapp som behöver repareras kan orsaka oavsiktlig aktivering och allvarlig personskada. Returnera verktyget till ett Makita-servicecenter för reparation INNAN du fortsätter att använda det.

⚠ FÖRSIKTIGT: Maskinen börjar bromsa cirkelsågbladets rotation omedelbart när du släpper avtryckaren. Håll maskinen i ett fast grepp för att svara på reaktionen av bromsen när du släpper avtryckaren. En plötsliga reaktion kan få dig att tappa och kan leda till personskada.

En säkerhetsknapp förhindrar oavsiktlig aktivering av avtryckaren. Starta verktyget genom att först trycka in säkerhetsknappen och sedan avtryckaren. Släpp avtryckaren för att stoppa verktyget.

► Fig.13: 1. Avtryckare 2. Startspärr

OBSERVERA: Tryck inte in avtryckaren hårt utan att ha tryckt in säkerhetsknappen. Det kan skada avtryckaren.

Elektronisk broms

Denna maskin är försedd med en elektronisk bladsbroms. Om maskinen inte snabbt stoppar cirkelsågbladet efter att avtryckaren släppts, behöver maskinen servas på ett av Makita-servicecenter.

⚠ FÖRSIKTIGT: Klingbromssystemet är inte ett substitut för bladskydd. ANVÄND ALDRIG VERKTYGET UTAN ETT FUNGERANDE BLADSKYDD. DET KAN LEDA TILL PERSONSKADA SOM FÖLJD.

Elektronisk funktion

Följande elektroniska funktioner underlättar användningen av maskinen.

Mjukstartfunktion

Mjukstart genom att startkrafterna undertrycks.

MONTERING

⚠ FÖRSIKTIGT: Se alltid till att maskinen är avstängd och batterikassetten borttagen innan du underhåller maskinen.

Förvaring av ringnyckel

Förvara ringnyckeln enligt figuren när den inte används, så att du alltid har den till hands.

► Fig.14: 1. Ringnyckel

Demontering eller montering av cirkelsågklinga

⚠ FÖRSIKTIGT: Se till att montera cirkelsågklingan med sågtänderna uppåt i verktygets framkant.

⚠ FÖRSIKTIGT: Använd endast medföljande ringnyckel från Makita för att montera eller demontera cirkelsågbladet.

Ta bort cirkelsågbladet genom att trycka in spindellåset helt så att klingan inte kan rotera och lossa sexkantsbulten med ringnyckeln. Ta sedan bort sexkantsbulten, den yttre flänsen, cirkelsågbladet och ringen (landsspecifik).

► Fig.15: 1. Spindellås 2. Ringnyckel 3. Lossa 4. Dra åt

För verktyg utan insatsring

► Fig.16: 1. Sexkantsbult 2. Yttre fläns
3. Cirkelsågblad 4. Pil på cirkelsågbladet
5. Inre fläns 6. Pil på verktyget

För verktyg med insatsring

► Fig.17: 1. Sexkantsbult 2. Yttre fläns
3. Cirkelsågblad 4. Pil på cirkelsågbladet
5. Insatsring 6. Inre fläns 7. Pil på verktyget

Montera cirkelsågbladet genom att följa borttagningsproceduren i omvänd ordning. Passa in pilens riktning på cirkelsågbladet med pilen på verktyget.

För verktyg med en inre fläns som är avsedd för sågblad med en annan håldiameter än 15,88 mm

Den inre flänsen har en utskjutande del med en viss diameter på ena sidan och en utskjutande del med en annan diameter på den andra sidan. Välj den sidan där den utskjutande delen passar in perfekt i cirkelsågbladets hål. Montera den inre flänsen på monteringsaxeln så att rätt sida av den inre flänsens utskjutande del riktas utåt, och sätt sedan cirkelsågbladet och den yttre flänsen på plats.

- **Fig.18:** 1. Monteringsaxel 2. Inre fläns
3. Cirkelsågblad 4. Yttre fläns
5. Sexkantsbult

⚠ VARNING: SE TILL ATT DRA ÅT INSEXBULTEN ORDENTLIGT MOTURS. Var också noga med att inte dra åt bulten med våld. Om insexnyckeln glider ur handen kan den orsaka personskada.

⚠ VARNING: Se till att den utskjutande delen "a" på den inre flänsen som är placerad utåt passar in perfekt i hålet "a" i sågbladet. Att montera cirkelsågbladet på fel sida kan resultera i farliga vibrationer.

För verktyg med en inre fläns som är avsedd för ett sågblad med en håldiameter på 15,88 mm (landspecifikt)

Montera den inre flänsen med dess försänkta sida riktad utåt på monteringsaxeln och sätt sedan sågbladet (med insatsringen monterad om så krävs), den yttre flänsen och sexkantsbulten på plats.

För verktyg utan insatsring

- **Fig.19:** 1. Monteringsaxel 2. Inre fläns
3. Cirkelsågblad 4. Yttre fläns
5. Sexkantsbult

För verktyg med insatsring

- **Fig.20:** 1. Monteringsaxel 2. Inre fläns
3. Cirkelsågblad 4. Yttre fläns
5. Sexkantsbult 6. Insatsring

⚠ VARNING: SE TILL ATT DRA ÅT INSEXBULTEN ORDENTLIGT MOTURS. Var också noga med att inte dra åt bulten med våld. Om insexnyckeln glider ur handen kan den orsaka personskada.

⚠ VARNING: Om insatsringen behövs för att montera cirkelsågbladet på spindeln ska du alltid se till att korrekt insatsring för axelhålet på det blad du ska använda monteras mellan den inre och den yttre flänsen. Att använda fel insatsring för axelhålet kan leda till felaktig montering av cirkelsågbladet, vilket orsakar förflyttning av bladet och ger allvarliga vibrationer. Detta kan leda till att du förlorar kontrollen under användning, vilket kan orsaka allvarliga personskador.

Rengöring av klingskydd

När du byter cirkelsågklinga bör du även se till att rengöra de övre och nedre klingskydden från sågspån enligt beskrivningen i avsnittet om underhåll. Detta ersätter inte den nödvändiga kontrollen av att det nedre skyddet fungerar som det ska före varje användning.

Ansluta en dammsugare

Valfria tillbehör

OBS: Förvara gummiproppen framtill på maskinen så att den inte försvinner.

OBS: Fäst gummiproppen på dammunstycket när du inte använder dammsugaren.

Ta bort gummiproppen från dammunstycket och anslut dammsugarslangens.

- **Fig.21:** 1. Gummiprop

Anslut en dammsugare från Makita när du vill ha rent under sågningen. Anslut dammsugarslangens till dammunstycket med främre kopplingar 24.

- **Fig.22:** 1. Slang på dammsugare 2. Främre kopplingar 24 3. Dammunstycke 4. Gummiprop

ANVÄNDNING

Denna maskin är endast avsedd för att såga i träprodukter.

Se vår hemsida eller kontakta din lokala Makita-återförsäljare för korrekt cirkelsågblad som används med det material som ska kapas.

Kontrollera klingskyddets funktion

Ställ in vinkeln för vinkelsågning på 0° och dra sedan tillbaka det nedre klingskyddet hela vägen och släpp det. Det nedre klingskyddet fungerar korrekt om:

- det dras tillbaka ovanför basen utan problem, och
- om det återgår automatiskt och kommer i kontakt med stoppanordningen.

- **Fig.23:** 1. Övre skydd 2. Nedre skydd 3. Bas
4. Stoppanordning 5. Öppna 6. Stäng

Om det nedre skyddet inte fungerar korrekt, kontrollera om sågdamm har samlats inuti de övre och undre skydden. Om det nedre skyddet inte fungerar korrekt, även efter damm har avlägsnats, lämna in din maskin på service hos ett Makita servicecenter.

⚠ FÖRSIKTIGT: Bär andningsmask vid kaping.

⚠ FÖRSIKTIGT: Se till att verktyget förs framåt varsamt i en rät linje. Om du tvingar eller vrider sågen överhettas motorn och det finns risk för kraftiga bakåtkast som kan medföra allvarliga skador.

OBS: När batterikassetens temperatur är låg kan det hända att verktyget inte arbetar med full styrka. Använd då exempelvis verktyget för ett lätt sågarbete ett tag tills batterikasseten värms upp till rumtemperatur. Sedan kan verktyget arbeta med full styrka.

Håll verktyget i ett fast grepp. Verktyget är försett med handtag både fram och bak. Använd båda handtagen för att hålla verktyget stadigt. Om du håller sågen med båda händerna kan de inte skadas av cirkelsågbladet. Placera bottenplattan på arbetsstycket utan att cirkelsågbladet kommer i kontakt med det. Starta sedan verktyget och vänta tills cirkelsågbladet uppnått full hastighet. För sedan sågen framåt över arbetsstyckets yta. Håll den plant och för den varsamt framåt tills sågningen är klar.

För att få en renare sågning ska du hålla rak såglinje och jämn hastighet framåt. Försök inte att vrida eller tvinga verktyget tillbaka till såglinjen om den avsedda såglinjen inte kan följas. Cirkelsågbladet kan då fastna, vilket kan leda till ett farligt bakåtkast med risk för allvarliga skador som följd. Släpp avtryckaren, vänta tills cirkelsågbladet har stannat och ta sedan bort verktyget. Rikta in verktyget mot en ny såglinje och starta sågningen på nytt. Undvik att stå så att du utsätts för spån och damm som kastas ut från sågen. Använd skyddsglasögon för att undvika skador.

Krok

⚠ FÖRSIKTIGT: Ta alltid bort batteriet när du hänger upp maskinen med kroken.

⚠ FÖRSIKTIGT: Häng aldrig upp verktyget på höga platser eller på ytor där verktyget kan tappa balansen och falla ner. I annat fall kan fallolyckor inträffa och orsaka skador.

⚠ FÖRSIKTIGT: Dra inte maskinen nedåt när den är fastkrokad.

⚠ FÖRSIKTIGT: Använd endast upphängnings/monteringsdelar för dess avsedda ändamål. Användning för ej avsedd användning kan leda till olycka eller personskada.

Kroken används för att hänga upp maskinen temporärt. När du ska använda kroken lyfter du den helt enkelt tills den fastnar i öppet läge.

När du inte behöver den, trycker du in kroken tills den fastnar i stängt läge.

► Fig.25: 1. Krok 2. Öppet läge 3. Stängt läge

► Fig.26

Parallellanslag (anslagsskena)

Valfria tillbehör

Ett praktiskt parallellanslag möjliggör extra noggrann, rak sågning. Placera parallellanslaget tätt mot arbetsstyckets sida och lås fast det med skruven framtill på bottenplattan. Parallellanslaget kan också användas när du vill såga flera arbetsstycken med samma bredd.

► Fig.27: 1. Parallellanslag (anslagsskena)
2. Låsskruv

Anslutning av rep (fästrem)

⚠ Särskilda säkerhetsvarningar för användning på hög höjd

Läs igenom alla säkerhetsvarningar och anvisningar. Om varningarna och anvisningarna inte följs kan det leda till allvarliga personsador.

1. **Ha alltid maskinen fastbunden när du arbetar på hög höjd.** Maxlängd för repet är 2 m (6,5 ft). Maximal tillåten fallhöjd för rep (fästrem) får inte överstiga 2 m (6,5 ft).
2. **Används endast med rep som är lämpliga för denna maskintyp och klassade för minst 7,0 kg (15,4 lbs).**
3. **Fäst inte maskinrepet någonstans på kroppen eller på rörliga komponenter. Förankra maskinrepet i en stabil struktur som klarar kraften i ett fallande verktyg.**
4. **Se till att repet är ordentligt säkrat i båda ändarna före användning.**
5. **Inspektera maskinen och repet före varje användning för att kontrollera skador och korrekt funktion (inklusive tyg och sömmar). Använd det inte om det är skadat eller inte fungerar ordentligt.**
6. **Linda inte rep runt vassa eller grova kanter och låt dem inte komma i kontakt med dessa.**
7. **Fäst den andra änden på repet utanför arbetsområdet, så att en fallande maskin hålls säkert fast.**
8. **Fäst repet så att maskinen rör sig bort från operatören om den faller.** Maskiner som ramlar gungar i repet, vilket kan orsaka skada eller förlorad balans.
9. **Används inte nära rörliga delar eller maskineri som är igång.** Det kan leda till risk för krosskador eller intrassling.
10. **Bär inte maskinen i fästansordningen eller i repet.**
11. **Flytta över maskinen mellan händerna endast när du har ordentlig balans.**
12. **Fäst inte rep vid maskinen på ett sådant sätt att skydd, knappar eller spärrar inte fungerar ordentligt.**
13. **Undvik att bli intrasslad i repet.**
14. **Håll repet borta från maskinens skärområde.**
15. **Använd flerfunktionskarbinfästen av skruvportstyp. Använd inte enkelfunktionskarbinfästen med fjäderklämma.**
16. **Om maskinen tappas måste den märkas ut och tas ur bruk, och inspekteras av en Makita-fabrik eller auktoriserat servicecenter.**

► Fig.28: 1. Hål för rep (fästrem)

UNDERHÅLL

⚠ FÖRSIKTIGT: Se alltid till att maskinen är avstängd och batterikassetten borttagen innan inspektion eller underhåll utförs.

⚠ FÖRSIKTIGT: Rensa ut de övre och nedre skydden för att se till inga sågspån har samlats där som kan hämma det nedre skyddssystemets funktion. Ett smutsigt skyddssystem kan leda till att verktyget inte fungerar som det ska, vilket kan leda till allvarliga personsador. Det effektivaste rengörings-sättet är med tryckluft. **Om du blåser ut sågspån från skyddet ska du se till att ha ordentliga ögon- och andningskydd.**

⚠ FÖRSIKTIGT: Torka av sågdamm från maskinen efter varje användning. Det kan hända att fint sågdamm hamnar inuti maskinen och orsakar funktionsfel eller brand.

OBSERVERA: Använd inte bensin, förtunningsmedel, alkohol eller liknande. Missfärgning, deformation eller sprickor kan uppstå.

För att upprätthålla produktens SÄKERHET och TILLFÖRLITLIGHET bör allt underhålls- och justeringsarbete utföras av ett auktoriserat Makita servicecenter och med reservdelar från Makita.

Justera noggrannhet för sågningar på 0°

Denna inställning har utförts i fabriken. Om den är rubbad kan du justera den med följande procedur.

1. Lossa spärren lite på vinkelskalan.
2. Gör bottenplattan vinkelrät mot klingan med hjälp av en vinkelhake genom att skriva på inställningsskruven.
► **Fig.29:** 1. Vinkelhake 2. Inställningsskruv
3. Dra åt spärren och gör en testsågning för att kontrollera lodrätteten.

VALFRIA TILLBEHÖR

⚠ FÖRSIKTIGT: Följande tillbehör eller tillsatser rekommenderas för användning med den Makita-maskin som denna bruksanvisning avser. Om andra tillbehör eller tillsatser används kan det uppstå risk för personsador. Använd endast tillbehören eller tillsatserna för de syften de är avsedda för.

Kontakta ditt lokala Makita servicecenter om du behöver ytterligare information om dessa tillbehör.

- Cirkelsågklinga
- Ringnyckel
- Parallellanslag (anslagsskena)
- Främre kopplingar 24
- Makitas originalbatteri och -laddare

OBS: Några av tillbehören i listan kan vara inkluderade i maskinpaketet som standardtillbehör. De kan variera mellan olika länder.

TEKNISKE DATA

Modell:		RS001G
Bladdiameter		185 mm
Maks. skjæredybde	med 0°	65 mm
	ved 45° skråskjæring	45 mm
	ved 53° skråskjæring	38 mm
Hastighet uten belastning		6 400 min ⁻¹
Total lengde		446 mm
Nominell spenning		DC 36 V - 40 V maks
Nettovekt		5,0 - 5,6 kg

- På grunn av vårt kontinuerlige forsknings- og utviklingsprogram kan spesifikasjonene som oppgis i dette dokumentet endres uten varsel.
- Spesifikasjonene kan variere fra land til land.
- Vekten kan variere avhengig av tilbehøret/tilbehørene, inkludert batteriet. Den letteste og tyngste kombinasjonen, i henhold til EPTA-prosedyre 01/2014, vises i tabellen.

Passende batteri og lader

Batteriinnsetts	BL4025 / BL4040* / BL4050F* * : Anbefalt batteri
Lader	DC40RA / DC40RB / DC40RC

- Noen av batteriene og laderne som er opplistet ovenfor er kanskje ikke tilgjengelige, avhengig av hvor du bor.

⚠ADVARSEL: Bruk kun de batteriene og laderne som er opplistet ovenfor. Bruk av andre batterier og ladere kan føre til personskader og/eller brann.

Riktig bruk

Verktøyet er beregnet på saging av langsgående og tversgående rette snitt og gjæringssnitt med vinkler i tre, mens det er i tett kontakt med arbeidsemnet.

Støy

Typisk A-vektet lydtryknivå er bestemt i henhold til EN62841-2-5:
Lydtryknivå (L_{pA}) : 92 dB (A)
Lydeffektivnivå (L_{WA}) : 103 dB (A)
Usikkerhet (K): 3 dB (A)

MERK: Den/de oppgitte verdien(e) for genererte vibrasjoner har blitt målt i henhold til standard testmetoder, og kan bli brukt til å sammenligne ett verktøy med et annet.

MERK: Den/de angitte verdien(e) for de genererte vibrasjonene kan også brukes til en foreløpig vurdering av eksponeringen.

⚠ADVARSEL: Bruk hørselsvern.

⚠ADVARSEL: De genererte vibrasjonene ved faktisk bruk av elektroverktøyet kan avvike fra den/de angitte vibrasjonsverdien(e), avhengig av hvordan verktøyet brukes.

⚠ADVARSEL: Sørg for å identifisere vernetiltak for å beskytte operatøren, som er basert på et estimat av eksponeringen under de faktiske bruksforholdene (idet det tas hensyn til alle deler av driftssyklusen, dvs. hvor lenge verktøyet er slått av, hvor lenge det går på tomgang og hvor lenge startbryteren faktisk holdes trykket).

Vibrasjoner

Den totale vibrasjonsverdien (triaksial vektorsum) bestemt i henhold EN62841-2-5:
Arbeidsmodus: saging av tre
Genererte vibrasjoner ($a_{h,w}$) : 2,5 m/s² eller mindre
Usikkerhet (K): 1,5 m/s²

MERK: Den/de oppgitte verdien(e) for totalt genererte vibrasjoner har blitt målt i henhold til standard testmetoder, og kan bli brukt til å sammenligne ett verktøy med et annet.

MERK: Den/de angitte verdien(e) for totalt genererte vibrasjoner kan også brukes til en foreløpig vurdering av eksponeringen.

⚠ADVARSEL: De genererte vibrasjonene ved faktisk bruk av elektroverktøyet kan avvike fra den/de angitte vibrasjonsverdien(e), avhengig av hvordan verktøyet brukes og spesielt i forhold til arbeidsstykket som blir behandlet.

⚠ADVARSEL: Sørg for å identifisere vernetiltak for å beskytte operatøren, som er basert på et estimat av eksponeringen under de faktiske bruksforholdene (idet det tas hensyn til alle deler av driftssyklusen, dvs. hvor lenge verktøyet er slått av, hvor lenge det går på tomgang og hvor lenge startbryteren faktisk holdes trykket).

EFs samsvarserklæring

Gjelder kun for land i Europa

EFs samsvarserklæring er lagt til som vedlegg A i denne bruksanvisningen.

SIKKERHETSADVARSEL

Generelle advarsler angående sikkerhet for elektroverktøy

⚠ADVARSEL: Les alle sikkerhetsadvarsler, instruksjoner, illustrasjoner og spesifikasjoner som følger med dette elektroverktøyet. Hvis ikke alle instruksjonene nedenfor følges, kan det forekomme elektrisk støt, brann og/eller alvorlig skade.

Oppbevar alle advarsler og instruksjoner for senere bruk.

Uttrykket «elektrisk verktøy» i senere refererer både til elektriske verktøy (med ledning) tilkoblet strømmettet, og batteridrevne verktøy (uten ledning).

Sikkerhetsadvarsler for batteridrevet sirkelsag

Skjærepresedyrer

- ⚠FARE:** Hold hendene unna kappeområdet og bladet. Hold den andre hånden på hjelpehåndtaket eller motorhuset. Hvis du holder sagen med begge hendene, risikerer du ikke at de blir skåret av bladet.
- Ikke strekk deg under arbeidsstykket.** Bladvernet kan ikke beskytte deg mot bladet under arbeidsmønnet.
- Juster dybden på kutt til tykkelsen på arbeidsstykket.** Mindre enn en hel sagtann skal være synlig nedenfor arbeidsemnet.
- Du må aldri holde arbeidsstykket med hendene eller la det ligge tvers over bena dine når det kuttes. Sikre arbeidsstykket på en stødig plattform.** Det er viktig å støtte arbeidsstykket ordentlig for å gjøre risikoen minst mulig for å få skader, for at bladet skal sette seg fast, eller for at du skal miste kontrollen.

► Fig.1

- Hold elektroverktøyet i de isolerte gripeflatene når skjæreverktøyet kan komme i kontakt med skjulte ledninger under arbeidet.** Kontakt med en strømførende ledning kan føre til at metalldelene på elektroverktøyet også blir strømførende, og kan gi brukeren elektrisk støt.
- Ved kløyving må du alltid bruke et parallellanlegg eller en foring med rett kant.** Dette forbedrer nøyaktigheten av kuttet og reduserer risikoen for at bladet skal sette seg fast.
- Det må alltid brukes blader med riktig størrelse og form (diamant eller rund) på akselhullet.** Blader som ikke passer til monteringsmekanismen på sagen vil svive ute av senter og bli umulige å kontrollere.

- Bruk aldri mellomleggskiver til bladet eller en bolt som er skadd eller ikke passer.** Mellomleggskivene for bladet og boltene er spesielt utformet for sagen, for optimal ytelse og sikker drift.

Tilbakeslag oppstår og relaterte advarsler

- Tilbakeslag er en plutselig reaksjon på et klemt, fastsittende eller feiljustert sagblad, som kan føre til at en sag som ikke holdes godt fast blir løftet opp og ut av arbeidsstykket, og mot operatøren.
- Når bladet kommer i klemt eller setter seg fast ved et snittet lukker seg, stopper bladet, og motoren driver enheten hurtig tilbake mot operatøren.
- Hvis bladet blir vridd eller feiljustert i snittet, vil tennene i bakkant av bladet grave seg inn i den øvre kanten av arbeidsemnet, slik at bladet arbeider seg ut av snittet og spretter tilbake mot operatøren.

Tilbakeslag er et resultat av feil bruk av sagen og/eller feilaktige arbeidsprosedyrer eller arbeidsforhold, og kan unngås hvis man tar de rette forholdsregler (se nedenfor).

- Hold sagen i et fast grep med begge hender, og hold armene dine slik at de kan motstå kraften fra sagen i tilfelle den slår tilbake mot deg. Posisjoner kroppen på den ene siden av bladet, men ikke på linje med det.** Tilbakeslag kan føre til at sagen hopper bakover. Tilbakeslagene kan imidlertid kontrolleres av brukeren, hvis brukeren tar de rette forholdsreglene.
- Når bladet setter seg fast, eller når du av en eller annen grunn vil avbryte sagingen, må du slippe startbryteren og holde sagen i ro i materialet inntil bladet har stoppet helt. Du må aldri forsøke å fjerne sagen fra arbeidsemnet eller å trekke den bakover mens bladet er i bevegelse, da dette kan få sagen til å slå tilbake.** Undersøk hvorfor bladet setter seg fast og sett i verk avhjelpende tiltak.
- Når du starter sagen i arbeidsstykket igjen, må du sentrere sagbladet i snittet slik at sagtannene ikke griper inn i materialet.** Hvis et sagblad sitter fast, kan det løfte seg opp eller føre til at sagen slår tilbake mot deg når den startes igjen.
- Støtt opp større plater for å redusere risikoen så mye som mulig for at bladet kommer i beknip, og for tilbakeslag.** Større plater har en tendens til å bøye seg under sin egen vekt. Støttene må plasseres under platen på begge sider, nær kappelinjen og nær kantene av platen.

► Fig.2

► Fig.3

- Ikke bruk sløve eller ødelagte blad.** Uskarpe eller feilaktig innstilte blad gir trangt snitt, noe som forårsaker kraftig friksjon, får bladet til å sette seg fast og resulterer i at sagen slår tilbake mot operatøren.
- Dette kan medføre tilbakeslag (kickback) som kan gi alvorlige personskader.** Bladdybden og låsehendlene for avfasingsjusteringen må være strammet og festet før snittet gjøres.
- Vær ekstra forsiktig når du sager i eksisterende vegger eller andre områder uten innsyn.** Det fremstikkende bladet kan treffe gjenstander som kan forårsake tilbakeslag.
- Hold ALLTID maskinen fast med begge hender. Plasser ALDRI hånden, benet eller noen annen kroppsdelt under maskinfoten eller bak sagen, særlig når du sager på tvers.** Hvis det skjer et tilbakeslag, kan sagen lett komme til å hoppe bakover over hånden din og forårsake alvorlige helseskader.

► Fig.4

9. **Bruk aldri makt på sagen.** Skiv sagen fremover med en slik hastighet at bladet skjærer uten å miste fart. Hvis du bruker makt på sagen, kan det gi ujevne snitt, unøyaktighet og muligheter for tilbakeslag.

Vernfunksjon

1. **Sjekk at det nedre vernet er ordentlig lukket før hver gang maskinen tas i bruk. Ikke begynn å bruke sagen hvis det nedre vernet ikke beveger seg fritt og lukker seg momentant. Det nedre vernet må aldri klemmes fast eller bindes opp i åpen stilling.** Hvis sagen ved et ulykkestilfelle skulle falle ned, kan det nedre vernet bli bøyd. Løft det nedre vernet med hevehendelen og forviss deg om at det beveger seg fritt og ikke berører bladet eller andre deler, uansett snittvinkel eller -dybde.
2. **Kontroller at fjæren til det nedre vernet virker som den skal. Hvis vernet og fjæren ikke fungerer som de skal, må de etterses før bruk.** Det nedre vernet kan gå tregt pga. ødelagte deler, gummiavleiringer eller opphopning av spon.
3. **Det nedre vernet kan trekkes tilbake manuelt bare i forbindelse med spesielle typer snitt, som f.eks. innstikk og kombinasjonssaging.** Hev det nedre vernet ved hjelp av hevehendelen og slipp det så snart bladet går inn i materialet. For all annen saging bør det nedre vernet få lov til å fungere automatisk.
4. **Pass på at det nedre vernet alltid dekker bladet før du setter sagen ned på benken eller gulvet.** Et ubeskyttet, roterende blad vil få sagen til å bevege seg bakover mens bladet kapper alt som kommer i dets vei. Vær oppmerksom på at bladet trenger en viss tid for å stoppe etter at bryteren er sluppet.
5. **Kontroller det nedre vernets funksjon ved å åpne det for hånd, slippe det og kontrollere at det lukkes. Kontroller også at hevehendelen ikke berører verktøyhuset.** Et eksponert blad er SVÆRT FARLIG og kan føre til alvorlig personskade.

Flere sikkerhetsadvarsler

1. **Vær ekstra forsiktig ved skjæring i fuktig tre, trykkbehandlet tømmer eller tømmer med kvist.** Unngå overoppheting av bladspissene ved å bevege bladet jevnt fremover uten reduksjon i bladhastigheten.
2. **Ikke forsøk å fjerne kapp mens bladet er i bevegelse.** Vent til bladet stopper før du griper det materialet som er kappet. Bladene roterer fritt etter at maskinen er slått av.
3. **Unngå å skjære i spiker.** Se etter og fjern all spiker fra arbeidsemnet før arbeidet påbegynnes.
4. **Sett den bredeste delen av sagfoten på den delen av arbeidsemnet som er godt støttet opp, ikke på den delen som kommer til å falle av når snittet er fullført.** Hvis arbeidsemnet er kort eller lite, må det klemmes fast. **IKKE FORSØK Å HOLDE KORTE STYKKER MED HÅNDEN!**

► Fig.5

5. **Før du setter verktøyet ned etter å ha fullført et kutt, må du forvise deg om at vernet er lukket og at bladet har stoppet helt.**
6. **Forsøk aldri å sage mens sirkelsagen holdes opp ned i en skrustikke.** Dette er ekstremt farlig og kan forårsake alvorlige ulykker.

► Fig.6

7. **Enkelte materialer inneholder kjemikalier som kan være giftige. Treff tiltak for å hindre hudkontakt og innånding av støv. Følg leverandørens sikkerhetsanvisninger.**
8. **Ikke stopp bladene ved å presse sideveis på sagbladet.**
9. **Ikke bruk slipeskiver.**
10. **Bruk bare sagbladet med diameter som er merket på verktøyet eller spesifisert i håndboken.** Bruk av et blad med feil størrelse kan påvirke riktig beskyttelse av bladet eller bruk av bladvernet, som kan resultere i alvorlig personskade.
11. **Hold bladet skarpt og rent.** Harpiks og bek som størkner på bladene reduserer turtallet på sagen og øker risikoen for tilbakeslag. Hold bladet rent ved først å ta det av verktøyet og deretter gjøre det rent med en harpiks- og bekfjerner, varmt vann eller parafin. Du må aldri bruke bensin.
12. **Bruk en støvmaske og hørselsvern når du bruker verktøyet.**
13. **Bruk alltid sagbladet som er beregnet på kutting av materialet som du skal kutte.**
14. **Bruk bare sagbladene som er merket med en hastighet som er lik eller høyere enn hastigheten som er merket på verktøyet.**
15. **(Kun land i Europa.)**
Bruk alltid bladet som overholder EN847-1.
16. **Plasser verktøyet og delene på et flatt og stabilt underlag.** Ellers kan verktøyet eller delen falle ned og forårsake personskade.

TA VARE PÅ DISSE INSTRUKSENE.

⚠ ADVARSEL: IKKE LA hensynet til hva som er "begynnelse" eller det faktum at du kjenner produktet godt (etter mange gangers bruk) gjøre deg mindre oppmerksom på sikkerhetsreglene for bruken av det aktuelle produktet. Ved MISBRUK eller hvis ikke sikkerhetsreglene i denne bruksanvisningen følges, kan det oppstå alvorlig personskade.

Viktige sikkerhetsanvisninger for batteriinnsets

1. **Før du begynner å bruke batteriet, må du lese alle anvisninger og forsiktighetsregler på (1) batteriladeren, (2) batteriet og (3) det produktet batteriet skal brukes i.**
2. **Ikke demonter eller tukle batteriet.** Det kan føre til brann, overoppheting eller eksplosjon.
3. **Hvis driftstiden er blitt vesentlig kortere, må du omgående slutte å bruke maskinen.** Hvis ikke kan resultatet bli overoppheting, mulige forbrenninger eller til og med en eksplosjon.
4. **Hvis du får elektrolytt i øynene, må du skylle dem med store mengder rennende vann og oppsøke lege med én gang.** Denne typen uhell kan føre til varig blindhet.
5. **Ikke kortslett batteriet:**
 - (1) De kan være ekstremt varme og du kan brenne deg.
 - (2) Ikke lagre batteriet i samme beholder som andre metallgjenstander, som for eksempel spiker, mynter osv.
 - (3) Ikke la batteriet komme i kontakt med vann eller regn.

En kortslutning av batteriet kan føre til et kraftig strømstøt, overopphvarming, mulige forbrønninger og til og med til at batteriet går i stykker.

- Ikke oppbevar og bruk verktøyet og batteriet på steder hvor temperaturen kan komme opp i eller overskride 50 °C.
- Ikke sett fyr på batteriet, ikke engang om det er sterkt skadet eller helt utslitt. Batteriet kan eksplodere hvis det begynner å brenne.
- Du må ikke spikre, skjære, klømme, kaste eller miste batteriet, og heller ikke slå en hard gjenstand mot batteriet. En slik oppførsel kan føre til brann, overoppheting eller eksplosjon.
- Ikke bruk batterier som er skadet.
- Lithium-ion-batteriene som medfølger er gjenstand for krav om spesialavfall. For kommersiell transport, f.eks av tredjeparter eller speditorer, må spesielle krav om pakking og merking følges. Før varen blir sendt, må du forhøre deg med en ekspert på farlig materiale. Ta også hensyn til muligheten for mer detaljerte nasjonale bestemmelser. Bruk teip eller maskeringsteip for å skjule åpne kontakter og pakk inn batteriet på en slik måte at den ikke kan bevege seg rundt i emballasjen.
- Når du kasserer batteriinnsettsen, må du ta den ut av verktøyet og avhende den på et sikkert sted. Følg lokale bestemmelser for avhending av batterier.
- Bruk batteriene kun med produkter spesifisert av Makita. Montere batteriene i produkter som ikke er konforme kan føre til brann, overheting eller elektrolyttlekkasje.
- Hvis verktøyet ikke skal brukes over en lengre periode, må batteriet tas ut av verktøyet.
- Under og etter bruk kan batteriet bli varmt og før til brannskader. Vær forsiktig med håndteringen av varme batterier.
- Ikke berører terminalen på verktøyet rett etter bruk, da den kan bli varm og forårsake brannskader.
- Ikke la spon, støv eller jord sette seg fast i terminalene, hullene og sporene i batteriet. Det kan føre til dårlig ytelse eller at verktøyet eller batteriet slutter å fungere.
- Med mindre verktøyet støtter bruk nær en høyspent strømlinje, skal ikke batteriet brukes nær en høyspent strømlinje. Det kan føre til en funksjonsfeil eller at verktøyet eller batteriet slutter å fungere.
- Oppbevar batteriet utilgjengelig for barn.

TA VARE PÅ DISSE INSTRUKSENE.

⚠️ FORSIKTIG: Bruk kun originale Makita-batterier. Bruk av batterier som har endret seg, eller som ikke er originale Makita-batterier, kan føre til at batteriet sprekker og forårsaker brann, personskader og andre skader. Det vil også ugyldiggjøre garantien for Makita-verktøyet og -laderen.

Tips for å opprettholde maksimal batterilevetid

- Lad batteriinnsettsen før den er helt utladet. Stopp alltid driften av verktøyet og lad batteriinnsettsen når du merker at effekten reduseres.
- Lad aldri en batteriinnsetts som er fulladet. Overopplading forkorter batteriets levetid.
- Lad batteriet i romtemperatur ved 10 °C - 40 °C. Et varmt batteri må kjøles ned før lading.
- Når batteriet ikke er bruk, skal det tas ut av verktøyet eller laderen.
- Lad batteriet hvis det ikke har vært brukt på en lang stund (over seks måneder).

FUNKSJONS BESKRIVELSE

⚠️ FORSIKTIG: Forviss deg alltid om at maskinen er slått av og batteriet tatt ut før du justerer maskinen eller kontrollerer dens mekaniske funksjoner.

Sette inn eller ta ut batteri

⚠️ FORSIKTIG: Slå alltid av verktøyet før du setter inn eller fjerner batteriet.

⚠️ FORSIKTIG: Hold verktøyet og batteripatronen i et fast grep når du monterer eller fjerner batteripatronen. Hvis du ikke holder verktøyet og batteripatronen godt fast, kan du miste grepet, og dette kan føre til skader på verktøyet og batteripatronen samt personskader.

⚠️ FORSIKTIG: Ikke bruk batteriadapteren med sirkelsagen. Batteriadapterens kabel kan komme i veien under bruk og føre til personskade.

► Fig.7: 1. Rød indikator 2. Knapp 3. Batteriinnsetts

For å ta ut batteriet må du skyve på knappen foran på batteriet og trekke det ut.

Når du skal sette inn batteriet, må du plassere tungen på batteriet på linje med sporet i huset og skyve batteriet på plass. Skyv det helt inn til det går i inngrep med et lite klikk. Hvis du kan se den røde indikatoren på oversiden av knappen, er det ikke fullstendig låst.

⚠️ FORSIKTIG: Batteriet må alltid settes helt inn, så langt at den røde indikatoren ikke lenger er synlig. Hvis dette ikke gjøres, kan batteriet falle ut av verktøyet og skade deg eller andre som oppholder seg i nærheten.

⚠️ FORSIKTIG: Ikke bruk makt når du setter i batteriet. Hvis batteriet ikke glir lett inn, er det fordi det ikke settes inn på riktig måte.

Batterivernsystem for verktøy/batteri

Verktøyet er utstyrt med et batterivernsystem for verktøy/batteri. Dette systemet slår automatisk av strømmen til motoren for å forlenge verktøyets og batteriets levetid. Verktøyet stopper automatisk under drift hvis verktøyet eller batteriet utsettes for en av følgende tilstander. Indikatorene lyser i noen tilfeller.

Overlastsikring

Når verktøyet/batteriet brukes på en måte som gjør at det bruker unormalt mye strøm, vil verktøyet stoppe automatisk. Hvis dette skjer, må du slå av verktøyet og avslutte bruken som forårsaket at verktøyet ble overbelastet. Slå deretter verktøyet på for å starte det igjen.

Overopphetingsvern

Når verktøyet/batteriet er overopphetet, stopper verktøyet automatisk. Hvis dette skjer, må du la verktøyet kjøle seg ned før du slår på verktøyet igjen.








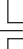

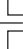





Overutladningsvern

Når det blir lite batteri igjen, stopper verktøyet automatisk. Hvis produktet ikke går selv om bryterne aktiveres, må du ta batteriene ut av verktøyet og lade batteriene.

Indikere gjenværende batterikapasitet

Trykk på sjekk-knappen på batteriet for vise gjenværende batterikapasitet. Indikatorlampene lyser i et par sekunder.

► **Fig.8:** 1. Indikatorlamper 2. Kontrollknapp

Indikatorlamper			Gjenværende batterinivå
Tent	Av	Blinker	
			
			75 % til 100 %
			50 % til 75 %
			25 % til 50 %
			0 % til 25 %
			Lad batteriet.
			Batteriet kan ha en feil.

MERK: Det angitte nivået kan avvike noe fra den faktiske kapasiteten alt etter bruksforholdene og den omgivende temperaturen.

MERK: Den første (helt til venstre) indikatorlampen vil blinke når batterivernsystemet fungerer.

Funksjon for automatisk hastighetsendring

Dette verktøyet har en modus for høy hastighet og en modus for høyt dreiemoment.

Verktøyet skifter automatisk driftsmodus avhengig av arbeidsbelastningen. Når arbeidsbelastningen er for lav, kjører verktøyet i modus for høy hastighet for raskere saging. Når arbeidsbelastningen er for høy, kjører verktøyet i modus for høyt dreiemoment for kraftig saging.

Justere skjæredybden

⚠FORSIKTIG: Når du har justert skjæredybden, må du alltid stramme hendelen godt.

Løsne hendelen på dybdeføringen, og beveg foten opp eller ned. Fest foten ved ønsket skjæredybde ved å stramme hendelen.

For at sagingen skal bli renere og sikrere må du stille inn skjæredybden slik at ikke mer enn én sagtann stikker ut under arbeidsstykket. Hvis skjæredybden er riktig, reduseres risikoen for farlige TILBAKESLAG som kan forårsake personskaade.

► **Fig.9:** 1. Spak

Skråskjæring

⚠FORSIKTIG: Etter at du har justert skråvinkelen, må du alltid stramme hendelen godt.

Løsne hendelen, og still inn den ønskede vinkelen ved å vippe på verktøyet, og stram deretter hendelen godt.

► **Fig.10:** 1. Hengel

Positiv stopper

Den positive stopperen er nyttig når du vil stille inn ønsket vinkel raskt. Drei den positive stopperen slik at pilen på den peker på ønsket skråvinkel (ca. 22,5°/45°/53°). Løsne hendelen, og vipp deretter verktøyfoten til den stopper. Stillingen der verktøyfoten stopper er vinkelen du stilte inn med den positive stopperen. Stram hendelen med verktøyfoten i denne stillingen.

► **Fig.11:** 1. Positiv stopper

Sikting

For rette kutt, sett innstillingen foran på verktøyet på 0° og jevnt med skjærelinjen. For 45° skråsnitt, sett innstillingen på 45° jevnt med skjærelinjen.

► **Fig.12:** 1. Skjærelinje (0°-posisjon) 2. Skjærelinje (45°-posisjon)

Bryterfunksjon

⚠ ADVARSEL: Før du setter batteriet inn i maskinen, må du alltid kontrollere at startbryteren aktiverer maskinen på riktig måte og går tilbake til «AV»-stilling når den slippes.

⚠ ADVARSEL: ALDRI sett avsperringsknappen ute av funksjon ved å for eksempel teipe over den. En defekt avsperringsknapp kan føre til at maskinen aktiveres utilsiktet og alvorlige personskader kan oppstå.

⚠ ADVARSEL: Maskinen må ALDRI brukes hvis den begynner å gå bare du trykker på startbryteren, uten at du må trykke på avsperringsknappen også. En skadet/defekt bryter kan føre til at maskinen aktiveres utilsiktet og alvorlige personskader kan oppstå. Returner maskinen til et Makita-servicesenter for å få den reparert FØR videre bruk.

⚠ FORSIKTIG: Verktøyet starter straks nedbremsing av sirkelsagbladet så snart du har sluppet startbryteren. Hold godt fast i verktøyet som motvekt til reaksjonen til bremsen når du slipper startbryteren. Plutselig reaksjon kan gjøre at verktøyet glipper ut av hånden din og forårsake personskade.

For å unngå at startbryteren trykkes inn ved en feiltakelse, er maskinen utstyrt med en avsperringsknapp. Trykk på avsperringsknappen og startbryteren for å starte sagen. Slipp opp bryteren for å stanse verktøyet.
► **Fig.13:** 1. Startbryter 2. AV-sperreknapp

OBS: Ikke press hardt på startbryteren uten å trykke inn AV-sperreknappen. Dette kan få bryteren til å brekke.

Elektrisk brems

Dette verktøyet er utstyrt med elektrisk bladbrem. Hvis verktøyet aldri stopper sirkelsagbladet raskt når startbryteren slippes, må du få gjennomført service ved et Makita servicesenter.

⚠ FORSIKTIG: Bladbremssystemet er ikke en erstatning for bladvern. MASKINEN MÅ ALDRI BRUKES UTEN ET FUNKSJONERENDE BLADVERN. DETTE KAN FØRE TIL ALVORLIG PERSONSKADE.

Elektronisk funksjon

Verktøy som er utstyrt med elektroniske funksjoner er enkle i bruk på grunn av følgende funksjon(er).

Mykstartfunksjon

Myk start fordi startrykket undertrykkes.

MONTERING

⚠ FORSIKTIG: Forviss deg alltid om at maskinen er slått av og batteriet tatt ut før du utfører noe arbeid på maskinen.

Oppbevaring av offsetnøkkel

Når offsetnøkkelen ikke er i bruk, må du oppbevare den som vist i figuren, slik at du ikke mister den.

► **Fig.14:** 1. Offsetnøkkel

Demontere eller montere sirkelsagbladet

⚠ FORSIKTIG: Sørg for at sirkelsagbladet monteres med tennene pekende opp foran på verktøyet.

⚠ FORSIKTIG: Bare bruk Makitas offsetnøkkelen til å montere eller demontere sirkelsagbladet.

For å ta av sirkelsagbladet, må du trykke på spindellåsen slik at sirkelsagbladet ikke kan rotere, og bruke offsetnøkkelen til å løsne sekskantskruen. Så skru du ut sekskantskruen, den ytre flensen, sirkelsagbladet og ringen (avhengig av land).

► **Fig.15:** 1. Spindellås 2. Offsetnøkkel 3. Løsne 4. Stramme

For verktøy uten ringen

► **Fig.16:** 1. Sekskantskrue 2. Ytre flens 3. Sirkelsagblad 4. Pil på sirkelsagbladet 5. Indre flens 6. Pil på verktøyet

For verktøy med ringen

► **Fig.17:** 1. Sekskantskrue 2. Ytre flens 3. Sirkelsagblad 4. Pil på sirkelsagbladet 5. Ring 6. Indre flens 7. Pil på verktøyet

Monter sirkelsagbladet ved å følge fremgangsmåten for demontering i motsatt rekkefølge.

Innrett pilretningen på sirkelsagbladet med pilretningen på verktøyet.

For verktøy med indre flens for sagblad med en annen huldiameter enn 15,88 mm

Den indre flensen har et visst diameterfremspring på den ene siden og et annet diameterfremspring på den andre siden. Velg den korrekte siden hvor fremspringet passer perfekt i hullet på sirkelsagbladet. Monter den indre flensen på festeakslingen slik at det riktige siden på fremspringet til innerflensen vender utover. Plasser deretter sirkelsagbladet og den ytre flensen.

► **Fig.18:** 1. Monteringsskaft 2. Indre flens 3. Sirkelsagblad 4. Ytre flens 5. Sekskantskrue

⚠ ADVARSEL: PASS PÅ AT DU TREKKER SEKSKANTSKRUE GODT TIL MOT KLOKKEN. Du må også passe på at skruen ikke strammes for hardt. Hvis hånden glipper fra sekskantnøkkelen, kan det føre til personskade.

⚠ ADVARSEL: Pass på at fremspringet "a" på den indre flensen som er posisjonert på utsiden passer perfekt i hullet på sagbladet "a". Hvis sirkelsagbladet monteres på feil side, kan det føre til farlig vibrasjon.

For verktøy med innvendig flens for sagblad med 15,88 mm hull diameter (bestemmes for hvert land)

Monter den indre flensen med den nedsenkede siden utover på festeakslingen og plasser sagbladet, ytterflensen og sekskantskruen (med ringen satt på om nødvendig).

For verktøy uten ringen

- **Fig.19:** 1. Monteringskraft 2. Indre flens
3. Sirkelsagblad 4. Ytre flens
5. Sekskantskrue

For verktøy med ringen

- **Fig.20:** 1. Monteringskraft 2. Indre flens
3. Sirkelsagblad 4. Ytre flens
5. Sekskantskrue 6. Ring

⚠ ADVARSEL: PASS PÅ AT DU TREKKER SEKSKANTSKRUEEN GODT TIL MOT KLOKKEN. Du må også passe på at skruen ikke strammes for hardt. Hvis hånden glipper fra sekskantnøkkelen, kan det føre til personskade.

⚠ ADVARSEL: Hvis ringen er nødvendig for å montere sirkelsagbladet på spindelen, må du forsikre deg om at korrekt akselhulling for bladet er satt inn mellom de indre og ytre flensene. Ved bruk av feil akselhullskive vil sirkelsagbladet kanskje ikke monteres riktig. Dette kan føre til at sirkelsagbladet begynner å vandre og vibrere kraftig, at du mister kontrollen over verktøyet under arbeidet og til alvorlige personskader.

Rengjøring av bladvern

Når du skifter sirkelsagblad, må du også rengjøre de øverste og nederste bladverne for akkumulert sagflis, som nevnt i avsnittet Vedlikehold. Du må imidlertid fortsatt kontrollere at nedre bladvern virker før hver gangs bruk.

Koble til støvsuger

Valgfritt tilbehør

MERK: For å forhindre at du mister gummiheften, kan du oppbevare den foran på verktøyet.

MERK: Når du ikke bruker støvsugeren, fest gummiheften på støvmunnstykket.

Ta gummiheften av støvmunnstykket, og koble til støvsugerslange.

- **Fig.21:** 1. Gummihefte

Hvis du vil sage så rent som mulig, kan du koble en Makita-støvsuger til verktøyet. Deretter kobler du støvsugerslangen til støvmunnstykket med frontmansjettene 24.

- **Fig.22:** 1. Støvsugerslange 2. Frontmansjett 4
3. Støvmunnstykke 4. Gummihefte

BRUK

Dette verktøyet er bare beregnet til saging av treprodukter.

Se på nettstedet vårt eller kontakt den lokale Makita-forhandleren for riktige sirkelsagblad til materialet som skal skjæres.

Funksjonskontroll av bladvernet

Sett skjæringsvinkelen til 0°, og så trekker du det nedre bladvernet manuelt helt til enden og slipper deg. Det nedre vernet virker som det skal hvis;

- det trekkes tilbake over foten uten noen hindringer og
- det går tilbake automatisk og får kontakt med stopperen.

- **Fig.23:** 1. Øvre vern 2. Nedre vern 3. Fot 4. Stopper 5. Åpne 6. Lukke

Hvis det nedre vernet ikke virker som det skal, må du kontrollere om det har samlet seg opp sagflis inne i øvre og nedre vern. Hvis det nedre vernet ikke virker som det skal, selv etter at støvet er fjernet, må du levere verktøyet til et Makita servicesenter.

⚠ FORSIKTIG: Bruk en støvmaske når du sager.

⚠ FORSIKTIG: Sørg for å bevege verktøyet pent fremover i en rett linje. Hvis du bruker makt på eller vrir verktøyet, vil motoren bli overopphetet og maskinen kan slå tilbake mot brukeren. Dette er farlig og kan gi alvorlige personskader.

MERK: Maskinen fungerer ikke som tiltenkt når batteritemperaturen er for lav. Bruk maskinen til lett saging inntil batteriet er oppvarmet til romtemperatur. Deretter kan maskinen brukes med full kapasitet.

- **Fig.24**

Hold godt fast i verktøyet. Verktøyet leveres både med fremre og bakre håndtak. Bruk begge for å få best mulig tak på maskinen. Hvis du holder sagen med begge hendene, unngår du å skjære deg på sirkelsagbladet. Sett foten på det arbeidsstykket som skal kappes, uten at sirkelsagbladet kommer borti arbeidsstykket. Slå deretter på maskinen, og vent til sirkelsagbladet oppnår full hastighet. Nå kan du ganske enkelt bevege sagen over overflaten på arbeidsmenet, holde den flatt og bevege den langsomt forover til sagingen er ferdig.

For å få rene kutt må du sage i rett linje og med jevn hastighet. Hvis kuttet ikke følger skjærelinjen helt, må du ikke forsøke å dreie eller tvinge verktøyet tilbake til skjærelinjen. Hvis du gjør det, kan sirkelsagbladet sette seg fast og gi farlige tilbakeslag som kan føre til alvorlige skader. Slipp bryteren, vent til sirkelsagbladet stopper og trekk ut maskinen. Still inn maskinen på en ny skjærelinje og begynn sagingen på nytt. Forsøk å unngå en plassering som utsetter operatøren for en sprut av flis og sagmugg fra sagen. Bruk øyevern for å redusere risikoen for skader.

Krok

⚠ FORSIKTIG: Ta alltid ut batteriet når verktøyet henges opp på kroken.

⚠ FORSIKTIG: Du må aldri henge verktøyet høyt opp eller på overflater der det kan velte og falle ned. Det kan oppstå en fallulykke som forårsaker alvorlige personskader.

⚠ FORSIKTIG: Ikke trekk verktøyet nedover når det henger i kroken.

⚠ FORSIKTIG: Opphengs-/monteringsdelene skal kun brukes til det de er beregnet på. Annen bruk enn det de er beregnet på, kan føre til en ulykke eller personskader.

Kroken er praktisk å henge opp verktøyet med for kortere tid. Nå du skal bruke kroken, trenger du bare løfte den opp til den åpner seg.

Når kroken ikke skal brukes på en stund, må du alltid senke den så den lukker seg.

► Fig.25: 1. Krok 2. Åpen stilling 3. Lukket stilling

► Fig.26

Parallellanlegg (føringslinjal)

Valgfritt tilbehør

Det praktiske parallellanlegget gjør det mulig å foreta ekstra nøyaktige rette kutt. Skyv ganske enkelt parallellanlegget tett opp til siden av arbeidsemnet og fest det med skruen foran på foten. Med parallellanlegget kan du dessuten skjære gjentatte ganger med samme bredde.

► Fig.27: 1. Parallellanlegg (føringslinjal)
2. Klemmeskrue

Fangsnor (sikkerhetsstropp)

⚠ Spesielle sikkerhetsadvarsler for bruk i høyden
Les alle sikkerhetsadvarslene og instruksjonene. Hvis advarsler og instruksjoner ikke følges, kan det føre til alvorlig personskade.

1. Fest alltid verktøyet i en sikkerhetsstropp når du arbeider "i høyden". Maksimal fangsnorlengde er 2 m (6,5 fot). Maksimal tillatt fallhøyde for fangsnor (sikkerhetsstropp) må ikke overskride 2 m (6,5 ft).
2. Bare bruk fangsnorer som er tilpasset denne typen verktøy og som er merket for 7,0 kg (15,4 lbs).
3. Fangsnoren for verktøyet må ikke forankres til noe på kroppen din eller til bevegelige komponenter. Fangsnoren for verktøyet må forankres til en stiv konstruksjon som kan motstå kreftene hvis verktøyet faller ned.
4. Pass på at fangsnoren er skikkelig sikret i begge ender før bruken.
5. Kontroller at fangsnoren for verktøyet ikke er skadd og fungerer riktig før hver bruk (inkludert stoff og sømmer). Ikke bruk den hvis den er skadd eller ikke fungerer som den skal.
6. Ikke surr fangsnorer rundt, eller la dem komme i kontakt med, skarpe kanter.

7. Fest den andre enden av fangsnoren utenfor arbeidsområdet slik at verktøyet holdes sikkert hvis det faller ned.
 8. Fest fangsnoren slik at verktøyet vil bevege seg bort fra brukeren hvis det faller ned. Verktøy som faller ned vil svinge i fangsnoren, og kan føre til personskader eller til at du mister balansen.
 9. Ikke bruk den nær bevegelige deler eller maskiner som er i gang. Hvis du gjør det, kan det føre til en innklemming eller at den vikler seg fast.
 10. Ikke bær verktøyet i festeinnretningen eller fangsnoren.
 11. Du må kun overføre vektøyet fra én hånd til den andre hvis du er i god balanse.
 12. Ikke fest fangsnoren til verktøyet på en måte som kan hindre vern, brytere eller AV-sperrer fra å virke som de skal.
 13. Unngå å vikle deg inn i fangsnoren.
 14. Hold fangsnoren unna verktøyet skjærområde.
 15. Bruk fleraksjons karabinkroker med skrulås. Ikke bruk enkelaksjons karabinkrok med fjærlukking.
 16. Hvis verktøyet skulle falle ned, må det merkes og tas ut av bruk, og det bær kontrolleres av en Makita-fabrikk eller et autorisert servicesenter.
- Fig.28: 1. Hull for fangsnor (sikkerhetsstropp)

VEDLIKEHOLD

⚠ FORSIKTIG: Forviss deg alltid om at maskinen er slått av og batteriet tatt ut før du foretar inspeksjon eller vedlikehold.

⚠ FORSIKTIG: Rengjør øvre og nedre vern for å sikre at det ikke finnes opsamlet sagspon som kan hindre betjening av nedre beskyttelsessystem. Et skittent beskyttelsessystem kan begrense forsvarlig drift og føre til alvorlig personskade. Den mest effektive måten å foreta denne rengjøringen på, er ved bruk av trykkluff. Hvis støvet blåses ut av vernene, pass på at det riktige øye- og åndedrettsvernet brukes.

⚠ FORSIKTIG: Etter hver bruk, må du tørke av sagspon fra verktøyet. Fint sagspon kan komme inn i verktøyet og forårsake feifunksjon eller brann.

OBS: Aldri bruk gasolin, bensin, tynner alkohol eller lignende. Det kan føre til misfarging, deformering eller sprekedannelse.

For å opprettholde produktets SIKKERHET og PÅLITELIGHET, må reparasjoner, vedlikehold og justeringer utføres av autoriserte Makita servicesentre eller fabrikkservicesentre, og det må alltid brukes reservedeler fra Makita.

Justering av 0° kuttøyaktighet

Denne justeringen er gjort på fabrikken. Men hvis den er unøyaktig, kan du justere i henhold til følgende prosedyre.

1. Løsne hendelen litt på skrålappplaten.
2. Gjør foten vinkelrett i forhold til bladet ved hjelp av en trekantet linjal eller firkantet linjal ved å vri justeringsskruen.

► **Fig.29:** 1. Trekantlinjal 2. Justeringsskrue

3. Stram hendelen, og foreta deretter en prøvesaging for å kontrollere at kuttet blir vertikalt.

VALGFRITT TILBEHØR

⚠FORSIKTIG: Det anbefales at du bruker dette tilbehøret eller verktøyet sammen med den Makita-maskinen som er spesifisert i denne håndboken. Bruk av annet tilbehør eller verktøy kan forårsake personskader. Tilbehør og verktøy må kun brukes til det formålet det er beregnet på.

Ta kontakt med ditt lokale Makita-servicesenter hvis du trenger mer informasjon om dette tilbehøret.

- Sirkelsagblad
- Offsetnøkkel
- Parallellanlegg (føringslinjal)
- Frontmansjett 24
- Makita originalbatteri og lader

MERK: Enkelte elementer i listen kan være inkludert som standardtilbehør i verktøypakken. Elementene kan variere fra land til land.

TEKNISET TIEDOT

Malli:	RS001G	
Terän halkaisija	185 mm	
Suurin leikkuvuusvyvyys	0°:ssa	65 mm
	45° viisteellä	45 mm
	53° viisteellä	38 mm
Kuormittamaton kierrosnopeus	6 400 min ⁻¹	
Kokonaispituus	446 mm	
Nimellisjännite	DC 36 V – 40 V maks.	
Nettopaino	5,0 – 5,6 kg	

- Jatkuvasta tutkimus- ja kehitystyöstämme johtuen esitetyt tekniset tiedot saattavat muuttua ilman erillistä ilmoitusta.
- Tekniset tiedot voivat vaihdella maittain.
- Paino voi olla erilainen lisävarusteista sekä akusta johtuen. EPTA-meneteltävän 01/2014 mukaisesti, taulukossa on kuvattu kevyin ja painavin laiteyhdistelmä.

Käytettävä akkupaketti ja laturi

Akkupaketti	BL4025 / BL4040* / BL4050F* *: Suositeltu akku
Laturi	DC40RA / DC40RB / DC40RC

- Tiettyjä yläpuolella kuvattuja akkuja ja latureita ei ehkä ole saatavana asuinalueestasi johtuen.

VAROITUS: Käytä vain edellä eriteltyjä akkupaketteja ja latureita. Muiden akkupakettien ja laturien käyttäminen voi aiheuttaa loukkaantumisen ja/tai tulipalon.

Käyttötarkoitus

Työkalu on tarkoitettu puun pitkittäiseen, poikittaiseen ja jirisaaukseen siten, että saha on koko ajan välittömässä kosketuksessa työkappaleeseen.

Melutaso

Tyypillinen A-painotettu melutaso määräytyy standardin EN62841-2-5 mukaan:

Äänenpainetaso (L_{pA}): 92 dB (A)

Äänen voiman taso (L_{WA}): 103 dB (A)

Virhemarginaali (K): 3 dB (A)

HUOMAA: Ilmoitetut melutasoarvot on mitattu standarditestausten mukaisesti ja niiden avulla voidaan vertailla työkaluja keskenään.

HUOMAA: Ilmoitettuja melutasoarvoja voidaan käyttää myös altistumisen alustavaan arviointiin.

VAROITUS: Käytä kuulosuojaimia.

VAROITUS: Sähkötyökalun käytön aikana mitattu melutasoarvo voi poiketa ilmoitetuista arvoista laitteen käytettävän ja erityisesti käsiteltävän työkappaleen mukaan.

VAROITUS: Selvitä käyttäjän suojaamiseksi tarvittavat varoitimet todellisissa käyttöolosuhteissa tapahtuvan arvioitujen altistumisen mukaisesti (ottaen huomioon käyttöjakso kokonaisuudessaan, myös jaksot, joiden aikana laite on sammutettuna tai käy tyhjäkäynnillä).

Tärinä

Kokonaistärinä (kolmen akselin vektorien summa) määräytyy standardin EN62841-2-5 mukaan:

Työtila: puun leikkaaminen

Tärinäpäästö ($a_{h,w}$): 2,5 m/s² tai alaisempi

Virhemarginaali (K): 1,5 m/s²

HUOMAA: Ilmoitetut kokonaistärinäarvot on mitattu standarditestausten mukaisesti ja niiden avulla voidaan vertailla työkaluja keskenään.

HUOMAA: Ilmoitettuja kokonaistärinäarvoja voidaan käyttää myös altistumisen alustavaan arviointiin.

VAROITUS: Sähkötyökalun käytön aikana mitattu todellinen tärinäpäästöarvo voi poiketa ilmoitetuista arvoista laitteen käytettävän ja erityisesti käsiteltävän työkappaleen mukaan.

VAROITUS: Selvitä käyttäjän suojaamiseksi tarvittavat varoitimet todellisissa käyttöolosuhteissa tapahtuvan arvioitujen altistumisen mukaisesti (ottaen huomioon käyttöjakso kokonaisuudessaan, myös jaksot, joiden aikana laite on sammutettuna tai käy tyhjäkäynnillä).

EY-vaatimustenmukaisuusvakuutus

Koskee vain Euroopan maita

EY-vaatimustenmukaisuusvakuutus on liitetty tähän käyttöoppaaseen.

TURVAVAROITUKSET

Sähkötyökalujen käyttöä koskevat yleiset varoitukset

VAROITUS: Tutustu kaikkiin tämän sähkötyökalun mukana toimitettuihin varoituksiin, ohjeisiin, kuviin ja teknisiin tietoihin. Seuraavassa luettelujen ohjeiden noudattamatta jättäminen saattaa johtaa sähköiskuun, tulipaloon tai vakavaan vammautumiseen.

Säilytä varoitukset ja ohjeet tulevaa käyttöä varten.

Varoituksissa käytettävällä termillä "sähkötyökalu" tarkoitetaan joko verkkovirtaa käyttävää (johdollista) työkalua tai akkukäyttöistä (johdotonta) työkalua.

Akkukäyttöisen pyörösahan turvallisuusohjeet

Sahausohjeet

- VARAARA:** Pidä kädet loitolla sahauslinjalta ja terästä. Pidä toista kättä apukavalla tai moottorin kotelon päällä. Jos pidät kiinni sahasta molemmin käsin, terä ei voi vahingoittaa käsiä.
 - Älä korota työkappaleen alapuolella.** Suojus ei suojaa terältä työkappaleen alapuolella.
 - Säädi leikkaussyvyys työkappaleen paksuuden mukaan.** Pienempi osa kuin terän täysi hammas tulee olla näkyvillä työkappaleen alapuolella.
 - Älä koskaan pidä työkappaletta käsissäsi tai jalkojesi välissä leikkaamisen aikana. Kiinnitä työkappale tukevaan jalustaan.** On tärkeää, että työkappale tuetaan luotettavasti loukkaantumisriskin, terän juuttumisen ja laitteen hallinnan menettämisen välttämiseksi.
- Kuva1
- Pidä sähkötyökalua vain sen eristetyistä tartuntapinnoista, kun on mahdollista, että sen leikkuterä osuu pillosa oleviin johtoihin.** Jos sähkötyökalun metalliosa joutuu kosketukseen jännitteellisen virtajohdon kanssa, laitteen sähköä johtavat metalliosat voivat aiheuttaa käyttäjälle sähköiskun.
 - Käytä halkaisuun aina halkaisu- tai sivuohjainta.** Se parantaa sahaustarkkuutta ja vähentää terän juuttumista.
 - Käytä aina oikeankokoisia ja -muotoisia teriä (timantti vs. pyöreä).** Terät, jotka eivät sovi työkalun kiinnityslaitteisiin, pyörivät epäkeskeisesti ja aiheuttavat sahan ohjauksen menetyksen.
 - Älä koskaan käytä viallisia tai vääriä terän aluslevyjä tai pultteja.** Terän aluslaatat ja pultit on suunniteltu erityisesti tälle sahalle ja takaavat parhaan suorituskyvyn ja turvallisuuden.

Takapotku ja siihen liittyvät varoitukset

- Takapotku on äkillinen reaktio, jonka aiheuttaa kiinni juuttunut, vääntynyt tai vääriin kohdistettu terä, joka saa sahan hypähtämään irti työkappaleesta käyttäjää kohti;

- jos terä juuttuu tai jumittuu tiukkaan sahausuraan, terä pysähtyy ja moottorin suojaus kääntää sen pyörimissuunnan nopeasti taaksepäin käyttäjää kohti;
 - jos terä vääntyy tai sen kohdistus muuttuu sahausuraan, terän takaosan hampaat voivat pureutua puun pintakerrokseen, jolloin terä nousee ylös urasta ja saha ponnahtaa käyttäjään kohti.
- Takapotku johtuu sahan virheellisestä käytöstä ja/tai vääristä käyttöolosuhteista. Takapotku voidaan välttää noudattamalla seuraavia varoituimia.

- Ota sahasta tukeva ote molemmin käsin ja pidä käsiä sellaisessa asennossa, että voit ottaa vastaan mahdollisen takapotkun aiheuttamat voimat. Sijoita vartalo jommallekummalle puolelle terää, mutta ei terän suuntaisesti.** Takapotku voi aiheuttaa sahan ponnahtamisen taaksepäin, mutta käyttäjä voi hallita sen voimat, jos takapotkuun vauraudutaan asianmukaisin varotoimin.
 - Jos terä jumittaa tai jos keskeytät leikkaamisen jostakin muusta syystä, vapauta liipaisin-kytkin ja pidä saha paikoillaan työkappaleessa, kunnes terä on täysin pysähtynyt. Älä koskaan yritä poistaa sahaa työkappaleesta tai vetää sahaa taaksepäin, kun terä liukkuu tai seurauksena voi olla takapotku.** Tutki ja korjaa mahdolliset syyt, jotka aiheuttavat terän jumittumisen.
 - Kun saha käynnistetään uudelleen työkappaleessa, keskitä sahanterän sahausuraan ja tarkista, että sahan hampaat eivät ole kiinni materiaalissa.** Jos terä on jumissa, se saattaa hypähtää työkappaleesta tai aiheuttaa takapotkun käynnistettäessä sahaa uudelleen.
 - Tue suuria paneeleja, jotta minimoit terien jumittumisen ja takapotkujen riskin.** Suurilla paneeleilla on tapana taipua oman painonsa vaikutuksesta. Levy on tuettava molemilta puoltta sahauslinjan vierestä ja reunoilta.
- Kuva2
- Kuva3
- Älä käytä tylsiä tai vioittuneita teriä.** Tylsät tai vääriin asetetut terät tekevät kapean sahausuran, josta on seurauksena ylimääräistä kitkaa, terän taipuminen ja takapotku.
 - Terän syvyys ja viiteen säädön lukitusvivut on oltava tiukalla ennen leikkauksen suoritusta.** Jos terän asetus siirtyy leikkauksen aikana, seurauksena voi olla terän jumittuminen ja takapotku.
 - Ole erityisen varovainen, kun sahaat umpinaisia seinäpintoja tai jos et muuten näe sahattavaa kohdetta.** Läpitukenutuva terä voi leikata kohteita, jotka saattavat aiheuttaa takapotkun.
 - PIDÄ AINA koneesta tukevasti molemmin käsin. ÄLÄ KOSKAAN pidä kättä, jalkaa tai muuta ruumiinosaa työkalun pohjan alapuolella tai sahan taakse, varsinkaan katkaisussa.** Jos saha potkaisee taakse, se voi helposti ponnahtaa käsille ja aiheuttaa vakavia vammoja.
- Kuva4
- Älä koskaan sahaa väkisin. Työnnä sahaa eteenpäin sellaisella nopeudella, että terä leikkaa hidastumatta.** Sahan pakottaminen voi aiheuttaa epätasaisia leikkauksia, tarkkuuden vähenemistä ja mahdollisesti takapotkun.

Suojuksen toiminta

1. Varmista alasuojuksen sulkeutuminen ennen jokaista käyttökertaa. Älä käytä sahaa, jos alasuojus ei liiku vapaasti ja sulkeudu heti. Älä koskaan sido alasuojusta auki-asentoon. Jos saha putoaa vahingossa, alasuojus voi taittua. Nosta alasuojusta sisään vedettävästä kahvasta ja varmista, että suojus liikkuu vapaasti eikä kosketa terää tai muita osia missään leikkauskulmassa tai -syvyydessä.
2. Tarkista alasuojuksen jousen toiminta. Jos suojus ja jousi eivät toimi oikein, ne tulee huoltaa ennen käyttöä. Alasuojus saattaa toimia hitaasti johtuen voittuneista osista, tahmeasta karstasta tai jäännösten kasautumisesta.
3. Alasuojus voidaan vetää taakse käsin vain silloin, kun sahataan umpinaisia pintoja. Nosta alasuojus vedettävästä kahvasta ja heti, kun terä leikkaa materiaalin, alasuojus tulee vapauttaa. Kaikessa muussa sahauskassa alasuojuksen tulee antaa toimia automaattisesti.
4. Huomioi aina, että alasuojus peittää terän ennen kuin asetat sahan penkille tai lattialle. Suojaamaton ja vapaasti liikkuva terä voi aiheuttaa sahan siirtymisen taaksepäin leikaten mitä sen eteen tulee. Ota huomioon se aika, jonna terän pysähtyminen sahan sammuttamisen jälkeen vaatii.
5. Voit tarkistaa alasuojuksen avaamalla sen käsin ja sitten vapauttamalla seuraten samalla, miten se sulkeutuu. Varmista myös, ettei sisään vedettävä kahva osu leikkurin koteloon. Terän jättäminen ilman suojusta on ERITTÄIN VAARALLISTA ja voi johtaa vakaviin vammoihin.

Turvallisuutta koskevia lisävaroituksia

1. Ole erityisen varovainen, jos sahaat kosteaa, painekyllästettyä tai oksaista puuta. Vältä terän ylikuumenemista säätämällä terän nopeus sellaiseksi, että sahaus etenee sujuvasti terän nopeuden hidastumatta.
 2. Älä yritä poistaa leikattua materiaalia, kun terä on vielä liikkeessä. Odota, kunnes terä pysähtyy, ennen kuin tartut sahattuun kappaleeseen. Terä pyörii vielä jonkin aikaa sen jälkeen, kun saha on sammutettu.
 3. Vältä naulojen sahaamista. Tarkista puutavara ja poista kaikki naulat ennen sahausta.
 4. Aseta sahan alustan leveämpi puoli työkapaleen tuetun osan päälle, älä sahattaessa irtoavan osan päälle. Jos työkappale on lyhyt tai pieni, kiinnitä se ruuvipenkkiin. ÄLÄ YRITÄ PITÄÄ LYHYTTÄ TYÖKAPPALETTA PAIKOILLAAN KÄSIN!
- Kuva5
5. Ennen sahan laskemista käsistäsi, varmista, että suojus on sulkeutunut ja terä on täysin pysähtynyt.
 6. Älä koskaan yritä leikata sirkelkellä, joka on ylösalaisin viilapenkillä. Tämä on erittäin vaarallista ja voi johtaa vakaviin vammoihin.
- Kuva6
7. Jotkin materiaalit sisältävät kemikaaleja, jotka voivat olla myrkyllisiä. Huolehdi siitä, että pölyn sisäänhengittäminen ja ihokosketus estetään. Noudata materiaalin toimittajan turvaohjeita.

8. Älä pysäytä terä painamalla sivulla sahanterää.
9. Älä käytä minkäänlaisia hiomalaikkoja.
10. Käytä vain sahanteriä, joiden halkaisija on sama kuin työkaluun merkitty tai ohjekirjassa mainittu. Vääränkokoisien terän käyttäminen voi vaikuttaa terän suojaukseen tai itse terän toimivuuteen ja aiheuttaa vakavia vammoja.
11. Pidä terät terävinä ja puhtaina. Terään kovetunut pihka hidastaa sahaamista ja lisää takapotkun vaaraa. Pidä terä puhtaana irrottamalla se sahausta ja puhdistamalla pihkanpoistoaineella, kuumalla vedellä tai petroliilla. Älä käytä koskaan puhdistukseen bensiiniä.
12. Käytä työkalua käyttäessäsi hengitys- ja kuulosuojaimia.
13. Käytä aina sahattavalle materiaalille tarkoitettua sahanterää.
14. Käytä vain sahanteriä, joiden merkitty nopeus on vähintään yhtä suuri tai suurempi kuin työkaluun merkitty nopeus.
15. (Ainoastaan Euroopan valtiot) Käytä aina sahanteriä, jotka noudattavat standardin EN847-1 vaatimuksia.
16. Aseta työkalu ja osat tasaiselle ja vakaalle pinnalle. Muutoin työkalu tai osat voivat pudota ja aiheuttaa vammoja.

SÄILYTÄ NÄMÄ OHJEET.

VAROITUS: ÄLÄ anna työkalun helpokäyttöisyyden (toistuvan käytön aikaansaama) johtaa sinua vääriin turvallisuuden tunteeseen niin, että laiminlyöt työkalun turvaohjeiden noudattamisen. VÄÄRINKÄYTTÖ tai tässä käyttöohjeessa ilmoitettujen turvamääräysten laiminlyönti voi aiheuttaa vakavia henkilövahinkoja.

Akkupakettia koskevia tärkeitä turvaohjeita

1. Ennen akun käyttöönottoa tutustu kaikkiin laturissa (1), akussa (2) ja akkukäyttöisessä tuotteessa (3) oleviin varoitusteksteihin.
2. Älä pura tai peukaloi imuria akkupakettia. Se voi johtaa tulipaloon, ylikuumenemiseen tai räjähdykseen.
3. Jos akun toiminta-aika lyhenee merkittävästi, lopeta akun käyttö. Seurauksena voi olla ylikuumeneminen, palovammoja tai jopa räjähdys.
4. Jos akkunestettä pääsee silmiin, huuhtelee puhtaalla vedellä ja hakeudu välittömästi lääkärin hoitoon. Akkuneste voi aiheuttaa näön menetyksen.
5. Älä oikosulje akkua.
 - (1) Älä koske akun napoihin millään sähköä johtavalla materiaaliilla.
 - (2) Vältä akun oikosulkemista äläkä säilytä akkua yhdessä muiden metalliesineiden, kuten naulojen, kolikoiden ja niin edelleen kanssa.
 - (3) Älä aseta akkua alttiiksi vedelle tai sateelle.

Oikosulku voi aiheuttaa virtapiikin, ylikuumentumista, palovammoja tai laitteen rikkoontumisen.

- Älä säilytä ja käytä työkalua ja akkupakettia paikassa, jossa lämpötila voi nousta 50 °C:een (122 °F) tai korkeammaksi.
- Älä hävitä akkua polttamalla, vaikka se olisi pahoin vaurioitunut tai täysin loppuun kulunut. Avotuli voi aiheuttaa akun räjähtämisen.
- Älä naulaa, leikkaa, purista, heitä tai pudota akkupakettia tai iske sitä kovia esineitä vasten. Tällaiset toimet voivat johtaa tulipaloon, ylikuumentumiseen tai räjähdykseen.
- Älä käytä viallista akkua.
- Sisältyviä litium-ioni-akkuja koskevat vaarallisten aineiden lainsäädännön vaatimukset. Esimerkiksi kolmansien osapuolten huolintaliikkeiden tulee kaupallisissa kuljetuksissa noudattaa pakkaamista ja merkintöjä koskevia erityisvaatimuksia. Lähetettävän tuotteen valmistelu edellyttää vaarallisten aineiden asiantuntijan neuvontaa. Huomioi myös mahdollisesti yksityiskohtaisemmat kansalliset määräykset. Akun avoimet liittimet tulee suojata teipillä tai suojuksella ja pakkaaminen tulee tehdä niin, ettei akku voi liikkua pakkauksessa.
- Kun akkupaketti on hävitettävä, poista se laitteesta ja hävitä se turvallisesti. Hävitä akku paikallisten määräysten mukaisesti.
- Käytä akkua vain Makitan ilmoittamien tuotteiden kanssa. Akkujen asentaminen yhteensopimattomiin tuotteisiin voi aiheuttaa tulipalon, liiallisen ylikuumentumisen, räjähdyksen tai akkunestevuotoja.
- Jos laitetta ei käytetä pitkään aikaan, akku on poistettava laitteesta.
- Akkupaketin lämpötila voi käytön aikana ja sen jälkeen nousta niin kuumaksi, että se voi aiheuttaa palovammoja tai lieviä palovammoja. Käsittele kuumia akkupaketteja huolellisesti.
- Älä kosketa työkalun liittintä välittömästi käytön jälkeen, sillä se voi olla riittävän kuuma aiheuttamaan palovammoja.
- Älä päästä lastuja, pölyä tai maata akkupaketin liittimiin, aukkoihin ja uriin. Se voi heikentää työkalun tai akkupaketin suorituskykyä tai johtaa niiden rikkoontumiseen.
- Ellei työkalu tue käyttöä korkeajännitelinjojen lähellä, älä käytä akkupakettia korkeajännitelinjojen lähellä. Se voi johtaa työkalun tai akkupaketin toimintahäiriöön tai rikkoontumiseen.
- Pidä akku poissa lasten ulottuvilta.

SÄILYTÄ NÄMÄ OHJEET.

▲HUOMIO: Käytä vain alkuperäisiä Makita-akkua. Muiden kuin aitojen Makita-akkujen, tai mahdollisesti muutettujen akkujen käyttö voi johtaa akun murtumiseen ja aiheuttaa tulipaloja, henkilö- ja omaisuusvahinkoja. Se mitätöi myös Makita-työkalun ja -laturin Makita-takuun.

Vihjettä akun käyttöön pidentämiseksi

- Lataa akku ennen kuin se purkautuu täysin. Lopeta aina työkalun käyttö ja lataa akku, jos huomaat työkalun tehon vähenevän.
- Älä koskaan lataa uudestaan täysin ladattua akkua. Ylilataaminen lyhentää akun käyttöikää.
- Lataa akku huoneen lämpötilassa välillä 10 °C - 40 °C. Anna kuumen akkun jäähtyä ennen lataamista.
- Irrota akkupaketti työkalusta tai laturista, kun sitä ei käytetä.
- Lataa akkupaketti, jos et käytä sitä pitkään aikaan (yli kuusi kuukautta).

TOIMINTOJEN KUVAUS

▲HUOMIO: Varmista aina ennen säätöjä ja tarkastuksia, että työkalu on sammutettu ja akkupaketti irrotettu.

Akun asentaminen tai irrottaminen

▲HUOMIO: Sammuta työkalu aina ennen akun kiinnittämistä tai irrottamista.

▲HUOMIO: Pidä työkalusta ja akusta tiukasti kiinni, kun irrotat tai kiinnität akkua. Jos akkupaketti tai työkalu putoaa, ne voivat vaurioitua tai aiheuttaa tapaturman.

▲HUOMIO: Älä käytä akkusovitinta pyörösahan kanssa. Akkusovittimen johto voi haitata käyttöä ja aiheuttaa henkilövahingon.

- Kuva7: 1. Punainen ilmaisin 2. Painike 3. Akkupaketti

Irrota akku painamalla akun etupuolella olevaa painiketta ja vetämällä akku ulos työkalusta.

Akkupaketti asennetaan paikalleen sovittamalla akkupaketin kieleke rungon uraan ja työntämällä se sitten paikoilleen. Työnnä akkupaketti pohjaan asti niin, että kuulet sen napsahtavan paikoilleen. Jos painikkeen yläpuolella näkyy punainen ilmaisin, akkupaketti ei ole lukkiutunut täysin paikoilleen.

▲HUOMIO: Työnnä akkupaketti aina pohjaan asti, niin että punainen ilmaisin ei enää näy. Jos akkupaketti ei ole kunnolla paikallaan, se voi pudota työkalusta ja aiheuttaa vammoja joko sinulle tai sivullisille.

▲HUOMIO: Älä käytä voimaa akun asennuksessa. Jos akku ei liu'u paikalleen helposti, se on väärässä asennossa.

Työkalu/akun suojausjärjestelmä

Työkalu on varustettu työkalu/akun suojausjärjestelmällä. Tämä järjestelmä pidentää työkalun ja akun käyttöikää katkaisemalla automaattisesti moottorin virran. Työkalu pysähtyy automaattisesti kesken käytön, jos työkalussa tai akussa ilmenee jokin seuraavista tilanteista: Joissakin tilanteissa merkkivalot syttyvät.

Ylikuormitusuoja

Kun työkalua/akkuja käytetään tavalla, joka saa sen kuluttamaan epätavallisen suuren määrän virtaa, työkalu pysähtyy automaattisesti. Katkaise tässä tilanteessa työkalusta virta ja lopeta työkalun ylikuormitustilan aiheuttanut käyttö. Käynnistä sitten työkalu uudelleen kytkemällä siihen virta.

Ylikuumenemissuoja

Kun työkalu/akku ylikuumentee, työkalu pysähtyy automaattisesti. Tässä tapauksessa anna työkalun jäähtyä, ennen kuin kytket sen uudelleen päälle.



















Ylipurkautumissuoja

Jos akun varaus käy vähiin, työkalu pysähtyy automaattisesti. Jos työkalu ei toimi, vaikka kytkimiä käytetään, irrota akut työkalusta ja lataa ne.

Akun jäljellä olevan varaustason ilmaisin

Painamalla tarkistuspainiketta saat näkyviin akun jäljellä olevan varauksen. Merkkivalot palavat muutaman sekunnin ajan.

► **Kuva8:** 1. Merkkivalot 2. Tarkistuspainike

Merkkivalot			Akussa jäljellä olevan varaus
 Palaa	 Pois päältä	 Vilkkuu	
			75% - 100%
			50% - 75%
			25% - 50%
			0% - 25%
			Lataa akku.
 	  ↑ ↓	 	Akussa on saattanut olla toimintahäiriö.

HUOMAA: Ilmoitettu varaustaso voi erota hieman todellisesta varaustasosta sen mukaan, millaisissa oloissa ja missä lämpötilassa laitetta käytetään.

HUOMAA: Ensimmäinen (vasemmanpuoleisin) merkkivalo vilkkuu, kun akun suojausjärjestelmä on toiminnassa.

Automaattinen

nopeudenvaihtotoiminto

Tässä laitteessa on "suuren nopeuden tila" ja "suuren vääntömomentin tila".

Laite muuttaa toimintatilaa automaattisesti työkuormituksen mukaan. Kun työkuormitus on alhainen, laite toimii "suuren nopeuden tilassa" varmistaen nopeaman sahaustoiminnon. Kun työkuormitus on korkea, laite toimii "suuren vääntömomentin tilassa" varmistaen tehokkaamman sahaustoiminnon.

Leikkaussyvyyden säätäminen

▲HUOMIO: Kiristä kahva luotettavasti aina leikkaussyvyyden säätämisen jälkeen.

Löysää syvyytulkissa olevaa vipua ja siirrä jalustaa ylös tai alas. Kun sopiva leikkaussyvyys on säädetty, lukitse jalusta kiristämällä vipua. Aseta syvyys niin, että vain yksi terän hammas ulottuu työkappaleen alapinnan ulkopuolelle, jolloin leikkausjäljestä tulee siisti ja itse leikkaus on turvallisempaa. Oikea leikkaussyvyys vähentää henkilövahinkoja aiheuttavien mahdollisten TAKAPOTKUJEN vaaraa.

► **Kuva9:** 1. Vipu

Viistosahaus

▲HUOMIO: Kun viistekulma on säädetty, kiristä aina vipu luotettavasti.

Löysää vipua ja aseta haluttu kulma kallistamalla laitetta haluttuun kulmaan ja kiristä sitten vipu luotettavasti.

► **Kuva10:** 1. Vipu

Positiivinen pysäytin

Positiivinen pysäytin on hyödyllinen nopeassa kohdekulman asettamisessa. Käännä positiivista pysäytintä siten, että siinä oleva nuoli osoittaa valitsemaasi viistekulmaan (noin 22,5°/45°/53°). Löysää vipua ja kallista sitten työkalun jalustaa, kunnes se pysähtyy. Kohta, missä työkalun jalusta pysähtyy, on positiivisella pysäytimellä asettamasi kulma. Kiristä vipu, kun työkalun jalusta on tässä asennossa.

► **Kuva11:** 1. Positiivinen pysäytin

Tähtäys

Kun haluat sahata suoraan, kohdista pohjan etuosan 0°-kohta sahauslinjaan. Kun haluat tehdä 45°:n viiستیä, kohdista 45°-kohta sahauslinjaan.

► **Kuva12:** 1. Leikkaulinja (0° -asento) 2. Leikkaulinja (45° -asento)

Kytkimen käyttäminen

VAROITUS: Tarkista aina ennen akkupaketin asettamista työkaluun, että liipaisinkytkin kytkeytyy oikein ja palaa "OFF"-asentoon, kun se vapautetaan.

VAROITUS: ÄLÄ KOSKAAN ohita lukituksen vapautuspainiketta teippaamalla sitä kiinni tai muulla tavoin. Jos kytkimen lukituksen vapautuspainike vapautetaan, laite saattaa käynnistyä vahingossa, mistä voi seurata vakava henkilövahinko.

VAROITUS: ÄLÄ KOSKAAN käytä sahaa, jos se käynnistyy pelkästään liipaisinkytkintä painamalla ilman, että painaisit lukituksen vapautuspainiketta. Jos kytkin on viallinen, laite saattaa käynnistyä vahingossa, mistä voi seurata vakava henkilövahinko. Toimita työkalu Makita-huoltoon korjattavaksi ENNEN kuin jatkat käyttöä.

HUOMIO: Laite alkaa jarruttaa pyörösahan terän kiertoliikettä heti, kun liipaisinkytkin vapautetaan. Pidä laitteesta tiukasti kiinni, jotta saat hallittua jarrituksen aiheuttamaa reaktioliikettä, kun vapautat liipaisinkytkimen. Äkillinen reaktioliike voi aiheuttaa laitteen putoamisen kädestä ja johtaa henkilövahinkoihin.

Lukituksen vapautusnappi ehkäisee liipaisinkytkimen tahattoman vetämisen. Käynnistä työkalu painamalla lukituksen vapautuspainike sisään ja vetämällä liipaisinkytkimestä. Voit pysäyttää työkalun vapauttamalla liipaisinkytkimen.

► **Kuva13:** 1. Liipaisinkytkin 2. Lukituspainike

HUOMAUTUS: Älä vedä kytkimen liipaisinta voimakkaasti, ellet samalla paina lukituksen vapautusnappia. Kytkin voi rikkoutua.

Sähköjarru

Tämä laite on varustettu terän sähköjarrulla. Jos laitteen pyörösahanterä ei pysähdy nopeasti liipaisinkytkimen vapautuksen jälkeen, vie laite Makitan huoltopalveluun huollettavaksi.

HUOMIO: Terän jarrujärjestelmä ei korvaa teräsuojusta. ÄLÄ KOSKAAN KÄYTÄ LAITETTA, JOSSE EI OLE TOIMIVAA TERÄSUOJUSTA. SE VOI AIHEUTTAA VAKAVAN HENKILÖVAHINGON.

Sähköinen toiminta

Sähköisiä toimintoja sisältäviä laitteita on helppo käyttää seuraavien ominaisuuksien ansiosta.

Pehmeä käynnisty

Laite käynnistyy pehmeästi vaimentuneen käynnistysnykäyksen johdosta.

KOKOONPANO

HUOMIO: Varmista aina ennen mitään työkalulle tehtäviä toimenpiteitä, että se on sammutettu ja akku irrotettu.

Offset-avaimen säilytys

Kun offset-avainta ei käytetä, säilytä sitä kuvan osoittamassa paikassa, jotta se ei katoa.

► **Kuva14:** 1. Offset-avain

Pyörösahanterän irrotus ja kiinnitys

HUOMIO: Varmista, että terä on asennettu hampaat sahan etuosassa osoittamaan ylöspäin.

HUOMIO: Käytä pyörösahanterän kiinnittämiseen ja irrottamiseen vain mukana toimitettua Makitan offset-avainta.

Pyörösahanterä irrotetaan painamalla akseliliukko pohjaan niin, että pyörösahanterä ei pääse pyörimään, ja löysäämällä sitten kuusiopulttia offset-avaimella. Irrota sitten kuusiopultti, ulkolaippa, pyörösahanterä ja (maakohtainen) rengas.

► **Kuva15:** 1. Karalukko 2. Offset-avain 3. Löysäävä 4. Kiristä

Työkaluille, jossa ei ole rengasta

► **Kuva16:** 1. Kuusiopultti 2. Ulkolaippa 3. Pyörösahanterä 4. Nuoli pyörösahanterässä 5. Sisälaippa 6. Nuoli työkalussa

Työkaluille, jossa on rengas

► **Kuva17:** 1. Kuusiopultti 2. Ulkolaippa 3. Pyörösahanterä 4. Nuoli pyörösahanterässä 5. Rengas 6. Sisälaippa 7. Nuoli työkalussa

Sahanterä kiinnitetään irrottamiseen nähden päinvas-
taisessa järjestyksessä.

Kohdista pyörösahanterän nuoli työkalussa olevan nuolen suuntaiseksi.

Työkalu, jossa on jokin muu kuin 15,88 mm:n reiällä varustetulle terälle tarkoitettu sisälaippa

Sisälaipan ulkoneman halkaisija on erilainen eri puolilla laippaa. Valitse se puoli, jonka ulkonema sopii pyörösahanterän reikään. Kiinnitä sisälaippa asennusakseliin siten, että haluamasi sisälaipan uloke osoittaa ulospäin, ja aseta pyörösahanterä ja ulkolaippa sitten paikalleen.

► **Kuva18:** 1. Asennusakseli 2. Sisälaippa 3. Pyörösahanterä 4. Ulkolaippa 5. Kuusiopultti

VAROITUS: MUISTA KIRISTÄÄ KUUSIOPULTTI TIUKASTI VASTAPÄIVÄÄN KIERTÄMÄLLÄ. Varo myös kiristämästä pulttia väkisin. Kätesi lipsahtaminen kuusioavaimesta voi aiheuttaa tapaturman.

VAROITUS: Varmista, että sisälaipan ulospäin osoittava ulkonema "a" sopii tarkasti sahanterän reikään "a". Pyörösahanterän asentaminen väärälle puolelle voi aiheuttaa vaarallista tärinää.

Työkalu, jossa on 15,88 mm:n reällä varustettuun sahanterään sopiva sisälaiippa (maakohtainen)

Kiinnitä sisälaiippa akseliin siten, että sen syvennys on ulospäin, ja aseta sitten sahanterä (tarvittaessa renkaan kanssa), ulkoiippa ja kuusiopultti paikalleen.

Työkaluille, jossa ei ole rengasta

- **Kuva19:** 1. Asennusakseli 2. Sisälaiippa
3. Pyörösahterä 4. Ulkoiippa
5. Kuusiopultti

Työkaluille, jossa on rengas

- **Kuva20:** 1. Asennusakseli 2. Sisälaiippa
3. Pyörösahterä 4. Ulkoiippa
5. Kuusiopultti 6. Rengas

VAROITUS: MUISTA KIRISTÄÄ KUUSIOPULTTI TIUKASTI VASTAPÄIVÄÄN KIERTÄMÄLLÄ. Varo myös kiristämästä pulttia väkisin. Kätesi lipsahtaminen kuusioavaimesta voi aiheuttaa tapaturman.

VAROITUS: Jos rengasta tarvitaan pyörösahterän sovitamiseen karalle, varmista aina, että sisä- ja ulkoiippojen väliin on asennettu käytettävän terän akselin reikään sopiva rengas. Vääränlaisen renkaan käyttäminen voi aiheuttaa pyörösahterän virheellisen kiinnityksen, jolloin se pääsee liikkumaan ja tärisee voimakkaasti, minkä seurauksena voi olla työkalun hallinnan menetyks ja vakava henkilövahinko.

Teräsuojuksen puhdistus

Muista pyörösahterän vaihdon yhteydessä puhdistaa terän ylä- ja alasuojus niihin kertyneestä sahanpurusta Kunnossapito-kohdassa kuvatulla tavalla. Tarkista näistä toimenpiteistä huolimatta aina alasuojuksen toiminta ennen jokaista käyttökertaa.

Pölynimurin kytkeminen

Lisävaruste

HUOMAA: Säilytä kumikupua työkalun etuosassa, jotta se ei katoa.

HUOMAA: Kun et käytä pölynimuria, pidä kumikupu pölysuuttimen suojana.

Poista kumikupu pölysuuttimesta ja kiinnitä pölynimurin letku.

- **Kuva21:** 1. Kumisuojus

Jos haluat tehdä sahaustyön siististi, liitä laitteeseesi Makita-pölynimuri. Liitä pölynimurin letku pölysuuttimeen käyttämällä sovitinkappaleita 24.

- **Kuva22:** 1. Pölynimurin letku 2. Sovitinkappale 24
3. Pölysuutin 4. Kumisuojus

TYÖSKENTELY

Tämä työkalu on tarkoitettu vain puutuotteiden leikkaamiseen.

Tarkista leikattavalle materiaalille sopivat pyörösahterät verkkosivuiltamme tai ottamalla yhteyttä paikalliseen Makita-jälleenmyyjään.

Teräsuojuksen toiminnan tarkistaminen

Aseta viistekulmaksi 0° ja vedä sitten alasuojus käsin liikeradan päähän asti ja vapauta se. Alasuojus toimii oikein, jos

- se liikkuu alustan yläpuolelle esteettömästi ja
- se palautuu automaattisesti ja ottaa kiinni pysäyttimeen.

- **Kuva23:** 1. Yläsuojus 2. Alasuojus 3. Alusta
4. Pysäytin 5. Auki 6. Kiinni

Jos alasuojus ei toimi oikein, tarkista, onko ylä- ja alasuojuksien sisälle kertynyt sahanpurua. Jos alasuojus ei toimi oikein sahanpurujen poistamisenkaan jälkeen, huollata työkalu Makita-huollossa.

HUOMIO: Käytä leikatessa hengityssuojainta.

HUOMIO: Työnä työkalua kevyesti suoraan eteenpäin. Työkalun pakottaminen tai vääntäminen johtaa moottorin ylikuumentumiseen ja voi aiheuttaa vaarallisen takapotkun ja vakavia vammoja.

HUOMAA: Jos akku on kylmä, työkalu ei ehkä toimi täydellä teholla. Silloin voit esimerkiksi käyttää työkalua kevyisiin tehtäviin, kunnes akku lämpenee huoneenlämpöiseksi. Tämän jälkeen työkalua voi taas käyttää täydellä teholla.

- **Kuva24**

Ota koneesta luja ote. Laitteessa on sekä etu- että takakahva. Tartu sahaan molemmista. Jos pidät kiinni työkalusta molemmiin käsiin, et voi loukata käsiä terään. Aseta leikkurin pohja leikattavan työkappaleen päälle ilman, että pyörösahterä koskee työkappaleeseen missään kohdassa. Käynnistä sitten työkalu ja odota, kunnes terä saavuttaa täyden nopeuden. Siirrä nyt työkalua eteenpäin työkappaleen pinnan yli pitämällä sitä tasaisena ja edeten sillä tasaisesti, kunnes sahaus on valmis.

Siistien leikkausten saavuttamiseksi, pidä sahauslinja suorana ja etenemisnopeutesi tasaisena. Jos sahaus menee vinoon, älä yritä vääntää tai pakottaa leikkuria oikeaan linjaan. Pyörösahterä voi jumitua ja aiheuttaa vaarallisen takapotkun ja mahdollisesti henkilövammoja. Vapauta liipaisinkytkin ja odota, kunnes terä pysähtyy ja ota sen jälkeen työkalu pois. Kohdista saha uuteen linjaan ja aloita uudestaan. Yritä asettaa sellaiseen kohtaan, jossa et joudu alttiiksi sahasta lentävälle purulle ja lastuille. Käytä suojalaseja vammojen välttämiseksi.

Koukku

▲HUOMIO: Poista akku aina, kun ripustat laitteen koukusta.

▲HUOMIO: Älä koskaan ripusta työkalua korkeisiin paikkoihin tai pinnoille, missä se voi kaatua ja pudota alas. Muuten putoava työkalu voi aiheuttaa vakavia vammoja.

▲HUOMIO: Älä vedä laitetta alaspäin, kun se on koukun varassa.

▲HUOMIO: Käytä ripustus-/kiinnitysosia vain niiden käyttötarkoituksen mukaisesti. Epätarkoituksenmukainen käyttö voi johtaa onnettomuuteen tai henkilövahinkoon.

Laitte voidaan kätevästi ripustaa väliaikaisesti koukkuun. Käytä koukkuja yksinkertaisesti nostamalla sitä, kunnes se napsahtaa avoimeen asemaansa.

Kun et käytä sitä, laske aina koukkuja, kunnes se napsahtaa suljettuun asemaansa.

► **Kuva25:** 1. Koukku 2. Avoin asento 3. Suljettu asento

► **Kuva26**

Halkaisuohjain (ohjaustulkki)

Lisävaruste

Kätevän halkaisuohjaimen (ohjaustulkin) avulla voit leikata tarkasti suorassa linjassa. Siirrä halkaisuohjain tiukasti kiinni työkalupaleen reunaan vasten ja kiristä se paikoilleen pohjan etuosassa olevalla ruuvilla. Näin voit myös leikata peräkkäin useita saman levyisiä kappaleita.

► **Kuva27:** 1. Repeämäohjain (ohjaustulkki)
2. Kiristysruuvi

Turvalliinan (liekaköyden) kiinnittäminen

▲Korkealla työskentelyyn liittyvät varoitukset Lue huolellisesti kaikki turvallisuusvaroitukset ja käyttöohjeet. Varoitusten ja ohjeiden noudattamatta jättäminen voi aiheuttaa vakavia vammoja.

1. Pidä laite aina kiinnitettynä turvalliinan korkealla työskenneltäessä. Käytettävän turvalliinan enimmäispituus on 2 m (6,5 ft). Turvalliinan (liekaköyden) sallima putoamismatka saa olla enintään 2 m (6,5 ft).
2. Käytä vain laitetypille sopivia turvalliinoja, jotka kestävät vähintään 7,0 kg:n (15,4 lbs) kuorman.
3. Älä kiinnitä laitteen turvalliinan toista päätä vartaloosi tai liikkuviin rakenteisiin. Ankkuroi turvalliina kiinteään rakenteeseen, joka kestää laitteen putoamisvoiman.
4. Varmista ennen käyttöä, että turvalliina on kiinnitetty huolellisesti kummastakin päästä.
5. Tarkista ennen käyttöä, että sekä laite että turvalliina (myös kangas ja ompeleet) ovat ehjiä ja että ne toimivat oikein. Älä käytä niitä, jos ne ovat vaurioituneet tai eivät toimi oikein.

6. Älä kiinnitä turvalliinaa terävä- tai karkeareunaisen esineiden ympärille tai päästä sitä koskettamaan niitä.
7. Kiinnitä turvalliinan toinen pää työskentelyalueen ulkopuolelle niin, että turvalliina pysäyttää putoavan laitteen varmasti.
8. Kiinnitä turvalliina niin, että laite liikkuu pois päin käyttäjästä pudotessaan. Putoavien laitteiden aiheuttama turvalliinan kiristyminen voi aiheuttaa vammoja tai tasapainon pettämisen.
9. Älä käytä liikkuvien osien tai käynnissä olevien koneiden lähellä. Ne voivat aiheuttaa puserutus- tai kiinnijääntivaaran.
10. Älä kanna laitetta kiinnitysmekanismista tai turvalliinasta.
11. Siirrä laite kädestäsi toiseen vain, kun asentosi on täysin tasapainoinen.
12. Älä kiinnitä laitteeseen turvalliinoja niin, että ne estävät suojusten, kytkimien tai lukitusten oikean toiminnan.
13. Vältä turvalliinan sotkeutumista.
14. Pidä turvalliina pois laitteen leikkuualueelta.
15. Käytä monivaiheisia ja kiinni ruuvattavia kiinnityssolkia. Älä käytä jousitoimisia yksivaiheisia kiinnityssolkia.
16. Mikäli laite putoaa, se on merkittävä ja poistettava käytöstä, minkä jälkeen se on tarkistuttava Makitan tehtaalla tai valtuutetussa huoltoliikkeessä.

► **Kuva28:** 1. Turvalliinan (liekaköyden) kiinnityskohta

KUNNOSSAPITO

▲HUOMIO: Varmista aina ennen tarkastusta tai huoltoa, että työkalu on sammutettu ja akku irrotettu.

▲HUOMIO: Puhdista ylä- ja alasuojukset ja varmista, ettei niihin ole kertynyt sahanpurua, joka voisi estää alasuojusjärjestelmän toiminnan. Jos suojuksjärjestelmä on likainen, se ei ehkä toimi asianmukaisesti, mikä voi aiheuttaa vakavia vammoja. Tehokkain puhdistustapa on käyttää paineilmaa. Jos suojuksista lentää pölyä, muista aina käyttää asianmukaisia silmä- ja hengityssuojaimia.

▲HUOMIO: Pyyhi sahanpuru laitteesta jokaisen käyttökerran jälkeen. Hieno sahanpuru voi päästä laitteen sisälle ja aiheuttaa toimintahäiriön tai tulipalon.

HUOMAUTUS: Älä koskaan käytä bensiiniä, ohenteita, alkoholia tai tms. aineita. Muutoin pinta voi halkeilla tai sen värit ja muoto voivat muuttua. Muutoin laitteeseen voi tulla värjäytymiä, muodon vääristymiä tai halkeamia.

Tuotteen TURVALLISUUDEN ja LUOTETTAVUUDEN takaamiseksi korjaukset, muut huoltotyöt ja säädöt on teetettävä Makitan valtuutetussa huoltopisteessä Makitan varaosia käyttäen.

0°-leikkaustarkkuuden säätö

Tämä säätö on tehty tehtaalla. Jos säätö ei ole oikea, voit säätää sitä seuraava ohjeen mukaan.

1. Löysää mittaviivaimen levyn vipua kevyesti.
2. Säädä jalusta kohtisuoraan terään nähden käyttämällä kolmio- tai neliöviivainta ja kääntämällä säätöruuvia.
► **Kuva29:** 1. Kolmioviivain 2. Säätöruuvi
3. Kiristä vipu ja suorita testileikkaus pystysuuntaisuuden tarkistamiseksi.

LISÄVARUSTEET

▲HUOMIO: Seuraavia lisävarusteita tai laitteita suositellaan käytettäväksi tässä ohjeessa kuvatun Makita-työkalun kanssa. Muiden lisävarusteiden tai laitteiden käyttö voi aiheuttaa henkilövahinkoja. Käytä lisävarusteita ja -laitteita vain niiden käyttötarkoituksen mukaisesti.

Jos tarvitset apua tai yksityiskohtaisempia tietoja seuraavista lisävarusteista, ota yhteys paikalliseen Makitan huoltoon.

- Pyörösahanteriä
- Offset-avain
- Halkaisuohjain (ohjaustulkki)
- Sovitinkappale 24
- Aito Makitan akku ja laturi

HUOMAA: Jotkin luettelossa mainitut varusteet voivat sisältyä työkalun toimitukseen vakiovarusteina. Ne voivat vaihdella maittain.

SPECIFIKATIONER

Model:	RS001G	
Klindediameter	185 mm	
Maksimal skæredybde	ved 0°	65 mm
	ved 45° skråsnit	45 mm
	ved 53° skråsnit	38 mm
Hastighed uden belastning	6.400 min ⁻¹	
Længde i alt	446 mm	
Mærkespænding	D.C. 36 V - 40 V maks.	
Nettovægt	5,0 - 5,6 kg	

- På grund af vores kontinuerlige forsknings- og udviklingsprogrammer kan hosstående specifikationer blive ændret uden varsel.
- Specifikationer kan variere fra land til land.
- Vægten kan være anderledes afhængigt af tilbehøret, inklusive akkuen. Den letteste og tungeste kombination i henhold til EPTA-procedure 01/2014 er vist i tabellen.

Anvendelig akku og oplader

Akku	BL4025 / BL4040* / BL4050F* * : Anbefalet batteri
Oplader	DC40RA / DC40RB / DC40RC

- Nogle af de akkuer og opladere, der er angivet ovenfor, er muligvis ikke tilgængelige, afhængigt af hvilket område du bor i.

⚠ ADVARSEL: Brug kun de akkuer og opladere, der er angivet ovenfor. Brug af andre akkuer og opladere kan medføre personskaade og/eller brand.

Tilsigtet anvendelse

Denne maskine er beregnet til at lave lige snit i længden og bredden og geringssnit med vinkler i træ med maskinen i tæt berøring med arbejdsstykket.

Støj

Det typiske A-vægtede støjniveau bestemt i overensstemmelse med EN62841-2-5:
Lydtryksniveau (L_{pA}) : 92 dB (A)
Lydeffektniveau (L_{WA}) : 103 dB (A)
Usikkerhed (K): 3 dB (A)

BEMÆRK: De(n) angivne støjemissionsværdi(er) er målt i overensstemmelse med en standardtestmetode og kan anvendes til at sammenligne en maskine med en anden.

BEMÆRK: De(n) angivne støjemissionsværdi(er) kan også anvendes i en præliminær eksponeringsvurdering.

⚠ ADVARSEL: Bær høreværn.

⚠ ADVARSEL: Støjemissionen under den faktiske anvendelse af maskinen kan være forskellig fra de(n) angivne værdi(er), afhængigt af den måde hvorpå maskinen anvendes, især den type arbejdsemne der behandles.

⚠ ADVARSEL: Sørg for at identificere de sikkerhedsforskrifter til beskyttelse af operatøren, som er baseret på en vurdering af eksponering under de faktiske brugsforhold (med hensyntagen til alle dele i brugscyklussen, f.eks. de gange, hvor maskinen er slukket, og når den kører i tomgang i tilgift til afbrydertiden).

Vibration

Vibrationens totalværdi (tre-aksial vektorsum) bestemt i overensstemmelse med EN62841-2-5:
Arbejdstilstand: skæring i træ
Vibrationsemission ($a_{h,W}$): 2,5 m/s² eller mindre
Usikkerhed (K): 1,5 m/s²

BEMÆRK: De(n) angivne totalværdi(er) for vibration er målt i overensstemmelse med en standardtestmetode og kan anvendes til at sammenligne en maskine med en anden.

BEMÆRK: De(n) angivne totalværdi(er) for vibration kan også anvendes i en præliminær eksponeringsvurdering.

⚠ ADVARSEL: Vibrationsemissionen under den faktiske anvendelse af maskinen kan være forskellig fra de(n) angivne værdi(er), afhængigt af den måde hvorpå maskinen anvendes, især den type arbejdsemne der behandles.

⚠ ADVARSEL: Sørg for at identificere de sikkerhedsforskrifter til beskyttelse af operatøren, som er baseret på en vurdering af eksponering under de faktiske brugsforhold (med hensyntagen til alle dele i brugscyklussen, f.eks. de gange, hvor maskinen er slukket, og når den kører i tomgang i tilgift til afbrydertiden).

EF-overensstemmelseserklæring

Kun for lande i Europa

EF-overensstemmelseserklæringen er inkluderet som Bilag A i denne brugsanvisning.

SIKKERHEDSADVARSLER

Almindelige sikkerhedsregler for el-værktøj

⚠ ADVARSEL: Læs alle de sikkerhedsadvarsler, instruktioner, illustrationer og specifikationer, der følger med denne maskine. Forsømmelse af at overholde alle nedenstående instruktioner kan medføre elektrisk stød, brand og/eller alvorlig personskade.

Gem alle advarsler og instruktioner til fremtidig reference.

Ordet "el-værktøj" i advarslerne henviser til det netforsyede (netledning) el-værktøj eller batteriforsyede (akku) el-værktøj.

Sikkerhedsadvarsler for ledningsfri rundsav

Fremgangsmåder for skæring

- ⚠ FARE:** Hold hænderne på god afstand af skæreamrådet og klingens. Hold den anden hånd på hjælpehåndtaget eller motorhuset. Hvis De holder saven med begge hænder, kan klingens ikke komme til at skære i dem.
- Ræk ikke ned under arbejdsemnet.** Beskyttelsesskærmen kan ikke beskytte Dem mod klingens neden under arbejdsemnet.
- Justér skæredybden efter tykkelsen af arbejdsemnet.** Mindre end en hel tand i klingetænderne bør være synlig under arbejdsemnet.
- Hold aldrig arbejdsemnet i hænderne eller hen over benet, mens der skæres.** Fastgør arbejdsemnet til en stabil platform. Det er vigtigt at understøtte arbejdsemnet korrekt for at minimere risikoen for udsættelse af kroppen, binding af klingens eller tab af kontrollen.

► Fig.1

5. **Hold maskinen i dens isolerede gribeblader, når du udfører et stykke arbejde, hvor skæreværktøjet kan komme i berøring med skjulte ledninger.** Kontakt med en strømførende ledning vil bevirke, at blottede metaldele på maskinen også bliver strømførende, hvorved operatøren kan få stød.
6. **Ved kløvning skal der altid anvendes et parallelslag eller en lige styreskinne.** Dette vil forbedre nøjagtigheden af snittet og mindske risikoen for, at klingens binder.
7. **Brug altid klinger med aksehuller af den korrekte størrelse og form (kantede eller runde).** Klinger, der ikke svarer til savens monteringsdele, vil rotere skævt, så du mister kontrollen.
8. **Anvend aldrig beskadigede eller forkerte spændeskiver og bolte til klingens.** Klingens spændeskiver og bolte er specielt fremstillede til Deres sav og til optimal ydelse og sikker anvendelse.

Årsager til tilbageslag og relaterede advarsler

- Tilbageslag er en pludselig reaktion på en fastklemt, fastsiddende eller forært justeret savklinge, som kan medføre, at en ukontrolleret sav løftes opad og ud af arbejdsemnet i retning mod operatøren.
- Når klingens kommer i klemme eller sidder fast, fordi savsnittet lukkes sammen, stopper klingens, og motorreaktionen skubber apparatet hurtigt tilbage mod operatøren.
- Hvis klingens bliver bøjet eller fejljusteret i snittet, kan tænderne på bagkanten af klingens grave sig ind i træets øverste overflade, hvorved klingens kan smutte ud af savsnittet og springe tilbage i retning mod operatøren.

Tilbageslag skyldes forkert anvendelse af savens og/eller forkert fremgangsmåde for anvendelse eller forkerte forhold og kan undgås ved, at der træffes de rigtige forholdsregler som vist herunder.

1. **Oprethold et fast greb med begge hænder på savens, og hold armene således, at tilbageslagskraften modvirkes.** Stil Dem på siden af klingens, men ikke på linje med den. Tilbageslag kan bevirke, at savens springer bagud, men tilbageslagskraften kan kontrolleres af operatøren, hvis denne træffer de fornødne forholdsregler.
2. **Hvis klingens binder, eller hvis skæringen af en eller anden årsag afbrydes, skal De slippe afbryderknappen og holde savens stille i materialet, indtil klingens er standset helt.** Forsøg aldrig at fjerne savens fra arbejdsemnet eller at trække savens bagud, mens klingens er i bevægelse, da dette kan medføre tilbageslag. Undersøg situationen, og træf afhjælpningsforanstaltninger for at eliminere årsagen til, at klingens binder.
3. **Når savens startes igen i arbejdsemnet, skal du centrere savklingens i savsnittet, så savtænderne ikke sidder fast i emnet.** Hvis savklingens binder, kan den bevæge sig opad eller slå tilbage fra arbejdsemnet, når savens startes igen.
4. **Anvend store støtteplader til at minimere risikoen for fastklemning af klingens og tilbageslag.** Store plader har tendens til at synke under deres egen vægt. Der skal anbringes støtter under pladerne i begge sider, i nærheden af skærelinjen og nær kanten af pladen.

► Fig.2

► Fig.3

5. **Anvend ikke sløve eller beskadigede klinger.** Uskarpe eller forkert monterede klinger frembringer et snævert savsnit, som medfører kraftig friktion, binding af klingens og tilbageslag.
6. **Låsegrebene til klingedybde og skråsnitindstilling skal være stramme og sikre, inden skæringen påbegyndes.** Hvis klingendstillingen ændrer sig under skæringen, kan der opstå binding og tilbageslag.
7. **Vær særlig forsigtig, når der saves ind i eksisterende vægge eller andre skjulte områder.** Savklingen, som stikker frem, kan komme til at skære i genstande, der kan medføre tilbageslag.
8. **Hold ALTID fast i maskinen med begge hænder. Placér ALDRIG Deres hånd, ben eller nogen del af kroppen under maskinens grundplade eller bag ved saven, især når De foretager krydssnit.** Hvis der opstår tilbageslag, kan saven nemt springe bagud over Deres hånd, hvorved der kan ske alvorlig personskade.

► Fig.4

9. **Pres aldrig saven. Tryk saven fremad med en hastighed, så klingens skærer, uden at hastigheden sænkes.** Hvis De presser saven, kan der opstå uensartede skæringer, tab af præcision og muligt tilbageslag.

Beskyttelsesskærmens funktion

1. **Kontroller, at den nederste beskyttelsesskærm lukker korrekt inden hver brug. Anvend ikke saven, hvis den nederste beskyttelsesskærm ikke bevæger sig frit og lukker med det samme. Den nederste beskyttelsesskærm må aldrig fastspændes eller fastbindes i den åbne stilling.** Hvis saven ved et uheld tabes, kan den nederste beskyttelsesskærm blive bøjet. Hæv den nederste beskyttelsesskærm med tilbagestrækningshåndtaget og kontroller, at den bevæger sig frit og ikke kommer i berøring med klingens eller andre dele i alle vinkler og skæredybder.
2. **Kontroller den nederste beskyttelsesskærmfjederens funktion. Hvis beskyttelsesskærmen og fjederen ikke fungerer korrekt, skal de serviceres inden brugen.** Den nederste beskyttelsesskærm kan fungere trægt på grund af beskadigede dele, gummi aflejringer eller ansamling af affaldsstoffer.
3. **Den nederste beskyttelsesskærm må kun trækkes tilbage manuelt i tilfælde af specielt snit som for eksempel "stikssnit" eller "kombinerede snit".** Hæv den nederste beskyttelsesskærm ved at trække håndtaget tilbage, og så snart klingens går ind i materialet, bør den nederste beskyttelsesskærm slippes. Ved alle andre former for savning skal den nederste beskyttelsesskærm have lov at bevæge sig automatisk.
4. **Sørg altid for, at den nederste beskyttelsesskærm dækker klingens, inden saven anbringes på bænk eller gulv.** En ubeskyttet, roterende klinge vil bevirke, at saven bevæger sig bagud og skærer i alt, hvad der er i dens bane. Vær opmærksom på den tid, det tager for klingens at stoppe, efter at afbryderen er sluppet.

5. **For at kontrollere den nederste beskyttelsesskærm, skal man åbne den med hånden og derefter slippe den og bekræfte lukningen af skærmen.** Kontroller ligeledes, at tilbagestrækningshåndtaget ikke kommer i berøring med maskinhuset. At efterlade klingens synlig er MEGET FARLIGT og kan føre til alvorlig personskade.

Supplerende sikkerhedsforskrifter

1. **Vær ekstra forsigtig, hvis De skærer i fugtigt træ, trykbehandlet tømmer eller træ, som har knaster.** Før maskinen jævnt frem uden at mindske klingens hastighed, således at overophedning af klingens takker undgås.
2. **Forsøg ikke at fjerne afskåret materiale, mens klingens roterer. Vent, indtil klingens er standset, inden De fjerner afskåret materiale.** Klingens fortsætter med at rotere, efter at der er slukket for maskinen.
3. **Undgå at skære i søm. Se efter, om der er søm i tømmeret, og fjern alle søm, inden skæringen påbegyndes.**
4. **Anbring den bredeste del af savgrundpladen på den del af arbejdsområdet, som er solidt understøttet, ikke på den del, som vil falde af, når skæringen er fuldført. Hvis arbejdsområdet er kort eller lille, skal det spændes fast. FORSØG IKKE AT HOLDE KORTE ARBEJDSOMRÅDER FAST MED HÅNDEN!**

► Fig.5

5. **Inden De lægger maskinen fra Dem efter at have fuldført en skæring, skal De sikre Dem, at beskyttelsesskærmen er lukket, og at klingens er standset fuldstændigt.**
6. **Forsøg aldrig at save med rundsaven holdt på hovedet i en skruevinge. Dette er yderst farligt og kan føre til alvorlige ulykker.**

► Fig.6

7. **Noget materiale indeholder kemikalier, som kan være giftige. Vær påpasselig med ikke at indand støv, og undgå hudkontakt. Følg fabrikkantens sikkerhedsdata.**
8. **Stop ikke klingerne ved hjælp af lateralt tryk på savklingen.**
9. **Anvend ikke slibeskiver.**
10. **Anvend kun savklinger med den diameter, der er markeret på maskinen eller specificeret i manualen.** Brug af en klinge med en forkert størrelse kan hindre korrekt afskærmning af klingens eller beskyttelsesskærmens funktion, hvilket kan medføre alvorlig personskade.
11. **Hold altid klingens skarp og ren.** Gummi og træbeg, som er størknet på klingens, gør saven langsommere og øger risikoen for tilbageslag. Hold altid klingens ren ved først at tage den af maskinens og derefter rengøre den med en gummi- og begfjerner, varmt vand eller petroleum. Anvend aldrig benzin.
12. **Bær altid støvmaske og høreværn, når De anvender maskinen.**
13. **Brug altid en savklinge, der er beregnet til at skære i det materiale, du skal skære i.**
14. **Brug kun savklinger, der er mærket med en hastighed svarende til eller større end den hastighed, der er angivet på maskinen.**

15. (Kun for lande i Europa)
Brug altid en Klinge, der overholder EN847-1.
16. Placer maskinen og delene på en flad og stabil overflade. Ellers kan maskinen eller delene muligvis falde ned og forårsage personskade.

GEM DISSE FORSKRIFTER.

⚠ ADVARSEL: LAD IKKE bekvemmelighed eller kendskab til produktet (opnået gennem gentagen brug) forhindre, at sikkerhedsforskrifterne for produktet nøje overholdes. MISBRUG eller forsømmelse af at følge de i denne brugsvejledning givne sikkerhedsforskrifter kan medføre alvorlig personskade.

Vigtige sikkerhedsinstruktioner for akkuen

1. Læs alle instruktioner og advarselmærkater på (1) akku-opladeren, (2) akkuen og (3) produktet, som anvender akku.
2. Adskil eller ændr ikke akkuen. Det kan muligvis resultere i en brand, overdreven varme eller eksplosion.
3. Hold straks op med anvendelsen, hvis brugstiden er blevet stærkt afkortet. Fortsat anvendelse kan resultere i risiko for overophedning, forbrændinger og endog eksplosion.
4. Hvis De har fået elektrolytvæske i øjnene, skal De straks skylle den ud med rent vand og derefter øjeblikkeligt søge lægehjælp. I modsat fald kan De miste synet.
5. Vær påpasselig med ikke at komme til at kortslutte akkuen:
 - (1) Rør ikke ved terminalerne med noget ledende materiale.
 - (2) Undgå at opbevare akkuen i en beholder sammen med andre genstande af metal, for eksempel søm, mønter og lignende.
 - (3) Udsæt ikke akkuen for vand eller regn. Kortslutning af akkuen kan forårsage en kraftig øgning af strømmen, overophedning, mulige forbrændinger og endog værktøjstop.
6. Opbevar og brug ikke maskinen og akkuen på steder, hvor temperaturen muligvis kan nå eller overstige 50 °C.
7. Lad være med at brænde akkuen, selv ikke i tilfælde, hvor den har lidt alvorlig skade eller er fuldstændig udtjent. Akkuen kan eksplodere, hvis man forsøger at brænde den.
8. Slå ikke søm i, skær ikke i, knus, kast, båd ikke akkuen og stød ikke akkuen mod en hård genstand. Sådant adfærd kan muligvis resultere i en brand, overdreven varme eller eksplosion.
9. Anvend ikke en beskadiget akku.
10. De indbyggede litium-ion-batterier er underlagt lovkrav vedrørende farligt gods. Ved kommerciel transport, f.eks. af tredjeparts transportselskaber, skal særlige krav til forpakning og mærkning overholdes. Ved forberedelse af udstyret til forsendelse skal du kontakte en ekspert i farligt gods. Overhold også eventuel mere detaljeret national lovgivning. Tape eller tildæk åbne kontakter, og pak batteriet på en måde, så det ikke kan flytte sig rundt i pakningen.

11. Når akkuen bortskaffes, skal du fjerne den fra maskinen og bortskaffe den på et sikkert sted. Følg de lokale love vedrørende bortskaffelsen af batterier.
12. Brug kun batterierne med de produkter, som Makita specificerer. Hvis batterierne installeres i ikke-kompatible produkter, kan det medføre brand, kraftig varme, eksplosion eller udsivning af elektrolyt.
13. Hvis maskinen ikke skal bruges i længere tid ad gangen, skal du fjerne batteriet fra maskinen.
14. Akkuen kan muligvis under og efter brug være varm, hvilket kan forårsage forbrændinger eller lavtemperaturforbrændinger. Vær påpasselig med håndtering af varme akkuer.
15. Rør ikke terminalen på maskinen straks efter brug, da den bliver varm nok til at forårsage forbrændinger.
16. Sørg for at spåner, støv eller jord ikke sætter sig fast inde i terminalerne, hullerne og rillerne på akkuen. Det kan muligvis medføre dårlig ydelse eller nedbrud af maskinen eller akkuen.
17. Medmindre maskinen understøtter brugen i nærheden af elektriske højspændingsledninger, skal du ikke anvende akkuen i nærheden af elektriske højspændingsledninger. Det kan muligvis medføre funktionsfejl på eller nedbrud af maskinen eller akkuen.
18. Opbevar batteriet utilgængeligt for børn.

GEM DENNE BRUGSANVISNING.

⚠ FORSIGTIG: Brug kun originale batterier fra Makita. Brug af uoriginale Makita-batterier, eller batterier som er blevet ændret, kan muligvis medføre brud på batteriet, hvilket kan forårsage brand, personskade eller beskadigelse. Det ugyldiggør også Makita-garantien for Makita-maskinen og opladeren.

Tips til opnåelse af maksimal akku-levetid

1. Oplad akkuen, inden den er helt afladet. Stop altid værktøjet, og oplad akkuen, hvis De bemærker, at værktøjeffekten er aftagende.
2. Genoplad aldrig en fuldt opladet akku. Overopladning vil afkorte akkuens levetid.
3. Oplad akkuen ved stuetemperatur ved 10 °C - 40 °C. Lad altid en varm akku få tid til at køle af, inden den oplades.
4. Når du ikke anvender akkuen, skal du fjerne den fra maskinen eller opladeren.
5. Oplad akkuen, hvis De ikke skal bruge den i længere tid (mere end seks måneder).

FUNKTIONSBESKRIVELSE

⚠️ FORSIGTIG: Sørg altid for at maskinen er slukket, og at akkuen er taget ud, før der udføres justering eller kontrol af funktioner på maskinen.

Isætning eller fjernelse af akkuen

⚠️ FORSIGTIG: Sluk altid for værktøjet, før De monterer eller fjerner akkuen.

⚠️ FORSIGTIG: Hold værktøjet og akkuen fast ved montering eller fjernelse af akkuen. Hvis De ikke holder værktøjet og akkuen fast, kan de glide ud af hænderne på Dem og forårsage beskadigelse af værktøjet og akkuen eller personskade.

⚠️ FORSIGTIG: Undlad at bruge batteriadapteren sammen med rundsaven. Ledningen til batteriadapteren kan hindre brugen og forårsage personskade.

► Fig.7: 1. Rød indikator 2. Knap 3. Akku

Akkuen fjernes ved, at De trækker den ud af værktøjet, idet De skyder knappen på forsiden af akkuen i stilling.

Akkuen monteres ved, at De sætter tungen på akkuen ud for noten i kabinettet og lader den glide på plads. Sæt den hele vejen ind, så den låses på plads med et lille klik. Hvis den røde indikator på oversiden af knappen er synlig, betyder det, at den ikke er tilstrækkeligt låst.

⚠️ FORSIGTIG: Monter altid akkuen helt, indtil den røde indikator ikke længere er synlig. Hvis dette ikke gøres, kan den falde ud af værktøjet ved et uheld, hvorved De selv eller personer i nærheden kan komme til skade.

⚠️ FORSIGTIG: Brug ikke magt ved montering af akkuen. Hvis akkuen ikke glider på plads uden problemer, betyder det, at den ikke sættes i på korrekt vis.

Beskyttelsessystem til værktøj/batteri

Værktøjet er forsynet med et beskyttelsessystem til værktøj/batteri. Dette system afbryder automatisk strømmen til motoren for at forlænge levetiden for værktøjet og batteriet. Værktøjet stopper automatisk under driften, hvis det eller batteriet kommer i en af følgende situationer. I nogle tilfælde lyser indikatorerne.

Overbelastningsbeskyttelse

Hvis maskinen/batteriet bruges på en måde, der får den/det til at trække en unormalt høj strøm, stopper maskinen automatisk. I denne situation skal du slukke for maskinen og stoppe den anvendelse, som bevirkede, at maskinen blev overbelastet. Tænd derefter for maskinen for at starte igen.

Beskyttelse mod overophedning

Hvis maskinen/batteriet er overophedet, stopper maskinen automatisk. Lad i så fald maskinen køle ned, før der tændes for maskinen igen.

Beskyttelse mod afladning

Når batteriladningen bliver for lav, stopper værktøjet automatisk. Hvis produktet ikke fungerer, selvom kontakterne betjenes, skal De tage batterierne ud af værktøjet og lade batterierne op.

Indikation af den resterende batteriladning

Tryk på kontrolknappen på akkuen for at få vist den resterende batteriladning. Indikatorlampen lyser i nogle sekunder.

► Fig.8: 1. Indikatorlamper 2. Kontrolknap

Indikatorlamper			Resterende ladning
Tændt	Slukket	Blinker	
■	□	◐	75% til 100%
■ ■ ■ ■			
■ ■ ■ □			50% til 75%
■ ■ □ □			
■ □ □ □			25% til 50%
■ □ □ □			
◐ □ □ □			0% til 25%
◐ □ □ □			
◐ □ □ □			Genoplad batteriet.
◐ □ □ □			
■ ■ □ □			Der er muligvis fejl i batteriet.
□ □ ■ ■			
		↑ ↓	
□ □ ■ ■			

BEMÆRK: Afhængigt af brugsforholdene og den omgivende temperatur kan indikationen afvige en smule fra den faktiske ladning.

BEMÆRK: Den første indikatorlampe (længst mod venstre) vil blinke, når batteribeskyttelsessystemet aktiveres.

Funktion til automatisk hastighedsændring

Denne maskine har en "høj hastighedstilstand" og en "høj momenttilstand".

Maskinen skifter automatisk funktionstilstand afhængigt af arbejdsbelastningen. Når arbejdsbelastningen er lav, kører maskinen i "høj hastighedstilstand" for hurtigere skæringsfunktion. Når arbejdsbelastningen er høj, kører maskinen i "høj momenttilstand" for kraftig skæringsfunktion.

Justering af skæredybde

⚠️ FORSIGTIG: Spænd altid håndtaget forsvarligt til efter justering af skæredybden.

Løsn håndtaget på dybdeguiden og flyt grundpladen op og ned. Ved den ønskede skæredybde gøres grundpladen fast ved at spænde håndtaget til.

Renere og sikrere snit kan opnås, hvis man indstiller skæredybden således, at ikke flere end en enkelt savtand stikker ud under arbejdsstykket. Anvendelse af en rigtig skæredybde bidrager til at reducere risikoen for farlige TILBAGESLAG, som kan medføre personskade.

► Fig.9: 1. Håndtag

Skråsnit

⚠️FORSIGTIG: Spænd altid håndtaget forsvarligt til efter justering af skråsnitsvinklen.

Løsn håndtaget, og indstil den ønskede vinkel ved at vippe tilsvarende, og stram derefter håndtaget godt til.

► Fig.10: 1. Håndtag

Positiv stopper

Den positive stopper er nyttig til hurtig indstilling af den ønskede vinkel. Drej den positive stopper, så pilen på den peger til på den ønskede skråsnitsvinkel (omkring 22,5°/45°/53°). Løsn håndtaget, og vip derefter maskinens grundplade, indtil den stopper. Den position, hvor maskinens grundplade stopper, er den vinkel, du har indstillet med den positive stopper. Stram håndtaget med maskinens grundplade i denne position.

► Fig.11: 1. Positiv stopper

Indstilling

Ved lige snit rettes 0°-positionen på forkanten af grundpladen ind efter skærelinjen. Ved 45° skråsnit rettes 45°-positionen ind efter den.

► Fig.12: 1. Skærelinje (0°-position) 2. Skærelinje (45°-position)

Afbryderbetjening

⚠️ADVARSEL: Inden akkuen sættes i maskinen, bør De altid kontrollere, at afbryderknappen fungerer korrekt, og returnerer til "OFF"-positionen, når den slippes.

⚠️ADVARSEL: Omgå ALDRIG lås fra-knappens funktion ved at tape den fast eller på andre måder. En afbryder med en blokeret lås fra-knap kan medføre utilsigtet funktion og alvorlig personskaade.

⚠️ADVARSEL: Brug ALDRIG maskinen, hvis den kører, når du blot trykker på afbryderknappen uden at trykke på lås fra-knappen. En afbryder, der skal repareres, kan medføre utilsigtet funktion og alvorlig personskaade. Returner maskinen til et Makita-servicecenter for nødvendige reparationer INDEN yderligere brug.

⚠️FORSIGTIG: Maskinen begynder med det samme at bremse rundsavsklingens bevægelse, når du slipper afbryderknappen. Hold godt fast i maskinen for at reagere på bremsereaktionen, når du slipper afbryderknappen. Pludselig reaktion kan kaste maskinen ud af hånden på dig og medføre personskaade.

For at forhindre utilsigtet indtrykning af afbryderknappen er maskinen udstyret med en lås fra-knap. For at starte maskinen skal man trykke lås fra-knappen ind og trykke på afbryderknappen. Slip afbryderknappen for at stoppe.

► Fig.13: 1. Afbryderknap 2. Lås fra-knap

BEMERKNING: Tryk ikke hårdt på afbryderkontakten uden først at trykke aflåseknappen ind. Dette kan ødelægge afbryderkontakten.

Elektrisk bremse

Maskinen har en elektrisk klingebræmse. Hvis maskinen konsekvent ikke stopper rundsavsklingen hurtigt, når kontakthåndtaget slippes, skal der udføres service på maskinen på et Makita servicecenter.

⚠️FORSIGTIG: Klingebremsesystemet er ikke en erstatning for en beskyttelseskærm. ANVEND ALDRIG MASKINEN UDEN EN FUNGERENDE BESKYTTELSSESKÆRM. DETTE KAN MEDFØRE ALVORLIG PERSONSKADE.

Elektronisk funktion

Maskiner, der er udstyret med elektronisk funktion, er nemme at betjene på grund af følgende funktion(er).

Funktion til blød start

Blød start, fordi ryk ved start dæmpes.

SAMLING

⚠️FORSIGTIG: Sørg altid for at maskinen er slukket, og at akkuen er taget ud, før der udføres noget arbejde på maskinen.

Opbevaring af forkrøppet skruenøgle

Når den forkrøppede skruenøgle ikke bruges, skal du opbevare den som vist i figuren for at forhindre, at den bliver væk.

► Fig.14: 1. Forkrøppet skruenøgle

Afmontering eller montering af rundsavsklinge

⚠️FORSIGTIG: Sørg for at montere rundsavsklingen med dens tænder vendende opad på den forreste del af maskinen.

⚠️FORSIGTIG: Anvend kun den forkrøppede skruenøgle fra Makita til montering og afmontering af rundsavsklingen.

For at afmontere rundsavsklingen skal du trykke skaftlåsen helt ind, så rundsavsklingen ikke kan rotere, og bruge den forkrøppede skruenøgle til at løsne sekskant-bolten. Fjern derefter sekskantbolten, den ydre flange, rundsavsklingen og ringen (landespecifik).

► Fig.15: 1. Skaftlås 2. Forkrøppet skruenøgle 3. Løs 4. Stram

Til maskiner uden ring

► Fig.16: 1. Sekskantbolt 2. Ydre flange 3. Rundsavsklinge 4. Pil på rundsavsklingen 5. Indre flange 6. Pil på maskinen

Til maskiner med ring

► Fig.17: 1. Sekskantbolt 2. Ydre flange 3. Rundsavsklinge 4. Pil på rundsavsklingen 5. Ring 6. Indre flange 7. Pil på maskinen

For at montere rundsavsklingen, skal du følge proceduren for afmontering i modsat rækkefølge.

Ret retningen af pilen på rundsavsklingen ind med pilen på maskinen.

Til maskiner med den indre flange til savklinger med en anden hulddiameter end 15,88 mm

Den indre flange har et fremspring med en bestemt diameter på den ene side og et fremspring med en anden diameter på den anden side. Vælg den rigtige side, hvor fremspringet passer perfekt ind i hullet på rundsavsklingen. Monter den indre flange på monteringskaffet, så den rigtige side af fremspringet på den indre flange vender udad, og placer derefter rundsavsklingen og den ydre flange.

- **Fig.18:** 1. Monteringskaffet 2. Indre flange
3. Rundsavsklinge 4. Ydre flange 5. Sekskantbolt

⚠ADVARSEL: SØRG FOR AT SPÆNDE SEKSKANTBOLTEN FAST TIL I RETNINGEN MOD URET. Pas også på ikke at tilspænde bolten for kraftigt. Hvis din hånd glider af unbrakonøglen, kan det medføre personskade.

⚠ADVARSEL: Sørg for, at fremspringet "a" på den indre flange, der er placeret på ydersiden, passer perfekt ind i hullet "a" på savklingen. Hvis rundsavsklingen monteres på den forkerte side, kan det medføre farlig vibration.

Til maskiner med den indre flange til savklinger med en hulddiameter på 15,88 mm (landespecifikt)

Monter den indre flange med siden med fordybningen udad på monteringskaffet, og placer derefter savklingen (med ringen monteret, hvis det er nødvendigt), den ydre flange og sekskantbolt.

Til maskiner uden ring

- **Fig.19:** 1. Monteringskaffet 2. Indre flange
3. Rundsavsklinge 4. Ydre flange 5. Sekskantbolt

Til maskiner med ring

- **Fig.20:** 1. Monteringskaffet 2. Indre flange 3. Rundsavsklinge
4. Ydre flange 5. Sekskantbolt 6. Ring

⚠ADVARSEL: SØRG FOR AT SPÆNDE SEKSKANTBOLTEN FAST TIL I RETNINGEN MOD URET. Pas også på ikke at tilspænde bolten for kraftigt. Hvis din hånd glider af unbrakonøglen, kan det medføre personskade.

⚠ADVARSEL: Hvis ringen er nødvendig for at montere rundsavsklingen på spindelen, skal du altid sikre dig, at den korrekte ring til klingens akselhul, som du vil anvende, er installeret mellem de indre og ydre flanger. Brug af den forkerte ring til akselhullet kan medføre forkert montering af rundsavsklingen, hvilket kan forårsage, at klingens bevæger sig, og kraftig vibration, hvilket kan medføre tab af kontrollen under brug og alvorlig personskade.

Rengøring af beskyttelsesskærmen

Når rundsavsklingen udskiftes, skal du også sørge for at rengøre den øverste og nederste beskyttelsesskærm for ophobet savsmuld, som omtalt i afsnittet Vedligeholdelse. Sådanne tiltag erstatter ikke nødvendigheden af at den nederste beskyttelsesskærms funktionsgang kontrolleres inden hver brug.

Tilslutning af en støvsuger

Ekstraudstyr

BEMÆRK: Opbevar gummihætten foran på maskinen for at undgå, at den bliver væk.

BEMÆRK: Når støvsugeren ikke bruges, skal du sætte gummihætten på støvmundstykket.

Fjern gummihætten fra støvmundstykket, og tilslut støvsugerslangen.

- **Fig.21:** 1. Gummihætte

Når du ønsker at udføre savning, uden at det snarviser så meget, kan du tilslutte en Makita-støvsuger til maskinen. Slut støvsugerens slange til støvmundstykket ved hjælp af den forreste manchete 24.

- **Fig.22:** 1. Støvsugerens slange 2. Forreste manchete 24 3. Støvmundstykke 4. Gummihætte

ANVENDELSE

Denne maskine er kun beregnet til at skære i træprodukter.

Se vores websted, eller kontakt den lokale Makita-forhandler angående de korrekte rundsavsklinger, der skal bruges til det materiale, der skal skæres.

Kontrol af beskyttelsesskærmens funktion

Indstil skråsnitsvinklen til 0°, og træk derefter den nederste beskyttelsesskærm manuelt til enden og slip den. Den nederste beskyttelsesskærm fungerer korrekt, hvis:

- den trækkes over grundpladen uden nogen hindring og,
- den automatisk vender tilbage og får kontakt med stopperen.

- **Fig.23:** 1. Øverste beskyttelsesskærm 2. Nederste beskyttelsesskærm 3. Grundplade 4. Stopper 5. Åbn 6. Luk

Hvis den nederste beskyttelsesskærm ikke fungerer ordentligt, skal du kontrollere, om savstøv er akkumuleret inde i de øverste og nederste beskyttelsesskærme. Hvis den nederste beskyttelsesskærm ikke fungerer ordentligt, selv efter at have fjernet støvet, skal der udføres service på maskinen på et Makita servicecenter.

⚠FORSIGTIG: Bær støvmaske under udførelse af skærearbejdet.

⚠FORSIGTIG: Sørg for at føre maskinen forsigtigt frem i en lige linje. Hvis maskinen tvinges eller drejes, vil resultatet blive overophedning af motoren og farligt tilbageslag med risiko for alvorlig personskade.

BEMÆRK: Når akkuens temperatur er lav, arbejder maskinen muligvis ikke med fuld kapacitet. På dette tidspunkt kan du for eksempel anvende maskinen til et lettere snit i et stykke tid, indtil akkuen bliver lige så varm som rumtemperaturen. Derefter kan maskinen arbejde med dens fulde kapacitet.

Hold godt fast i maskinen. Maskinen er udstyret med både et fronthåndtag og et baghåndtag. Anvend begge, så det bedste greb om maskinen opnås. Hvis du holder i maskinen med begge hænder, kan du ikke skære hænderne på rundsavsklingen. Indstil grundpladen på arbejdssemnet til skæring uden at rundsavsklingen kommer i kontakt. Tænd derefter for maskinen og vent indtil rundsavsklingen er kommet op på fuld hastighed. Bevæg nu ganske enkelt maskinen fremad og hen over arbejdssemnets overflade, idet du holder den fladt og fremfører den jævnt, indtil savningen er fuldført. For at opnå rene snit, skal du holde savelinjen lige og fremføringshastigheden jævn. Hvis snittet ikke følger din planlagte skærelinje på korrekt vis, må du ikke forsøge at dreje eller tvinge maskinen tilbage til skærelinjen. Dette kan lase rundsavsklingen og føre til farlige tilbageslag og eventuel alvorlig personskade. Slip afbryderen og vent til rundsavsklingen er stoppet, og træk derefter maskinen tilbage. Sæt maskinen ud for en ny skærelinje og begynd at save igen. Prøv at undgå en placering, som udsætter operatøren for spåner og savsmuld, som frembringes af saven. Anvend øjenbeskyttelse, så tilskadekomst undgås.

Krog

⚠️FORSIGTIG: Tag altid batteriet ud, når du hænger maskinen på krogen.

⚠️FORSIGTIG: Hæng aldrig maskinen på krogen på højtliggende steder eller på overflader, hvor maskinen kan miste balancen og falde ned. Ellers kan der opstå en faldulykke og forårsage alvorlig personskade.

⚠️FORSIGTIG: Træk ikke nedad i maskinen, når den hænger på krogen.

⚠️FORSIGTIG: Brug kun ophængnings-/monteringsdele til deres tilsigtede formål. Brug til utilsigtede formål kan medføre en ulykke eller alvorlig personskade.

Krogen er praktisk til midlertidig ophængning af maskinen. For at benytte krogen skal du blot løfte krogen opad, indtil den klikker på plads i den åbne stilling. Sænk altid krogen, indtil den klikker på plads i den lukkede stilling, når den ikke benyttes.

► Fig.25: 1. Krog 2. Åben stilling 3. Lukket stilling

► Fig.26

Parallelanslag (styrepind)

Ekstraudstyr

Det praktiske parallelanslag gør det muligt for dig at udføre særligt nøjagtige lige snit. Du behøver blot at trykke parallelanslaget helt op mod siden af arbejdssemnet og fastgøre det i stilling med skruen foran på grundpladen. Det muliggør også gentagen savning med ens bredde.

► Fig.27: 1. Parallelanslag (styrepind)
2. Spændeskruer

Montering af tøjresnor (sikkerhedsline)

⚠️Specifikke sikkerhedsadvarsler for brug på høje steder

Læs alle sikkerhedsadvarsler og instruktioner. Hvis alle advarsler og instruktioner ikke følges, kan det medføre alvorlig personskade.

1. Hold altid maskinen tøjret, når du arbejder "i højden". Tøjresnoren maksimale længde er 2 m. Den maksimale tilladelige faldhøjde for tøjresnoren (sikkerhedslinen) må ikke overstige 2 m.
 2. Brug kun sammen med tøjresnore, der passer til denne maskintype og er normeret til mindst 7,0 kg (15,4 lbs).
 3. Undlad at forankre maskinens tøjresnor til nogen del af din krop eller til bevægelige komponenter. Fastgør maskinens tøjresnor til en fast struktur, som kan modstå kraften af en maskine, der tabes.
 4. Sørg for, at tøjresnoren er korrekt fastgjort i begge ender før brugen.
 5. Inspicer maskinen og tøjresnoren før hver gang, den bruges, for beskadigelser og korrekt funktion (inklusive stof og sammenhæftning). Undlad brug, hvis den er beskadiget eller ikke fungerer korrekt.
 6. Undlad at vikle tøjresnore omkring skarpe eller ru kanter eller at lade dem komme i kontakt med disse.
 7. Fastgør den anden ende af tøjresnoren uden for arbejdsområdet, så en nedfaldende maskine fastholdes sikkert.
 8. Fastgør tøjresnoren på en sådan måde, at maskinen vil bevæge sig væk fra operatøren, hvis den falder ned. Tabte maskiner vil svinge i tøjresnoren, hvilket kan medføre personskade eller tab af balancen.
 9. Undlad brug i nærheden af dele i bevægelse eller maskiner, der kører. Hvis du ikke gør dette, kan det medføre risiko for knusning eller indvikling.
 10. Undlad at bære maskinen ved at holde i monteringsenheden eller tøjresnoren.
 11. Overfør kun maskinen mellem dine hænder, når du har korrekt balance.
 12. Undlad at fastgøre tøjresnore til maskinen på en måde, der forhindrer beskyttelsesskærme, kontakter eller låseanordninger i at fungere korrekt.
 13. Undgå at blive viklet ind i tøjresnoren.
 14. Hold tøjresnoren væk fra maskinens skæreområde.
 15. Brug karabinhager af flerfunktions- og skrueporttyperne. Brug ikke karabinhager med enkeltfunktions fjederklemmer.
 16. Hvis maskinen tabes, skal den mærkes og tages ud af tjeneste og inspiceres af en Makita-fabrik eller et autoriseret servicecenter.
- Fig.28: 1. Hul til tøjresnor (sikkerhedsline)

VEDLIGEHOELSE

⚠FORSIGTIG: Vær altid sikker på, at værktøjet er slukket, og at akkuen er taget ud, inden De begynder at udføre inspektion eller vedligeholdelse.

⚠FORSIGTIG: Rengør den øverste og nederste beskyttelseskærm for at sikre, at der ikke er ophobet noget savsmuld, som muligvis kan hindre funktionen af det nederste afskærmningssystem. Et beskidt afskærmningssystem kan begrænse den korrekte funktion, hvilket kan resultere i alvorlig personskade. Den mest effektive måde at gøre dette på er at rengøre med trykluft. Hvis støvet blæses ud af beskyttelseskærmene, skal du sørge for at anvende korrekt øjen- og åndedrætsbeskyttelse.

⚠FORSIGTIG: Aftør savsmuldet fra maskinen efter hver brug. Fint savsmuld kan komme ind i maskinen og medføre fejlfunktion eller brand.

BEMÆRKNING: Anvend aldrig benzin, rensebenzin, fortynder, alkohol og lignende. Det kan medføre misfarvning, deformering eller revner.

For at opretholde produktets SIKKERHED og PÅLIDELIGHED må reparation, vedligeholdelse eller justering kun udføres af et autoriseret Makita servicecenter eller fabrikksservicecenter med anvendelse af Makita reservedele.

Justering af nøjagtigheden af et 0°-snit

Denne justering er foretaget fra fabrikken. Men hvis justeringen er forkeert, kan du justere den ved at benytte følgende fremgangsmåde.

1. Løsn håndtaget let på skrålappaden.
2. Placer grundpladen i en ret vinkel med klingens ved hjælp af en trekantlineal eller firkantlineal ved at dreje justeringsskruen.
► **Fig.29:** 1. Trekantlineal 2. Justeringsskrue
3. Stram håndtaget, og foretag derefter et testsnit for at kontrollere vinkelretheden.

EKSTRAUDSTYR

⚠FORSIGTIG: Det følgende tilbehør og ekstraudstyr er anbefalet til brug med Deres Makita maskine, der er beskrevet i denne brugsanvisning. Anvendelse af andet tilbehør eller ekstraudstyr kan udgøre en risiko for personskade. Anvend kun tilbehør og ekstraudstyr til det beskrevne formål.

Hvis De behøver hjælp ved valg af tilbehør eller ønsker yderligere informationer, bedes De kontakte Deres lokale Makita servicecenter.

- Rundsavsklinge
- Forkrøppet skruenøgle
- Parallellanslag (styreskinne)
- Forreste manchete 24
- Original Makita-akku og oplader

BEMÆRK: Nogle ting på denne liste kan være inkluderet i værktøjsspakken som standardtilbehør. Det kan være forskellige fra land til land.

SPECIFIKĀCIJAS

Modelis:		RS001G
Asmens diametrs		185 mm
Maks. zāģēšanas dziļums	0° leņķī	65 mm
	45° slīpā leņķī	45 mm
	53° slīpā leņķī	38 mm
Ātrums bez slodzes		6 400 min ⁻¹
Kopējais garums		446 mm
Nominālais spriegums		Līdzstrāva 36 V–40 V maks.
Tīrsvars		5,0–5,6 kg

- Nepārtrauktās izpētes un izstrādes programmas dēļ šeit uzrādītās specifikācijas var tikt mainītas bez brīdinājuma.
- Atkarībā no valsts specifikācijas var atšķirties.
- Svars var būt atšķirīgs atkarībā no papildierces(-ēm), tostarp akumulatora kasetnes. Tabulā ir attēlota vieglākā un smagākā kombinācija atbilstoši EPTA procedūrai 01/2014.

Piemērotā akumulatora kasetne un lādētājs

Akumulatora kasetne	BL4025 / BL4040* / BL4050F* *: Ieteicamais akumulators
Lādētājs	DC40RA / DC40RB / DC40RC

- Daži no iepriekš norādītajiem lādētājiem un akumulatora kasetnēm var nebūt pieejami atkarībā no jūsu mītnes reģiona.

▲BRĪDINĀJUMS: Izmantojiet vienīgi iepriekš norādītās akumulatora kasetnes un lādētājus. Cita tipa akumulatora kasetņu un lādētāju izmantošana var radīt traumu un/vai aizdegšanās risku.

Paredzētā lietošana

Šis darbarīks paredzēts kokmateriālu taisnvirziena un leņķveida zāģēšanai gareniski un šķērseniski, cieši saskaroties ar apstrādājamo materiālu.

Trokšņa līmenis

Tipiskais A svērtais trokšņa līmenis noteikts saskaņā ar EN62841-2-5:
Skaņas spiediena līmeni (L_{pA}): 92 dB (A)
Skaņas jaudas līmeni (L_{WA}): 103 dB (A)
Mainīgums (K): 3 dB (A)

PIEZĪME: Paziņotā trokšņa emisijas vērtība noteikta atbilstoši standarta pārbaudes metodei, un to var izmantot, lai salīdzinātu vienu darbarīku ar citu.

PIEZĪME: Paziņoto trokšņa emisijas vērtību arī var izmantot iedarbības sākotnējā novērtējumā.

▲BRĪDINĀJUMS: Lietojiet ausu aizsargus.

▲BRĪDINĀJUMS: Trokšņa emisija patiesos darba apstākļos var atšķirties no paziņotās vērtības atkarībā no darbarīka izmantošanas veida un jo īpaši atkarībā no apstrādājamā materiāla veida.

▲BRĪDINĀJUMS: Lai aizsargātu lietotāju, nosakiet drošības pasākumus, kas pamatoti ar iedarbību reālos darba apstākļos (ņemot vērā visus ekspluatācijas cikla posmus, piemēram, laiku, kamēr darbarīks ir izslēgts un kad darbojas tukšgaitā, kā arī palaišanas laiku).

Vibrācija

Vibrācijas kopējā vērtība (trīsasu vektora summa) noteikta atbilstoši EN62841-2-5:
Darba režīms: koksnes zāģēšana
Vibrācijas izmēte ($a_{h,w}$): 2,5 m/s² vai mazāk
Mainīgums (K): 1,5 m/s²

PIEZĪME: Paziņotā kopējā vibrācijas vērtība noteikta atbilstoši standarta pārbaudes metodei, un to var izmantot, lai salīdzinātu vienu darbarīku ar citu.

PIEZĪME: Paziņoto kopējo vibrācijas vērtību arī var izmantot iedarbības sākotnējā novērtējumā.

▲BRĪDINĀJUMS: Vibrācijas emisija patiesos darba apstākļos var atšķirties no paziņotās vērtības atkarībā no darbarīka izmantošanas veida un jo īpaši atkarībā no apstrādājamā materiāla veida.

▲BRĪDINĀJUMS: Lai aizsargātu lietotāju, nosakiet drošības pasākumus, kas pamatoti ar iedarbību reālos darba apstākļos (ņemot vērā visus ekspluatācijas cikla posmus, piemēram, laiku, kamēr darbarīks ir izslēgts un kad darbojas tukšgaitā, kā arī palaišanas laiku).

EK atbilstības deklarācija

Tikai Eiropas valstīm

EK atbilstības deklarācija šajā lietošanas rokasgrāmatā ir iekļauta kā A pielikums.

DROŠĪBAS BRĪDINĀJUMI

Vispārīgi elektrisko darbarīku drošības brīdinājumi

▲BRĪDINĀJUMS: Izlasiet visus drošības brīdinājumus, instrukcijas, apskatiet ilustrācijas un tehniskos datus, kas iekļauti mehanizētā darbarīka komplektācijā. Ja netiek ievēroti visi tālāk minētie noteikumi, var tikt izraisīta elektrotrauma, notikt aizdegšanās un/vai rasties smagas traumas.

Glabājiet visus brīdinājumus un norādījumus, lai varētu tajos ieskatīties turpmāk.

Termins „elektrisks darbarīks” brīdinājumos attiecas uz tādu elektrisko darbarīku, ko darbina ar elektrību (ar vadu), vai tādu, ko darbina ar akumulatoru (bez vada).

Drošības brīdinājumi par bezvadu ripzāģa lietošanu

Zāģēšanas procedūras

1. **▲BĪSTAMI:** Netuviniet rokas griešanas zonai un asmenim. Otru roku turiet uz palīgrokura vai motora korpusa. Ja turat zāģi ar abām rokām, asmens tās nevar sagriezt.
2. Nesniedzieties zem apstrādājamā materiāla. Aizsargs neaizsargā no asmens zem apstrādājamā materiāla.
3. Noregulējiet griešanas dziļumu atbilstoši apstrādājamā materiāla biezumam. Zem apstrādājamā materiāla jābūt redzamam nedaudz mazāk nekā veselam zāģa zobam.
4. Griežot apstrādājamo materiālu, nekad neturiet to rokās vai pār kāju. Apstrādājamo materiālu nostipriniet uz stabilas platformas. Materiālu ir svarīgi pareizi nostiprināt, lai mazinātu apraudējumu ķermeņim, novērstu asmens iekļīšanās vai kontroles zuduma risku.

► Att.1

5. Ja, veicot darbību, griezējinstrumentu var pieskarties slēptam vadam, mehanizēto darbarīku turiet pie izlētājam satveršanas virsmām. Saskaņojiet ar vadu, kurā ir spriegums, mehanizētā darbarīka ārējās metāla virsmas var vadīt spriegumu un operators saņems strāvas triecienu.
6. Zāģējot gareniski, vienmēr izmantojiet garenzāģēšanas ierobežotāju vai aizsargu ar taisnām malām. Tas uzlabo zāģēšanas precizitāti un mazina asmens iekļīšanās iespēju.
7. Vienmēr izmantojiet asmeņus ar pareizā izmēra un formas (dimanta vai apaļas) pievienošanas atverēm. Asmeņi, kas neatbilst zāģa uzstādīšanas sastāvdaļām, darbosies nepareizi, izraisot kontroles zudumu.
8. Nekādā gadījumā nelietojiet bojātas vai neatbilstošas asmeņus starplikas vai skrūvi. Asmens paplāksnes un skrūves ir speciāli paredzētas konkrētajam zāģim, lai sniegtu optimālu darba izpildi un drošību.

Atsitiens iemesli un ar to saistīti brīdinājumi

- atsitiens ir pēkšņa kustība pēc zāģa asmens iesprūšanas, iekļīšanās vai nepareizas novietošanas, liekot zāģim nekontrolēti pacelties un izvīrīties no apstrādājamā materiāla operatora virzienā;
- kad asmens cieši iesprūst vai iekļījas starp sakļaujošos iezāģējumu, asmens apstājas, un dzinēja kustība liek ierīcei strauji virzīties atpakaļ operatora virzienā;
- ja asmeni iezāģējumā saspiež vai nepareizi novieto, zobi asmens aizmugurējā malā var ieurbties koka virsmā, liekot asmenim izvīrīties no iezāģējuma un atlēkt atpakaļ operatora virzienā.

Atsitiens rodas zāģa nepareizas lietošanas un/vai nepareizas darbības vai apstākļu rezultātā, un no tā var izvairīties, veicot piemērotus drošības pasākumus, kā tālāk norādīts.

1. Ar abām rokām spēcīgi turiet zāģi, rokas novietojot tā, lai spētu pretoties atsitiens spēkam. Turiet asmeni vienā ķermeņa pusē, bet neturiet vienā līnijā ar ķermeņa vidusdaļu. Atsitiens var likt zāģim atlēkt atpakaļ, taču atsitiens spēku operators var kontrolēt, ja veic piemērotus drošības pasākumus.
2. Ja asmens iekļījas vai kāda iemesla dēļ neļauj pabeigt zāģēšanu, atlaidiet mēlīti un nekustīniet turiet zāģi materiālā, kamēr asmens pilnībā apstājas. Nekad neņemiet zāģi ārā no materiāla un nevirziet to atpakaļ, ja asmens kustas, jo tā var izraisīt atsitienu. Pārbaudiet un koriģējiet, lai novērstu asmens iekļīšanās cēloņus.
3. **Atsākot zāģa darbību apstrādājamajā materiālā, novietojiet zāģa asmeni iezāģējuma centrā tā, lai zāģa zobi nesaskaras ar materiālu.** Ja zāģa asmens ir iekļījies, tas var palēkties vai atsties no apstrādājamā materiāla, kad zāģa darbība tiek atsākta.
4. **Atbalstiet lielus gabalus, lai samazinātu asmens iesprūšanu vai atsitienu.** Lielu gabalu bieži vien zem sava svāra ieliecās. Atbalsti jānovieto abās pusēs zem gabala, blakus griezumam līnijai un blakus gabala malai.

► Att.2

► Att.3

5. **Neizmantojiet neasus vai bojātus asmeņus.** Neuzasināts vai nepareizi uzstādīts asmens veido šauru iezāģējumu, kas rada pārmērīgu berzi, asmens iekļīšanās vai atsitienu.
6. **Pirms sākt zāģēt pārliecinieties, vai asmens dziļuma un slīpuma regulēšanas sviras ir ciešas un nostiprinātas.** Ja noregulētais asmens griešanas laikā pārvietojas, tas var iekļīties un izraisīt atsitienu.
7. **Īpaši uzmanieties, zāģējot jau esošās sienās vai citās aizsegtās vietās.** Caurejošais asmens var ietriekties priekšmetos, kas var izraisīt atsitienu.
8. **VIENMĒR stingri turiet darbarīku ar abām rokām. NEKAD nenovietojiet savu galvu, kāju vai jebkuru savu ķermeņa daļu zem darbarīka pamatnes vai aiz zāģa, īpaši, kad zāģējat šķēršām.** Ja ir atsitiens, zāģis var atlēkt atpakaļ virs jūsu rokas, radot smagu traumu.

► Att.4

9. **Nekad nespiediet zāģi. Virziet zāģi uz priekšu tādā ātrumā, lai asmens zāģētu bez palēnināšanās.** Ja spēcīgi spiedīsiet zāģi, zāģējumi būs nevienmērīgi, neprecīzi un radīsies atsitiens risks.

Aizsarga funkcionalitāta

1. Pirms katras lietošanas reizes pārbaudiet, vai apakšējais aizsargs aizveras pareizi. Nelietojiet zāģi, ja apakšējais aizsargs nevirzās brīvi un nekavējoties neaizveras. Nekad nepiestipriniet un nepiesieniet apakšējo aizsargu atvērtā stāvoklī. Ja zāģis nejausi nokrīt, apakšējais aizsargs var salocīties. Paceliet apakšējo aizsargu ar ievilkšanas rokturi un pārleicinieties, ka tas virzās brīvi un nepieskaras asmenim vai citai daļai visos griezuma leņķos un dziļumos.
2. Pārbaudiet apakšējā aizsarga atsperes darbību. Ja aizsargs un atspere nedarbojas pareizi, tie pirms lietošanas jāsalabo. Apakšējais aizsargs var darboties lēni bojātu daļu, sveķu nosēdumu vai uzkrājušos gružu dēļ.
3. Apakšējais aizsargs jāizvelk manuāli tikai īpašas zāģēšanas nolūkā, piemēram, „iezāģējumu” un „kombinētu zāģējumu” gadījumā. Paceliet apakšējo aizsargu ar ievilkšanas rokturi un, tiklīdz asmens nokļūst materiālā, atļaidiet apakšējo aizsargu. Visu citu zāģēšanas darbu gadījumā apakšējam aizsargam jādarbojas automātiski.
4. Pirms novietot zāģi uz sola vai grīdas, vienmēr pārbaudiet, vai apakšējais aizsargs nosedz asmeni. Neaizsargāts asmens, kas kustas pēc inerces, virzīs zāģi atpakaļ, sagriežot visu, kas ir tā ceļā. Atcerieties, ka pēc slēdža atlaišanas asmenim nepieciešams laiks, lai apstātos.
5. Lai pārbaudītu apakšējo aizsargu, atveriet to ar roku, tad atļaidiet un novērojiet, kā tas aizveras. Pārbaudiet arī, vai ievilkšanas rokturis nepieskaras darbarīka korpusam. Neaizsegts asmens ir ĻOTI BĪSTAMS un var radīt smagas traumas.

Papildu drošības brīdinājumi

1. Ievērojiet sevišķu piesardzību, zāģējot mitru koksnī, ar spiedienu apstrādātu zāģmateriālu vai zarus. Noregulējiet zāģēšanas ātrumu tā, lai darbarīks vienmērīgi paliecinātu ātrumu, nesamazinot asmens ātrumu un nepieļaujot asmens malu pārkaršanu.
2. Neņemiet nost sagrieztu materiālu, kamēr asmens griežas. Pirms sazāģētā materiāla satveršanas nogaidiet, līdz asmens apstājas. Asmeņi pēc darbarīka izslēgšanās turpina kustēties pēc inerces.
3. Negrieziet naglas. Pirms zāģēšanas pārbaudiet, vai zāģmateriālā nav naglu, un tās izņemiet.
4. Zāģa pamata platāko daļu novietojiet uz tās apstrādājamā materiāla daļas, kas ir cieši atbalstīta, nevis uz daļas, kas pēc nogriešanas nokrītīs. Ja apstrādājama materiāls ir īss vai mazs, piestipriniet to. NETURIET ĪSOS GABALUS ROKĀS!

► Att.5

5. Pirms nolaist darbarīku, pabeidzot zāģēšanu, pārleicinieties, ka apakšējais aizsargs ir aizvēries un asmens ir pilnībā apstājies.
6. Nekad nezāģējiet, ja ripzāģis skrūvspīlēs iestiprināts otrādi. Tas ir ārkārtīgi bīstami un var izraisīt smagus negadījumus.

► Att.6

7. Daži materiāli satur ķīmiskas vielas, kas var būt toksiskas. Izvairieties no putekļu ieelpošanas un to nokļūšanas uz ādas. Ievērojiet materiāla piegādātāja drošības datus.
8. Nemēģiniet apstādināt asmeņus, no sāniem spiežot uz zāģa asmens.

9. Izmantojiet abrazīvās ripas.
10. Izmantojiet tikai tāda diametra zāģa asmeņus, kas ir norādīts uz darbarīka vai rokasgrāmatā. Izmantojot nepareiza izmēra asmeni, var būt traucēta asmens pareiza aizsardzība vai aizsarga darbība, kas var izraisīt nopietnus ievainojumus.
11. **Uzturiet asmeni asu un tīru.** Ja asmeņiem pielīpuši sveķi un koka darva, zāģa darbība kļūst lēnāka un atsitiena risks palielinās. Rūpējieties, lai asmens būtu tīrs, vispirms to noņemot nost no darbarīka, tad noīrot ar sveķu un darvas tīrītāju, karstu ūdeni vai petroleju. Nekad neizmantojiet benzīnu.
12. **Lietojot darbarīku, izmantojiet putekļu masku un ausu aizsargus.**
13. Vienmēr izmantojiet zāģa asmeni, kas paredzēts materiālam, ko griezīsiet.
14. Izmantojiet tikai tādus zāģa asmeņus, kas ir marķēti ar ātrumu, kas ir tāds pats vai lielāks kā uz darbarīka norādītais ātrums.
15. (Tikai Eiropas valstīm) Vienmēr izmantojiet asmeni, kas atbilst EN847-1 standartam.
16. Novietojiet darbarīku un detaļas uz līdzenas un stabilas virsmas. Citādi darbarīks un detaļas var nokrist un izraisīt traumu.

SAGLABĀJIET ŠOS NORĀDĪJUMUS.



BRĪDINĀJUMS: NEPIEĻAUJIET to, ka labu iemaņu vai izstrādājuma labas pārzināšanas (darbarīku atkārtoti ekspluatējot) rezultātā vairs stingri neievērojāt šī izstrādājuma drošības noteikumus. NEPAREIZI LIETOJOT darbarīku vai neievērojot šajā instrukciju rokasgrāmatā minētos drošības noteikumus, var tikt gūtas smagas traumas.

Svarīgi drošības norādījumi par akumulatora kasetni

1. Pirms akumulatora lietošanas izlasiet visus norādījumus un brīdinājumus, kuri attiecas uz (1) akumulatora lādētāju, (2) akumulatoru un (3) ierīci, kurā tiek izmantots akumulators.
2. Akumulatora kasetni nedrīkst ne pārveidot, ne izjaukt. Citādi var tikt izraisīta aizdegšanās, pārsmērīgs karstums vai sprādziens.
3. Ja akumulatora darbības laiks kļuva ievērojami īsāks, nekavējoties pārtrauciet to izmantot. Citādi, tas var izraisīt pārkaršējumu, uzliesmojumu vai pat sprādzienu.
4. Ja elektrolīts nonāc acīs, izskalojiet tās ar tīru ūdeni un nekavējoties griezieties pie ārsta. Tas var izraisīt redzes zaudēšanu.
5. Neradiet īssavienojumu akumulatora kasetnē:
 - (1) Nepieskarieties spaiļiem ar elektrību vadošiem materiāliem.
 - (2) Neuzglabājiet akumulatoru kasetni kopā ar citiem metāla priekšmetiem, tādiem kā naglas, monētas u. c.
 - (3) Nepakļaujiet akumulatora kasetni ūdens vai lietus iedarbībai.Akumulatora īssavienojums var radīt spēcīgu strāvas plūsmu, pārkaršanu, uzliesmojumu un pat sabojāt akumulatoru.

6. Neglabājiet un neizmantojiet darbarīku un akumulatora kasetni vietās, kur temperatūra var sasniegt vai pārsniegt 50 °C (122 °F).
7. Nededziniet akumulatora kasetni, pat ja tā ir stipri bojāta vai pilnībā nolietota. Akumulatora kasetne uguni var eksplodēt.
8. Akumulatora kasetni nedrīkst naglot, griezt, saspīest, mest vai nomest, kā arī pa to nedrīkst sist ar cietu priekšmetu. Šādas darbības var izraisīt aizdegšanos, pārmērīgu karstumu vai sprādzieni.
9. Neizmantojiet bojātu akumulatoru.
10. Uz izmantotajiem litiņa jonu akumulatoriem attiecas likumdošanas prasības par bīstamiem izstrādājumiem.
Komerציאלā transportēšanā, ko veic, piemēram, trešās puses, transporta uzņēmumi, jāievēro uz iesaiņojuma un marķējuma norādītās īpašās prasības. Lai izstrādājumu sagatavotu nosūtīšanai, jāsazinās ar bīstamo materiālu speciālistu. Ievērojiet arī citus attiecināmos valsts normatīvus. Vajējus kontaktus nosedziet ar līmlenti vai citādi pārklājiet, bet akumulatoru iesaiņojiet tā, lai sainstas nevarētu izkustēties.
11. Lai utilizētu akumulatora kasetni, izņemiet to no darbarīka un likvidējiet drošā vietā. Ievērojiet vietējos noteikumus par akumulatora likvidēšanu.
12. Izmantojiet šos akumulatorus tikai ar izstrādājumiem, kurus norādījis Makita. Ievietojot šos akumulatorus nesaderīgos izstrādājumos, var rasties ugunsgrēks, pārmērīgs karstums, tie var uzsprāgt vai no tiem var izteicēt elektrolīti.
13. Ja darbarīks netiks lietots ilgu laiku, no tā jāizņem akumulators.
14. Lietošanas laikā vai pēc tās akumulatora kasetne var uzkrāt siltumu, kas var izraisīt apdegumus vai zemas temperatūras apdegumus. Ar karstu akumulatora kasetni apritejies rūpīgi.
15. Nepieskarieties darbarīka izvadam uzreiz pēc lietošanas, jo tas var būt sakarsis un izraisīt apdegumus.
16. Neļaujiet akumulatora kasetnes izvadā, atverēs un rievās uzkrāties skaidām, putekļiem vai augsnei. Tādējādi darbarīks vai akumulatora kasetne var sākt darboties nekvalitatīvi vai tikt sabojāti.
17. Neizmantojiet akumulatora kasetni augstsprieguma līniju tuvumā, izņemot gadījumus, kad darbarīks ir piemērots lietošanai augstsprieguma līniju tuvumā. Citādi darbarīks vai akumulatora kasetne var sākt darboties nepareizi vai tikt sabojāti.
18. Glabājiet akumulatoru bērnēm nepieejamā vietā.

SAGLABĀJIET ŠOS NORĀDĪJUMUS.

⚠UZMANĪBU: Lietojiet tikai oriģinālos Makita akumulatorus. Ja lietojat neoriģinālus Makita akumulatorus vai pārveidotus akumulatorus, tie var uzsprāgt un izraisīt aizdegšanos, traumas un materiālos zaudējumus. Tīks anulēta arī Makita darbarīka un lādētāja garantija.

Ieteikumi akumulatora kalpošanas laika pagarināšanai

1. Uzlādējiet akumulatora kasetni, pirms tā ir pilnībā izlādējusies. Vienmēr, kad ievērojāt, ka darbarīka darba jauda zudusi, apturiet darbarīku un uzlādējiet akumulatora kasetni.
2. Nekad neuzlādējiet pilnībā uzlādētu akumulatora kasetni. Pārmērīga uzlāde saīsina akumulatora kalpošanas laiku.
3. Uzlādējiet akumulatora kasetni istabas temperatūrā 10 °C - 40 °C. Karstai akumulatora kasetnei pirms uzlādes ļaujiet atdzist.
4. Kad akumulatora kasetne netiek izmantota, izņemiet to no darbarīka vai lādētāja.
5. Uzlādējiet litiņa jonu akumulatora kasetni, ja to ilgstoši nelietosit (vairāk nekā sešus mēnešus).

FUNKCIJU APRAKSTS

⚠UZMANĪBU: Pirms darbarīka regulēšanas vai tā darbības pārbaudes vienmēr pārliecinieties, ka darbarīks ir izslēgts un akumulatora kasetne ir izņemta.

Akumulatora kasetnes uzstādīšana un izņemšana

⚠UZMANĪBU: Vienmēr pirms akumulatora kasetnes uzstādīšanas vai noņemšanas izslēdziet darbarīku.

⚠UZMANĪBU: Uzstādot vai izņemot akumulatora kasetni, darbarīku un akumulatora kasetni turiet cieši. Ja darbarīku un akumulatora kasetni netur cieši, tie var izkrist no rokām un radīt bojājumus darbarīkam un akumulatora kasetnei, kā arī izraisīt ievainojumus.

⚠UZMANĪBU: Neizmantojiet akumulatora adapteru kopā ar ripzāģi. Akumulatora adaptera vads var traucēt darbarīka darbību, tādējādi izraisot traumas.

- **Att.7:** 1. Sarkanās krāsas indikators 2. Poga 3. Akumulatora kasetne

Lai izņemtu akumulatora kasetni, izvelciet to no darbarīka, pārbīdot kasetnes priekšpusē esošo pogu.

Lai uzstādītu akumulatora kasetni, salāgojiet mēlīti uz akumulatora kasetnes ar rievu ietvarā un iebīdiet to vietā. Ievietojiet to līdz galam, līdz tā ar klikšķi nofiksējas. Ja pogas augšējā daļā redzams sarkanais krāsas indikators, tas nozīmē, ka tā nav pilnīgi fiksēta.

⚠UZMANĪBU: Vienmēr ievietojiet akumulatora kasetni tā, lai sarkanais indikators nebūtu redzams. Pretējā gadījumā tā var neauši izkrist no darbarīka un izraisīt jums vai apkārtnējiem traumas.

⚠UZMANĪBU: Neievietojiet akumulatora kasetni ar spēku. Ja kasetne neslīd ietvarā viegli, tā nav pareizi ielikta.

Darbarīka/akumulatora aizsardzības sistēma

Darbarīks ir aprīkots ar darbarīka/akumulatora aizsardzības sistēmu. Šī sistēma automātiski izslēdz jaudas padevi motoram, lai pagarinātu darbarīka un akumulatora kalpošanas laiku. Darbarīks automātiski pārstās darboties ekspluatācijas laikā, ja darbarīku vai akumulatoru pakļaus kādam no šiem apstākļiem. Dažu apstākļu gadījumā izgaismojas indikatori.

Aizsardzība pret pārslodzi

Ja darbarīku/akumulatoru lieto tā, ka tas patērē pārmerīgi lielu strāvas daudzumu, darbarīks automātiski pārstāj darboties. Šādā gadījumā izslēdziet darbarīku un pārtrauciet darbību, kas izraisīja darbarīka pārslodzi. Pēc tam ieslēdziet darbarīku, lai atsāktu darbu.

Aizsardzība pret pārkaršanu

Kad darbarīks/akumulators ir pārkaris, darbarīks automātiski pārstāj darboties. Šādā gadījumā pirms darbarīka atkārtotas ieslēgšanas ļaujiet tam atdzist.











Aizsardzība pret akumulatora pārmērīgu izlādi

Kad akumulatora jauda ir zema, darbarīks automātiski pārstāj darboties. Ja darbarīks nedarbojas, pat ieslēdzot slēdzus, no darbarīka izņemiet akumulatoru un veiciet akumulatoram uzlādi.

Atlikušās akumulatora jaudas indikators

Nospiediet akumulatora kasetnes pārbaudes pogu, lai pārbaudītu akumulatora atlikušo uzlādes līmeni. Indikatori iedegsies uz dažām sekundēm.

► **Att.8:** 1. Indikatora lampas 2. Pārbaudes poga

Indikatora lampas			Atlikusī jauda
 Iededzies	 Izslēgts	 Mirgo	
			No 75% līdz 100%
			No 50% līdz 75%
			No 25% līdz 50%
			No 0% līdz 25%
			Uzlādējiet akumulatoru.
 ↑ ↓ 			Iespējama akumulatora kļūme.

PIEZĪME: Reālā jauda var nedaudz atšķirties no norādītās atkarībā no lietošanas apstākļiem un apkārtējās temperatūras.

PIEZĪME: Akumulatora aizsardzības sistēmas darbības laikā mirgo pirmais (kreisais malējais) indikators.

Automātiskā ātruma maiņas funkcija

Šim darbarīkam ir "liela ātruma režīms" un "liela griezes momenta režīms".

Darbarīks atbilstoši darba slodzei automātiski maina darbības režīmu. Kad darba slodze ir maza, darbarīks darbojas "liela ātruma režīmā", lai nodrošinātu ātrāku zāģēšanu. Kad darba slodze ir liela, darbarīks darbojas "liela griezes momenta režīmā", lai nodrošinātu lielāku zāģēšanas jaudu.

Griezuma dziļuma regulēšana

UZMANĪBU: Pēc frēzēšanas dziļuma noregulēšanas vienmēr cieši pievelciet sviru.

Atļaidiet dziļuma vadīklas sviru un pamatni pārvietojiet uz augšu vai uz leju. Pamatni nostipriniet vēlamajā zāģēšanas dziļumā, pievelkot sviru.

Lai zāģēšana būtu tīrāka un drošāka, uzstādiet zāģēšanas dziļumu tā, lai ne vairāk kā viens asmens zobš būtu redzams zem apstrādājamā materiāla. Izmantojot pareizu zāģēšanas dziļumu, iespējams samazināt bīstamam ATSTIENUS, kas var izraisīt ievainojumus.

► **Att.9:** 1. Svira

Slīpā zāģēšana

UZMANĪBU: Pēc slīpā leņķa noregulēšanas vienmēr stingri pievelciet sviru.

Atbrīvojiet sviru un iestatiet vēlamo leņķi, attiecīgi sasverot darbarīku, pēc tam cieši pieskrūvējiet sviru.

► **Att.10:** 1. Svira

Pozitīvais sprūds

Ierobežotājbalstu izmanto, kad ātri jāiestata vajadzīgais leņķis. Pagrieziet pozitīvo sprūdu tā, lai tā bultīņa būtu vērsta pret vajadzīgo slīpuma leņķi (aptuveni 22,5°/45°/53°). Atbrīvojiet sviru un tad sasveriet darbarīka pamatni, līdz tā apstājas. Stāvoklis, kurā darbarīka pamatne apstājas, ir leņķis, ko iestatāt ar pozitīvo sprūdu. Kad darbarīka pamatne ir šajā stāvoklī, pievelciet sviru.

► **Att.11:** 1. Pozitīvais sprūds

Mērķēšana

Lai zāģētu taisni, 0° stāvoklī uz pamatnes priekšējās daļas salāgojiet ar zāģēšanas līniju. Lai zāģētu 45° slīpumā, salāgojiet 45° pozīcijā.

► **Att.12:** 1. Zāģēšanas līnija (0° stāvoklis)
2. Zāģēšanas līnija (45° stāvoklis)

Slēdža darbība

▲BRĪDINĀJUMS: Pirms akumulatora kasetnes uzstādīšanas darbarīkā vienmēr pārbaudiet, vai slēdža mēlīte darbojas pareizi un pēc atlaišanas atgriežas stāvoklī „OFF” (Izslēgts).

▲BRĪDINĀJUMS: NEKAD neizjauciet atbloķēšanas pogu, to neapļīmējiet un citādāk nepārveidojiet. Slēdzis ar izjauktu atbloķēšanas pogu var izraisīt neparedzētu darbību un radīt smagas traumas.

▲BRĪDINĀJUMS: NEKAD nelietojiet darbarīku, ja tas ieslēdzas tikai pēc slēdža mēlītes pavilkšanas un nav jānospiež atbloķēšanas poga. Slēdzis, ko nepieciešams labot, var izraisīt neparedzētu darbību un radīt nopietnus ievainojumus. PIRMS turpmākas ekspluatācijas nododiet darbarīku Makita apkopes centrā, lai to atbilstīgi saremontētu.

▲UZMANĪBU: Darbarīks sāk palēnināt ripzāga asmens griešanos uzreiz pēc slēdža mēlītes atlaišanas. Turiet darbarīku stingri, lai reaģētu uz palēnināšanos, kad tiek atlaista slēdža mēlīte. Pēkšņa reaģēšanas var izraisīt darbarīka izlaišanu no rokas un radīt ievainojumus.

Lai slēdža mēlīti nevarētu pavilkt nejauši, darbarīks aprīkots ar bloķēšanas pogu. Lai iedarbinātu darbarīku, nospiediet atbloķēšanas pogu un pavelciet slēdža mēlīti. Lai apturētu darbarīku, atlaidiet slēdža mēlīti.

► **Att.13:** 1. Slēdža mēlīte 2. Atbloķēšanas poga

IEVĒRĪBAI: Nevelciet slēdža mēlīti ar spēku, neiespiežot atbloķēšanas pogu uz iekšu. Rezultātā var tikt sabojāts slēdzis.

Elektrobremze

Darbarīks ir aprīkots ar elektrisku asmens bremzi. Ja darbarīks regulāri neapstādina ripzāga asmeni uzreiz pēc slēdža mēlītes atlaišanas, nododiet darbarīku apkopei Makita apkopes centrā.

▲UZMANĪBU: Asmens bremzes sistēma neaizstāj asmens aizsargu. NEKAD NEIZMANTOJIET DARBARĪKU, JA NEDARBOJAS ASMENS AIZSARGS. VAR GŪT NOPIETNUS IEVAINOJUMUS.

Elektroniskā funkcija

Instrumenti, kuriem ir elektroniskā funkcija, ir viegli lietojami, jo tiem ir tālāk minētā(-ās) īpašība(-as).

Laidenās palaides funkcija

Laidena palaide, kas slāpē ieslēgšanas radīto triecienu.

MONTĀŽA

▲UZMANĪBU: Pirms darbarīka regulēšanas vai apkopes vienmēr pārliecinieties, ka darbarīks ir izslēgts un akumulatora kasetne ir izņemta.

Izliektās uzgriežņatslēgas glabāšana

Kad izliektā uzgriežņatslēga netiek lietota, glabājiet to, kā parādīts, lai atslēgu nepazaudētu.

► **Att.14:** 1. Izliektā uzgriežņatslēga

Ripzāga asmens noņemšana vai uzstādīšana

▲UZMANĪBU: Pārbaudiet, vai ripzāga asmens ir uzstādīts tā, ka tā zobi vērsti augšup pret darbarīka priekšpusi.

▲UZMANĪBU: Ripzāga asmeni uzstādiet vai noņemiet tikai ar Makita izliekto uzgriežņatslēgu.

Lai noņemtu ripzāga asmeni, nospiediet vārpstas bloķētāju tā, lai ripzāga asmens nevarētu griezties, un ar izliekto uzgriežņatslēgu atskrūvējiet sešstūrgalvas skrūvi. Tad noņemiet sešstūru uzgriežņu atslēgu, ārējo atloku, ripzāga asmeni un gredzenu (atkarībā no valsts).

► **Att.15:** 1. Vārpstas bloķētājs 2. Izliektā uzgriežņatslēga 3. Atskrūvēt 4. Pievilkt

Darbarīkam bez gredzena

► **Att.16:** 1. Sešstūru galvas skrūve 2. Ārējais atloks 3. Ripzāga asmens 4. Bultiņa uz ripzāga asmens 5. Iekšējais atloks 6. Bultiņa uz darbarīka

Darbarīkam ar gredzenu

► **Att.17:** 1. Sešstūru galvas skrūve 2. Ārējais atloks 3. Ripzāga asmens 4. Bultiņa uz ripzāga asmens 5. Gredzens 6. Iekšējais atloks 7. Bultiņa uz darbarīka

Lai ripzāga asmeni uzstādītu, noņemšanas darbības izpildiet pretējā secībā. Savietojiet bultiņas virzienu uz ripzāga asmens ar bultiņas virzienu uz darbarīka.

Darbarīkam ar iekšējo atloku, kas paredzēts zāga asmenim, kura atvērums diametrs nav 15,88 mm

Iekšējam atlokam vienā pusē ir noteikta diametra izcilnis, bet atloka otrā pusē izcilnim ir citāds diametrs. Izvēlieties pareizo pusi, kurā izcilnis pilnībā atbilst ripzāga asmens atverei. Iekšējo atloku uz stiprinājuma ass nostipriniet tā, lai iekšējā atloka izcilņa pareizā puse būtu ārpusē, tad uzlieciet ripzāga asmeni un ārējo atloku.

► **Att.18:** 1. Stiprinājuma ass 2. Iekšējais atloks 3. Ripzāga asmens 4. Ārējais atloks 5. Sešstūru galvas skrūve

▲BRĪDINĀJUMS: PĀRBAUDIET, VAI SEŠSTŪRU GALVAS SKRŪVE IR CIEŠI PIESKRŪVĒTA PRETĒJI PULKSTENRĀDĪTĀJU KUSTĪBAS VIRZIENAM. Tāpat uzmanieties, lai nepievilktu skrūvi ar pārmērīgu spēku. Rokas noslīdēšana no sešstūru uzgriežņu atslēgas var radīt traumu.

▲BRĪDINĀJUMS: Pārbaudiet, vai iekšējā atloka izcilnis „a”, kas atrodas ārpusē, pilnībā atbilst zāga asmens atvērumsam „a”. Nepareizajā pusē ievietots ripzāga asmens var izraisīt bīstamas vibrācijas.

Darbarīkam ar iekšējo atloku, kas paredzēts zāga asmenim ar atvēruma diametru 15,88 mm (dažādās valstīs atšķiras)

Uz stiprinājuma ass uzstādi iekšējo atloku ar tā padziļināto pusi uz āru, tad uzlieciet zāga asmeni (ja nepieciešams, ar piestiprinātu gredzenu), ārējo atloku un sešstūru galvas skrūvi.

Darbarīkam bez gredzena

- **Att.19:** 1. Stiprinājuma ass 2. Iekšējais atloks 3. Ripzāga asmens 4. Ārējais atloks 5. Sešstūru galvas skrūve

Darbarīkam ar gredzenu

- **Att.20:** 1. Stiprinājuma ass 2. Iekšējais atloks 3. Ripzāga asmens 4. Ārējais atloks 5. Sešstūru galvas skrūve 6. Gredzens

▲BRĪDINĀJUMS: PĀRBAUDIET, VAI SEŠSTŪRU GALVAS SKRŪVE IR CIEŠI PIESKRŪVĒTA PRETĒJI PULKSTENRĀDĪTĀJU KUSTĪBAS VIRZIENAM. Tāpat uzmanieties, lai nepievilktu skrūvi ar pārmērīgu spēku. Rokas noslīdēšana no sešstūru uzgriežņu atslēgas var radīt traumu.

▲BRĪDINĀJUMS: Ja ripzāga asmens uzstādīšanai uz vārpstas nepieciešams gredzens, vienmēr pārbaudiet, vai starp iekšējo un ārējo atloku ir uzstādīts attiecīgajai asmens vārpstas atverei piemērots gredzens. Izmantojot nepiemērotu vārpstas atveres gredzenu, ripzāga asmens var tikt piestiprināts nepareizi, izraisot asmens kustēšanos un spēcīgu vibrāciju. Šādā situācijā darbarīks var kļūt nevadāms un radīt smagus ievainojumus.

Asmens aizsarga tīrīšana

Nomainot ripzāga asmeni, noteikti notīriet arī uzkrājušās zāgu skaidas no augšējā un apakšējā asmens aizsarga, kā aprakstīts sadaļā „Apkope”. Šīs darbības nevar aizvietot apakšējā aizsarga darbības pārbaudi pirms katras ekspluatācijas reizes.

Putekļsūcēja pievienošana

Papildu piederumi

PIEZĪME: Lai nepazaudētu gumijas uzliktni, glabājiet to darbarīka priekšpusē.

PIEZĪME: Kad neizmantojat putekļu sūcēju, uzlieciet putekļu sūcēja uzgalim gumijas uzliktni.

Noņemiet gumijas uzliktni no putekļsūcēja uzgaļa un pievienojiet putekļu sūcēja cauruli.

► **Att.21:** 1. Gumijas uzliktnis

Ja vēlaties tīru zāgējumu, darbarīkam pievienojiet “Makita” putekļsūcēju. Putekļsūcēja šļūteni pievienojiet putekļsūcēja uzgalim, izmantojot priekšējās uznavas 24.

► **Att.22:** 1. Putekļsūcēja šļūtene 2. Priekšējās uznavas 24 3. Putekļu uzgalis 4. Gumijas uzliktnis

EKSPLUATĀCIJA

Šis darbarīks ir paredzēts tikai kokmateriālu zāgēšanai. Lai uzzinātu par zāgējamajam materiālam piemērotiem ripzāga asmeņiem, skatiet mūsu tīmekļa vietni vai sazinieties ar vietējo Makita izplatītāju.

Asmens aizsarga pārbaude

Noregulējiet leņķa slīpumu uz 0°, manuāli pavelciet apakšējo aizsargu līdz beigu pozīcijai un tad atlaidiet to. Apakšējais aizsargs darbojas pareizi, ja:

- to bez aizķeršanās var atvilkt pozīcijā virs pamatnes;
- tas automātiski atgriežas sākuma pozīcijā un savienojas ar aizturi.

► **Att.23:** 1. Augšējais aizsargs 2. Apakšējais aizsargs 3. Pamatne 4. Aizturis 5. Atvērt 6. Aizvērt

Ja apakšējais aizsargs nedarbojas pareizi, pārbaudiet, vai apakšējā un augšējā aizsargā nav sakrājušās skaidas. Ja apakšējais aizsargs nedarbojas pareizi arī pēc skaidu iztīrīšanas, darbarīks ir jāpārbauda Makita apkopes centrā.

▲UZMANĪBU: Zāgēšanas laikā valkājiet putekļu masku.

▲UZMANĪBU: Vienmēr saudzīgi virziet darbarīku uz priekšu taisnā līnijā. Ja darbarīku spēcīgi spiedīsīt vai grozīsīt, motors var pārkarst un iespējams radīt bīstamu atsitieni, kas var izraisīt smagas traumas.

PIEZĪME: Ja akumulatora kasetnes temperatūra ir zema, darbarīks var neizmantot pilnu akumulatora nominālo ietilpību. Tādā gadījumā izmantojiet darbarīku nelielām zāgēšanas darbībām, kamēr akumulatora kasetne uzslīst līdz istabas temperatūrai. Tad darbarīks varēs izmantot pilnu akumulatora ietilpību.

Turiet darbarīku cieši. Darbarīkam ir gan priekšējais, gan aizmugurējais rokturis. Darbarīka satveršanai izmantojiet abus. Ja abām rokām tur zāģi, ripzāģa asmens nevar tajās iezāģēt. Pamatni uz apstrādājamā materiāla novietojiet tā, lai ripzāģa asmens ar to nesa-skartos. Tad ieslēdziet darbarīku un nogaidiet, līdz ripzāģa asmens sasniedz pilnu ātrumu. Pēc tam darbarīku virziet pāri apstrādājamā materiāla virsmai, turot to līdzeni un vienmērīgi virzot uz priekšu, kamēr zāģēšana pabeigta.

Lai zāģēšana būtu precīza, saglabājiet zāģēšanas līniju taisnu un virzīšanas ātrumu vienmērīgu. Ja zāģis nezāģē paredzētajā zāģēšanas līnijā, nemēģiniet darbarīku pagriezt vai ar spēku aizstumt atpakaļ uz zāģēšanas līniju. Šāda rīcība var saliekt ripzāģa asmeni, izraisot bīstamu atsitieni un potenciāli bīstamu traumu. Atļaidiet slēdzi, nogaidiet, kamēr ripzāģa asmens pār-stāj darboties, tad izņemiet darbarīku no zāģējuma. Darbarīku ievietojiet jaunajā zāģējuma līnijā un sāciet zāģējumu no jauna. Centieties izvairīties no tāda zāģa stāvokļa, kad skaidas un koksnes putekļi lido virzienā uz operatoru. Lai netraumētu acis, izmantojiet acu aizsarglīdzekļus.

Āķis

⚠UZMANĪBU: Vienmēr izņemiet akumulatoru, kad darbarīku pakarināt aiz āķa.

⚠UZMANĪBU: Nekādā gadījumā nekariniet darbarīku aiz āķa lielā augstumā vai pie nestabilām virsmām, no kurām darbarīks var nokrist. Pretējā gadījumā ir iespējams nokrišanas negadījums un smagas traumas.

⚠UZMANĪBU: Nevelciet darbarīku uz leju, kad tas ir pakarināts uz āķa.

⚠UZMANĪBU: Piekaramās/stiprinājuma daļas izmantojiet tikai to paredzētajiem mērķiem. Izmantojot citiem mērķiem, var radīt nelaimes gadījumu vai traumu.

Āķis noder, ja darbarīks ir jāpakarina uz neilgu laiku. Lai izmantotu āķi, vienkārši velciet to uz augšu, līdz tas nofiksējas atvērtā pozīcijā. Ja neizmantojat āķi, obligāti nolaidiet to uz leju, līdz tas nofiksējas slēgtā pozīcijā.

► **Att.25:** 1. Āķis 2. Atvērta pozīcija 3. Aizvērta pozīcija

► **Att.26**

Garenzāģēšanas ierobežotājs (vadotnes lineāls)

Papildu piederumi

Parocīgais garenzāģēšanas ierobežotājs ļauj zāģēt ļoti precīzi. Piebīdīet garenzāģēšanas ierobežotāju cieši pie apstrādājamā materiāla malas un nostipriniet to paredzētajā vietā ar pamatnes priekšējā daļā esošo skrūvi.

Tas arī ļauj veikt vairākus zāģējumus vienādā platumā.
► **Att.27:** 1. Garenzāģēšanas ierobežotājs (vadotnes lineāls) 2. Saspiedēja skrūve

Saites (stiprinājuma saites) savienojums

⚠Specifiskie drošības brīdinājumi, strādājot lielā augstumā

Izlasiet visus drošības brīdinājumus un norādījumus. Ievērojot brīdinājumus un norādījumus, iespējams gūt nopietnus ievainojumus.

1. Strādājot augstumā, vienmēr nostipriniet darbarīku ar stiprinājuma saiti. Maksimālais saites garums ir 2 m (6,5 pēdas). Maksimālais pieļaujamais darbarīka krišanas augstums saitei (stiprinājuma saitei) nedrīkst pārsniegt 2 m (6,5 pēdas).
2. Izmantojiet tikai ar tādām saitēm, kas piemērotas šim darbarīka veidam un ir paredzētas vismaz 7,0 kg (15,4 mārciņām).
3. Nostipriniet darbarīka saiti pie sava ķermeņa vai pie kustīgiem priekšmetiem. Nostipriniet darbarīka saiti pie stingras konstrukcijas, kas var izturēt krītoša darbarīka radītos spēkus.
4. Pirms izmantošanas pārliecinieties, ka saites abi gali ir pienācīgi nostiprināti.
5. Pirms katras izmantošanas reizes pārbaudiet, vai darbarīkam un saitei nav kādu bojājumu un tie veic savas funkcijas (pārbaudiet arī audumu un šuves). Neizmantojiet, ja tiem ir bojājumi vai tie pienācīgi neveic savas funkcijas.
6. Netīniet saites ap asām vai raupjām šķautnēm un raugiet, lai saite ar šādām šķautnēm nesaskartos.
7. Nostipriniet otru saites galu ārpus darba zonas, lai tā droši noturētu krītošu darbarīku.
8. Pievienojiet saiti tā, lai darbarīks, ja tas krīt, pārvietotos virzienā prom no lietotāja. Nokrituši darbarīki šūposies saitē, un tas varētu izraisīt savainojumus vai līdzsvara zudumus.
9. Neizmantojiet kustīgu daļu vai darbojošos iekārtu tuvumā. Pretējā gadījumā var būt sasišanas vai sapīšanās risks.
10. Nesot darbarīku, neturiet to aiz pievienotās ierīces vai saites.
11. Ja vēlaties paņemt darbarīku no vienas rokas otrā, vispirms nostājieties stabilā pozīcijā.
12. Pievienojiet saites darbarīkam tādā veidā, lai tās netraucētu aizsargu, slēdžu vai bloķēšanas ierīču pareizu darbību.
13. Nesapīnieties saitē.
14. Raugiet, lai saite neatrastos darbarīka griešanas zonā.
15. Izmantojiet daudzfunkcionālas karabīnes ar skrūvējamu savienojumu. Neizmantojiet vienkāršās karabīnes ar atsperes savienojumu.
16. Gadījumā, ja darbarīks nokrīt, tam jāpievieno etiķete, un to nedrīkst ekspluatēt; darbarīks ir jāpārbauda Makita rūpnīcā vai pilnvarotā servisa centrā.

► **Att.28:** 1. Atvere saitei (stiprinājuma saitei)

APKOPE

⚠UZMANĪBU: Pirms darbarīka pārbaudes vai apkopes vienmēr pārlecinieties, ka darbarīks ir izslēgts un akumulatora kasetne ir izņemta.

⚠UZMANĪBU: Notīriet arī uzkrājušās zāģskaidas no augšējā un apakšējā asmens aizsarga, jo tās var traucēt apakšējās aizsargsistēmas darbību. Netīra aizsargsistēma var traucēt pareizai lietošanai, un tas var izraisīt smagas traumas. Visefektīvāk šo tīrīšanu var veikt ar saspīestu gaisu. Ja putekļi tiek izpūsti ārā pa aizsargu, noteikti izmantojiet piemērotus acu un elpceļu aizsarglīdzekļus.

⚠UZMANĪBU: Pēc katras lietošanas reizes notīriet skaidas no darbarīka.. Smalkās kokskaidas var iekļūt darbarīkā un izraisīt kļūmīgu darbību vai aizdegšanos.

IEVĒRĪBAI: Nekad neizmantojiet gazolīnu, benzīnu, atšķaidītāju, spirtu vai līdzīgus šķidrumus. Tas var radīt izbalēšanu, deformāciju vai plaisas.

Lai saglabātu izstrādājuma DROŠU un UZTICAMU darbību, remontdarbus, apkopi un regulēšanu uzticiet veikt tikai Makita pilnvarotam vai rūpnīcas apkopes centram, un vienmēr izmantojiet tikai Makita rezerves daļas.

0° griezuma precizitātes regulēšana

Tas izdarīts jau rūpnīcā. Taču vajadzības gadījumā regulējiet, veicot šādas darbības.

1. Mazliet atbrīvojiet sviru uz slīpā leņķa plāksnes.
2. Novietojiet pamatni perpendikulāri asmenim, izmantojot trijstūri vai lekalu un griežot regulēšanas skrūvi.
▶ **Att.29:** 1. Trijstūris 2. Regulēšanas skrūve
3. Pievelciet sviru un veiciet pārbaudes griezumu, lai pārbaudītu vertikālo stāvokli.

PAPILDU PIEDERUMI

⚠UZMANĪBU: Šādi piederumi un papildierces tiek ieteiktas lietošanai ar šajā rokasgrāmatā aprakstīto Makita darbarīku. Izmantojot citus piederumus vai papildierces, var tikt radīta trauma gūšanas bīstamība. Piederumu vai papildierci izmantojiet tikai paredzētajam mērķim.

Ja jums vajadzīga palīdzība vai precīzāka informācija par šiem piederumiem, vērsieties savā tuvākajā Makita apkopes centrā.

- Ripzāģa asmens
- Izliektā uzgriežņatslēga
- Garenzāģēšanas ierobežotājs (vadotnes lineāls)
- Priekšējās uznavas 24
- Makita oriģinālais akumulators un lādētājs

PIEZĪME: Daži sarakstā norādītie izstrādājumi var būt iekļauti instrumenta komplektācijā kā standarta piederumi. Tie dažādās valstīs var būt atšķirīgi.

SPECIFIKACIJOS

Modelis:		RS001G
Disko skersmuo		185 mm
Maks. pjovimo gylis	0° kampu	65 mm
	esant 45° posvyriui	45 mm
	esant 53° posvyriui	38 mm
Be apkrovos		6 400 min ⁻¹
Bendrasis ilgis		446 mm
Vardinė įtampa		Nuol. sr. 36 V – 40 V maks.
Grynasis svoris		5,0 – 5,6 kg

- Atliekame tęstinus tyrimus ir nuolatos tobuliname savo gaminius, todėl čia pateikiamos specifikacijos gali būti keičiamos be įspėjimo.
- Skirtingose šalyse specifikacijos gali skirtis.
- Svoris gali priklausyti nuo priedo (-ų), įskaitant akumuliatoriaus kasetę. Lengviausias ir sunkiausias deriniai pagal EPTA 2014 m. sausio mėn. procedūrą yra parodyti lentelėje.

Tinkama akumuliatoriaus kasetė ir (arba) įkroviklis

Akumuliatoriaus kasetė	BL4025 / BL4040* / BL4050F* *: rekomenduojamas akumuliatorius
Įkroviklis	DC40RA / DC40RB / DC40RC

- Atsižvelgiant į gyvenamosios vietos regioną, kai kurios pirmiau nurodytos akumuliatoriaus kasetės ir įkrovikliai gali būti neprieinami.

⚠️ISPĖJIMAS: Naudokite tik akumuliatoriaus kasetes ir įkroviklius, kurie nurodyti anksčiau. Naudojant bet kurias kitas akumuliatoriaus kasetes ir įkroviklius, gali kilti sužeidimo ir gaisro pavojus.

Numatytoji naudojimo paskirtis

Šis įrankis skirtas tiesiems ir nuožambiams pjūviams įvairiais kampais išilgai ir skersai pjauti, įrankiu tvirtai spaudžiant ruošinį.

Triukšmas

Įprastas triukšmo A lygis, nustatytas pagal EN62841-2-5:
Garso slėgio lygis (L_{pA}): 92 dB (A)
Garso galios lygis (L_{WA}): 103 dB (A)
Paklaida (K): 3 dB (A)

PASTABA: Paskelbta (-os) triukšmo reikšmė (-ės) nustatyta (-os) pagal standartinį testavimo metodą ir jį galima naudoti vienam įrankiui palyginti su kitu.

PASTABA: Paskelbta (-os) triukšmo reikšmė (-ės) taip pat gali būti naudojama (-os) norint preliminariai įvertinti triukšmo poveikį.

⚠️ISPĖJIMAS: Dėvėkite ausų apsaugą.

⚠️ISPĖJIMAS: Faktiškai naudojant elektrinį įrankį, keliamo triukšmo dydis gali skirtis nuo paskelbtos (-ų) reikšmės (-ių), priklausomai nuo būdų, kuriais yra naudojamas šis įrankis, ir ypač nuo to, kokio tipo ruošinys apdirbamas.

⚠️ISPĖJIMAS: Siekdami apsaugoti operatorių, būtina įvertinkite saugos priemones, remdamiesi vibracijos poveikio įvertinimu esant faktinėms naudojimo sąlygoms (atsižvelgdami į visas darbo ciklo dalis, pavyzdžiui, ne tik kiek laiko įrankis veikia, bet ir kiek kartų jis yra išjungiamas bei kai jis veikia be apkrovų).

Vibracija

Vibracijos bendroji vertė (trიაšio vektoriaus suma) nustatyta pagal EN62841-2-5 standartą:
Darbo režimas: medžio pjovimas
Vibracijos emisija ($a_{h,w}$): 2,5 m/s² arba mažiau
Paklaida (K): 1,5 m/s²

PASTABA: Paskelbta (-os) vibracijos bendroji (-osios) reikšmė (-ės) nustatyta (-os) pagal standartinį testavimo metodą ir jį galima naudoti vienam įrankiui palyginti su kitu.

PASTABA: Paskelbta (-os) vibracijos bendroji (-osios) reikšmė (-ės) taip pat gali būti naudojama (-os) norint preliminariai įvertinti vibracijos poveikį.

⚠️ISPĖJIMAS: Faktiškai naudojant elektrinį įrankį, keliamos vibracijos dydis gali skirtis nuo paskelbtos (-ų) reikšmės (-ių), priklausomai nuo būdų, kuriais yra naudojamas šis įrankis, ir ypač nuo to, kokio tipo ruošinys apdirbamas.

⚠️ISPĖJIMAS: Siekdami apsaugoti operatorių, būtina įvertinkite saugos priemones, remdamiesi vibracijos poveikio įvertinimu esant faktinėms naudojimo sąlygoms (atsižvelgdami į visas darbo ciklo dalis, pavyzdžiui, ne tik kiek laiko įrankis veikia, bet ir kiek kartų jis yra išjungiamas bei kai jis veikia be apkrovų).

EB atitikties deklaracija

Tik Europos šalims

EB atitikties deklaracija yra pridedama kaip šio instrukcijų vadovo A priedas.

SAUGOS ĮSPĖJIMAI

Bendrieji įspėjimai dirbant elektriniais įrankiais

⚠️ ĮSPĖJIMAS: Perskaitykite visus saugos įspėjimus, instrukcijas, iliustracijas ir techninius duomenis, pateiktus kartu su šiuo elektriniu įrankiu. Nesilaikant visų toliau išvardytų instrukcijų galima patirti elektros smūgį, gali kilti gaisras ir (arba) galima sunkiai susižaloti.

Išsaugokite visus įspėjimus ir instrukcijas, kad galėtumėte jas peržiūrėti ateityje.

Terminas „elektrinis įrankis“ pateiktuose įspėjimuose reiškia į maitinimo tinklą jungiamą (laidinį) elektrinį įrankį arba akumuliatoriaus maitinamą (belaidį) elektrinį įrankį.

Įspėjimai dėl akumuliatorinio diskinio pjūklo saugos

Pjovimo darbų tvarka

- ⚠️ PAVOJUS:** rankas laikykite kuo toliau nuo pjovimo vietos ir geležtės. Kitą ranką laikykite ant pagalbinės rankenos arba variklio korpuso. Jei pjūklą laikysite abiem rankomis, geležtė negalės jų įpjauti.
 - Nekiškite rankų po ruošiniu.** Po ruošiniu apsauginis įtaisas negali apsaugoti jūsų nuo geležtės.
 - Pjovimo gylį sureguliuokite pagal ruošinio storį.** Po ruošiniu turi matytis mažiau nei vienas visas geležtės dantis.
 - Pjaudami ruošinio jokiū būdu nelaikykite rankose ar tarp kojų.** Ruošinį pritvirtinkite prie stabilaus darbatalio. Labai svarbu tinkamai paremti ruošinį, kad kiltų kuo mažiau pavojų kūnui, kad nelinktų diskas ir kad neprarastumėte kontrolės.
- **Pav.1**
- Laikykite elektrinį įrankį už izoliuotų paviršių, jei pjovimo įrankis gali paliesti nematomus laidus.** Jei tvirtinimo detalės palies laidą su įtampa, elektrinio įrankio metalinėmis dalimis taip pat gali imti tekėti srovė, todėl operatorius gali patirti elektros šoką.
 - Darydami prapjovimo darbus, visuomet naudokite prapjovos kreiptuvą arba tiesią krašto kreipiamąją.** Taip pjūvis bus tikslesnis ir sumažės tikimybė, kad geležtė užstrigs ruošinyje.
 - Diskus naudokite tik su tinkamo dydžio ir formos (deimantinėmis ar apvaliomis) angomis.** Diskai, kurie netinka montavimo pjūkle įtaisams, slinks nuo centro į šalį, todėl nesuvaldysite įrankio.
 - Niekada nenaudokite apgadintų arba netinkamų geležtės poveržlių arba varžto.** Geležtės poveržlės ir varžtai specialiai pagaminti šiam pjūklui, kad jis būtų optimaliai našus ir saugus.

Atatranka priešzastys ir su ja susiję įspėjimai

- atatranka yra staigi reakcija į pjūklo disko įstrigimą, sulinkimą ar išsiderinimą, dėl kurių nevaldomas pjūklas pakyla ir iššoka iš ruošinio operatoriaus link;
- jei diskas įstringa arba smarkiai sulinksta užsidarant įpjovai, diskas stringa, o variklio reakcija staigiai nukreipia įrankį operatoriaus link;
- Jei geležtė susisuka arba išsiderina įpjovoje, gali nėje geležtės briaunoje esantys dantukai gali įlįsti į medienos paviršių ir todėl geležtė iššoks iš įpjovos operatoriaus link.

Atatranka yra piktnaudžiavimo pjūklui ir (arba) netinkamų darbo procedūrų ar sąlygų rezultatas, jos galima išvengti vadovaujantis toliau nurodytomis atsargumo priemonėmis.

- 1. Tvirtai laikykite pjūklą abiem rankomis, rankas laikykite taip, kad jos atlaikytų atatrankos jėgą. Stovėkite bet kurioje geležtės pusėje, bet ne vienoje linijoje su ja.** Dėl atatrankos pjūklas gali atšokti atgal, bet operatorius gali valdyti atatrankos jėgą, jei imasi reikiamų atsargumo priemonių.
 - 2. Jei geležtė sulinksta arba pjovimas pertraukiamas dėl kitos priežasties, atleiskite gaiduką ir nejudinkite pjūklo ruošinyje, kol geležtė visiškai nesustos.** Jokiu būdu nemėginkite ištraukti pjūklo iš ruošinio arba traukti pjūklo atgal, kol geležtė juda, antraip įvyks atatranka. Apžiūrėkite ir imkitės priemonių geležtės sulinkimo priežastčiai pašalinti.
 - 3. Įstatydami pjūklą atgal į ruošinį, pjūklo diską įstatykite įpjovos centre taip, kad pjūklo dantukai nebūtų įstrigę ruošinyje.** Jei pjūklo diskas linksta, jis gali pakilti arba iššokti iš ruošinio vėl įjungus pjūklą.
 - 4. Dideles plokštes paremkite ir taip sumažinkite pavojų, kad geležtė bus suspausta ir iššoks.** Didelės plokštės linksta dėl savo pačių svorio. Atramas reikia dėti po plokštę iš abiejų pusių, netoli pjovimo linijos ir greta plokštės briaunos.
- **Pav.2**
- **Pav.3**
- 5. Nenaudokite atšipusių ar sugadintų geležčių.** Naudojant nepagalastas arba netinkamai nustatytas geležtes gaunama siaura įpjova, dėl to padidėja trintis, linksta geležtė ir kyla atatranka.
 - 6. Prieš atliekant pjūvį, geležtės gylis ir nuožulnuo reguliavimo-fiksavimo svirtys turi būti gerai pritvirtintos ir priveržtos.** Jei geležtės reguliavimas pasikeis pjaunant, geležtė gali sulinkti ar iššokti.
 - 7. Būkite ypač atsargūs, kai darote pjūvius sienose arba kitose aklinese vietose.** Išsikišusi geležtė gali pataikyti į objektus ir nuo jų atšokti.
 - 8. VISUOMET tvirtai laikykite įrankį abiem rankomis. NEDĖKITE rankų, kojų ar kitos kūno dalies po įrankio pagrindu ar už pjūklo, ypač darydami kryžinius pjūvius.** Įvykus atatrankai, pjūklas gali atšokti atgal per jūsų ranką ir sunkiai sužaloti.
- **Pav.4**

- 9. Nedirbkite pjūklui per jėgą. Stumkite pjūklą tokiu greičiu, kad geležtė pjautų nelėtėdama.** Spaudžiant pjūklą, galimi nelygūs pjūviai, tikslumo sumažėjimas ir atatranka.

Apsauginio skydo veikimas

1. Prieš kiekvieną naudojimą patikrinkite, ar apatinis apsauginis įtaisas tinkamai užsidaro. Nenaudokite pjūklų, jei apatinis apsauginis įtaisas neįdaro laisvai ir neužsidaro iš karto. Jokiu būdu neįtvirtinkite ir nepirriškite apatinio apsauginio įtaiso atviroje padėtyje. Jei pjūklas netyčia išmetamas, apatinis apsauginis įtaisas gali sulinkti. Pakelkite apatinį apsauginį įtaisą atitraukiami rankena ir įsitikinkite, ar jis laisvai juda ir neliečia geležtės ar kitos dalies, esant bet kokiam pjūvio kampui ir gyliai.
2. Patikrinkite apatinio apsauginio įtaiso spyruoklės veikimą. Jei apsauginis įtaisas ir spyruoklė neveikia tinkamai, prieš naudojimą juos reikia sutvarkyti. Apatinis apsauginis įtaisas gali veikti lėtai dėl pažeistų dalių, lipnių nuosėdų ar susikaupusių nešvarumų.
3. Apatinį apsauginį įtaisą galima įtraukti ranka, bet tik atliekant specialius pjovimo darbus, pvz., gilius pjūvius arba sudėtinčius pjūvius. Nulieskite apatinį apsauginį įtaisą įtraukimo rankena, o kai tik diskas įpjaua medžiagą, paleiskite apatinį apsauginį įtaisą. Darant kitus pjūvius, apatinė apsauga turi veikti automatiškai.
4. Prieš dėdami pjūklą ant suolo ar grindų, patikrinkite, ar apatinis apsaugos įtaisas uždengia geležtę. Neapsaugota iš inercijos judanti geležtė privers pjūklą važiuoti atgal, pjaunant viską savo kelyje. Atkreipkite dėmesį į laiką, kurio reikia, kad geležtė sustotų atleidus jungiklį.
5. Norėdami patikrinti apatinį apsaugos įtaisą, atidarykite apatinį apsaugos įtaisą ranka, tuomet atleiskite ir stebėkite, kaip jis užsidaro. Taip pat patikrinkite, ar atitraukimo rankenėlė neliečia įrankio korpuso. Palikite diską atvirą LABAI PAVOJINGA, galima sunkiai susižaloti.

Papildomi įspėjimai dėl saugos

1. Būkite ypač budrūs, kai pjaunate drėgną medieną, suslėgtus rąstus arba medį su šakomis. Vienodu greičiu stumkite įrankį pirmyn, nemažindami pjūklo greičio, kad neperkaistų pjūklo galiukai.
2. Nemėginkite nuimti atpjautos medžiagos geležtei judant. Prieš imdami nupjautą medžiagą, palaukite, kol geležtė sustos. Išjungus įrankį, geležtės dar sukasi iš inercijos.
3. Nepjunkite vinių. Prieš pjudami apžiūrėkite medieną ir išimkite visas vinis.
4. Platesnę pjūklo pagrindo dalį dėkite ant tos ruošinio dalies, kuri gerai paremta, o ne ant tos, kuri nukris baigus pjauti. Jei ruošinys trumpas arba smulkus, suspauskite jį spaustuvais. **NEMĖGINKITE LAIKYTI TRUMPO RUOŠINIO RANKAI!**

► Pav.5

5. Prieš pastatydami įrankį, kai baigėte pjauti, įsitikinkite, ar apatinis apsauginis įtaisas užsidarė, o geležtė visiškai sustojė.
6. Nemėginkite pjauti apskritu pjūklų apvertę jį spaustuvuose. Tai ypač pavojinga, todėl gali įvykti sunkus nelaimingas atsitikimas.

► Pav.6

7. Kai kuriose medžiagose esama cheminių medžiagų, kurios gali būti nuodingos. Saugokitės, kad neįkvėptumėte dulkių ir nesiliestumėte oda. Laikykitės medžiagų tiekėjo saugos duomenų.

8. Nenaudokite spausdami pjūklą geležtę iš šono.
9. Nenaudokite šlifuojamųjų diskų.
10. Naudokite tik tokio skersmens pjovimo diską, koks yra nurodytas ant įrankio arba naudojimo instrukcijoje. Naudojant netinkamo dydžio geležtę, ji gali būti netinkamai apsaugota arba netinkamai veiks apsauginis jos gaubtas, todėl galima sunkiai susižeisti.
11. **Geležtė turi būti aštri ir švari.** Ant geležtės esantys sukietėję sakai ar derva sulėtina pjovimą ir didina atitranso pavojų. Valykite geležtę pirmiausia išimdami ją iš įrankio, tada nuvalydami sakų ir dervos šalinimo priemone, karštu vandeniu ar žibalu. Nenaudokite benzino.
12. Naudodami įrankį, užsidėkite kaukę, saugančią nuo dulkių, ir klausos apsaugines priemones.
13. Visada naudokite pjaunamai medžiagai tinkamą pjūklo diską.
14. Naudokite tik tuos pjūklo diskus, ant kurių nurodytas sukimosi greitis prilygsta arba viršija ant įrankio nurodytą sukimosi greitį.
15. (Tik Europos šalims) Naudokite tik pjovimo diskus, kurie atitinka EN847-1.
16. Padėkite įrankį ir dalis ant lygaus ir stabilaus paviršiaus. Priešingu atveju įrankis arba dalys gali nukristi ir sužaloti.

SAUGOKITE ŠIAS INSTRUKCIJAS.

▲ISPĖJIMAS: NELEISKITE, kad patogumas ir gaminio pažinimas (įgyjamas pakartotinai naudojant) susilpnintų griežtą saugos taisyklių, taikytinų šiam gaminiui, laikymąsi. Dėl NETINKAMO NAUDOJIMO arba saugos taisyklių, kurios pateiktos šioje instrukcijoje, nesilaikymo galima rimtai susižeisti.

Svarbios saugos instrukcijos, taikomoms akumulatoriaus kasetei

1. Prieš naudodami akumulatoriaus kasetę, perskaitykite visas instrukcijas ir perspėjimus ant (1) akumuliatorių įkroviklio, (2) akumuliatorių ir (3) akumuliatorių naudojančio gaminio.
2. Neardykite ir negadinkite akumulatoriaus kasetės. Dėl to ji gali užsidegti, per daug įkaisti arba sprogti.
3. Jei įrankio darbo laikas žymiai sutrumpėjo, nedelsdami nutraukite darbą su įrankiu. Tai gali kelti perkaitimo, nudegimų ar net sprogo pavojų.
4. Jei elektrolitas pateko į akis, plaukite jas tyru vandeniu ir nedelsdami kreipkitės į gydytoją. Gali kilti regėjimo praradimo pavojus.
5. Neužtrumpinkite akumulatoriaus kasetės:
 - (1) Nelieskite kontaktų degiomis medžiagomis.
 - (2) Venkite laikyti akumulatoriaus kasetę kartu su kitais metaliniais daiktai, pavyzdžiui, vinimis, monetomis ir pan.
 - (3) Saugokite akumulatoriaus kasetę nuo vandens ir lietaus.

Trumpasis jungimas akumuliatorius gali sukelti stiprią srovę, perkaitimą, galimus nudegimus ar net akumuliatoriaus gedimą.

6. Nelaikykite ir nenaudokite įrankio ir akumuliatoriaus kasetės vietose, kur temperatūra gali pasiekti ar viršyti 50 °C (122 °F).
7. Nedeginkite akumuliatoriaus kasetės, net jei yra stipriai pažeista ar visiškai susidėvėjusi. Ugnyje akumuliatoriaus kasetė gali sprogti.
8. Akumuliatoriaus kasetės nekalkite, nepjaus-tykite ir nemėtykite ir taip pat į ją netrankykite kietu daiktu. Taip elgiantis, ji gali užsidegti, per daug įkaisti arba sprogti.
9. Nenaudokite pažeisto akumuliatoriaus.
10. Įdėtoms ličio jonų akumuliatoriams taikomi Pavojingų prekių teisės akto reikalavimai. Komercinis transportas, pvz., trečiųjų šalių, priekiu vežimo atstovų, turi laikytis specialaus reikalavimo ant pakuočių ir ženklavimo. Norėdami paruošti siųstiną prekę, pasitarkite su pavojingų medžiagų specialistu. Be to, laikykitės galimai išsamesnių nacionalinių reglamentų. Užklijuokite juosta arba padenkite atvirus kontaktus ir supakuokite akumuliatorių taip, kad ji pakuo- tėje nejudėtų.
11. Kai išmetate akumuliatoriaus kasetę, išimkite ją iš įrankio ir išmeskite saugioje vietoje. Vadovaukitės vietos reglamentais dėl akumu- liatorių išmetimo.
12. Baterijas naudokite tik su „Makita“ nurodytais gaminiiais. Baterijas įdėjus į netinkamus gaminius gali kilti gaisras, gaminys pernelyg kaisti, kilti sprogimas arba pratekėti elektrolitas.
13. Jei įrankis bus ilgą laiką nenaudojamas, aku- muliatorių būtina išimti iš įrankio.
14. Darbo metu ir po akumuliatoriaus kasetę gali būti įkaitusi ir dėl to nudeginti. Imdami akumu- liatoriaus kasetes, būkite atsargūs.
15. Tuojau pat po naudojimo nelieskite įran- kio gnybtų, nes jie gali būti įkaitę tiek, kad nudegins.
16. Neleiskite, kad į akumuliatoriaus kasetės gnybtus, angas ir griovelius patektų drožlių, dulkių ar žemių. Dėl to įrankis ar akumuliatoriaus kasetė gali imti prastai veikti ar sugesti.
17. Jeigu įrankis nėra pritaikytas naudoti šalia aukštos įtampos elektros linijų, akumu- liatoriaus kasetės nenaudokite šalia aukštos įtampos elektros linijų. Dėl to gali sutrikti įrankio ar akumuliatoriaus kasetės veikimas arba jie gali sugesti.
18. Laikykite akumuliatorių vaikams nepasiekia- moje vietoje.

SAUGOKITE ŠIAS INSTRUKCIJAS.

▲PERSPĖJIMAS: Naudokite tik originalų „Makita“ akumuliatorių. Neoriginalaus „Makita“ arba pakeisto akumuliatoriaus naudojimas gali nulemti gaisrą, asmens sužalojimą ir pažeidimą. Tai taip pat panaikina „Makita“ suteikiamą „Makita“ įrankio ir įkroviklio garantiją.

Patarimai, ką daryti, kad akumu- liatoriaus veikimą kuo ilgiau

1. Pakraukite akumuliatoriaus kasetę prieš jai visiškai išsikraunant. Visuomet nustokite naudoti įrankį ir pakraukite akumu- liatoriaus kasetę, kai pastebite, kad įrankio galia sumažėjo.
2. Niekada nekraukite iki galo įkrautos akumuliatoriaus kasetės. Perkraunant trumpėja akumu- liatoriaus eksploatacijos laikas.
3. Akumuliatoriaus kasetę kraukite esant kam- bario temperatūrai 10 - 40 °C. Prieš pradėdami krauti, leiskite įkautusiai akumuliatoriaus kase- tei atvėsti.
4. Kai akumuliatoriaus kasetės nenaudojate, ją išimkite iš įrankio ar įkroviklio.
5. Įkraukite akumuliatoriaus kasetę, jei jos nenu- dojate ilgą laiką (ilgiau nei šešis mėnesius).

VEIKIMO APRAŠYMAS

▲PERSPĖJIMAS: Prieš pradėdami reguliuoti arba tikrinti įrankio veikimą, visuomet būtinai išjunkite įrankį ir išimkite akumuliatoriaus kasetę.

Akumuliatoriaus kasetės uždėjimas ir nuėmimas

▲PERSPĖJIMAS: Prieš įdėdami arba išimdami akumuliatoriaus kasetę, visada išjunkite įrankį.

▲PERSPĖJIMAS: Įdėdami arba išimdami aku- muliatoriaus kasetę, tvirtai laikykite įrankį ir aku- muliatoriaus kasetę. Jeigu įrankį ir akumuliatoriaus kasetę laikysite netvirtai, jie gali išslysti iš jūsų rankų, todėl įrankis ir akumuliatoriaus kasetė gali būti suga- dinti, o naudotojas sužalotas.

▲PERSPĖJIMAS: Su diskiniu pjūklų nenaudo- kite akumuliatoriaus adapterio. Akumuliatoriaus adapterio kabelis gali trukdyti darbui ir sužaloti.

- Pav.7: 1. Raudonas sandariklis (indikatorius)
2. Mygtukas 3. Akumuliatoriaus kasetė

Jei norite išimti akumuliatoriaus kasetę, ištraukite ją iš įrankio, stumdami mygtuką, esantį kasetės priekyje.

Jei norite įdėti akumuliatoriaus kasetę, sulygiuokite lie- žuvėlį ant akumuliatoriaus kasetės su grioveliu korpuse ir įstumkite į jai skirtą vietą. Įdėkite iki galo, kol sprag- telėdama užsifiksuos. Jeigu matote raudoną sandariklį (indikatorių) viršutinėje mygtuko pusėje, ji nėra visiškai užfiksuota.

▲PERSPĖJIMAS: Akumuliatoriaus kasetę visada įkiškite iki galo, kol nebematysite rau- dono sandariklio (indikatoriaus) Priešingu atveju ji gali atsitiktinai iškristi iš įrankio ir sužeisti jus arba aplinkinius.

▲PERSPĖJIMAS: Nekiškite akumuliatoriaus kasetės įėga. Jeigu kasetė sunkiai lenda, ją kiškite netinkamai.

Įrankio / akumulatoriaus apsaugos sistema

Įrankyje įrengta įrankio / akumulatoriaus apsaugos sistema. Ši sistema automatiškai atjungia variklio maitinimą, kad įrankis ir akumulatorius ilgiau veiktų. Įrankis automatiškai išsijungs darbo metu esant vienai iš toliau nurodytų įrankio arba akumulatoriaus darbo sąlygų. Esant tam tikroms sąlygoms užsidega indikatoriai.

Apsauga nuo perkrovos

Kai įrankis / akumulatorius naudojamas taip, kad neįprastai padidėja elektros srovė, įrankis automatiškai išsijungia. Tokiu atveju išjunkite įrankį ir nutraukite darbą, dėl kurio kilo įrankio perkrova. Tada vėl įjunkite įrankį.

Apsauga nuo perkaitimo

Kai įrankis / akumulatorius perkaista, įrankis automatiškai išsijungia. Tokiu atveju palaukite, kol įrankis atvės, paskui vėl jį įjunkite.

























Apsauga nuo visiško išsikrovimo

Žymiai sumažėjus akumulatoriaus galiai, įrankis automatiškai išsijungia. Jeigu gaminyje neveikia net ir spaudžiant jungiklius, išimkite akumuliatorių iš įrankio ir įkraukite.

Likusios akumulatoriaus galios rodymas

Paspauskite akumulatoriaus kasetės tikrinimo mygtuką, kad būtų rodoma likusi akumulatoriaus energija. Maždaug trims sekundėms užsidegs indikatorius lemputės.

► **Pav.8:** 1. Indikatorių lemputės 2. Tikrinimo mygtukas

Indikatorių lemputės			Likusi galia
Šviečia	Nešviečia	Blyksti	
			
			75 - 100 %
			50 - 75 %
			25 - 50 %
			0 - 25 %
			Įkraukite akumuliatorių.
			Galimai įvyko akumulatoriaus veikimo triktis.
			

PASTABA: Rodmuo gali šiek tiek skirtis nuo faktinės energijos lygio – tai priklauso nuo naudojimo sąlygų ir aplinkos temperatūros.

PASTABA: Veikiant akumulatoriaus apsaugos sistemai ims mirksėti pirmoji (toliausiai kairėje) indikatoriaus lemputė.

Automatinio greičio keitimo funkcija

Šis įrankis turi „didelio greičio režimą“ ir „didelio sukimo momento režimą“.

Įrankis automatiškai perjungia darbo režimą atsižvelgiant į darbo apkravą. Kai darbo apkrova maža, įrankis veiks didelio greičio režimu, kad greičiau pjautų. Kai darbo apkrova didelė, įrankis veiks didelio sukimo momento režimu, kad galingiau pjautų.

Pjovimo gylio reguliavimas

▲ PERSPĖJIMAS: Nustatę pjovimo gylį, visada patikimai užtvirtinkite svirtelę.

Atlaisvinkite ant gylio kreiptuvo esančią svirtelę ir slinkite pagrindą aukštyn arba žemyn. Nustatę norimą pjovimo gylį, užtvirtinkite pagrindą, užverždami svirtelę. Norėdami pjauti švariau ir saugiau, nustatykite tokį pjovimo gylį, kad už ruošinio kyšotų tik vienas disko dantis. Tinkamo pjovimo gylio pasirinkimas padeda sumažinti galimą ATATRANKOS pavojų, dėl kurios galima susižeisti.

► **Pav.9:** 1. Svirtis

Įstrižųjų pjūvių darymas

▲ PERSPĖJIMAS: Paregulavę nuožulnumo kampą, visada tvirtai užveržkite svirtį.

Atlaisvinkite svirtelę ir atitinkamai pakreipdami, nustatykite norimą kampą, po to tvirtai priveržkite svirtelę.

► **Pav.10:** 1. Svirtis

Teigiamas kaištis

Teigiamas stabdiklis yra naudingas, norint greitai nustatyti nurodytą kampą. Pasukite teigiamą kaištį taip, kad ant jo esanti rodyklė būtų nukreipta į norimą posvyrio kampą (maždaug 22,5° / 45° / 53°). Atlaisvinkite svirtelę ir kreipkite įrankio pagrindą, kol jis sustos. Padėtis, kurioje sustoja įrankio pagrindas, yra jūsų teigiamu kaiščiu nustatytas kampas. Priveržkite svirtelę, kai įrankio pagrindas šioje padėtyje.

► **Pav.11:** 1. Teigiamas kaištis

Nutaikymas

Norėdami atlikti tiesius pjūvius, sulygiuokite pagrindo priekyje pažymėtą 0° padėtį su pjovimo linija. Norėdami atlikti įstrižuosius 45° pjūvius, su pjovimo linija sulygiuokite 45° padėtį.

► **Pav.12:** 1. Pjovimo linija (0° padėtis) 2. Pjovimo linija (45° padėtis)

Jungiklio veikimas

⚠️ JSPĖJIMAS: Prieš montuodami akumuliatoriaus kasetę įrankyje, visuomet patikrinkite, ar gaidukas tinkamai veikia ir atleistas grįžta į išjungimo padėtį „OFF“.

⚠️ JSPĖJIMAS: NIEKADA neužklijuokite atlaisvinimo mygtuko lipnia juoste ir nepanaikinkite jo funkcijos kitomis priemonėmis. Jungiklis su užblokuotu atlaisvinimo mygtuku gali netyčia įjungti įrankį ir operatorius gali būti sunkiai sužeistas.

⚠️ JSPĖJIMAS: NIEKADA nenaudokite įrankio, jei jis veikia nuspaudus tik gaiduką, tačiau nenuspaudus atlaisvinimo mygtuko. Jungiklis, kurį reikia taisyti, gali netyčia įjungti įrankį ir operatorius gali būti sunkiai sužeistas. PRIEŠ pradėdami vėl naudoti įrankį, atiduokite jį suremontuoti į „Makita“ techninės priežiūros centrą.

⚠️ PERSPĖJIMAS: Įrankis iškart pradeda stabdyti diskinio pjūklo diską, kai tik atleidžiate gaiduką. Kai atleidžiate gaiduką, tvirtai laikykite įrankį, kad galėtumėte reaguoti į stabdymą. Staiga įrankis gali iškristi iš jūsų rankos ir sukelti sužalojimą.

Atlaisvinimo mygtukas neleidžia atsitiktinai paspausti gaiduko. Jei norite įjungti įrankį, paspauskite atlaisvinimo mygtuką ir gaiduką. Norėdami įrankį išjungti, gaiduką atleiskite.

► **Pav.13:** 1. Gaidukas 2. Atlaisvinimo mygtukas

PASTABA: Negalima stipriai spausti jungiklio gaiduko, nenuspaudus atlaisvinimo mygtuko. Taip galima sugadinti jungiklį.

Elektrinis stabdiklis

Šiame įrankyje įrengtas elektrinis peilio stabdiklis. Jeigu atleisus jungiklio svirtelę įrankiui nepavyksta greitai sustabdyti diskinio pjūklo diską, pristatykite jį į „Makita“ techninės priežiūros centrą, kad atliktų techninę priežiūrą.

⚠️ PERSPĖJIMAS: Peilio stabdiklio sistema nėra peilio apsauginio įtaiso pakaitalas. NIEKADA NENAUDOKITE ĮRANKIO BE NEVEIKIANČIO PEILIO APSAUGINIO ĮTAISO. DĖL TO GALIMA SUNKIAI SUSIŽALOTI.

Elektroninė funkcija

Įrenginiais, turinčiais elektroninę funkciją, lengva naudotis dėl toliau nurodytų veikimo savybių.

Tolygaus įjungimo funkcija

Tolygus įjungimas dėl nuslopinto įjungimo smūgio.

SURINKIMAS

⚠️ PERSPĖJIMAS: Prieš darydami ką nors įrankiui visada patikrinkite, ar įrenginys išjungtas, o akumuliatorių kasetę – nuimta.

Vieta lenktam veržliarakčiui laikyti

Nenaudojamą lenktą veržliarakštį, kad jo nepamestumėte, laikykite taip, kaip parodyta paveikslėlyje.

► **Pav.14:** 1. Lenktas veržliarakštis

Apvalaus pjovimo disko sumontavimas arba nuėmimas

⚠️ PERSPĖJIMAS: Patikrinkite, ar sumontuoto apvalaus pjovimo disko dantys įrankio priekyje nukreipti aukštyn.

⚠️ PERSPĖJIMAS: Diskinio pjūklo diskui sumontuoti arba nuimti naudokite tik „Makita“ lenktą veržliarakštį.

Norėdami nuimti diskinio pjūklo diską, iki galo nuspauskite ašies fiksatorių, kad diskinio pjūklo diskas negalėtų sukstis, ir lenktu veržliarakčiu atlaisvinkite varžtą su šešiabriaune lizdine galvute. Tada išsukite šešiakampį varžtą, išimkite išorinę jungę, diskinio pjūklo diską ir žiedą (priklausomai nuo šalies).

► **Pav.15:** 1. Ašies fiksatorius 2. Lenktas veržliarakštis 3. Atlaisvinti 4. Priveržti

Įrankis be žiedo

► **Pav.16:** 1. Varžtas su šešiabriaune lizdine galvute 2. Išorinė jungė 3. Diskinio pjūklo diskas 4. Rodyklė ant diskinio pjūklo disko 5. Vidinė jungė 6. Rodyklė ant įrankio

Įrankis su žiedu

► **Pav.17:** 1. Varžtas su šešiabriaune lizdine galvute 2. Išorinė jungė 3. Diskinio pjūklo diskas 4. Rodyklė ant diskinio pjūklo disko 5. Žiedas 6. Vidinė jungė 7. Rodyklė ant įrankio

Jei norite sumontuoti diskinio pjūklo diską, atlikite nuėmimo procedūrą atvirkščia tvarka.

Sutapdinkite ant diskinio pjūklo disko esančios rodyklės kryptį su ant įrankio esančia rodykle.

Įrankis su vidine jungė, skirta pjovimo diskui su kitokia nei 15,88 mm skersmens vidine anga

Vienoje vidinės jungės pusėje yra vienokio skersmens iškyša, o kitoje – kitokio skersmens iškyša. Pasirinkite tinkamą pusę, kurios iškyša idealiai tinka diskinio pjūklo disko angai. Dėkite vidinę jungę ant tvirtinimo veleno taip, kad vidinės jungės tinkamos pusės iškyša būtų nukreipta į išorę, paskui uždėkite diskinio pjūklo diską ir išorinę jungę.

► **Pav.18:** 1. Tvirtinimo velenas 2. Vidinė jungė 3. Diskinio pjūklo diskas 4. Išorinė jungė 5. Varžtas su šešiabriaune lizdine galvute

⚠️ JSPĖJIMAS: PATIKRINKITE, AR TVIRTAI UŽVERŽĖTE ŠEŠIAKAMPĮ VARŽTĄ, SUKDAMI PRIEŠ LAIKRODŽIO RODYKLĘ. Tačiau neveržkite varžto per jėgą. Nuslydus rankai nuo šešiabriaunio rakto, galima susižaloti.

⚠️ JSPĖJIMAS: Įsitinkinkite, ar į išorę nukreipta vidinės jungės iškyša „a“ idealiai atitinka pjūklo disko angą „a“. Uždėjus diskinio pjūklo diską netinkama puse, gali kilti pavojinga vibracija.

Įrankis su vidine jungė, skirta pjovimo diskui su 15,88 mm skersmens vidine anga (pritaikyta konkrečiai šaliai)

Dėkite vidinę jungę ant tvirtinimo veleno taip, kad įdubusi vidinės jungės pusė būtų nukreipta į išorę, tada uždėkite pjovimo diską (jei reikia, uždėję žiedą), išorinę jungę ir įsukite varžtą su šešiabriaune lizdine galvute.

Įrankis be žiedo

- **Pav.19:** 1. Tvirtinimo velenas 2. Vidinė jungė
3. Diskinio pjūklo diskas 4. Išorinė jungė
5. Varžtas su šešiabriaune lizdine galvute

Įrankis su žiedu

- **Pav.20:** 1. Tvirtinimo velenas 2. Vidinė jungė
3. Diskinio pjūklo diskas 4. Išorinė jungė
5. Varžtas su šešiabriaune lizdine galvute
6. Žiedas

⚠️ JSPĖJIMAS: PATIKRINKITE, AR TVIRTAI UŽVERŽĖTE ŠEŠIAKAMPĮ VARŽTĄ, SUKDAMI PRIEŠ LAIKRODŽIO RODYKLĘ. Tačiau neveržkite varžto per jėgą. Nuslydus rankai nuo šešiabriaunio rakto, galima susižaloti.

⚠️ JSPĖJIMAS: Jei diskinio pjūklo diskui ant veleno uždėti reikalingas žiedas, visada patikrinkite, ar tarp vidinės ir išorinės jungių uždėtas žiedas, tinkantis ketinamo naudoti diskinio pjūklo disko veleno angai. Naudojant netinkamo skersmens veleno angai skirtą žiedą, diskinio pjūklo diskas gali būti sumontuotas netinkamai, būti per laisvas ir stipriai vibruoti, todėl galima nesuvaldyti įrankio ir sunkiai susižaloti.

Disko apsauginio gaubto valymas

Keisdami apvalų pjovimo diską, būtina išvalyti ir viršutiniam bei apatiniame apsauginiuose disko gaubtuose susikaupusias pjuvenas, kaip nurodyta techninės priežiūros skyriuje. Visgi prieš kiekvieną naudojimą būtina patikrinkite, ar tinkamai veikia apatinis apsauginis gaubtas.

Dulkių siurblio prijungimas

Pasirenkamas priedas

PASTABA: Guminį gaubtelį laikykite įrankio priekyje, kad nepažeistumėte.

PASTABA: Kai vakuuminio valymo įrenginio nenaudojate, pritvirtinkite guminį gaubtelį prie dulkių ištraukimo antgalio.

Nuimkite guminį gaubtelį nuo dulkių ištraukimo antgalio ir prijunkite vakuuminio valymo įrenginio žarną.

- **Pav.21:** 1. Guminis gaubtelis

Jei norite pjauti užtikrindami švarą, prie įrankio prijunkite „Makita“ vakuuminį valymo įrenginį. Vakuuminio valymo įrenginio žarną prie dulkių ištraukimo antgalio prijunkite, naudodami 24 priekinius antgalius.

- **Pav.22:** 1. Vakuuminio valymo įrenginio žarna 2. 24 priekiniai antgaliai 3. Dulkių surenkamasis antgalis 4. Guminis gaubtelis

NAUDOJIMAS

Šis įrankis skirtas tik medienos gaminiams pjauti. Dėl informacijos apie tinkamus diskinio pjūklo diskus, skirtus naudoti pjautinai medžiagai, žr. žiniatinklo svetainėje arba kreipkitės į vietinį „Makita“ prekybos atstovą.

Pjūklo disko apsauginio įtaiso veikimas

Įstrižąjį kampą nustatykite ties 0°, ranka iki galo traukite apatinį apsauginį įtaisą ir atleiskite. Apatinis apsauginis įtaisas veikia tinkamai, jei:

- yra įtrauktas virš pagrindo be jokių kliūčių ir
 - automatiškai grįžta ir paliečia stabdiklį.
- **Pav.23:** 1. Viršutinis apsauginis įtaisas 2. Apatinis apsauginis įtaisas 3. Pagrindas
4. Stabdiklis 5. Atidaryti 6. Uždaryti

Jei apatinis apsauginis įtaisas veikia netinkamai, patikrinkite, ar viršutiniame ir apatiniame apsauginiuose įtaisuose nesusikaupę pjuvenų. Jei apatinis apsauginis įtaisas veikia netinkamai net ir pašalinus pjuvenas, pasirūpinkite, kad įrankio techninė priežiūra būtų atlikta „Makita“ techninės priežiūros centre.

⚠️ PERSPĖJIMAS: Pjudami dėvėkite kaukę nuo dulkių.

⚠️ PERSPĖJIMAS: Atsargiai tiesiai traukite įrankį į priekį. Traukiant jėgą arba sukant įrankį, variklis gali perkaisti, atsirasti pavojinga atatranka, kuri kelia pavojų sunkiai susižeisti.

PASTABA: Kai akumuliatoriaus kasėtė yra šalta, įrankis gali veikti ne visu pajėgumu. Tokiu atveju kurį laiką naudokite įrankį, pavyzdžiui, nedideliems pjovimo darbams, kol akumuliatoriaus kasėtė sušils iki kambario temperatūros. Tuomet įrankis galės veikti visu pajėgumu.

Tvirtai laikykite įrankį. Įrankyje įtaisytos priekinė ir galinė rankenos. Norėdami tvirtai laikyti įrankį, laikykite už abiejų rankenų. Jei pjūklą laikysite abiem rankomis, diskinio pjūklo diskas negalės jį įpjauti. Padėkite įrankio pagrindą ant ruošinio, kurį pjausite, taip, kad diskinio pjūklo diskas neliestų ruošinio. Įjunkite įrankį ir palaukite, kol diskinio pjūklo diskas pradės sukstis visu greičiu. Tada tiesiog stumkite įrankį ruošinio paviršiumi į priekį, laikydami lygiai ir tolygiai stumdami, kol baigsite pjauti. Kad pjūviai būtų tiesūs, išlaikykite tiesią pjovimo liniją ir tolygiai stumkite įrankį. Jei pjaudami nukrypote nuo numatytos pjovimo linijos, nebandykite pasukti arba jėga gražinti įrankio į pjovimo liniją. Taip darant diskinio pjūklo diskas gali pradėti strigti, sukelti pavojingą atitrangą ir sunkiai sužaloti. Atleiskite jungiklį, palaukite, kol diskinio pjūklo diskas sustos, ir atitraukite įrankį. Sulygiuokite įrankį pagal naują pjovimo liniją ir vėl pradėkite pjauti. Stenkitės išvengti tokios padėties, kurioje į įrenginio valdytoją nuo pjūklo lekia atplaišos ir medžio dulkės. Kad išvengtumėte sužalojimų, užsidėkite apsauginius akinius.

Kablys

⚠ PERSPĖJIMAS: Prieš pakabindami įrankį ant kablo, visada ištraukite iš jo akumuliatorių.

⚠ PERSPĖJIMAS: Niekada nekabinkite įrankio aukštai arba ant paviršių, kur įrankis gali netekti pusiausvyros ir nukristi. Priešingu atveju jis gali nukristi ir sunkiai sužaloti.

⚠ PERSPĖJIMAS: Netraukite įrankio žemyn, kai jis yra pakabintas.

⚠ PERSPĖJIMAS: Naudokite pakabinamas / montuojamas dalis tik pagal jų paskirtį. Naudojant ne pagal paskirtį, gali įvykti nelaimingas atsitikimas arba galima susižaloti.

Kablys yra patogus, kai reikia trumpam pakabinti įrankį. Norėdami naudoti kablį, tiesiog pakelkite ir atverskite kablį, kad jis spragtelėdamas užsifikuotų. Kai jo nenaudojate, visada lenkite kablį, kol jis spragtelės, užfiksuojamasis į nuleistą padėtį.

▶ **Pav.25:** 1. Kablys 2. Atvira padėtis 3. Uždara padėtis

▶ Pav.26

Prapjovos kreiptuvas (kreipiamoji liniuotė)

Pasirenkamas priedas

Patogus prapjovos kreiptuvas leidžia padaryti labai tikslius tiesius pjūvius. Tiesiog priglauskite prapjovos kreiptuvą prie ruošinio šono ir pagrindo priekyje esančiu varžtu užtvirtinkite jį tokioje padėtyje. Šis įrenginys taip pat leidžia atlikti vienodo pločio pjūvius.

▶ **Pav.27:** 1. Prapjovos kreiptuvas (kreipiamoji liniuotė) 2. Suveržimo varžtas

Saugos diržo (diržo) jungtis

⚠ Saugos įspėjimai naudojant aukštai Perskaitite visus saugos įspėjimus ir nurodymus. Nepaisant įspėjimų ir nurodymų, galima sunkiai susižeisti.

- 1. Kai dirbate aukštai, įrankį visada laikykite pririštą. Maksimalus saugos diržo ilgis yra 2 m (6,5 pėd.). Didžiausias leistinas saugos dirželio (diržo) kritimo aukštis neturi viršyti 2 m (6,5 pėd.).**
 - 2. Naudokite tik šiam įrankio tipui tinkamus saugos diržus, skirtus bent 7,0 kg (15,4 sv.).**
 - 3. Netvirtinkite įrankio saugos diržo prie savęs ar ant judančių dalių. Įrankio saugos diržą tvirtinkite prie tvirtos konstrukcijos, kad jis išlaikytų numesto įrankio jėgas.**
 - 4. Prieš naudojimą įsitikinkite, kad saugos diržas yra tinkamai pritvirtintas kiekviename gale.**
 - 5. Prieš kiekvieną naudojimą patikrinkite įrankį ir saugos diržą, ar nesugadinti ir tinkamai veikia (įskaitant audinį ir siūles). Jeigu sugadinti arba veikia netinkamai, nenaudokite.**
 - 6. Nevyniokite saugos diržų aplink ir neleiskite jiems liestis prie aštrių ar grubių kraštų.**
 - 7. Kitą saugos diržo galą pritvirtinkite ne darbo zonoje, kad krintantis įrankis būtų saugiai prilaikomas.**
 - 8. Pritvirtinkite saugos diržą taip, kad įrankis kritimo atveju judėtų tolyn nuo operatoriaus. Nukritę įrankiai supsis ant saugos diržo, todėl galima susižaloti arba prarasti pusiausvyrą.**
 - 9. Nenaudokite šalia judančių dalių ar veikiančių įrengimų.** Jeigu nesilaikysite šio nurodymo, gali kilti sutraiškymo ar įsispainiojimo pavojus.
 - 10. Neneškite įrankio, paėmę už tvirtinimo įtaiso arba saugos diržo.**
 - 11. Įrankį iš vienos rankos į kitą perimkite tik tada, kai galite tinkamai išlaikyti pusiausvyrą.**
 - 12. Netvirtinkite saugos diržų prie įrankio taip, kad apsaugai, jungikliai ar atlaisvinimo įtaisai negalėtų tinkamai veikti.**
 - 13. Stenkitės nesusipainioti saugos diržuose.**
 - 14. Saugos diržą laikykite kuo toliau nuo įrankio pjovimo vietos.**
 - 15. Naudokite kelių veiksmų ir varžtų tipo karabinus. Nenaudokite vieno veiksmo spyruoklinio užsegimo karabinų.**
 - 16. Jeigu įrankis numetamas, jis turi būti pažymėtas ir pašalintas iš eksploatacijos; jį taip pat turi patikrinti „Makita“ gamykla ar įgaliotasis aptarnavimo centras.**
- ▶ **Pav.28:** 1. Saugos diržo (diržo) anga

TECHNINĖ PRIEŽIŪRA

▲PERSPĖJIMAS: Visuomet įsitikinkite, ar įrankis yra išjungtas ir akumuliatoriaus kasetė yra nuimta prieš atlikdami apžiūrą ir priežiūrą.

▲PERSPĖJIMAS: Išvalykite viršutinį ir apatinį apsauginius gaubtus, kad neliktų susikaupusių pjuvenų, kurios gali trukdyti veikti apatinei apsaugos sistemai. Nešvari apsaugos sistema gali tinkamai neveikti ir dėl to galima sunkiai susižaloti. Norint išvalyti efektyviausiai, reikia naudoti suslėgtą orą. **Pučiant pjuvenas iš apsauginių gaubtų, būtina naudoti tinkamą akių ir kvėpavimo organų apsaugą.**

▲PERSPĖJIMAS: Po kiekvieno naudojimo nuvalykite pjovimo metu susidariusias dulkes nuo įrankio. Smulkios pjovimo metu susidariusios dulksės gali patekti į įrankį ir sukelti gedimą arba gaisrą.

PASTABA: Niekada nenaudokite gazolino, benzino, tirpiklio, spirito arba panašių medžiagų. Gali atsirasti išblukimų, deformacijų arba įtrūkimų.

Kad gaminsys būtų SAUGUS ir PATIKIMAS, jį taisyti, apžiūrėti ar vykdyti bet kokią kitą priežiūrą ar derinimą turi įgaliotasis kompanijos „Makita“ techninės priežiūros centras; reikia naudoti tik kompanijos „Makita“ pagamintas atsargines dalis.

0° pjūvio tikslumo reguliavimas

Šis reguliavimas atliktas gamykloje. Jei įrankis išsireguliuavo, jį galite vėl sureguliuoti atlikdami toliau aprašytą procedūrą.

1. Šiek tiek atlaisvinkite svirtelę ant įstrižos skalės plokštelės.
2. Naudodami trikampę arba stačius kampo liniuotę ir sukdami reguliavimo varžtą, nustatykite, kad pagrindas būtų statmenas diskui.
► **Pav.29:** 1. Trikampę liniuotė 2. Reguliavimo varžtas
3. Priveržkite svirtelę ir pabandykite pjauti, kad patikrintumėte, ar diskas vertikalus.

PASIRENKAMI PRIEDAI

▲PERSPĖJIMAS: Šiuos papildomus priedus arba įtaisus rekomenduojama naudoti su šioje instrukcijoje nurodytu „Makita“ bendrovės įrankiu. Naudojant bet kokius kitus papildomus priedus arba įtaisus, gali kilti pavojus sužeisti žmones. Naudokite tik nurodytam tikslui skirtus papildomus priedus arba įtaisus.

Jeigu norite daugiau sužinoti apie tuos priedus, kreipkitės į artimiausią „Makita“ techninės priežiūros centrą.

- Apvalus pjovimo diskas
- Lenktas veržliaraktis
- Prapjovos kreiptuvas (kreipiamoji liniuotė)
- 24 priekiniai antgaliai
- Originalus „Makita“ akumuliatorius ir įkroviklis

PASTABA: Kai kurie sąraše esantys priedai gali būti pateikti įrankio pakuotėje kaip standartiniai priedai. Jie įvairiose šalyse gali skirtis.

TEHNILISED ANDMED

Mudel:	RS001G	
Tera läbimõõt	185 mm	
Max. löikesügavus	0° juures	65 mm
	45° kaldserva juures	45 mm
	53° kaldserva juures	38 mm
Koormuseta kiirus	6 400 min ⁻¹	
Üldpikkus	446 mm	
Nimipinge	Alalisvool 36 V – 40 V max	
Netokaal	5,0 – 5,6 kg	

- Meie pideva uuringu- ja arendusprogrammi tõttu võidakse tehnilisi andmeid muuta ilma sellest ette teatamata.
- Tehnilised andmed võivad riigiti erineda.
- Kaal võib erineda olenevalt lisaseadistest, kaasa arvatud akussetit. Kergeim ja raskeim kombinatsioon EPTA-protseduuri 01/2014 kohaselt on toodud tabelis.

Sobiv akukassett ja laadija

Akukassett	BL4025 / BL4040* / BL4050F* *: Soovituslik aku
Laadija	DC40RA / DC40RB / DC40RC

- Mõned eespool loetletud akukassetid ja -laadijad ei pruugi olla teie riigis saadaval.

⚠HOIATUS: Kasutage ainult ülalpool loetletud akukassette ja laadureid. Muude akukassetide ja laadurite kasutamine võib tekitada vigastusi ja/või tulekahju.

Kavandatud kasutus

Tööriist on ette nähtud puidust piki- ja ristsuunaliste sirgjooneliste lõigete ja erineva nurga all faaside lõikamiseks tihedas kokkupuutes töödeldava detailiga.

Müra

Tüüpiline A-korrigeeritud müratase, määratud standardi EN62841-2-5 kohaselt:

Helirõhutase (L_{pA}): 92 dB (A)

Helivõimsuse tase (L_{WA}): 103 dB (A)

Määramatus (K): 3 dB (A)

MÄRKUS: Deklareeritud müra väärtust (väärtuseid) on mõõdetud kooskõlas standardse katsemeetodiga ning seda võib kasutada ühe seadme võrdlemiseks teisega.

MÄRKUS: Deklareeritud müra väärtust (väärtuseid) võib kasutada ka mürataseme esmaseks hindamiseks.

⚠HOIATUS: Kasutage kõrvakaitsmeid.

⚠HOIATUS: Müratase võib elektritööriista tegelikkuses kasutamise ajal erineda deklareeritud väärtus(t)est olenevalt tööriista kasutusviisidest ja eriti töödeldavast toorikust.

⚠HOIATUS: Rakendage operaatori kaitsmiseks kindlasti piisavaid ohutusabinõusid, mis põhinevad hinnangulisel müratasemel tegelikus töösituatsioonis (võttes arvesse tööperioodi kõiki osasid, näiteks korrad, kui seade lülitatakse välja ja seade töötab tühikäigul, lisaks tööajale).

Vibratsioon

Vibratsiooni koguväärtus (kolmeteljeliste vektorite summa) määratud standardi EN62841-2-5 kohaselt:

Töörežiim: puidu saagimine

Vibratsiooniheide ($a_{h,w}$): 2,5 m/s² või vähem

Määramatus (K): 1,5 m/s²

MÄRKUS: Deklareeritud vibratsiooni koguväärtust (-väärtuseid) on mõõdetud kooskõlas standardse katsemeetodiga ning seda võib kasutada ühe seadme võrdlemiseks teisega.

MÄRKUS: Deklareeritud vibratsiooni koguväärtust (-väärtuseid) võib kasutada ka mürataseme esmaseks hindamiseks.

⚠HOIATUS: Vibratsioonitase võib elektritööriista tegelikkuses kasutamise ajal erineda deklareeritud väärtus(t)est olenevalt tööriista kasutusviisidest ja eriti töödeldavast toorikust.

⚠HOIATUS: Rakendage operaatori kaitsmiseks kindlasti piisavaid ohutusabinõusid, mis põhinevad hinnangulisel müratasemel tegelikus töösituatsioonis (võttes arvesse tööperioodi kõiki osasid, näiteks korrad, kui seade lülitatakse välja ja seade töötab tühikäigul, lisaks tööajale).

EÜ vastavusdeklaratsioon

Ainult Euroopa riikide puhul

EÜ vastavusdeklaratsioon sisaldub käesoleva juhendi Lisas A.

Üldised elektritööriistade ohutusohiatused

⚠ HOIATUS: Lugege läbi kõik selle elektritööriistaga kaasas olevad ohutusohiatused, juhised, joonised ja tehnilised andmed. Järgnevate juhiste eiramine võib põhjustada elektrilöögi, süttimise ja/või raske kehavigastuse.

Hoidke edaspidisteks viide- teks alles kõik hoiatused ja juhtnöörid.

Hoiatuses kasutatud termini „elektritööriist“ all peetakse silmas elektriga töötavaid (juhtmega) elektritööriistu või akuga töötavaid (juhtmeta) elektritööriistu.

Juhtmeta ketassae ohutusnõuded

Lõikamine

- ⚠ OHT:** Hoidke käed lõikepiirkonnast ja -terast eemal. Hoidke oma teist kätt abikäepidemel või mootori korpusel. Kui tööriista hoitakse mõlema käega, siis ei satu need lõiketera ette.
 - Ärge kummardage töödeldava detaili alla. Piire ei kaitse teid lõiketera eest töödeldava detaili all.
 - Reguleerige lõikesügavust vastavalt töödeldava detaili paksusele. Töödeldava detaili all peavad olema näha lõiketera hambad vähem kui terve hamba kõrguse ulatuses.
 - Ärge hoidke mitte kunagi töödeldavat detaili lõikamise ajal käes ega põlve peal. Kinnitage töödeldav detail stabiilsele alusele. Oluline on töödeldavat detaili õigesti toestada, et vähendada keha kaitseta jätmist, lõiketera kinnikiilumist või kontrolli kaotust.
- Joon.1
- Hoidke elektritööriista isoleeritud käepidemetest, kui töötate kohtades, kus lõikeriist võib kokku puutuda peidetud juhtmega. Kokkupuude voolu all oleva juhtmega võib pingestada ka elektritööriista katmata metallosad ning operaator võib saada elektrilöögi.
 - Pikilõikamisel kasutage alati piiret või sirge serva juhikut. See parandab lõike täpsust ja vähendab lõiketera kinnikiilumise võimalust.
 - Kasutage alati õige suuruse ja kujuga (teemantavalise asemel) võlliaukudega lõiketerasid. Sae konstruktsiooniga mitteühtivad lõiketerad hakkavad liikuma ekstsentriliselt, põhjustades kontrolli kaotuse tööriista üle.
 - Ärge kasutage kahjustunud ega nõuetele vastavaid lõiketera seibe ega polti. Optimaalse töövoime ja -ohutuse tagamiseks on lõiketera seibid ja polt spetsiaalselt välja töötatud teie saele.

Tagasilöögi põhjused ja sellega seotud hoiatused

- tagasilöökk on äkiline reaktsioon kinni kiilunud, kinni pigistatud või orientatsiooni kaotanud saeterale, mis põhjustab tööriista üleskerkimist ja väljumist töödeldavast detailist operaatori poole;

- kui lõiketera on sisselõikes tihedalt kinni pigistatud või kinni kiilunud, siis lõiketera seiskub ja mootori reaktsiooni tõttu juhitakse seade kiiresti tagasi operaatori poole;
 - kui lõiketera on sisselõikes väänandunud või orientatsiooni kaotanud, võivad lõiketera tagumise serva hambad kaevuda puidu pealispinda ning põhjustada lõiketera ülespoole tõusmise sisselõikest ja pörkamise tagasi operaatori poole.
- Tagasilöökk on sae väärkasutuse ja/või ebaõigete tööoperatsioonide või -tingimuste tulemus, mida on võimalik vältida, kui järgitakse alljärgnevat asjakohaseid ettevaatusabinõusid.

- Hoidke saest mõlema käega kindlalt kinni ja seadke käsivarred asendisse, et vastu panna tagasilöögi jõududele. Olge üksikõik kummal pool lõiketera, kuid mitte otse selle taga.** Tagasilöökk võib põhjustada tööriista järsu tahapoole liikumise, kuid asjakohaseid ettevaatusabinõusid järgides saab operaator tagasilöögi jõudusid kontrolli all hoida.
- Kui lõiketera kiilub kinni või katkestab mingil põhjusel lõikamise, vabastage päästik ja hoidke tööriista liikumatult materjalis, kuni tera on täielikult seiskunud. Ärge kunagi püüdke saagi eemaldada töödeldavast detailist ega tõmmake saagi tahapoole, kui lõiketera liigub või esineb tagasilöögihoht.** Tehke kindlaks lõiketera kinnikiilumise põhjus ja kõrvaldage see.
- Sae taaskäivitamisel töödeldavas detailis tsentreerige saetera sisselõikes nii, et saehambad ei löikuks materjalisse.** Kui saetera on materjali sisse surutud, võib see sae taaskäivitamisel kerkida või töödeldavast detailist tagasilöögi anda.
- Lõiketera kinnikiilumise ja tagasilöögiriski minimeerimiseks toestage suured paneelid.** Suured paneelid kalduvad omaenese raskuse all painduma. Toed tuleb paigutada paneeli mõlema küljele alla lõikekoha ja paneeliserva lähedale.

► Joon.2

► Joon.3

- Ärge kasutage nürisid ega vigastatud lõiketerasid. Teritamata või väärtalt paigaldatud lõiketerade kasutamise tulemuseks on kitsas sisselõige, mis põhjustab liigset hõõrdumist, lõiketera kinnikiilumist ja tagasilööki.
 - Lõiketera sügavuse ja faasi reguleerimise lukustushoovad peavad olema enne lõikamist pinguldatud ja kindlalt kinnitatud.** Kui lõiketera seadistus lõikamise ajal nihkub, võib see põhjustada kinnikiilumise ja tagasilöögi.
 - Olge eriti ettevaatlik, kui teostate lõikeid olemasolevatesse seintesse või muudes varjatud piirkondades.** Väljaulatuv lõiketera võib löikuda objektidesse, mis võivad põhjustada tagasilöögi.
 - Hoidke ALATI tööriista kindlalt kahe käega.** Ärge pange oma kätt, jalga ega mingit muud kehaosa KUNAGI tööriistaaluse alla ega sae taha, eriti ristlõigete tegemise ajal. Kui tekib tagasilöökk, võib saag hõlpsasti hüpata tahapoole üle teie kae ja põhjustada tõsise kehavigastuse.
- Joon.4
- Ärge kunagi kasutage sae suhtes jõudu. Lükake saagi ettepoole sellise kiirusega, et tera lõikab kiirust vähendamata. Jõu kasutamine võib põhjustada lõigete ebatasasuse, täpsuse kaotuse ja võimaliku tagasilöögi.

Piirde funktsioon

1. Enne igakordset kasutamist kontrollige alumise piirde õiget sulgemist. Ärge käivitage saagi, mille alumine piire ei liigu vabalt ja ei sulgu kohe. Ärge kunagi kinnitage alumist piiret klambriga ega siduge seda avatud asendisse. Kui saag on juhuslikult maha kukkunud, võib alumine piire olla paindunud. Tõstke alumist piiret väljatõmmatava käepideme abil ja veenduge, et see liiguks vabalt ega puudutaks lõiketera ning muid osi lõikamise kõigi nurkade ja sügavuste korral.
2. Kontrollige, kas alumise piirde vedru on töökorras. Kui piire ja vedru ei tööta korrektselt, tuleb neid enne tööriista kasutamist hooldada. Alumine piire võib töötada aeglaselt kahjustunud osade, kummisette või lõikamisjäädike kogunemise tõttu.
3. Alumise piirde võib käsitsi tagasi tõmmata ainult teatud lõikamiste puhul, nagu „sukelduslõikamised“ ja „kombineeritud lõikamised“. Tõstke alumist piiret väljatõmmatava käepideme abil ja niipea kui lõiketera siseneb materjali, tuleb alumine piire vabastada. Igasuguse muu saagimise puhul peab alumine juhik automaatselt töötama.
4. Enne sae asetamist pingile või põrandale jälgige alati, et alumine piire kataks lõiketera. Kaitsmata, vabalt liikuv tera võib põhjustada sae tahapoole liikumise ja lõikamise ükskõik millesse oma liikumisteel. Olge teadlik ajast, mis kulub lõiketera seiskumiseks pärast tööriista väljalülitamist.
5. Alumise piirde kontrollimiseks avage alumine piire käega, seejärel vabastage see ja jälgige piirde sulgemist. Kontrollige ka seda, et väljatõmmatav käepide ei puudutaks tööriista korpusi. Lõiketera katmata jätmine on VÄGA OHTLIK ning võib põhjustada tõsiseid kehavigastusi.

Lisaohutusnõuded

1. Olge eriti ettevaatlik märja puidu, survetõotlemise läbinud saematerjali või oksakohtadega puidu lõikamisel. Tagage tööriista sujuv liikumine lõiketera kiirust vähendamata, et vältida lõiketera tippude ülekuumenemist.
 2. Ärge püüdke eemaldada lõigatavat materjali lõiketera liikumise ajal. Enne lõigatavat materjalist kinni haaramist oodake, kuni lõiketera seiskub. Terad liiguvad peale sae väljalülitamist vabakäiguga edasi.
 3. Vältige naeltesse sisselõikamist. Enne lõikamist kontrollige saematerjali ja eemaldage sellest kõik naelad.
 4. Asetage saekorpuvase laiem osa töödeldava detaili selle poole peale, mis on kindlalt toetatud, mitte sinna, mis pärast lõikamist küljest ära kukub. Kui töödeldav detail on lühike või väike, tuleb see pitskruvidega kinnitada. **ÄRGE PÜÜDKE HOIDA LÜHIKESI TÜKKE KÄEGA!**
- Joon.5
5. Enne tööriista maha asetamist pärast lõikamise lõpetamist veenduge, et piire oleks suletud ja lõiketera täielikult seiskunud.
 6. Ärge kunagi püüdke saagida rakises tagurpidi asendis hoitava ketassaaga. See on väga ohtlik ja võib põhjustada tõsiseid õnnetusi.

► Joon.6

7. Mõned materjalid võivad sisaldada mürgiseid aineid. Võtke meetmed tolmua sissehingamise ja nahaga kokkupuute vältimiseks. Järgige materjali tarnija ohutusteavet.
8. Ärge püüdke lõiketerasid seisata neid külgsuunas surudes.
9. Ärge kasutage abrasiivkettaid.
10. Kasutage saeterade puhul ainult sellist läbimõõtu, mis on märgitud tööriista või määratud kindlaks kasutusjuhendis. Vale suurusega lõiketera kasutamine võib negatiivselt mõjutada lõiketera nõuetekohast kaitsset või kaitsespiride funktsioneerimist, mille tagajärjeks võib olla raske kehavigastus.
11. Hoidke lõiketera terava ja puhtana. Kõvastunud kumm ja puuvaik lõiketeradel aeglustab sae tööd ning suurendab tagasilöögi tekkimise võimalust. Hoidke lõiketera puhtana, eemaldage see esmalt tööriista küljest, seejärel puhastage seda kummi- ja puuvaigu eemaldusvahendi, kuuma vee või petrooleumiga. Ärge kunagi kasutage bensini.
12. Tööriista kasutamisel kandke tolumaski ja kuulmiskaitsevahendeid.
13. Kasutage alati lõigatava materjali lõikamiseks ettenähtud saetera.
14. Kasutage ainult selliseid saeteri, millele märgitud kiirus on võrdne tööriistale märgitud kiirusega või sellest suurem.
15. (Ainult Euroopa riikide puhul)
Kasutage alati standardile EN847-1 vastavat saetera.
16. Asetage tööriist ja tarvikud lamedale ning stabiilsele pinnale. Muidu võivad tööriist või tarvikud maha kukkuda ja kehavigastusi tekitada.

HOIDKE JUHEND ALLES.

⚠ HOIATUS: ÄRGE UNUSTAGE järgida toote ohutusnõudeid mugavuse või toote (korduskasutamise saavutatud) hea tundmise tõttu. **VALE KASUTUS** või kasutusjuhendi ohutuseeskirjade eiramine võib põhjustada tervisekahjustusi.

Akukassetiga seotud olulised ohutusjuhised

1. Enne akukasseti kasutamist lugege (1) akulaadid, (2) akul ja (3) seadmel olevad juhtnõuad ja hoiatused läbi.
2. Ärge võtke akukasseti lahti ega muutke seda. See võib põhjustada tulekahju, liigset kuumust või plahvatuse.
3. Kui tööaeg järsult lüheneb, siis lõpetage kohe kasutamine. Edasise kasutamise tulemuseks võib olla ülekuumenemisoht, võimalikud põletused või isegi plahvatus.
4. Kui elektrolüüt satub silma, siis loputage silma puhta veega ja pöörduge koheselt arsti poole. Selline õnnetus võib põhjustada pimedaksjäämist.
5. Ärge tekitage akukassetis lühist:
 - (1) Ärge puutuge klemme elektrijuhtidega.
 - (2) Ärge hoidke akukasseti tööriistakassis koos metallsemetega, nagu naelad, mündid jne.
 - (3) Ärge tehke akukasseti märjaks ega jätke seda vihma kätte.

Aku lüühis võib põhjustada tugevat elektrivoolu, ülekuumenemist, põletusi ning ka seadet tõsiselt kahjustada.

6. Ärge hoidke ega kasutage tööriista ja akukassetti kohtades, kus temperatuur võib tõusta üle 50 °C (122 °F).
7. Ärge põletage akukassetti isegi siis, kui see on saanud tõsiselt vigastada või on täiesti kulu- nud. Akukassett võib tules plahvatada.
8. Ärge naelutage, löögake, muljuge, visake akukassetti ega laske sel kukkuda, samuti ärge lööge selle pihta kõva esemega. Selline tegevus võib põhjustada tulekahju, liigset kuumust või plahvatuse.
9. Ärge kasutage kahjustatud akut.
10. Sisalduvatele liitium-ioonakudele võivad kohalduda ohtlike kaupade õigusaktide nõuded.

Kaubanduslikul transportimisel, näiteks kolmanda poolte või transportiettevõtete poolt, tuleb järgida pakendil ja siltidel toodud erinõudeid. Transportimiseks ettevalmistamisel on vajalik pidada nõu ohtliku materjali eksperdiga. Samuti tuleb järgida võimalike riiklike regulatsioonide üksikasjalikumaid nõudeid.

Katke teibiga või varjake avatud kontaktid ja pakendage aku selliselt, et see ei saaks pakendis liikuda.

11. Kasutuskõlbmatuks muutunud akukassetti kõrvaldamiseks eemaldage see tööriistast ja viige selleks ette nähtud kohta. Järgige kasutuskõlbmatuks muutunud aku kõrvaldamisel kohalikke eeskirju.
12. Kasutage akusid ainult Makita heaks kiidetud toodetega. Akude paigaldamine selleks mitte ettenähtud toodetele võib põhjustada süttimist, ülemäärast kuumust, plahvatamist või elektrolüüdi lekkimist.
13. Kui tööriista ei kasutata pika ajaperioodi jooksul, tuleb aku tööriistast eemaldada.
14. Kasutamise ajal ja pärast kasutamist võib akukassett kuumeneda, mis võib põhjustada põletusi või madala temperatuuri põletusi. Olge kuumu akukassetti kandmisel ettevaatlik.
15. Ärge puudutage tööriista klemmi kohe pärast kasutamist, sest see võib olla kuum ja põhjustada põletusi.
16. Hoidke akukassetti klemmid, avad ja sooned tükikestest, tolmust ja mullast puhtad. Muidu võib tööriist või akukassett halvasti töötada või puruneda.
17. Kui tööriist ei kannata kasutamist kõrgepingeliinide lähedal, ärge kasutage akukassetti kõrgepingeliinide lähedal. Muidu võib tööriist või akukassett puruneda või sellel tõrge tekkida.
18. Hoidke akut lastele kättesaamatult.

HOIDKE JUHEND ALLES.

⚠ETTEVAATUST: Kasutage ainult Makita originaalakusid. Mitte Makita originaalakude või muudetud akude kasutamine võib põhjustada akude süttimise, kehavigastuse ja kahjustuse. Samuti muudab see kehtetuks Makita tööriista ja laadija Makita garantii.

Vihjeid aku maksimaalse kasutaja tagamise kohta

1. Laadige akukassetti enne selle täielikku tühjenemist. Kui märkate, et tööriist töötab väiksema võimsusega, peatage töö ja laadige akukassetti.
2. Ärge laadige täielikult laetud akukassetti. Ülelaadimine lühendab akude kasutusiga.
3. Laadige akukassetti toatemperatuuril 10 °C - 40 °C. Enne laadimist laske kuumenenud akukassetil maha jahtuda.
4. Kui te ei kasuta parajasti akukassetti, eemaldage see tööriistast või laadurist.
5. Kui te ei kasuta akukassetti kauem kui kuus kuud, laadige see.

FUNKSIONAALNE KIRJELDUS

⚠ETTEVAATUST: Kandke alati hoolt selle eest, et tööriist oleks enne reguleerimist ja kontrollimist välja lülitatud ja akukassett eemaldatud.

Akukassetti paigaldamine või eemaldamine

⚠ETTEVAATUST: Lülitage tööriist alati enne akukassetti paigaldamist või eemaldamist välja.

⚠ETTEVAATUST: Akukassetti paigaldamisel või eemaldamisel tuleb tööriista ja akukassetti kindlalt paigal hoida. Kui tööriista ja akukassetti ei hoita kindlalt paigal, võivad need käest libiseda ning kahjustada tööriista ja akukassetti või põhjustada kehavigastusi.

⚠ETTEVAATUST: Ärge kasutage ketassaega akuadapterit. Akuadapteri juhe võib tööd takistada ja põhjustada kehavigastusi.

► **Joon.7:** 1. Punane näidik 2. Nupp 3. Akukassett

Akukassetti eemaldamiseks libistage see tööriista küljest lahti, vajutades kassetti esiküljel paiknevat nuppu alla.

Akukassetti paigaldamiseks joondage akukassetti keel korpuse soonega ja libistage kassetti oma kohale. Paigaldage akuadapter alati nii kaugele, et see lukustusklõpsatusega oma kohale. Kui näete nupu ülaosas punast osa, pole kassett täielikult lukustunud.

⚠ETTEVAATUST: Paigaldage akukassett alati täies ulatuses nii, et punast osa ei jääks näha. Muidu võib adapter juhuslikult tööriistast välja kukkuda ning põhjustada teile või läheduses viibivatele isikutele vigastusi.

⚠ETTEVAATUST: Ärge rakendage akukassetti paigaldamisel jõudu. Kui kassett ei lähe kergesti sisse, pole see õigesti paigaldatud.

Tööriista/aku kaitsesüsteem

Tööriist on varustatud tööriista või aku kaitsesüsteemiga. Süsteem lülitab mootori automaatselt välja, et pikendada tööriista ja aku tööiga. Tööriist seiskub käitamise ajal automaatselt, kui tööriista või aku kohta kehtib üks järgmistest tingimustest. Teatud tingimustes hakkavad indikaatorid põlema.

Ülekoormuskaitse

Kui tööriist/aku hakkab kasutamise käigus tarbima ebaharilikult palju voolu, seiskub tööriist automaatselt. Sel juhul lülitage tööriist välja ja lõpetage tööriista ülekoormuse põhjustanud töö. Pärast seda käivitage tööriist uuesti.

Ülekuumenemiskaitse

Tööriista/aku ülekuumenemisel seiskub tööriist automaatselt. Sel juhul laske tööriistal enne uuesti sisselülitamist maha jahtuda.











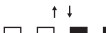
Ülelaadimiskaitse

Kui aku laetuse tase on madal, siis seiskub tööriist automaatselt. Kui seade ei hakka tööle ka lülite kasutamisel, eemaldage tööriistast akud ja laadige neid.

Aku jääkmahutavuse näit

Akukasseti järelejäänud mahutavuse kontrollimiseks vajutage kontrollimise nuppu. Märgulambid süttivad mõneks sekundiks.

► **Joon.8:** 1. Märgulambid 2. Kontrollimise nupp

Märgulambid			Jääkmahutavus
 Põleb	 Ei põle	 Vilgub	
			75 - 100%
			50 - 75%
			25 - 50%
			0 - 25%
			Laadige akut.
	 ↑ ↓ 		Akul võib olla tõrge.

MÄRKUS: Näidatud mahutavus võib veidi erineda tegelikust mahutavusest olenevalt kasutustingimustest ja ümbritseva keskkonna temperatuurist.

MÄRKUS: Esimene (taga vasakul asuv) märgutuli vilgub, kui akukaitsesüsteem töötab.

Automaatselt kiiruse muutmise funktsioon

Tööriistal on „suure kiiruse režiim” ja „suure pöördemomendi režiim”.

Tööriist muudab olenevalt töökoormusest töörežiimi automaatselt. Kui töökoormus on väike, töötab tööriist kiiremini lõikamiseks „suure kiiruse režiimis”. Kui töökoormus on suur, töötab tööriist suurema võimsusega lõikamiseks „suure pöördemomendi režiimis”.

Lõikesügavuse reguleerimine

⚠ETTEVAATUST: Pärast lõikesügavuse reguleerimist pingutage hoob alati korralikult.

Lõdvendage sügavusjuhikule olevat hooba ning nihutage alust üles või alla. Soovitud lõikesügavuse juures kinnitage alus, pingutades hooba.

Puhtamate ja ohutumate lõigete tegemiseks seadke lõikesügavus selliselt, et töödeldavast detailist allapoole ei ulatuks rohkem kui üks terahammus. Õige lõikesügavuse kasutamine aitab vähendada kehavigastusi põhjustada võivate ohtlike TAGASILÕÖKIDE võimalust.

► **Joon.9:** 1. Hoob

Kaldlõikamine

⚠ETTEVAATUST: Pärast kaldenurga reguleerimist pingutage hoob alati korralikult kinni.

Lõdvendage hooba ja seadke kallutamise paika soovitud kaldenurk, seejärel kinnitage korralikult hoob.

► **Joon.10:** 1. Hoob

Positiivne sulgur

Positiivne sulgur on kasulik vajaliku nurga kiiresti seadistamiseks. Pöörake positiivset sulgurit nii, et sellel olev nool osutaks soovitud kaldenurgale (umbes 22,5°/45°/53°). Lõdvendage hooba ja kallutage seejärel tööriista alust, kuni see peatub. Tööriista aluse peatumiskoht on nurk, mille seadistate positiivse sulguriga. Kinnitage hoob, kui tööriista alus on selles asendis.

► **Joon.11:** 1. Positiivne sulgur

Sihtimine

Sirgete lõigete puhul joondage 0° positsioon aluse ees oma lõikejoonega. 45° kaldlõigete tegemiseks seadke sellega kohakuti 45° positsioon.

► **Joon.12:** 1. Lõikejoon (0° positsioon) 2. Lõikejoon (45° positsioon)

Lüliti funktsioneerimine

⚠️HOIATUS: Kontrollige alati enne akukasseti tööriista külge paigaldamist, kas lüliti päästik funktsioneerib nõuetekohaselt ja liigub lahtilaskmisel tagasi väljalülitatud asendisse.

⚠️HOIATUS: Lahtilukustusnupu fikseerimine kleeplindri vms-ga on KEELATUD. Inaktiveeritud lahtilukustusnupuga lüliti võib põhjustada masina soovimatu sisselülitumise, millega kaasnevad tõsised vigastused.

⚠️HOIATUS: ÄRGE kasutage KUNAGI masinat, kui see käivitus ka siis, kui lahtilukustusnupu vajutamata vajutate lihtsalt lüliti päästikut.

Remonti vajav lüliti võib põhjustada masina soovimatu sisselülitumise, millega kaasnevad tõsised vigastused. ENNE edasist kasutamist viige masin parandamiseks Makita teeninduskeskusesse.

⚠️ETTEVAATUST: Tööriist pidurdab ketassaetera pöörelemist kohe, kui olete lüliti päästiku lahti lasknud. Hoidke lüliti päästiku vabastamisel kindlalt tööriistast kinni, et pidurdamisele reageerida. Äkilise pidurdamise mõjul võib tööriist kukkuda ja põhjustada kehavigastuse.

Et vältida lüliti päästiku juhuslikku vajutamist, on tööriistal lahtilukustusnupp. Tööriista käivitamiseks vajutage lahtilukustusnupp alla ja tõmmake lüliti päästikut. Vabastage lüliti päästik tööriista seiskamiseks.

► **Joon.13:** 1. Lüliti päästik 2. Lukust avamise nupp

TÄHELEPANU: Ärge tõmmake lüliti päästikut tugevasti ilma lahtilukustusnupu vajutamata. See võib põhjustada lüliti purunemise.

Elektriline pidur

Tööriist on varustatud elektrilise terapiduriga. Kui tööriist ei peata pidevalt pärast lüliti hoova vabastamist ketassaetera kiiresti, viige see hoolduseks Makita teeninduskeskusesse.

⚠️ETTEVAATUST: Terapidurdussüsteem ei asenda terapiiret. ÄRGE KUNAGI KASUTAGE TÖÖRIISTA ILMA TOIMIVA TERAPIIRDETA. SEE VÕIB LÕPPEDA RASKETE KEHAVIGASTUSTEGA.

Elektrooniline funktsioon

Elektroonilise funktsiooniga varustatud tööriistu on tänu järgmistele omadustele lihtne kasutada.

Sujuvkäivituse funktsioon

Sujuvkäivituse tagab summutatud algtouge.

KOKKUPANEK

⚠️ETTEVAATUST: Kandke alati hoolt selle eest, et tööriist oleks enne igasuguseid hooldustöid välja lülitatud ja akukassett eemaldatud.

Nihke mutrivõtme hoiolepanek

Kui nihke mutrivõtit ei kasutata, pange see kaotamise vältimiseks joonisel näidatud viisil hoiole.

► **Joon.14:** 1. Nihke mutrivõti

Ketassaetera eemaldamine või paigaldamine

⚠️ETTEVAATUST: Ketassaetera peab olema paigaldatud sellisel, et hambad on suunatud tööriista esiosas üles.

⚠️ETTEVAATUST: Kasutage ketassaetera paigaldamiseks ja eemaldamiseks ainult Makita nihke mutrivõtit.

Ketassaetera eemaldamiseks vajutage völliukku lõpuni alla, et ketassaetera ei saaks pöörelda, ja keerake kuuskantpolt nihke mutrivõtmelega lahti. Seejärel eemaldage kuuskantpolt, välisäärik, ketassaetera ja rõngas (riigile omane).

► **Joon.15:** 1. Völliukku 2. Nihke mutrivõti 3. Lõdvendamine 4. Pingutamine

Rõngata tööriist

► **Joon.16:** 1. Kuuskantpolt 2. Välisäärik 3. Ketassaetera 4. Ketassaeteral asuv nool 5. Siseäärik 6. Tööriistal asuv nool

Rõngaga tööriist

► **Joon.17:** 1. Kuuskantpolt 2. Välisäärik 3. Ketassaetera 4. Ketassaeteral asuv nool 5. Rõngas 6. Siseäärik 7. Tööriistal asuv nool

Ketassaetera paigaldamiseks järgige eemaldamise protseduuri vastupidises järjekorras. Joondage ketassaeteral olev nool tööriistal oleva noolega.

Tööriistale, mille siseäärik sobib muu kui 15,88 mm ava läbimõõduga saeteraga

Siseäärikul on ühel küljel kindla läbimõõduga eend ja teisel küljel teistsuguse läbimõõduga eend. Valige õige eendiga pool, mis sobib täpselt ketassaetera avasse. Paigaldage siseäärik paigaldusvõlliile nii, et siseääriku õige eendipoollega külg jääks väljapoole, ning paigaldage seejärel ketassaetera ja välisäärik.

► **Joon.18:** 1. Paigaldusvõli 2. Siseäärik 3. Ketassaetera 4. Välisäärik 5. Kuuskantpolt

⚠️HOIATUS: KEERAKE KUUSKANTPOLT KINDLASTI KORRALIKULT VASTUPÄEVA KINNI. Samas jälgige, et te polti liiga suure jõuga ei pingutaks. Kää libisemine kuuskantvõtmelt võib põhjustada vigastusi.

⚠️HOIATUS: Veenduge, et siseääriku eend „a”, mis asetseb suunaga väljapoole, sobiks täpselt saetera avasse „a”. Ketassaetera paigaldamine valele küljele võib põhjustada ohtlikku vibratsiooni.

Tööriista, mille siseäärrik sobib 15,88 mm ava läbimõõduga saeteraga (riigispetsiifiline)

Paigaldage siseäärrik paigaldusvõlliile, suunates taanduva osa väljapoole, ja asetage siis paika saetera (vajaduse korral kinnitatud rõngaga), välisäärrik ja kuuskantpolt.

Rõngata tööriist

- **Joon.19:** 1. Paigaldusvõll 2. Siseäärrik
3. Ketassaetera 4. Välisäärrik
5. Kuuskantpolt

Rõngaga tööriist

- **Joon.20:** 1. Paigaldusvõll 2. Siseäärrik
3. Ketassaetera 4. Välisäärrik
5. Kuuskantpolt 6. Rõngas

⚠ HOIATUS: KEERAKE KUUSKANTPOLT KINDLASTI KORRALIKULT VASTUPÄEVA KINNI. Samas jälgige, et te polti liiga suure jõuga ei pingutaks. Käe libisemine kuuskantvõtmelt võib põhjustada vigastusi.

⚠ HOIATUS: Kui ketassaetera spindlile kinnitamiseks on vaja rõngast, veenduge alati, et sise- ja välisäärriku vahele oleks paigaldatud kasutatava tera võlliavaga kokkusobiv rõngas. Vale võlliava rõnga kasutamine võib kaasa tuua ketassaetera vale paigalduse, mis põhjustab saetera lengerdamist ja tugevat vibratsiooni, mis võib omakorda põhjustada kontrolli kaotust tööriista üle ja raskeid kehavigastusi.

Terakaitse puhastamine

Ketassaetera vahetamisel puhastage kindlasti ka ülemine ja alumine löiketera kaitsepiire neile kogunenud saepurust, nagu on kirjeldatud peatükis „Hooldus“. See ei tähenda, et võiks loobuda alumise kaitsepiirde töökorras oleku kontrollimisest enne iga kasutuskorda.

Tolmuimeja ühendamine

Valikuline tarvik

MÄRKUS: Selleks et kummist kork kaotsi ei läheks, hoidke seda tööriista esiosal.

MÄRKUS: Kui te tolmuimejat ei kasuta, kinnitage kummist kork tolmuotsakule.

Eemaldage tolmuotsikult kummist kork ja ühendage tolmuimeja voolik.

- **Joon.21:** 1. Kummist kork

Kui soovite puhtamalt lõigata, ühendage tööriista külge Makita tolmuimeja. Ühendage tolmuimeja voolik tolmuotsakuga, kasutades esimansette 24.

- **Joon.22:** 1. Tolmuimeja voolik 2. Esimansetid 24
3. Tolmuotsak 4. Kummist kork

TÖÖRIISTA KASUTAMINE

See tööriist on mõeldud ainult puidust toodete saagimiseks.

Lõikamiseks kasutatavate õigete saeketaste leidmiseks vaadake meie veebilehte või pöörduge kohaliku Makita edasimüüja poole.

Terakaitse funktsiooni kontrollimine

Seadke kaldenurgaks 0° ning seejärel tõmmake alumine piire käsitsi lõpuni ja vabastage see. Alumine piire töötab korralikult, kui:

- seda saab tõmmata üle aluse ilma takistuseta ning
- see läheb automaatselt algasendisse ja ühendub stopperiga.

- **Joon.23:** 1. Ülemine piire 2. Alumine piire 3. Alus
4. Stopper 5. Avage 6. Sulgege

Kui alumine piire ei tööta korralikult, kontrollige, ega ülemistesse ja alumistesse piiretesse pole kogunenud saepuru. Kui alumine piire ei tööta korralikult isegi pärast saepuru eemaldamist, laske tööriista hooldada Makita teeninduskeskuses.

⚠ ETTEVAATUST: Lõikamise ajal kandke tolmu maski.

⚠ ETTEVAATUST: Liigutage tööriista kindlasti ettevaatlikult sirgjooneliselt ettepoole. Tööriistale surve avaldamisel või selle väänamisel kuumenenud mootor üle ja tekib ohtlik tagasilöökk, mis võib põhjustada tõsiseid vigastusi.

MÄRKUS: Kui akukasseti temperatuur on madal, ei pruugi tööriist töötada täisvõimsusel. Sellisel juhul kasutage tööriista mõnda aega näiteks kergemal režiimil lõikamiseks, kuni akukassett soojeneb toatemperatuurini. Pärast seda saab tööriist töötada täisvõimsusel.

► Joon.24

Hoidke tööriistast kindlalt kinni. Sael on nii eesmine kui ka tagumine käepide. Kasutage mõlemat, et tööriista parimal moel hoida. Kui hoiate saagi mõlema käega, ei saa ketassaetera neisse lõigata. Asetage saeraam töödeldavale esemele nii, et ketassaetera seda ei puudutaks. Siis lülitage saag sisse ja oodake, kuni ketassaetera saavutab täiskiiruse. Nüüd lihtsalt lükake saagi sujuvalt ettepoole üle töödeldava eseme pinna, hoides tööriista vastu eseme pinda. Puhastõigete saamiseks hoidke saejoont sirgena ja töökiirust ühtlasena. Kui lõige ei järgi planeeritud lõikejoont täpselt, ärge proovige seda pöörata ja ärge suruge tööriista lõikejoonele tagasi. Kui te nii teete, võib ketassaetera kinni kiiluda ja tekitada ohtlikku tagasilööki ning tõsiseid kehavigastusi. Vabastage lüliti ja oodake, kuni ketassaetera seisma jääb, ning siis eemaldage saag. Reastage tööriist uuele lõikejoonele ja hakake uuesti lõikama. Püüdke vältida asetust, mis jätab operaatori saest paiskuvate laastude ja saepuru eest kaitsetuks. Kasutage silmakaitset, et vigastusi vältida.

Konks

▲ETTEVAATUST: Eemaldage alati aku, kui tööriista konksuga üles riputate.

▲ETTEVAATUST: Ärge riputage tööriista kunagi kõrgele ega asetage pindadele, kus see võib kaotada tasakaalu ja kukkuda. Muidu võib seade maha kukkuda ja põhjustada vigastusi.

▲ETTEVAATUST: Ärge tõmmake konksul rippuvat tööriista allapoole.

▲ETTEVAATUST: Kasutage riputus-/kinnitussosi ainult ettenähtud otstarbel. Muul otstarbel kasutamine võib põhjustada õnnetuse või kehavigastusi.

Konksu abil saate mugavalt tööriista ajutiselt üles riputada. Konksu kasutamiseks tõstke see lihtsalt üles, kuni see klõpsatab avatud asendisse. Kui konks pole kasutusel, lükake see alati alla, et see klõpsataks kinnisesse asendisse.

► **Joon.25:** 1. Konks 2. Avatud asend 3. Suletud asend

► **Joon.26**

Piire (juhtjoonlaud)

Valikuline tarvik

Käepärane piire võimaldab teha eriti täpseid ja sirgeid lõikeid. Libistage lihtsalt piire tihedalt vastu töödeldava detaili külge üles ja kinnitage see aluse esiosas oleva kruviga kohale. Samuti võimaldab see ühesuguse laiusga korduslõigete tegemist.

► **Joon.27:** 1. Piire (juhtjoonlaud) 2. Kinnituskruvi

Kinnitusrihm (kinnitusosaga)

▲Spetsiaalsed ohutusjuhised kõrguses kasutamiseks

Lugege kõik ohutushoiatused ja juhtnõupid läbi. Hoiatuste ja juhtnõu eiramine võib lõppeda tõsise kehavigastusega.

1. Kõrgustes töötamise ajal hoidke tööriista kinnitusrihma abil kinni. Kinnitusrihma max pikkus 2 m (6,5 jalga). Kinnitusrihma (kinnitusosaga) maksimaalne lubatud kukkumiskõrgus ei tohi ületada 2 m (6,5 jalga).
2. Kasutage ainult tööriista tüüpi jaoks sobivat kinnitusrihma, mis on mõeldud vähemalt 7,0 kg (15,4 naela) jaoks.
3. Ärge kinnitage tööriista kinnitusrihma oma keha ega liikuvate osade külge. Kinnitage tööriista kinnitusrihm jäiga konstruktsiooni külge, mis suudab vastu pidada kukkuvat tööriista jõududele.
4. Enne kasutamist veenduge, et kinnitusrihm oleks mõlemast otsast kindlalt kinnitatud.
5. Enne iga kasutamist kontrollige tööriista ja kinnitusrihma, et poleks kahjustusi ja kõik toimiks nõuetekohaselt (sh riie ja õmblused). Ärge kasutage, kui need on kahjustatud või ei tööta korralikult.

6. Ärge siduge kinnitusrihma ümber teravate või töötlemata servadega esemete ega laske neil kokku puutuda.
7. Kinnitage kinnitusrihma teine ots väljaspool tööpiirkonda nii, et kukkuv tööriis jääks rihma külge rippuma.
8. Kinnitage kinnitusrihm nii, et kukkuv tööriist liiguks kasutajast eemale. Mahakukkunud tööriistad jäävad kinnitusrihma külge õõtsuma ja see võib põhjustada vigastusi või tasakaalu kadu.
9. Ärge kasutage liikuvate osade ega töötavate masinate lähedal. Muidu võib tekkida kokkupõrke- või takerdumisoht.
10. Ärge hoidke tööriista kandes kinni lisaseadistest ega kinnitusrihmast.
11. Kandke tööriista oma käte vahel ainult siis, kui olete korralikult tasakaalustatud.
12. Ärge ühendage tööriista kinnitusrihmaga viisil, kus kaitsepiirid, lülitid või lukustusseadmed ei saa korralikult toimida.
13. Vältige kinnitusrihma sisse takerdumist.
14. Hoidke kinnitusrihm tööriista lõikepiirkonnast eemal.
15. Kasutage mitmetoimelisi ja lukustatavaid karabiine. Ärge kasutage ühetoimelisi vabakäiguga karabiine.
16. Kui tööriist kukub maha, tuleb see märgistada ja kasutusest kõrvaldama ning seda peaks laskma kontrollida kas Makita tehases või volitatud hoolduskeskuses.

► **Joon.28:** 1. Kinnitusrihma ava (kinnitusosaga)

HOOLDUS

▲ETTEVAATUST: Enne kontrolli- või hooldustoimingute tegemist kandke alati hoolt selle eest, et tööriist oleks välja lülitatud ja akukassett korpuse küljest eemaldatud.

▲ETTEVAATUST: Puhastage ülemisi ja alumisi kaitsepiirdeid neile kogunenud saepurust, mis võib takistada alumise kaitsesüsteemi toimimist. Määratud kaitsesüsteem võib piirata nõuetekohast talitlust, mille tagajärjeks võib olla tõsine kehavigastus. Kõige tõhusam on kasutada puhastamiseks suruõhku. Tolmu väljapuhumisel kaitsepiiretest kasutage kindlasti nõuetekohaseid silmade ja hingamisteede kaitsevahendeid.

▲ETTEVAATUST: Pärast iga kasutust pühkige maha tööriistale kogunenud saetolm. Peen saetolm võib siseneda tööriista ja põhjustada rikke või tulekahju.

TÄHELEPANU: Ärge kunagi kasutage bensiini, vedeldit, alkoholi ega midagi muud sarnast. Selle tulemuseks võib olla luitumine, deformatsioon või pragunemine.

Toote OHUTUSE ja TÕÕKINDLUSE tagamiseks tuleb vajalikud remonttööd ning muud hooldus- ja reguleerimistööd lasta teha Makita volitatud teeninduskeskustes või tehase teeninduskeskustes. Alati tuleb kasutada Makita varuosi.

0°-lõike täpsuse reguleerimine

See on tehases reguleeritud. Kui see on vale, saate seda reguleerida järgneva protseduuri eeskujul.

1. Lõdvendage pisut kaldserva skaalaplaadil olevat hooba.
2. Seadke kolmnurkjoonlauda või nurgikut kasutades ja reguleerimiskruvi keerates alus tera suhtes risti.
► **Joon.29:** 1. Kolmnurkjoonlaud 2. Reguleerikruvi
3. Pingutage hooba ja tehke vertikaalsuse kontrollimiseks proovilõige.

VALIKULISED TARVIKUD

⚠ETTEVAATUST: Neid tarvikuid ja lisaseadiseid on soovitatav kasutada koos Makita tööriistaga, mille kasutamist selles kasutusjuhendis kirjeldatakse. Muude tarvikute ja lisaseadiste kasutamisega kaasneb vigastada saamise oht. Kasutage tarvikuid ja lisaseadiseid ainult otstarbekohaselt.

Saate vajaduse korral kohalikust Makita teeninduskeskusest lisateavet nende tarvikute kohta.

- Ketassaetera
- Nihke mutrivõti
- Piire (juhtjoonlaud)
- Esimansetid 24
- Makita algupärane aku ja laadija

MÄRKUS: Mõned nimekirjas loetletud tarvikud võivad kuuluda standardvarustusse ning need on lisatud tööriista pakendisse. Need võivad riigiti erineda.

ТЕХНИЧЕСКИЕ ХАРАКТЕРИСТИКИ

Модель:		RS001G
Диаметр диска		185 мм
Макс. глубина пропила	при 0°	65 мм
	угол скоса 45°	45 мм
	угол скоса 53°	38 мм
Число оборотов без нагрузки		6 400 мин ⁻¹
Общая длина		446 мм
Номинальное напряжение		36–40 В пост. тока макс.
Масса нетто		5,0–5,6 кг

- Благодаря нашей постоянно действующей программе исследований и разработок указанные здесь технические характеристики могут быть изменены без предварительного уведомления.
- Технические характеристики могут различаться в зависимости от страны.
- Масса может отличаться в зависимости от дополнительного оборудования. Обратите внимание, что блок аккумулятора также считается дополнительным оборудованием. В таблице представлены комбинации с наибольшим и наименьшим весом в соответствии с процедурой EPTA 01/2014.

Подходящий блок аккумулятора и зарядное устройство

Блок аккумулятора	BL4025 / BL4040* / BL4050F* *: рекомендуемый аккумулятор
Зарядное устройство	DC40RA / DC40RB / DC40RC

- В зависимости от региона проживания некоторые блоки аккумуляторов и зарядные устройства, перечисленные выше, могут быть недоступны.

⚠ОСТОРОЖНО: Используйте только перечисленные выше блоки аккумуляторов и зарядные устройства. Использование других блоков аккумуляторов и зарядных устройств может привести к травме и/или пожару.

Назначение

Данный инструмент предназначен для прямолинейного продольного и поперечного пиления, а также для пиления древесины под углом при наличии надежного контакта с распиливаемой деталью.

Шум

Типичный уровень взвешенного звукового давления (A), измеренный в соответствии с EN62841-2-5:
 Уровень звукового давления (L_{рА}): 92 дБ (A)
 Уровень звуковой мощности (L_{вА}): 103 дБ (A)
 Погрешность (K): 3 дБ (A)

ПРИМЕЧАНИЕ: Заявленное значение распространения шума измерено в соответствии со стандартной методикой испытаний и может быть использовано для сравнения инструментов.

ПРИМЕЧАНИЕ: Заявленное значение распространения шума можно также использовать для предварительных оценок воздействия.

⚠ОСТОРОЖНО: Используйте средства защиты слуха.

⚠ОСТОРОЖНО: Распространение шума во время фактического использования электроинструмента может отличаться от заявленного значения в зависимости от способа применения инструмента и в особенности от типа обрабатываемой детали.

⚠ОСТОРОЖНО: Обязательно определите меры безопасности для защиты оператора, основанные на оценке воздействия в реальных условиях использования (с учетом всех этапов рабочего цикла, таких как выключение инструмента, работа без нагрузки и включение).

Вибрация

Суммарное значение вибрации (сумма векторов по трем осям), определенное в соответствии с EN62841-2-5:

Рабочий режим: распиливание древесины
 Распространение вибрации (a_{h,w}): 2,5 м/с² или менее
 Погрешность (K): 1,5 м/с²

ПРИМЕЧАНИЕ: Заявленное общее значение распространения вибрации измерено в соответствии со стандартной методикой испытаний и может быть использовано для сравнения инструментов.

ПРИМЕЧАНИЕ: Заявленное общее значение распространения вибрации можно также использовать для предварительных оценок воздействия.

⚠ ОСТОРОЖНО: Распространение вибрации во время фактического использования электроинструмента может отличаться от заявленного значения в зависимости от способа применения инструмента и в особенности от типа обрабатываемой детали.

⚠ ОСТОРОЖНО: Обязательно определите меры безопасности для защиты оператора, основанные на оценке воздействия в реальных условиях использования (с учетом всех этапов рабочего цикла, таких как выключение инструмента, работа без нагрузки и включение).

Декларация о соответствии ЕС

Только для европейских стран

Декларация о соответствии ЕС включена в руководство по эксплуатации (Приложение А).

МЕРЫ БЕЗОПАСНОСТИ

Общие рекомендации по технике безопасности для электроинструментов

⚠ ОСТОРОЖНО: Ознакомьтесь со всеми предоставленными инструкциями по технике безопасности, указаниями, иллюстрациями и техническими характеристиками, прилагаемыми к данному электроинструменту. Несоблюдение каких-либо инструкций, указанных ниже, может привести к поражению электрическим током, пожару и/или серьезной травме.

Сохраните брошюру с инструкциями и рекомендациями для дальнейшего использования.

Термин "электроинструмент" в предупреждениях относится ко всему инструменту, работающему от сети (с проводом) или на аккумуляторах (без провода).

Правила техники безопасности при эксплуатации аккумуляторной циркулярной пилы

Процедуры резки

- 1. ⚠ ОПАСНО:** Держите руки на расстоянии от места распила и пилы. Держите вторую руку на дополнительной ручке или корпусе двигателя. Удержание инструмента обеими руками позволит избежать попадания рук диск пилы.

- 2. Не наклоняйтесь под обрабатываемую деталь.** Защитный кожух не защитит вас от диска под обрабатываемой деталью.
 - 3. Отрегулируйте глубину распила в соответствии с толщиной детали.** Под распиливаемой деталью должен быть виден почти весь зуб пилы.
 - 4. Запрещается держать деталь руками и ставить ее поперек ноги во время работы. Закрепите обрабатываемую деталь на устойчивом основании.** Важно обеспечить правильную фиксацию детали для снижения до минимума риска получения травм, заклинивания диска или потери контроля.
- Рис.1
- 5. Если при выполнении работ существует риск контакта режущего инструмента со скрытой электропроводкой, держите электроинструмент за специально предназначенные изолированные поверхности.** Контакт с проводом под напряжением приведет к тому, что металлические детали инструмента также будут под напряжением, что может стать причиной поражения оператора электрическим током.
 - 6. Обязательно пользуйтесь направляющей планкой или направляющей с прямым краем при продольной распиловке.** Это повышает точность распила и снижает риск изгиба диска.
 - 7. Обязательно используйте диски соответствующего размера и формы отверстий для оправки (ромбовидные или круглые).** Диски с несоответствующим креплением будут работать эксцентрически, что приведет к потере контроля над инструментом.
 - 8. Запрещается использовать поврежденные или несоответствующие пиле шайбы или болт крепления.** Шайбы и болт крепления диска были специально разработаны для данной пилы с целью обеспечения оптимальных эксплуатационных характеристик и безопасности работы.

Причины отдачи и соответствующие предупреждения

- отдача - это мгновенная реакция на защемление, застревание или нарушение соосности пильного диска, приводящая к неконтролируемому подъему пилы и ее движению из детали по направлению к оператору;
- если диск заземлен или жестко ограничивается пропилом снизу, он прекратит вращаться, и реакция двигателя приведет к тому, что инструмент начнет быстро двигаться в сторону оператора;
- если диск становится изогнутым или неправильно ориентированным в распиле, зубья на задней стороне диска могут цепляться за верхнюю поверхность распиливаемой древесины, что приведет к выскакиванию диска из пропила и его движению в сторону оператора.

Отдача - это результат неправильного использования пилы и/или неправильных процедур или условий эксплуатации. Ее можно избежать, соблюдая меры предосторожности, указанные ниже.

1. **Крепко держите пилу обеими руками и располагайте руки так, чтобы они могли справиться с отдачей.** Располагайтесь с боковой стороны циркулярной пилы, а не на одной линии с ней. Отдача может привести к отскакиванию дисковой пилы назад, однако силы отдачи могут контролироваться оператором при условии соблюдения соответствующих мер предосторожности.
 2. **При изгибании пилы или прекращении пиления по какой-либо причине отпустите триггерный переключатель и держите пилу без ее перемещения в детали до полной остановки вращения диска.** Не пытайтесь вытащить пилу из распиливаемой детали или потянуть пилу назад, когда пила продолжает вращаться. Это может привести к отдаче. Проверьте и выполните действия по устранению причины заклинивания диска.
 3. **При повторном включении пилы, когда она находится в детали, отцентрируйте пильный диск в пропиле так, чтобы зубья пилы не касались распиливаемой детали.** Если пильный диск изогнется, пила может приподняться или возникнет обратная отдача при повторном запуске пилы.
 4. **Поддерживайте большие панели для снижения риска заклинивания и отдачи диска.** Большие панели провисают под собственным весом. Опоры необходимо располагать под панелью с обеих сторон, около линии распила и около края панели.
- **Рис.2**
- **Рис.3**
5. **Не используйте тупые или поврежденные диски.** Незаточенные или неправильно установленные диски приведут к узкому распилу, что вызовет чрезмерное трение, заклинивание диска и отдачу.
 6. **Перед резкой необходимо крепко затянуть блокирующие рычаги глубины распила и регулировки скоса.** Если при резке регулировка диска нарушится, это может привести к заклиниванию диска и возникновению отдачи.
 7. **Будьте особенно осторожны при распиливании уже имеющихся стен или иных поверхностей, недоступных для осмотра.** Выступающий диск пилы может столкнуться с предметами, которые могут вызвать отдачу инструмента.
 8. **ВСЕГДА держите инструмент крепко обеими руками. НИКОГДА не помещайте свои руки, ноги или иные части тела под основание инструмента или позади пилы, особенно при выполнении поперечных распилов.** В случае отдачи пила может легко отскочить назад на вашу руку, что приведет к серьезной травме.
- **Рис.4**
9. **Никогда не прилагайте повышенных усилий к пиле.** Двигайте пилу вперед со скоростью, которая позволяет дисковой пиле пилить без снижения скорости. Приложение повышенных усилий к дисковой пиле может привести к неравномерному распилу, снижению точности и возможной отдаче.

Функционирование ограждения

1. **Перед каждым использованием убеждайтесь в том, что нижний защитный кожух надежно закрыт. Не эксплуатируйте пилу, если нижний защитный кожух не перемещается свободно и мгновенно не закрывается. Запрещается фиксировать нижний защитный кожух в открытом положении каким бы то ни было способом.** При случайном падении пилы кожух может погнуться. Поднимите нижний защитный кожух при помощи ручки подъема и убедитесь в его свободном перемещении и в том, что он не касается пилы или других деталей при любом угле и глубине распила.
2. **Проверьте работу пружины нижнего защитного кожуха.** Если щиток и пружина не работают надлежащим образом, их необходимо отремонтировать перед использованием пилы. Нижний защитный кожух может работать медленно из-за поврежденных деталей, отложения смол или скопления мусора.
3. **Нижний защитный кожух можно поднимать вручную только при специальных распилах, таких как "врезание" или "комплексная резка".** Поднимите нижний кожух, отодвинув рукоятку назад; как только диск войдет в материал, нижний защитный кожух обязательно нужно вернуть на место. При осуществлении любых других распилов нижний защитный кожух должен работать автоматически.
4. **Перед тем как положить пилу на верстак или на пол, обязательно убедитесь, что нижний защитный кожух закрывает режущий диск.** Незащищенный, вращающийся по инерции диск пилы может непреднамеренно двинуться назад, распиливая все, что попадет на пути. Помните о времени, необходимом для полной остановки пилы после отключения выключателя.
5. **Для проверки нижнего кожуха вручную откройте нижний защитный кожух, затем отпустите и убедитесь, что он закрылся.** Также убедитесь в том, что убирающаяся ручка не касается корпуса. Открытая пила ОЧЕНЬ ОПАСНА и может привести к серьезной травме.

Дополнительные предупреждения о безопасности

1. **Будьте особенно осторожны при распиливании сырой, прессованной или сучковатой древесины.** Сохраняйте постоянную подачу без снижения оборотов диска, чтобы избежать перегрева кромки диска.
2. **Не пытайтесь убирать отрезанные детали при вращении диска.** Перед удалением распиленных деталей дождитесь полной остановки пилы. После выключения диск будет вращаться еще некоторое время.
3. **Избегайте попадания режущего инструмента на гвозди.** Перед распиливанием осмотрите деталь и удалите из нее все гвозди.

4. Установивлайтите более широко часть основания пилы на ту часть обрабатываемой детали, которая имеет хорошую опору, а не на ту часть, которая упадет после отпиливания. Если распиливаемая деталь короткая или маленькая, ее необходимо закрепить. **НЕ ПЫТАЙТЕСЬ УДЕРЖИВАТЬ КОРОТКИЕ ДЕТАЛИ РУКОЙ!**

► Рис.5

5. Перед размещением пилы после завершения распила убедитесь, что нижний защитный кожух закрылся и пила полностью прекратила вращаться.

6. Никогда не пытайтесь осуществлять распиливание, закрепив циркулярную пилу в перевернутом виде. Это очень опасно и может привести к серьезным травмам.

► Рис.6

7. Некоторые материалы могут содержать токсичные химические вещества. Примите соответствующие меры предосторожности, чтобы избежать вдыхания или контакта с кожей таких веществ. Соблюдайте требования, указанные в паспорте безопасности материала.
8. Не пытайтесь остановить пилу путем бокового давления на пильный диск.
9. Не используйте абразивные круги.
10. Разрешается использовать только пильные диски с диаметром, соответствующим указанному на инструменте или в руководстве. Применение диска неверного размера может препятствовать надлежащей защите диска или мешать работе защитного кожуха, что, в свою очередь, может стать причиной серьезных травм.
11. Пилы должны быть острыми и чистыми. Смола и древесный пек, затвердевшие на пильных дисках, снижают производительность пилы и повышают потенциальный риск отдачи. Содержите пилу в чистоте. Для этого снимите ее с инструмента и очистите растворителем смолы и древесного пека, горячей водой или керосином. Запрещается использовать бензин.
12. При использовании инструмента надевайте пылезащитную маску и используйте средства защиты слуха.
13. Используйте пильные диски, соответствующие материалу заготовки.
14. Используйте только пильные диски, маркировка максимальной скорости которых равна или выше скорости, указанной на инструменте.
15. (Только для европейских стран) Используйте диски, соответствующие EN847-1.
16. Разместите инструмент и детали на ровной и устойчивой поверхности. В противном случае инструмент или детали могут упасть и стать причиной травмы.

СОХРАНИТЕ ДАННЫЕ ИНСТРУКЦИИ.

▲ ОСТОРОЖНО: НЕ ДОПУСКАЙТЕ, чтобы удобство или опыт эксплуатации данного устройства (полученный от многократного использования) доминировали над строгим соблюдением правил техники безопасности при обращении с этим устройством. **НЕПРАВИЛЬНОЕ ИСПОЛЬЗОВАНИЕ** инструмента или несоблюдение правил техники безопасности, указанных в данном руководстве, может привести к тяжелой травме.

Важные правила техники безопасности для работы с аккумуляторным блоком

1. Перед использованием аккумуляторного блока прочитайте все инструкции и предупреждающие надписи на (1) зарядном устройстве, (2) аккумуляторном блоке и (3) инструменте, работающем от аккумуляторного блока.
2. Не разбирайте блок аккумулятора и не меняйте его конструкцию. Это может привести к пожару, перегреву или взрыву.
3. Если время работы аккумуляторного блока значительно сократилось, немедленно прекратите работу. В противном случае, может возникнуть перегрев блока, что приведет к ожогам и даже к взрыву.
4. В случае попадания электролита в глаза промойте их обильным количеством чистой воды и немедленно обратитесь к врачу. Это может привести к потере зрения.
5. Не замыкайте контакты аккумуляторного блока между собой:
 - (1) Не прикасайтесь к контактам какими-либо токопроводящими предметами.
 - (2) Не храните аккумуляторный блок в контейнере вместе с другими металлическими предметами, такими как гвозди, монеты и т. п.
 - (3) Не допускайте попадания на аккумуляторный блок воды или дождя.Замыкание контактов аккумуляторного блока между собой может привести к возникновению большого тока, перегреву, возможному ожогу и даже поломке блока.
6. Не храните и не используйте инструмент и аккумуляторный блок в местах, где температура может достигать или превышать 50 °C (122 °F).
7. Не бросайте аккумуляторный блок в огонь, даже если он сильно поврежден или полностью вышел из строя. Аккумуляторный блок может взорваться под действием огня.
8. Запрещено вбивать гвозди в блок аккумулятора, резать, ломать, бросать его твердым предметом. Это может привести к пожару, перегреву или взрыву.
9. Не используйте поврежденный аккумуляторный блок.

10. Ходящие в комплект литий-ионные аккумуляторы должны эксплуатироваться в соответствии с требованиями законодательства об опасных товарах.

При коммерческой транспортировке, например, третьей стороной или экспедитором, необходимо нанести на упаковку специальные предупреждения и маркировку.

В процессе подготовки устройства к отправке обязательно проконсультируйтесь со специалистом по опасным материалам. Также соблюдайте местные требования и нормы. Они могут быть строже.

Закройте или закрепите разомкнутые контакты и упакуйте аккумулятор так, чтобы он не перемещался по упаковке.

11. Для утилизации блока аккумулятора извлеките его из инструмента и утилизируйте безопасным способом. Выполняйте требования местного законодательства по утилизации аккумуляторного блока.
12. Используйте аккумуляторы только с продукцией, указанной Makita. Установка аккумуляторов на продукцию, не соответствующую требованиям, может привести к пожару, перегреву, взрыву или утечке электролита.
13. Если инструментом не будут пользоваться в течение длительного периода времени, извлеките аккумулятор из инструмента.
14. Во время и после использования блок аккумулятора может нагреваться, что может стать причиной ожогов или низкотемпературных ожогов. Будьте осторожны при обращении с горячим блоком аккумулятора.
15. Не прикасайтесь к контактам инструмента сразу после использования, поскольку они могут быть достаточно горячими, чтобы вызвать ожоги.
16. Не допускайте, чтобы обломки, пыль или земля прилипали к контактам, отверстиям и пазам на блоке аккумулятора. Это может привести к снижению эксплуатационных параметров, поломке инструмента или блока аккумулятора.
17. Если инструмент не рассчитан на использование вблизи высоковольтных линий электропередач, не используйте блок аккумулятора вблизи высоковольтных линий электропередач. Это может привести к неисправности, поломке инструмента или блока аккумулятора.
18. Храните аккумулятор в недоступном для детей месте.

СОХРАНИТЕ ДАННЫЕ ИНСТРУКЦИИ.

ВНИМАНИЕ: Используйте только фирменные аккумуляторные батареи Makita.

Использование аккумуляторных батарей, не произведенных Makita, или батарей, которые были подвергнуты модификациям, может привести к взрыву аккумулятора, пожару, травмам и повреждению имущества. Это также автоматически аннулирует гарантию Makita на инструмент и зарядное устройство Makita.

Советы по обеспечению максимального срока службы аккумулятора

1. Заряжайте блок аккумуляторов перед его полной разрядкой. Обязательно прекратите работу с инструментом и зарядите блок аккумуляторов, если вы заметили снижение мощности инструмента.
2. Никогда не подзаряжайте полностью заряженный блок аккумуляторов. Перезарядка сокращает срок службы аккумулятора.
3. Заряжайте блок аккумуляторов при комнатной температуре в 10 - 40 °C (50 - 104 °F). Перед зарядкой горячего блока аккумуляторов дайте ему остыть.
4. Если блок аккумулятора не используется, извлеките его из инструмента или зарядного устройства.
5. Зарядите ионно-литиевый аккумуляторный блок, если вы не будете пользоваться инструментом длительное время (более шести месяцев).

ОПИСАНИЕ РАБОТЫ

ВНИМАНИЕ: Перед регулировкой или проверкой функций инструмента обязательно убедитесь, что он выключен и его аккумуляторный блок снят.

Установка или снятие блока аккумулятора

ВНИМАНИЕ: Обязательно выключайте инструмент перед установкой и извлечением аккумуляторного блока.

ВНИМАНИЕ: При установке и извлечении аккумуляторного блока крепко удерживайте инструмент и аккумуляторный блок. Если не соблюдать это требование, они могут выскользнуть из рук, что приведет к повреждению инструмента, аккумуляторного блока и травмированию оператора.

ВНИМАНИЕ: Не используйте для дисковой пилы переходник зарядного устройства. Кабель переходника зарядного устройства может помешать работе, что может повлечь за собой травму.

► Рис.7: 1. Красный индикатор 2. Кнопка 3. Блок аккумулятора

Для снятия аккумуляторного блока нажмите кнопку на лицевой стороне и извлеките блок.

Для установки блока аккумулятора совместите выступ блока аккумулятора с пазом в корпусе и задвиньте его на место. Установив блок до упора так, чтобы он зафиксировался на месте с небольшим щелчком. Если вы можете видеть красный индикатор на верхней части клавиши, блок аккумулятора не полностью зафиксирован на месте.

⚠ВНИМАНИЕ: Обязательно устанавливайте блок аккумулятора до конца, чтобы красный индикатор не был виден. В противном случае блок аккумулятора может выпасть из инструмента и нанести травму вам или другим людям.

⚠ВНИМАНИЕ: Не прилагайте чрезмерных усилий при установке аккумуляторного блока. Если блок не двигается свободно, значит он вставлен неправильно.

Система защиты инструмента/аккумулятора

На инструменте предусмотрена система защиты инструмента/аккумулятора. Она автоматически отключает питание двигателя для продления срока службы инструмента и аккумулятора. Инструмент автоматически остановится во время работы при возникновении указанных ниже ситуаций. В некоторых ситуациях загораются индикаторы.

Защита от перегрузки

Если при текущем режиме эксплуатации инструмента/аккумулятора возникает слишком большой ток, произойдет автоматический останов инструмента. В этом случае выключите инструмент и прекратите работу, из-за которой произошла перегрузка инструмента. Затем включите инструмент для перезапуска.

Защита от перегрева

При перегреве инструмента/аккумулятора инструмент останавливается автоматически. В таком случае дайте инструменту остыть перед повторным включением.

Защита от переразрядки

При истощении заряда аккумулятора инструмент автоматически останавливается. Если устройство не работает даже после нажатия переключателей, снимите аккумуляторы с инструмента и зарядите их.

Индикация оставшегося заряда аккумулятора

Нажмите кнопку проверки на аккумуляторном блоке для проверки заряда. Индикаторы загорятся на несколько секунд.

► **Рис.8:** 1. Индикаторы 2. Кнопка проверки

Индикаторы			Уровень заряда
Горит	Выкл.	Мигает	
■	□	◐	от 75 до 100%
■ ■ ■ ■	□		от 50 до 75%
■ ■	□ □		от 25 до 50%
■	□ □ □ □		от 0 до 25%
◐	□ □ □ □		Зарядите аккумуляторную батарею.

Индикаторы			Уровень заряда
Горит	Выкл.	Мигает	
■	□	◐	Возможно, аккумуляторная батарея неисправна.
■	□	◐	

ПРИМЕЧАНИЕ: В зависимости от условий эксплуатации и температуры окружающего воздуха индикация может незначительно отличаться от фактического значения.

ПРИМЕЧАНИЕ: Первая (дальняя левая) индикаторная лампа будет мигать во время работы защитной системы аккумулятора.

Функция автоматического изменения скорости

В данном инструменте предусмотрен "режим высокой скорости" и "режим высокого крутящего момента".

Инструмент автоматически меняет режим работы в зависимости от нагрузки. При малой рабочей нагрузке инструмент будет работать в высокоскоростном режиме для более быстрого резания. При высокой рабочей нагрузке инструмент будет работать в режиме высокого крутящего момента для более мощного резания.

Регулировка глубины пропила

⚠ВНИМАНИЕ: После регулировки глубины реза всегда крепко затягивайте рычаг.

Ослабьте рычаг на направляющей глубины и переместите основание вверх или вниз. Установив необходимую глубину реза, закрепите основание путем затяжки рычага.

Для чистого и безопасного распиливания установите глубину пропила так, чтобы под распиливаемой деталью дисковая пила выступала не более чем на один зуб. Установка надлежащей глубины пропила снижает вероятность опасной ОТДАЧИ, которая может причинить травму.

► **Рис.9:** 1. Рычаг

Резка под углом

⚠ВНИМАНИЕ: После установки угла резки надежно затягивайте рычаг.

Ослабьте рычаг и установите необходимый угол, для чего наклоните основание соответствующим образом, а затем надежно затяните рычаг.

► **Рис.10:** 1. Рычаг

Упор-ограничитель

Упор-ограничитель позволяет быстро задать необходимый угол. Поверните упор-ограничитель таким образом, чтобы стрелка на нем указывала на необходимый угол резки (около 22,5°/45°/53°). Ослабьте рычаг и наклоните основание инструмента до остановки. Положение, в котором остановится основание, и есть угол установки упора-ограничителя. Затяните рычаг, когда основание инструмента окажется в этом положении.

► **Рис.11:** 1. Упор-ограничитель

Наведение

Для прямого пропила совместите положение 0° лицевой стороны основания с вашей линией разреза. Для реза со скосом 45° совместите положение 45° с линией распиливания.

► **Рис.12:** 1. Линия разреза (положение 0°)
2. Линия разреза (положение 45°)

Действие выключателя

⚠ОСТОРОЖНО: Перед установкой аккумуляторного блока в инструмент обязательно убедитесь, что его триггерный переключатель нормально работает и возвращается в положение "OFF" (ВЫКЛ) при отпускании.

⚠ОСТОРОЖНО: ЗАПРЕЩАЕТСЯ нарушать работу кнопки разблокировки, заклеивая ее скотчем или другими способами. Выключатель с неработающей кнопкой разблокировки может стать причиной случайного включения и причинения тяжелой травмы.

⚠ОСТОРОЖНО: ЗАПРЕЩАЕТСЯ использовать инструмент, когда он работает при простом нажатии на триггерный переключатель без нажатия на кнопку разблокировки. Требуемый ремонта инструмент может случайно включиться и причинить тяжелую травму. Верните инструмент в сервисный центр Makita для надлежащего ремонта ДО продолжения его эксплуатации.

⚠ВНИМАНИЕ: Механизм торможения диска циркулярной пилы начинает срабатывать сразу же после того, как оператор отпускает триггерный переключатель. Крепко держите инструмент, чтобы при отпускании триггерного переключателя противодействовать отдаче механизма торможения. В противном случае вы можете выпустить инструмент из рук и травмироваться.

Для предотвращения непреднамеренного включения триггерного переключателя имеется кнопка разблокировки. Для запуска инструмента, отпустите кнопку блокировки, затем потяните триггерный переключатель. Отпустите триггерный переключатель для остановки.

► **Рис.13:** 1. Триггерный переключатель 2. Кнопка разблокировки

ПРИМЕЧАНИЕ: Не нажимайте сильно на триггерный переключатель без нажатия на кнопку разблокировки. Это может привести к поломке переключателя.

Электрический тормоз

Этот инструмент оснащен электрическим тормозом диска. Если после отпускания пускового рычага диск циркулярной пилы зачастую продолжает некоторое время вращаться, отнесите инструмент в сервисный центр Makita для обслуживания.

⚠ВНИМАНИЕ: Тормозная система диска не является заменой кожуха диска. ЗАПРЕЩАЕТСЯ ИСПОЛЬЗОВАТЬ ИНСТРУМЕНТ, ЕСЛИ КОЖУХ ДИСКА НЕ РАБОТАЕТ. ЭТО МОЖЕТ ПРИВЕСТИ К ТЯЖЕЛОЙ ТРАВМЕ.

Электронная функция

Инструменты, в которых доступны электронные функции, просты в эксплуатации благодаря следующим характеристикам.

Функция плавного запуска

Плавный запуск благодаря подавлению начального удара.

СБОРКА

⚠ВНИМАНИЕ: Перед проведением каких-либо работ с инструментом обязательно убедитесь, что инструмент отключен, а блок аккумулятора снят.

Хранение коленчатого ключа

Когда коленчатый ключ не используется, храните его, как показано на рисунке, чтобы не потерять.

► **Рис.14:** 1. Коленчатый ключ

Снятие или установка диска циркулярной пилы

⚠ВНИМАНИЕ: Обязательно проверяйте правильность установки диска циркулярной пилы. Зубья должны смотреть вверх в передней части инструмента.

⚠ВНИМАНИЕ: Для снятия или установки диска циркулярной пилы используйте только коленчатый ключ Makita.

Для снятия диска циркулярной пилы нажмите на фиксатор вала до упора, чтобы предотвратить вращение диска, и ослабьте шестигранный болт, повернув его коленчатым ключом. Удалите шестигранный болт, внешний фланец, диск циркулярной пилы и кольцо (в зависимости от страны).

► **Рис.15:** 1. Фиксатор вала 2. Коленчатый ключ 3. Ослабить 4. Затянуть

Для инструмента без кольца

► **Рис.16:** 1. Болт с шестигранной головкой 2. Наружный фланец 3. Диск циркулярной пилы 4. Стрелка на диске циркулярной пилы 5. Внутренний фланец 6. Стрелка на инструменте

Для инструмента с кольцом

- **Рис.17:** 1. Болт с шестигранной головкой
2. Наружный фланец 3. Диск циркулярной пилы 4. Стрелка на диске циркулярной пилы 5. Кольцо 6. Внутренний фланец 7. Стрелка на инструменте

Установка диска циркулярной пилы выполняется в порядке, обратном процедуре снятия.

Установите диск циркулярной пилы на инструменте таким образом, чтобы стрелка на диске указывала в том же направлении, что и стрелка на инструменте.

Для инструмента с внутренним фланцем под пыльный диск с отверстием, размер которого не соответствует стандарту в 15,88 мм

На противоположных сторонах внутреннего фланца имеются два выступа разного диаметра. Выберите сторону, выступ на которой точно соответствует отверстию на диске циркулярной пилы. Установите внутренний фланец на вал так, чтобы внутренний фланец был обращен выступом нужного диаметра наружу, после чего установите диск циркулярной пилы и внешний фланец.

- **Рис.18:** 1. Установочный вал 2. Внутренний фланец 3. Диск циркулярной пилы 4. Наружный фланец 5. Болт с шестигранной головкой

⚠ОСТОРОЖНО: ХОРОШО ЗАТЯНИТЕ БОЛТ С ШЕСТИГРАННОЙ ГОЛОВКОЙ, ПОВОРАЧИВАЯ ЕГО ПРОТИВ ЧАСОВОЙ СТРЕЛКИ. Не перетягивайте болт. Соскальзывание руки с шестигранного ключа может стать причиной травмы.

⚠ОСТОРОЖНО: Убедитесь, что расположенный снаружи выступ "а" на внутреннем фланце точно входит в отверстие "а" диска циркулярной пилы. Установка диска циркулярной пилы не с той стороны может привести к возникновению опасной вибрации.

Для инструмента с внутренним фланцем под пыльный диск с отверстием диаметром 15,88 мм (зависит от страны)

Установите внутренний фланец на вал утопленной частью наружу, затем установите пыльный диск (при необходимости – с установленным кольцом), внешний фланец и болт с шестигранной головкой.

Для инструмента без кольца

- **Рис.19:** 1. Установочный вал 2. Внутренний фланец 3. Диск циркулярной пилы 4. Наружный фланец 5. Болт с шестигранной головкой

Для инструмента с кольцом

- **Рис.20:** 1. Установочный вал 2. Внутренний фланец 3. Диск циркулярной пилы 4. Наружный фланец 5. Болт с шестигранной головкой 6. Кольцо

⚠ОСТОРОЖНО: ХОРОШО ЗАТЯНИТЕ БОЛТ С ШЕСТИГРАННОЙ ГОЛОВКОЙ, ПОВОРАЧИВАЯ ЕГО ПРОТИВ ЧАСОВОЙ СТРЕЛКИ. Не перетягивайте болт. Соскальзывание руки с шестигранного ключа может стать причиной травмы.

⚠ОСТОРОЖНО: Если для установки диска циркулярной пилы на шпindelь требуется кольцо, обязательно убедитесь, что между внутренним и внешним фланцами установлено кольцо, соответствующее размеру отверстия того пыльного диска, который вы собираетесь использовать. Использование кольца с неподходящим отверстием может привести к неправильной установке диска циркулярной пилы, что вызовет его перемещение и сильную вибрацию, которая может привести к потере контроля над инструментом во время работы и тяжелым травмам.

Очистка ограждения диска

При замене диска циркулярной пилы убедитесь, что вы почистили верхнее и нижнее ограждение диска от скопившихся опилок в соответствии с инструкциями в разделе "Техническое обслуживание". Подобные меры не заменяют необходимость проверки нижнего защитного кожуха перед каждым использованием.

Подключение пылесоса

Дополнительные принадлежности

ПРИМЕЧАНИЕ: Чтобы не потерять резиновый колпачок, закрепите его на передней стороне инструмента.

ПРИМЕЧАНИЕ: Когда пылесос не используется, прикрепите резиновый колпачок к пылесборному патрубку.

Снимите резиновый колпачок с пылесборного патрубка и подсоедините шланг пылесоса.

- **Рис.21:** 1. Резиновый колпачок

При необходимости выполнения чистого распиливания подключите к вашему инструменту пылесос Makita. Подсоедините шланг пылесоса к пылесборному патрубку с помощью передних патрубков 24.

- **Рис.22:** 1. Шланг пылесоса 2. Передние патрубки 24 3. Пылесборный патрубок 4. Резиновый колпачок

ЭКСПЛУАТАЦИЯ

Этот инструмент предназначен для распиливания только лесоматериалов.

Посетите наш веб-сайт или обратитесь к местному дилеру компании Makita для получения информации о дисках циркулярной пилы, подходящих для распиливания материала.

Проверка работы защитного кожуха диска

Установите угол скоса на 0°, вручную выдвиньте нижний защитный кожух до конца и извлеките его.

Нижний защитный кожух работает правильно, если:

- он выходит над основанием без помех;
- автоматически возвращается до касания ограничителя.

► **Рис.23:** 1. Верхний защитный кожух 2. Нижний защитный кожух 3. Основание 4. Ограничитель 5. Направление открытия 6. Направление закрытия

Если нижний защитный кожух не работает правильно, убедитесь в том, что мелкие опилки собираются внутри верхних и нижних защитных кожухов. Если нижний защитный кожух не работает правильно даже после удаления пыли, отнесите инструмент в сервисный центр Makita для обслуживания.

ВНИМАНИЕ: Во время резки надевайте респиратор.

ВНИМАНИЕ: Осторожно перемещайте инструмент вперед по прямой линии.

Применение силы или кручение инструмента приводят к перегреву двигателя и опасному отскоку, результатом чего может стать серьезная травма.

ПРИМЕЧАНИЕ: При низкой температуре блока аккумуляторов инструмент может работать не в полную мощность. В это время инструмент рекомендуется использовать для резания в легких режимах, пока блок аккумуляторов не нагреется до комнатной температуры. Затем инструмент может работать в полную мощность.

► **Рис.24**

Крепко держите инструмент. Инструмент снабжен передней и задней ручками. Используйте обе ручки для удержания инструмента. Если вы держите пилу обеими руками, вы исключаете риск их травмирования пыльным диском. Установите основание циркулярной пилы на распиливаемую деталь так, чтобы пыльный диск не касался детали. Затем включите инструмент и дождитесь набора полной скорости диска циркулярной пилы. Теперь просто перемещайте инструмент вперед по распиливаемой детали, ровно держа пилу и аккуратно подавая ее вперед до полного распиливания детали. Держите инструмент строго по прямой линии и с постоянной скоростью. Если при распиливании произошло отклонение от намеченной линии, не пытайтесь принудительно вернуть инструмент на линию распиливания. Это может вызвать изгиб диска циркулярной пилы и возникновение опасной отдачи, которая может привести к травме. Отпустите выключатель, дождитесь остановки диска циркулярной пилы и вытащите его из распила. Заново совместите инструмент с новой линией пропила и начните распиливание снова. Старайтесь избежать положений, при которых отбрасываемые пилой опилки и древесная пыль попадают на оператора. Во избежание получения травм используйте защитные очки.

Крючок

ВНИМАНИЕ: Всегда извлекайте аккумулятор, если подвешиваете инструмент с помощью крючка.

ВНИМАНИЕ: Не подвешивайте инструмент высоко и не оставляйте его на поверхностях, с которых он может упасть. В противном случае инструмент может упасть и причинить тяжелую травму.

ВНИМАНИЕ: Не тяните подвешенный инструмент вниз.

ВНИМАНИЕ: Используйте детали для подвешивания и монтажа только по назначению. Использование этих деталей не по назначению может привести к несчастному случаю или травме.

Крючок используется для временного подвешивания инструмента. Для использования крючка просто поднимите его так, чтобы он зашелкнулся в открытом положении.

Если крючок не используется, опустите его так, чтобы он зашелкнулся в закрытом положении.

► **Рис.25:** 1. Крючок 2. Открытое положение 3. Закрытое положение

► **Рис.26**

Направляющая планка (направляющая линейка)

Дополнительные принадлежности

Удобная направляющая планка помогает вам делать исключительно точные прямые пропилы. Просто придвиньте направляющую планку к боковой поверхности обрабатываемой детали и закрепите ее в таком положении с помощью винта в передней части основания. Она позволяет также осуществлять повторное отпиливание деталей одинаковой ширины.

► **Рис.27:** 1. Направляющая планка (направляющая линейка) 2. Зажимной винт

Подсоединение стропы (страховочного ремня)

ВНИМАНИЕ: Инструкции по технике безопасности работ на высоте

Ознакомьтесь со всеми предупреждениями и инструкциями по технике безопасности.

Несоблюдение требований предупреждений и инструкций может привести к серьезным травмам.

1. При выполнении работ на высоте обязательно используйте страховочный ремень для фиксации инструмента. Максимальная длина стропы составляет 2 м (6,5 фута). Максимальная допустимая высота падения для стропы (страховочного ремня) не должна превышать 2 м (6,5 фута).
2. С этим инструментом следует использовать только специальные стропы, рассчитанные на нагрузку не менее 7,0 кг (15,4 фунта).

3. Не прикрепляйте строп к элементам одежды или к подвижным деталям. Прикрепите строп инструмента к жесткой конструкции, которая может выдержать вес падающего инструмента.
4. Перед использованием убедитесь в том, что строп надежно закреплен со всех концов.
5. Проверяйте инструмент и строп перед каждым использованием на предмет исправности и отсутствия повреждений (включая состояние ткани и швов). Не используйте поврежденные или неисправные приспособления.
6. Не оборачивайте стропы вокруг предметов с острыми или зазубренными краями и не допускайте соприкосновения стропов с такими предметами.
7. Прикрепите другой конец стропа за пределами рабочей зоны таким образом, чтобы падающий инструмент надежно фиксировался.
8. Прикрепите строп таким образом, чтобы в случае падения инструмент двигался в противоположном от оператора направлении. Упавшие инструменты будут раскачиваться на стропе, что может привести к травме или потере баланса.
9. Не использовать вблизи движущихся частей или работающего оборудования. Несоблюдение этого требования может привести к механическим повреждениям или запутыванию.
10. Не переносите инструмент, держа за крепежное приспособление или строп.
11. Переключайте инструмент из одной руки в другую только находясь в устойчивом положении.
12. Прикрепляя стропы к инструменту, следите за тем, чтобы они не препятствовали нормальной работе защитных приспособлений, переключателей или рычагов блокировки.
13. Не допускайте запутывания в стропе.
14. Держите строп на расстоянии от зоны резания инструмента.
15. Используйте универсальные карабины и карабины с винтовым замком. Не используйте карабины одностороннего действия с пружинным фиксатором.
16. Если инструмент упал, его следует поместить, прекратить его эксплуатацию и отправить на завод или в авторизованный сервисный центр Makita для проверки.

► **Рис.28:** 1. Отверстие для стропа (страховочный ремень)

ОБСЛУЖИВАНИЕ

▲ВНИМАНИЕ: Перед проведением проверки или работ по техобслуживанию всегда проверяйте, что инструмент выключен, а блок аккумулятора снят.

▲ВНИМАНИЕ: Очистите верхний и нижний кожухи, чтобы удалить скопившиеся опилки, так как они могут ухудшить работу нижней защитной системы. Загрязнение защитной системы может помешать ее работе и привести к тяжелым травмам. Самый эффективный способ очистки – это очистка с использованием сжатого воздуха. При удалении пыли из кожухов с помощью сжатого воздуха обязательно используйте надлежащие средства защиты органов зрения и дыхания.

▲ВНИМАНИЕ: После каждого использования удаляйте опилки с инструмента. Мелкие опилки могут попасть внутрь инструмента и привести к неполадке или возгоранию.

ПРИМЕЧАНИЕ: Запрещается использовать бензин, растворители, спирт и другие подобные жидкости. Это может привести к обесцвечиванию, деформации и трещинам.

Для обеспечения БЕЗОПАСНОСТИ и НАДЕЖНОСТИ оборудования ремонт, любое другое техобслуживание или регулировку необходимо производить в уполномоченных сервис-центрах Makita или сервис-центрах предприятия с использованием только сменных частей производства Makita.

Точность регулировки распила под углом 0°

Данная регулировка уже выполнена на предприятии-изготовителе. Если регулировка нарушается, выполните следующую процедуру.

1. Слегка ослабьте рычаг на пластине индикатора.
2. Обеспечьте прямой угол между поверхностью и диском с помощью треугольной или квадратной линейки. Для этого поворачивайте регулировочный винт.

► **Рис.29:** 1. Треугольная линейка
2. Регулировочный винт

3. Затяните рычаг и выполните пробный надрез для проверки перпендикулярности.

ДОПОЛНИТЕЛЬНЫЕ ПРИНАДЛЕЖНОСТИ

⚠ ВНИМАНИЕ: Данные принадлежности или приспособления рекомендуются для использования с инструментом Makita, указанным в настоящем руководстве. Использование других принадлежностей или приспособлений может привести к получению травмы. Используйте принадлежность или приспособление только по указанному назначению.

Если вам необходимо содействие в получении дополнительной информации по этим принадлежностям, свяжитесь с вашим сервис-центром Makita.

- Диск циркулярной пилы
- Коленчатый ключ
- Направляющая планка (направляющая линейка)
- Передние патрубки 24
- Оригинальный аккумулятор и зарядное устройство Makita

ПРИМЕЧАНИЕ: Некоторые элементы списка могут входить в комплект инструмента в качестве стандартных приспособлений. Они могут отличаться в зависимости от страны.

Makita Europe N.V. Jan-Baptist Vinkstraat 2,
3070 Kortenberg, Belgium

Makita Corporation 3-11-8, Sumiyoshi-cho,
Anjo, Aichi 446-8502 Japan

www.makita.com

885863-988
EN, SV, NO, FI, DA,
LV, LT, ET, RU
20201015