



CITY

60198



 [LEGO.com/city](https://www.lego.com/city)

TM!by
ONLINE STORE

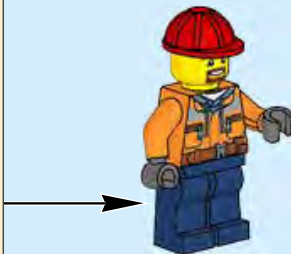
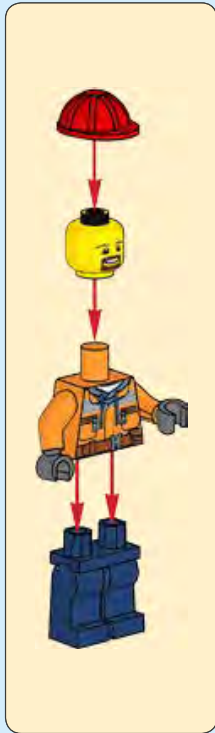
<https://tm.by>
Интернет-магазин



2



[LEGO.com/brickseparator](https://lego.com/brickseparator)



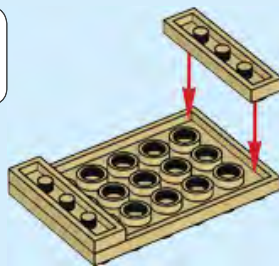
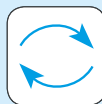
4



1



2

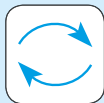


5



2x

3



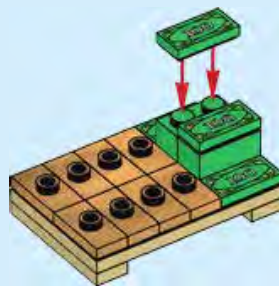
6



4



5



7

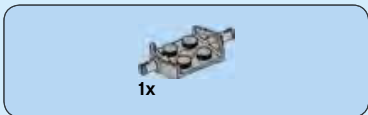


4x

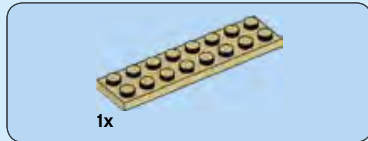
6



8

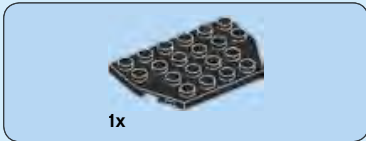


1



2

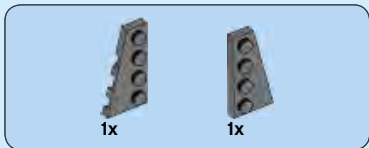




3



10



4



5





1x

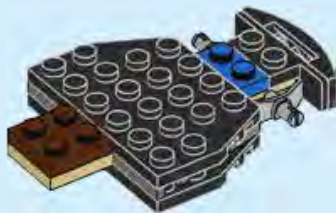
6



12



7



8





1x

9



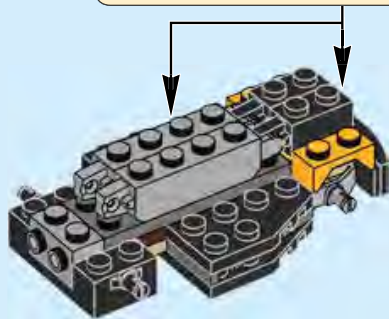
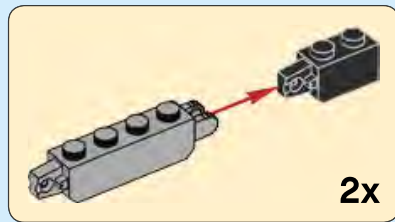
14



10



11

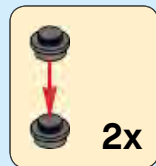


15

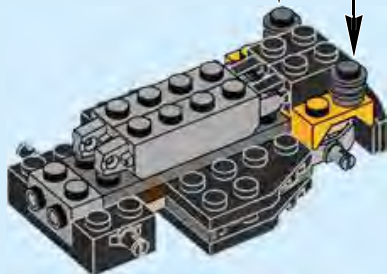


4x

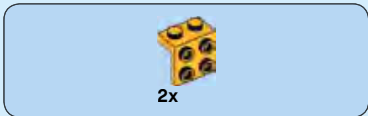
12



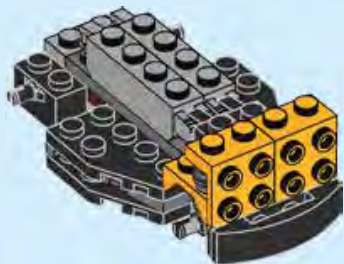
2x



16



13



14





1x

15

1



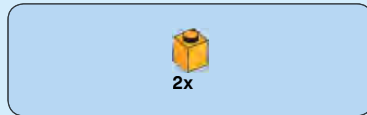
2



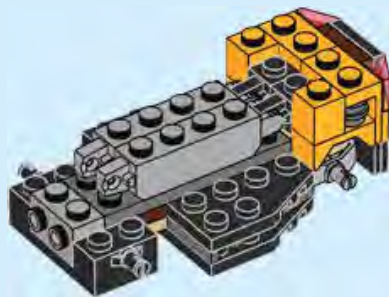
18



16



17

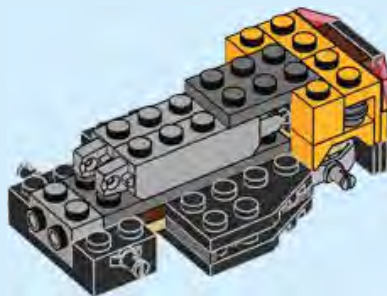


19



1x

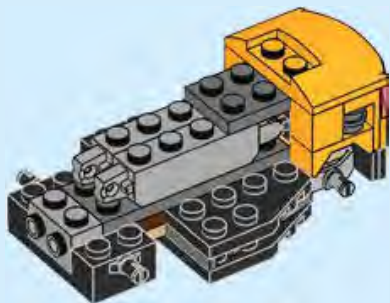
18



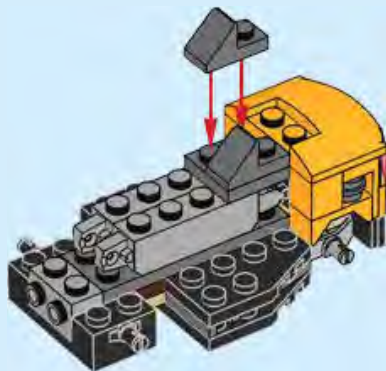
20



19



20

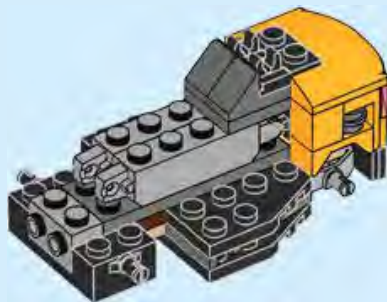


21



2x

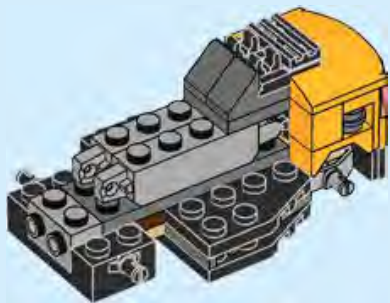
21



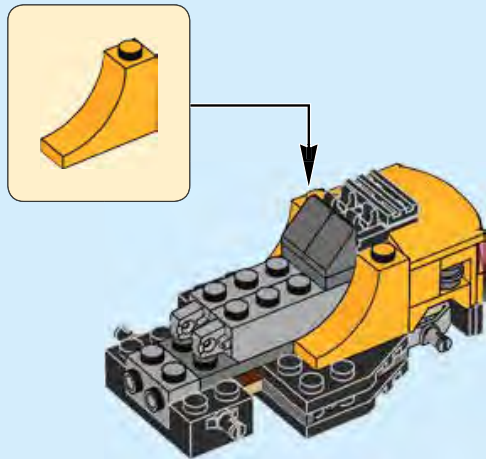
22



22



23

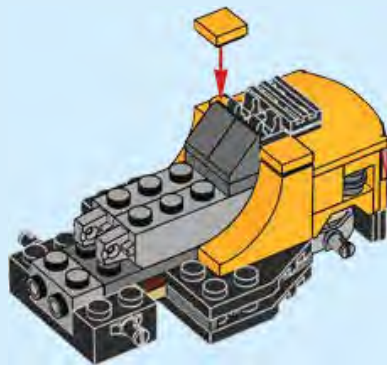


23



2x

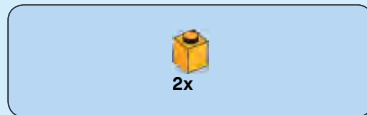
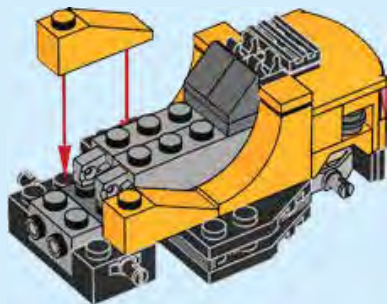
24



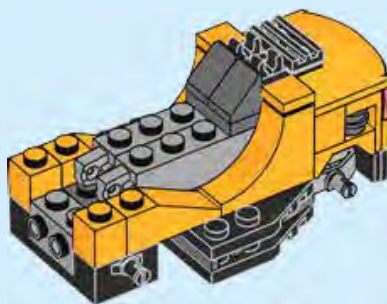
24



25



26

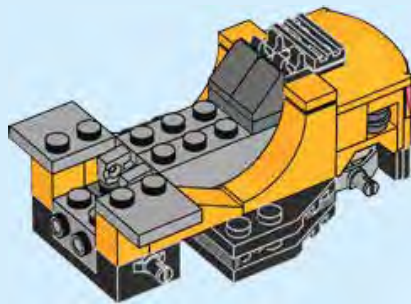


25



2x

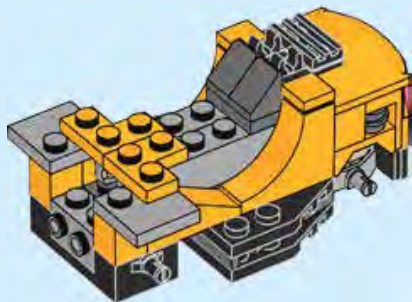
27



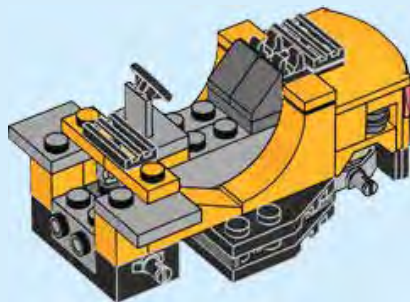
26



28



29



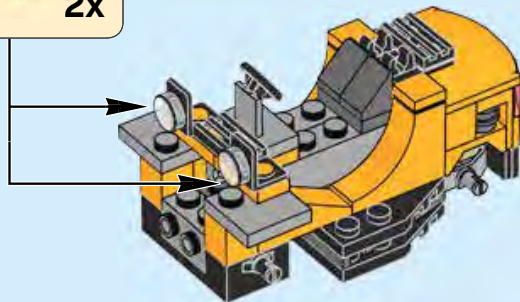


2x



2x

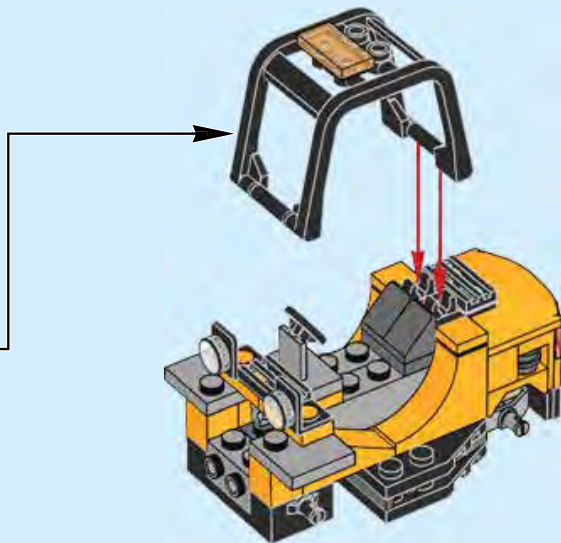
30



28

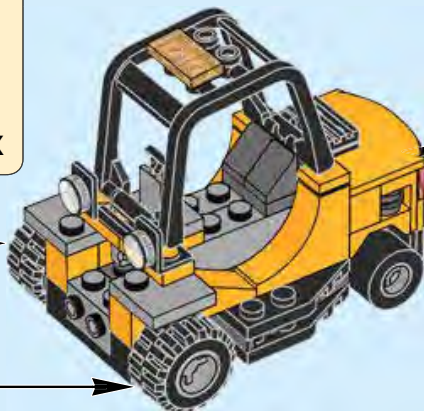
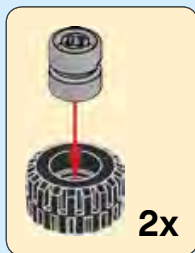


31

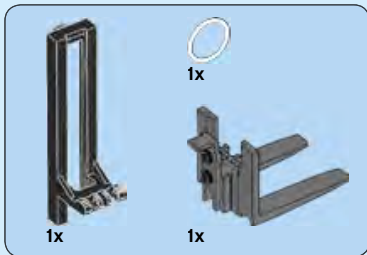




32

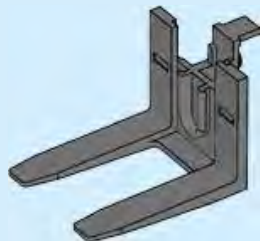


30

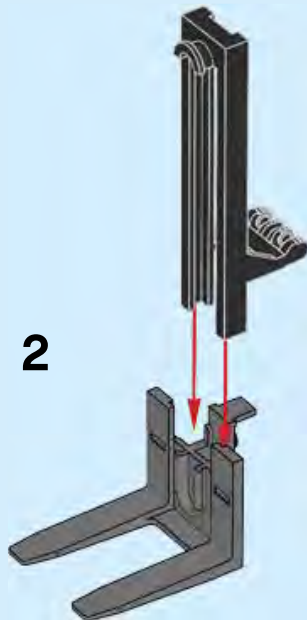


33

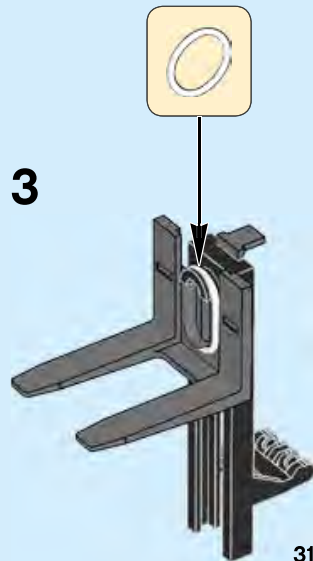
1



2

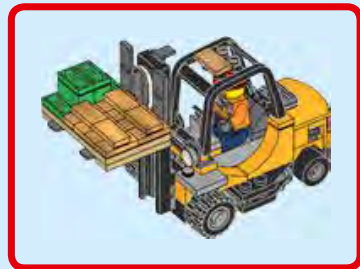
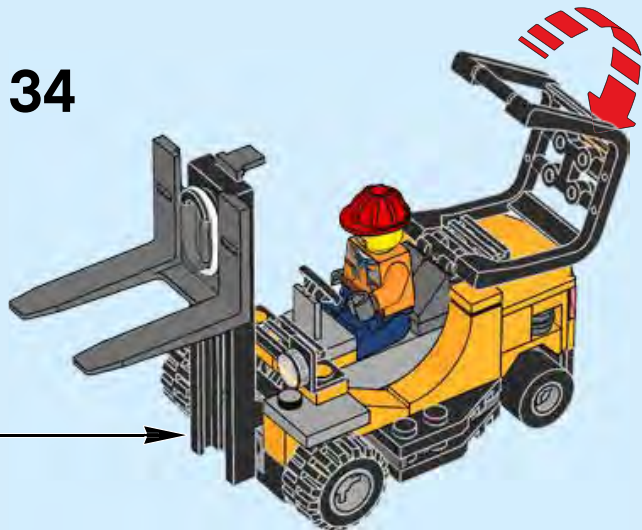


3



31

34



LEGO and the LEGO logo are trademarks of the/son des marques de commerce du/ son marcas registradas de LEGO Group. ©2018 The LEGO Group.

6245902