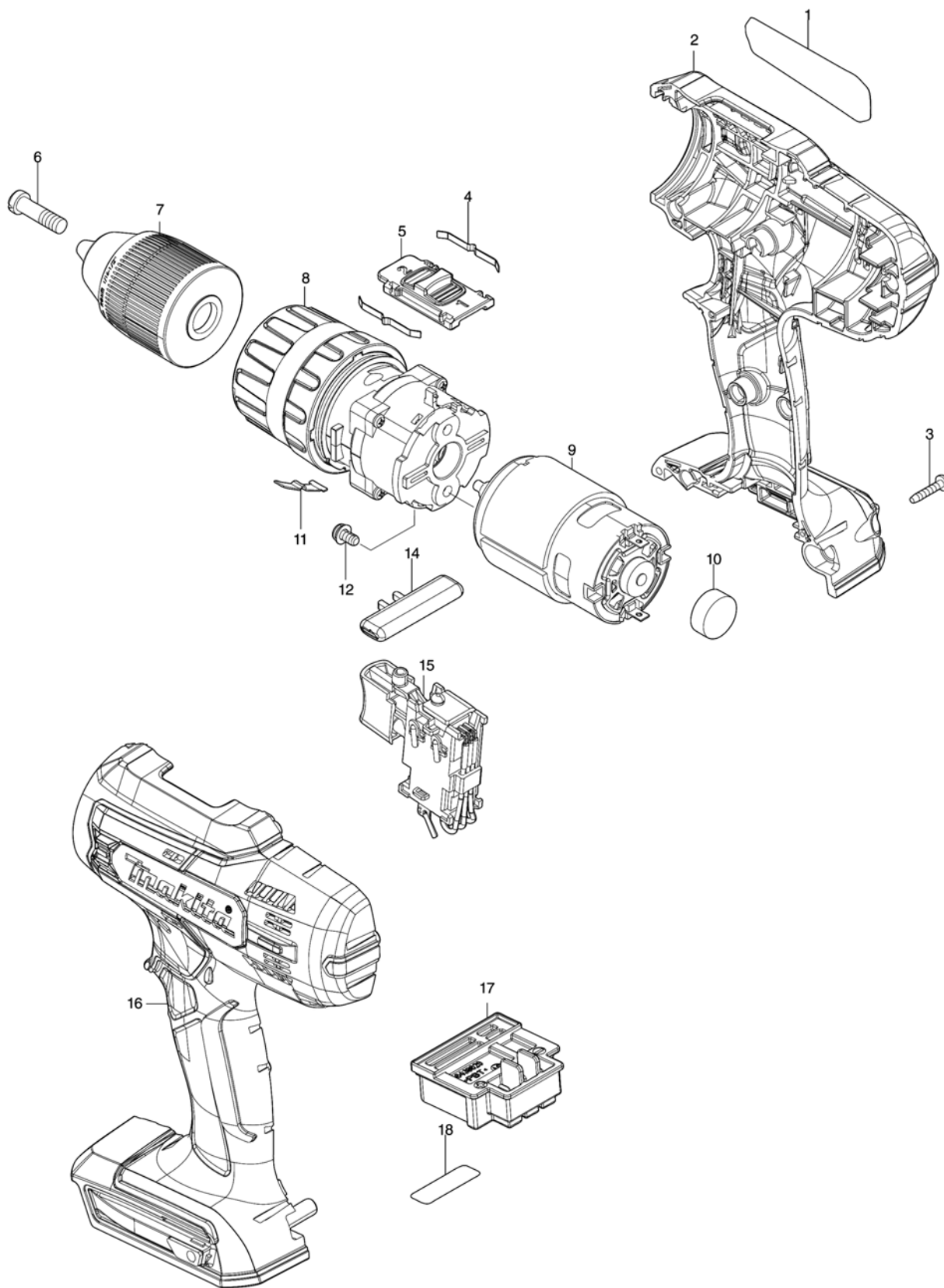


Model No.HP488D CORDLESS HAMMER DRIVER DRILL



Model No.HP488D CORDLESS HAMMER DRIVER DRILL

Item	Parts No.	Description	I/C	Qty	New/Old	Opt. 1	Opt. 2	Note
001	858A41-4	HP488D NAME PLATE		1				
002	183R93-1	HOUSING SET		1				
C10	252126-6	HEX. LOCK NUT M4-7		2				
D10		INC. 16						
003	266429-2	TAPPING SCREW 3X16		9				
004	232220-0	LEAF SPRING		2				
005	127754-5	SPEED CHANGE LEVER ASSEMBLY		1				
C10	233438-6	COMPRESSION SPRING 4		2				
006	251468-5	- FLAT HEAD SCREW M6X22		1				
007A	766004-9	KEYLESS DRILL CHUCK 13		1	*			
007B	766004-9	KEYLESS DRILL CHUCK 13		1	*			
007-1A	763260-2	KEYLESS DRILL CHUCK 13	O	1				
007-1B	763260-2	KEYLESS DRILL CHUCK 13	O	1				
007-1C	763260-2	KEYLESS DRILL CHUCK 13		1				
008	127733-3	GEAR ASSEMBLY		1				
009	629937-8	DC MOTOR		1				
010	421940-3	CAP		1				
011	232182-2	LEAF SPRING		1				
012	911108-4	PAN HEAD SCREW M4X8		2				
014	452399-3	F/R CHANGE LEVER		1				
015	638862-2	SWITCH UNIT		1				
C10	688164-6	LINE FILTER		1				
C20	688165-4	LINE FILTER		1				
016	183R93-1	HOUSING SET		1				
C10	252126-6	HEX. LOCK NUT M4-7		2				
D10		INC. 2						
017	643862-9	TERMINAL		1				
018	858A45-6	HP488D SERIAL NO. LABEL		1				
A01A	784637-8	+ - BIT 2-45		1				
A01B	784637-8	+ - BIT 2-45		1				
A02A	***DC18WA	DC18WA BATTERY CHARGER		1				
D10		COMPO-PARTS						
A02B	***DC18WB	DC18WB BATTERY CHARGER		1				
A02C	***DC18WB	DC18WB BATTERY CHARGER		1				
D10		COMPO-PARTS						
A03	198186-3	BATTERY BL1815G SET		2				
A04	452652-7	BATTERY COVER		1				
A05A	821844-3	PLASTIC CARRYING CASE		1				
C10	455522-9	SLIDE LATCH		2				
A05B	821844-3	PLASTIC CARRYING CASE		1				
C10	455522-9	SLIDE LATCH		2				

Please order the parts with part number.

Print Date 28/12/2021

Model No.HP488D CORDLESS HAMMER DRIVER DRILL

Item	Parts No.	Description	I/C	Qty	New/Old	Opt. 1	Opt. 2	Note
A06A	8027B7-6	HP488DWE PLASTIC CASE LABEL		2				
A06B	8044G4-5	HP488D002 PLASTIC CASE LABEL		2				
A08C	196635-4	TOOL CHEST		1				

Please order the parts with part number.

Print Date 28/12/2021