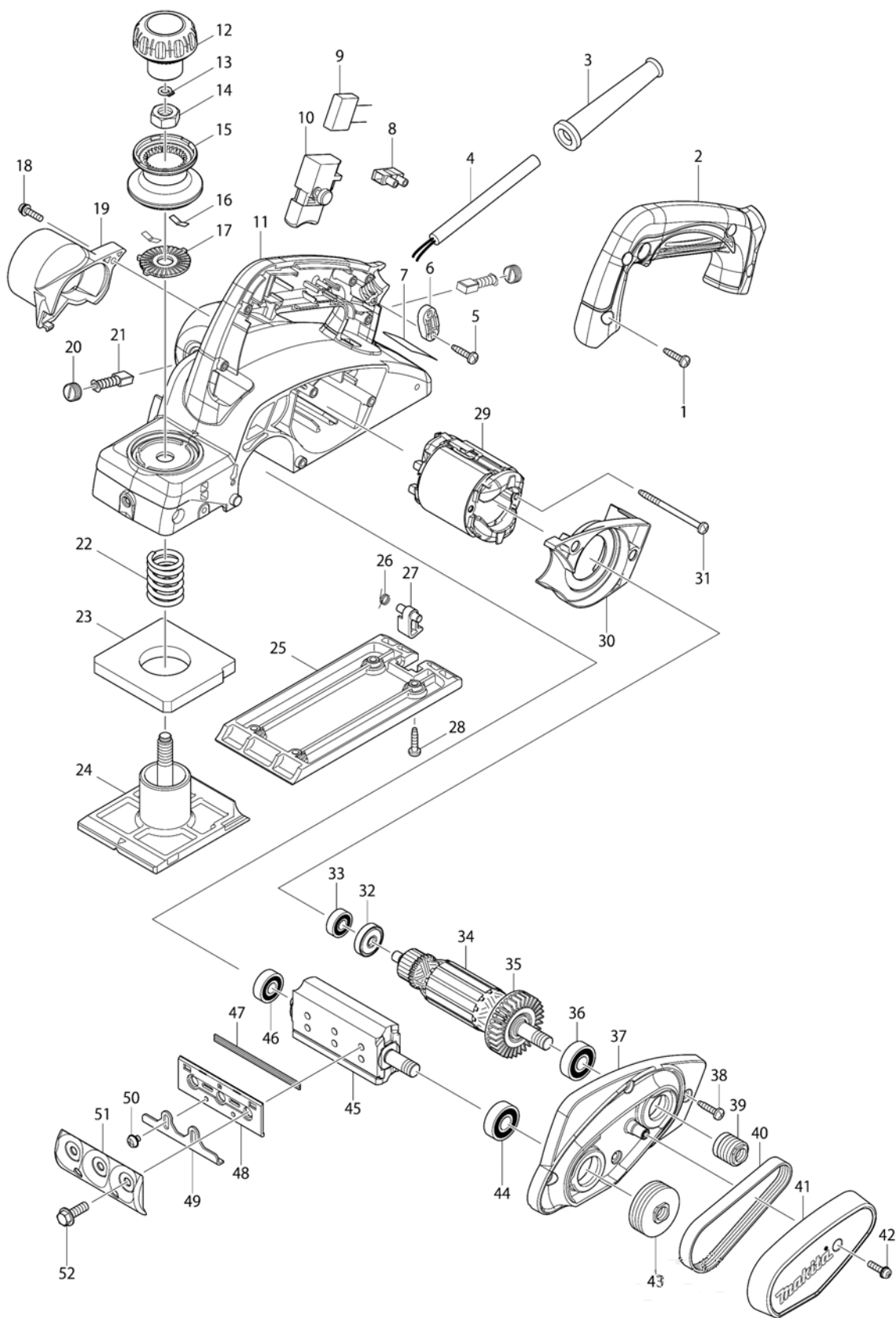


Model No.KP0800 POWER PLANER 82MM



Model No.KP0800 POWER PLANER 82MM

Item	Parts No.	Description	I/C	Qty	New/Old	Opt. 1	Opt. 2	Note
001	266326-2	TAPPING SCREW 4X18		4				
002	451314-4	HANDLE COVER		1				
003A	682569-2	CORD GUARD 8-85		1	*			
003-1A	682502-4	CORD GUARD 8-85	O	1				
003-1B	682502-4	CORD GUARD 8-85		1				
004	665394-6	POWER SUPPLY CORD 1.0-2-2.5		1				
005	266326-2	TAPPING SCREW 4X18		2				
006A	687124-5	STRAIN RELIEF		1	*			
006-1A	687052-4	STRAIN RELIEF	O	1				
006-1B	687052-4	STRAIN RELIEF		1				
007	867138-2	KP0800 NAME PLATE		1				
008	654532-5	TERMINAL BLOCK 1P		1				
009A	645200-1	NOISE SUPPRESSOR		1	*			
009-1A	645190-8	NOISE SUPPRESSOR	O	1				
009-1B	645190-8	NOISE SUPPRESSOR		1				
010	650237-5	SWITCH SGES115C-6		1				
011	140197-4	MAIN FRAME COMPLETE		1				
C10	643455-2	BRUSH HOLDER 6X9		2				
012	451328-3	KNOB COVER		1				
013	961004-6	RETAINING RING S-8		1				
014	264028-4	HEX. NUT M10		1				
015	451324-1	KNOB		1	*			
015-1	451324-1	KNOB	O	1				
016	232185-6	LEAF SPRING		2				
017	346110-2	CAM PLATE		1	*			
017-1	346110-2	CAM PLATE	O	1				
018	911128-8	P.H.SCREW M4X16 WITH WR		1				
019	451329-1	NOZZLE		1				
020	643550-8	BRUSH HOLDER CAP 5-8		2				
021	191940-4	CARBON BRUSH CB-411		1				
022	231004-3	COMPRESSION SPRING 18		1				
023	421007-7	RUBBER PACKING		1				
024A	318491-4	FRONT BASE		1	*			
024-1A	319010-9	FRONT BASE	O	1				
024-1B	319010-9	FRONT BASE		1				
025A	318499-8	BASE		1	*			
025-1A	319009-4	BASE	O	1				
025-1B	319009-4	BASE		1				
026	231698-4	TORSION SPRING 7		1				
027	451392-4	FOOT		1				
028	266326-2	TAPPING SCREW 4X18		4				
029	593718-5	FIELD ASS'Y 220-240V		1				

Please order the parts with part number.

Print Date 31/3/2020

Model No.KP0800 POWER PLANER 82MM

Item	Parts No.	Description	I/C	Qty	New/Old	Opt. 1	Opt. 2	Note
C10	654100-4	RING TERMINAL		2				
C20	654501-6	CONNECTOR P-1.25		2				
030	451327-5	BAFFLE PLATE		1				
031A	266334-3	TAPPING SCREW 4X60		2	*			
031-1A	266052-3	TAPPING SCREW 4X60	O	2				
031-1B	266052-3	TAPPING SCREW 4X60		2				
032	681652-2	INSULATION WASHER		1				
033	210017-7	BALL BEARING 607DDW		1				
034	515793-1	ARMATURE ASS'Y 220V		1				
D10		INC. 32,33,35,36						
035	240052-1	FAN 46		1				
036	211088-7	BALL BEARING 6000DDW		1				
037	140201-9	BRACKET COMPLETE		1				
C10	263002-9	RUBBER PIN 4		2				
038	266326-2	TAPPING SCREW 4X18		4				
039	222163-4	V PULLEY 4-20L		1				
040	225007-7	POLY V-BELT 4-241		1				
041	451326-7	BELT COVER		1				
042	911128-8	P.H.SCREW M4X16 WITH WR		1				
043	222164-2	V PULLEY 4-37		1				
044	211088-7	BALL BEARING 6000DDW		1				
045	161061-6	DRUM		1				
046A	211032-4	BALL BEARING 608ZZ		1	*			
046B	211032-4	BALL BEARING 608ZZ		1				
046-1A	210223-4	BALL BEARING 608ZZ	O	1				
047	A-82921	T.C.T. MINI PLANER BLADE		1	*			
047-1	D-07945	82MM TCT MINI PLANER BLADE	O	1				
048	343433-9	SET PLATE F/MINI BLADE		2				
049	345644-2	ADJUST PLATE		2	*			
049-1	345644-2	ADJUST PLATE	O	2				
050	265132-2	+ PAN HEAD SCREW M4X5		4				
051	345007-2	DRUM PLATE		1	*			
051-1	187679-5	DRUM PLATE SET	O	1				
052	251609-3	HEX. FLANGE HEAD BOLT M6X17		6				
A01	123062-2	BLADE GAUGE ASS'Y		1	*			
C10	911228-4	PAN HEAD SCREW M5X18		2	*			
C20	411086-3	GAUGE PLATE		1	*			
A01-1	127669-6	BLADE GAUGE ASSEMBLY	O	1				
C10	911228-4	PAN HEAD SCREW M5X18		2				
C20	418465-6	GAUGE PLATE		1				
A02	782209-3	SOCKET WRENCH 9		1				

Please order the parts with part number.

Print Date 31/3/2020

Model No.KP0800 POWER PLANER 82MM

Item	Parts No.	Description	I/C	Qty	New/Old	Opt. 1	Opt. 2	Note
A03B	821551-8	CONNECTOR PLASTIC CASE (TYPE3)		1				
C10	453974-8	LATCH		4				
A04B	837659-8	INNER TRAY		1				
A05B	800X52-3	KP0800J INDICATION LABEL		1				
A06B	800X53-1	KP0800J PLASTIC CASE LABEL		2				

Please order the parts with part number.

Print Date 31/3/2020