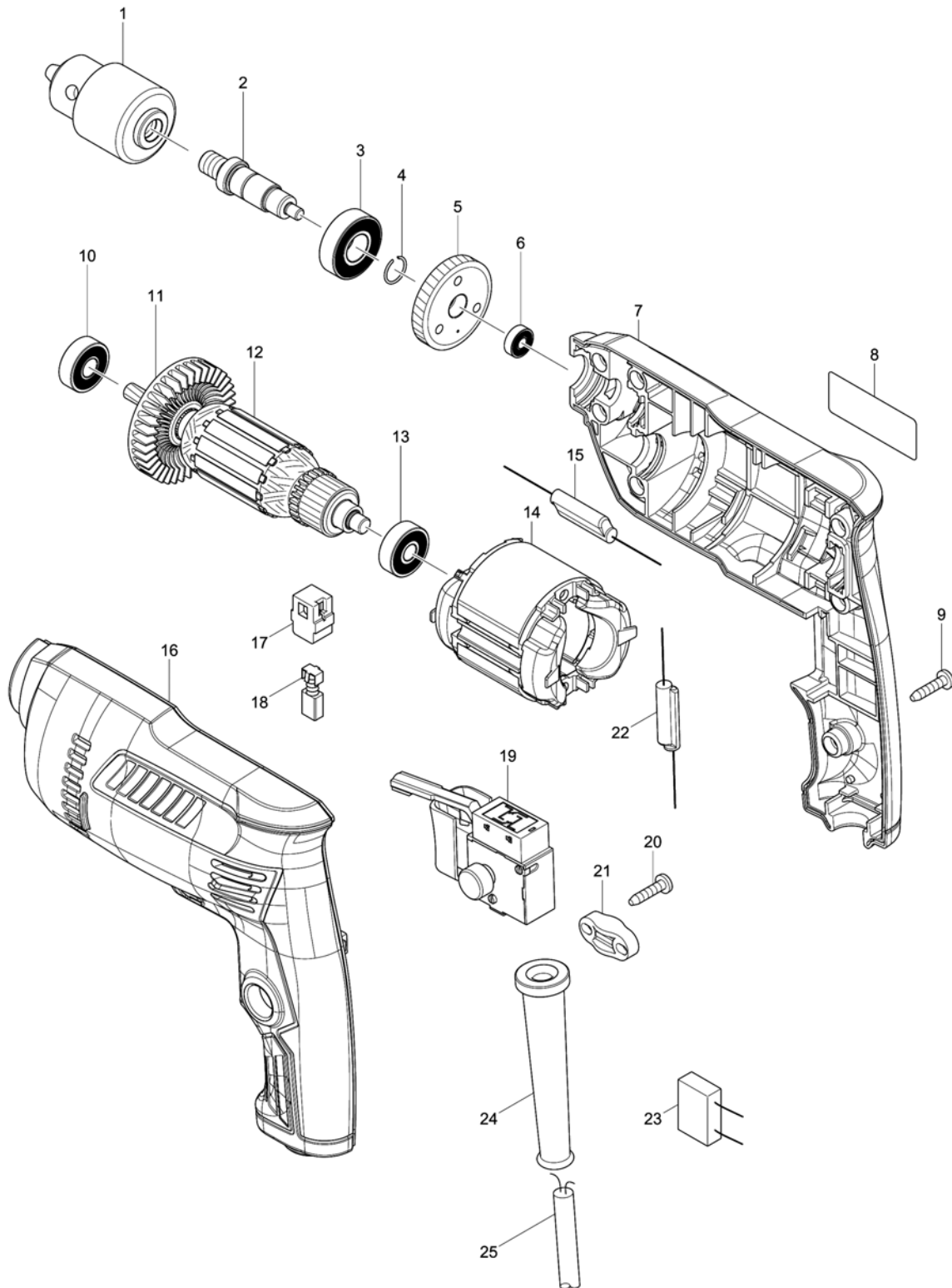


Model No.M0600 10MM DRILL



Model No.M0600 10MM DRILL

| Item | Parts No. | Description | I/C | Qty | New/Old | Opt. 1 | Opt. 2 | Note |
|-------|-----------|-----------------------------|-----|-----|---------|--------|--------|------|
| 001 | 766014-6 | DRILL CHUCK S10 | | 1 | | | | |
| 002 | 326025-9 | SPINDLE | | 1 | | | | |
| 003 | 210119-9 | BALL BEARING 6001ZZ | | 1 | | | | |
| 004 | 233950-6 | RING SPRING 11 | | 1 | | | | |
| 005 | 227742-3 | HELICAL GEAR 35 | | 1 | | | | |
| 006 | 210137-7 | BALL BEARING 606ZZ | | 1 | | | | |
| 007 | 183B21-0 | HOUSING SET | | 1 | | | | |
| D10 | | INC. 16 | | | | | | |
| 008 | 851A82-9 | M0600 NAME PLATE | | 1 | * | | | |
| 008-1 | 851A82-9 | M0600 NAME PLATE | O | 1 | | | | |
| 009 | 266326-2 | TAPPING SCREW 4X18 | | 7 | | | | |
| 010 | 210046-0 | BALL BEARING 608ZZ | | 1 | | | | |
| 011 | 240127-6 | FAN 52 | | 1 | | | | |
| 012 | 515834-3 | ARMATURE ASS'Y 240V | | 1 | | | | |
| D10 | | INC. 10,11,13 | | | | | | |
| 013 | 210050-9 | BALL BEARING 627ZZ | | 1 | | | | |
| 014-1 | 633989-3 | FIELD | | 1 | | | | |
| 015 | 646230-5 | CHOKE COIL | | 1 | * | | | |
| 015-1 | 646153-7 | CHOKE COIL | O | 1 | | | | |
| 016 | 183B21-0 | HOUSING SET | | 1 | | | | |
| D10 | | INC. 7 | | | | | | |
| 017 | 643566-3 | BRUSH HOLDER 5X8 | | 2 | | | | |
| 018 | 191627-8 | CARBON BRUSH CB-64 | | 1 | | | | |
| 019 | 650240-6 | SWITCH FA2-4/1BEK | | 1 | | | | |
| 020 | 266326-2 | TAPPING SCREW 4X18 | | 2 | | | | |
| 021 | 687124-5 | STRAIN RELIEF | | 1 | | | | |
| 022 | 646231-3 | CHOKE COIL | | 1 | * | | | |
| 022-1 | 646147-2 | CHOKE COIL | O | 1 | | | | |
| 023 | 645273-4 | NOISE SUPPRESSOR | | 1 | * | | | |
| 023-1 | 645190-8 | NOISE SUPPRESSOR | O | 1 | | | | |
| 024 | 682582-0 | CORD GUARD | | 1 | | | | |
| 025-1 | 695556-2 | POWER SUPPLY CORD 1.0-2-2.0 | | 1 | * | | | |
| 025-2 | 665383-1 | POWER SUPPLY CORD 1.0-2-2.0 | O | 1 | | | | |
| A01 | 763447-6 | CHUCK KEY S10 | | 1 | | | | |

Please order the parts with part number.

Print Date 2/6/2022