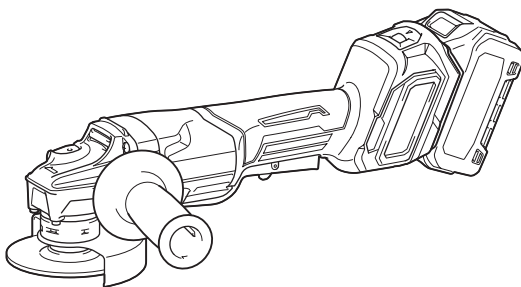




EN	Cordless Angle Grinder	INSTRUCTION MANUAL	9
SV	Batteridrivnen vinkelslipmaskin	BRUKSANVISNING	24
NO	Batteridrevet vinkelsliper	BRUKSANVISNING	39
FI	Akkukäyttöinen kulmahiomakone	KÄYTTÖOHJE	54
DA	Ledningsfri vinkelsliber	BRUGSANVISNING	69
LV	Bezvada leņķa slīpmašīna	LIETOŠANAS INSTRUKCIJA	84
LT	Belaidis kampinis šlifuoklis	NAUDOJIMO INSTRUKCIJA	99
ET	Juhtmeta nurklihvija	KASUTUSJUHEND	114
RU	Акумуляторная угловая шлифмашина	РУКОВОДСТВО ПО ЭКСПЛУАТАЦИИ	129

GA027G
GA028G
GA029G
GA030G
GA031G
GA032G



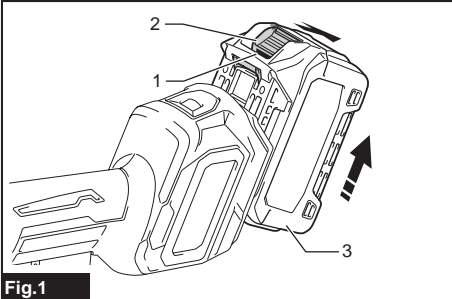


Fig.1

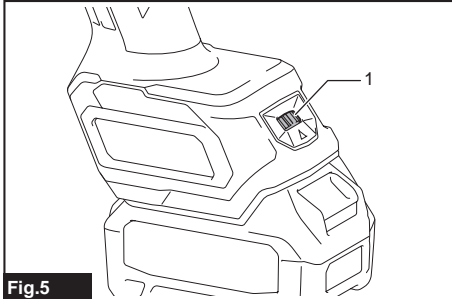


Fig.5

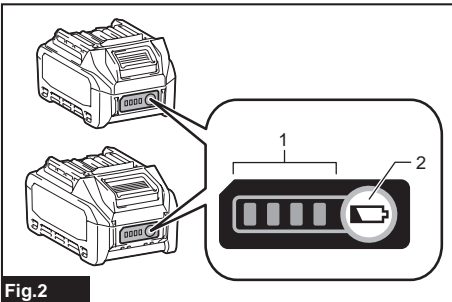


Fig.2

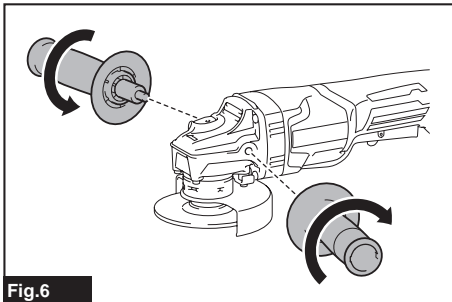


Fig.6

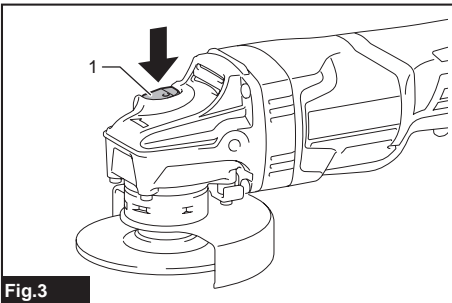


Fig.3

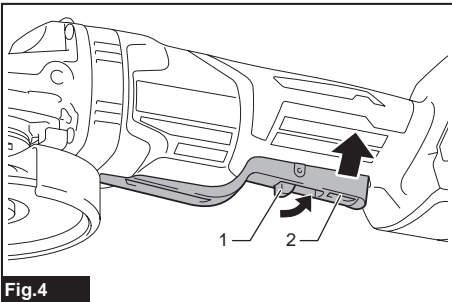


Fig.4

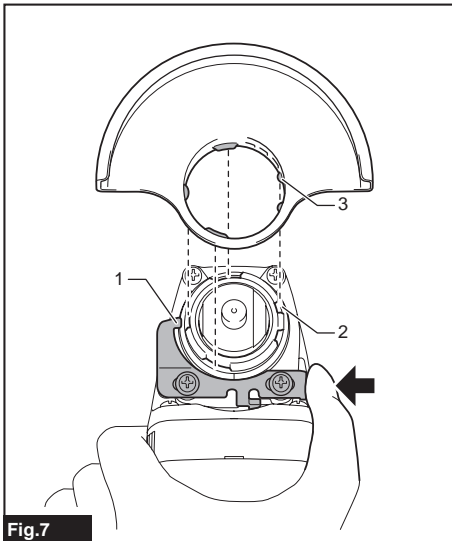


Fig.7

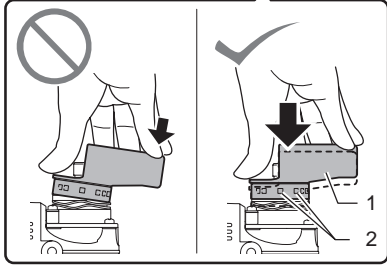
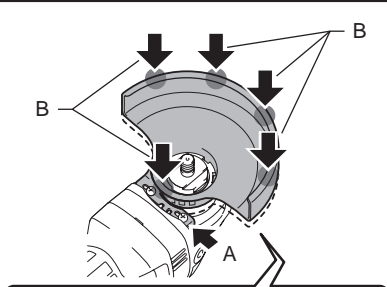


Fig.8

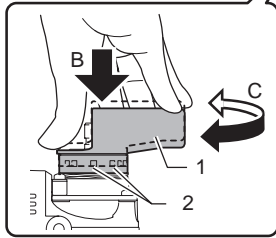
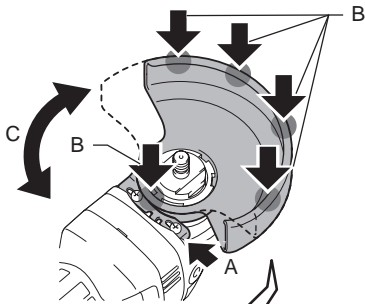


Fig.9

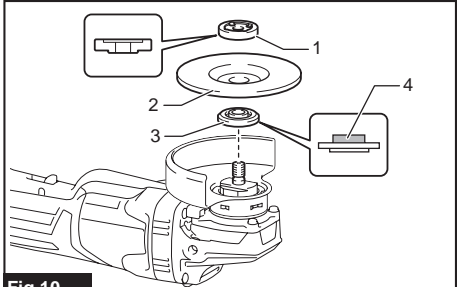


Fig.10

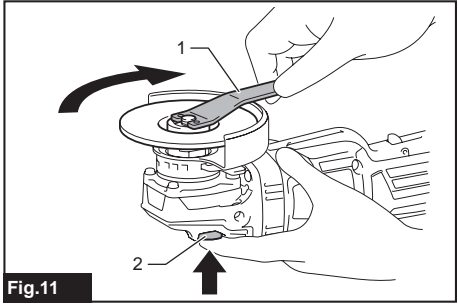


Fig.11

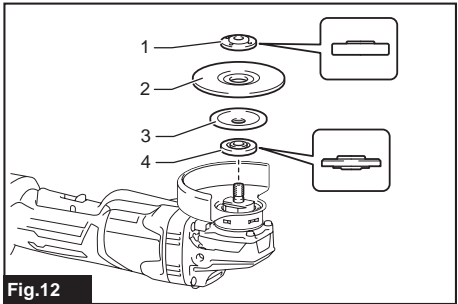


Fig.12

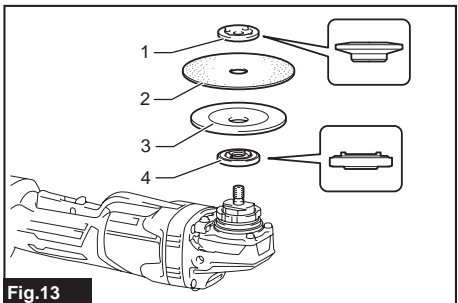


Fig.13

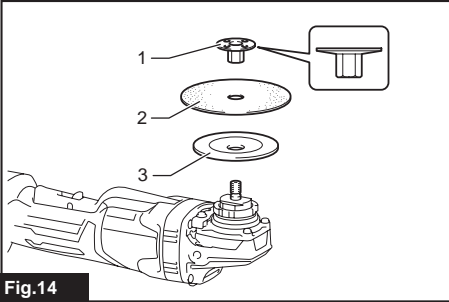


Fig.14

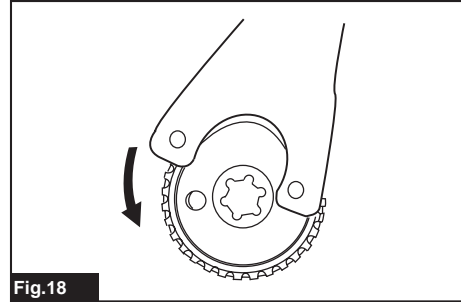


Fig.18

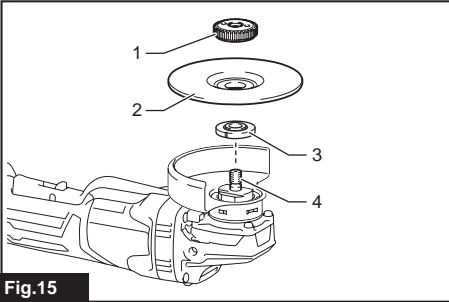


Fig.15

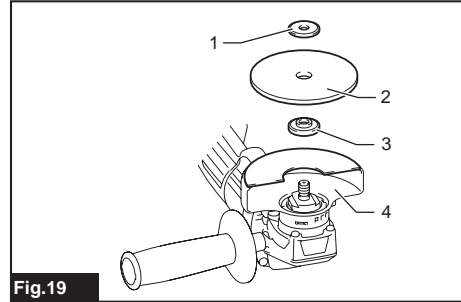


Fig.19

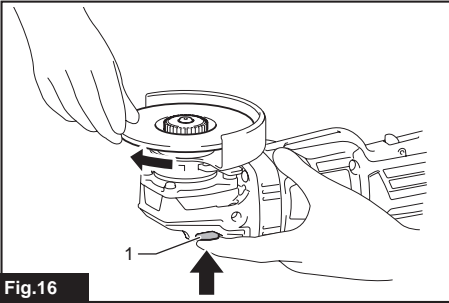


Fig.16

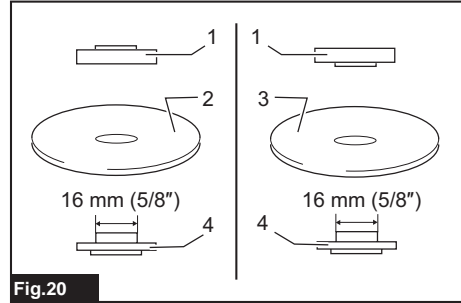


Fig.20

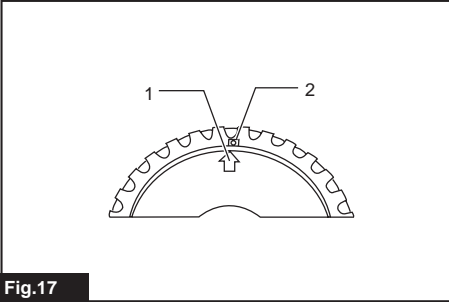


Fig.17

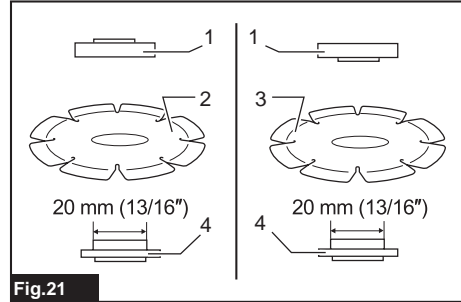
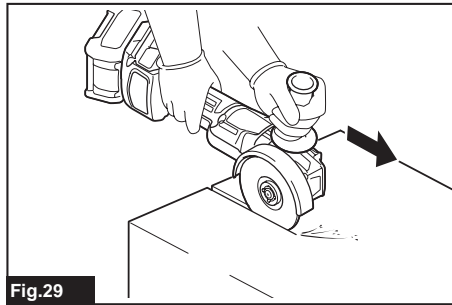
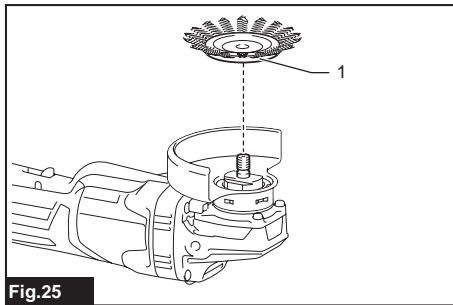
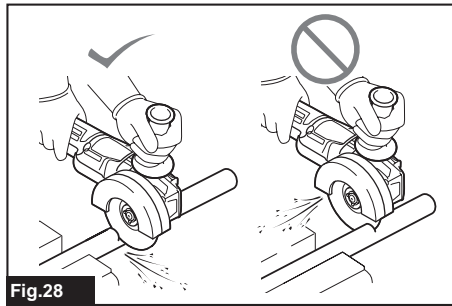
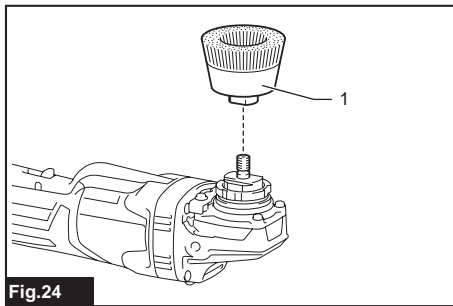
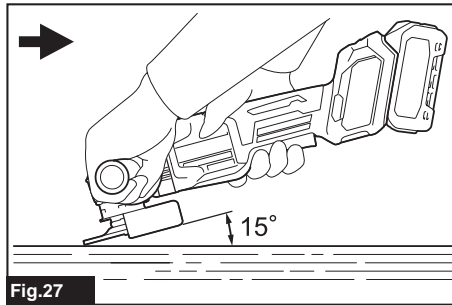
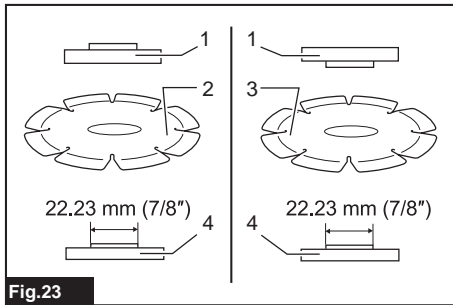
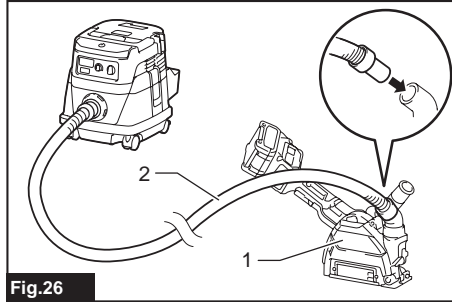
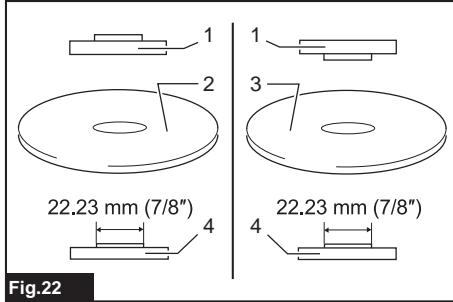


Fig.21



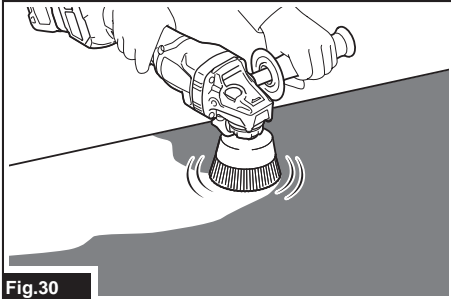


Fig.30

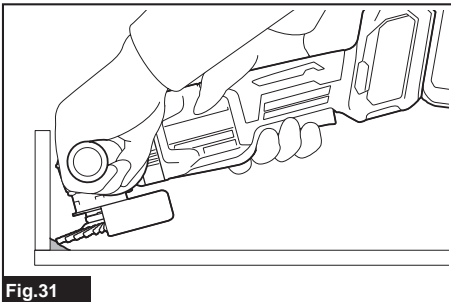


Fig.31

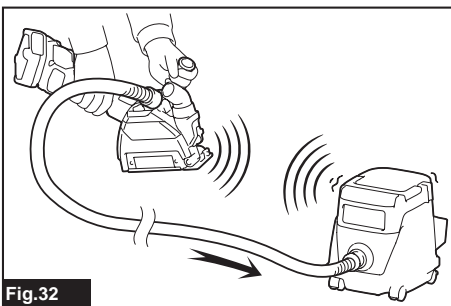


Fig.32

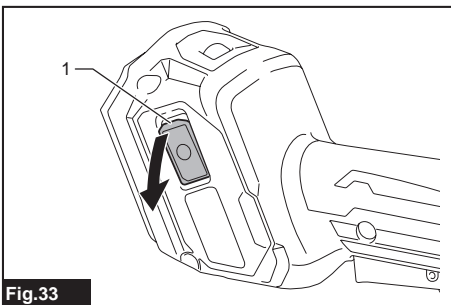


Fig.33

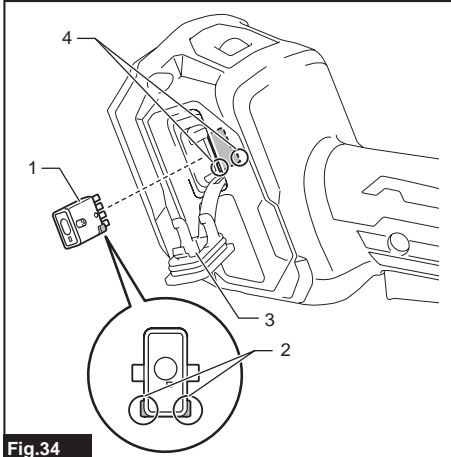


Fig.34

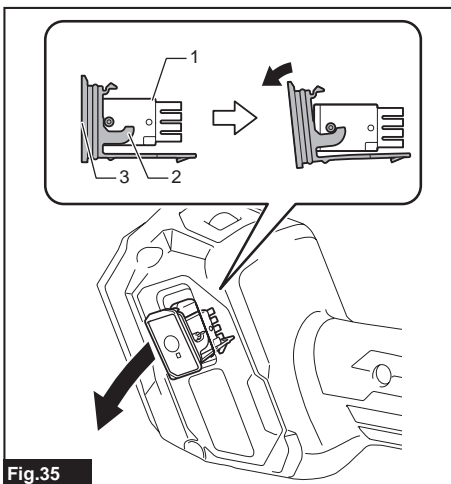


Fig.35

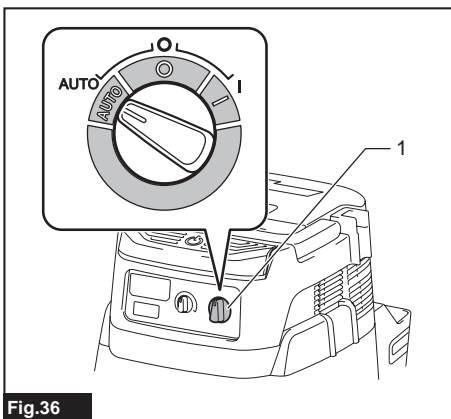


Fig.36

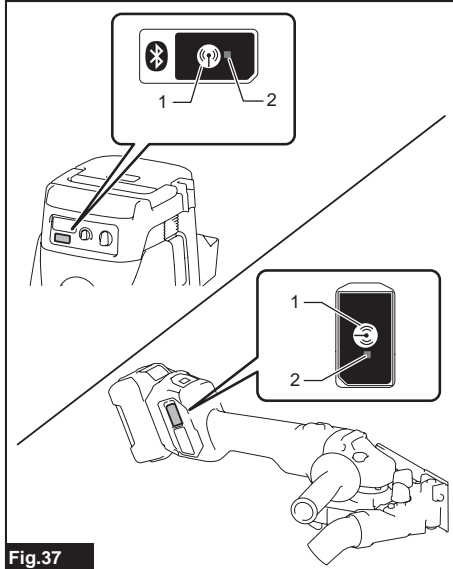


Fig.37

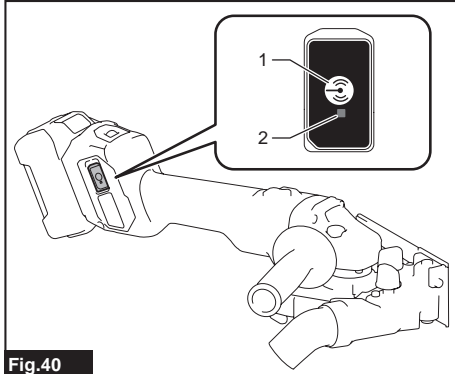


Fig.40

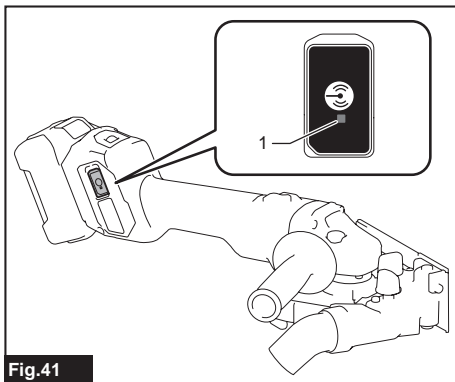


Fig.41

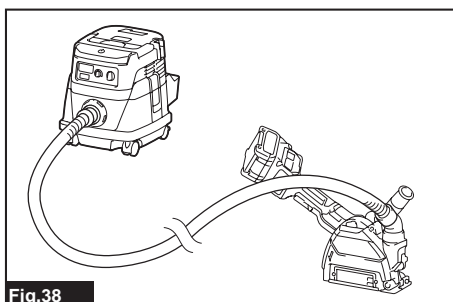


Fig.38

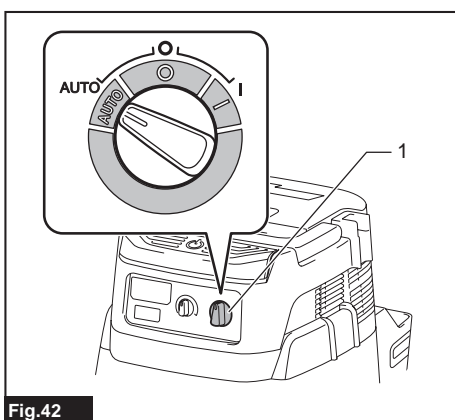


Fig.42

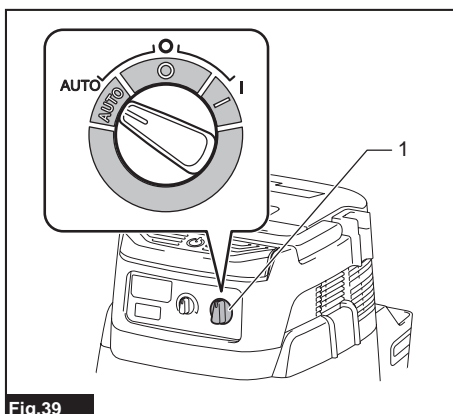


Fig.39

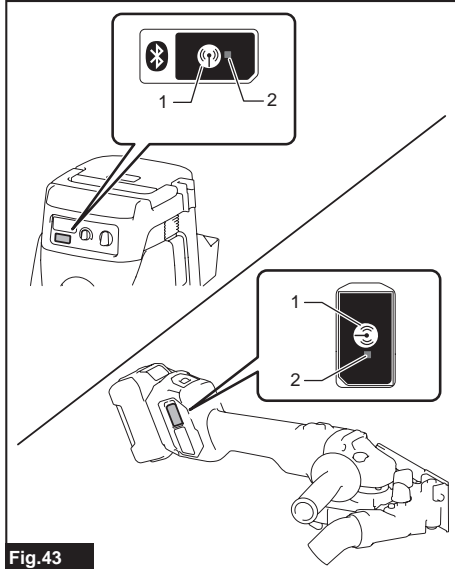


Fig.43

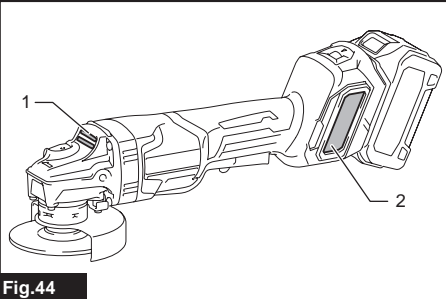


Fig.44

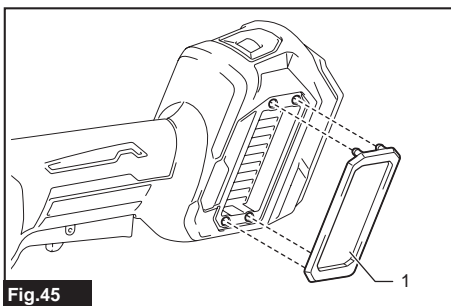


Fig.45

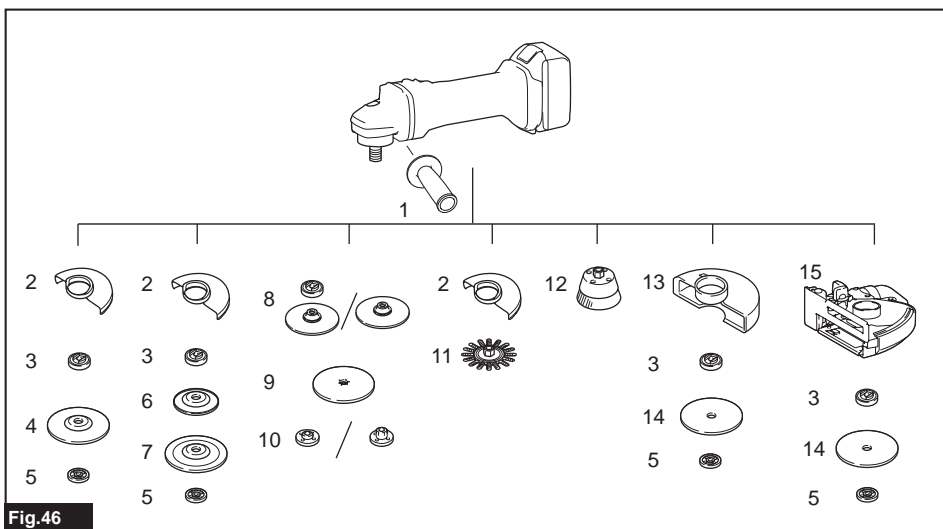


Fig.46

SPECIFICATIONS

Model:	GA027G	GA028G	GA029G	GA030G	GA031G	GA032G
Wheel diameter	100 mm (4")	115 mm (4-1/2")	125 mm (5")	100mm (4")	115 mm (4-1/2")	125 mm (5")
Max. wheel thickness	6.4 mm	7.2 mm		6.4 mm	7.2 mm	
Spindle thread	M10	M14 or 5/8" (country specific)		M10	M14 or 5/8" (country specific)	
Rated speed (n)	8,500 min ⁻¹					
Overall length	with BL4025		413 mm			
	with BL4040		425 mm			
Net weight	2.9 - 3.4 kg	3.0 - 3.6 kg	3.0 - 4.5 kg	2.8 - 3.4 kg	2.9 - 3.6 kg	3.0 - 4.4 kg
Rated voltage	D.C. 36 V - 40 V max					

- Due to our continuing program of research and development, the specifications herein are subject to change without notice.
- Specifications may differ from country to country.
- The weight may differ depending on the attachment(s), including the battery cartridge. The lightest and heaviest combination, according to EPTA-Procedure 01/2014, are shown in the table.

Applicable battery cartridge and charger

Battery cartridge	BL4025 / BL4040
Charger	DC40RA

- Some of the battery cartridges and chargers listed above may not be available depending on your region of residence.

⚠ WARNING: Only use the battery cartridges and chargers listed above. Use of any other battery cartridges and chargers may cause injury and/or fire.

Intended use

The tool is intended for grinding, sanding, wire brushing and cutting of metal and stone materials without the use of water.

Noise

The typical A-weighted noise level determined according to EN60745-2-3:

Model	Sound pressure level (L _{pA}) : (dB(A))	Sound power level (L _{WA}) : (dB(A))	Uncertainty (K) : (dB(A))
GA027G	81	92	3
GA028G	81	92	3
GA029G	82	93	3
GA030G	81	92	3
GA031G	81	92	3
GA032G	82	93	3

NOTE: The declared noise emission value(s) has been measured in accordance with a standard test method and may be used for comparing one tool with another.

NOTE: The declared noise emission value(s) may also be used in a preliminary assessment of exposure.

⚠️ WARNING: Wear ear protection.

⚠️ WARNING: The noise emission during actual use of the power tool can differ from the declared value(s) depending on the ways in which the tool is used especially what kind of workpiece is processed.

⚠️ WARNING: Be sure to identify safety measures to protect the operator that are based on an estimation of exposure in the actual conditions of use (taking account of all parts of the operating cycle such as the times when the tool is switched off and when it is running idle in addition to the trigger time).

Vibration

The vibration total value (tri-axial vector sum) determined according to EN60745-2-3:

Work mode: surface grinding with normal side grip

Model	Vibration emission ($a_{hr, AG}$) : (m/s ²)	Uncertainty (K) : (m/s ²)
GA027G	4.5	1.5
GA028G	5.0	1.5
GA029G	6.0	1.5
GA030G	4.5	1.5
GA031G	5.0	1.5
GA032G	6.0	1.5

Work mode: surface grinding with anti vibration side grip

Model	Vibration emission ($a_{hr, AG}$) : (m/s ²)	Uncertainty (K) : (m/s ²)
GA027G	4.5	1.5
GA028G	5.0	1.5
GA029G	6.5	1.5
GA030G	4.5	1.5
GA031G	5.0	1.5
GA032G	6.5	1.5

Work mode: disc sanding with normal side grip

Model	Vibration emission ($a_{hr, AG}$) : (m/s ²)	Uncertainty (K) : (m/s ²)
GA027G	2.5 m/s ² or less	1.5
GA028G	2.5	1.5
GA029G	3.0	1.5
GA030G	2.5 m/s ² or less	1.5
GA031G	2.5	1.5
GA032G	3.0	1.5

Work mode: disc sanding with anti vibration side grip

Model	Vibration emission ($a_{hr, AG}$) : (m/s ²)	Uncertainty (K) : (m/s ²)
GA027G	2.5 m/s ² or less	1.5
GA028G	2.5	1.5
GA029G	3.0	1.5
GA030G	2.5 m/s ² or less	1.5
GA031G	2.5	1.5
GA032G	3.0	1.5

NOTE: The declared vibration total value(s) has been measured in accordance with a standard test method and may be used for comparing one tool with another.

NOTE: The declared vibration total value(s) may also be used in a preliminary assessment of exposure.

⚠️WARNING: The vibration emission during actual use of the power tool can differ from the declared value(s) depending on the ways in which the tool is used especially what kind of workpiece is processed.

⚠️WARNING: Be sure to identify safety measures to protect the operator that are based on an estimation of exposure in the actual conditions of use (taking account of all parts of the operating cycle such as the times when the tool is switched off and when it is running idle in addition to the trigger time).

⚠️WARNING: The declared vibration emission value is used for main applications of the power tool. However if the power tool is used for other applications, the vibration emission value may be different.

EC Declaration of Conformity

For European countries only

The EC declaration of conformity is included as Annex A to this instruction manual.

SAFETY WARNINGS

General power tool safety warnings

⚠️WARNING: Read all safety warnings, instructions, illustrations and specifications provided with this power tool. Failure to follow all instructions listed below may result in electric shock, fire and/or serious injury.

Save all warnings and instructions for future reference.

The term "power tool" in the warnings refers to your mains-operated (corded) power tool or battery-operated (cordless) power tool.

Cordless grinder safety warnings

Safety Warnings Common for Grinding, Sanding, Wire Brushing, or Abrasive Cutting-Off Operations:

1. **This power tool is intended to function as a grinder, sander, wire brush or cut-off tool.** Read all safety warnings, instructions, illustrations and specifications provided with this power tool. Failure to follow all instructions listed below may result in electric shock, fire and/or serious injury.
2. **Operations such as polishing are not recommended to be performed with this power tool.** Operations for which the power tool was not designed may create a hazard and cause personal injury.
3. **Do not use accessories which are not specifically designed and recommended by the tool manufacturer.** Just because the accessory can be attached to your power tool, it does not assure safe operation.
4. **The rated speed of the accessory must be at least equal to the maximum speed marked on the power tool.** Accessories running faster than their rated speed can break and fly apart.
5. **The outside diameter and the thickness of your accessory must be within the capacity rating of your power tool.** Incorrectly sized accessories cannot be adequately guarded or controlled.

6. **Threaded mounting of accessories must match the grinder spindle thread. For accessories mounted by flanges, the arbour hole of the accessory must fit the locating diameter of the flange.** Accessories that do not match the mounting hardware of the power tool will run out of balance, vibrate excessively and may cause loss of control.
7. **Do not use a damaged accessory. Before each use inspect the accessory such as abrasive wheels for chips and cracks, backing pad for cracks, tear or excess wear, wire brush for loose or cracked wires. If power tool or accessory is dropped, inspect for damage or install an undamaged accessory. After inspecting and installing an accessory, position yourself and bystanders away from the plane of the rotating accessory and run the power tool at maximum no-load speed for one minute.** Damaged accessories will normally break apart during this test time.
8. **Wear personal protective equipment. Depending on application, use face shield, safety goggles or safety glasses. As appropriate, wear dust mask, hearing protectors, gloves and workshop apron capable of stopping small abrasive or workpiece fragments.** The eye protection must be capable of stopping flying debris generated by various operations. The dust mask or respirator must be capable of filtering particles generated by your operation. Prolonged exposure to high intensity noise may cause hearing loss.
9. **Keep bystanders a safe distance away from work area. Anyone entering the work area must wear personal protective equipment.** Fragments of workpiece or of a broken accessory may fly away and cause injury beyond immediate area of operation.
10. **Hold the power tool by insulated gripping surfaces only, when performing an operation where the cutting tool may contact hidden wiring.** Contact with a "live" wire will also make exposed metal parts of the power tool "live" and could give the operator an electric shock.
11. **Never lay the power tool down until the accessory has come to a complete stop.** The spinning accessory may grab the surface and pull the power tool out of your control.
12. **Do not run the power tool while carrying it at your side.** Accidental contact with the spinning accessory could snag your clothing, pulling the accessory into your body.
13. **Regularly clean the power tool's air vents.** The motor's fan will draw the dust inside the housing and excessive accumulation of powdered metal may cause electrical hazards.

14. **Do not operate the power tool near flammable materials.** Sparks could ignite these materials.
15. **Do not use accessories that require liquid coolants.** Using water or other liquid coolants may result in electrocution or shock.

Kickback and Related Warnings

Kickback is a sudden reaction to a pinched or snagged rotating wheel, backing pad, brush or any other accessory. Pinching or snagging causes rapid stalling of the rotating accessory which in turn causes the uncontrolled power tool to be forced in the direction opposite of the accessory's rotation at the point of the binding. For example, if an abrasive wheel is snagged or pinched by the workpiece, the edge of the wheel that is entering into the pinch point can dig into the surface of the material causing the wheel to climb out or kick out. The wheel may either jump toward or away from the operator, depending on direction of the wheel's movement at the point of pinching. Abrasive wheels may also break under these conditions.

Kickback is the result of power tool misuse and/or incorrect operating procedures or conditions and can be avoided by taking proper precautions as given below.

1. **Maintain a firm grip on the power tool and position your body and arm to allow you to resist kickback forces. Always use auxiliary handle, if provided, for maximum control over kickback or torque reaction during start-up.** The operator can control torque reactions or kickback forces, if proper precautions are taken.
2. **Never place your hand near the rotating accessory.** Accessory may kickback over your hand.
3. **Do not position your body in the area where power tool will move if kickback occurs.** Kickback will propel the tool in direction opposite to the wheel's movement at the point of snagging.
4. **Use special care when working corners, sharp edges etc. Avoid bouncing and snagging the accessory.** Corners, sharp edges or bouncing have a tendency to snag the rotating accessory and cause loss of control or kickback.
5. **Do not attach a saw chain woodcarving blade or toothed saw blade.** Such blades create frequent kickback and loss of control.

Safety Warnings Specific for Grinding and Abrasive Cutting-Off Operations:

1. **Use only wheel types that are recommended for your power tool and the specific guard designed for the selected wheel.** Wheels for which the power tool was not designed cannot be adequately guarded and are unsafe.
2. **The grinding surface of centre depressed wheels must be mounted below the plane of the guard lip.** An improperly mounted wheel that projects through the plane of the guard lip cannot be adequately protected.
3. **The guard must be securely attached to the power tool and positioned for maximum safety, so the least amount of wheel is exposed towards the operator.** The guard helps to protect the operator from broken wheel fragments, accidental contact with wheel and sparks that could ignite clothing.

4. **Wheels must be used only for recommended applications.** For example: do not grind with the side of cut-off wheel. Abrasive cut-off wheels are intended for peripheral grinding, side forces applied to these wheels may cause them to shatter.
5. **Always use undamaged wheel flanges that are of correct size and shape for your selected wheel.** Proper wheel flanges support the wheel thus reducing the possibility of wheel breakage. Flanges for cut-off wheels may be different from grinding wheel flanges.
6. **Do not use worn down wheels from larger power tools.** Wheel intended for larger power tool is not suitable for the higher speed of a smaller tool and may burst.

Additional Safety Warnings Specific for Abrasive Cutting-Off Operations:

1. **Do not "jam" the cut-off wheel or apply excessive pressure. Do not attempt to make an excessive depth of cut.** Overstressing the wheel increases the loading and susceptibility to twisting or binding of the wheel in the cut and the possibility of kickback or wheel breakage.
2. **Do not position your body in line with and behind the rotating wheel.** When the wheel, at the point of operation, is moving away from your body, the possible kickback may propel the spinning wheel and the power tool directly at you.
3. **When wheel is binding or when interrupting a cut for any reason, switch off the power tool and hold the power tool motionless until the wheel comes to a complete stop. Never attempt to remove the cut-off wheel from the cut while the wheel is in motion otherwise kickback may occur.** Investigate and take corrective action to eliminate the cause of wheel binding.
4. **Do not restart the cutting operation in the workpiece. Let the wheel reach full speed and carefully re-enter the cut.** The wheel may bind, walk up or kickback if the power tool is restarted in the workpiece.
5. **Support panels or any oversized workpiece to minimize the risk of wheel pinching and kickback.** Large workpieces tend to sag under their own weight. Supports must be placed under the workpiece near the line of cut and near the edge of the workpiece on both sides of the wheel.
6. **Use extra caution when making a "pocket cut" into existing walls or other blind areas.** The protruding wheel may cut gas or water pipes, electrical wiring or objects that can cause kickback.

Safety Warnings Specific for Sanding Operations:

1. **Do not use excessively oversized sanding disc paper. Follow manufacturers recommendations, when selecting sanding paper.** Larger sanding paper extending beyond the sanding pad presents a laceration hazard and may cause snagging, tearing of the disc or kickback.

Safety Warnings Specific for Wire Brushing Operations:

1. **Be aware that wire bristles are thrown by the brush even during ordinary operation. Do not overstress the wires by applying excessive load to the brush.** The wire bristles can easily penetrate light clothing and/or skin.

2. If the use of a guard is recommended for wire brushing, do not allow any interference of the wire wheel or brush with the guard. Wire wheel or brush may expand in diameter due to work load and centrifugal forces.

Additional Safety Warnings:

1. When using depressed centre grinding wheels, be sure to use only fiberglass-reinforced wheels.
2. NEVER USE Stone Cup type wheels with this grinder. This grinder is not designed for these types of wheels and the use of such a product may result in serious personal injury.
3. Be careful not to damage the spindle, the flange (especially the installing surface) or the lock nut. Damage to these parts could result in wheel breakage.
4. Make sure the wheel is not contacting the workpiece before the switch is turned on.
5. Before using the tool on an actual workpiece, let it run for a while. Watch for vibration or wobbling that could indicate poor installation or a poorly balanced wheel.
6. Use the specified surface of the wheel to perform the grinding.
7. Do not leave the tool running. Operate the tool only when hand-held.
8. Do not touch the workpiece immediately after operation; it may be extremely hot and could burn your skin.
9. Do not touch accessories immediately after operation; it may be extremely hot and could burn your skin.
10. Observe the instructions of the manufacturer for correct mounting and use of wheels. Handle and store wheels with care.
11. Do not use separate reducing bushings or adaptors to adapt large hole abrasive wheels.
12. Use only flanges specified for this tool.
13. For tools intended to be fitted with threaded hole wheel, ensure that the thread in the wheel is long enough to accept the spindle length.
14. Check that the workpiece is properly supported.
15. Pay attention that the wheel continues to rotate after the tool is switched off.
16. If working place is extremely hot and humid, or badly polluted by conductive dust, use a short-circuit breaker (30 mA) to assure operator safety.
17. Do not use the tool on any materials containing asbestos.
18. When use cut-off wheel, always work with the dust collecting wheel guard required by domestic regulation.
19. Cutting discs must not be subjected to any lateral pressure.
20. Do not use cloth work gloves during operation. Fibers from cloth gloves may enter the tool, which causes tool breakage.

SAVE THESE INSTRUCTIONS.

⚠ WARNING: DO NOT let comfort or familiarity with product (gained from repeated use) replace strict adherence to safety rules for the subject product. MISUSE or failure to follow the safety rules stated in this instruction manual may cause serious personal injury.

Important safety instructions for battery cartridge

1. Before using battery cartridge, read all instructions and cautionary markings on (1) battery charger, (2) battery, and (3) product using battery.
2. Do not disassemble or tamper the battery cartridge. It may result in a fire, excessive heat, or explosion.
3. If operating time has become excessively shorter, stop operating immediately. It may result in a risk of overheating, possible burns and even an explosion.
4. If electrolyte gets into your eyes, rinse them out with clear water and seek medical attention right away. It may result in loss of your eyesight.
5. Do not short the battery cartridge:
 - (1) Do not touch the terminals with any conductive material.
 - (2) Avoid storing battery cartridge in a container with other metal objects such as nails, coins, etc.
 - (3) Do not expose battery cartridge to water or rain.A battery short can cause a large current flow, overheating, possible burns and even a breakdown.
6. Do not store and use the tool and battery cartridge in locations where the temperature may reach or exceed 50 °C (122 °F).
7. Do not incinerate the battery cartridge even if it is severely damaged or is completely worn out. The battery cartridge can explode in a fire.
8. Do not nail, cut, crush, throw, drop the battery cartridge, or hit against a hard object to the battery cartridge. Such conduct may result in a fire, excessive heat, or explosion.
9. Do not use a damaged battery.
10. The contained lithium-ion batteries are subject to the Dangerous Goods Legislation requirements.

For commercial transports e.g. by third parties, forwarding agents, special requirement on packaging and labeling must be observed.

For preparation of the item being shipped, consulting an expert for hazardous material is required. Please also observe possibly more detailed national regulations.

Tape or mask off open contacts and pack up the battery in such a manner that it cannot move around in the packaging.
11. When disposing the battery cartridge, remove it from the tool and dispose of it in a safe place. Follow your local regulations relating to disposal of battery.

12. Use the batteries only with the products specified by Makita. Installing the batteries to non-compliant products may result in a fire, excessive heat, explosion, or leak of electrolyte.
13. If the tool is not used for a long period of time, the battery must be removed from the tool.
14. During and after use, the battery cartridge may take on heat which can cause burns or low temperature burns. Pay attention to the handling of hot battery cartridges.
15. Do not touch the terminal of the tool immediately after use as it may get hot enough to cause burns.
16. Do not allow chips, dust, or soil stuck into the terminals, holes, and grooves of the battery cartridge. It may result in poor performance or breakdown of the tool or battery cartridge.
17. Unless the tool supports the use near high-voltage electrical power lines, do not use the battery cartridge near a high-voltage electrical power lines. It may result in a malfunction or breakdown of the tool or battery cartridge.
7. Do not operate the wireless unit in places where automated devices are nearby. If operated, automated devices may develop malfunction or error.
8. Do not operate the wireless unit in places under high temperature or places where static electricity or electrical noise could be generated.
9. The wireless unit can produce electromagnetic fields (EMF) but they are not harmful to the user.
10. The wireless unit is an accurate instrument. Be careful not to drop or strike the wireless unit.
11. Avoid touching the terminal of the wireless unit with bare hands or metallic materials.
12. Always remove the battery on the product when installing the wireless unit into it.
13. When opening the lid of the slot, avoid the place where dust and water may come into the slot. Always keep the inlet of the slot clean.
14. Always insert the wireless unit in the correct direction.
15. Do not press the wireless activation button on the wireless unit too hard and/or press the button with an object with a sharp edge.
16. Always close the lid of the slot when operating.
17. Do not remove the wireless unit from the slot while the power is being supplied to the tool. Doing so may cause a malfunction of the wireless unit.
18. Do not remove the sticker on the wireless unit.
19. Do not put any sticker on the wireless unit.
20. Do not leave the wireless unit in a place where static electricity or electrical noise could be generated.
21. Do not leave the wireless unit in a place subject to high heat, such as a car sitting in the sun.
22. Do not leave the wireless unit in a dusty or powdery place or in a place corrosive gas could be generated.
23. Sudden change of the temperature may bedew the wireless unit. Do not use the wireless unit until the dew is completely dried.
24. When cleaning the wireless unit, gently wipe with a dry soft cloth. Do not use benzine, thinner, conductive grease or the like.
25. When storing the wireless unit, keep it in the supplied case or a static-free container.
26. Do not insert any devices other than Makita wireless unit into the slot on the tool.
27. Do not use the tool with the lid of the slot damaged. Water, dust, and dirt come into the slot may cause malfunction.
28. Do not pull and/or twist the lid of the slot more than necessary. Restore the lid if it comes off from the tool.
29. Replace the lid of the slot if it is lost or damaged.

SAVE THESE INSTRUCTIONS.

⚠ CAUTION: Only use genuine Makita batteries. Use of non-genuine Makita batteries, or batteries that have been altered, may result in the battery bursting causing fires, personal injury and damage. It will also void the Makita warranty for the Makita tool and charger.

Tips for maintaining maximum battery life

1. Charge the battery cartridge before completely discharged. Always stop tool operation and charge the battery cartridge when you notice less tool power.
2. Never recharge a fully charged battery cartridge. Overcharging shortens the battery service life.
3. Charge the battery cartridge with room temperature at 10 °C - 40 °C (50 °F - 104 °F). Let a hot battery cartridge cool down before charging it.
4. When not using the battery cartridge, remove it from the tool or the charger.
5. Charge the battery cartridge if you do not use it for a long period (more than six months).

Important safety instructions for wireless unit

1. Do not disassemble or tamper with the wireless unit.
2. Keep the wireless unit away from young children. If accidentally swallowed, seek medical attention immediately.
3. Use the wireless unit only with Makita tools.
4. Do not expose the wireless unit to rain or wet conditions.
5. Do not use the wireless unit in places where the temperature exceeds 50°C (122°F).
6. Do not operate the wireless unit in places where medical instruments, such as heart pace makers are nearby.

SAVE THESE INSTRUCTIONS.

FUNCTIONAL DESCRIPTION

CAUTION: Always be sure that the tool is switched off and the battery cartridge is removed before adjusting or checking function on the tool.

Installing or removing battery cartridge

CAUTION: Always switch off the tool before installing or removing of the battery cartridge.

CAUTION: Hold the tool and the battery cartridge firmly when installing or removing battery cartridge. Failure to hold the tool and the battery cartridge firmly may cause them to slip off your hands and result in damage to the tool and battery cartridge and a personal injury.

► Fig.1: 1. Red indicator 2. Button 3. Battery cartridge

To remove the battery cartridge, slide it from the tool while sliding the button on the front of the cartridge.

To install the battery cartridge, align the tongue on the battery cartridge with the groove in the housing and slip it into place. Insert it all the way until it locks in place with a little click. If you can see the red indicator on the upper side of the button, it is not locked completely.

CAUTION: Always install the battery cartridge fully until the red indicator cannot be seen. If not, it may accidentally fall out of the tool, causing injury to you or someone around you.

CAUTION: Do not install the battery cartridge forcibly. If the cartridge does not slide in easily, it is not being inserted correctly.

Indicating the remaining battery capacity

Press the check button on the battery cartridge to indicate the remaining battery capacity. The indicator lamps light up for a few seconds.

► Fig.2: 1. Indicator lamps 2. Check button

Indicator lamps			Remaining capacity
Lighted	Off	Blinking	
■	□	▧	75% to 100%
■ ■ ■ ■			
■ ■ ■ □			50% to 75%
■ ■ □ □			25% to 50%
■ □ □ □			0% to 25%
▧ □ □ □			Charge the battery.
■ ■ □ □			The battery may have malfunctioned.
□ □ ■ ■			

NOTE: Depending on the conditions of use and the ambient temperature, the indication may differ slightly from the actual capacity.

Tool / battery protection system

The tool is equipped with a tool/battery protection system. This system automatically cuts off power to the motor to extend tool and battery life. The tool will automatically stop during operation if the tool or battery is placed under one of the following conditions:

Overload protection

When the tool/battery is operated in a manner that causes it to draw an abnormally high current, the tool automatically stops without any indication. In this situation, turn the tool off and stop the application that caused the tool to become overloaded. Then turn the tool on to restart.

Overheat protection

When the tool/battery is overheated, the tool stops automatically. Let the tool cool down before turning the tool on again.

Overdischarge protection

When the battery capacity is not enough, the tool stops automatically. In this case, remove the battery from the tool and charge the battery.

Releasing protection lock

When the protection system works repeatedly, the tool is locked. In this situation, the tool does not start even if turning the tool off and on. To release the protection lock, remove the battery, set it to the battery charger and wait until the charging finishes.

Shaft lock

Press the shaft lock to prevent spindle rotation when installing or removing accessories.

► Fig.3: 1. Shaft lock

NOTICE: Never actuate the shaft lock when the spindle is moving. The tool may be damaged.

Switch action

CAUTION: Before installing the battery cartridge into the tool, always check to see that the switch lever actuates properly and returns to the "OFF" position when released.

CAUTION: For your safety, this tool is equipped with lock-off lever which prevents the tool from unintended starting. NEVER use the tool if it runs when you simply pull the switch lever without pulling the lock-off lever. Return the tool to our authorized service center for proper repairs BEFORE further usage.

CAUTION: Do not pull the switch lever hard without pulling the lock-off lever. This can cause switch breakage.

CAUTION: NEVER tape down or defeat purpose and function of lock-off lever.

► Fig.4: 1. Lock-off lever 2. Switch lever

To prevent the switch lever from being accidentally pulled, a lock-off lever is provided.

To start the tool, pull the lock-off lever toward the operator and then pull the switch lever.

To stop the tool, release the switch lever.

Speed adjusting dial

The rotation speed of the tool can be changed by turning the speed adjusting dial. The table below shows the number on the dial and the corresponding rotation speed.

► Fig.5: 1. Speed adjusting dial

Number	Speed
1	3,000 min ⁻¹
2	4,500 min ⁻¹
3	6,000 min ⁻¹
4	7,500 min ⁻¹
5	8,500 min ⁻¹

NOTICE: If the tool is operated continuously at low speed for a long time, the motor will get overloaded, resulting in tool malfunction.

NOTICE: When changing the speed dial from "5" to "1", turn the dial counterclockwise. Do not turn the dial clockwise forcibly.

Accidental re-start preventive function

When installing the battery cartridge while pulling the switch lever, the tool does not start.

To start the tool, first release the switch lever. Then pull the lock-off lever, and pull the switch lever.

Electronic torque control function

The tool electronically detects situations where the wheel or accessory may be at risk to be bound. In the situation, the tool is automatically shut off to prevent further rotation of the spindle (it does not prevent kickback).

To restart the tool, switch off the tool first, remove the cause of sudden drop in the rotation speed, and then turn the tool on.

Soft start feature

Soft start feature reduces starting reaction.

Electric brake

Only for model GA027G / GA028G / GA029G

Electric brake is activated after the tool is switched off. The brake does not work when the power supply is shut down, such as the battery is removed accidentally, with the switch still on.

ASSEMBLY

CAUTION: Always be sure that the tool is switched off and the battery cartridge is removed before adjusting or checking function on the tool.

Installing side grip (handle)

CAUTION: Always be sure that the side grip is installed securely before operation.

Screw the side grip securely on the position of the tool as shown in the figure.

► Fig.6

Installing or removing wheel guard

WARNING: When using a depressed center wheel, flap disc, flex wheel or wire wheel brush, the wheel guard must be fitted on the tool so that the closed side of the guard always points toward the operator.

WARNING: Make sure that the wheel guard is securely locked by the lock lever with one of the holes on the wheel guard.

WARNING: When using an abrasive cut-off / diamond wheel, be sure to use only the special wheel guard designed for use with cut-off wheels.

(In some European countries, when using a diamond wheel, the ordinary guard can be used. Follow the regulations in your country.)

For depressed center wheel, flap disc, flex wheel, wire wheel brush / abrasive cut-off wheel, diamond wheel

1. While pushing the lock lever, mount the wheel guard with the protrusions on the wheel guard aligned with the notches on the bearing box.

► Fig.7: 1. Lock lever 2. Notch 3. Protrusion

2. While pushing the lock lever toward A, push in the wheel guard by holding down the portions B as shown in the figure.

► Fig.8: 1. Wheel guard 2. Hole

NOTE: Push down the wheel guard straight. Otherwise, you cannot push the wheel guard completely.

3. While keeping the lock lever and wheel guard position as described in step 2, rotate the wheel guard toward C, and then, change the angle of the wheel guard according to the work.

► Fig.9: 1. Wheel guard 2. Hole

NOTE: Push the wheel guard completely. Otherwise, you cannot rotate the wheel guard.

To remove wheel guard, follow the installation procedure in reverse.

Installing or removing depressed center wheel or flap disc

Optional accessory

⚠ WARNING: When using a depressed center wheel or flap disc, the wheel guard must be fitted on the tool so that the closed side of the guard always points toward the operator.

⚠ CAUTION: Make sure that the mounting part of the inner flange fits into the inner diameter of the depressed center wheel / flap disc perfectly. Mounting the inner flange on the wrong side may result in the dangerous vibration.

Mount the inner flange onto the spindle. Make sure to fit the dented part of the inner flange onto the straight part at the bottom of the spindle. Fit the depressed center wheel / flap disc on the inner flange and screw the lock nut onto the spindle.

► **Fig.10:** 1. Lock nut 2. Depressed center wheel 3. Inner flange 4. Mounting part

To tighten the lock nut, press the shaft lock firmly so that the spindle cannot revolve, then use the lock nut wrench and securely tighten clockwise.

► **Fig.11:** 1. Lock nut wrench 2. Shaft lock

To remove the wheel, follow the installation procedure in reverse.

Installing or removing flex wheel

Optional accessory

⚠ WARNING: Always use supplied guard when flex wheel is on tool. Wheel can shatter during use and guard helps to reduce chances of personal injury.

► **Fig.12:** 1. Lock nut 2. Flex wheel 3. Back up pad 4. Inner flange

Follow instructions for depressed center wheel but also use back up pad over wheel. See order of assembly on accessories page in this manual.

Installing or removing abrasive disc

Optional accessory

NOTE: Use sander accessories specified in this manual. These must be purchased separately.

For 100 mm (4") model

► **Fig.13:** 1. Sanding lock nut 2. Abrasive disc 3. Rubber pad 4. Inner flange

1. Mount the inner flange onto the spindle.
2. Mount the rubber pad onto the spindle.
3. Fit the disc on the rubber pad and screw the sanding lock nut onto the spindle.
4. Hold the spindle with the shaft lock, and securely tighten the sanding lock nut clockwise with the lock nut wrench.

To remove the disc, follow the installation procedure in reverse.

For 115 mm (4 - 1/2") / 125 mm (5") model

► **Fig.14:** 1. Sanding lock nut 2. Abrasive disc 3. Rubber pad

1. Mount the rubber pad onto the spindle.
2. Fit the disc on the rubber pad and screw the sanding lock nut onto the spindle.
3. Hold the spindle with the shaft lock, and securely tighten the sanding lock nut clockwise with the lock nut wrench.

To remove the disc, follow the installation procedure in reverse.

Installing or removing Ezynut

Optional accessory

⚠ CAUTION: Do not use Ezynut with Super Flange or angle grinder with "F" on the end of the model No. Those flanges are so thick that the entire thread cannot be retained by the spindle.

► **Fig.15:** 1. Ezynut 2. Abrasive wheel 3. Inner flange 4. Spindle

Mount inner flange, abrasive wheel and Ezynut onto the spindle so that Makita Logo on Ezynut faces outside.

► **Fig.16:** 1. Shaft lock

Press shaft lock firmly and tighten Ezynut by turning the abrasive wheel clockwise as far as it turns. Turn the outside ring of Ezynut counterclockwise to loosen.

► **Fig.17:** 1. Arrow 2. Notch

► **Fig.18**

NOTE: Ezynut can be loosened by hand as long as the arrow points the notch. Otherwise a lock nut wrench is required to loosen it. Insert one pin of the wrench into a hole and turn Ezynut counterclockwise.

Installing abrasive cut-off / diamond wheel

Optional accessory

⚠ WARNING: When using an abrasive cut-off / diamond wheel, be sure to use only the special wheel guard designed for use with cut-off wheels.

(In some European countries, when using a diamond wheel, the ordinary guard can be used. Follow the regulations in your country.)

⚠ WARNING: NEVER use cut-off wheel for side grinding.

► **Fig.19:** 1. Lock nut 2. Abrasive cut-off wheel / diamond wheel 3. Inner flange 4. Wheel guard for abrasive cut-off wheel / diamond wheel

As for the installation, follow the instructions for depressed center wheel.

The direction for mounting the lock nut and the inner flange varies by wheel type and thickness. Refer to the following figures.

For 100 mm (4") model

When installing the abrasive cut-off wheel:

- **Fig.20:** 1. Lock nut 2. Abrasive cut-off wheel (Thinner than 4 mm (5/32")) 3. Abrasive cut-off wheel (4 mm (5/32") or thicker) 4. Inner flange

When installing the diamond wheel:

- **Fig.21:** 1. Lock nut 2. Diamond wheel (Thinner than 4 mm (5/32")) 3. Diamond wheel (4 mm (5/32") or thicker) 4. Inner flange

For 115 mm (4 - 1/2") / 125 mm (5") model

When installing the abrasive cut-off wheel:

- **Fig.22:** 1. Lock nut 2. Abrasive cut-off wheel (Thinner than 4 mm (5/32")) 3. Abrasive cut-off wheel (4 mm (5/32") or thicker) 4. Inner flange

When installing the diamond wheel:

- **Fig.23:** 1. Lock nut 2. Diamond wheel (Thinner than 4 mm (5/32")) 3. Diamond wheel (4 mm (5/32") or thicker) 4. Inner flange

Installing wire cup brush

Optional accessory

CAUTION: Do not use brush that is damaged, or which is out of balance. Use of damaged brush could increase potential for injury from contact with broken brush wires.

- **Fig.24:** 1. Wire cup brush

Remove the battery cartridge from the tool and place it upside down allowing easy access to spindle.

Remove any accessories on spindle. Thread wire cup brush onto spindle and tighten with supplied wrench.

Installing wire wheel brush

Optional accessory

CAUTION: Do not use wire wheel brush that is damaged, or which is out of balance. Use of damaged wire wheel brush could increase potential for injury from contact with broken wires.

CAUTION: ALWAYS use guard with wire wheel brushes, assuring diameter of wheel fits inside guard. Wheel can shatter during use and guard helps to reduce chances of personal injury.

- **Fig.25:** 1. Wire wheel brush

Remove the battery cartridge from the tool and place it upside down allowing easy access to spindle.

Remove any accessories on spindle. Thread wire wheel brush onto spindle and tighten with the wrenches.

Connecting a vacuum cleaner

Optional accessory

WARNING: Never vacuum metal particles created by grinding/cutting/sanding operation. Metal particles created by such operation are so hot that they ignite dust and the filter inside the vacuum cleaner.

To avoid dusty environment caused by masonry cutting, use a dust collecting wheel guard and a vacuum cleaner. Refer to the instruction manual attached to the dust collecting wheel guard for assembling and using it.

- **Fig.26:** 1. Dust collecting wheel guard 2. Hose of the vacuum cleaner

OPERATION

WARNING: It should never be necessary to force the tool. The weight of the tool applies adequate pressure. Forcing and excessive pressure could cause dangerous wheel breakage.

WARNING: ALWAYS replace wheel if tool is dropped while grinding.

WARNING: NEVER bang or hit grinding disc or wheel onto work.

WARNING: Avoid bouncing and snagging the wheel, especially when working corners, sharp edges etc. This can cause loss of control and kickback.

WARNING: NEVER use tool with wood cutting blades and other saw blades. Such blades when used on a grinder frequently kick and cause loss of control leading to personal injury.

CAUTION: Never switch on the tool when it is in contact with the workpiece, it may cause an injury to operator.

CAUTION: Always wear safety goggles or a face shield during operation.

CAUTION: After operation, always switch off the tool and wait until the wheel has come to a complete stop before putting the tool down.

CAUTION: ALWAYS hold the tool firmly with one hand on housing and the other on the side grip (handle).

Grinding and sanding operation

- **Fig.27**

Turn the tool on and then apply the wheel or disc to the workpiece.

In general, keep the edge of the wheel or disc at an angle of about 15° to the workpiece surface.

During the break-in period with a new wheel, do not work the grinder in forward direction or it may cut into the workpiece. Once the edge of the wheel has been rounded off by use, the wheel may be worked in both forward and backward direction.

Operation with abrasive cut-off / diamond wheel

Optional accessory

⚠ WARNING: Do not "jam" the wheel or apply excessive pressure. Do not attempt to make an excessive depth of cut. Overstressing the wheel increases the loading and susceptibility to twisting or binding of the wheel in the cut and the possibility of kickback, wheel breakage and overheating of the motor may occur.

⚠ WARNING: Do not start the cutting operation in the workpiece. Let the wheel reach full speed and carefully enter into the cut moving the tool forward over the workpiece surface. The wheel may bind, walk up or kickback if the power tool is started in the workpiece.

⚠ WARNING: During cutting operations, never change the angle of the wheel. Placing side pressure on the cut-off wheel (as in grinding) will cause the wheel to crack and break, causing serious personal injury.

⚠ WARNING: A diamond wheel shall be operated perpendicular to the material being cut.

Usage example: operation with abrasive cut-off wheel

► Fig.28

Usage example: operation with diamond wheel

► Fig.29

Operation with wire cup brush

Optional accessory

⚠ CAUTION: Check operation of brush by running tool with no load, insuring that no one is in front of or in line with brush.

NOTICE: Avoid applying too much pressure which causes over bending of wires when using the wire cup brush. It may lead to premature breakage.

Usage example: operation with wire cup brush

► Fig.30

Operation with wire wheel brush

Optional accessory

⚠ CAUTION: Check operation of wire wheel brush by running tool with no load, insuring that no one is in front of or in line with the wire wheel brush.

NOTICE: Avoid applying too much pressure which causes over bending of wires when using wire wheel brush. It may lead to premature breakage.

Usage example: operation with wire wheel brush

► Fig.31

WIRELESS ACTIVATION FUNCTION

What you can do with the wireless activation function

The wireless activation function enables clean and comfortable operation. By connecting a supported vacuum cleaner to the tool, you can run the vacuum cleaner automatically along with the switch operation of the tool.

► Fig.32

To use the wireless activation function, prepare following items:

- A wireless unit (optional accessory)
- A vacuum cleaner which supports the wireless activation function

The overview of the wireless activation function setting is as follows. Refer to each section for detail procedures.

1. Installing the wireless unit
2. Tool registration for the vacuum cleaner
3. Starting the wireless activation function

Installing the wireless unit

Optional accessory

⚠ CAUTION: Place the tool on a flat and stable surface when installing the wireless unit.

NOTICE: Clean the dust and dirt on the tool before installing the wireless unit. Dust or dirt may cause malfunction if it comes into the slot of the wireless unit.

NOTICE: To prevent the malfunction caused by static, touch a static discharging material, such as a metal part of the tool, before picking up the wireless unit.

NOTICE: When installing the wireless unit, always be sure that the wireless unit is inserted in the correct direction and the lid is completely closed.

1. Open the lid on the tool as shown in the figure.

► Fig.33: 1. Lid

2. Insert the wireless unit to the slot and then close the lid.

When inserting the wireless unit, align the projections with the recessed portions on the slot.

► Fig.34: 1. Wireless unit 2. Projection 3. Lid 4. Recessed portion

When removing the wireless unit, open the lid slowly.

The hooks on the back of the lid will lift the wireless unit as you pull up the lid.

► Fig.35: 1. Wireless unit 2. Hook 3. Lid

After removing the wireless unit, keep it in the supplied case or a static-free container.

NOTICE: Always use the hooks on the back of the lid when removing the wireless unit. If the hooks do not catch the wireless unit, close the lid completely and open it slowly again.

Tool registration for the vacuum cleaner

NOTE: A Makita vacuum cleaner supporting the wireless activation function is required for the tool registration.

NOTE: Finish installing the wireless unit to the tool before starting the tool registration.

NOTE: During the tool registration, do not pull the switch trigger or turn on the power switch on the vacuum cleaner.

NOTE: Refer to the instruction manual of the vacuum cleaner, too.

If you wish to activate the vacuum cleaner along with the switch operation of the tool, finish the tool registration beforehand.

1. Install the batteries to the vacuum cleaner and the tool.
2. Set the stand-by switch on the vacuum cleaner to "AUTO".

► **Fig.36:** 1. Stand-by switch

3. Press the wireless activation button on the vacuum cleaner for 3 seconds until the wireless activation lamp blinks in green. And then press the wireless activation button on the tool in the same way.

► **Fig.37:** 1. Wireless activation button 2. Wireless activation lamp

If the vacuum cleaner and the tool are linked successfully, the wireless activation lamps will light up in green for 2 seconds and start blinking in blue.

NOTE: The wireless activation lamps finish blinking in green after 20 seconds elapsed. Press the wireless activation button on the tool while the wireless activation lamp on the cleaner is blinking. If the wireless activation lamp does not blink in green, push the wireless activation button briefly and hold it down again.

NOTE: When performing two or more tool registrations for one vacuum cleaner, finish the tool registration one by one.

Starting the wireless activation function

NOTE: Finish the tool registration for the vacuum cleaner prior to the wireless activation.

NOTE: Refer to the instruction manual of the vacuum cleaner, too.

After registering a tool to the vacuum cleaner, the vacuum cleaner will automatically runs along with the switch operation of the tool.

1. Install the wireless unit to the tool.
2. Connect the hose of the vacuum cleaner with the tool.

► **Fig.38**

3. Set the stand-by switch on the vacuum cleaner to "AUTO".

► **Fig.39:** 1. Stand-by switch

4. Push the wireless activation button on the tool briefly. The wireless activation lamp will blink in blue.

► **Fig.40:** 1. Wireless activation button 2. Wireless activation lamp

5. Pull the switch trigger of the tool. Check if the vacuum cleaner runs while the switch trigger is being pulled.

To stop the wireless activation of the vacuum cleaner, push the wireless activation button on the tool.

NOTE: The wireless activation lamp on the tool will stop blinking in blue when there is no operation for 2 hours. In this case, set the stand-by switch on the vacuum cleaner to "AUTO" and push the wireless activation button on the tool again.

NOTE: The vacuum cleaner starts/stops with a delay. There is a time lag when the vacuum cleaner detects a switch operation of the tool.

NOTE: The transmission distance of the wireless unit may vary depending on the location and surrounding circumstances.

NOTE: When two or more tools are registered to one vacuum cleaner, the vacuum cleaner may start running even if you do not pull the switch trigger because another user is using the wireless activation function.

Description of the wireless activation lamp status

► Fig.41: 1. Wireless activation lamp

The wireless activation lamp shows the status of the wireless activation function. Refer to the table below for the meaning of the lamp status.

Status	Wireless activation lamp			Description
	Color	<input type="checkbox"/> On <input type="checkbox"/> Blinking	Duration	
Standby	Blue	<input type="checkbox"/>	2 hours	The wireless activation of the vacuum cleaner is available. The lamp will automatically turn off when no operation is performed for 2 hours.
		<input type="checkbox"/>	When the tool is running.	The wireless activation of the vacuum cleaner is available and the tool is running.
Tool registration	Green	<input type="checkbox"/>	20 seconds	Ready for the tool registration. Waiting for the registration by the vacuum cleaner.
		<input type="checkbox"/>	2 seconds	The tool registration has been finished. The wireless activation lamp will start blinking in blue.
Cancelling tool registration	Red	<input type="checkbox"/>	20 seconds	Ready for the cancellation of the tool registration. Waiting for the cancellation by the vacuum cleaner.
		<input type="checkbox"/>	2 seconds	The cancellation of the tool registration has been finished. The wireless activation lamp will start blinking in blue.
Others	Red	<input type="checkbox"/>	3 seconds	The power is supplied to the wireless unit and the wireless activation function is starting up.
	Off	-	-	The wireless activation of the vacuum cleaner is stopped.

Cancelling tool registration for the vacuum cleaner

Perform the following procedure when cancelling the tool registration for the vacuum cleaner.

1. Install the batteries to the vacuum cleaner and the tool.
2. Set the stand-by switch on the vacuum cleaner to "AUTO".

► Fig.42: 1. Stand-by switch

3. Press the wireless activation button on the vacuum cleaner for 6 seconds. The wireless activation lamp blinks in green and then become red. After that, press the wireless activation button on the tool in the same way.

► Fig.43: 1. Wireless activation button 2. Wireless activation lamp

If the cancellation is performed successfully, the wireless activation lamps will light up in red for 2 seconds and start blinking in blue.

NOTE: The wireless activation lamps finish blinking in red after 20 seconds elapsed. Press the wireless activation button on the tool while the wireless activation lamp on the cleaner is blinking. If the wireless activation lamp does not blink in red, push the wireless activation button briefly and hold it down again.

Troubleshooting for wireless activation function

Before asking for repairs, conduct your own inspection first. If you find a problem that is not explained in the manual, do not attempt to dismantle the tool. Instead, ask Makita Authorized Service Centers, always using Makita replacement parts for repairs.

State of abnormality	Probable cause (malfunction)	Remedy
The wireless activation lamp does not light/blink.	The wireless unit is not installed into the tool. The wireless unit is improperly installed into the tool.	Install the wireless unit correctly.
	The terminal of the wireless unit and/or the slot is dirty.	Gently wipe off dust and dirt on the terminal of the wireless unit and clean the slot.
	The wireless activation button on the tool has not been pushed.	Push the wireless activation button on the tool briefly.
	The stand-by switch on the vacuum cleaner is not set to "AUTO".	Set the stand-by switch on the vacuum cleaner to "AUTO".
	No power supply	Supply the power to the tool and the vacuum cleaner.
Cannot finish tool registration / cancelling tool registration successfully.	The wireless unit is not installed into the tool. The wireless unit is improperly installed into the tool.	Install the wireless unit correctly.
	The terminal of the wireless unit and/or the slot is dirty.	Gently wipe off dust and dirt on the terminal of the wireless unit and clean the slot.
	The stand-by switch on the vacuum cleaner is not set to "AUTO".	Set the stand-by switch on the vacuum cleaner to "AUTO".
	No power supply	Supply the power to the tool and the vacuum cleaner.
	Incorrect operation	Push the wireless activation button briefly and perform the tool registration/cancellation procedures again.
	The tool and vacuum cleaner are away from each other (out of the transmission range).	Get the tool and vacuum cleaner closer to each other. The maximum transmission distance is approximately 10 m however it may vary according to the circumstances.
	Before finishing the tool registration/cancellation; - the switch trigger on the tool is pulled or; - the power button on the vacuum cleaner is turned on.	Push the wireless activation button briefly and perform the tool registration/cancellation procedures again.
	The tool registration procedures for the tool or vacuum cleaner have not finished.	Perform the tool registration procedures for both the tool and the vacuum cleaner at the same timing.
	Radio disturbance by other appliances which generate high-intensity radio waves.	Keep the tool and vacuum cleaner away from the appliances such as Wi-Fi devices and microwave ovens.
The vacuum cleaner does not run along with the switch operation of the tool.	The wireless unit is not installed into the tool. The wireless unit is improperly installed into the tool.	Install the wireless unit correctly.
	The terminal of the wireless unit and/or the slot is dirty.	Gently wipe off dust and dirt on the terminal of the wireless unit and clean the slot.
	The wireless activation button on the tool has not been pushed.	Push the wireless activation button briefly and make sure that the wireless activation lamp is blinking in blue.
	The stand-by switch on the vacuum cleaner is not set to "AUTO".	Set the stand-by switch on the vacuum cleaner to "AUTO".
	More than 10 tools are registered to the vacuum cleaner.	Perform the tool registration again. If more than 10 tools are registered to the vacuum cleaner, the tool registered earliest will be cancelled automatically.
	The vacuum cleaner erased all tool registrations.	Perform the tool registration again.
	No power supply	Supply the power to the tool and the vacuum cleaner.
	The tool and vacuum cleaner are away from each other (out of the transmission range).	Get the tool and vacuum cleaner closer each other. The maximum transmission distance is approximately 10 m however it may vary according to the circumstances.
	Radio disturbance by other appliances which generate high-intensity radio waves.	Keep the tool and vacuum cleaner away from the appliances such as Wi-Fi devices and microwave ovens.
The vacuum cleaner runs while the tool's switch trigger is not pulled.	Other users are using the wireless activation of the vacuum cleaner with their tools.	Turn off the wireless activation button of the other tools or cancel the tool registration of the other tools.

MAINTENANCE

CAUTION: Always be sure that the tool is switched off and the battery cartridge is removed before attempting to perform inspection or maintenance.

NOTICE: Never use gasoline, benzine, thinner, alcohol or the like. Discoloration, deformation or cracks may result.

To maintain product SAFETY and RELIABILITY, repairs, any other maintenance or adjustment should be performed by Makita Authorized Service Centers, always using Makita replacement parts.

Air vent cleaning

The tool and its air vents have to be kept clean. Regularly clean the tool's air vents or whenever the vents start to become obstructed.

► **Fig.44:** 1. Exhaust vent 2. Inhalation vent

Remove the dust cover from inhalation vent and clean it for smooth air circulation.

► **Fig.45:** 1. Dust cover

NOTICE: Clean out the dust cover when it is clogged with dust or foreign matters. Continuing operation with a clogged dust cover may damage the tool.

OPTIONAL ACCESSORIES

CAUTION: These accessories or attachments are recommended for use with your Makita tool specified in this manual. The use of any other accessories or attachments might present a risk of injury to persons. Only use accessory or attachment for its stated purpose.

If you need any assistance for more details regarding these accessories, ask your local Makita Service Center.

- Makita genuine battery and charger

► **Fig.46**

-	100 mm (4") model	115 mm (4-1/2") model	125 mm (5") model
1	Grip 36		
2	Wheel Guard (for grinding wheel)		
3	Inner flange		
4	Depressed center wheel / Flap disc		
5	Lock nut		
6	Back up pad		
7	Flex wheel		
8	Inner flange and rubber pad 76	Rubber pad 100	Rubber pad 115
9	Abrasive disc		
10	Sanding lock nut		
11	Wire wheel brush		
12	Wire cup brush		
13	Wheel Guard (for cut-off wheel) *1		
14	Abrasive cut-off wheel / Diamond wheel		
15	Dust collecting wheel guard		
-	Lock nut wrench		

NOTE: *1 In some European countries, when using a diamond wheel, the ordinary guard can be used instead of the special guard covering the both side of the wheel. Follow the regulations in your country.

NOTE: Some items in the list may be included in the tool package as standard accessories. They may differ from country to country.

SPECIFIKATIONER

Modell:	GA027G	GA028G	GA029G	GA030G	GA031G	GA032G
Kapskivans diameter	100 mm (4")	115 mm (4-1/2")	125 mm (5")	100mm (4")	115 mm (4-1/2")	125 mm (5")
Max. skivtjocklek	6,4 mm	7,2 mm		6,4 mm	7,2 mm	
Spindelgänga	M10	M14 eller 5/8" (landsspecifikt)		M10	M14 eller 5/8" (landsspecifikt)	
Nominellt varvtal (n)	8 500 min ⁻¹					
Total längd	med BL4025		413 mm			
	med BL4040		425 mm			
Nettovikt	2,9 - 3,4 kg	3,0 - 3,6 kg	3,0 - 4,5 kg	2,8 - 3,4 kg	2,9 - 3,6 kg	3,0 - 4,4 kg
Märkspänning	36 V - 40 V likström max					

- På grund av vårt pågående program för forskning och utveckling kan dessa specifikationer ändras utan föregående meddelande.
- Specifikationer kan variera mellan olika länder.
- Vikten kan variera beroende på tillbehören, inklusive batterikassett. Den lättaste och den tyngsta kombinationen enligt EPTA-procedur 01/2014 visas i tabellen.

Tillgänglig batterikassett och laddare

Batterikassett	BL4025/BL4040
Laddare	DC40RA

- Vissa av batterikassetterna och laddarna på listan ovan kanske inte finns tillgängliga i din region.

⚠ VARNING: Använd endast batterikassetter och laddare från listan ovan. Användning av andra batterikassetter och laddare kan orsaka personskada och/eller brand.

Avsedd användning

Verktyget är avsett för slipning och kapning i trä och stenmaterial utan användning av vatten.

Buller

Den normala bullernivån för A-belastning är bestämd enligt EN60745-2-3:

Modell	Ljudtrycksnivå (L _{PA}): (dB(A))	Ljudeffektnivå (L _{WA}): (dB(A))	Mättolerans (K): (dB(A))
GA027G	81	92	3
GA028G	81	92	3
GA029G	82	93	3
GA030G	81	92	3
GA031G	81	92	3
GA032G	82	93	3

OBS: Det deklarerade bullervärdet har uppmätts i enlighet med standardtestmetoden och kan användas för jämförandet av en maskin med en annan.

OBS: Det deklarerade bulleremissionsvärdet kan också användas i en preliminär bedömning av exponering för vibration.

⚠ VARNING: Använd hörselskydd.

⚠ VARNING: Bulleremissionen under faktisk användning av maskinen kan skilja sig från det deklarerade värdet, beroende på hur maskinen används och särskilt vilken typ av arbetsstycke som behandlas.

⚠ VARNING: Var noga med att identifiera säkerhetsåtgärder för att skydda användaren, vilka är grundade på en uppskattning av graden av exponering för vibrationer under de faktiska användningsförhållandena, (ta, förutom avtryckartiden, med alla delar av användarcykeln i beräkningen, som till exempel tiden då maskinen är avstängd och när den går på tomgång).

Vibration

Det totala vibrationsvärdet (treaxlad vektorsumma) bestämt enligt EN60745-2-3:

Arbetsläge: planslipning med normalt sidohandtag

Modell	Vibrationsemission ($a_{h, AG}$): (m/s^2)	Måttolerans (K): (m/s^2)
GA027G	4,5	1,5
GA028G	5,0	1,5
GA029G	6,0	1,5
GA030G	4,5	1,5
GA031G	5,0	1,5
GA032G	6,0	1,5

Arbetsläge: planslipning med anti-vibrationssidohandtag

Modell	Vibrationsemission ($a_{h, AG}$): (m/s^2)	Måttolerans (K): (m/s^2)
GA027G	4,5	1,5
GA028G	5,0	1,5
GA029G	6,5	1,5
GA030G	4,5	1,5
GA031G	5,0	1,5
GA032G	6,5	1,5

Arbetsläge: skivslipning med normalt sidohandtag

Modell	Vibrationsemission ($a_{h, AG}$): (m/s^2)	Måttolerans (K): (m/s^2)
GA027G	2,5 m/s^2 eller lägre	1,5
GA028G	2,5	1,5
GA029G	3,0	1,5
GA030G	2,5 m/s^2 eller lägre	1,5
GA031G	2,5	1,5
GA032G	3,0	1,5

Arbetsläge: skivslipning med anti-vibrationssidohandtag

Modell	Vibrationsemission ($a_{h, AG}$): (m/s^2)	Måttolerans (K): (m/s^2)
GA027G	2,5 m/s^2 eller lägre	1,5
GA028G	2,5	1,5
GA029G	3,0	1,5
GA030G	2,5 m/s^2 eller lägre	1,5
GA031G	2,5	1,5
GA032G	3,0	1,5

OBS: Det deklarerade totala vibrationsvärdet har uppmätts i enlighet med standardtestmetoden och kan användas för jämförandet av en maskin med en annan.

OBS: Det deklarerade totala vibrationsvärdet kan också användas i en preliminär bedömning av exponering för vibration.

⚠ VARNING: Vibrationsemissionen under faktisk användning av maskinen kan skilja sig från den deklarerade värdet, beroende på hur maskinen används och särskilt vilken typ av arbetsstycke som behandlas.

⚠ VARNING: Var noga med att identifiera säkerhetsåtgärder för att skydda användaren, vilka är grundade på en uppskattning av graden av exponering för vibrationer under de faktiska användningsförhållandena, (ta, förutom avtryckartiden, med alla delar av användarcykeln i beräkningen, som till exempel tiden då maskinen är avstängd och när den går på tomgång).

⚠ VARNING: Det deklarerade vibrationsemissionsvärdet används för maskinens huvudsakliga arbetsuppgifter. Om maskinen används för andra arbetsuppgifter kan däremot vibrationsemissionsvärdet bli annorlunda.

EG-försäkran om överensstämmelse

Gäller endast inom EU

EG-försäkran om överensstämmelse inkluderas som bilaga A till denna bruksanvisning.

SÄKERHETSVARNINGAR

Allmänna säkerhetsvarningar för maskiner

⚠ VARNING: Läs alla säkerhetsvarningar, anvisningar, illustrationer och specifikationer som medföljer det här maskinen. Underlåtenhet att följa instruktionerna kan leda till elstötar, brand och/eller allvarliga personskador.

Spara alla varningar och instruktioner för framtida referens.

Termen "maskin" som anges i varningarna hänvisar till din eldrivna maskin (sladdansluten) eller batteridrivna maskin (sladdlös).

Säkerhetsvarningar för batteridrivna slipmaskin

Säkerhetsvarningar för slipning, stålborstning eller abrasiv skärning:

1. Den här maskinen är utformad för att användas för slipning, stålborstning eller som skärverktyg. Läs alla säkerhetsvarningar, anvisningar, illustrationer och specifikationer som medföljer den här maskinen. Underlåtenhet att följa instruktionerna kan leda till elstötar, brand och/eller allvarliga personskador.
2. Den här maskinen rekommenderas inte för poleringsarbeten. Om maskinen används till andra arbeten än de avsedda, kan det orsaka fara och personskada.
3. Använd inte tillbehör som inte är särskilt tillverkade och rekommenderade av maskinens tillverkare. Även om ett tillbehör kan fästas på maskinen garanterar detta inte säker funktion.
4. Tillbehörets nominella varvtal måste vara minst lika med det maximala varvtalet som anges på verktyget. Tillbehör som används över det nominella varvtalet kan gå sönder och orsaka skador.
5. Tillbehörets ytterdiameter och tjocklek måste vara anpassad till elverktygets kapacitetsklassning. Tillbehör i olämplig storlek kan inte skyddas eller styras tillräckligt väl.

6. Gångorna på tillbehör som monteras måste stämma överens med spindelgångarna på slipmaskinen. För tillbehör som monteras med flänsar måste tillbehörets centrumhål passa i flänsens lokaliseringsdiameter. Tillbehör som inte passar exakt på maskinens monteringsbeslag roterar ojämnt, vibrerar kraftigt och kan leda till att du förlorar kontrollen.
7. Använd inte ett skadat tillbehör. Kontrollera tillbehör som sliprondeller efter hack och sprickor, underlagsplattor efter sprickor, slitage och stålborstar efter lösa eller brutna trådar. Om du tappar maskinen eller ett tillbehör ska du kontrollera att det inte har uppstått några skador, eller så ska tillbehöret bytas ut mot ett oskadat. Efter kontroll och montering av tillbehöret ska du och åskådare hålla er borta från det roterande tillbehöret samtidigt som du kör maskinen på full fart utan last i en minut. Skadade tillbehör går normalt sönder under den här testtiden.
8. Använd personlig skyddsutrustning. Använd visir, korgglasögon eller skyddsglasögon beroende på arbetsuppgift. Använd vid behov dammskydd, hörselskydd, handskar och skyddsförkläde som stoppar små bitar slipmaterial eller fragment från arbetsstycket. Ögonskyddet måste kunna stoppa flygande fragment som uppstår vid olika arbeten. Dammskyddet eller andningsskyddet måste kunna filtrera partiklar som uppstår vid olika arbeten. Lång tid i kraftigt buller kan orsaka hörselskador.
9. Håll personer i omgivningen på säkert avstånd från arbetsområdet. Alla som befinner sig i arbetsområdet måste använda skyddsutrustning. Delar av arbetsstycket eller defekta tillbehör kan flyga iväg och orsaka skador utanför arbetsområdet.
10. Håll maskinen endast i de isolerade handtagen om det finns risk för att skärverktyget kan komma i kontakt med en döld elkabel. Om skärverktyget kommer i kontakt med en strömförande ledning blir maskinens metalldelar strömförande och kan ge användaren en elektrisk stöt.
11. Lägg aldrig elverktyget åt sidan förrän det har stannat helt. Det roterande tillbehöret kan gripa tag i underlaget och du kan förlora kontrollen över maskinen.
12. Kör inte verktyget samtidigt som du bär det. Oavsiktlig kontakt med det roterande tillbehöret kan leda till att det fastnar i dina kläder och dras in mot kroppen.
13. Rengör regelbundet verktygets ventilationsöppningar. Motors fläkt suger in damm i höljet och överdriven ansamling av pulveriserad metall kan orsaka elektrisk fara.

14. **Använd inte verktyget i närheten av lättantändliga material.** Gnistor kan antända dessa material.
15. **Använd inte tillbehör som kräver flytande kylvätskor.** Att använda vatten eller andra flytande kylvätskor kan orsaka dödsfall eller elektriska stötar.

Bakåtkast och relaterade varningar

Bakåtkast är en plötslig reaktion på fastnypot roterande hjul, underlagsplatta, borste eller annat tillbehör. Nyp och kärvning orsakar stegring av det roterande tillbehöret, och orsakar i sin tur att den okontrollerade maskinen tvingas i motsatt riktning vid kärvningspunkten. Om till exempel en slipskiva fastnar i eller kläms fast av arbetsstycket kan skivans kapande kant gräva sig in i materialytan vid klämpunkten, vilket leder till att skivan klättrar eller kastas tillbaka. Skivan kan antingen hoppa mot eller från användaren, beroende på skivans rörelseriktning vid klämpunkten. Slipskivorna kan även gå sönder under dessa omständigheter. Bakåtkast beror på ovarsamhet och/eller felaktiga arbetsrutiner, och kan undvikas genom att vidta nedanstående förebyggande åtgärder.

1. **Se till att hålla verktyget i ett fast grepp och placera kroppen och din arm på ett sätt som gör att du kan stå emot kraften från bakåtkast.** Använd alltid ett extrahandtag, om sådant finns, för maximal kontroll vid bakåtkast eller vridrörelsen vid start. Användaren kan kontrollera vridrörelsen eller krafterna vid bakåtkast om rätt försiktighetsåtgärder vidtas.
2. **Placera aldrig din hand nära det roterande tillbehöret.** Tillbehöret kan kastas bakåt över din hand.
3. **Ställ dig inte där maskinen kommer att förflytta sig i händelse av bakåtkast.** Bakåtkast driver verktyget i motsatt riktning till kapskivans rörelse vid kärvningspunkten.
4. **Var extra försiktig när du bearbetar hörn, vassa kanter osv. Undvik att studsas och stöta tillbehöret.** Hörn, skarpa kanter eller studsning har en tendens att klämma det roterande tillbehöret och orsaka förlorad kontroll eller bakåtkast.
5. **Montera inte en sågkedja, snidarblad eller ett tandat sågblad.** Sådana blad orsakar ofta bakåtkast och förlorad kontroll.

Säkerhetsvarningar för slipning och abrasiv skärning:

1. **Använd endast de skivor som rekommenderas för din maskin och det särskilda sprängskyddet för skivan.** Skivor som inte tillverkats för maskinen kan inte skyddas tillräckligt och är inte tillförlitliga.
2. **Slipytan på nedsänkta skivor måste monteras under planet från sprängskyddets kant.** En felaktigt monterad skiva som sticker utanför planet från sprängskyddets kant är inte tillräckligt skyddad.
3. **Sprängskyddet måste vara ordentligt fäst vid maskinen och placerat för maximal säkerhet, så att minsta möjliga yta av skivan är öppen mot användare.** Sprängskyddet skyddar användaren mot trasiga skivdelar, oavsiktlig kontakt med skivan och gnistor som kan antända kläder.
4. **Kapskivorna får endast användas till rekommenderade arbetsuppgifter. Till exempel: Slipa inte med en kapskivas utsida.** Slipande kapskivor är avsedda för periferislipning. Sidokrafter kan spränga sådana skivor.

5. **Använd alltid oskadade skivflänsar i rätt storlek och form till din skiva.** Rätt skivflänsar stöder kapskivan och minskar därigenom risken för att skivan går sönder. Flänsar till kapskivor kan skilja sig från flänsar till slipskivor.
6. **Använd inte nedslitna skivor för större maskiner.** Skivor avsedda för större maskiner är inte lämpliga för mindre maskiners högre varvtal och kan spricka.

Ytterligare särskilda säkerhetsvarningar för abrasiv skärning:

1. **"Pressa" inte skivan eller utsätt den för överdrivet tryck. Försök inte att göra ett alltför stort kapdjup.** Om kapskivan överbelastas ökar belastningen och risken för att skivan vrids eller fastnar i kapet samt risken för bakåtkast eller att skivan går sönder.
2. **Placera inte din kropp längs med eller bakom den roterande skivan.** När skivan rör sig ifrån dig, kan ett bakåtkast skicka den roterande skivan och maskinen mot dig.
3. **Om kapskivan kärvas eller om ett kap avbryts stänger du av elverktyget och håller det stilla tills skivan har stannat helt. Försök aldrig att ta ut kapskivan ur skäret när skivan är i rörelse, för att undvika bakåtkast.** Undersök och vidta korrigeringsåtgärder för att eliminera orsaken till att kapskivan fastnar.
4. **Starta inte om kapningen med verktyget kvar i arbetsstycket. Låt maskinen nå full hastighet och gå tillbaka i skäret.** Kapskivan kan fastna, vandra uppåt eller kastas bakåt om elverktyget startas om i arbetsstycket.
5. **Stötta långa eller stora arbetsstycken för att minimera risken för att kapskivan fastnar och kastas bakåt.** Stora arbetsstycken tenderar att svikta på grund av sin egen vikt. Stöd måste placeras under arbetsstycket nära såglinjen och nära arbetsstyckets kanter på båda sidorna om kapskivan.
6. **Var extra försiktig vid genomstickssågning i en befintlig vägg eller andra dolda utrymmen.** Den utskjutande kapskivan kan kapa gas- eller vattenledningar, elledningar eller föremål som kan orsaka bakåtkast.

Säkerhetsvarningar särskilt vid slipning:

1. **Använd inte för stora slipskivor. Följ tillverkarens rekommendationer när du väljer slipskiva.** Större slippapper som sticker ut utanför underlaget ger risk för rivning och kan orsaka kärvning, rivning av skivan eller bakåtkast.

Säkerhetsvarningar särskilt vid stålborstning:

1. **Var uppmärksam på att trådbristar kastas ut från borsten även vid normal användning. Överbelasta inte trådarna genom att anlägga onödigt stor kraft mot borsten.** Trådarna kan enkelt gå igenom tunnare klädsel och/eller huden.
2. **Om användning av skydd rekommenderas vid stålborstning får inte borsten eller borsten gå emot skyddet.** Borstens diameter kan expandera på grund av belastningen eller centrifugalkraften.

Ytterligare säkerhetsvarningar:

1. Vid användning av nedsänkta center-rondeller ska endast glasfiberförstärkta rondeller användas.
2. ANVÄND ALDRIG sten-skålskivor med denna slipmaskin. Denna slipmaskin är inte konstruerad för denna typ av skivor och användningen av dessa kan resultera i allvarlig personskada.
3. Var försiktig så att inte spindeln, flänsen (i synnerhet monteringsytan) eller läsmuttern skadas. Skador på någon av dessa delar kan medföra att rondellen förstörs.
4. Se till att rondellen inte är i kontakt med arbetsstycket när du trycker på avtryckaren.
5. Låt verktyget vara igång en stund innan det används på arbetsstycket. Kontrollera att skivan inte vibrerar eller skakar, vilket kan innebära att den är felaktigt monterad eller dåligt balanserad.
6. Slipa endast med den del av rondellen som är avsedd för slipning.
7. Lämna inte maskinen igång. Använd endast maskinen när du håller den i händerna.
8. Rör inte vid arbetsstycket omedelbart efter arbetet. Det kan vara extremt varmt och orsaka brännskador.
9. Rör inte vid tillbehör omedelbart efter arbetet. Det kan vara extremt varmt och orsaka brännskador.
10. Följ tillverkarens anvisningar för korrekt montering och användning av rondeller. Hantera rondellerna varsamt och förvara dem på en säker plats.
11. Använd inte separata reducerhylsor eller adapterar för att kunna använda sliprondeller med större hål.
12. Använd endast flänsar som är avsedda för den här maskinen.
13. Kontrollera att gänglängden i rondellen är tillräckligt lång för spindellängden om rondellen är avsedd att gängas fast.
14. Kontrollera att arbetsstycket är ordentligt fastsatt.
15. Tänk på att rondellen fortsätter att rotera efter att maskinen stängts av.
16. Om arbetsplatsen är extremt varm och fuktig, eller har hög koncentration av elektriskt ledande damm, ska jordfelsbrytare (30 mA) användas för användarens säkerhet.
17. Använd inte maskinen för material som innehåller asbest.
18. Använd alltid föreskrivet dammuppsamlade sprängskydd när du arbetar med kapskiva.
19. Kapskivor får inte utsättas för sidokrafter.
20. Använd inte arbetshandskar i tyg när du arbetar med maskinen. Fibrer från tyghandskar kan komma in i maskinen och orsaka fel.

SPARA DESSA ANVISNINGAR.

⚠ VARNING: GLÖM INTE att också fortsättningsvis strikt följa säkerhetsanvisningarna för maskinen även efter att du blivit van att använda den. Vid FELAKTIG HANTERING av maskinen eller om inte säkerhetsanvisningarna i denna bruksanvisning följs kan följden bli allvarliga personskador.

Viktiga säkerhetsanvisningar för batterikassetten

1. Innan batterikassetten används ska alla instruktioner och varningsmärken på (1) batteriladdaren, (2) batteriet och (3) produkten läsas.
2. Montera inte isär eller mixtra med batterikassetten. Det kan leda till brand, överdriven värme eller explosion.
3. Om drifttiden blivit avsevärt kortare ska användningen avbrytas omedelbart. Det kan uppstå överhettning, brännskador och t o m en explosion.
4. Om du får elektrolyt i ögonen ska de sköljas med rent vatten och läkare uppsöks omedelbart. Det finns risk för att synen förloras.
5. Kortslut inte batterikassetten.
 - (1) Rör inte vid polerna med något strömförande material.
 - (2) Undvik att förvara batterikassetten tillsammans med andra metallobjekt som t.ex. spikar, mynt o.s.v.
 - (3) Skydda batteriet mot vatten och regn. En batterikortslutning kan orsaka ett stort strömflöde, överhettning, brand och maskinhaveri.
6. Förvara och använd inte verktyget och batterikassetten på platser där temperaturen kan nå eller överstiga 50 °C.
7. Bränn inte upp batterikassetten även om den är svårt skadad eller helt utsliten. Batterikassetten kan explodera i öppen eld.
8. Spika inte i, krossa, kasta, tappa eller slå batterikassetten mot hårda föremål. Dylåka handlingar kan leda till brand, överdriven värme eller explosion.
9. Använd inte ett skadat batteri.
10. De medföljande litiumjonbatterierna är föremål för kraven i gällande lagstiftning för farligt gods.

För kommersiella transporter (av t.ex. tredje parter som speditorsfirmor) måste de särskilda transportkrav som anges på emballaget och etiketter iakttas.

För att förbereda den produkt som ska avsändas krävs att du konsulterar en expert på riskmaterial. Var också uppmärksam på att det i ditt land kan finnas ytterligare föreskrifter att följa.

Tejpa över eller maskera blottade kontakter och packa batteriet på sådant sätt att det inte kan röra sig fritt i förpackningen.
11. När batterikassetten ska kasseras måste den tas bort från maskinen och kasseras på ett säkert sätt. Följ lokala föreskrifter beträffande avfallshantering av batteriet.
12. Använd endast batterierna med de produkter som specificerats av Makita. Att använda batterierna med ej godkända produkter kan leda till brand, överdriven värme, explosion eller utläckande elektrolyt.
13. Om maskinen inte används under en lång tid måste batteriet tas bort från maskinen.

14. Under och efter användning kan batterikassetten bli het vilket kan orsaka brännskador eller lättare brännskador. Var uppmärksam på hur du hanterar varma batterikassetter.
15. Vidrör inte verktygets kontakter direkt efter användning eftersom de kan bli heta och orsaka brännskador.
16. Låt inte flisor, damm eller smuts fastna i kontaktarna, i hål eller spår i batterikassetten. Det kan leda till dålig prestanda eller till att verktyget eller batterikassetten går sönder.
17. Sävida inte verktyget stöder arbeten i närheten av högspänningsledning för batterikassetten inte användas i närheten av en högspänningsledning. Det kan leda till att verktyget eller batterikassetten går sönder eller inte fungerar korrekt.

SPARA DESSA ANVISNINGAR.

⚠FÖRSIKTIGT: Använda endast äkta Makita-batterier. Användning av oäkta Makita-batterier eller batterier som har manipulerats kan leda till person- och utrustningsskador eller till att batteriet fattar eld. Det upphäver också Makitas garanti för verktyget och laddaren.

Tips för att uppnå batteriets maximala livslängd

1. Ladda batterikassetten innan den är helt urladdad. Stanna alltid maskinen och ladda batterikassetten när du märker att maskinen blir svagare.
2. Ladda aldrig en fulladdad batterikassett. Överladdning förkortar batteriets livslängd.
3. Ladda batterikassetten vid en rumstemperatur på 10 °C - 40 °C. Låt en varm batterikassett svalna innan den laddas.
4. När batterikassetten inte används ska den tas bort från verktyget eller laddaren.
5. Ladda batterikassetten om du inte har använt den på länge (mer än sex månader).

Viktiga säkerhetsanvisningar för den trådlösa enheten

1. Montera inte isär eller manipulera den trådlösa enheten.
2. Förvara den trådlösa enheten utom räckhåll för barn. Om den råkar sväljas, sök omedelbart läkarhjälp.
3. Använd den trådlösa enheten endast ihop med Makita-verktyg.
4. Utsätt inte den trådlösa enheten för regn eller våta förhållanden.
5. Använd inte den trådlösa enheten på platser där temperaturen överstiger 50 °C.
6. Använd inte den trådlösa enheten på platser där medicinska instrument som pacemakers finns i närheten.
7. Använd inte den trådlösa enheten på platser där automatiska enheter finns i närheten. Om de är igång kan automatiska enheter utveckla funktionsstörningar eller fel.

8. Använd inte den trådlösa enheten på platser med hög temperatur eller där det kan skapas statisk elektricitet eller elektriskt brus.
9. Den trådlösa enheten kan alstra elektromagnetiska fält (EMF) men dessa är inte skadliga för användaren.
10. Den trådlösa enheten är ett noggrant instrument. Var försiktig så att du inte råkar tappa den trådlösa enheten eller utsätta den för stötar.
11. Undvik att vidröra den trådlösa enhetens terminal med bara händer eller metallmaterial.
12. Ta alltid bort batteriet på produkten när du installerar den trådlösa enheten på den.
13. När du öppnar skårans lock, undvik då det ställe där damm och vatten kan komma in i skåran. Håll alltid skårans inlopp rent.
14. Sätt alltid in den trådlösa enheten i rätt riktning.
15. Tryck inte för hårt på knappen för trådlös aktivering på den trådlösa enheten, och tryck inte på knappen med ett föremål med vass kant.
16. Stäng alltid skårans lock vid körning.
17. Ta inte bort den trådlösa enheten från skåran medan ström tillförs till verktyget. Att göra det kan orsaka funktionsfel på den trådlösa enheten.
18. Ta inte bort dekalen på den trådlösa enheten.
19. Sätt inte någon dekal på den trådlösa enheten.
20. Lämna inte den trådlösa enheten någonstans där det kan skapas statisk elektricitet eller elektriskt brus.
21. Lämna inte den trådlösa enheten någonstans där den utsätts för hög värme, t.ex. en bil i solen.
22. Lämna inte den trådlösa enheten på ett dammig eller pulvrigt ställe eller någonstans där korrosiv gas kan bildas.
23. Plötsliga temperaturförändringar kan göra den trådlösa enheten dagbestänkt. Använd inte den trådlösa enheten förrän daggen helt har torkat bort.
24. När den trådlösa enheten rengörs, torka den då med en torr mjuk duk. Använd inte tvättbensin, thinner, konduktivt fett eller liknande.
25. När den trådlösa enheten ska tas i förvar, ha den då i det tillhörande fodralet eller en behållare med skydd mot statisk laddning.
26. Sätt inte in några andra enheter än den trådlösa Makita-enheten i skåran på verktyget.
27. Använd inte verktyget om skårans lock är skadat. Det kan komma in vatten, damm och smuts i skåran som orsakar funktionsfel.
28. Dra eller vrid inte skårans lock mer än nödvändigt. Sätt tillbaka locket om det lossnar från verktyget.
29. Ersätt skårans lock om det går förlorat eller skadas.

SPARA DESSA ANVISNINGAR.

FUNKTIONSBESKRIVNING

⚠ FÖRSIKTIGT: Se alltid till att maskinen är avstängd och batterikassetten borttagen innan du justerar maskinen eller kontrollerar dess funktioner.

Montera eller demontera batterikassetten

⚠ FÖRSIKTIGT: Stäng alltid av maskinen innan du monterar eller tar bort batterikassetten.

⚠ FÖRSIKTIGT: Håll stadigt i maskinen och batterikassetten när du monterar eller tar bort batterikassetten. I annat fall kan det leda till att de glider ur dina händer och orsakar skada på maskinen och batterikassetten samt personskada.

► **Fig.1:** 1. Röd indikator 2. Knapp 3. Batterikassett

Ta bort batterikassetten genom att skjuta ner knappen på kassetten framsida samtidigt som du drar ut batterikassetten.

Sätt in batterikassetten genom att rikta in tungan på batterikassetten mot spåret i höljet och skjut den på plats. Tryck in batterikassetten ordentligt tills den låser fast med ett klick. Om du kan se den röda indikatorn på knappens ovansida är den inte låst ordentligt.

⚠ FÖRSIKTIGT: Sätt alltid in batterikassetten helt tills den röda indikatorn inte längre syns. I annat fall kan den oväntat falla ur maskinen och skada dig eller någon annan.

⚠ FÖRSIKTIGT: Montera inte batterikassetten med våld. Om kassetten inte lätt glider på plats är den felinsatt.

Indikerar kvarvarande batterikapacitet

Tryck på kontrollknappen på batterikassetten för att se kvarvarande batterikapacitet. Indikatorlamporna lyser i ett par sekunder.

► **Fig.2:** 1. Indikatorlampor 2. Kontrollknapp

Indikatorlampor			Kvarvarande kapacitet	
Upplyst	Av	Blinkar		
■	□	◻	75% till 100%	
■ ■ ■ ■				
■ ■ ■ □				50% till 75%
■ ■ □ □				25% till 50%
■ □ □ □			0% till 25%	
◻ □ □ □			Ladda batteriet.	
■ ■ □ □			Batteriet kan ha skadats.	
□ □ ■ ■				

OBS: Beroende på användningsförhållanden och den omgivande temperaturen kan indikationen skilja sig lätt från den faktiska batterikapaciteten.

Skyddssystem för maskinen/batteriet

Verktyget är utrustat med ett skyddssystem för verktyget/batteriet. Detta system bryter automatiskt strömmen till motorn för att förlänga verktygets och batteriets livslängd. Verktyget stoppar automatiskt under användningen om verktyget eller batteriet hamnar i en av följande situationer:

Överbelastningsskydd

Om verktyget/batteriet används på ett sätt som gör att det drar onormalt mycket ström kan det stoppas automatiskt utan varning. När detta sker stänger du av verktyget och upphör med arbetet som gjorde att verktyget överbelastades. Starta därefter upp verktyget igen.

Överhettningsskydd

När verktyget/batteriet överhettas stoppas verktyget automatiskt. Låt verktyget svalna innan du startar den igen.

Överurladdningsskydd

När batteriets kapacitet är otillräcklig stoppar maskinen automatiskt. I sådant fall ska batteriet tas ur maskinen och laddas.

Frigöra skyddslåset

När skyddssystemet arbetar flera gånger låses verktyget.

I denna situation startar inte maskinen även om den slås av och sedan på igen. För att frigöra skyddslåset tar du ur batteriet, sätter det i batteriladdaren och väntar tills laddningen är klar.

Spindellås

Tryck ned spindellåset för att förhindra att spindeln roterar när du monterar eller tar bort tillbehör.

► **Fig.3:** 1. Spindellås

OBSERVERA: Aktivera aldrig spindellåset medan spindeln rör sig. I annat fall kan maskinen skadas.

Avtryckarens funktion

⚠ FÖRSIKTIGT: Kontrollera alltid att avtryckaren löser ut ordentligt och återgår till läget "OFF" när den släpps innan batterikassetten installeras i verktyget.

⚠ FÖRSIKTIGT: Detta verktyg är utrustat med en säkerhetsspärr som förhindrar oavsiktlig start. Använd ALDRIG verktyget om det startar när du trycker på avtryckaren utan att ha tryckt in säkerhetsspärren. Returnera verktyget till ett auktoriserat servicecenter för reparation INNAN du fortsätter att använda det.

⚠ FÖRSIKTIGT: Tryck aldrig in avtryckaren hårt utan att ha tryckt in säkerhetsspärren. I annat fall kan avtryckaren skadas.

⚠ FÖRSIKTIGT: Sätt ALDRIG säkerhetsspärren ur funktion genom att t.ex. tejpa över den.

► **Fig.4:** 1. Säkerhetsspärr 2. Avtryckare

För att förhindra att avtryckaren trycks in av misstag finns det en säkerhetsspärr.
Starta verktyget genom att dra säkerhetsspärren mot dig, och tryck sedan in avtryckaren.
För att stoppa maskinen släpper du avtryckaren.

Ratt för hastighetsinställning

Maskinens rotationshastighet kan ändras genom att vrida på ratten för hastighetsinställning. Tabellen nedan visar rattens nummer och motsvarande hastighet.

► **Fig.5:** 1. Ratt för hastighetsinställning

Nummer	Hastighet
1	3 000 min ⁻¹
2	4 500 min ⁻¹
3	6 000 min ⁻¹
4	7 500 min ⁻¹
5	8 500 min ⁻¹

OBSERVERA: Om maskinen används oavbrutet på låg hastighet under lång tid överbelastas motorn, vilket leder till funktionsfel på maskinen.

OBSERVERA: Vid byte på hastighetsratten från "5" till "1", vrid ratten moturs. Vrid inte ratten medurs med våld.

Funktion för att förhindra oavsiktlig omstart

Verktyget startar inte när batterikassetten installeras samtidigt som avtryckaren trycks in.
Starta verktyget genom att först frigöra avtryckaren. Dra sedan ut säkerhetsspärren och tryck in avtryckaren.

Funktion för elektronisk vridmomentskontroll

Maskinen identifierar situationer på elektronisk väg där hjul eller tillbehör riskerar att fastna. I en sådan situation stängs maskinen automatiskt av för att förhindra att spindeln roterar ytterligare (emellertid förhindras inte bakåtkast).

För att starta om maskinen stänger du först av den, avlägsnar orsaken till den plötsliga minskningen av rotationshastigheten, och slår sedan på maskinen igen.

Mjukstartfunktion

Mjukstartfunktionen dämpar startchocken.

Elektronisk broms

Endast för modell GA027G / GA028G / GA029G

Den elektroniska bromsen aktiveras när maskinen stängs av.
Bromsen fungerar inte när strömtillförseln stängs av (t.ex. om batteriet tas ur) med avtryckaren aktiverad.

MONTERING

⚠ FÖRSIKTIGT: Se alltid till att maskinen är avstängd och batterikassetten borttagen innan du justerar maskinen eller kontrollerar dess funktioner.

Montera sidohandtaget

⚠ FÖRSIKTIGT: Kontrollera alltid att sidohandtaget sitter fast ordentligt innan arbetet påbörjas.

Skruva fast sidohandtaget ordentligt på rätt plats på maskinen enligt figuren.

► **Fig.6**

Montera eller demontera sprängskyddet

⚠ VARNING: När en sliprondell med försänkt nav, lamellslipskiva, flexibel rondell eller skivstålborste används måste sprängskyddet monteras på maskinen så att den slutna sidan alltid är vänd mot användaren.

⚠ VARNING: Se till att sprängskyddet är ordentligt låst med låsspaken med ett av hålen i sprängskyddet.

⚠ VARNING: Vid användning av en kap-/diamantskiva ska du vara noga med att endast använda det speciella sprängskydd som är avsett för användning tillsammans med kapskivor.

(I vissa europeiska länder kan det vanliga sprängskyddet användas tillsammans med diamantskivan. Följ föreskrifterna i ditt land.)

För rondell med försänkt navrondell, lamellskiva, flexibel rondell, skivstålborste/kapskiva, diamantskiva

1. När du trycker på låsspaken monterar du sprängskyddet så att de utskjutande delarna på sprängskyddets band passar in i uttagen på lagerhuset.

► **Fig.7:** 1. Låsspak 2. Skåra 3. Utsprång

2. När du trycker låsspaken mot A, skjuter du in sprängskyddet genom att hålla ner delarna B enligt vad som visas på bilden.

► **Fig.8:** 1. Sprängskydd 2. Hål

OBS: Tryck sprängskyddet rakt ner. I annat fall kan du inte trycka ner sprängskyddet helt.

3. Medan du håller låsspakens och sprängskyddets position enligt beskrivningen i steg 2, roterar du sprängskyddet mot C och ändrar sedan vinkeln på sprängskyddet efter vad som behövs för arbetet.

► **Fig.9:** 1. Sprängskydd 2. Hål

OBS: Tryck sprängskyddet helt. I annat fall kan du inte rotera sprängskyddet.

Gör på omvänt sätt för att ta bort sprängskyddet.

Montera eller ta bort sliprondell med försäinkt nav eller lamellslipskiva

Valfria tillbehör

⚠ VARNING: När en sliprondell med försäinkt nav eller lamellslipskiva används, måste sprängskyddet monteras på maskinen så att den slutna sidan alltid är vänd mot användaren.

⚠ FÖRSIKTIGT: Se till att den monterade delen av den inre flänsen passar perfekt in i den inre diametern av den försänkta navrondellen/lamellskivan. Montering av den inre flänsen på fel sida kan leda till farliga vibrationer.

Montera den inre flänsen på spindeln. Se till att den buktade delen av den inre flänsen monteras på den raka delen längst ned på spindeln. Passa in den försänkta navrondellen/lamellskivan på den inre flänsen och skruva på låsmuttern på spindeln.

► **Fig.10:** 1. Låsmutter 2. Försäinkt navrondell 3. Inre fläns 4. Monteringsdel

Tryck in spindellåset ordentligt för att dra fast låsmuttern så att spindeln inte kan rotera. Använd sedan tappnyckeln för att dra åt ytterligare.

► **Fig.11:** 1. Tappnyckel för låsmutter 2. Spindellås

Gör på omvänt sätt för att ta bort rondellen.

Montera eller ta bort flexibel rondell

Valfria tillbehör

⚠ VARNING: Använd alltid det medföljande skyddet när en flexibel rondell är monterad på maskinen. Skivan kan splittras under användningen och skyddet minskar risken för personskador.

► **Fig.12:** 1. Låsmutter 2. Flexibel rondell 3. Stödplatta 4. Inre fläns

Följ anvisningarna för försäinkt navrondell, men använd även en stödplatta över skivan. Se monteringssekvensen på tillbehörssidan i denna bruksanvisning.

Montera eller ta bort sliprondell

Valfria tillbehör

OBS: Använd endast slipningstillbehör som specificeras i denna bruksanvisning. Dessa måste köpas separat.

För modell med 110 mm

► **Fig.13:** 1. Låsmutter för slipning 2. Sliprondell 3. Gummidyna 4. Inre fläns

1. Montera den inre flänsen på spindeln.
2. Fäst gummidynan på spindeln.
3. Passa in rondellen över gummidynan och skruva fast låsmuttern för slipning på spindeln.
4. Håll i spindeln med spindellåset och dra åt låsmuttern för slipning ordentligt med tappnyckeln.

Följ monteringsanvisningarna i omvänt ordning för att ta bort rondellen.

För modell med 115 mm/125 mm

► **Fig.14:** 1. Låsmutter för slipning 2. Sliprondell 3. Gummidyna

1. Fäst gummidynan på spindeln.
2. Passa in rondellen över gummidynan och skruva fast låsmuttern för slipning på spindeln.
3. Håll i spindeln med spindellåset och dra åt låsmuttern för slipning ordentligt med tappnyckeln.

Följ monteringsanvisningarna i omvänt ordning för att ta bort rondellen.

Montering eller demontering av Ezynut

Valfria tillbehör

⚠ FÖRSIKTIGT: Använd inte Ezynut med superfläns eller med vinkelslipmaskin med "F" i slutet av modellnumret. Dessa flänsar är så tjocka att hela gängningen inte kan hållas av spindeln.

► **Fig.15:** 1. Ezynut 2. Slipskiva 3. Innerfläns 4. Spindel

Montera innerflänsen, slipskivan och Ezynut på spindeln så att Makitas logotyp på Ezynut är vänd utåt.

► **Fig.16:** 1. Spindellås

Tryck in spindellåset och dra åt Ezynut genom att vrida slipskivan medurs så långt som den går att vrida. Vrid Ezynut:s ytterring moturs för att lossa den.

► **Fig.17:** 1. Pål 2. Ås

► **Fig.18**

OBS: Ezynut kan lossas för hand så länge som pilen är riktad mot skåran. Annars behövs det en tappnyckel för att lossa den. Sätt i en av tappnyckelns stift i ett av hålen och vrid Ezynut moturs.

Installation av kap-/diamantskiva

Valfria tillbehör

⚠ VARNING: Vid användning av en kap-/diamantskiva ska du vara noga med att endast använda det speciella sprängskydd som är avsett för användning tillsammans med kapskivor.

(I vissa europeiska länder kan det vanliga sprängskyddet användas tillsammans med diamantskivan. Följ föreskrifterna i ditt land.)

⚠ VARNING: Använd ALDRIG kapskivor för sidoslipning.

► **Fig.19:** 1. Låsmutter 2. Kap-/diamantskiva 3. Inre fläns 4. Sprängskydd för kap-/diamantskiva

Följ anvisningarna för den försänkta navrondellen för montering.

Riktningen för att montera låsmuttern och den inre flänsen varierar beroende på skivans typ och tjocklek.

Se följande figurer.

För modell med 100 mm

När du monterar kapskivan:

- **Fig.20:** 1. Låsmutter 2. Kapskiva (tunnare än 4 mm)
3. Kapskiva (4 mm eller tjockare) 4. Inre fläns

När du monterar diamantskivan:

- **Fig.21:** 1. Låsmutter 2. Diamantskiva (tunnare än 4 mm) 3. Diamantskiva (4 mm eller tjockare) 4. Inre fläns

För modell med 115 mm/125 mm

När du monterar kapskivan:

- **Fig.22:** 1. Låsmutter 2. Kapskiva (tunnare än 4 mm)
3. Kapskiva (4 mm eller tjockare) 4. Inre fläns

När du monterar diamantskivan:

- **Fig.23:** 1. Låsmutter 2. Diamantskiva (tunnare än 4 mm) 3. Diamantskiva (4 mm eller tjockare) 4. Inre fläns

Installation av skålformad stålborste

Valfria tillbehör

⚠ FÖRSIKTIGT: Använd inte en borste som är skadad eller obalanserad. Användning av en skadad borste kan öka risken för skador på grund av kontakt med trasiga borstrådar.

- **Fig.24:** 1. Skålformad stålborste

Ta ut batterikassetten ur verktyget och ställ det upp och ned för att underlätta att komma åt spindeln.

Ta bort eventuella tillbehör på spindeln. Trä den skålformade stålborsten på spindeln och dra åt med medföljande nyckel.

Installation av skivstålborste

Valfria tillbehör

⚠ FÖRSIKTIGT: Använd inte en skivstålborste som är skadad eller obalanserad. Användning av en skadad skivstålborste kan öka risken för skador på grund av kontakt med trasiga borstrådar.

⚠ FÖRSIKTIGT: Använd ALLTID skydd tillsammans med skivstålborstar och kontrollera att skivdiametern passar innanför skyddet. Skivan kan splittras under användningen och skyddet minskar risken för personskador.

- **Fig.25:** 1. Skivstålborste

Ta ut batterikassetten ur verktyget och ställ det upp och ned för att underlätta att komma åt spindeln.

Ta bort eventuella tillbehör på spindeln. Montera skivstålborsten på spindeln och dra åt med nycklarna.

Ansluta en dammsugare

Valfria tillbehör

⚠ VARNING: Dammsug aldrig metallpartiklar från slipning/kapning. Metallpartiklar från dylik bearbetning är så varma att de kan antända filtret inne i dammsugaren.

Använd ett sprängskydd med dammuppsamlare och en dammsugare för att undvika dammiga miljöer orsakade av sågning i trä.

Se bruksanvisningen som är fäst på sprängskyddets dammuppsamlare för montering och användning.

- **Fig.26:** 1. Dammuppsamlare sprängskydd
2. Slang på dammsugare

ANVÄNDNING

⚠ VARNING: Tänk på att aldrig tvinga maskinen. Maskinens vikt ska utgöra ett tillräckligt tryck. Tvång eller överdrivet tryck kan resultera i farliga rondellbrott.

⚠ VARNING: Byt ALLTID ut rondellen om den har tappats under slipning.

⚠ VARNING: Slå ALDRIG med rondellen eller skivan på arbetsstycket.

⚠ VARNING: Undvik att studsas eller hackas med rondeller, i synnerhet i närheten av hörn, skarpa kanter osv. Det är lätt att i dessa situationer förlora kontrollen över maskinen så att den kastas bakåt.

⚠ VARNING: Använd ALDRIG maskinen med sågklingor avsedda för trä eller andra sågblad. Att använda sådana klingor i slipmaskiner innebär stor risk för bakåtkast som kan förorsaka personskador.

⚠ FÖRSIKTIGT: Starta aldrig maskinen när denna är i kontakt med arbetsstycket. Det kan orsaka personskador.

⚠ FÖRSIKTIGT: Använd alltid skyddsglasögon eller visir under arbetet.

⚠ FÖRSIKTIGT: När du är klar med arbetet ska du vänta tills rondellen stannat helt innan du lägger maskinen åt sidan.

⚠ FÖRSIKTIGT: Håll ALLTID maskinen i ett fast grepp med ena handen på huset och den andra på sidohandtaget.

Slipning av trä och metall

- **Fig.27**

Starta maskinen och för rondellen eller skivan mot arbetsstycket.

I allmänhet är det lämpligt att hålla kanten på skivan/rondellen i ungefär 15° vinkel mot arbetsstycket.

Under inkörning av en ny skiva/rondell ska slipmaskinen inte föras in framåt riktning eftersom den då kan köra fast i arbetsstycket. När kanten på skivan/rondellen har rundats av kan den användas i båda riktningarna (framåt och bakåt).

Användning av kap-/diamantskiva

Valfria tillbehör

⚠ VARNING: "Pressa" inte skivan eller utsätt den för överdrivet tryck. Försök inte att göra ett alltför stort kapdjup. Överbelastning av skivan ökar trycket och risken för att skivan vrids eller fastnar i skäret vilket kan orsaka bakåtkast, sprucken skiva och överhettad motor.

⚠ VARNING: Starta inte skärningen med maskinen i arbetsstycket. Låt skivan komma upp i full hastighet och för den försiktigt in i skäret genom att föra maskinen framåt över arbetsstyckets yta. Kapskivan kan fastna, vandra uppåt eller kastas bakåt om elverktyget startas om i arbetsstycket.

⚠ VARNING: Under skärningen får skivans vinkel aldrig ändras. Sidotryck på kapskivan (som vid slipning) medför att skivan spricker och sprängs, vilket kan leda till svåra personskador.

⚠ VARNING: En diamantskiva ska arbetas vinkelrätt mot det material som ska kapas.

Användningsexempel: användning med slipande kapskiva
► Fig.28

Användningsexempel: användning med diamantskiva
► Fig.29

Användning av den skålformade stålborsten

Valfria tillbehör

⚠ FÖRSIKTIGT: Kontrollera hur borsten fungerar genom att köra maskinen utan belastning och försäkra dig om att ingen finns framför eller i linje med borsten.

OBSERVERA: Undvik att använda för mycket tryck vilket gör att trådarna böjs för mycket vid användning av den skålformade stålborsten. Det kan leda till förtida slitage.

Användningsexempel: användning med skålformad stålborste
► Fig.30

Användning av skivstålborsten

Valfria tillbehör

⚠ FÖRSIKTIGT: Kontrollera hur skivstålborsten fungerar genom att köra maskinen utan belastning och försäkra dig om att ingen finns framför eller i linje med skivstålborsten.

OBSERVERA: Undvik att använda för mycket tryck vilket gör att trådarna böjs för mycket vid användning av skivstålborsten. Det kan leda till att borsten förbrukas i förtid.

Användningsexempel: användning med skivstålborste
► Fig.31

FUNKTION FÖR TRÅDLÖS AKTIVERING

Vad du kan göra med funktionen för trådlös aktivering

Funktionen för trådlös aktivering möjliggör en ren och bekväm körning. Genom att ansluta en dammsugare som stöds till verktyget, kan du göra så att dammsugaren automatiskt körs samtidigt som du använder verktygets knappfunktion.

► Fig.32

Gör i ordning följande artiklar för att använda funktionen för trådlös aktivering:

- En trådlös enhet (valfritt tillbehör)
- En dammsugare som har stöd för funktionen för trådlös aktivering

Översikten över inställningen av funktionen för trådlös aktivering är följande. Se detaljerade rutiner i varje avsnitt.

1. Installera den trådlösa enheten
2. Verktygsregistrering för dammsugaren
3. Starta funktionen för trådlös aktivering

Installera den trådlösa enheten

Valfria tillbehör

⚠ FÖRSIKTIGT: Placera verktyget på en platt och stabil yta när den trådlösa enheten installeras.

OBSERVERA: Rensa bort damm och smuts från verktyget innan den trådlösa enheten installeras. Damm eller smuts kan orsaka funktionsfel om det kommer in i skåran på den trådlösa enheten.

OBSERVERA: För att förebygga funktionsfel till följd av statisk laddning vidrör du ett statiskt urladdande material, t.ex. en metalldel på verktyget, innan du plockar upp den trådlösa enheten.

OBSERVERA: Se alltid till när du installerar den trådlösa enheten att den är insatt i rätt riktning och att locket är helt stängt.

1. Öppna locket på verktyget enligt figuren.

► Fig.33: 1. Lucka

2. Sätt in den trådlösa enheten i skåran och stäng sedan locket.

När du sätter in den trådlösa enheten, passa då in de utskjutande delarna med de insänkta delarna i skåran.

► Fig.34: 1. Trådlös enhet 2. Utskjutande del 3. Lucka 4. Insänkt del

Öppna locket långsamt när du tar bort den trådlösa enheten. Krokarna på lockets baksida lyfter den trådlösa enheten när du drar upp locket.

► Fig.35: 1. Trådlös enhet 2. Krok 3. Lucka

När den trådlösa enheten tagits bort, ha den då i det tillhörande fodralet eller en behållare med skydd mot statisk laddning.

OBSERVERA: Använd alltid krokarna på lockets baksida när du tar bort den trådlösa enheten. Om krokarna inte fångar upp den trådlösa enheten, stänger du locket helt och öppnar det långsamt igen.

Verktysregistrering för dammsugaren

OBS: För verktysregistreringen krävs en Makita-dammsugare som har stöd för den trådlösa aktiveringsfunktionen.

OBS: Avsluta installationen av den trådlösa enheten till verktyget innan du inleder verktysregistreringen.

OBS: Använd inte avtryckaren under verktysregistreringen och vrid inte på strömbrytaren på dammsugaren.

OBS: Se också bruksanvisningen för dammsugaren.

Om du vill aktivera dammsugaren tillsammans med verktygets knappfunktion, ska du slutföra verktysregistreringen i förväg.

1. Installera batterierna till dammsugaren och verktyget.

2. Sätt dammsugarens stand-by-omkopplare på "AUTO".

► **Fig.36:** 1. Stand-by-omkopplare

3. Tryck på knappen för trådlös aktivering på dammsugaren i 3 sekunder tills lampan för trådlös aktivering blinkar grönt. Tryck sedan på knappen för trådlös aktivering på verktyget på samma sätt.

► **Fig.37:** 1. Knapp för trådlös aktivering 2. Lampa för trådlös aktivering

Om dammsugaren och verktyget har kopplats ihop ordentligt, kommer lamporna för trådlös aktivering att lysa grönt i 2 sekunder och börja blinka i blått.

OBS: Lamporna för trådlös aktivering slutar blinka grönt efter att 20 sekunder har gått. Tryck på knappen för trådlös aktivering på maskinen när lampan för trådlös aktivering på dammsugaren blinkar. Om lampan för trådlös aktivering inte blinkar grönt, trycker du kort på knappen för trådlös aktivering och håller in den igen.

OBS: När du utför två eller flera verktysregistreringar för en dammsugare avslutar du verktysregistreringarna en och en.

Starta funktionen för trådlös aktivering

OBS: Avsluta verktysregistreringen för dammsugaren före den trådlösa aktiveringen.

OBS: Se också bruksanvisningen för dammsugaren.

Efter att ett verktyg registrerats till dammsugaren kommer den att köras automatiskt tillsammans med verktygets knappfunktion.

1. Installera den trådlösa enheten till verktyget.

2. Anslut dammsugarsslangen till verktyget.

► **Fig.38**

3. Sätt dammsugarens stand-by-omkopplare på "AUTO".

► **Fig.39:** 1. Stand-by-omkopplare

4. Tryck kort på knappen för trådlös aktivering på verktyget. Lampan för trådlös aktivering blinkar blått.

► **Fig.40:** 1. Knapp för trådlös aktivering 2. Lampa för trådlös aktivering

5. Tryck på verktygets avtryckare. Kontrollera om dammsugaren är igång medan avtryckaren är intryckt.

För att stoppa den trådlösa aktiveringen av dammsugaren trycker du på knappen för trådlös aktivering på verktyget.

OBS: Lampan för trådlös aktivering på verktyget slutar blinka blått när ingen användning har skett på 2 timmar. Sätt i så fall stand-by-omkopplaren på dammsugaren på "AUTO" och tryck igen på knappen för trådlös aktivering på verktyget.

OBS: Dammsugaren startar/stannar med en fördröjning. Det blir en tidsfördröjning när dammsugaren känner av en knappfunktion från verktyget.










OBS: Sändningsavståndet till den trådlösa enheten kan variera beroende på plats och omständigheter i omgivningen.

OBS: När två eller flera verktyg är registrerade till en dammsugare, kan dammsugaren gå igång även om du inte trycker på avtryckaren eftersom en annan användare använder funktionen för trådlös aktivering.

Beskrivning av status för lampan för trådlös aktivering

► Fig.41: 1. Lampa för trådlös aktivering

Lampan för trådlös aktivering visar status för den trådlösa aktiveringsfunktionen. Se innebörden av lampans status i tabellen nedan.

Status	Lampa för trådlös aktivering				Beskrivning
	Färg	 På	 Blinkar	Varaktighetstid	
Standby	Blå			2 timmar	Den trådlösa aktiveringen av dammsugaren är tillgänglig. Lampan släcks automatiskt när ingen användning har ägt rum på 2 timmar.
				När verktyget är igång.	Den trådlösa aktiveringen av dammsugaren är tillgänglig och verktyget är igång.
Verktysregistrering	Grön			20 sekunder	Redo för verktysregistrering. Väntar på registrering från dammsugaren.
				2 sekunder	Verktysregistreringen har avslutats. Lampan för trådlös aktivering börjar blinka blått.
Upphäver verktysregistrering	Röd			20 sekunder	Redo för att upphäva verktysregistreringen. Väntar på upphävande från dammsugaren.
				2 sekunder	Upphävandet av verktysregistreringen har avslutats. Lampan för trådlös aktivering börjar blinka blått.
Övriga	Röd			3 sekunder	Ström tillförs till den trådlösa enheten och funktionen för trådlös aktivering startar.
	Av	-		-	Den trådlösa aktiveringen av dammsugaren stoppas.

Upphäver verktysregistrering för dammsugaren

Utför följande rutin vid upphävande av verktysregistreringen för dammsugaren.

1. Installera batterierna till dammsugaren och verktyget.
2. Sätt dammsugarens stand-by-omkopplare på "AUTO".

► Fig.42: 1. Stand-by-omkopplare

3. Tryck på knappen för trådlös aktivering på dammsugaren i 6 sekunder. Lampan för trådlös aktivering blinkar grönt och blir sedan röd. Tryck sedan på knappen för trådlös aktivering på verktyget på samma sätt.

► Fig.43: 1. Knapp för trådlös aktivering 2. Lampa för trådlös aktivering

Om upphävandet har utförts ordentligt, kommer lamporna för trådlös aktivering att lysa rött i 2 sekunder och börja blinka i blått.

OBS: Lamporna för trådlös aktivering slutar blinka rött efter att 20 sekunder har gått. Tryck på knappen för trådlös aktivering på maskinen när lampan för trådlös aktivering på dammsugaren blinkar. Om lampan för trådlös aktivering inte blinkar rött, trycker du kort på knappen för trådlös aktivering och håller in den igen.

Felsökning för funktionen för trådlös aktivering

Innan du ber om reparation ska du först utföra en egen kontroll. Om du hittar ett problem som inte finns förklarat i bruksanvisningen ska du inte försöka att ta isär maskinen. Fråga istället ett auktoriserad servicecenter för Makita, och använd alltid reservdelar från Makita för reparationer.

Feltillstånd	Trolig orsak (felsfunktion)	Åtgärd
Lampan för trådlös aktivering lyser/ blinker inte.	Den trådlösa enheten är inte installerad till verktyget. Den trådlösa enheten är felaktigt installerad till verktyget.	Installera den trådlösa enheten korrekt.
	Den trådlösa enhetens kontakt och/eller skåran är smutsig.	Torka försiktigt av damm och smuts på den trådlösa enhetens kontakt och rengör skåran.
	Knappen för trådlös aktivering på verktyget har inte tryckts.	Tryck kort på knappen för trådlös aktivering på verktyget.
	Stand-by-omkopplaren på dammsugaren är inte satt på "AUTO".	Sätt dammsugarens stand-by-omkopplare på "AUTO".
	Ingen strömtillförsel	Koppla in ström till verktyget och dammsugaren.
Kan inte avsluta verktygsregistrering/ upphäva verktygsregistrering.	Den trådlösa enheten är inte installerad till verktyget. Den trådlösa enheten är felaktigt installerad till verktyget.	Installera den trådlösa enheten korrekt.
	Den trådlösa enhetens kontakt och/eller skåran är smutsig.	Torka försiktigt av damm och smuts på den trådlösa enhetens kontakt och rengör skåran.
	Stand-by-omkopplaren på dammsugaren är inte satt på "AUTO".	Sätt dammsugarens stand-by-omkopplare på "AUTO".
	Ingen strömtillförsel	Koppla in ström till verktyget och dammsugaren.
	Felaktig funktion	Tryck kort på knappen för trådlös aktivering och utför rutinerna för verktygsregistrering/-upphävande igen.
	Verktyget och dammsugaren är åtskilda från varandra (utanför sändningsområdet).	Se till att verktyget och dammsugaren hamnar närmare varandra. Det maximala sändningsavståndet är ca 10 m, men det kan variera beroende på omständigheterna.
	Innan verktygsregistreringen/-upphävandet avslutas: - tryck på avtryckaren på verktyget, - sätt på strömknappen på dammsugaren.	Tryck kort på knappen för trådlös aktivering och utför rutinerna för verktygsregistrering/-upphävande igen.
	Verktygsregistreringsrutinerna för verktyget eller dammsugaren har inte slutförts.	Utför verktygsregistreringsrutinerna för både verktyget och dammsugaren på samma gång.
	Radiostörningar från andra apparater som skapar högtintensiva radiovågor.	Håll verktyget och dammsugaren borta från apparater som WiFi-enheter och mikro vågsugnar.
	Dammsugaren är inte igång samtidigt som verktygets knappfunktion.	Den trådlösa enheten är inte installerad till verktyget. Den trådlösa enheten är felaktigt installerad till verktyget.
Den trådlösa enhetens kontakt och/eller skåran är smutsig.		Torka försiktigt av damm och smuts på den trådlösa enhetens kontakt och rengör skåran.
Knappen för trådlös aktivering på verktyget har inte tryckts.		Tryck kort på knappen för trådlös aktivering och försäkra dig om att lampan för trådlös aktivering blinkar blått.
Stand-by-omkopplaren på dammsugaren är inte satt på "AUTO".		Sätt dammsugarens stand-by-omkopplare på "AUTO".
Fler än 10 verktyg är registrerade till dammsugaren.		Utför verktygsregistreringen igen. Om fler än 10 verktyg är registrerade till dammsugaren, blir det verktyg som registrerades tidigast automatiskt upphävt.
Dammsugaren har raderat alla verktygsregistreringar.		Utför verktygsregistreringen igen.
Ingen strömtillförsel		Koppla in ström till verktyget och dammsugaren.
Verktyget och dammsugaren är åtskilda från varandra (utanför sändningsområdet).		Se till att verktyget och dammsugaren hamnar närmare varandra. Det maximala sändningsavståndet är ca 10 m, men det kan variera beroende på omständigheterna.
Radiostörningar från andra apparater som skapar högtintensiva radiovågor.		Håll verktyget och dammsugaren borta från apparater som WiFi-enheter och mikro vågsugnar.
Dammsugaren är igång fastän verktygets avtryckare inte är intryckt.		Andra användare använder den trådlösa aktiveringen av dammsugaren med sina verktyg.

UNDERHÅLL

⚠ FÖRSIKTIGT: Se alltid till att maskinen är avstängd och batterikassetten borttagen innan inspektion eller underhåll utförs.

OBSERVERA: Använd inte bensin, förtunningsmedel, alkohol eller liknande. Missfärgning, deformation eller sprickor kan uppstå.

För att upprätthålla produktens SÄKERHET och TILLFÖRLITLIGHET bör allt underhålls- och justeringsarbete utföras av ett auktoriserat Makita servicecenter och med reservdelar från Makita.

Rengöring av ventilationsöppningar

Håll maskinen och luftventilerna rena. Rengör maskinens ventiler regelbundet eller så snart ventilationen försämras.

► Fig.44: 1. Utblås 2. Inlopp

Ta bort dammskyddet från ventilationsinloppet och rengör det för jämn luftcirkulation.

► Fig.45: 1. Dammkåpa

OBSERVERA: Rengör dammskyddet när det är igensatt med damm eller främmande material. Om du fortsätter att använda maskinen med ett igensatt dammskydd kan den skadas.

VALFRIA TILLBEHÖR

⚠ FÖRSIKTIGT: Följande tillbehör eller tillsatser rekommenderas för användning med den Makita-maskin som denna bruksanvisning avser. Om andra tillbehör eller tillsatser används kan det uppstå risk för personskador. Använd endast tillbehören eller tillsatserna för de syften de är avsedda för.

Kontakta ditt lokala Makita servicecenter om du behöver ytterligare information om dessa tillbehör.

- Makitas originalbatteri och -laddare

► Fig.46

	Modell med 100 mm	Modell med 115 mm	Modell med 125 mm
1		Grepp 36	
2		Sprängskydd (för slipskiva)	
3		Inre fläns	
4		Försänkt navrondell/lamellskiva	
5		Låsmutter	
6		Stödplatta	
7		Flexibel rondell	
8	Inre fläns och gummiplatta 76	Gummiplatta 100	Gummiplatta 115
9		Sliprondell	
10		Låsmutter för slipning	
11		Skivstålborste	
12		Skålformad stålborste	
13		Sprängskydd (för kapskiva) *1	
14		Kap-/diamantskiva	
15		Dammuppsamlande sprängskydd	
-		Tappnyckel för låsmutter	

OBS: *1 I vissa europeiska länder kan det vanliga sprängskyddet användas tillsammans med diamantskivan istället för det speciella sprängskyddet som täcker båda sidorna av skivan. Följ föreskrifterna i ditt land.

OBS: Några av tillbehören i listan kan vara inkluderade i maskinpaketet som standardtillbehör. De kan variera mellan olika länder.

TEKNISKE DATA

Modell:	GA027G	GA028G	GA029G	GA030G	GA031G	GA032G
Hjuldiameter	100 mm (4")	115 mm (4-1/2")	125 mm (5")	100mm (4")	115 mm (4-1/2")	125 mm (5")
Maks. hjultrykkelse	6,4 mm	7,2 mm		6,4 mm	7,2 mm	
Spindelgjenger	M10	M14 eller 5/8" (landsspesifikk)		M10	M14 eller 5/8" (landsspesifikt)	
Angitt hastighet (n)	8 500 min ⁻¹					
Total lengde	med BL4025		413 mm			
	med BL4040		425 mm			
Nettovekt	2,9 – 3,4 kg	3,0 – 3,6 kg	3,0 – 4,5 kg	2,8 – 3,4 kg	2,9 – 3,6 kg	3,0 – 4,4 kg
Merkespenning	DC 36 V - 40 V maks					

- På grunn av vårt kontinuerlige forsknings- og utviklingsprogram kan spesifikasjonene som oppgis i dette dokumentet endres uten varsel.
- Spesifikasjonene kan variere fra land til land.
- Vekten kan variere avhengig av tilbehøret/tilbehørene, inkludert batteriet. Den letteste og tyngste kombinasjonen, i henhold til EPTA-prosedyre 01/2014, vises i tabellen.

Passende batteri og lader

Batteriinnsett	BL4025 / BL4040
Lader	DC40RA

- Noen av batteriene og laderne som er opplistet ovenfor er kanskje ikke tilgjengelige, avhengig av hvor du bor.

⚠ ADVARSEL: Bruk kun de batteriene og laderne som er opplistet ovenfor. Bruk av andre batterier og ladere kan føre til personskader og/eller brann.

Riktig bruk

Verktøyet er beregnet på sliping, pussing, stålborsting og kutting av metall og steinmaterialer uten bruk av vann.

Støy

Typisk A-vektet lydtryknivå er bestemt i henhold til EN60745-2-3:

Modell	Lydtryknivå (L _{pa}): (dB(A))	Lydeffektnivå (L _{wa}): (dB(A))	Usikkerhet (K): (dB(A))
GA027G	81	92	3
GA028G	81	92	3
GA029G	82	93	3
GA030G	81	92	3
GA031G	81	92	3
GA032G	82	93	3

MERK: Den/de oppgitte verdien(e) for genererte vibrasjoner har blitt målt i henhold til standard testmetoder, og kan bli brukt til å sammenligne ett verktøy med et annet.

MERK: Den/de angitte verdien(e) for de genererte vibrasjonene kan også brukes til en foreløpig vurdering av eksponeringen.

⚠ADVARSEL: Bruk hørselsvern.

⚠ADVARSEL: De genererte vibrasjonene ved faktisk bruk av elektroverktøyet kan avvike fra den/de angitte vibrasjonsverdien(e), avhengig av hvordan verktøyet brukes.

⚠ADVARSEL: Sørg for å identifisere vernetiltak for å beskytte operatøren, som er basert på et estimat av eksponeringen under de faktiske bruksforholdene (idet det tas hensyn til alle deler av driftssyklusen, dvs. hvor lenge verktøyet er slått av, hvor lenge det går på tomgang og hvor lenge startbryteren faktisk holdes trykket).

Vibrasjoner

Den totale vibrasjonsverdien (triaksial vektorsum) bestemt i henhold EN60745-2-3:

Arbeidsmåte: Overflatesliping med normalt støttehåndtak

Modell	Generert vibrasjon ($a_{h, AG}$) : (m/s ²)	Usikkerhet (K): (m/s ²)
GA027G	4,5	1,5
GA028G	5,0	1,5
GA029G	6,0	1,5
GA030G	4,5	1,5
GA031G	5,0	1,5
GA032G	6,0	1,5

Arbeidsmåte: Overflatesliping med vibrasjonssikkert støttehåndtak

Modell	Generert vibrasjon ($a_{h, AG}$) : (m/s ²)	Usikkerhet (K): (m/s ²)
GA027G	4,5	1,5
GA028G	5,0	1,5
GA029G	6,5	1,5
GA030G	4,5	1,5
GA031G	5,0	1,5
GA032G	6,5	1,5

Arbeidsmåte: Plansliping med normalt støttehåndtak

Modell	Generert vibrasjon ($a_{h, AG}$) : (m/s ²)	Usikkerhet (K): (m/s ²)
GA027G	2,5 m/s ² eller mindre	1,5
GA028G	2,5	1,5
GA029G	3,0	1,5
GA030G	2,5 m/s ² eller mindre	1,5
GA031G	2,5	1,5
GA032G	3,0	1,5

Arbeidsmåte: Plansliping med vibrasjonssikkert støttehåndtak

Modell	Generert vibrasjon ($a_{h, AG}$) : (m/s ²)	Usikkerhet (K): (m/s ²)
GA027G	2,5 m/s ² eller mindre	1,5
GA028G	2,5	1,5
GA029G	3,0	1,5
GA030G	2,5 m/s ² eller mindre	1,5
GA031G	2,5	1,5
GA032G	3,0	1,5

MERK: Den/de oppgitte verdien(e) for totalt genererte vibrasjoner har blitt målt i henhold til standard testmetoder, og kan bli brukt til å sammenligne ett verktøy med et annet.

MERK: Den/de angitte verdien(e) for totalt genererte vibrasjoner kan også brukes til en foreløpig vurdering av eksponeringen.

⚠ ADVARSEL: De genererte vibrasjonene ved faktisk bruk av elektroverktøyet kan avvike fra den/angitte vibrasjonsverdien(e), avhengig av hvordan verktøyet brukes og spesielt i forhold til arbeidsstykket som blir behandlet.

⚠ ADVARSEL: Sørg for å identifisere vernetiltak for å beskytte operatøren, som er basert på et estimat av eksponeringen under de faktiske bruksforholdene (idet det tas hensyn til alle deler av driftslyklusen, dvs. hvor lenge verktøyet er slått av, hvor lenge det går på tomgang og hvor lenge startbryteren faktisk holdes trykket).

⚠ ADVARSEL: Den oppgitte verdien for genererte vibrasjoner brukes for hovedbruksområdene for elektroverktøyet. Hvis verktøyet brukes til andre formål, kan verdien for de genererte vibrasjonene være en annen.

EFs samsvarserklæring

Gjelder kun for land i Europa

EFs samsvarserklæring er lagt til som vedlegg A i denne bruksanvisningen.

SIKKERHETSADVARSEL

Generelle advarsler angående sikkerhet for elektroverktøy

⚠ ADVARSEL: Les alle sikkerhetsadvarsler, instruksjoner, illustrasjoner og spesifikasjoner som følger med dette elektroverktøyet. Hvis ikke alle instruksjonene nedenfor følges, kan det forekomme elektrisk støt, brann og/eller alvorlig skade.

Oppbevar alle advarsler og instruksjoner for senere bruk.

Uttrykket «elektrisk verktøy» i advarslene refererer både til elektriske verktøy (med ledning) tilkoblet strømmenettet, og batteridrevne verktøy (uten ledning).

Sikkerhetsadvarsler for trådløs slipeskive

Vanlige sikkerhetsadvarsler for sliping, pussing, stålborsting og kapping :

1. Dette elektriske verktøyet er beregnet for sliping, pussing, stålborsting og kapping. Les alle sikkerhetsadvarsler, instruksjoner, illustrasjoner og spesifikasjoner som følger med dette elektroverktøyet. Hvis ikke alle instruksjonene nedenfor følges, kan det forekomme elektrisk støt, brann og/eller alvorlig skade.
2. Polering bør ikke utføres med dette verktøyet. Bruk av verktøyet til noe annet enn det er beregnet for, kan medføre fare og forårsake personskade.
3. Ikke bruk tilbehør som ikke er spesielt beregnet og anbefalt av verktøyprodusenten. Det at tilbehøret kan monteres på verktøyet, betyr ikke at det er trygt å bruke.
4. Angitt hastighet for tilbehøret må være minst like høy som største angitte hastighet på elektroverktøyet. Tilbehør som kjøres med større hastighet enn det som er angitt, kan gå i stykker og slynges ut.
5. Den ytre diameteren og tykkelsen på tilbehøret må ligge innenfor den angitte kapasiteten for elektroverktøyet. Tilbehør i feil størrelse kan ikke sikres eller kontrolleres fullgodt.

6. Gjenget montering av tilbehør må samsvare med gjengen på sliperen. For tilbehør montert med flenser, må spindelhullet på tilbehøret passe til med diameteren på flensen. Tilbehør som ikke passer til monteringsmekanismen på verktøyet vil komme ut av balanse, vibrere sterkt og kan forårsake at du mister kontrollen.
7. Ikke bruk skadet tilbehør. Før bruk må du undersøke om tilbehør som slipeskiver har hakk eller sprekker, om bakrondeller har sprekker eller er slitt og om stålborster har løse eller ødelagte tråder. Hvis det elektriske verktøyet eller tilbehøret mistes, må du undersøke om det har oppstått skade og eventuelt skifte det ut med uskadd tilbehør. Når et tilbehør er undersøkt og montert, skal du plassere deg selv og andre utenfor tilbehørets rotasjonsplan og kjøre verktøyet på maksimal hastighet, uten belastning, i ett minutt. Skadd tilbehør vil vanligvis gå i stykker i løpet av en slik test.
8. Bruk personlig verneutstyr. Avhengig av bruksområdet, må du bruke visir eller vernebriller. Bruk etter behov støvmaske, hørselsvern, hansker og beskyttelsesdekke som kan stoppe små slipepartikler eller fragmenter fra arbeidsstykket. Øyevernet må kunne stoppe flygende biter som oppstår under ulike operasjoner. Støvmasken eller åndedrettsvernet må kunne filtrere ut partikler som oppstår under arbeidet. Kraftig lyd over lengre tid kan forårsake redusert hørsel.
9. Hold andre på trygg avstand fra arbeidsområdet. Alle som beveger seg inn i arbeidsområdet må bruke personlig verneutstyr. Fragmenter fra arbeidsstykket eller fra skadet tilbehør kan slynges ut og forårsake skade utenfor det nære arbeidsområdet.
10. Hold maskinen kun i det isolerte håndtaket, når skjæreverktøyet kan komme i kontakt med skjulte ledninger under arbeidet. Kontakt med en strømførende ledning kan føre til at metalldelene på det elektriske verktøyet også blir strømførende og kan gi brukeren elektrisk støt.
11. Ikke legg ned elektroverktøyet for tilbehøret har stoppet helt. Det roterende tilbehøret kan få feste i overflaten og trekke elektroverktøyet ut av kontroll.
12. Ikke kjør elektroverktøyet når du bærer det langs siden. Utilsiktet kontakt med roterende tilbehør kan føre til at det fester i klærne og trekkes inn mot kroppen.
13. Rengjør verktøyets luftventiler regelmessig. Motorens vifte trekker støv inn i verktøyhuset og mye oppsamlet metallstøv kan medføre elektrisk fare.
14. Ikke bruk elektroverktøyet nær brennbare materialer. Gnister kan antenne slike materialer.
15. Ikke bruk tilbehør som krever kjølevæske. Bruk av vann eller andre kjølevæsker kan føre til elektrisk støt.

Tilbakeslag og relaterte advarssler

Tilbakeslag er en plutselig reaksjon på en klemt eller fastsittende skive, bakrondeill, børste eller annet tilbehør. Fastklemming forårsaker plutselig stopp av det roterende tilbehøret, noe som i sin tur gjør at det ukontrollerbare elektroverktøyet kastes i motsatt retning av tilbehørets rotasjonsretning ved fastklemmingspunktet. Hvis for eksempel en slipeskive klemmes eller hektes fast i arbeidsemnet, kan kanten på skiven som er fastklemt, grave seg inn i overflaten på materialet og føre til at skiven graver seg ut eller slås ut. Skiven kan enten sprette mot eller vekk fra operatøren, avhengig av rotasjonsretningen på skiven når den klemmes fast. Slipeskiver kan også knekke under slike forhold.

Tilbakeslag er et resultat av at elektroverktøyet misbrukes og/eller brukes på feil måte eller under feil forhold, og kan unngås ved å ta de nødvendige forholdsreglene som beskrives under.

1. **Hold godt fast i verktøyet og plasser kroppen og armen din slik at du kan motstå kreftene i et tilbakeslag. Bruk alltid hjelpehåndtak når det følger med, for å få best mulig kontroll over tilbakeslag eller dreiemomentkontrollen ved oppstart.** Operatøren kan kontrollere dreiemomentreaksjonen eller tilbakeslagskreftene hvis de riktige forholdsreglene tas.
2. **Legg aldri hånden nær det roterende tilbehøret.** Tilbehøret kan slå tilbake over hånden.
3. **Ikke plasser kroppen i det området elektroverktøyet kan slå tilbake i.** Tilbakeslag gjør at verktøyet slås i motsatt retning av skivens bevegelse når den blir sittende fast.
4. **Vær spesielt forsiktig under arbeid med hjørner, skarpe kanter osv. Unngå å la tilbehøret sprette eller hugge.** Hjørner, skarpe kanter eller støt har en tendens til å klemme fast det roterende tilbehøret og forårsake tap av kontrollen eller tilbakeslag.
5. **Ikke monter et sagkjedeblad for treskjæring eller et tannet sagblad.** Slike blader gir ofte tilbakeslag og mangel på kontroll.

Spesifikke sikkerhetsadvvarssler for sliping og kapping :

1. **Bruk bare skiver som er anbefalt for elektroverktøyet.** Skiver som ikke er beregnet for verktøyet, kan ikke sikres godt nok og er utrygge.
2. **Slippeoverflaten til skivene med forsenket nav** må monteres under planet til vernet. En feilmontert skive som stikker gjennom planet for vernet kan ikke tilstrekkelig beskyttes.
3. **Vernet må være ordentlig festet til verktøyet og plasseres slik at det gir størst mulig sikkerhet og slik at minst mulig av skiven vender mot brukeren.** Vernet bidrar til å beskytte brukeren mot brukne skivefragmenter og utilsikket kontakt med skiven og mot gnister som kan antenne klær.
4. **Skiver må bare brukes slik det er anbefalt. For eksempel: Ikke slip med siden av en kappeskiye.** Kappeskiver for pussing er bare beregnet for periferisk pussing. Sidekrefter mot disse skivene kan knuse dem.
5. **Bruk alltid uskadede skiveflenser med riktig størrelse og form for skiven du har valgt.** Riktige skiveflenser støtter skiven og reduserer muligheten for skivebrudd. Skiveflenser for kappeskiye kan være forskjellige fra skiveflenser for slipeskiver.

6. **Ikke bruk utslitte skiver fra større elektroverktøytøy.** Skiver fra større elektroverktøyt passer ikke for den høyere hastigheten til mindre verktøyt og kan sprekke.

Ekstra sikkerhetsadvvarssler for kapping :

1. **Ikke «klemt fast» den avskårne skiven eller legg sterkt press på den. Ikke forsøk å kutte svært dypt.** For mye press på skiven øker belastningen og sjansen for at skiven vrir eller setter seg fast under kutting, samt at det øker sjansen for tilbakeslag eller at skiven blir ødelagt.
2. **Ikke plasser deg på linje med og bak den roterende skiven.** Når skiven beveger seg bort fra deg ved bruksstedet, kan et mulig tilbakeslag drive den roterende skiven og verktøyet rett mot deg.
3. **Når skiven fastklemmes eller du ønsker å avbryte kappingen, må du slå av verktøyet og holde det i ro til skiven har stoppet helt. Du må aldri forsøke å trekke kuttet skive ut av kuttet mens skiven er i bevegelse. Det kan føre til tilbakeslag.** Undersøk årsaken til at skiven setter seg fast, og rett opp feilen.
4. **Ikke start kappingen på nytt mens skiven står i arbeidsemnet. La skiven få full hastighet og sett den forsiktig i kuttet.** Skiven kan sette seg fast, bli trukket oppover eller gi tilbakeslag hvis det elektriske verktøyet startes på nytt i arbeidsemnet.
5. **Støtt opp plater eller store arbeidsemner for å minimere muligheten for fastklemming eller tilbakeslag.** Store arbeidsemner har en tendens til å synke under sin egen vekt. Det må plasseres støtter under arbeidsemnet nært kuttlinjen og nært kanten på arbeidsemnet på begge sider av skiven.
6. **Vær ekstra forsiktig når du lager «hull» i eksisterende vegger eller andre områder uten innsyn.** Skiven som stikker ut, kan kutte gass- eller vannrør, elektriske ledninger eller objekter som kan forårsake tilbakeslag.

Spesielle sikkerhetsadvvarssler for pussing:

1. **Ikke bruk alt for stort smergelpapir. Følg produsentens anbefalinger når du velger pussepapir.** Stort papir som stikker utenfor pusseputen, kan forårsake oppriving og føre til slitasje eller tilbakeslag på skiven.

Spesielle sikkerhetsadvvarssler for stålborsting:

1. **Vær oppmerksom på at metalltråder kan løsne fra børsten også ved vanlig bruk. Ikke overbelast metalltrådene ved å legge ekstra trykk på børsten.** Metalltrådene kan lett trenge gjennom tynne klær og hud.
2. **Hvis det anbefales bruk av vern ved stålborsting, må du all unngå kontakt mellom stålborsteskiven eller børsten og vernet.** Stålskiver eller børster kan utvide seg på grunn av arbeidsbelastningen og sentrifugalkreftene.

Ekstra sikkerhetsadvvarssler:

1. **Når du bruker slipeskiver med forsenket nav, må du passe på bare å bruke glassfiberarmerte skiver.**
2. **BRUK ALDRI denne vinkelsliperen med slipeskiver av typen Stone Cup.** Denne vinkelsliperen er ikke konstruert for denne typen hjul, og bruk av et slikt produkt kan resultere i alvorlige helseskader.

3. Vær forsiktig så du ikke ødelegger spindelens flensen (særlig monteringsflaten) eller låsemutteren. Skade på disse delene kan resultere i at skiven brykker.
4. Forviss deg om at skiven ikke har kontakt med arbeidsstykket før startbryteren er slått på.
5. Før du begynner å bruke maskinen på et arbeidsstykke, bør du la den gå en liten stund. Se etter vibrasjoner eller vingling som kan tyde på at skiven er dårlig balansert.
6. Bruk den angitte overflaten av skiven til å utføre slipingen.
7. Ikke gå fra verktøyet mens det er i gang. Verktøyet må bare brukes mens operatøren holder det i hendene.
8. Ikke berør arbeidsstykket umiddelbart etter bruk. Det kan være ekstremt varmt og kan gi deg brannskader.
9. Ikke berør tilbehør umiddelbart etter bruk. De kan være ekstremt varme og kan gi deg brannskader.
10. Følg produsentens anvisninger for korrekt montering og bruk av skiver. Håndter og oppbevar skivene forsiktig.
11. Ikke bruk separate reduksjonsbøssinger eller adaptere for å tilpasse slipeskiver med store hull.
12. Bruk bare flenser som er spesifisert for dette verktøyet.
13. For maskiner som er beregnet på å bli utstyrt med gjengehullsskive, må du forvise deg om at gjengen i hullet er lang nok til å passe til spindelengden.
14. Forviss deg om at arbeidsstykket står støtt.
15. Ta hensyn til at skiven fortsetter å rotere etter at maskinen er slått av.
16. Hvis arbeidsplassen er ekstremt varm og fuktig, eller svært forurenset med elektrisk ledende støv, må du bruke en kortslutningsbryter (30 mA) for å ivareta operatørens sikkerhet.
17. Ikke bruk maskinen på materialer som inneholder asbest.
18. Når du bruker kappeskiven, må du alltid bruke beskyttelseskappen med støvoppsamler, slik lokale bestemmelser krever.
19. Kappeskiver må ikke utsettes for trykk fra siden.
20. Ikke bruk tekstilhansker når du bruker maskinen. Fibre fra tekstilhanskene kan komme inn i maskinen noe som kan føre til brudd i maskinen.

TA VARE PÅ DISSE INSTRUKSENE.

⚠ ADVARSEL: IKKE LA hensynet til hva som er "behagelig" eller det faktum at du kjenner produktet godt (etter mange gangers bruk) gjøre deg mindre oppmerksom på sikkerhetsreglene for bruken av det aktuelle produktet. Ved MISBRUK eller hvis ikke sikkerhetsreglene i denne bruksanvisningen følges, kan det oppstå alvorlig personskade.

Viktige sikkerhetsanvisninger for batteriinnsetts

1. Før du begynner å bruke batteriet, må du lese alle anvisninger og forsiktighetsregler på (1) batteriladere, (2) batteriet og (3) det produktet batteriet skal brukes i.
2. Ikke demonter eller tukle batteriet. Det kan føre til brann, overoppheting eller eksplosjon.
3. Hvis driftstiden er blitt vesentlig kortere, må du omgående slutte å bruke maskinen. Hvis ikke kan resultatet bli overoppheting, mulige forbrenninger eller til og med en eksplosjon.
4. Hvis du får elektrolytt i øynene, må du skylle dem med store mengder rennende vann og oppsøke lege med én gang. Denne typen uhell kan føre til varig blindhet.
5. Ikke kortslett batteriet:
 - (1) De kan være ekstremt varme og du kan brenne deg.
 - (2) Ikke lagre batteriet i samme beholder som andre metallgjenstander, som for eksempel spiker, mynter osv.
 - (3) Ikke la batteriet komme i kontakt med vann eller regn.
 En kortslutning av batteriet kan føre til et kraftig strømstøt, overoppheting, mulige forbrenninger og til og med til at batteriet går i stykker.
6. Ikke oppbevar og bruk verktøyet og batteriet på steder hvor temperaturen kan komme opp i eller overskride 50 °C.
7. Ikke sett fyr på batteriet, ikke engang om det er sterkt skadet eller helt utslitt. Batteriet kan eksplodere hvis det begynner å brenne.
8. Du må ikke spikre, skjære, klemme, kaste eller miste batteriet, og heller ikke slå en hard gjenstand mot batteriet. En slik oppførsel kan føre til brann, overoppheting eller eksplosjon.
9. Ikke bruk batterier som er skadet.
10. Lithium-ion-batteriene som medfølger er gjenstand for krav om spesialavfall. For kommersiell transport, f.eks av tredjeparter eller speditører, må spesielle krav om pakking og merking følges. Før varen blir sendt, må du forhøre deg med en ekspert på farlig materiale. Ta også hensyn til muligheten for mer detaljerte nasjonale bestemmelser. Bruk teip eller maskeringsteip for å skjule åpne kontakter og pakk inn batteriet på en slik måte at den ikke kan bevege seg rundt i emballasjen.
11. Når du kasserer batteriinnsettsen, må du ta den ut av verktøyet og avhende den på et sikkert sted. Følg lokale bestemmelser for avhending av batterier.
12. Bruk batteriene kun med produkter spesifisert av Makita. Montere batteriene i produkter som ikke er konforme kan føre til brann, overheting eller elektrolyttlekkasje.
13. Hvis verktøyet ikke skal brukes over en lengre periode, må batteriet tas ut av verktøyet.
14. Under og etter bruk kan batteriet bli varmt og før til brannskader. Vær forsiktig med håndteringen av varme batterier.

15. Ikke berør terminalen på verktøyet rett etter bruk, da den kan bli varm og forårsake brannskader.
16. Ikke la spon, støv eller jord sette seg fast i terminalene, hullene og sporene i batteriet. Det kan føre til dårlig ytelse eller at verktøyet eller batteriet slutter å fungere.
17. Med mindre verktøyet støtter bruk nær en høyspent strømlinje, skal ikke batteriet brukes nær en høyspent strømlinje. Det kan føre til en funksjonsfeil eller at verktøyet eller batteriet slutter å fungere.
10. Den trådløse enheten er presisjonsinstrument. Vær forsiktig så du ikke mister eller utsetter den trådløse enheten for slag.
11. Unngå å berøre den trådløse enhetens tilkoblingspunkt med ubeskyttede hender eller metallmaterialer.
12. Du må alltid ta batteriet ut av produktet når du skal installere den trådløse enheten.
13. Når du skal åpne sporets lokk, må du unngå steder der støv og vann kan trenge inn i sporet. Du må alltid sørge for at sporets innløp er rent.
14. Sett alltid den trådløse enheten inn i riktig retning.
15. Ikke trykk for hardt på trådløse aktiveringsknappen på den trådløse enheten, og trykk heller ikke på knappen med en gjenstand med skarp kant.
16. Du må alltid lukke sporets lokk under bruk.
17. Ikke fjern den trådløse enheten fra sporet mens verktøyet forsynes med strøm. Det kan føre til en funksjonsfeil i den trådløse enheten.
18. Ikke fjern klebemerket på den trådløse enheten.
19. Ikke sett klebemerker på den trådløse enheten.
20. Ikke etterlat den trådløse enheten på et sted der det kan genereres statisk elektrisitet eller elektrisk støy.
21. Ikke etterlat den trådløse enheten på et sted der den kan utsettes for mye varme, som i en bil som er parkert i solen.
22. Ikke etterlat den trådløse enheten på et sted med mye støv eller pulver, eller på et sted der det kan genereres korroderende gass.
23. En plutselig temperaturendring kan få den trådløse enheten til å dugges. Ikke bruk den trådløse enheten før duggen har tørket helt bort.
24. Når du rengjør den trådløse enheten, tørker du forsiktig av den med en tørr, myk klut. Ikke bruk bensin, tynner, ledende fett eller lignende.
25. Når den trådløse enheten skal lagres, oppbevares den i esken som følger med eller en beholder som ikke er statisk.
26. Ikke sett andre enheter med Makitas trådløse enhet inn i sporet på verktøyet.
27. Ikke bruk verktøyet hvis sporets lokk er skadet. Vann, støv om smuss som trenger inn i sporet kan føre til funksjonsfeil.
28. Ikke dra i og/eller vri sporets lokk mer enn nødvendig. Sett lokket tilbake på plass hvis det løsner fra verktøyet.
29. Erstatt sporets lokk hvis det går tapt eller blir skadet.

TA VARE PÅ DISSE INSTRUKSENE.

⚠️ FORSIKTIG: Bruk kun originale Makita-batterier. Bruk av batterier som har endret seg, eller som ikke er originale Makita-batterier, kan føre til at batteriet sprekker og forårsaker brann, personskader og andre skader. Det vil også ugyldiggjøre garantien for Makita-verktøyet og -laderen.

Tips for å opprettholde maksimal batterilevetid

1. Lad batteriinnsetsen før den er helt utladet. Stopp alltid driften av verktøyet og lad batteriinnsetsen når du merker at effekten reduseres.
2. Lad aldri en batteriinnsets som er fulladet. Overopplading forkorter batteriets levetid.
3. Lad batteriet i romtemperatur ved 10 °C - 40 °C. Et varmt batteri må kjøles ned før lading.
4. Når batteriet ikke er bruk, skal det tas ut av verktøyet eller laderen.
5. Lad batteriet hvis det ikke har vært brukt på en lang stund (over seks måneder).

Viktige sikkerhetsanvisninger for trådløs enhet

1. Du må ikke demontere eller tukle med den trådløse enheten.
2. Hold den trådløse enheten unna små barn. Hvis enheten ved et uheld svelges, skal lege kontaktes umiddelbart.
3. Den trådløse enheten skal kun brukes med Makita-verktøy.
4. Ikke utsett den trådløse enheten for regn eller fuktighet.
5. Ikke bruk den trådløse enheten på steder den temperaturen overskrider 50 °C.
6. Ikke bruk den trådløse enheten på steder der medisinsk utstyr, som pacemakere, er i nærheten.
7. Ikke bruk den trådløse enheten på steder der automatiserte enheter er i nærheten. Hvis automatisert enheter tas i bruk, kan det oppstå en funksjonssvikt eller feil.
8. Ikke bruk den trådløse enheten på steder med høye temperaturer eller der det kan genereres statisk elektrisitet eller elektrisk støy.
9. Den trådløse enheten kan skape elektromagnetiske felt (EMF), men de er ikke skadelige for brukeren.

TA VARE PÅ DISSE INSTRUKSENE.

FUNKSJONS BESKRIVELSE

⚠ FORSIKTIG: Forviss deg alltid om at maskinen er slått av og batteriet tatt ut før du justerer maskinen eller kontrollerer dens mekaniske funksjoner.

Sette inn eller ta ut batteri

⚠ FORSIKTIG: Slå alltid av verktøyet før du setter inn eller fjerner batteriet.

⚠ FORSIKTIG: Hold verktøyet og batteripatronen i et fast grep når du monterer eller fjerner batteripatronen. Hvis du ikke holder verktøyet og batteripatronen godt fast, kan du miste grepet, og dette kan føre til skader på verktøyet og batteripatronen samt personskafer.

► **Fig.1:** 1. Rød indikator 2. Knapp 3. Batteriinnstans

For å ta ut batteriet må du skyve på knappen foran på batteriet og trekke det ut.

Når du skal sette inn batteriet, må du plassere tungen på batteriet på linje med sporet i huset og skyve batteriet på plass. Skyv det helt inn til det går i inngrep med et lite klikk. Hvis du kan se den røde anviseren på oversiden av knappen, er det ikke fullstendig låst.

⚠ FORSIKTIG: Batteriet må alltid settes helt inn, så langt at den røde anviseren ikke lenger er synlig. Hvis dette ikke gjøres, kan batteriet komme til å falle ut av maskinen og skade deg eller andre som oppholder seg i nærheten.

⚠ FORSIKTIG: Ikke bruk makt når du setter i batteriet. Hvis batteriet ikke gli lett inn, er det fordi det ikke settes inn på riktig måte.

Indikere gjenværende batterikapasitet

Trykk på sjekk-knappen på batteriet for vise gjenværende batterikapasitet. Indikatorlampene lyser i et par sekunder.

► **Fig.2:** 1. Indikatorlamper 2. Kontrollknapp

Indikatorlamper			Gjenværende batterinivå
Tent	Av	Bliker	
			75 % til 100 %
			50 % til 75 %
			25 % til 50 %
			0 % til 25 %
			Lad batteriet.
			Batteriet kan ha en feil.

MERK: Det angitte nivået kan avvike noe fra den faktiske kapasiteten alt etter bruksforholdene og den omgivende temperaturen.

Batterivernsystem for verktøy/batteri

Verktøyet er utstyrt med et batterivernsystem for verktøy/batteri. Dette systemet kutter automatisk strømmen til motoren for å forlenge verktøyet og batteriets levetid. Verktøyet stopper automatisk under drift hvis verktøyet eller batteriet utsettes for en av følgende tilstander:

Overlastsikring

Når verktøyet/batteriet brukes på en måte som gjør at det bruker unormalt mye strøm, vil verktøyet stoppe automatisk og uten forvarsel. Hvis dette skjer, må du slå av verktøyet og avslutte bruken som forårsaket at verktøyet ble overbelastet. Slå deretter verktøyet på for å starte det igjen.

Overopphetingsvern

Når verktøyet/batteriet er overopphetet, stopper verktøyet automatisk. La verktøyet kjøle seg ned før du slår på verktøyet igjen.

Overutladningsvern

Når det blir batterikapasiteten er utilstrekkelig, stopper verktøyet automatisk. I så fall fjerner du batteriet fra verktøyet og lader det.

Koble ut beskyttelseslåsen

Når vernsystemet virker gjentatte ganger låses verktøyet.

Hvis dette skjer, vil ikke verktøyet starte, selv om det slås av og på. Beskyttelseslåsen kan kobles ut ved å ta ut batteriet, sette det i batteriladeren og vente til det er ferdig ladet.

Spindellås

Trykk på spindellåsen for å forhindre spindelrotasjon når du monterer eller fjerner tilbehør.

► **Fig.3:** 1. Spindellås

OBS: Du må aldri aktivere spindellåsen mens spindelen beveger seg. Dette kan skade verktøyet.

Bryterfunksjon

⚠ FORSIKTIG: Før du setter batteriet i verktøyet, må du kontrollere at bryterspaken beveger seg riktig og går tilbake til posisjonen "AV" når den slippes.

⚠ FORSIKTIG: Av hensyn til din egen sikkerhet er dette verktøyet utstyrt med en AV-sperrehendel som forhindrer utilsiktet start av verktøyet. Du må ALDRI bruke verktøyet hvis det starter når du trekker i bryterspaken uten at du også må trekke i AV-sperrehendelen. Lever verktøyet til et autorisert serviceverksted for å få det reparert FØR videre bruk.

⚠ FORSIKTIG: Ikke trekk hardt i bryterspaken uten å trekke i av-sperreknappen. Dette kan få bryteren til å brette.

⚠ FORSIKTIG: AV-sperrehendelen må ALDRI holdes inne med tape, og den må ALDRI settes ut av funksjon.

► Fig.4: 1. AV-sperrehendel 2. Bryterspak

For å hindre at bryterspaken trykkes ved et ulykkestilfelle er maskinen utstyrt med en av-sperreknapp. For å starte verktøyet må du trekke av-sperrehendelen mot operatøren og deretter trykke på bryteren. Du stanser verktøyet ved å slippe bryterspaken.

Hastighetsinnstillingshjul

Maskinens rotasjonshastighet kan endres ved å dreie på hastighetsinnstillingshjulet. Tabellen nedenfor hvis tallet på innstillingshjulet og den tilsvarende rotasjonshastigheten.

► Fig.5: 1. Hastighetsinnstillingshjul

Tall	Hastighet
1	3 000 min ⁻¹
2	4 500 min ⁻¹
3	6 000 min ⁻¹
4	7 500 min ⁻¹
5	8 500 min ⁻¹

OBS: Hvis maskinen brukes lenge og kontinuerlig på lav hastighet, vil motoren bli overbelastet og slutte å virke som den skal.

OBS: Når du skal bevege hastighetsinnstillingshjulet fra "5" til "1", dreier du innstillingshjulet mot klokken. Ikke bruk makt for å dreie innstillingshjulet med klokken.

Funksjon som forhindrer utilsiktet start

Når du setter i batteriet mens du trekker i bryterspaken, starter ikke verktøyet.

For å starte verktøyet må du først frigjøre bryterspaken. Deretter trekker du i av-sperreknappen og til slutt bryterspaken.

Elektronisk dreiemomentkontroll-funksjon

Verktøyet vil elektronisk oppdage situasjoner hvor skiven eller tilbehøret risikerer å sette seg fast. I dette tilfellet vil verktøyet automatisk slå seg av, for å unngå at spindelen fortsetter å rotere (det forhindrer ikke tilbakeslag).

For å starte verktøyet på nytt, må du først slå av verktøyet, fjerne årsaken til det plutselige rotasjonsfallet og deretter slå på verktøyet igjen.

Mykstartfunksjon

Funksjonen for myk start reduserer reaksjonen ved start.

Elektrisk brems

Kun for modell GA027G / GA028G / GA029G

Den elektriske bremsen aktiveres når verktøyet slås av. Bremsen fungerer ikke dersom strømtilførselen kobles ut, ved for eksempel at batteriet tas ut ved en feil, med bryteren på.

MONTERING

⚠FORSIKTIG: Forviss deg alltid om at maskinen er slått av og batteriet tatt ut før du justerer maskinen eller kontrollerer dens mekaniske funksjoner.

Montere støttehåndtak (hjelpeshåndtak)

⚠FORSIKTIG: Forviss deg alltid om at støttehåndtaket er skikkelig montert før du tar maskinen i bruk.

Skru støttehåndtaket godt fast på maskinen i den stillingen som er vist på figuren.

► Fig.6

Montere eller fjerne beskyttelseskappen

⚠ADVARSEL: Ved bruk av slipeskive med forsenket nav / klaffskive, flex-skive eller stål-børste, må skivebeskyttelsen settes på verktøyet slik at den lukkede siden av kappen vender mot operatøren.

⚠ADVARSEL: Kontroller at beskyttelseskappen er låses sikkert av sperrespaken med ett av hullene i beskyttelseskappen.

⚠ADVARSEL: Ved bruk av kappeskive/diamantskive må du forsikre deg om at du bare bruker den spesielle beskyttelseskappen som er beregnet for bruk med kappeskiver.

(I enkelte europeiske land kan det vanlige vernet brukes ved bruk av diamantskive. Følg lokale forskrifter.)

For forsenket nav, klaffskive, flex-hjul, sirkulærbørste av stål/kappeskive, diamantskive

1. Mens du skyver sperrespaken monterer du beskyttelseskappen slik at fremspringet på beskyttelseskappebåndet er innrettet med hakket i lagerboksen.

► Fig.7: 1. Sperrespak 2. Hakk 3. Fremspring

2. Mens du skyver sperrespaken mot A, skyver du inn beskyttelseskappen ved å holde nede delene B som vist i figuren.

► Fig.8: 1. Beskyttelseskappe 2. Hull

MERK: Skyv beskyttelseskappen rett ned. Ellers klarer du ikke å skyve beskyttelseskappen helt på plass.

3. Mens du holder sperrespaken og beskyttelseskappen i posisjon som beskrevet i trinn 2, roterer du beskyttelseskappen mot C, og deretter endrer du beskyttelseskappens vinkel i henhold til arbeidet.

► Fig.9: 1. Beskyttelseskappe 2. Hull

MERK: Skyv beskyttelseskappen helt på plass. Ellers klarer du ikke å rotere beskyttelseskappen.

Fjern beskyttelseskappen ved å følge monteringsfremgangsmåten i motsatt rekkefølge.

Montere eller fjerne skive med nedsenket nav eller klaffskive

Valgfritt tilbehør

⚠ ADVARSEL: Ved bruk av slipeskive med forsenket nav / klaffskive, må skivebeskyttelsen settes på verktøyet slik at den lukkede siden av kappen vender mot operatøren.

⚠ FORSIKTIG: Sørg for at monteringsdelen av den indre flensen passer perfekt inn i den indre omkretsen til den nedsenkede navet / klaffskiven. Hvis den indre flensen monteres på feil side, kan det resultere i farlig vibrasjon.

Monter den indre flensen på spindelen. Sørg for at du fester den nedsenkede delen av den indre flensen på den rettvinklede delen på bunnen av spindelen.

Sett den nedsenkede navet / klaffskiven på den indre flensen og skru låsemutteren på spindelen.

► **Fig.10:** 1. Låsemutter 2. Forsenket nav 3. Indre flens 4. Monteringsdel

Stram låsemutteren ved å trykke så kraftig på spindellåsen at spindelen ikke kan rotere, og bruk låsemutternøkkelen til å stramme mutteren godt med klokken.

► **Fig.11:** 1. Låsemutternøkkel 2. Spindellås

Fjern hjulet ved å følge installeringsfremgangsmåten i motsatt rekkefølge.

Montere eller fjerne flex-skiven

Valgfritt tilbehør

⚠ ADVARSEL: Når du bruker flex-skiven må du alltid bruke medfølgende beskyttelse. Skiven kan knuse ved bruk, og vernet bidrar til å redusere faren for helseskader.

► **Fig.12:** 1. Låsemutter 2. Flex-hjul 3. Reservepute 4. Indre flens

Følg instruksjonene for skive med nedsenket nav, men bruk også reserveputen over skiven. Se monteringsrekkefølgen på tilbehørssiden i denne håndboken.

Montere eller fjerne slipeskiven

Valgfritt tilbehør

MERK: Bruk slipetilbehør spesifisert i denne håndboken. Disse må kjøpes separat.

For 100 mm modell

► **Fig.13:** 1. Låsemutter for sliping 2. Slipeskive 3. Gummirondell 4. Indre flens

1. Monter den indre flensen på spindelen.
2. Monter gummihetten på spindelen.
3. Sett skiven på gummirondellen og skru låsemutteren for sliping på spindelen.

4. Hold spindelen med skaftlåsen og stram låsemutterne for sliping med klokken med låsemutternøkkelen.

Fjern skiven ved å følge installeringsfremgangsmåten i motsatt rekkefølge.

For 115 mm / 125 mm modell

► **Fig.14:** 1. Låsemutter for sliping 2. Slipeskive 3. Gummirondell

1. Monter gummihetten på spindelen.
2. Sett skiven på gummirondellen og skru låsemutteren for sliping på spindelen.
3. Hold spindelen med skaftlåsen og stram låsemutterne for sliping med klokken med låsemutternøkkelen.

Fjern skiven ved å følge installeringsfremgangsmåten i motsatt rekkefølge.

Montere eller demontere Ezynut

Valgfritt tilbehør

⚠ FORSIKTIG: Ikke bruk Ezynut med superflens eller vinkelsliper med "F" til slutt i modellnummeret. Disse flensene er så tykke at spindelen ikke kan holde hele det gjengede området.

► **Fig.15:** 1. Ezynut 2. Slipeskive 3. Indre flens 4. Spindel

Monter den indre flensen, slipeskiven og Ezynut på spindelen, og påse at Makita-logoen på Ezynut er vendt utover.

► **Fig.16:** 1. Spindellås

Press aksellåsen godt på og stram Ezynut ved å dreie slipeskiven/ så langt som mulig med klokken.

Drei den utvendige ringen på Ezynut moturs for å løsne.

► **Fig.17:** 1. Pål 2. Fordypning

► **Fig.18**

MERK: Du kan løsne Ezynut for hånd så lenge pilen peker mot innsnittet. Ellers må du bruke en låsemutternøkkel for å løsne den. Sett én stift på nøkkelen i et hull og drei Ezynut moturs.

Installere en kappeskive/ diamantskive

Valgfritt tilbehør

⚠ ADVARSEL: Ved bruk av kappeskive/diamantskive må du forsikre deg om at du bare bruker den spesielle beskyttelseskappen som er beregnet for bruk med kappeskiver.

(I enkelte europeiske land kan det vanlige vernet brukes ved bruk av diamantskive. Følg lokale forskrifter.)

⚠ ADVARSEL: IKKE bruk kappeskiver til sideveis sliping.

► **Fig.19:** 1. Låsemutter 2. Slipende kappeskive/ diamantskive 3. Indre flens 4. Skivevern for slipende kappeskive/diamantskive

Når det gjelder installasjonen, må du følge anvisningene for nedsenket nav.

Monteringsretningen for låsemutteren og den indre flensen varierer med skivetype og -tykkelse.

Se følgende figurer.

For 100 mm modell

Når du installerer det slipende kapphullet:

- **Fig.20:** 1. Låsemutter 2. Slipende kapphjul (tynnere enn 4 mm) 3. Slipende kapphjul (4 mm eller tykkere) 4. Indre flens

Når du installerer diamanthjulet:

- **Fig.21:** 1. Låsemutter 2. Diamanthjul (tynnere enn 4 mm) 3. Diamanthjul (4mm eller tykkere) 4. Indre flens

For 115 mm / 125 mm modell

Når du installerer det slipende kapphullet:

- **Fig.22:** 1. Låsemutter 2. Slipende kapphjul (tynnere enn 4 mm) 3. Slipende kapphjul (4 mm eller tykkere) 4. Indre flens

Når du installerer diamanthjulet:

- **Fig.23:** 1. Låsemutter 2. Diamanthjul (tynnere enn 4 mm) 3. Diamanthjul (4mm eller tykkere) 4. Indre flens

Installere en koppbørsten av stål

Valgfritt tilbehør

⚠FORSIKTIG: Ikke bruk en børste som er skadet, eller som ikke er balansert. Hvis du bruker en skadet børste, kan dette øke faren for personskade ved kontakt med ødelagte børstetråder.

- **Fig.24:** 1. Koppbørste av stål

Fjern batteriet fra verktøyet og snu det opp ned for å få enkel tilgang til spindelen.

Demonter alt tilbehør fra spindelen. Monter koppbørsten av stål på spindelen og trekk til med den medfølgende nøkkelen.

Installere en sirkulærbørste av stål

Valgfritt tilbehør

⚠FORSIKTIG: Ikke bruk en skivebørste som er skadet, eller som ikke er balansert. Hvis du bruker en skadet skivebørste, kan dette øke faren for personskade ved kontakt med ødelagte børstetråder.

⚠FORSIKTIG: Bruk ALLTID beskyttelseskappen med skivebørster, og pass på at skivens diameter passer inne i beskyttelseskappen. Skiven kan knuse ved bruk, og vernet bidrar til å redusere faren for helseskader.

- **Fig.25:** 1. Sirkulærbørste av stål

Fjern batteriet fra verktøyet og snu det opp ned for å få enkel tilgang til spindelen.

Demonter alt tilbehør fra spindelen. Skru skivebørsten på spindelen og stram med nøklene.

Koble til støvsuger

Valgfritt tilbehør

⚠ADVARSEL: Bruk aldri støvsugeren på metallpartikler dannet ved sliping/skjæring/pussing. Metallpartikler dannet ved slikt arbeid er så varme at de antenner støv og filteret inne i støvsugeren.

For å hindre støvete omgivelser fra skjæring i mur, må du bruke en beskyttelseskappe med støvsamler og en støvsuger. Se brukerveiledningen festet på beskyttelseskappen med støvsamler for å sette den sammen og å bruke den.

- **Fig.26:** 1. Beskyttelseskappe med støvsamler
2. Støvsugerslange

BRUK

⚠ADVARSEL: Det er aldri nødvendig å bruke makt på verktøyet. Vekten av maskinen utøver passende trykk. Makt og for stort press kan føre til farlige brudd i skiven.

⚠ADVARSEL: Skiven må ALLTID skiftes hvis maskinen mistes under sliping.

⚠ADVARSEL: ALDRI dunk eller slå slipeskiven mot arbeidsstykket.

⚠ADVARSEL: Unngå at skiven hopper eller setter seg fast, særlig ved sliping av hjørner, skarpe kanter osv. Dette kan føre til at du mister kontrollen, og at maskinen slår tilbake mot deg.

⚠ADVARSEL: Maskinen må ALDRI brukes med skjæreblader for tre eller andre sagblader. Hvis slike blader brukes på en slipemaskin, kan de ofte føre til slag fra maskinen, slik at operatøren mister kontrollen og blir skadet.

⚠FORSIKTIG: Maskinen må aldri slås på mens den er i berøring med arbeidsstykket, da dette kan skade operatøren.

⚠FORSIKTIG: Bruk alltid vernebriller eller ansiktsmaske ved arbeid med maskinen.

⚠FORSIKTIG: Når du er ferdig å bruke maskinen må du alltid slå den av og vente til skiven har stoppet helt før du setter maskinen ned.

⚠FORSIKTIG: Ha ALLTID én hånd på selve verktøyhuset og den andre hånden på støttehåndtaket (håndtaket).

Sliping og pussing

- **Fig.27**

Slå på maskinen og sett så skiven i berøring med arbeidsstykket. Generelt skal kanten av skiven holdes i en vinkel på omtrent 15° mot overflaten av arbeidsstykket.

I innkjøringsperioden for en ny skive må slipemaskinen ikke brukes i foroverretning, da dette kan føre til at den skjærer inn i arbeidsstykket. Så snart kanten av skiven er rundet av etter å være brukt litt, kan den brukes i både forover- og bakoverretning.

Bruke kappeskive/diamantskive

Valgfritt tilbehør

⚠ ADVARSEL: Ikke «klem fast» skiven eller legg sterkt press på den. Ikke forsøk å kutte svært dypt. For mye press på skiven øker belastningen og muligheten for vridning eller fastklemming av skiven i kuttet, noe som kan føre til tilbakeslag, skivebrudd og overoppheting av motoren.

⚠ ADVARSEL: Ikke start kappingen mens skiven står i arbeidsstykket. La skiven få full hastighet og sett den forsiktig i kuttet samtidig som du beveger verktøyet fremover over overflaten på arbeidsstykket. Skiven kan sette seg fast, vandre opp eller slå tilbake hvis verktøyet startes med skiven i arbeidsstykket.

⚠ ADVARSEL: Ikke endre vinkel på skiven under bruk. Legger du sideveis press på kappeskiven (som ved pussing), kan det føre til at skiven sprekker og brytes i stykker, noe som kan føre til alvorlig personskade.

⚠ ADVARSEL: En diamantskive skal brukes vinkelrett på materialet som kuttetes.

Eksempel på bruk: med kappeskive med slipeeffekt
► Fig.28

Brukseksempel: bruk med diamantskive
► Fig.29

Bruke koppbørsten av stål

Valgfritt tilbehør

⚠ FORSIKTIG: Kontroller driften av børsten ved å kjøre verktøyet uten belastning, og forsikre deg om at ingen er foran eller ved siden av børsten.

OBS: Unngå å bruke for stort trykk, som kan føre at metalltrådene bøyes når du bruker koppbørsten av stål. Det kan føre til at de ødelegges for tidlig.

Brukseksempel: bruk med koppbørsten av stål
► Fig.30

Bruke sirkulær stålborste

Valgfritt tilbehør

⚠ FORSIKTIG: Kontroller driften av skivebørsten ved å kjøre verktøyet uten belastning, og forsikre deg om at ingen er foran eller ved siden av skivebørsten.

OBS: Unngå å bruke for stort trykk, som kan føre at metalltrådene bøyes når du bruker sirkulærbørsten av stål. Det kan føre til at de ødelegges for tidlig.

Brukseksempel: bruk med sirkulærbørste av stål
► Fig.31

TRÅDLØSAKTIVERINGSFUNKSJON

Hva du kan gjøre med trådløsaaktiveringsfunksjonen

Trådløsaaktiveringsfunksjonen muliggjør ren og behagelig bruk. Hvis du kobler en støttet støvsuger til verktøyet, kan du bruke støvsugeren automatisk sammen med verktøyet's bryterfunksjon.
► Fig.32

Hvis du vil bruke trådløsaaktiveringsfunksjonen, må du klargjøre følgende elementer:

- En trådløs enhet (valgfritt tilbehør)
- En støvsuger som støtter trådløsaaktiveringsfunksjonen

Oversikten over innstillingen for trådløsaaktiveringsfunksjonen er som følger. Du finner detaljerte fremgangsmåter i hver enkelt del.

1. Installere den trådløse enheten
2. Verktøyregistrering for støvsugeren
3. Starte trådløsaaktiveringsfunksjonen

Installere den trådløse enheten

Valgfritt tilbehør

⚠ FORSIKTIG: Plasser verktøyet på et flatt og stabilt underlag når du skal installere den trådløse enheten.

OBS: Fjern støv og smuss på verktøyet før du installerer den trådløse enheten. Støv eller smuss kan føre til funksjonsfeil hvis det trenger inn i den trådløse enhetens spor.

OBS: For å unngå funksjonsfeil som følge av statisk elektrisitet, berører du et statisk utladningsmateriale, som en av verktøyet's metalldele, før du tar i den trådløse enheten.

OBS: Når du installerer den trådløse enheten, må du passe på at den trådløse enheten settes inn i riktig rettet og at lokket lukkes helt igjen.

1. Åpne lokket på verktøyet som vist i figuren.
► Fig.33: 1. Lokk
2. Sett den trådløse enheten inn i sporet, og lukk lokket.

Når du setter inn den trådløse enheten, innretter du fremspringene med de utsparte delene på sporet.

► Fig.34: 1. Trådløs enhet 2. Fremspring 3. Lokk 4. Utspart del

Når du fjerner den trådløse enheten, må du åpne lokket sakte. Krokene på baksiden av lokket vil løfte den trådløse enheten når du drar i lokket.

► Fig.35: 1. Trådløs enhet 2. Krok 3. Lokk

Etter at du har fjernet den trådløse enheten, oppbevares den i esken som følger med eller en beholder som ikke er statisk.

OBS: Du må alltid bruke krokene på baksiden av lokket når du fjerner den trådløse enheten. Hvis krokene ikke hefter seg fast i den trådløse enheten, lukker du lokket helt og åpner det sakte på nytt.

Verktøyregistrering for støvsugeren

MERK: En Makita-støvsuger som støtter trådløsoptimeringsfunksjonen er nødvendig for verktøyregistrering.

MERK: Fullfør installasjonen av den trådløse enheten i verktøyet før du starter verktøyregistreringen.

MERK: Du må ikke dra i startbryteren eller slå på strømbryteren på støvsugeren under verktøyregistrering.

MERK: Les i tillegg brukerveiledningen for støvsugeren.

Hvis du ønsker å aktivere støvsugeren sammen med verktøyet bryterfunksjon, må du fullføre verktøyregistreringen på forhånd.

1. Sett batteriene i støvsugeren og verktøyet.
2. Still ventebryteren på støvsugeren på "AUTO".
► **Fig.36:** 1. Ventebryter
3. Trykk på trådløsoptimeringsknappen på støvsugeren i 3 sekunder til trådløsoptimeringslampen blinker grønt. Deretter trykker du på trådløsoptimeringsknappen på verktøyet på samme måte.
► **Fig.37:** 1. Trådløsoptimeringsknapp
2. Trådløsoptimeringslampe

Hvis koblingen av støvsugeren og verktøyet lykkes, vil trådløsoptimeringslampene lyse grønt i 2 sekunder og begynner å blinke blått.

MERK: Trådløsoptimeringslampene slutter å blinke grønt når det har gått 20 sekunder. Trykk på trådløsoptimeringsfunksjonen på verktøyet mens trådløsoptimeringslampen på støvsugeren blinker. Hvis trådløsoptimeringslampen ikke blinker grønt, trykker du på trådløsoptimeringsknappen et kort øyeblikk og holder den inne igjen.

MERK: Når du utfører to eller flere verktøyregistreringer for én støvsuger, fullfører du verktøyregistreringen en etter en.

Starte trådløsoptimeringsfunksjonen

MERK: Fullfør verktøyregistreringen for støvsugeren før trådløsoptimeringen.

MERK: Les i tillegg brukerveiledningen for støvsugeren.

Etter at et verktøy er registrert til støvsugeren, vil støvsugeren automatisk svive sammen med verktøyet bryterfunksjon.

1. Installer den trådløse enheten i verktøyet.
2. Koble støvsugerens slange til verktøyet.
► **Fig.38**
3. Still ventebryteren på støvsugeren på "AUTO".
► **Fig.39:** 1. Ventebryter
4. Trykk et kort øyeblikk på trådløsoptimeringsknappen på verktøyet. Trådløsoptimeringslampen vil blinke blått.
► **Fig.40:** 1. Trådløsoptimeringsknapp
2. Trådløsoptimeringslampe

5. Dra i verktøyet startbryter. Kontroller om støvsugeren sviver mens du drar i startbryteren.

Hvis du vil stanse støvsugerens trådløsoptimering, trykker du på trådløsoptimeringsknappen på verktøyet.

MERK: Trådløsoptimeringslampen på verktøyet vil slutte å blinke blått når verktøyet ikke har blitt brukt på 2 timer. Da setter du i tilfelle ventebryteren på støvsugeren på "AUTO" og trykker på trådløsoptimeringsknappen på verktøyet igjen.

MERK: Støvsugeren starter/stopper med en forsinkelse. Det er en tidsforsinkelse når støvsugeren oppdater at en bryter på verktøyet er trykket på.











MERK: Det trådløse enhetens overføringsavstand kan variere avhengig av sted og omgivelsesforhold.

MERK: Når to eller flere verktøy er registrert til én støvsuger, kan det hende at støvsugeren begynner å svive selv om du ikke drar i startbryteren, fordi en annen bruker trådløsoptimeringsfunksjonen.

Beskrivelse av trådløssaktiveringslampens status

► Fig.41: 1. Trådløssaktiveringslampe

Trådløssaktiveringslampen viser statusen til trådløssaktiveringsfunksjonen. Du finner informasjon om lampestatusens betydning i tabellen nedenfor.

Status	Trådløssaktiveringslampe				Beskrivelse
	Farge	 På	 Blinker	Varighet	
Ventemodus	Blå			2 timer	Trådløssaktivering av støvsugeren er tilgjengelig. Lampen vil slå seg av når verktøyet ikke har blitt brukt på 2 timer.
				Når verktøyet sviver.	Trådløssaktivering av støvsugeren er tilgjengelig, og verktøyet sviver.
Verktøyregistrering	Grønn			20 sekunder	Klar for verktøyregistrering. Venter på registrering av støvsugeren.
				2 sekunder	Verktøyregistreringen er fullført. Trådløssaktiveringslampen vil begynne å blinke blått.
Avbryte verktøyregistrering	Rød			20 sekunder	Klar for å avbryte verktøyregistrering. Venter på at støvsugeren skal avbryte.
				2 sekunder	Verktøyregistreringen er avbrutt. Trådløssaktiveringslampen vil begynne å blinke blått.
Andre	Rød			3 sekunder	Den trådløse enheten forsynes med strøm, og trådløssaktiveringsfunksjonen starter opp.
	Av	-		-	Trådløssaktivering av støvsugeren stanses.

Avbryte verktøyregistrering for støvsugeren

Gå frem på følgende måte når du skal avbryte verktøyregistrering for støvsugeren.

1. Sett batteriene i støvsugeren og verktøyet.
2. Still ventebryteren på støvsugeren på "AUTO".

► Fig.42: 1. Ventebryter

3. Trykk på trådløssaktiveringsknappen på støvsugeren i 6 sekunder. Trådløssaktiveringslampen blinker grønt og blir deretter rød. Deretter trykker du på trådløssaktiveringsknappen på verktøyet på samme måte.

► Fig.43: 1. Trådløssaktiveringsknapp
2. Trådløssaktiveringslampe

Hvis avbrytingen er vellykket, vil trådløssaktiveringslampene lyse rødt i 2 sekunder og begynne å blinke blått.

MERK: Trådløssaktiveringslampene slutter å blinke rødt når det har gått 20 sekunder. Trykk på trådløssaktiveringsfunksjonen på verktøyet mens trådløssaktiveringslampen på støvsugeren blinker. Hvis trådløssaktiveringslampen ikke blinker rødt, trykker du på trådløssaktiveringsknappen et kort øyeblikk og holder den inne igjen.

Feilsøking for trådløsskiveringsfunksjonen

Inspiser utstyret selv før du bestiller reparasjon. Ikke prøv å demontere verktøyet hvis du finner et problem som ikke er forklart i brukerveiledningen. I stedet bør du ta kontakt med et av Makitas autoriserte servicesentre, som alltid bruker reservedeler fra Makita til reparasjoner.

Unormal tilstand	Sannsynlig årsak (feil)	Løsning
Trådløsskiveringslampe tennes/ blinker ikke.	Den trådløse enheten er ikke installert i verktøyet. Den trådløse enheten er installert på feil måte i verktøyet.	Installer den trådløse enheten på riktig måte.
	Det trådløse enhetens tilkoblingspunkt og/eller spor er tilsmusset.	Tørk forsiktig bort støv og smuss på den trådløse enhetens tilkoblingspunkt, og rengjør sporet.
	Du har ikke trykket på trådløsskiveringsknappen.	Trykk et kort øyeblikk på trådløsskiveringsknappen på verktøyet.
	Ventebryteren på støvsugeren er ikke stilt inn på "AUTO".	Still ventebryteren på støvsugeren på "AUTO".
	Ingen strømforsyning	Sørg for at verktøyet og støvsugeren har strømforsyning.
Kan ikke fullføre verktøyregistrering/ avbryte verktøyregistrering.	Den trådløse enheten er ikke installert i verktøyet. Den trådløse enheten er installert på feil måte i verktøyet.	Installer den trådløse enheten på riktig måte.
	Det trådløse enhetens tilkoblingspunkt og/eller spor er tilsmusset.	Tørk forsiktig bort støv og smuss på den trådløse enhetens tilkoblingspunkt, og rengjør sporet.
	Ventebryteren på støvsugeren er ikke stilt inn på "AUTO".	Still ventebryteren på støvsugeren på "AUTO".
	Ingen strømforsyning	Sørg for at verktøyet og støvsugeren har strømforsyning.
	Feil bruk	Trykk på trådløsskiveringsknappen et kort øyeblikk, og utfør verktøyregistrering/avbryting på nytt.
	Verktøyet og støvsugeren er for langt unna hverandre (utenfor overføringsområdet).	Sørg for at verktøyet og støvsugeren er nærmere hverandre. Maksimal overføringsavstand er ca. 10 m, men den kan variere avhengig av forholdene.
	Før du fullfører verktøyregistrering/ avbryting: – dra i startbryteren på verktøyet, eller – slå på startknappen på støvsugeren.	Trykk på trådløsskiveringsknappen et kort øyeblikk, og utfør verktøyregistrering/avbryting på nytt.
	Verktøyregistreringen for verktøyet eller støvsugeren er ikke fullført.	Følg fremgangsmåten for verktøyregistrering for både verktøyet og støvsugeren samtidig.
	Radioforstyrrelse fra andre innretninger som genererer radiobølger med høy intensitet.	Hold verktøyet og støvsugeren borte fra innretninger som WiFi-enheter og mikrobølgeovner.
Støvsugeren svinger ikke sammen med verktøets bryterfunksjon.	Den trådløse enheten er ikke installert i verktøyet. Den trådløse enheten er installert på feil måte i verktøyet.	Installer den trådløse enheten på riktig måte.
	Det trådløse enhetens tilkoblingspunkt og/eller spor er tilsmusset.	Tørk forsiktig bort støv og smuss på den trådløse enhetens tilkoblingspunkt, og rengjør sporet.
	Du har ikke trykket på trådløsskiveringsknappen.	Trykk på trådløsskiveringsknappen et kort øyeblikk, og kontroller at trådløsskiveringslampe blinker blått.
	Ventebryteren på støvsugeren er ikke stilt inn på "AUTO".	Still ventebryteren på støvsugeren på "AUTO".
	Mer enn 10 verktøy er registrert til støvsugeren.	Utfør verktøyregistreringen på nytt. Hvis mer enn 10 verktøy er registrert til støvsugeren, vil det først registrerte verktøyet bli fjernet automatisk.
	Støvsugeren slettet alle verktøyregistreringer.	Utfør verktøyregistreringen på nytt.
	Ingen strømforsyning	Sørg for at verktøyet og støvsugeren har strømforsyning.
	Verktøyet og støvsugeren er for langt unna hverandre (utenfor overføringsområdet).	Sørg for at verktøyet og støvsugeren er nærmere hverandre. Maksimal overføringsavstand er ca. 10 m, men den kan variere avhengig av forholdene.
	Radioforstyrrelse fra andre innretninger som genererer radiobølger med høy intensitet.	Hold verktøyet og støvsugeren borte fra innretninger som WiFi-enheter og mikrobølgeovner.
Støvsugeren svinger når du ikke drar i startbryteren.	Andre brukere bruker støvsugerens trådløsskivering med verktøyene sine. Slå av de andre verktøyenes trådløsskiveringsknapp, eller avbryt verktøyregistrering for andre verktøy.	

VEDLIKEHOLD

⚠FORSIKTIG: Forviss deg alltid om at maskinen er slått av og batteriet tatt ut før du foretar inspeksjon eller vedlikehold.

OBS: Aldri bruk gasolin, bensin, tynner alkohol eller lignende. Det kan føre til misfarging, deformering eller sprekkdannelse.

For å opprettholde produktets SIKKERHET og PÅLITELIGHET, må reparasjoner, vedlikehold og justeringer utføres av Makitas autoriserte servicesentre, og det må alltid brukes reservedeler fra Makita.

Rengjøring av luftventil

Maskinen og luftenåpningene må holdes rene. Rengjør maskinens luftenåpninger med jevne mellomrom og ellers når åpningene begynner å tettes.

► **Fig.44:** 1. Ventilasjonsutløp 2. Innsugsventil

Fjern støvdekelet fra innsugsventilen, og rengjør det for å sikre en jevn luftsirkulering.

► **Fig.45:** 1. Støvdeksel

OBS: Rengjør støvdekelet når det er tilstoppet av støv eller fremmedlegemer. Fortsatt drift med et tilstoppet støvdeksel kan skade verktøyet.

VALGFRITT TILBEHØR

⚠FORSIKTIG: Det anbefales at du bruker dette tilbehøret eller verktøyet sammen med den Makita-maskinen som er spesifisert i denne håndboken. Bruk av annet tilbehør eller verktøy kan forårsake personskader. Tilbehør og verktøy må kun brukes til det formålet det er beregnet på.

Ta kontakt med ditt lokale Makita-servicesenter hvis du trenger mer informasjon om dette tilbehøret.

- Makita originalbatteri og lader

► **Fig.46**

-	100 mm modell	115 mm modell	125 mm modell
1		Håndtak 36	
2		Beskyttelseskappe (for slipehjul)	
3		Indre flens	
4		Nedsenket nav / klaffskive	
5		Låsemutter	
6		Reservepute	
7		Flex-hjul	
8	Indre flens og gummirondell 76	Gummihette 100	Gummihette 115
9		Slipeskive	
10		Låsemutter for sliping	
11		Sirkulærbørste av stål	
12		Koppbørste av stål	
13		Beskyttelseskappe (for kapphjul) *1	
14		Slipende kappeskive / diamantskive	
15		Beskyttelseskappe med støvsamler	
-		Låsemutternøkkel	

MERK: *1 Når du bruker et diamanthjul i enkelte europeiske land, kan en vanlig kappe brukes istedenfor spesialkappen som dekker begge sider av hjulet. Følg lokale forskrifter.

MERK: Enkelte elementer i listen kan være inkludert som standardtilbehør i verktøypakken. Elementene kan variere fra land til land.

TEKNISET TIEDOT

Malli:	GA027G	GA028G	GA029G	GA030G	GA031G	GA032G
Laikan halkaisija	100 mm (4")	115 mm (4-1/2")	125 mm (5")	100 mm (4")	115 mm (4-1/2")	125 mm (5")
Laikan suurin paksuus	6,4 mm	7,2 mm		6,4 mm	7,2 mm	
Karan kierre	M10	M14 tai 5/8" (maakohtainen)		M10	M14 tai 5/8" (maakohtainen)	
Nimellisnopeus (n)	8 500 min ⁻¹					
Kokonaispituus	BL4025:n kanssa		413 mm			
	BL4040:n kanssa		425 mm			
Nettopaino	2,9–3,4 kg	3,0–3,6 kg	3,0–4,5 kg	2,8–3,4 kg	2,9–3,6 kg	3,0–4,4 kg
Nimellisjännite	DC 36 V – 40 V maks.					

- Jatkuva tutkimus- ja kehitystyöstämme johtuen esitetyt tekniset tiedot saattavat muuttua ilman erillistä ilmoitusta.
- Tekniset tiedot voivat vaihdella maittain.
- Paino voi olla erilainen lisävarusteista sekä akusta johtuen. EPTA-menettelytavan 01/2014 mukaisesti, taulukossa on kuvattu kevyin ja painavin laiteyhdistelmä.

Käytettävä akkupaketti ja laturi

Akkupaketti	BL4025/BL4040
Laturi	DC40RA

- Tiettyjä yläpuolella kuvattuja akkuja ja latureita ei ehkä ole saatavana asuinalueestasi johtuen.

VAROITUS: Käytä vain edellä eriteltyjä akkupaketteja ja latureita. Muiden akkupakettien ja laturien käyttäminen voi aiheuttaa loukkaantumisen ja/tai tulipalon.

Käyttötarkoitus

Työkalu on tarkoitettu metallin ja kiven karkeaan ja hienoon hiomiseen ja leikkaamiseen ilman vettä.

Melutaso

Tyypillinen A-painotettu melutaso määräytyy standardin EN60745-2-3 mukaan:

Malli	Äänenpainetaso (L _{pa}): (dB(A))	Äänentehotaso (L _{wa}): (dB(A))	Virhemarginaali (K): (dB(A))
GA027G	81	92	3
GA028G	81	92	3
GA029G	82	93	3
GA030G	81	92	3
GA031G	81	92	3
GA032G	82	93	3

HUOMAA: Ilmoitetut melutasoarvot on mitattu standarditestausmenetelmän mukaisesti ja niiden avulla voidaan vertailla työkaluja keskenään.

HUOMAA: Ilmoitettuja melutasoarvoja voidaan käyttää myös altistumisen alustavaan arviointiin.

VAROITUS: Käytä kuulosuojaimia.

VAROITUS: Sähkötyökalun käytön aikana mitattu melutasoarvo voi poiketa ilmoitetuista arvoista laitteen käytettävän ja erityisesti käsiteltävän työkappaleen mukaan.

VAROITUS: Selvitä käyttäjän suojaamiseksi tarvittavat varoimet todellisissa käyttöolosuhteissa tapahtuvan arvioitun altistumisen mukaisesti (ottaen huomioon käyttöjako kokonaisuudessaan, myös jaksot, joiden aikana laite on sammutettuna tai käy tyhjäkäynnillä).

Kokonaistärinä (kolmen akselin vektorien summa) määräytyy standardin EN60745-2-3 mukaan:

Käyttötila: pintahionta tavallista sivukahvaa käyttäen

Malli	Tärinäpäästö ($a_{hr, AG}$): (m/s^2)	Virhemarginaali (K): (m/s^2)
GA027G	4,5	1,5
GA028G	5,0	1,5
GA029G	6,0	1,5
GA030G	4,5	1,5
GA031G	5,0	1,5
GA032G	6,0	1,5

Käyttötila: pintahionta tärinänvaimentavaa sivukahvaa käyttäen

Malli	Tärinäpäästö ($a_{hr, AG}$): (m/s^2)	Virhemarginaali (K): (m/s^2)
GA027G	4,5	1,5
GA028G	5,0	1,5
GA029G	6,5	1,5
GA030G	4,5	1,5
GA031G	5,0	1,5
GA032G	6,5	1,5

Käyttötila: laikkahionta tavallista sivukahvaa käyttäen

Malli	Tärinäpäästö ($a_{hr, AG}$): (m/s^2)	Virhemarginaali (K): (m/s^2)
GA027G	2,5 m/s^2 tai vähemmän	1,5
GA028G	2,5	1,5
GA029G	3,0	1,5
GA030G	2,5 m/s^2 tai vähemmän	1,5
GA031G	2,5	1,5
GA032G	3,0	1,5

Käyttötila: laikkahionta tärinänvaimentavaa sivukahvaa käyttäen

Malli	Tärinäpäästö ($a_{hr, AG}$): (m/s^2)	Virhemarginaali (K): (m/s^2)
GA027G	2,5 m/s^2 tai vähemmän	1,5
GA028G	2,5	1,5
GA029G	3,0	1,5
GA030G	2,5 m/s^2 tai vähemmän	1,5
GA031G	2,5	1,5
GA032G	3,0	1,5

HUOMAA: Ilmoitetut kokonaistärinäarvot on mitattu standarditestausten menetelmän mukaisesti ja niiden avulla voidaan vertailla työkaluja keskenään.

HUOMAA: Ilmoitettuja kokonaistärinäarvoja voidaan käyttää myös altistumisen alustavaan arviointiin.

VAROITUS: Sähkötyökalun käytön aikana mitattu todellinen tärinäpäästöarvo voi poiketa ilmoitetuista arvoista laitteen käyttötavan ja erityisesti käsiteltävän työkalupaleen mukaan.

VAROITUS: Selvitä käyttäjän suojaamiseksi tarvittavat varoitoimet todellisissa käyttöolosuhteissa tapahtuvan arvioitun altistumisen mukaisesti (ottaen huomioon käyttöjakso kokonaisuudessaan, myös jaksot, joiden aikana laite on sammutettuna tai käy tyhjäkäynnillä).

VAROITUS: Ilmoitettu tärinäpäästöarvo koskee tämän työkalun pääasiallisia käyttötarkoituksia. Tärinäpäästöarvo voi kuitenkin muuttua, jos työkalua käytetään muihin tarkoituksiin.

Koskee vain Euroopan maita

EY-vaatimusten mukaisuusvakuutus on liitetty tähän käyttöoppaaseen.

TURVAVAROITUKSET

Sähkötyökalujen käyttöä koskevat yleiset varoitukset

VAROITUS: Tutustu kaikkiin tämän sähkötyökalun mukana toimitettuihin varoituksiin, ohjeisiin, kuviin ja teknisiin tietoihin. Seuraavassa luettelujen ohjeiden noudattamatta jättäminen saattaa johtaa sähköiskuun, tulipaloon tai vakavaan vammautumiseen.

Säilytä varoitukset ja ohjeet tulevaa käyttöä varten.

Varoituksissa käytettävällä termillä "sähkötyökalu" tarkoitetaan joko verkkovirtaa käyttävää (johdollista) työkalua tai akkukäyttöistä (johdotonta) työkalua.

Akkukäyttöisen hiomakoneen turvaohjeet

Hiontaa, hiekkapaperihiontaa, harjausta ja katkaisua koskevat yleiset varoitukset:

1. Tätä sähkötyökalua voidaan käyttää hiomakoneena, hiekkapaperihiomakoneena, teräsharjana ja katkaisutyökaluna. Tutustu kaikkiin tämän sähkötyökalun mukana toimitettuihin varoituksiin, ohjeisiin, kuviin ja teknisiin tietoihin. Seuraavassa luettelujen ohjeiden noudattamatta jättäminen saattaa johtaa sähköiskuun, tulipaloon tai vakavaan vammautumiseen.
2. Älä käytä työkalua kiillottamiseen. Sellaiset toiminnot, joihin tätä sähkötyökalua ei ole suunniteltu, voivat aiheuttaa vaaran ja aiheuttaa henkilövamman.
3. Älä käytä sellaisia lisävarusteita, jotka eivät ole nimenomaan valmistajan suunnitteleimia tai suosittelemia. Vaikka lisävarusteen voi kiinnittää työkaluun, sen käyttö ei silti välttämättä ole turvallista.
4. Lisävarusteen määrätyn nopeuden täytyy olla ainakin samanvertainen tehokoneessa osoitetun enimmäisnopeuden kanssa. Sellaiset lisävarusteet, jotka toimivat nopeammin, kuin määritetty nopeus, voivat rikkoutua ja sinkoutua erilleen.
5. Lisävarusteesi ulkohalkaisijan ja paksuuden on oltava tehokoneesi määritetyn kapasiteetin sisällä. Väärin mitoitettuja lisävarusteita ei voida suojata tai ohjata sopivasti.

6. Lisävarusteiden kiertäminen asennuskiinnityksen on vastattava hiomakoneen karan kiertettä. Laippa-asennettavien lisävarusteiden asennusreiän on vastattava kohdistuslaipan halkaisijaa. Jos lisävaruste ei sovi tehokoneen asennusvarustukseen, tehokone ei ole tasapainossa. Se voi tärähtää voimakkaasti, mikä voi aiheuttaa työkalun hallinnan menetyksen.
7. Älä käytä viallisia lisävarusteita. Ennen jokaista käyttökertaa tarkista, että hioma-laikassa ei ole lohkeamia tai halkeamia, tyyntyä ei ole halkeamia tai merkkejä liiallisesta kulumisesta ja että teräharjan harjakset eivät ole irti tai halkeilleet. Jos työkalu tai lisävaruste pääsee putoamaan, tarkista sen kunto tai vaihda lisävaruste ehjään. Asetu lisävarusteen tarkastuksen ja asennuksen jälkeen niin, ettet itse tai kukaan sivullinen ole pyörivän lisävarusteen kanssa samassa tasossa ja käytä laitetta sitten suurimmalla sallitulla joutokäyntinopeudella yhden minuutin ajan. Vioittanut lisävaruste hajooa yleensä tässä testijassassa.
8. Käytä suojavarusteita. Käytä käyttötarkoituksen mukaisesti kasvosuojusta, suojalaseja tai sivusuojilla varustettuja lasia. Käytä tarvittaessa hengityssuojainta, kuulosuojaimia, hansikkaita ja työessua, joka suojaa pieniltä pirstaleilta. Suojalasiin täytyy suojata kaikenlaisista töistä aiheutuilta lentäviltä pirstaleilta. Hengityssuojaimen täytyy suodattaa työskentelyn tuottamat hiukkaset. Pitkäaikainen altistuminen voimakkaalle melulle voi vahingoittaa kuuloa.
9. Sivullisten tulee pysyä turvallisen etäisyyden päässä työskentelyalueesta. Kaikkiin työskentelyalueelle tulevien on käytettävä suojavarusteita. Työkappaleen tai rikkoutuneen lisävarusteen pirstaleet voivat aiheuttaa vammaan välittömästi toiminta-alueen ulkopuolella.
10. Kun suoritat toimintaa, jossa työkalu voi joutua kosketukseen piilossa olevien johtojen kanssa, pidä kiinni työkalusta sen eristetyin pinnan kohdalta. Jos sähkötyökalun metalliosia joutuu kosketukseen virrallisen johdon kanssa, työkalun sähköä johtavat metalliosat voivat aiheuttaa käyttäjälle sähköiskun.
11. Älä koskaan laita tehokoneita alas, ennen kuin lisävaruste on täysin pysähtynyt. Pyörivä lisävaruste voi tarrata pintaan ja vetää tehokoneen käsistäsi.
12. Älä käytä laitetta, kun annat sitä sivullisi. Vahingossa aiheutuva kosketus pyörivään lisävarusteeseen voi repiä vaatteesi, vetäen lisävarusteen kehoosi.
13. Puhdista työkalun ilma-aukot säännöllisesti. Moottorin tuuletin imee pölyä koteloon, ja metallijauheen kerääntyminen laitteeseen voi aiheuttaa sähköiskuvaaran.
14. Älä käytä tehokoneita tulenarkojen materiaalien lähellä. Kipinät voivat sytyttää nämä materiaalit.
15. Älä käytä sellaisia lisävarusteita, jotka vaativat jäähdytysnesteitä. Jos käytät vettä tai muita jäähdytysnesteitä, ne voivat aiheuttaa sähkötapaturman tai -iskun.

Takapotku ja siihen liittyvät varoitukset

Takapotku on kiinni juuttuneen laikan, tyynyn, harjan tai muun lisävarusteen aiheuttama äkillinen sysäys. Kiinni juuttuminen tai takertelu aiheuttaa sen, että pyörivä lisävaruste pysähtyy, mikä puolestaan alkaa työntää laitetta halitsemattomasti pyörimisliikkeelle vastakkaiseen suuntaan. Jos laikka esimerkiksi juuttuu työkappaleeseen, juuttumiskohtaan puretumassa oleva laikka voi tunkeutua kappaleen pintaan, jolloin se kipeää ylös tai potkaisee taaksepäin. Laikka voi ponnahtaa joko käyttäjää kohti tai käyttäjältä pois päin riippuen laikan pyörimissuunnasta juuttumishetkellä. Hiomalaikat voivat myös rikkoutua näissä tilanteissa.

Takapotku johtuu tehokoneen virheellisestä käytöstä ja/tai käyttötavasta tai olosuhteista. Takapotku voidaan välttää seuraavien varotoimien avulla.

- Pitele tehokoneesta tukevasti kiinni ja asetu sellaiseen asentoon, että voit vastustaa takapotkun voimaa. Käytä aina apukahvaa, jos annettu mukana, takapotkujen tai vääntömomentin maksimi hallinnon vuoksi käynnistytksen aikana.** Käyttäjä voi hallita vääntömomentin reaktioita tai takapotkun voimaa noudattamalla sopivia varotoimenpiteitä.
- Älä koskaan vie kättäsi pyörivän lisävarusteen lähelle.** Lisävaruste saattaa aiheuttaa takapotkun käsillesi.
- Älä asetu niin, että kehosi jää sähkötyökalun tielle takapotkun sattuessa.** Takapotku heittää laitetta laikan pyörimissuuntaan nähden päinvastaiseen suuntaan.
- Ole erityisen varovainen, kun työstät nurkkia, teräviä reunoja tms. Vältä laikan pomppimista ja jumittumista.** Kulmilla, terävillä reunoilla tai ponnahtamisella on taipumus repäistä pyörivä lisävarustetta ja aiheuttaa hallinnan menettämisen tai takapotkun.
- Älä käytä laitteessa moottorisahan puunleikkuuterää tai hammastettua terää.** Tällaiset terät aiheuttavat usein takapotkuja ja hallinnan menettämisen.

Hiontaa ja katkaisua koskevat erityiset varoitukset:

- Käytä vain kyseiselle sähkötyökalulle tarkoitettuja laikkatyyppejä ja kyseiselle laikalle tarkoitettua erikoissuojaa.** Muita kuin kyseiselle sähkötyökalulle nimenomaisesti tarkoitettuja laikkoja ei voida suojata kunnolla, eivätkä ne ole turvallisia.
- Upotetulla navalla varustettujen laikkojen hiomapinnan on oltava suojareunan tason alapuolella.** Väärin asennettua laikkaa, joka työntyy suojareunan tason läpi, ei ole asianmukaisesti suojattu.
- Suojus on kiinnitettävä laitteeseen tukevasti turvalliseen asentoon niin, että mahdollisimman pieni osa laikasta näkyy käyttäjää kohti.** Suoja suojaaa käyttäjää rikkoutuneen laikan palasilta ja kipinöiltä, jotka voisivat syyttää vaatteet palamaan, sekä estää vahingossa koskettamasta laikkaa.
- Laikkoja saa käyttää vain niille suositeltuun käyttötarkoitukseen.** Esimerkki: älä käytä katkaisulaikan sivua hiomiseen. Katkaisulaikkaa käytettäessä hionta on tarkoitettu tehtäväksi vain laikan kehällä. Laikkaan kohdistettava sivuttaisvoima voi rikkoa sen sirpaleiksi.

- Käytä aina ehjiä ja oikean kokoisia laikkalaippoja, joiden muoto vastaa valittua laikkaa.** Oikeantyyppiset laikkalaipat tukevat laikkaa ja pienentävät näin laikan rikkoutumisriskiä. Katkaisulaikkoihin tarkoitettuja laipat voivat olla erilaisia kuin hiomalaikkoihin laipat.
- Älä käytä suurempien sähkötyökalujen kulueneita laikkoja.** Suuriin sähkötyökaluihin tarkoitettuja laikat eivät sovi suuremmalla nopeudella toimiviin pienempiin työkaluihin ja voivat siksi hajota.

Katkaisua koskevat lisävaroitukset:

- Älä anna laikan juuttua paikalleen äläkä käytä liiallista painetta. Älä yritä tehdä liian syvää uraa.** Laikan liiallinen painaminen lisää kuormitusta ja laikan väntymis- tai juuttumisriskiä, jolloin seurauksena voi olla takapotku tai laikan rikkoutuminen.
- Älä asetu samaan linjaan pyörivän laikan taakse.** Kun laikka käytettäessä liikkuu käyttäjältä pois päin, mahdollinen takapotku voi sytyttää pyörivän laikan ja sähkötyökalun suoraan käyttäjää kohti.
- Kun laikka takertelee tai työ joudutaan jostakin syystä keskeyttämään, katkaise laitteesta virta ja pidä sitä paikoillaan liikkumatta, kunnes laikka on täysin pysähtynyt. Älä koskaan yritä irrottaa laikkaa urasta, kun laikka vielä pyörii, koska seurauksena voi olla takapotku.** Selvitä laikan takertelun syy ja poista juuttumisen aiheutumisen syy.
- Älä käynnistä laitetta niin, että se on kiinni työkappaleessa.** Anna laikan savuttaa täysi pyörimisnopeus ja työnnä laikka sitten varovasti leikkuu-urään. Jos työkalu käynnistetään niin, että se on kiinni työkappaleessa, laikka voi juuttua, työntyä taaksepäin tai ponnahtaa ylös.
- Vähennä laikan takertelu- ja takapotkuriskiä tukemalla paneelit ja ylisuuret työkappaleet huolellisesti.** Suurikokoiset työkappaleet pyrkivät taipumaan omasta painostaan. Työkappale on tuettava laikan kummaltakin puolelta leikkulinjan vierestä ja työkappaleen reunoilla.
- Ole erityisen varovainen, kun teet aukkoja seinäin tai muihin umpimaisiin rakenteisiin.** Laikka voi katkaista kaasui- tai vesiputken tai sähköjohtoja tai osua takapotkun aiheuttaviin esteisiin.

Hiekkapaperihiontaa koskevat erikoismääräykset:

- Älä käytä ylikokoista hiomalaikkapaperia.** Noudata hiekkapaperin valinnassa valmistajan suosituksia. Hiomatynyn ulkopuolelle ulottuva hiekkapaperi voi revetä ja aiheuttaa takertelua, laikkavaurioita tai takapotkun.

Teräsharjausta koskevat erityiset varoitukset:

- Ota huomioon, että harjaksia irtoaa harjasta myös normaalikäytössä. Älä kuormita harjaksia turhaan painamalla liian voimakkaasti.** Harjokset voivat helposti tunkeutua kevyen vaatteuksen ja/tai ihon läpi.
- Jos harjauksessa suositellaan käytettäväksi suojusta, älä anna harjauslaikan tai harjan koskettaa suojukseen.** Harjauslaikan tai harjan halkaisija voi kasvaa kuormituksen ja keskipakovoiman vaikutuksesta.

Turvallisuutta koskevat lisävaroitukset:

1. Jos käytät hiomalaikkaa, jossa on upotettu keskiö, varmista, että laikka on lasikuituvahvisteinen.
2. **ÄLÄ KOSKAAN** käytä tässä hiomakoneessa kiven hiontaan tarkoitettuja kuppilaikkoja. Hiomakonetta ei ole suunniteltu tämän tyyppisten laikkojen käyttöön. Vääräntyyppisten laikkojen käyttö voi aiheuttaa vakavan henkilövahingon.
3. **Varo, ettet vahingoita** karaa, laippaa (erityisesti asennuspintaa) tai lukkomutteria. Näiden osien vioittuminen voi aiheuttaa laikan rikkoutumisen.
4. Varmista, ettei laikka kosketa työkappaleeseen, ennen kuin virta on kytketty päälle kytkimestä.
5. Anna koneen käydä jonkin aikaa, ennen kuin alat työstää työkappaletta. Varo, ettei se värähtele tai tärisse, mikä voi on merkki siitä, että laikka on huonosti asennettu tai täsapainotettu.
6. Käytä hiontaan siihen tarkoitettua laikan pintaa.
7. Älä jätä työkalua käymään itsekseen. Käytä laitetta vain silloin, kun pidät sitä kädessä.
8. Älä kosketa työkappaletta heti käytön jälkeen, sillä se saattaa olla erittäin kuuma ja polttaa ihoa.
9. Älä kosketa lisävarusteita heti käytön jälkeen, sillä ne saattavat olla erittäin kuumia ja polttaa ihoa.
10. Noudata valmistajan ohjeita laikkojen oikeasta asennuksesta ja käytöstä. Käsittele laikkoja varoen ja säilytä niitä huolella.
11. Älä käytä erillisiä supistusholkkeja tai sovitimia isoaukkoisten hiomalaikkojen kiinnitykseen.
12. Käytä ainoastaan tälle työkalulle tarkoitettuja laippoja.
13. Kun käytät kierreleillä varustetuille laikoille tarkoitettua työkalua, varmista, että laikan kiertäet vastaavat pituudeltaan karan pituutta.
14. Varmista, että työkappale on tukevasti paikoillaan.
15. Ota huomioon, että laikka jatkaa pyörimistään vielä sen jälkeen, kun virta on katkaistu.
16. Jos työtila on erittäin kuuma ja kostea tai siinä esiintyy runsaasti sähköä johtavaa pölyä, varmista turvallisuus käyttämällä vikavirtakatkaisinta (30 mA).
17. Älä hio tai leikkaa työkalulla mitään asbestia sisältäviä materiaaleja.
18. Käytä aina paikallisten määräysten edellyttämää pölyä keräävää laikansuojusta.
19. Katkaisulaikkaa ei saa painaa sivusuunnassa.
20. Älä pidä kankaisia työkärsineitä käytön aikana. Kankaisista kärsineistä irtoavat kuidut voivat päätyä työkalun sisään ja vaurioittaa työkalua.

SÄILYTÄ NÄMÄ OHJEET.

VAROITUS: ÄLÄ anna työkalun helppokäyttöisyyden (toistuvan käytön aikaansaama) johtaa sinua väärään turvallisuuden tunteeseen niin, että laiminlyöt työkalun turvaohjeiden noudattamisen. **VÄÄRINKÄYTTÖ** tai tässä käyttöohjeessa ilmoitettujen turvamääräysten laiminlyönti voi aiheuttaa vakavia henkilövahinkoja.

Akkupakettia koskevia tärkeitä turvaohjeita

1. Ennen akun käyttöönottoa tutustu kaikkiin laturissa (1), akussa (2) ja akkukäyttöisessä tuotteessa (3) oleviin varoitusteksteihin.
2. **Älä pura tai peukaloi imuria akkupakettia.** Se voi johtaa tulipaloon, ylikuumentumiseen tai räjähdykseen.
3. Jos akun toiminta-aika lyhenee merkittävästi, lopeta akun käyttö. Seurauksena voi olla ylikuumentuminen, palovammoja tai jopa räjähdys.
4. Jos akkuestettä pääsee silmiin, huuhtelee puhtaalla vedellä ja hakeudu välittömästi lääkärin hoitoon. Akkuneste voi aiheuttaa näön menetyksen.
5. **Älä oikosulje akku.**
 - (1) Älä koske akun napoihin millään sähköä johtavalla materiaalilla.
 - (2) Vältä akun oikosulkemista äläkä säilytä akku yhdessä muiden metalliesineiden, kuten naulojen, kolikoiden ja niin edelleen kanssa.
 - (3) Älä aseta akku alttiiksi vedelle tai sateelle.Oikosulku voi aiheuttaa virtapiikin, ylikuumentumista, palovammoja tai laitteen rikkoontumisen.
6. Älä säilytä ja käytä työkalua ja akkupakettia paikassa, jossa lämpötila voi nousta 50 °C:een (122 °F) tai korkeammaksi.
7. Älä hävitä akku polttamalla, vaikka se olisi pahoin vaurioitunut tai täysin loppuun kulunut. Avotuli voi aiheuttaa akun räjähtämisen.
8. Älä naulaa, leikkaa, purista, heitä tai pudota akkupakettia tai iske sitä kovia esineitä vasten. Tällaiset toimet voivat johtaa tulipaloon, ylikuumentumiseen tai räjähdykseen.
9. **Älä käytä viallista akku.**
10. **Sisältyviä litium-ioni-akkuja koskevat vaarallisten aineiden lainsäädännön vaatimukset.** Esimerkiksi kolmansien osapuolten huolintaliikkeiden tulee kaupallisissa kuljetuksissa noudattaa pakkaamista ja merkintöjä koskevia erityisvaatimuksia. Lähettävän tuotteen valmistelu edellyttää vaarallisten aineiden asiantuntijan neuvontaa. Huomioi myös mahdollisesti yksityiskohtaisemmat kansalliset määräykset. Akun avoimet liittimet tulee suojata teipillä tai suojuksella ja pakkaaminen tulee tehdä niin, ettei akku voi liikkua pakkauksessa.
11. **Kun akkupaketti on hävitettävä, poista se laitteesta ja hävitä se turvallisesti.** Hävitä akku paikallisten määräysten mukaisesti.
12. Käytä akkuja vain Makitan ilmoittamien tuotteiden kanssa. Akkujen asentaminen yhteensopimattomiin tuotteisiin voi aiheuttaa tulipalon, liiallisen ylikuumentumisen, räjähdyksen tai akkuneuvuotoja.
13. Jos laitetta ei käytetä pitkään aikaan, akku on poistettava laitteesta.

14. Akkupaketin lämpötila voi käytön aikana ja sen jälkeen nousta niin kuumaksi, että se voi aiheuttaa palovammoja tai lieviä palovammoja. Käsittele kuumia akkupaketteja huolellisesti.
15. Älä kosketa työkalun liitintä välittömästi käytön jälkeen, sillä se voi olla riittävän kuuma aiheuttamaan palovammoja.
16. Älä päästä lastuja, pölyä tai maata akkupaketin liittämiin, aukkoihin ja uriin. Se voi heikentää työkalun tai akkupaketin suorituskykyä tai johtaa niiden rikkoutumiseen.
17. Ellei työkalu tue käyttöä korkeajännitelinjoihin lähellä, älä käytä akkupakettia korkeajännitelinjoihin lähellä. Se voi johtaa työkalun tai akkupaketin toimintahäiriöön tai rikkoutumiseen.

SÄILYTÄ NÄMÄ OHJEET.

⚠HUOMIO: Käytä vain alkuperäisiä Makita-akkuja. Muiden kuin aitojen Makita-akkujen, tai mahdollisesti muutettujen akkujen käyttö voi johtaa akun murtumiseen ja aiheuttaa tulipaloja, henkilö- ja omaisuusvahinkoja. Se mitätöi myös Makita-työkalun ja -laturin Makita-takuun.

Vihjeitä akun käyttöiän pidentämiseksi

1. Lataa akku ennen kuin se purkautuu täysin. Lopeta aina työkalun käyttö ja lataa akku, jos huomaat työkalun tehon vähenevän.
2. Älä koskaan lataa uudestaan täysin ladattua akkua. Yliilataaminen lyhentää akun käyttöikä.
3. Lataa akku huoneen lämpötilassa välillä 10 °C - 40 °C. Anna kuuman akun jäähtyä ennen lataamista.
4. Irrota akkupaketti työkalusta tai laturista, kun sitä ei käytetä.
5. Lataa akkupaketti, jos et käytä sitä pitkään aikaan (yli kuusi kuukautta).

Langatonta yksikköä koskevat tärkeät turvallisuusohjeet

1. Älä pura tai peukaloi langatonta yksikköä.
2. Pidä langaton yksikkö lasten ulottumattomissa. Jos tuote niellään vahingossa, ota välittömästi yhteys lääkäriin.
3. Käytä langatonta yksikköä vain Makitan työkalujen kanssa.
4. Älä altista langatonta yksikköä sateelle tai kosteisiin olosuhteisiin.
5. Älä käytä langatonta yksikköä paikassa, jossa lämpötila voi nousta yli 50 °C.
6. Älä käytä langatonta yksikköä paikassa, jonka läheisyydessä on lääketieteellisiä instrumentteja, kuten sydämentahdistajia jne.
7. Älä käytä langatonta yksikköä paikassa, jonka läheisyydessä on automatisoituja laitteita. Toiminnallisena automatisoidut laitteet voivat aiheuttaa käyttöhäiriöitä tai virheitä.
8. Älä jätä langatonta yksikköä paikkaan, jonka lämpötila on suuri tai jossa voi muodostua staattista sähköä tai sähkökohinahäiriöitä.

9. Langaton yksikkö voi muodostaa käyttäjälle vaarattomia sähkömagneettikenttiä (EMF).
10. Langaton yksikkö on tarkkuuslaite. Varo kolhimasta tai pudottamasta langatonta yksikköä.
11. Vältä koskettelemasta langattoman yksikön liittintä paljain käsin tai metallisilla materiaaleilla.
12. Irrota akku laitteesta aina, kun laitteeseen asennetaan langaton yksikkö.
13. Avattaessa uran kantta, vältä paikkoja missä pöly ja vesi voivat päästä uraan. Pidä aina uran aukko puhtaana.
14. Aseta langaton yksikkö aina oikeassa suunnassa.
15. Älä paina langattoman yksikön langatonta aktivointipainiketta liian kovaa ja/tai paina painiketta teräväreunaisilla kohteilla.
16. Sulje aina uran kansi käytön aikana.
17. Älä irrota langatonta yksikköä urasta laitteen virransyötön aikana. Muussa tapauksessa voi seurauksena olla langattoman yksikön käyttöhäiriöitä.
18. Älä irrota langattoman yksikön tarraa.
19. Älä kiinnitä mitään tarroja langattomaan yksikköön.
20. Älä jätä langatonta yksikköä paikkaan, missä on staattista sähköä tai sähkökohinahäiriöitä voi muodostua.
21. Älä jätä langatonta yksikköä äärimmäisiin lämpötiloihin, kuten auton istuimelle auringonpaisteeseen.
22. Älä jätä langatonta yksikköä paikkaan, missä on pölyä tai jauheita tai syövyttäviä kaasuja voi muodostua.
23. Äkillinen lämpötilan vaihtelu voi kostuttaa langattoman yksikön. Älä käytä langatonta yksikköä ennenkuin kaste on täysin kuivunut.
24. Puhdista langaton yksikkö pyyhkimällä se kevyesti kuivalla liinalla. Älä käytä puhdistamiseen bensiiniä, tinneriä, johtavaa rasvaa tai vastaavaa.
25. Säilytä langatonta yksikköä mukana toimituksessa kotelossa tai ei staattisessa säiliössä.
26. Älä liitä muita, kuin Makitan langattomia yksiköitä laitteeseen uraan.
27. Älä käytä laitetta uran kannen ollessa vaurioitunut. Uraan pääsevä vesi, pöly ja lika voivat aiheuttaa käyttöhäiriöitä.
28. Älä vedä ja/tai väännä uran kantta enempää kuin on tarpeen. Aseta kansi takaisin jos se irtoaa laitteesta.
29. Vaihda uran kansi sen ollessa kadonnut tai vaurioitunut.

SÄILYTÄ NÄMÄ OHJEET.

TOIMINTOJEN KUVAUS

⚠️HUOMIO: Varmista aina ennen säätöjä ja tarkastuksia, että työkalu on sammutettu ja akkupaketti irrotettu.

Akun asentaminen tai irrottaminen

⚠️HUOMIO: Sammuta työkalu aina ennen akun kiinnittämistä tai irrottamista.

⚠️HUOMIO: Pidä työkalusta ja akusta tiukasti kiinni, kun irrotat tai kiinnität akkua. Jos akkupaketti tai työkalu putoaa, ne voivat vaurioitua tai aiheuttaa tapaturman.

- **Kuva1:** 1. Punainen merkkivalo 2. Painike 3. Akkupaketti

Irrota akku painamalla akku etupuolella olevaa painiketta ja vetämällä akku ulos työkalusta.

Akku liitetään sovitamalla akun kieleke rungon uraan ja työntämällä se sitten paikoilleen. Työnnä akku pohjaan asti niin, että kulet sen napsahdavan paikoilleen. Jos painikkeen yläpuolella näkyy punainen ilmaisin, akku ei ole lukittunut täysin paikoilleen.











⚠️HUOMIO: Työnnä akku aina pohjaan asti, niin että punainen ilmaisin ei enää näy. Jos akku ei ole kunnolla paikallaan, se voi pudota työkalusta ja aiheuttaa vammoja joko sinulle tai sivullisille.

⚠️HUOMIO: Älä käytä voimaa akun asennuksessa. Jos akku ei liu'u paikalleen helposti, se on väärässä asennossa.

Akun jäljellä olevan varaustason ilmaisin

Painamalla tarkistuspainiketta saat näkyviin akun jäljellä olevan varaustason. Merkkivalot palavat muutaman sekunnin ajan.

- **Kuva2:** 1. Merkkivalot 2. Tarkistuspainike

Merkkivalot			Akussa jäljellä olevan varaus
 Palaa	 Pois päältä	 Viilkuu	
			75% - 100%
			50% - 75%
			25% - 50%
			0% - 25%
			Lataa akku.
 			Akussa on saattanut olla toimintahäiriö.

HUOMAA: Ilmoitettu varaustaso voi erota hieman todellisesta varaustasosta sen mukaan, millaisissa oloissa ja missä lämpötilassa laitetta käytetään.

Työkalun/akun suojausjärjestelmä

Työkalu on varustettu työkalu/akun suojausjärjestelmällä. Tämä järjestelmä pidentää työkalun ja akun käyttöikää katkaisemalla automaattisesti moottorin virran. Työkalu pysähtyy automaattisesti kesken käytön, jos työkalussa tai akussa ilmenee jokin seuraavista tilanteista:

Ylikuormitussuoja

Kun työkalua/akkua käytetään tavalla, joka saa sen kuluttamaan epätavallisen suuren määrän virtaa, työkalu pysähtyy automaattisesti ilman mitään merkkivaloa tai ilmaisinta. Katkaise tässä tilanteessa työkalusta virta ja lopeta ylikuormitustilan aiheuttanut käyttö. Käynnistä sitten työkalu uudelleen kytkemällä siihen virta.

Ylikuumenemissuoja

Kun työkalu/akku ylikuumentuu, työkalu pysähtyy automaattisesti. Anna työkalun jäähtyä, ennen kuin kytket sen uudelleen päälle.

Ylipurkautumissuoja

Kun akun varaus on riittämätön, työkalu pysähtyy automaattisesti. Irrota silloin akku työkalusta ja lataa se.

Suojalukituksen vapauttaminen

Jos suojausjärjestelmä aktivoituu toistuvasti, työkalu lukitaan.

Tässä tilassa työkalu ei käynnisty, vaikka sen virta katkaistaan ja kytketään. Voit vapauttaa suojalukituksen seuraavasti: irrota akku, aseta se akkulaturiin ja odota, että se latautuu kokonaan.

Akselilukko

Kun kiinnität tai irrotat lisälaitteita, estä a pyörimästä painamalla lukitusta.

- **Kuva3:** 1. Akselilukko

HUOMAUTUS: Älä koskaan kytke lukkoa päälle n pyörissä. Työkalu voi rikkoutua.

Kytkimen käyttäminen

⚠️HUOMIO: Varmista ennen akun asentamista työkaluun, että kytkinvipu toimii oikein ja palautuu "OFF"-asentoon, kun se vapautetaan.

⚠️HUOMIO: Käyttäjän turvallisuuden vuoksi työkalussa on lukituksen vapautusvipu, joka estää sen käynnistämisen vahingossa. ÄLÄ koskaan käytä työkalua, jos se käynnistyy pelkästään kytkinvipua painamalla ilman, että lukituksen vapautusvipua käytetään. Toimita työkalu valtuutettuun huoltoon korjattavaksi ENNEN KUIN jatkat sen käyttöä.

⚠️HUOMIO: Älä vedä kytkinvivusta voimakkaasi, ellei samalla paina lukituksen vapautusvipua. Kytkin voi rikkoutua.

⚠️HUOMIO: ÄLÄ koskaan teippaa tai ohita lukitusvipua.

► **Kuva4:** 1. Lukituksen vapautusvipu 2. Kytkinvipu

Työkalussa on lukituksen vapautusvipu, joka estää kytkinvivun painamisen vahingossa. Käynnistä työkalu vetämällä lukituksen vapautusvipua itseesi päin ja vetämällä sitten kytkinvipua. Pysäytä työkalu vapauttamalla kytkinvipu.

Nopeudensäätöpyörä

Laitteen pyörimisnopeutta voidaan muuttaa kiertämällä nopeudensäätöpyörää. Alapuolella olevassa taulukossa kuvataan säätöpyörän numerot ja vastaavat pyörimisnopeudet.

► **Kuva5:** 1. Nopeudensäätöpyörä

Numero	Nopeus
1	3 000 min ⁻¹
2	4 500 min ⁻¹
3	6 000 min ⁻¹
4	7 500 min ⁻¹
5	8 500 min ⁻¹

HUOMAUTUS: Jos laitetta käytetään jatkuvasti pitkään alhaisella nopeudella, moottori voi ylikuormittua ja aiheuttaa laitteen toimintahäiriön.

HUOMAUTUS: Jos nopeudensäätöpyörää on muutettava lukemasta "5" lukemaan "1", kierrä nopeudensäätöpyörää vastapäivään. Älä kierrä nopeudensäätöpyörää väkisin.

Vahinkokäynnistyksen estotoiminto

Vaikka kytkinvipua painettaisiin akkupaketin asennuksen aikana, työkalu ei käynnisty. Kun haluat käynnistää työkalun, vapauta ensin kytkinvipu. Vedä sitten lukituksen vapautusvipua ja paina kytkinvipua.

Elektroninen vääntömomentin ohjaustoiminto

Työkalu tunnistaa sähköisesti tilanteet, joissa laikka tai lisälaitte voi olla vaarassa juuttua. Silloin työkalu sammutuu automaattisesti ja estää akselin pyörimisen (se ei estä takapotkua). Voit käynnistää työkalun uudelleen sammuttamalla sen ensin, poistamalla syyn äkilliseen pyörimisnopeuden laskuun ja käynnistämällä työkalun.

Pehmeä käynnisty

Pehmeä käynnistystoiminto vaimentaa käynnistysnykäystä.

Sähköjarru

Vain mallissa GA027G/GA028G/GA029G

Mekaaninen jarru aktivoituu työkalun virran katkeamisen jälkeen.

Jarru ei toimi, jos virtalähteen virta katkaistaan, esimerkiksi jos akku irrotetaan vahingossa, mutta laitteen virtakytkin on päällä.

KOKOONPANO

▲HUOMIO: Varmista aina ennen säätöjä ja tarkastuksia, että työkalu on sammutettu ja akkupaketti irrotettu.

Sivukahvan asentaminen (kahva)

▲HUOMIO: Varmista aina ennen käyttöä, että sivukahva on tukevasti paikoillaan.

Kiinnitä sivukahva koneeseen kuvan osoittamalla tavalla.

► **Kuva6**

Laikan suojuksen asentaminen tai irrottaminen

▲VAROITUS: Jos käytössä on upotetulla navalla varustettu hiomalaikka, lamellilaikka, joustava laikka tai teräsharjalaikka, laikan suojuksen kiinnittävä työkaluun niin, että suojuksen umpinainen puoli tulee aina käyttäjää kohti.

▲VAROITUS: Varmista, että lukitusvipu on jossakin laikan suojuksen rei'istä ja pitää laikan suojuksen varmasti paikallaan.

▲VAROITUS: Varmista hiomakatkaisu-/timanttilaikkaa käyttäessäsi, että käytät ainoastaan katkaisulaikoille tarkoitettua erikoislaikansuojusta.

(Joissakin Euroopan maissa voidaan käyttää timanttilaikan kanssa tavallista suojusta. Noudata oman maasi määräyksiä.)

Upotetulla navalla varustettu laikka, lamellilaikka, joustolaikka, teräsharjalaikka / hiova katkaisulaikka, timanttilaikka

1. Pidä lukitusvipu painettuna ja kiinnitä laikan suojuksen ulokkeet tulevat laakerikotelon lovien kohdalle.

► **Kuva7:** 1. Lukitusvipu 2. Lovi 3. Uloke

2. Paina lukitusvipua suuntaan A ja paina samalla laikan suojuksen pitämällä sitä painettuna kohdista B kuvan mukaisesti.

► **Kuva8:** 1. Laikan suojuksen 2. Reikä

HUOMAA: Paina laikan suojuksen suoraan alas. Muutoin laikan suojusta ei saa painettua täysin pohjaan asti.

3. Pidä lukitusvipu ja laikan suojuksen vaiheen 2 mukaisissa asennoissa, kierrä laikan suojusta suuntaan C ja vaihda sitten laikan suojuksen kulma tehtävälle työlle sopivaksi.

► **Kuva9:** 1. Laikan suojuksen 2. Reikä

HUOMAA: Paina laikan suojuksen kokonaan pohjaan. Muutoin laikan suojusta ei saa kierrettyä.

Irrota laikan suojuksen päinvastaisessa järjestyksessä.

Upotetulla navalla varustetun laikan tai lamellilaikan asentaminen ja irrottaminen

Lisävaruste

VAROITUS: Jos käytössä on upotetulla navalla varustettu laikka tai lamellilaikka, laikan suojuos on kiinnitettävä työkaluun niin, että suojuksen umpinainen puoli tulee aina käyttäjää kohti.

HUOMIO: Varmista, että sisälaipan asennusosa sopii upotetulla navalla varustetun laikan/lamellilaikan sisäalhaisijaan täydellisesti. Sisälaipan asentaminen väärälle puolelle saattaa aiheuttaa vaarallista tärinää.

Asenna sisälaippa karaan.

Varmista, että sisälaipan upotettu kohta on vasten karan alaosan suoraa osaa.

Sovita upotetulla navalla varustettu laikka/lamellilaikka sisälaipalle ja kierrä lukkomutteri karaan.

► **Kuva10:** 1. Lukkomutteri 2. Upotetulla navalla varustettu laikka 3. Sisälaippa 4. Asennusosa

Kiristä lukkomutteri painamalla akselilukkoa voimakkaasti niin, ettei kara pääse pyörimään, ja kiristä lukkomutteri sitten lukkomutteriavaimella myötäpäivään kääntämällä.

► **Kuva11:** 1. Lukkomutteriavain 2. Akselilukko

Laikka irrotetaan päinvastaisessa järjestyksessä.

Joustolaikan kiinnitys ja irrotus

Lisävaruste

VAROITUS: Käytä aina mukana toimitettua suojusta, kun joustolaikka on kiinni työkalussa. Laikka voi hajota käytössä, joten suojuos vähentää henkilövahingon riskiä.

► **Kuva12:** 1. Lukkomutteri 2. Joustolaikka 3. Varatyyny 4. Sisälaippa

Noudata upotetulla navalla varustettua laikkaa koskevia ohjeita, mutta käytä lisäksi laikan päällä varatyynyä.

Katso asennusjärjestys tämän ohjeen lisävarustesivulta.

Hiomalaikan asentaminen tai irrottaminen

Lisävaruste

HUOMAA: Käytä vain tässä ohjekirjassa määritettyjä hiomakoneita. Ne on ostettava erikseen.

100 mm malli

► **Kuva13:** 1. Hionnan lukkomutteri 2. Hiomalaikka 3. Kumityyny 4. Sisälaippa

1. Asenna sisälaippa karaan.
 2. Asenna kumityyny karaan.
 3. Sovita laikka kumitynyyn ja kiinnitä hiomalaikan lukkomutteri karaan.
 4. Pidätä karaa akselilukolla ja kiristä hiomalaikan lukkomutteria myötäpäivään lukkomutteriavaimella.
- Irrota laikka päinvastaisessa järjestyksessä.

115 mm / 125 mm malli

► **Kuva14:** 1. Hionnan lukkomutteri 2. Hiomalaikka 3. Kumityyny

1. Asenna kumityyny karaan.
 2. Sovita laikka kumitynyyn ja kiinnitä hiomalaikan lukkomutteri karaan.
 3. Pidätä karaa akselilukolla ja kiristä hiomalaikan lukkomutteria myötäpäivään lukkomutteriavaimella.
- Irrota laikka päinvastaisessa järjestyksessä.

Ezynutin asennus tai irrotus

Lisävaruste

HUOMIO: Älä käytä Ezynutia superlaipan kanssa tai kulmahiomakoneissa, joiden mallinumero on F-kirjain. Nämä laipat ovat niin paksuja, ettei karan koko kierrettä voi käyttää.

► **Kuva15:** 1. Ezynut 2. Hiomalaikka 3. Sisälaippa 4. Kara

Kiinnitä sisälaippa, hiomalaikka ja Ezynut karaan niin, että Ezynutin Makita-logo näkyy ulospäin.

► **Kuva16:** 1. Karalukitus

Paina karalukkoa tiukasti ja kiristä Ezynut kiertämällä hiomalaikkaa myötäpäivään niin pitkälle kuin se menee. Voit löysätä kiinnityksen kiertämällä Ezynutin ulkokehää vastapäivään.

► **Kuva17:** 1. Nuoli 2. Lovi

► **Kuva18**

HUOMAA: Ezynut voidaan löysätä käsivoimin aina, kun nuoli on loven kohdalla. Muissa tapauksissa avaamiseen tarvitaan sakara-avainta. Sovita yksi avaimen sakara koloon ja kierrä Ezynutia vastapäivään.

Hiovan katkaisulaikan/timanttilaikan asentaminen

Lisävaruste

VAROITUS: Varmista hiomakatkaisu-/timanttilaikkaa käyttäessäsi, että käytät ainoastaan katkaisulaikoille tarkoitettua erikoislaikansuojusta.

(Joissakin Euroopan maissa voidaan käyttää timanttilaikan kanssa tavallista suojusta. Noudata oman maasi määräyksiä.)

VAROITUS: ÄLÄ KOSKAAN käytä katkisolaikkaa sivun hiontaan.

► **Kuva19:** 1. Lukkomutteri 2. Hiova katkaisulaikka/timanttilaikka 3. Sisälaippa 4. Hiovan katkaisulaikan/timanttilaikan suojuos

Noudata asennuksessa upotetulla navalla varustetun laikan ohjeita.

Sisälaipan ja lukkomutterin kiinnityssuunta vaihtelee laikan tyyppin ja paksuuden mukaan.

Katso yksityiskohtia seuraavista kuvista.

100 mm malli

Hiovan katkaisulaikan asennus:

- **Kuva20:** 1. Lukkomutteri 2. Hiova katkaisulaikka (ohuempi kuin 4 mm) 3. Hiova katkaisulaikka (4 mm tai paksumpi) 4. Sisälaippa

Timanttilaikan asennus:

- **Kuva21:** 1. Lukkomutteri 2. Timanttilaikka (ohuempi kuin 4 mm) 3. Timanttilaikka (4 mm tai paksumpi) 4. Sisälaippa

115 mm / 125 mm malli

Hiovan katkaisulaikan asennus:

- **Kuva22:** 1. Lukkomutteri 2. Hiova katkaisulaikka (ohuempi kuin 4 mm) 3. Hiova katkaisulaikka (4 mm tai paksumpi) 4. Sisälaippa

Timanttilaikan asennus:

- **Kuva23:** 1. Lukkomutteri 2. Timanttilaikka (ohuempi kuin 4 mm) 3. Timanttilaikka (4 mm tai paksumpi) 4. Sisälaippa

Teräskuppiharjan asentaminen

Lisävaruste

⚠HUOMIO: Älä käytä harjaa, jos se on vaurioitunut tai epätasapainossa. Vaurioituneen harjan käyttäminen voi aiheuttaa loukkaantumisvaaran katkenneiden harjasten takia.

- **Kuva24:** 1. Teräskuppiharja

Irrota akku työkalusta ja käännä työkalu ylösalaisin, jotta pääset hyvin käsiksi karaan. Poista karassa mahdollisesti olevat lisävarusteet. Kierrä teräskuppiharja karaan ja kiristä se työkalun mukana toimitettavalla avaimella.

Teräsharjalaikan asentaminen

Lisävaruste

⚠HUOMIO: Älä käytä teräsharjalaikkaa, jos se on vaurioitunut tai epätasapainossa. Vaurioituneen teräsharjalaikan käyttäminen voi aiheuttaa loukkaantumisvaaran katkenneiden harjasten takia.

⚠HUOMIO: Käytä teräsharjalaikan kanssa AINA suojusta. Varmista, että laikka mahtuu suojuksen sisäpuolelle. Laikka voi hajota käytössä, joten suojuksen vähentää henkilövahingon riskiä.

- **Kuva25:** 1. Teräsharjalaikka

Irrota akku työkalusta ja käännä työkalu ylösalaisin, jotta pääset hyvin käsiksi karaan. Poista karassa mahdollisesti olevat lisävarusteet. Kiinnitä teräsharjalaikka karaan ja kiristä se avaimella.

Pölynimurin kytkeminen

Lisävaruste

⚠VAROITUS: Älä koskaan imuroi hionnasta/sahauksesta/hiomisesta muodostuvia metallihiukkasia. Näiden toimintojen aikana muodostuvat metallihiukkaset ovat niin kuumia, että ne voivat sytyttää pölynimurin sisäpuolella olevan pölyn ja suodattimen palamaan.

Kivimateriaalin sahaamisesta muodostuvan pölyisen ympäristön välttämiseksi, käytä pölyä keräävää laikan suojusta ja pölynimuria. Katso pölyn keräävän laikan suojuksen käyttöohjeesta lisätietoja sen asentamisesta ja käytöstä.

- **Kuva26:** 1. Pölyä keräävä laikan suojuksen 2. Pölynimurin letku

TYÖSKENTELY

⚠VAROITUS: Älä koskaan pakota konetta. Koneen oma paino riittää. Pakottaminen ja liiallinen painaminen voi aiheuttaa vaarallisen laikan rikkoutumisen.

⚠VAROITUS: Vaihda laikka AINA, jos kone pääsee putoamaan hionnan aikana.

⚠VAROITUS: ÄLÄ KOSKAAN iske tai kolhi laikkaa työkappaleeseen.

⚠VAROITUS: Vältä laikan pomppimista ja jumittumista varsinkin silloin, kun työstät nurkkia, teräviä reunoja ja niin edelleen. Seurauksena voi olla hallinnan menetys ja takapotku.

⚠VAROITUS: ÄLÄ KOSKAAN asenna koneeseen puun leikkaamiseen tarkoitettuja teriä tai muita sahanteriä. Kulmahiomakoneessa käytettynä nämä terät aiheuttavat usein takapotkun ja hallinnan menetyksen, jolloin seurauksena voi olla henkilövahinko.

⚠HUOMIO: Älä koskaan käynnistä konetta, kun se koskettaa työkappaleeseen, koska tämä voi aiheuttaa käyttäjälle vammoja.

⚠HUOMIO: Käytä aina suojalaseja tai kasvosuojusta käytön aikana.

⚠HUOMIO: Käytön jälkeen katkaise koneesta aina virta ja odota, kunnes laikka on täysin pysähtynyt ennen kuin lasket koneen käsistä.

⚠HUOMIO: Ota työkalusta AINA tukeva ote toisen käden ollessa rungossa ja toisen käden ollessa sivukahvassa (kahva).

Hionta

- **Kuva27**

Käynnistä kone ja vie sitten laikka työkappaleeseen. Pidä yleisesti laikkaa noin 15°:een kulmassa työkappaleen pintaan nähden.

Kun ajat sisään uuttavaa laikkaa, älä käytä hiomakonetta hioaksesi eteenpäin, koska tällöin laikka voi leikata työkappaleeseen. Sitten kun laikan reuna on pyörästynyt käytössä, konetta voidaan käyttää sekä eteenpäin että taaksepäin.

Hiovan katkaisulaikan/timanttilaikan käyttäminen

Lisävaruste

VAROITUS: Älä anna laikan juuttua kiinni tai työnnä sitä liiallisella voimalla. Älä yritä tehdä liian syvää uraa. Laikan liiallinen painaminen voi aiheuttaa laikan kiertymisen tai juuttumisen, takapotkun, laikan rikkoutumisen tai moottorin ylikuumenemisen.

VAROITUS: Älä aloita leikkaamista työkalu kiinni työstettävässä kappaleessa. Anna laikan saavuttaa täysi nopeus ja aseta se varovasti leikkattavaan kohtaan työntämällä työkalua eteenpäin työstettävän kappaleen pinnan yli. Laikka saattaa juuttua, nousta ylös tai potkaista takaisin, jos työkalu käynnistetään kiinni työstettävässä kappaleessa.

VAROITUS: Leikkaustoiminnan aikana, älä koskaan vaihda laikan kulmaa. Jos sijoitat katkaisulaikkaan sivupainetta (kuten hiomisen aikana), se voi aiheuttaa laikan murtumisen ja katkeamisen, mikä voi aiheuttaa henkilövamman.

VAROITUS: Timanttilaikkaa on pidettävä koh-tisuorassa leikkattavaan materiaaliin nähden.

Käyttöesimerkki: hiovan katkaisulaikan käyttäminen

► Kuva28

Käyttöesimerkki: timanttilaikan käyttäminen

► Kuva29

Teräskuppiharjan käyttö

Lisävaruste

HUOMIO: Tarkista harjan toiminta käyttämällä työkalua ilman kuormitusta. Varmista, ettei kukaan ole harjan tiellä.

HUOMAUTUS: Vältä liiallista painamista, koska se voi aiheuttaa harjasten liiallista taipumista teräskuppiharjaa käytettäessä. Se voi aiheuttaa ennenaikaisen rikkoutumisen.

Käyttöesimerkki: teräskuppiharjan käyttäminen

► Kuva30

Teräsharjalaikan käyttäminen

Lisävaruste

HUOMIO: Tarkista teräsharjalaikan toiminta käyttämällä työkalua ilman kuormitusta. Varmista, ettei kukaan ole teräsharjalaikan tiellä.

HUOMAUTUS: Vältä liiallista painamista, koska se voi aiheuttaa harjasten liiallista taipumista harjalaikkaa käytettäessä. Se voi aiheuttaa ennenaikaisen rikkoutumisen.

Käyttöesimerkki: teräsharjalaikan käyttäminen

► Kuva31

LANGATON AKTIVOINTITOIMINTO

Mitä langattomalla aktivointitoiminnolla voi tehdä

Langaton aktivointitoiminto mahdollistaa puhtaan ja miellyttävän käyttötoiminnan. Liittämällä tuettu polynimuri laitteeseen, voit käyttää polynimuria automaattisesti yhdessä laitteen kytkintoiminnon kanssa.

► Kuva32

Langattoman aktivointitoiminnon käyttämiseksi valmis-tele seuraavat kohdat:

- Langaton yksikkö (lisävaruste)
- Polynimuri, joka tulee langatonta aktivointitoimintoa

Langattoman aktivointitoiminnon asetuksen kuvaus on seuraavana. Katso jokaisen osion yksityiskohtaiset ohjeet.

1. Langattoman yksikön asennus
2. Laitteen rekisteröinti polynimuriin
3. Langattoman aktivointitoiminnon aloitus

Langattoman yksikön asennus

Lisävaruste

HUOMIO: Aseta laite tasaisen ja vakaan pinnan päälle langattoman yksikön asentamiseksi.

HUOMAUTUS: Puhdista laitteesta pöly ja lika ennen langattoman yksikön asentamista. Pöly ja lika voivat aiheuttaa käyttöhäiriöitä päästessään langattoman yksikön uraan.

HUOMAUTUS: Staattisuudesta aiheutuvien käyttöhäiriöiden estämiseksi kosketa staattisesti purkautuvaa materiaalia, kuten laitteen metalliosia ennen langattoman yksikön nostamista.

HUOMAUTUS: Varmista aina langattoman yksikön asennuksen aikana, että langaton yksikkö on liitetty oikeassa suunnassa ja kansi on suljettu täysin kiinni.

1. Avaa laitteen kansi kuvan osoittamalla tavalla.

► Kuva33: 1. Kansi

2. Liitä langaton yksikkö uraan ja tämän jälkeen sulje kansi.

Langattoman yksikön liittämisen aikana kohdista kielekkeet uran loviosioihin.

► Kuva34: 1. Langaton yksikkö 2. Kieleke 3. Kansi 4. Loviosio

Avaa kansi hitaasti langattoman yksikön irrottamisen aikana. Kannen takana olevat koukut nostavat langattoman yksikön ylös samalla kun nostat kannen ylös.

► Kuva35: 1. Langaton yksikkö 2. Koukku 3. Kansi

Säilytä langatonta yksikköä mukana toimitetussa kotelossa tai ei staattisessa säiliössä sen irrottamisen jälkeen.

HUOMAUTUS: Käytä aina kannen takana olevia koukkuja langattoman yksikön irrottamisen aikana. Jos koukut eivät tartu langattomaan yksikköön, sulje kansi täysin kiinni ja avaa se hitaasti uudelleen.

Laitteen rekisteröinti pölynimurille

HUOMAA: Makita pölynimuri tukee langatonta aktiivitoimintoa, joka vaaditaan laiterekisteröintiä varten.

HUOMAA: Viimeistele langattoman yksikön asennus laitteeseen ennen laiterekisteröinnin aloittamista.

HUOMAA: Älä paina liipaisinkytkintä tai aseta pölynimurin virtakytkintä päälle laiterekisteröinnin aikana.

HUOMAA: Katso lisätietoja myös pölynimurin käyttöohjeesta.

Jos haluat aktivoida pölynimurin yhdessä laitteen kytkintoiminnon kanssa, viimeistele laiterekisteröinti ensin.

1. Asenna akut pölynimuriin ja laitteeseen.
2. Aseta pölynimurin valmiustilan kytkin asentoon "AUTO".
► **Kuva36:** 1. Valmiustilan kytkin
3. Paina pölynimurin langatonta aktiivointipainiketta noin 3 sekunnin ajan, kunnes langattoman aktiivoinnin merkkivalo vilkkuu vihreänä. Ja tämän jälkeen paina laitteen langatonta aktiivointipainiketta samalla tavalla.
► **Kuva37:** 1. Langaton aktiivointipainike
2. Langattoman aktiivoinnin merkkivalo

Jos pölynimuri ja laite kytketään oikein, langattoman aktiivoinnin merkkivalo palaa vihreänä 2 sekunnin ajan ja vilkkuu tämän jälkeen sinisenä.

HUOMAA: Langattoman aktiivoinnin merkkivalo lopettaa vilkkumisen vihreänä 20 sekunnin kuluttua. Paina laitteen langatonta aktiivointipainiketta samalla kun imurin langattoman aktiivoinnin merkkivalo vilkkuu. Jos langattoman aktiivoinnin merkkivalo ei vilku vihreänä, paina langatonta aktiivointipainiketta lyhyesti ja pidä sitä painettuna alas.

HUOMAA: Suoritettaessa kaksi tai useampaa laiterekisteröintiä yhdelle pölynimurille, lopeta laiterekisteröinti yksi kerrallaan.

Langattoman aktiivointitoiminnon aloitus

HUOMAA: Viimeistele laiterekisteröinti pölynimurille ennen langatonta aktiivointia.

HUOMAA: Katso lisätietoja myös pölynimurin käyttöohjeesta.

Kun laite on rekisteröity pölynimurille, pölynimuri toimii automaattisesti yhdessä laitteen kytkintoiminnon kanssa.

1. Langattoman yksikön asennus laitteeseen.
2. Kiinnitä pölynimurin letku laitteeseen.
► **Kuva38**
3. Aseta pölynimurin valmiustilan kytkin asentoon "AUTO".
► **Kuva39:** 1. Valmiustilan kytkin
4. Paina laitteen langatonta aktiivointipainiketta lyhyesti. Langattoman aktiivoinnin merkkivalo vilkkuu sinisenä.
► **Kuva40:** 1. Langaton aktiivointipainike
2. Langattoman aktiivoinnin merkkivalo

5. Paina laitteen liipaisinkytkintä. Tarkasta, onko pölynimuri käynnissä samalla kun liipaisinkytkintä pidetään painettuna.

Lopeta pölynimurin langaton aktiivointi painamalla laitteen langatonta aktiivointipainiketta.

HUOMAA: Laitteen langattoman aktiivoinnin merkivalo lopettaa vilkkumisen sinisenä, jos mitään toimintoa ei ole suoritettu 2 tunnin aikana. Tässä tapauksessa aseta pölynimurin valmiustilan kytkin asentoon "AUTO" ja paina uudelleen laitteen langatonta aktiivointipainiketta.

HUOMAA: Pölynimuri käynnistyy/sammuu viiveellä. Käytössä on aikaviive kun pölynimuri tunnistaa laitteen kytkintoiminnon.




HUOMAA: Langattoman yksikön lähetysetäisyys voi vaihdella riippuen sijainnista ja ympäristön olosuhteista.

HUOMAA: Jos kaksi tai useampia laitteita rekisteröidään yhdelle pölynimurille, pölynimuri voi aloittaa toiminnan vaikka ei olisi painanut liipaisinkytkintä, koska toinen käyttäjä käyttää langatonta aktiivointitoimintoa.

Langattoman aktiivoinnin merkkivalon tilan kuvaus

► Kuva41: 1. Langattoman aktiivoinnin merkkivalo

Langattoman aktiivoinnin merkkivalo osoittaa langattoman aktiivitoiminnan tilan. Katso merkkivalon tilaa koskeva tarkoitussuoritus alapuolella olevasta taulukosta.

Tila	Langattoman aktiivoinnin merkkivalo				Kuvaus
	Väri	 Pääällä	 Viikkuu	Kesto	
Valmiustila	Sininen		<input checked="" type="checkbox"/>	2 tuntia	Pölynimurin langaton aktiivointi on käytettävissä. Merkkivalo sammuu automaattisesti jos mitään toimintaa ei ole suoritettu 2 tunnin aikana.
			<input type="checkbox"/>	Kun laite on käynnissä.	Pölynimurin langaton aktiivointi on käytettävissä ja laite on käynnissä.
Laiterekisteröinti	Vihreä		<input checked="" type="checkbox"/>	20 sekuntia	Valmis laiterekisteröintiä varten. Odottaa rekisteröintiä pölynimurilta.
			<input type="checkbox"/>	2 sekuntia	Laiterekisteröinti on valmis. Langattoman aktiivoinnin merkkivalo vilkkuu sinisenä.
Laiterekisteröinnin peruutus	Punainen		<input checked="" type="checkbox"/>	20 sekuntia	Valmis laiterekisteröinnin peruutukseen. Odottaa peruutusta pölynimurilta.
			<input type="checkbox"/>	2 sekuntia	Laiterekisteröinnin peruutus on valmis. Langattoman aktiivoinnin merkkivalo vilkkuu sinisenä.
Muut	Punainen		<input type="checkbox"/>	3 sekuntia	Langattomalle yksikölle syötetään virtaa ja langaton aktiivitoiminto käynnistyy.
	Pois päältä	-	-	-	Pölynimurin langaton aktiivointi on pysäytetty.

Laiterekisteröinnin peruutus pölynimurille

Suorita seuraavat toimenpiteet peruuttaessasi laiterekisteröinnin pölynimurille.

1. Asenna akut pölynimuriin ja laitteeseen.
2. Aseta pölynimurin valmiustilan kytkin asentoon "AUTO".

► Kuva42: 1. Valmiustilan kytkin

3. Paina pölynimurin langatonta aktiivointipainiketta 6 sekunnin ajan. Langattoman aktiivoinnin merkkivalo vilkkuu vihreänä ja tämän jälkeen punaisena. Tämän jälkeen paina laitteen langatonta aktiivointipainiketta samalla tavalla.

- **Kuva43:** 1. Langaton aktiivointipainike
2. Langattoman aktiivoinnin merkkivalo

Jos peruutus suoritetaan oikein, langattoman aktiivoinnin merkkivalo palaa punaisena 2 sekunnin ajan ja vilkkuu tämän jälkeen sinisenä.

HUOMAA: Langattoman aktiivoinnin merkkivalo lopettaa vilkkumisen punaisena 20 sekunnin kuluttua. Paina laitteen langatonta aktiivointipainiketta samalla kun imurin langattoman aktiivoinnin merkkivalo vilkkuu. Jos langattoman aktiivoinnin merkkivalo ei vilkku punaisena, paina langatonta aktiivointipainiketta lyhyesti ja pidä sitä painettuna alas.

Langattoman aktiivitoiminnon vianetsintä

Tarkista laite ensin itse, ennen kuin viet sen korjattavaksi. Jos ongelmaan ei löydy ratkaisua käyttöoppaasta, älä kuitenkaan yritä purkaa työkalua osiin. Vie ota sen sijaan yhteyttä Makita-huoltoliikkeeseen. Käytä korjaamiseen aina alkuperäisiä Makita-varaosia.

Epänormaali tila	Todennäköinen syy (toimintahäiriö)	Korjaus
Langattoman aktiivoinnin merkivalo ei pala/vilkkuu.	Langatonta yksikköä ei ole asennettu laitteeseen. Langaton yksikkö on asennettu virheellisesti laitteeseen.	Asenna langaton yksikkö oikein.
	Langattoman yksikön liitäntä ja/tai ura on likainen.	Pyyhi langattoman yksikön liitäntä varovaisesti pölystä ja liasta ja puhdista ura.
	Laitteen langatonta aktiivointipainiketta ei ole painettu.	Paina laitteen langatonta aktiivointipainiketta lyhyesti.
	Pölynimurin valmiustilan kytkintä ei ole asetettu asentoon "AUTO".	Aseta pölynimurin valmiustilan kytkin asentoon "AUTO".
	Ei virransyöttöä	Syötä virtaa laitteelle ja pölynimurille.
Laiterekisteröintiä/laiterekisteröinnin peruutusta ei voi viimeistellä oikein.	Langatonta yksikköä ei ole asennettu laitteeseen. Langaton yksikkö on asennettu virheellisesti laitteeseen.	Asenna langaton yksikkö oikein.
	Langattoman yksikön liitäntä ja/tai ura on likainen.	Pyyhi langattoman yksikön liitäntä varovaisesti pölystä ja liasta ja puhdista ura.
	Pölynimurin valmiustilan kytkintä ei ole asetettu asentoon "AUTO".	Aseta pölynimurin valmiustilan kytkin asentoon "AUTO".
	Ei virransyöttöä	Syötä virtaa laitteelle ja pölynimurille.
	Virheellinen toiminta	Paina langatonta aktiivointipainiketta lyhyesti ja suorita laiterekeröinti/peruutus uudelleen.
	Laite ja pölynimuri ovat kaukana toisistaan (lähetyalueen ulkopuolella).	Siirrä laite ja pölynimuri lähemmäksi toisiaan. Maksimilähetysetäisyys on noin 10 m, mutta se voi kuitenkin vaihdella olosuhteista riippuen.
	Ennen laiterekeröinnin/peruutuksen viimeistelyä; - laitteen liipaisinkytkintä on painettu tai; - pölynimurin virtakytkin on kytketty päälle.	Paina langatonta aktiivointipainiketta lyhyesti ja suorita laiterekeröinti/peruutus uudelleen.
	Laiterekisteröintiä laitteelle tai pölynimurille ei ole viimeistelyä.	Suorita laiterekeröinti sekä laitteelle että pölynimurille samanaikaisesti.
	Muiden laitteiden aiheuttama radiohäiriö voi muodostaa erittäin voimakkaita radioaaltoja.	Pidä laite ja pölynimuri kaukana laitteista, kuten Wi-Fi-laitteet ja mikroaaltouunit.
	Pölynimuri ei toimi yhdessä laitteen kytkintoiminnon kanssa.	Langatonta yksikköä ei ole asennettu laitteeseen. Langaton yksikkö on asennettu virheellisesti laitteeseen.
Langattoman yksikön liitäntä ja/tai ura on likainen.		Pyyhi langattoman yksikön liitäntä varovaisesti pölystä ja liasta ja puhdista ura.
Laitteen langatonta aktiivointipainiketta ei ole painettu.		Paina langatonta aktiivointipainiketta lyhyesti ja varmista, että langattoman aktiivoinnin merkivalo vilkkuu sinisenä.
Pölynimurin valmiustilan kytkintä ei ole asetettu asentoon "AUTO".		Aseta pölynimurin valmiustilan kytkin asentoon "AUTO".
Yli 10 laitetta on rekisteröity pölynimurille.		Suorita laiterekeröinti uudelleen. Jos yli 10 laitetta on rekisteröity pölynimurille, aikaisemmin rekisteröity laite peruutetaan automaattisesti.
Pölynimuri poistaa kaikki laiterekeröinnit.		Suorita laiterekeröinti uudelleen.
Ei virransyöttöä		Syötä virtaa laitteelle ja pölynimurille.
Laite ja pölynimuri ovat kaukana toisistaan (lähetyalueen ulkopuolella).		Siirrä laite ja pölynimuri lähemmäksi toisiaan. Maksimilähetysetäisyys on noin 10 m, mutta se voi kuitenkin vaihdella olosuhteista riippuen.
Muiden laitteiden aiheuttama radiohäiriö voi muodostaa erittäin voimakkaita radioaaltoja.		Pidä laite ja pölynimuri kaukana laitteista, kuten Wi-Fi-laitteet ja mikroaaltouunit.
Pölynimuri on käynnissä samalla kun liipaisinkytkintä ei paineta.	Muut käyttäjät käyttävät pölynimurin langatonta aktiivointia heidän laitteillaan.	Katkaise muiden laitteiden langaton aktiivointipainike tai peruuta muiden laitteiden laiterekeröinti.

KUNNOSSAPITO

▲HUOMIO: Varmista aina ennen tarkastusta tai huoltoa, että työkalu on sammutettu ja akku irrotettu.

HUOMAUTUS: Älä koskaan käytä bensiiniä, ohenteita, alkoholia tai tms. aineita. Muutoin pinta voi halkeilla tai sen värit ja muoto voivat muuttua. Muutoin laitteeseen voi tulla värjäytymiä, muodon vääristymiä tai halkeamia.

Koneen TURVALLISUUDEN ja LUOTETTAVUUDEN säilyttämiseksi korjaukset sekä muut huoltotoimet ja säädöt on jätettävä Makitan valtuuttaman huollon tehtäväksi käyttäen aina Makitan alkuperäisiä varaosia.

Ilma-aukkojen puhdistaminen

Kone ja sen ilma-aukot on pidettävä puhtaina. Puhdista koneen ilma-aukot säännöllisesti tai aina kun ne alkavat tukkeutua.

► **Kuva44:** 1. Ilman poistoaukko 2. Ilman tuloaukko

Varmista ilman tasainen kierto irrottamalla pölysuojus ilmanottoaukosta ja puhdistamalla se.

► **Kuva45:** 1. Pölysuojus

HUOMAUTUS: Puhdista pölysuojus, jos se on vierasaineiden tukkima. Työn jatkaminen tukkeutunutta pölysuojusta käyttäen voi vaurioittaa työkalua.

LISÄVARUSTEET

▲HUOMIO: Seuraavia lisävarusteita tai laitteita suositellaan käytettäväksi tässä ohjeessa kuvatun Makita-tökalun kanssa. Muiden lisävarusteiden tai laitteiden käyttö voi aiheuttaa henkilövahinkoja. Käytä lisävarusteita ja -laitteita vain niiden käyttötarkoituksen mukaisesti.

Jos tarvitset apua tai yksityiskohtaisempia tietoja seuraavista lisävarusteista, ota yhteys paikalliseen Makitan huoltoon.

- Aito Makitan akku ja laturi

► **Kuva46**

-	100 mm malli	115 mm malli	125 mm malli
1		Kahva 36	
2		Laikan suojus (hiomalaikalle)	
3		Sisälaippa	
4		Upotetulla navalla varustettu laikka / lamellilaikka	
5		Lukkomutteri	
6		Varatyyny	
7		Joustolaikka	
8	Sisempi laippa ja kumityyny 76	Kumityyny 100	Kumityyny 115
9		Hiomalaikka	
10		Hionnan lukkomutteri	
11		Teräsharjalaikka	
12		Teräskuppiharja	
13		Laikan suojus (katkaisulaikalle) *1	
14		Hiova katkaisulaikka / timanttilaikka	
15		Pölyä keräävä laikan suojus	
-		Lukkomutteriävin	

HUOMAA: *1 Joissakin Euroopan maissa timanttilaikkaa käytettäessä voidaan käyttää tavallista suojusta molemmat puolet peittävän erikoislaikan sijaan. Noudata oman maasi määräyksiä.

HUOMAA: Jotkin luettelossa mainitut varusteet voivat sisältyä työkalun toimitukseen vakiovarusteina. Ne voivat vaihdella maittain.

SPECIFIKATIONER

Model:	GA027G	GA028G	GA029G	GA030G	GA031G	GA032G
Skivediameter	100 mm (4")	115 mm (4-1/2")	125 mm (5")	100 mm (4")	115 mm (4-1/2")	125 mm (5")
Maks. skivetykkelse	6,4 mm	7,2 mm		6,4 mm	7,2 mm	
Spindelgevind	M10	M14 eller 5/8" (landespecifik)		M10	M14 eller 5/8" (landespecifik)	
Nominal hastighed (n)	8.500 min ⁻¹					
Samlet længde	med BL4025		413 mm			
	med BL4040		425 mm			
Nettovægt	2,9 - 3,4 kg	3,0 - 3,6 kg	3,0 - 4,5 kg	2,8 - 3,4 kg	2,9 - 3,6 kg	3,0 - 4,4 kg
Mærkespænding	D.C. 36 V - 40 V maks.					

- På grund af vores kontinuerlige forsknings- og udviklingsprogrammer kan hosstående specifikationer blive ændret uden varsel.
- Specifikationer kan variere fra land til land.
- Vægten kan være anderledes afhængigt af tilbehøret, inklusive akkuen. Den letteste og tungeste kombination i henhold til EPTA-procedure 01/2014 er vist i tabellen.

Anvendelig akku og oplader

Akku	BL4025 / BL4040
Oplader	DC40RA

- Nogle af de akkuer og opladere, der er angivet ovenfor, er muligvis ikke tilgængelige, afhængigt af hvilket område du bor i.

⚠ ADVARSEL: Brug kun de akkuer og opladere, der er angivet ovenfor. Brug af andre akkuer og opladere kan medføre personskade og/eller brand.

Tilsligtet anvendelse

Denne maskine er beregnet til afslibning, sandslibning, trådbørstning og skæring i metal- og stenmaterialer uden anvendelse af vand.

Støj

Det typiske A-vægtede støjniveau bestemt i overensstemmelse med EN60745-2-3:

Model	Lydtrykniveau (L _{pA}): (dB (A))	Lydeffektniveau (L _{WA}): (dB (A))	Usikkerhed (K): (dB (A))
GA027G	81	92	3
GA028G	81	92	3
GA029G	82	93	3
GA030G	81	92	3
GA031G	81	92	3
GA032G	82	93	3

BEMÆRK: De(n) angivne støjemissionsværdi(er) er målt i overensstemmelse med en standardtestmetode og kan anvendes til at sammenligne en maskine med en anden.

BEMÆRK: De(n) angivne støjemissionsværdi(er) kan også anvendes i en præliminær eksponeringsvurdering.

⚠ ADVARSEL: Bær høreværn.

⚠ ADVARSEL: Støjemissionen under den faktiske anvendelse af maskinen kan være forskellig fra de(n) angivne værdi(er), afhængigt af den måde hvorpå maskinen anvendes, især den type arbejdsemne der behandles.

⚠ ADVARSEL: Sørg for at identificere de sikkerhedsforskrifter til beskyttelse af operatøren, som er baseret på en vurdering af eksponering under de faktiske brugsforhold (med hensyntagen til alle dele i brugskycyklussen, f.eks. de gange, hvor maskinen er slukket, og når den kører i tomgang i tilgift til afbrydertiden).

Vibrationens totalværdi (tre-aksial vektorsum) bestemt i overensstemmelse med EN60745-2-3:

Funktionstilstand: overfladeslibning med normalt sidehåndtag

Model	Vibrationsafgivelse ($a_{hr, A0}$): (m/s^2)	Usikkerhed (K): (m/s^2)
GA027G	4,5	1,5
GA028G	5,0	1,5
GA029G	6,0	1,5
GA030G	4,5	1,5
GA031G	5,0	1,5
GA032G	6,0	1,5

Funktionstilstand: overfladeslibning med anti-vibrations-sidehåndtag

Model	Vibrationsafgivelse ($a_{hr, A0}$): (m/s^2)	Usikkerhed (K): (m/s^2)
GA027G	4,5	1,5
GA028G	5,0	1,5
GA029G	6,5	1,5
GA030G	4,5	1,5
GA031G	5,0	1,5
GA032G	6,5	1,5

Funktionstilstand: disksandslibning med normalt sidehåndtag

Model	Vibrationsafgivelse ($a_{hr, A0}$): (m/s^2)	Usikkerhed (K): (m/s^2)
GA027G	2,5 m/s^2 eller mindre	1,5
GA028G	2,5	1,5
GA029G	3,0	1,5
GA030G	2,5 m/s^2 eller mindre	1,5
GA031G	2,5	1,5
GA032G	3,0	1,5

Funktionstilstand: disksandslibning med anti-vibrations-sidehåndtag

Model	Vibrationsafgivelse ($a_{hr, A0}$): (m/s^2)	Usikkerhed (K): (m/s^2)
GA027G	2,5 m/s^2 eller mindre	1,5
GA028G	2,5	1,5
GA029G	3,0	1,5
GA030G	2,5 m/s^2 eller mindre	1,5
GA031G	2,5	1,5
GA032G	3,0	1,5

BEMÆRK: De(n) angivne totalværdi(er) for vibration er målt i overensstemmelse med en standardtestmetode og kan anvendes til at sammenligne en maskine med en anden.

BEMÆRK: De(n) angivne totalværdi(er) for vibration kan også anvendes i en præliminær eksponeringsvurdering.

⚠ ADVARSEL: Vibrationsemissionen under den faktiske anvendelse af maskinen kan være forskellig fra de(n) angivne værdi(er), afhængigt af den måde hvorpå maskinen anvendes, især den type arbejdsemne der behandles.

⚠ ADVARSEL: Sørg for at identificere de sikkerhedsforskrifter til beskyttelse af operatøren, som er baseret på en vurdering af eksponering under de faktiske brugsforhold (med hensyntagen til alle dele i brugscyklussen, f.eks. de gange, hvor maskinen er slukket, og når den kører i tomgang i tilgift til afbyrtdtiden).

⚠ ADVARSEL: Den erklærede værdi for vibrationsemission gælder for el-værktøjets primære anvendelser. Hvis el-værktøjet imidlertid anvendes til andre formål, kan værdien for vibrationsemission være anderledes.

Kun for lande i Europa

EF-overensstemmelseserklæringen er inkluderet som Bilag A i denne brugsanvisning.

SIKKERHEDSADVARSLER

Almindelige sikkerhedsregler for el-værktøj

⚠ ADVARSEL: Læs alle de sikkerhedsadvarsler, instruktioner, illustrationer og specifikationer, der følger med denne maskine. Forsømmelse af at overholde alle nedenstående instruktioner kan medføre elektrisk stød, brand og/eller alvorlig personskade.

Gem alle advarsler og instruktioner til fremtidig reference.

Ordet "el-værktøj" i advarslerne henviser til det netforsyede (netledning) el-værktøj eller batteriforsyede (akku) el-værktøj.

Sikkerhedsadvarsler for ledningsfri vinkelsliber

Almindelige sikkerhedsadvarsler for arbejde med slibning, slibning med sandpapir, trådbørstning eller slibende afskæring:

1. Denne maskine er beregnet til at fungere som en sliber, slibemaskine med sandpapir, trådbørste eller afskæringsværktøj. Læs alle de sikkerhedsadvarsler, instruktioner, illustrationer og specifikationer, som følger med denne maskine. Forsømmelse af at følge alle instruktionerne herunder kan resultere i elektrisk stød, brand og/eller alvorlig tilskadekomst.
2. Det anbefales ikke at udføre operationer som for eksempel polering med denne maskine. Anvendelse, som maskinen ikke er beregnet til, kan være farligt og føre til personskade.
3. Anvend ikke tilbehør, som ikke er specifikt lavet og anbefalet af maskinens fabrikant. Den omstændighed, at tilbehøret kan monteres på din maskine, er ingen garanti for, at anvendelsen bliver sikkerhedsmæssig forsvarlig.
4. Tilbehørets nominelle hastighed skal være beregnet til mindst den samme som den maksimale hastighed, som er anført på maskinen. Tilbehør, som kører med en større hastighed end deres nominelle hastighed, kan brække og slynges af.
5. Tilbehørets ydre diameter og tykkelse skal være inden for din maskines kapacitetsrating. Tilbehør med en forkert størrelse kan ikke beskyttes eller styres tilstrækkeligt.
6. Gevindmontering af tilbehør skal passe til maskinens spindelgevind. For tilbehør, som monteres med flanger, skal dornhullet på tilbehøret passe til lokaliseringsdiametere på flangen. Tilbehør, som ikke passer til maskinens monteringsdele, vil miste balancen, vibrere ekstremt og kan føre til tab af kontrol.

7. Anvend ikke beskadede sikkerheds- inspicier altid tilbehøret inden brugen, som for eksempel slibeskiver, for skår og revner, bagskiven for revner, slitage eller ekstrem nedslidning, trådbørsten for løse eller revnede træde. Hvis maskinen eller tilbehøret tabes, skal de efterses for skade, eller en ubeskadiget tilbehørsdel skal monteres. Efter inspektion og montering af tilbehør, skal De og omkringstående stå på god afstand af det roterende tilbehørs flade, og maskinen skal køres på højeste, ubelastede hastighed i et minut. Beskadede tilbehør vil normalt brække under prøvetiden.
8. Anvend personligt beskyttelsesudstyr. Afhængigt af brugen skal der anvendes ansigtsskærm, beskyttelsesbriller eller sikkerhedsbriller. Anvend, alt efter forholdene, støvmaske, høreværn, handsker og forklæde, som kan stoppe små slibningsstykker eller fragmenter fra arbejdsemnet. Øjenbeskyttelsen skal kunne stoppe afslængede stykker, som er frembragt af forskelligt arbejde. Støvmasken og respiratoren skal være i stand til at frafiltrere partikler, som er frembragt af arbejdet. Længere tids udsættelse for støj af høj intensitet kan medføre høretab.
9. Hold tilskuere på god afstand af arbejdsområdet. Enhver person, som befinder sig i arbejdsområdet, skal bære personligt beskyttelsesudstyr. Fragmenter fra arbejdsemner eller fra brækket tilbehør kan blive slynget af og være årsag til tilskadekomst, også uden for det umiddelbare arbejdsområde.
10. Hold kun maskinen i dens isolerede gribe-flader, når du udfører et stykke arbejde, hvor skæremaskinen kan komme i berøring med skjulte ledninger. Kontakt med en strømførende ledning vil bevirke, at blottede metaldele på maskinen også bliver strømførende, hvorved operatøren kan få stød.
11. Læg aldrig maskinen fra Dem, før tilbehøret er stoppet fuldstændigt. Det roterende tilbehør kan gribe fat i overfladen, hvilket kan bevirke, at De mister herredømmet over maskinen.
12. Lad ikke maskinen køre, mens De bærer den ved siden. Utilsiget kontakt med det roterende tilbehør kan gribe fat i tøjet og derved trække tilbehøret ind mod kroppen.
13. Rengør maskinens ventilationsåbninger med jævne mellemrum. Motorens vifte vil trække støv ind i huset, og en kraftig ophobning af metalstøv kan skabe elektrisk fare.
14. Anvend ikke maskinen i nærheden af brændbare materialer. Disse materialer kan blive antændt af gnister.
15. Anvend ikke tilbehør, der kræver kølevæske. Anvendelse af vand eller anden kølevæske kan resultere i dødelige stød eller elektriske stød.

Tilbageslag og relaterede advarsler

Tilbageslag er en pludselig reaktion på en fastklemt eller blokeret roterende skive, bagskive, børste eller andet tilbehør. En fastklemt eller blokeret del forårsager hurtigt standsning af det roterende tilbehør, som derved bliver årsag til, at den ukontrollerede maskine bliver tvunget i den modsatte retning af tilbehørets rotation ved punktet for bindingen.

Hvis for eksempel en slibesliv eller er blokeret eller fastklemt af arbejdsmednet, kan kanten på skiven, som går ind i fastklemningspunktet, grave sig ind i materialets overflade og derved bevirke, at skiven kommer ud eller presses ud. Skiven kan enten slynges mod eller bort fra operatøren, afhængigt af skivens bevægelse på fastklemningspunktet. Slibeskiver kan også brække under disse forhold. Tilbageslag er resultatet af misbrug af maskinen og/eller fejlagtig anvendelse eller forkerte brugsforhold og kan undgås ved at man tager de rigtige forholdsregler som vist herunder.

1. **Hold godt fast i maskinen og hold kroppen og armen således, at De kan modvirke tilbageslagskraften.** Anvend altid **hjelpehåndtaget, hvis et sådant medfølger, til at opnå maksimal kontrol af tilbageslag og drejningsmomentreaktion under starten.** Operatøren kan kontrollere drejningsmomentreaktion eller tilbageslagskraft, hvis de rigtige forholdsregler tages.
2. **Anbring aldrig hænderne i nærheden af det roterende tilbehør.** De risikerer at få hånden ind i tilbageslagets bane.
3. **Stil Dem ikke i det område, hvor maskinen vil bevæge sig, hvis der opstår tilbageslag.** Tilbageslag vil slynge maskinen i den modsatte retning af skivens omdrejning på blokeringsstidspunktet.
4. **Vær særlig omhyggelig, når De arbejder på hjørner, skarpe kanter osv. Undgå at bumpe eller blokere tilbehøret.** Hjørner, skarpe kanter eller bumpen har tendens til at blokere det roterende tilbehør og forårsage tab af kontrol eller tilbageslag.
5. **Monter ikke en savkæde, træskæreklinge eller en savklinge med tænder.** Sådanne klinger giver hyppige tilbageslag og tab af kontrol.

Særlige sikkerhedsadvarsler for arbejde med slibning og afskæring:

1. **Anvend kun skivetyper, som anbefales til din maskine og den specielle beskyttelsesskærm, som er beregnet til den valgte skive.** Skiver, for hvilke maskinen ikke er beregnet, kan ikke afskærmes tilstrækkeligt og er ikke sikkerhedsmæssigt forsvarlige.
2. **Slibefluden på forsænkede centerskiver skal monteres under beskyttelsesskærmerkantens flade.** En forkert monteret skive, som stikker ud fra beskyttelsesskærmerkantens flade, kan ikke beskyttes tilstrækkeligt.
3. **Beskyttelsesskærmen skal være ordentligt monteret på maskinen og placeret, så den optimale sikkerhed opnås, således at mindst muligt af skiven vender mod operatøren.** Beskyttelsesskærmen bidrager til at beskytte operatøren mod afbrækkede skivefragmenter og utilsigtet kontakt med skiven og gnister, der kan antænde tøjet.
4. **Skiver må kun anvendes til de anbefalede opgaver.** For eksempel: slib ikke med siden af en afskæringsskive. Slibende afskæringsskiver er beregnet til periferisk slibning. Hvis disse skiver udsættes for sidetryk, kan resultatet blive, at de brækker.
5. **Anvend altid ubeskadigede skiveflanger, som har den rigtige størrelse og form til den valgte skive.** Rigtige skiveflanger støtter skiven, hvorved risikoen for skivebrud nedsættes. Flanger til afskæringsskiver kan være anderledes end slibeskiveflanger.

6. **Anvend ikke nedslidte skiver fra større maskiner.** Skiver, som er beregnet til større maskiner, er ikke egnede til en mindre maskines højere hastighed og kan brække.

Supplerende sikkerhedsadvarsler for arbejde med slibende afskæring:

1. **Vær påpasselig med ikke at "klemme" afskæringsskiven fast eller udsætte den for et ekstremt tryk. Forsøg ikke at lave et snit af ekstremt dybde.** Et for stort pres på skiven vil øge belastningen og risikoen for at skiven vrider eller binder i snittet med risikoen for tilbageslag eller brud på skiven til følge.
2. **Stå ikke på linje med eller bag den roterende skive.** Når skiven under anvendelse drejer bort fra Dem, kan et muligt tilbageslag bevirke, at den roterende skive og maskinen slynges direkte mod Dem.
3. **Hvis skiven binder eller hvis en skæring af en eller anden årsag afbrydes, skal De slukke for maskinen og holde den ubevægelig, indtil skiven er holdt helt op med at dreje. Forsøg aldrig at fjerne afskæringsskiven fra snittet, mens skiven er i bevægelse, da dette kan føre til tilbageslag.** Undersøg problemet og tag de rigtige forholdsregler for at eliminere årsagen til at skiven binder.
4. **Lad være med at starte skæringen i arbejdsmednet. Lad skiven komme op på fuld hastighed og gå derefter forsigtigt ind i snittet igen.** Skiven kan binde, presses op eller give tilbageslag, hvis maskinen startes igen i arbejdsmednet.
5. **Understøt paneler eller alle arbejdsmedner i overstrørelse for at minimere risikoen for fastklemning af skiven og tilbageslag.** Store arbejdsmedner har tendens til at synke sammen under deres egen vægt. Der skal anbringes støtteanordninger under arbejdsmednet i nærheden af snitlinjen og nær kanten på arbejdsstykket på begge sider af skiven.
6. **Vær ekstra forsigtig, når De laver et "lomme-snit" i eksisterende vægge eller andre blinde områder.** Den fremspringende skive kan komme til at skære i gas- og vandrør, elektriske ledninger eller genstande, som kan forårsage tilbageslag.

Særlige sikkerhedsadvarsler for slibning med sandpapir:

1. **Anvend ikke sandpapir af overstørrelse. Følg fabrikantens anbefalinger, når De vælger sandpapir.** Større sandpapir, som går ud over sandpapirskiven, udgør en fare for sønderrivelse og kan medføre blokering og beskadigelse af skiven eller være årsag til tilbageslag.

Særlige sikkerhedsadvarsler for trådbørstning:

1. **Vær opmærksom på, at trådbørstehårene afstødes fra børsten selv under almindelig anvendelse. Udsæt ikke trådbørstehårene for et for stort tryk ved at trykke for kraftigt på børsten.** Trådbørstehårene kan nemt gennemtrænge tynde klæder og/eller huden.
2. **Hvis anvendelse af en beskyttelsesskærm ved trådbørstning anbefales, må man ikke tillade interferens af trådkiven eller børsten med beskyttelsesskærmen.** Trådkiven eller børsten kan udvide sig i diameter på grund af arbejdsbelastningen og centrifugalkraften.

Supplerende sikkerhedsadvarsler:

1. Hvis der anvendes forsænkede centerskiver, skal man sørge for kun at anvende fiberglas-forstærkede skiver.
2. ANVEND ALDRIG skiver af stenkop-typen med denne sliber. Denne sliber er ikke beregnet til disse typer skiver, og anvendelse af et sådant produkt kan resultere i alvorlig tilskadekomst.
3. Vær påpasselig med ikke at komme til at beskadige spindlen, flangen (specielt monteringsfladen) eller låsemøtrikken. Beskadigelse af disse dele kan resultere i, at skiven brækker.
4. Sørg for, at skiven ikke er i berøring med arbejdsområdet, inden De tænder for maskinen med afbryderen.
5. Inden De begynder at anvende maskinen på et rigtigt arbejdsområde, skal De lade den køre i et stykke tid. Vær opmærksom på vibrationer eller slør, som kan være tegn på dårlig montage eller en forkert afbalanceret skive.
6. Anvend den specificerede overflade på skiven til at udføre slibningen.
7. Læg ikke maskinen fra Dem, mens den stadig kører. Anvend kun maskinen som håndværktøj.
8. Berør ikke arbejdsområdet lige efter at arbejdet er udført. Det kan blive meget varmt og være årsag til forbrændinger.
9. Undgå at berøre tilbehør umiddelbart efter arbejdets ophør. Det kan være meget varmt og kan forårsage forbrændinger af huden.
10. Overhold altid fabrikantens instruktioner for korrekt montering og anvendelse af skiver. Behandl og opbevar skiver med forsigtighed.
11. Anvend ikke separate reduktionsbøsninger eller adaptere til at tilpasse slibeskiver med store centerhuller til maskinen.
12. Anvend kun de specificerede flanger til denne maskine.
13. Ved anvendelse af maskiner, der er beregnet til montering af slibeskiver med gevindforsynet hul, skal det altid sikres, at gevindet i skiven er langt nok i forhold til spindellængden.
14. Kontrollér at emnet er korrekt understøttet.
15. Forsigtig! Skiven fortsætter med at rotere, efter at der slukket for maskinen.
16. Hvis arbejdsstedet er ekstremt varmt eller fugtigt, eller slemt tilslavet med ledende støv, bør der anvendes en kortslutningsafbryder (30 mA) for at garantere sikkerheden under arbejdet.
17. Anvend aldrig maskinen på materialer, der indeholder asbest.
18. Anvend altid den støvopsamlende beskyttelseskærm, som er påkrævet ifølge de lokale regler, når afskærmingskiven anvendes.
19. Skæreskiver må ikke udsættes for tryk fra siden.
20. Anvend ikke stofarbejdshandsker under brugen. Fibre fra stofhandsker kan muligvis trænge ind i maskinen, hvilket forvolder skade på maskinen.

GEM DISSE FORSKRIFTER.

⚠ ADVARSEL: LAD IKKE bekvemmelighed eller kendskab til produktet (opnået gennem gentagen brug) forhindre, at sikkerhedsforskrifterne for produktet nøje overholdes. MISBRUG eller forsømmelse af at følge de i denne brugsvejledning givne sikkerhedsforskrifter kan medføre alvorlig personskade.

Vigtige sikkerhedsinstruktioner for akkuen

1. Læs alle instruktioner og advarselmærkater på (1) akku-opladeren, (2) akkuen og (3) produktet, som anvender akku.
2. Adskil eller ændr ikke akkuen. Det kan muligvis resultere i en brand, overdreven varme eller eksplosion.
3. Hold straks op med anvendelsen, hvis brugstiden er blevet stærkt afkortet. Fortsat anvendelse kan resultere i risiko for overophedning, forbrændinger og endog eksplosion.
4. Hvis De har fået elektrolytvæske i øjnene, skal De straks skylle den ud med rent vand og derefter øjeblikkeligt søge lægehjælp. I modsat fald kan De miste synet.
5. Vær påpasselig med ikke at komme til at kortslutte akkuen:
 - (1) Rør ikke ved terminalerne med noget ledende materiale.
 - (2) Undgå at opbevare akkuen i en beholder sammen med andre genstande af metal, for eksempel søm, mønter og lignende.
 - (3) Udsæt ikke akkuen for vand eller regn. Kortslutning af akkuen kan forårsage en kraftig øgning af strømmen, overophedning, mulige forbrændinger og endog værktøjstopt.
6. Opbevar og brug ikke maskinen og akkuen på steder, hvor temperaturen muligvis kan nå eller overstige 50 °C.
7. Lad være med at brænde akkuen, selv ikke i tilfælde, hvor den har lidt alvorlig skade eller er fuldstændig udtjent. Akkuen kan eksplodere, hvis man forsøger at brænde den.
8. Slå ikke søm i, skær ikke i, knus, kast, tab ikke akkuen og stød ikke akkuen mod en hård genstand. Sådant adfærd kan muligvis resultere i en brand, overdreven varme eller eksplosion.
9. Anvend ikke en beskadiget akku.
10. De indbyggede litium-ion-batterier er underlagt lovkrav vedrørende farligt gods. Ved kommerciel transport, f.eks. af tredjeparts transportelskaber, skal særlige krav til forpakning og mærkning overholdes. Ved forberedelse af udstyret til forsendelse skal du kontakte en ekspert i farligt gods. Overhold også eventuel mere detaljeret national lovgivning. Tape eller tildæk åbne kontakter, og pak batteriet på en måde, så det ikke kan flytte sig rundt i pakningen.
11. Når akkuen bortskaffes, skal du fjerne den fra maskinen og bortskaffe den på et sikkert sted. Følg de lokale love vedrørende bortskaffelsen af batterier.

12. Brug kun batterierne med de produkter, som Makita specificerer. Hvis batterierne installeres i ikke-kompatible produkter, kan det medføre brand, kraftig varme, eksplosion eller udsivning af elektrolyt.
13. Hvis maskinen ikke skal bruges i længere tid ad gangen, skal du fjerne batteriet fra maskinen.
14. Akkuen kan muligvis under og efter brug være varm, hvilket kan forårsage forbrændinger eller lavtemperaturforbrændinger. Vær påpasselig med håndtering af varme akkuer.
15. Rør ikke terminalen på maskinen straks efter brug, da den bliver varm nok til at forårsage forbrændinger.
16. Sørg for at spåner, støv eller jord ikke sætter sig fast inde i terminalerne, hullerne og rillerne på akkuen. Det kan muligvis medføre dårlig ydelse eller nedbrud af maskinen eller akkuen.
17. Medmindre maskinen understøtter brugen i nærheden af elektriske højspændingsledninger, skal du ikke anvende akkuen i nærheden af elektriske højspændingsledninger. Det kan muligvis medføre funktionsfejl på eller nedbrud af maskinen eller akkuen.
7. Brug ikke den trådløse enhed i nærheden af automatiske enheder. Hvis den bruges, kan automatiske enheder udvikle fejlfunktion eller fejl.
8. Undlad at betjene den trådløse enhed på steder med høje temperaturer eller steder, hvor der kan genereres statisk elektricitet eller elektrisk støj.
9. Den trådløse enhed kan frembringe elektromagnetiske felter (EMF), men de er ikke skadelige for brugeren.
10. Den trådløse enhed er et præcisionsinstrument. Undgå at tabe eller slå på den trådløse enhed.
11. Undgå at berøre terminalen på den trådløse enhed med de bare hænder eller metalliske materialer.
12. Tag altid batteriet ud af produktet, når den trådløse enhed monteres på det.
13. Når låget på åbningen åbnes, skal du undgå steder, hvor der kan komme støv eller vand ind i åbningen. Hold altid indgangen til åbningen ren.
14. Indsæt altid den trådløse enhed i den rigtige retning.
15. Undgå at trykke for hårdt på den trådløse aktiveringsknap på den trådløse enhed og/eller at trykke på knappen med en genstand med en skarp kant.

GEM DENNE BRUGSANVISNING.

⚠️FORSIGTIG: Brug kun originale batterier fra Makita. Brug af uoriginale Makita-batterier, eller batterier som er blevet ændret, kan muligvis medføre brud på batteriet, hvilket kan forårsage brand, personskade eller beskadigelse. Det ugyldiggør også Makita-garantien for Makita-maskinen og opladeren.

Tips til opnåelse af maksimal akku-levetid

1. Oplad akkuen, inden den er helt afladet. Stop altid værktøjet, og oplad akkuen, hvis De bemærker, at værktøjeffekten er aftagende.
2. Genoplad aldrig en fuldt opladet akku. Overopladning vil afkorte akkuens levetid.
3. Oplad akkuen ved stuetemperatur ved 10 °C - 40 °C. Lad altid en varm akku få tid til at køle af, inden den oplades.
4. Når du ikke anvender akkuen, skal du fjerne den fra maskinen eller opladeren.
5. Oplad akkuen, hvis De ikke skal bruge den i længere tid (mere end seks måneder).
16. Luk altid låget på åbningen under brug.
17. Undlad at fjerne den trådløse enhed fra åbningen, når der er sluttet strøm til maskinen. Hvis du gør dette, kan det medføre funktionsfejl i den trådløse enhed.
18. Undlad at fjerne etiketten på den trådløse enhed.
19. Undlad at sætte nogen etiket på den trådløse enhed.
20. Lad ikke den trådløse enhed ligge på steder, hvor der kan genereres statisk elektricitet eller elektrisk støj.
21. Lad ikke den trådløse enhed ligge på steder, der er udsat for høj varme, for eksempel en bil, der står i solen.
22. Lad ikke den trådløse enhed ligge på et sted med støv eller pulver eller på et sted, hvor der kan udvikles ætsende gas.
23. En pludselig temperaturændring kan forårsage dug på den trådløse enhed. Brug ikke den trådløse enhed, før duggen er tørret helt bort.
24. Ved rengøring af den trådløse enhed skal den aftørres forsigtigt med en tør, blød klud. Brug ikke rensbenzin, fortynder, ledende fedtstof eller lignende.
25. Ved opbevaring af den trådløse enhed skal den opbevares i den medfølgende æske eller i en beholder, der er fri for statisk elektricitet.
26. Indsæt ikke andre enheder end den trådløse enhed fra Makita i åbningen på maskinen.
27. Undlad at bruge maskinen, hvis låget til åbningen er beskadiget. Vand, støv og snavs, der kommer ind i åbningen, kan forårsage fejlfunktion.
28. Undlad at trække og/eller vride låget til åbningen mere end nødvendigt. Sæt låget på igen, hvis det falder af maskinen.
29. Udskift låget til åbningen, hvis det bliver væk eller ødelægges.

Vigtige sikkerhedsinstruktioner for trådløs enhed

1. Undlad at adskille eller ændre den trådløse enhed.
2. Opbevar den trådløse enhed utilgængeligt for små børn. Søg øjeblikkeligt læge, hvis den sluges ved et uheld.
3. Brug kun den trådløse enhed sammen med maskiner fra Makita.
4. Udsæt ikke den trådløse enhed for regn eller våde omgivelser.
5. Brug ikke den trådløse enhed på steder, hvor temperaturen overskrider 50 °C.
6. Brug ikke den trådløse enhed i nærheden af medicinske instrumenter som f.eks. pacemakere.

GEM DISSE FORSKRIFTER.

FUNKTIONSBESKRIVELSE

⚠️ FORSIGTIG: Sørg altid for at maskinen er slukket, og at akkuen er taget ud, før der udføres justering eller kontrol af funktioner på maskinen.

Isætning eller fjernelse af akkuen

⚠️ FORSIGTIG: Sluk altid for værktøjet, før De monterer eller fjerner akkuen.

⚠️ FORSIGTIG: Hold værktøjet og akkuen fast ved montering eller fjernelse af akkuen. Hvis De ikke holder værktøjet og akkuen fast, kan de glide ud af hænderne på Dem og forårsage beskadigelse af værktøjet og akkuen eller personskade.

► **Fig.1:** 1. Rød indikator 2. Knap 3. Akku

Akkuen fjernes ved, at De trækker den ud af værktøjet, idet De skyder knappen på forsiden af akkuen i stilling.

Akkuen monteres ved, at De sætter tungen på akkuen ud for noten i kabinettet og lader den glide på plads. Sæt den hele vejen ind, så den låses på plads med et lille klik. Hvis den røde indikator på oversiden af knappen er synlig, betyder det, at den ikke er tilstrækkeligt låst.

⚠️ FORSIGTIG: Monter altid akkuen helt, indtil den røde indikator ikke længere er synlig. Hvis dette ikke gøres, kan den falde ud af værktøjet ved et uheld, hvorved De selv eller personer i nærheden kan komme til skade.

⚠️ FORSIGTIG: Brug ikke magt ved montering af akkuen. Hvis akkuen ikke glider på plads uden problemer, betyder det, at den ikke sættes i på korrekt vis.

Indikation af den resterende batteriladning

Tryk på kontrolknappen på akkuen for at få vist den resterende batteriladning. Indikatorlamper lyser i nogle sekunder.

► **Fig.2:** 1. Indikatorlamper 2. Kontrolknap

Indikatorlamper			Resterende ladning
Tændt	Slukket	Blinker	
■	□	◻	75% til 100%
■ ■ ■ ■	■ ■ ■ ■	■ ■ ■ ■	
■ ■ ■ ■	■ ■ ■ ■	■ ■ ■ ■	50% til 75%
■ ■ ■ ■	■ ■ ■ ■	■ ■ ■ ■	25% til 50%
■ ■ ■ ■	■ ■ ■ ■	■ ■ ■ ■	0% til 25%
◻	◻	◻	Genoplad batteriet.
■ ■ ■ ■	■ ■ ■ ■	■ ■ ■ ■	Der er muligvis fejl i batteriet.
◻	◻	■ ■ ■ ■	

BEMÆRK: Afhængigt af brugsforholdene og den omgivende temperatur kan indikationen afvige en smule fra den faktiske ladning.

Beskyttelsessystem til værktøj/batteri

Maskinen er udstyret med et beskyttelsessystem til maskinen/batteriet. Dette system afbryder automatisk strømmen til motoren for at forlænge maskinens og batteriets levetid. Maskinen stopper automatisk under brugen, hvis maskinen eller batteriet udsættes for et af følgende forhold:

Overbelastningsbeskyttelse

Hvis maskinen/batteriet bruges på en måde, der får den til at trække en unormalt høj strøm, stopper maskinen automatisk uden indikation. Sluk i så fald for maskinen, og stop den anvendelse, der medførte overbelastningen af maskinen. Tænd derefter for maskinen for at starte igen.

Beskyttelse mod overophedning

Hvis maskinen/batteriet er overophedet, stopper maskinen automatisk. Lad maskinen køle af, inden du tænder for maskinen igen.

Beskyttelse mod overafledning

Når batteriladningen er utilstrækkelig, stopper maskinen automatisk. Tag i så fald akkuen ud af maskinen, og oplad akkuen.

Frigørelse af beskyttelseslåsen

Når beskyttelsessystemet aktiveres gentagne gange, låses maskinen.

I så fald starter maskinen ikke, selv om der tændes og slukkes for maskinen. For at frigøre beskyttelseslåsen skal du fjerne akkuen, sætte den i batteriopladeren og vente, indtil opladningen er fuldført.

Aksellås

Tryk på aksellåsen for at forhindre, at spindlen roterer, når tilbehør monteres eller afmonteres.

► **Fig.3:** 1. Aksellås

BEMÆRKNING: Udløs aldrig aksellåsen, mens spindlen bevæger sig. Maskinen kan lide skade.

Afbryderfunktion

⚠️ FORSIGTIG: Før akkuen sættes i maskinen, skal man altid sikre sig, at afbryderhåndtaget fungerer korrekt, og at det springer tilbage i "OFF"-positionen, når det slippes.

⚠️ FORSIGTIG: Af hensyn til din sikkerhed er maskinen forsynet med et aflåsehåndtag, der forhindrer, at maskinen starter ved et uheld. Brug ALDRIG maskinen, hvis den kører, når du blot trykker på afbryderhåndtaget uden at trække aflåsehåndtaget. Returner maskinen til vores autoriserede servicecenter til korrekt reparation, FØR den benyttes igen.

⚠️ FORSIGTIG: Træk ikke hårdt i afbryderhåndtaget uden at trække i aflåsehåndtaget. Dette kan forårsage beskadigelse af afbryderen.

⚠️ FORSIGTIG: Brug ALDRIG tape til at fastgøre aflåsehåndtaget eller på anden måde omgå dets formål og funktion.

► Fig.4: 1. Aflåsehåndtag 2. Afbryderhåndtag

For at forhindre utilsigtet indtrykning af afbryderhåndtaget er maskinen udstyret med et aflåsehåndtag.

For at starte maskinen skal man trække aflåsehåndtaget mod operatøren og derefter trække i afbryderhåndtaget.

For at stoppe maskinen slippes afbryderhåndtaget.

Drejeknap til hastighedsjustering

Maskinens rotationshastighed kan ændres ved at dreje drejeknappen til hastighedsjustering. Nedenstående tabel viser tallet på drejeknappen og den tilsvarende rotationshastighed.

► **Fig.5:** 1. Drejeknap til hastighedsjustering

Tal	Hastighed
1	3.000 min ⁻¹
2	4.500 min ⁻¹
3	6.000 min ⁻¹
4	7.500 min ⁻¹
5	8.500 min ⁻¹

BEMÆRKNING: Hvis maskinen anvendes kontinuerligt ved lav hastighed i længere tid ad gangen, bliver motoren overbelastet med funktionsforstyrrelser til følge.

BEMÆRKNING: Når hastighedsdrejeknappen flyttes fra "5" til "1", skal du dreje drejeknappen i retningen mod uret. Brug ikke magt til at dreje drejeknappen i retningen med uret.

Funktion til forhindring af utilsigtet genstart

Maskinen starter ikke, når akkuen sættes i, mens der trækkes i afbryderhåndtaget.

For at starte maskinen skal man først slippe afbryderhåndtaget. Træk derefter i aflåsehåndtaget, og træk afbryderhåndtaget.

Funktion til elektronisk drejningsmomentkontrol

Maskinen registrerer elektronisk situationer, hvor skiven eller tilbehøret kan risikere at binde. I så fald slukkes der automatisk for maskinen for at forhindre spindelen i at rotere yderligere (det forhindrer ikke tilbageslag). For at genstarte maskinen skal man først slukke for maskinen, eliminere årsagen til det pludselige fald i rotationshastighed og derefter tænde for maskinen.

Funktion for blød start

Funktionen for blød start reducerer startreaktionen.

Elektrisk bremse

Kun for model GA027G / GA028G / GA029G

Den elektriske bremse aktiveres, når der slukkes for maskinen.

Bremsen fungerer ikke, når strømforsyningen afbrydes, for eksempel hvis akkuen fjernes ved en fejltagelse, mens kontakten stadig er til.

SAMLING

⚠️ FORSIGTIG: Sørg altid for at maskinen er slukket, og at akkuen er taget ud, før der udføres justering eller kontrol af funktioner på maskinen.

Montering af sidehåndtag

⚠️ FORSIGTIG: Sørg altid for, at sidehåndtaget er ordentligt monteret inden brugen.

Skru sidehåndtaget ordentligt på maskinen på det på illustrationen viste sted.

► **Fig.6**

Montering eller afmontering af beskyttelsesskærm

⚠️ ADVARSEL: Ved brug af en forsænket center-skive, bladdisk, flex-skive eller trådskevebørste skal beskyttelsesskærmen monteres på maskinen, så den lukkede side af skærmen altid vender mod operatøren.

⚠️ ADVARSEL: Kontroller at beskyttelsesskærmen er låst ordentligt fast vha. låsearmen med et af hullerne i beskyttelsesskærmen.

⚠️ ADVARSEL: Ved brug af en slibende afskæringsskive / diamantskive skal man sørge for kun at anvende den særlige beskyttelsesskærm, der er beregnet til brug med afskæringsskiver.

(I nogle lande i Europa kan den almindelige beskyttelsesskærm anvendes, når man anvender en diamantskive. Følg bestemmelserne for det pågældende land.)

Til forsænket centerskive, bladdisk, flex-skive, trådskevebørste / slibende afskæringsskive, diamantskive

1. Mens du trykker på låsearmen, skal du montere beskyttelsesskærmen, så fremspringene på beskyttelsesskærmen er ud for indhakkene på kuglelejevoksen.

► **Fig.7:** 1. Låsearm 2. Indhak 3. Fremspring

2. Mens du trykker låsearmen mod A, skal du trykke beskyttelsesskærmen ind ved at holde ned på delene B som vist på figuren.

► **Fig.8:** 1. Beskyttelsesskærm 2. Hul

BEMÆRK: Tryk beskyttelsesskærmen lige ned. Ellers kan du ikke trykke beskyttelsesskærmen helt ind.

3. Mens du beholder låsearmens og beskyttelsesskærmens position, som beskrevet i trin 2, skal du dreje beskyttelsesskærmen mod C og derefter ændre vinklen på beskyttelsesskærmen i overensstemmelse med arbejdet.

► **Fig.9:** 1. Beskyttelsesskærm 2. Hul

BEMÆRK: Tryk beskyttelsesskærmen helt ind. Ellers kan du ikke dreje beskyttelsesskærmen.

Følg fremgangsmåden til montering i modsat rækkefølge for at afmontere beskyttelsesskærmen.

Montering eller afmontering af forsænket centerskive eller bladdisk

Ekstraudstyr

ADVARSEL: Når en forsænket centerskive eller bladdisk anvendes, skal beskyttelsesskærmen sættes på maskinen, så den lukkede side af skærmen altid er rettet mod operatøren.

FORSIGTIG: Sørg for, at monteringsdelen af den indvendige flange passer perfekt ind i den indvendige diameter på den forsænkede centerskive / bladdisken. Monteres den indvendige flange på den forkerte side, kan det medføre farlig vibration.

Montrér den indvendige flange på spindlen. Sørg for, at anbringe den bulende del af den indvendige flange på den lige del nederst på spindlen. Anbring den forsænkede centerskive / bladdisken på den indvendige flange og skru låsemøtrikken på spindlen.

► **Fig.10:** 1. Låsemøtrik 2. Forsænket centerskive 3. Indvendig flange 4. Monteringsdel

Låsemøtrikken strammes ved at man trykker fast på aksellåsen, så spindlen ikke kan dreje, og derefter anvender låsemøtriknøglen til at stramme godt til i retningen med uret.

► **Fig.11:** 1. Låsemøtriknøgle 2. Aksellås

Gå frem i modsat rækkefølge af monteringsproceduren, når skiven skal tages af.

Montering og afmontering af flex-skive

Ekstraudstyr

ADVARSEL: Brug altid den medfølgende beskyttelsesskærm, når flex-skiven er monteret på maskinen. Skiven kan brække under brugen, og beskyttelsesskærmen bidrager til at reducere risikoen for tilskadekomst.

► **Fig.12:** 1. Låsemøtrik 2. Flex-skive 3. Bagskive 4. Indvendig flange

Følg instruktionerne for den forsænkede centerskive, men brug også bagskiven over skiven. Se rækkefølgen for samling på siden med beskrivelse af tilbehør i denne brugsanvisning.

Montering og afmontering af slibedisk

Ekstraudstyr

BEMÆRK: Brug sandslibetilbehør, som er specificeret i denne brugsanvisning. Dette skal anskaffes separat.

For 100 mm model

► **Fig.13:** 1. Sandslibelåsemøtrik 2. Slibedisk 3. Gummipude 4. Indvendig flange

1. Montrér den indvendige flange på spindlen.
2. Montrér gummipuden på spindlen.
3. Montrér disken på gummipuden og skru sandslibelåsemøtrikken på spindlen.
4. Hold spindlen med aksellåsen og spænd sandslibelåsemøtrikken ordentligt til i urets retning med låsemøtriknøglen.

Følg fremgangsmåden til montering i modsat rækkefølge for at afmontere disken.

For 115 mm / 125 mm model

► **Fig.14:** 1. Sandslibelåsemøtrik 2. Slibedisk 3. Gummipude

1. Montrér gummipuden på spindlen.
2. Montrér disken på gummipuden og skru sandslibelåsemøtrikken på spindlen.
3. Hold spindlen med aksellåsen og spænd sandslibelåsemøtrikken ordentligt til i urets retning med låsemøtriknøglen.

Følg fremgangsmåden til montering i modsat rækkefølge for at afmontere disken.

Montering eller fjernelse af Ezynut

Ekstraudstyr

FORSIGTIG: Brug ikke Ezynut med superflange eller vinkelsliber med "F" i enden af modelnummeret. Disse flanger er så tykke, at hele gevindet ikke kan skrues ind i spindlen.

► **Fig.15:** 1. Ezynut 2. Slibeskive 3. Indvendig flange 4. Spindel

Montrér indvendig flange, slibeskive og Ezynut på spindlen, så Makita-logoet på Ezynut vender udad.

► **Fig.16:** 1. Aksellås

Tryk aksellåsen ordentligt ind og stram Ezynut ved at dreje slibeskiven med uret, så langt den kan dreje. Drej den udvendige ring på Ezynut mod uret for at løsne den.

► **Fig.17:** 1. Pil 2. Indhak

► **Fig.18**

BEMÆRK: Ezynut kan løsnes med hånden, så længe pilen peger mod indhakkene. Ellers kræves der en låsemøtriknøgle for at løsne den. Sæt én af nøglens stifter ind i et hul og drej Ezynut mod uret.

Montering af slibende afskæringsskive / diamantskive

Ekstraudstyr

ADVARSEL: Ved brug af en slibende afskæringsskive / diamantskive skal man sørge for kun at anvende den særlige beskyttelsesskærm, der er beregnet til brug med afskæringsskiver.

(I nogle lande i Europa kan den almindelige beskyttelsesskærm anvendes, når man anvender en diamantskive. Følg bestemmelserne for det pågældende land.)

ADVARSEL: Anvend ALDRIG en afskæringsskive til sideslibning.

► **Fig.19:** 1. Låsemøtrik 2. Slibende afskæringsskive / diamantskive 3. Indvendig flange 4. Beskyttelsesskærm til slibende afskæringsskive / diamantskive

Med hensyn til monteringen skal instruktionerne for forsænkede centerskiver følges.

Retningen for montering af låsemøtrikken og den indvendige flange afhænger af skivetyper og -tykkelsen.

Se de følgende figurer.

For 100 mm model

Når den slibende afskæringsskive monteres:

- **Fig.20:** 1. Låsemøtrik 2. Slibende afskæringsskive (Tyndere end 4 mm) 3. Slibende afskæringsskive (4 mm eller tykkere) 4. Indvendig flange

Når diamantskiven monteres:

- **Fig.21:** 1. Låsemøtrik 2. Diamantskive (Tyndere end 4 mm) 3. Diamantskive (4 mm eller tykkere) 4. Indvendig flange

For 115 mm / 125 mm model

Når den slibende afskæringsskive monteres:

- **Fig.22:** 1. Låsemøtrik 2. Slibende afskæringsskive (Tyndere end 4 mm) 3. Slibende afskæringsskive (4 mm eller tykkere) 4. Indvendig flange

Når diamantskiven monteres:

- **Fig.23:** 1. Låsemøtrik 2. Diamantskive (Tyndere end 4 mm) 3. Diamantskive (4 mm eller tykkere) 4. Indvendig flange

Montering af trådkopbørste

Ekstraudstyr

⚠️FORSIGTIG: Anvend ikke en børste, som er beskadiget, eller som ikke er i balance.

Anvendelse af en beskadiget børste kan øge risikoen for tilskadekomst forårsaget af kontakt med knækkede børstetråde.

- **Fig.24:** 1. Trådkopbørste

Tag akkuen ud af maskinen, og anbring den på hovedet, så der er nem adgang til spindlen.

Fjern alt ekstraudstyr på spindlen. Monter trådkopbørsten på spindlen og stram til med den medfølgende nøgle.

Montering af trådskeibørste

Ekstraudstyr

⚠️FORSIGTIG: Anvend ikke en trådskeibørste, som er beskadiget, eller som ikke er i balance.

Anvendelse af en beskadiget trådskeibørste kan øge risikoen for tilskadekomst forårsaget af kontakt med ødelagte tråde.

⚠️FORSIGTIG: Anvend **ALTID** en beskyttelseskærm med trådskeibørster, og sørg for, at skivens diameter passer inden i beskyttelseskærmen. Skiven kan brække under brugen, og beskyttelseskærmen bidrager til at reducere risikoen for tilskadekomst.

- **Fig.25:** 1. Trådskeibørste

Tag akkuen ud af maskinen, og anbring den på hovedet, så der er nem adgang til spindlen.

Fjern alt ekstraudstyr på spindlen. Sæt trådskeibørsten på spindlen og stram med nøglerne.

Tilslutning af en støvsuger

Ekstraudstyr

⚠️ADVARSEL: Støvsug aldrig metalpartikler, der stammer fra slibning/skæring/sandslibning. Metalpartikler, der stammer fra sådanne operationer, er så varme, at de antænder støvet og filteret inde i støvsugeren.

For at undgå støvede omgivelser på grund af skæring i murværk skal du anvende en beskyttelseskærm til støvopsamling og en støvsuger. Se i brugsanvisningen, der følger med beskyttelseskærmen til støvopsamling, vedrørende samling og brug af den.

- **Fig.26:** 1. Beskyttelseskærm til støvopsamling
2. Støvsugerslange

ANVENDELSE

⚠️ADVARSEL: Det bør aldrig være nødvendigt at anvende magt på maskinen. Maskinens egen vægt sørger for det nødvendige tryk. Tvang og ekstremt tryk kan medføre farlige brud på skiven.

⚠️ADVARSEL: Skift **ALTID** skiven ud, hvis maskinen tabes under slibning.

⚠️ADVARSEL: Stød eller slå **ALDRIG** slibeskiven mod arbejdsemnet.

⚠️ADVARSEL: Undgå at støde og vride skiven, især ved arbejde på hjørner, skarpe kanter osv. Det kan medføre tab af kontrol og tilbageslag.

⚠️ADVARSEL: Anvend **ALDRIG** maskinen med klinger, der er beregnet til skæring i træ, og andre savklinger. Hvis sådanne klinger anvendes på en sliber, bliver resultatet ofte tilbageslag og tab af kontrol, hvilket kan føre til tilskadekomst.

⚠️FORSIGTIG: Tænd aldrig for maskinen, mens den er i kontakt med arbejdsemnet. Operatøren kan i så fald komme til skade.

⚠️FORSIGTIG: Bær altid beskyttelsesbriller eller ansigtsskærm under brugen.

⚠️FORSIGTIG: Efter brugen skal man altid slukke for maskinen og vente, indtil skiven er stoppet helt, inden man lægger maskinen fra sig.

⚠️FORSIGTIG: Hold **ALTID** godt fast i maskinen med den ene hånd på maskinhuset og den anden på sidehåndtaget.

Slibning og sandslibning

- **Fig.27**

Start maskinen og anbring derefter skiven eller disken på arbejdsemnet.

Generelt skal kanten på skiven eller disken holdes i en vinkel på ca. 15° mod arbejdsemnets overflade.

I det tidsrum, hvor en ny skive indkøres, må man ikke arbejde med sliberen i forlæns retning, da dette muligvis vil bevirke, at den skærer ind i arbejdsemnet. Når først et stykke tids anvendelse har rundet kanten af skiven af, kan den anvendes i både forlæns og baglæns retning.

Anvendelse med slibende afskæringsskive / diamantskive

Ekstraudstyr

⚠ ADVARSEL: Vær påpasselig med ikke at "klemme" skiven eller udsætte den for ekstremt tryk. Forsøg ikke at lave et snit af ekstrem dybde. Et for stort pres på skiven vil øge belastningen og risikoen for at skiven vrider eller binder i snittet samt risikoen for tilbageslag, brud på skiven og overophedning af motoren.

⚠ ADVARSEL: Begynd ikke skæringen i arbejdsemnet. Lad skiven komme op på fuld hastighed og gå omhyggeligt ind i snittet, idet maskinen bevæges fremad over arbejdsemnets overflade. Skiven kan binde, presses op eller give tilbageslag, hvis maskinen startes i arbejdsemnet.

⚠ ADVARSEL: Under skæring må man aldrig ændre skivens vinkel. Hvis man øver sidelæns tryk på afskæringsskiven (som ved slibning), vil det bevirke, at skiven revner eller brækker med alvorlig tilskadekomst til følge.

⚠ ADVARSEL: En diamantskive skal anvendes vinkelret på det materiale, der skæres i.

Eksempel på anvendelse: anvendelse med slibende afskæringsskive

► Fig.28

Eksempel på anvendelse: anvendelse med diamantskive

► Fig.29

Anvendelse med trådkopbørste

Ekstraudstyr

⚠ FORSIGTIG: Kontroller børstens funktion ved at køre maskinen uden belastning, og sørg for at der ikke befinder sig nogen personer foran eller i forlængelse af børsten.

BEMÆRKNING: Undgå, at udøve et for stort tryk, som medfører overbøjning af tråde, når trådkopbørsten anvendes. Det kan muligvis medføre for tidligt brud.

Eksempel på anvendelse: anvendelse med trådkopbørste

► Fig.30

Anvendelse med trådskeibørste

Ekstraudstyr

⚠ FORSIGTIG: Kontroller trådskeibørstens funktion ved at køre maskinen uden belastning, og sørg for, at der ikke befinder sig nogen personer foran eller i forlængelse af børsten.

BEMÆRKNING: Undgå, når trådskeibørsten anvendes, at udøve et for stort tryk, som medfører overbøjning af tråde. Det kan muligvis medføre for tidligt brud.

Eksempel på anvendelse: anvendelse med trådskeibørste

► Fig.31

TRÅDLØS AKTIVERINGSFUNKTION

Hvad kan du foretage dig med den trådløse aktiveringsfunktion

Den trådløse aktiveringsfunktion muliggør ren og behagelig anvendelse. Hvis der sluttes en understøttet støvsuger til maskinen, kan du lade støvsugeren køre automatisk, når kontakten på maskinen betjenes.

► Fig.32

Hvis du vil bruge den trådløse aktiveringsfunktion, skal du forberede følgende genstande:

- En trådløs enhed (ekstraudstyr)
- En støvsuger, der understøtter den trådløse aktiveringsfunktion

Følgende er et overblik over indstilling af den trådløse aktiveringsfunktion. Se de enkelte afsnit for detaljerede procedurer.

1. Montering af en trådløs enhed
2. Maskinregistrering til støvsugeren
3. Start af den trådløse aktiveringsfunktion

Montering af en trådløs enhed

Ekstraudstyr

⚠ FORSIGTIG: Placer maskinen på en flad og stabil overflade, når den trådløse enhed monteres.

BEMÆRKNING: Fjern støv og snavs fra maskinen, før den trådløse enhed monteres. Støv eller snavs kan forårsage funktionsfejl, hvis det kommer ind i åbningen til den trådløse enhed.

BEMÆRKNING: For at forhindre fejlfunktion forårsaget af statisk elektricitet skal du berøre et statisk afledende materiale som f.eks. en metaldele på maskinen, før du tager den trådløse enhed op.

BEMÆRKNING: Ved montering af den trådløse enhed skal du altid sikre dig, at den trådløse enhed er indsat i den korrekte retning, og at låget er lukket helt.

1. Åbn låget på maskinen som vist på figuren.

► Fig.33: 1. Låg

2. Indsæt den trådløse enhed i åbningen, og luk derefter låget.

Ved indsættelse af den trådløse enhed skal fremspringene justeres i forhold til de forsinkede dele på åbningen.

► Fig.34: 1. Trådløs enhed 2. Fremspring 3. Låg 4. Forsænket del

Ved fjernelse af den trådløse enhed åbnes låget langsomt. Krogene bag på låget løfter den trådløse enhed, når du trækker låget op.

► Fig.35: 1. Trådløs enhed 2. Krog 3. Låg

Når den trådløse enhed er fjernet, skal den opbevares i den medfølgende æske eller i en beholder, der er fri for statisk elektricitet.

BEMÆRKNING: Brug altid krogene bag på låget ved fjernelse af den trådløse enhed. Hvis krogene ikke griber fat i den trådløse enhed, skal du lukke låget helt og åbne det langsomt igen.

Maskinregistrering til støvsugeren

BEMÆRK: Du skal bruge en Makita-støvsuger, der understøtter den trådløse aktiveringsfunktion, til maskinregistreringen.

BEMÆRK: Afslut monteringen af den trådløse enhed på maskinen, før maskinregistreringen startes.

BEMÆRK: Under maskinregistreringen må du ikke trykke på afbryderknappen eller tænde for hovedafbryderen på støvsugeren.

BEMÆRK: Se også i brugsanvisningen til støvsugeren.

Hvis du vil aktivere støvsugeren, når kontakten på maskinen betjenes, skal du først afslutte maskinregistreringen.

1. Sæt batterierne i støvsugeren og maskinen.
2. Sæt standby-kontakten på støvsugeren til "AUTO".
► **Fig.36:** 1. Standby-kontakt
3. Tryk på den trådløse aktiveringsknop på støvsugeren i 3 sekunder, indtil den trådløse aktiveringslampe blinker grønt. Tryk derefter på den trådløse aktiveringsknop på maskinen på samme måde.
► **Fig.37:** 1. Trådløs aktiveringsknop 2. Trådløs aktiveringslampe

Hvis støvsugeren og maskinen sammenkædes korrekt, lyser de trådløse aktiveringslamper grønt i 2 sekunder og begynder at blinke blå.

BEMÆRK: De trådløse aktiveringslamper holder op med at blinke grønt efter 20 sekunder. Tryk på den trådløse aktiveringsknop på maskinen, når den trådløse aktiveringslampe på støvsugeren blinker. Hvis den trådløse aktiveringslampe ikke blinker grønt, skal du trykke kortvarigt på den trådløse aktiveringsknop og holde den nede igen.

BEMÆRK: Når der udføres to eller flere maskinregistreringer for én støvsuger, skal maskinregistreringerne udføres en for en.

Start af den trådløse aktiveringsfunktion

BEMÆRK: Afslut maskinregistreringen for støvsugeren for den trådløse aktivering.

BEMÆRK: Se også i brugsanvisningen til støvsugeren.

Når en maskine er registreret til støvsugeren, kører støvsugeren automatisk, når kontakten på maskinen betjenes.

1. Monter den trådløse enhed på maskinen.
2. Slut støvsugerens slange til maskinen.
► **Fig.38**
3. Sæt standby-kontakten på støvsugeren til "AUTO".
► **Fig.39:** 1. Standby-kontakt

4. Tryk kortvarigt på den trådløse aktiveringsknop på maskinen. Den trådløse aktiveringslampe blinker blå.

► **Fig.40:** 1. Trådløs aktiveringsknop 2. Trådløs aktiveringslampe

5. Tryk på maskinens afbryderknop. Kontroller, om støvsugeren kører, når der trykkes på afbryderknappen.

Tryk på den trådløse aktiveringsknop på maskinen for at stoppe den trådløse aktivering af støvsugeren.

BEMÆRK: Den trådløse aktiveringslampe på maskinen holder op med at blinke blå, hvis der ikke sker nogen betjening i 2 timer. Indstil i så fald standby-kontakten på støvsugeren til "AUTO", og tryk på den trådløse aktiveringsknop på maskinen igen.

BEMÆRK: Støvsugeren starter/stopper med en forsinkelse. Der er en forsinkelse, når støvsugeren registrerer en betjening af kontakten på maskinen.










BEMÆRK: Den trådløse enheds transmissionsafstand kan variere afhængigt af placeringen og de omgivende forhold.

BEMÆRK: Når to eller flere maskiner er registreret til én støvsuger, begynder støvsugeren muligvis at køre, selvom du ikke trykker på afbryderknappen, fordi en anden bruger anvender den trådløse aktiveringsfunktion.

Beskrivelse af den trådløse aktiveringslampe status

► Fig.41: 1. Trådløs aktiveringslampe

Den trådløse aktiveringslampe viser status for den trådløse aktiveringsfunktion. Se i tabellen nedenfor vedrørende betydningen af lampens status.

Status	Trådløs aktiveringslampe				Beskrivelse
	Farve	 Tændt	 Blinker	Varighed	
Standby	Blå			2 timer	Den trådløse aktivering af støvsugerens er tilgængelig. Lampen slukkes automatisk, hvis der ikke sker nogen betjening i 2 timer.
				Når maskinen kører.	Den trådløse aktivering af støvsugerens er tilgængelig, og maskinen kører.
Maskinregistrering	Grøn			20 sekunder	Klar til maskinregistrering. Venter på registrering fra støvsugerens.
				2 sekunder	Maskinregistreringen er fuldført. Den trådløse aktiveringslampe begynder at blinke blå.
Annullerer maskinregistrering	Rød			20 sekunder	Klar til annullering af maskinregistrering. Venter på annullering fra støvsugerens.
				2 sekunder	Annulleringen af maskinregistreringen er fuldført. Den trådløse aktiveringslampe begynder at blinke blå.
Andre	Rød			3 sekunder	Der er strøm til den trådløse enhed, og den trådløse aktiveringsfunktion starter.
	Slukket	-		-	Den trådløse aktivering af støvsugerens er stoppet.

annullerer maskinregistrering for støvsugerens

Benyt følgende fremgangsmåde ved annullering af maskinregistreringen for støvsugerens.

1. Sæt batterierne i støvsugerens og maskinen.
2. Sæt standby-kontakten på støvsugerens til "AUTO".

► Fig.42: 1. Standby-kontakt

3. Tryk på den trådløse aktiveringsknap på støvsugerens i 6 sekunder. Den trådløse aktiveringslampe blinker grønt og bliver derefter rød. Tryk derefter på den trådløse aktiveringsknap på maskinen på samme måde.

► Fig.43: 1. Trådløs aktiveringsknap 2. Trådløs aktiveringslampe

Hvis annulleringen gennemføres korrekt, lyser de trådløse aktiveringslamper rød i 2 sekunder og begynder at blinke blå.

BEMÆRK: De trådløse aktiveringslamper holder op med at blinke rød efter 20 sekunder. Tryk på den trådløse aktiveringsknap på maskinen, når den trådløse aktiveringslampe på støvsugerens blinker. Hvis den trådløse aktiveringslampe ikke blinker rød, skal du trykke kortvarigt på den trådløse aktiveringsknap og holde den nede igen.

Fejlfinding i forbindelse med den trådløse aktiveringsfunktion

Udfør selv en inspektion, inden De anmoder om reparation. Hvis De opdager et problem, som ikke er forklaret i brugsanvisningen, må De ikke forsøge at adskille maskinen. Rådfør Dem i stedet med et autoriseret Makita Servicecenter, og brug altid originale Makita udskiftningsdele til reparationer.

Unormal tilstand	Sandsynlig årsag (fejll)	Afhjælpning
Den trådløse aktiveringslampe tændes/blinker ikke.	Den trådløse enhed er ikke monteret på maskinen. Den trådløse enhed er ikke monteret korrekt på maskinen.	Monter den trådløse enhed korrekt.
	Terminalen på den trådløse enhed og/eller åbningen er snavset.	Aftør forsigtigt støv og snavs på terminalen på den trådløse enhed, og rengør åbningen.
	Der er ikke trykket på den trådløse aktiveringsknap på maskinen.	Tryk kortvarigt på den trådløse aktiveringsknap på maskinen.
	Standby-kontakten på støvsugeren er ikke indstillet til "AUTO".	Sæt standby-kontakten på støvsugeren til "AUTO".
	Ingen strømforsyning	Tilfør strøm til maskinen og støvsugeren.
Kan ikke afslutte maskinregistrering/annullering af maskinregistrering korrekt.	Den trådløse enhed er ikke monteret på maskinen. Den trådløse enhed er ikke monteret korrekt på maskinen.	Monter den trådløse enhed korrekt.
	Terminalen på den trådløse enhed og/eller åbningen er snavset.	Aftør forsigtigt støv og snavs på terminalen på den trådløse enhed, og rengør åbningen.
	Standby-kontakten på støvsugeren er ikke indstillet til "AUTO".	Sæt standby-kontakten på støvsugeren til "AUTO".
	Ingen strømforsyning	Tilfør strøm til maskinen og støvsugeren.
	Forkert betjening	Tryk kortvarigt på den trådløse aktiveringsknap, og udfør procedurerne for maskinregistrering/annullering igen.
	Maskinen og støvsugeren er ikke i nærheden af hinanden (uden for transmissionsafstand).	Flyt maskinen og støvsugeren tættere på hinanden. Den maksimale transmissionsafstand er cirka 10 m, men kan variere afhængigt af forholdene.
	Før du fuldfører maskinregistrering/annullering, - der trykkes på afbryderknappen på maskinen, eller - der tændes på hovedafbryderen på støvsugeren.	Tryk kortvarigt på den trådløse aktiveringsknap, og udfør procedurerne for maskinregistrering/annullering igen.
	Maskinregistreringsprocedurerne på maskinen eller støvsugeren er ikke fuldført.	Gennemfør maskinregistreringsprocedurerne både på maskinen og støvsugeren på samme tid.
Radiointerferens fra andre apparater, der udsender højintens radiobølger.	Hold maskinen og støvsugeren væk fra apparater som f.eks. Wi-Fi-enheder og mikrobølgeovne.	
Støvsugeren kører ikke, når kontakten på maskinen betjenes.	Den trådløse enhed er ikke monteret på maskinen. Den trådløse enhed er ikke monteret korrekt på maskinen.	Monter den trådløse enhed korrekt.
	Terminalen på den trådløse enhed og/eller åbningen er snavset.	Aftør forsigtigt støv og snavs på terminalen på den trådløse enhed, og rengør åbningen.
	Der er ikke trykket på den trådløse aktiveringsknap på maskinen.	Tryk kortvarigt på den trådløse aktiveringsknap, og kontroller, at den trådløse aktiveringslampe blinker blåt.
	Standby-kontakten på støvsugeren er ikke indstillet til "AUTO".	Sæt standby-kontakten på støvsugeren til "AUTO".
	Der er registreret mere end 10 maskiner til støvsugeren.	Udfør maskinregistreringen igen. Hvis der er registreret mere end 10 maskiner til støvsugeren, bliver den maskine, der blev registreret tidligst, automatisk annulleret.
	Støvsugeren har slettet alle maskinregistreringer.	Udfør maskinregistreringen igen.
	Ingen strømforsyning	Tilfør strøm til maskinen og støvsugeren.
	Maskinen og støvsugeren er ikke i nærheden af hinanden (uden for transmissionsafstand).	Flyt maskinen og støvsugeren tættere på hinanden. Den maksimale transmissionsafstand er cirka 10 m, men kan variere afhængigt af forholdene.
Radiointerferens fra andre apparater, der udsender højintens radiobølger.	Hold maskinen og støvsugeren væk fra apparater som f.eks. Wi-Fi-enheder og mikrobølgeovne.	
Støvsugeren kører, mens der ikke trykkes på maskinens afbryderknap.	Andre brugere anvender den trådløse aktivering af støvsugeren med deres maskiner.	Deaktiver den trådløse aktiveringsknap på de andre maskiner, eller annuller maskinregistreringen af de andre maskiner.

VEDLIGEHOELSE

⚠ FORSIGTIG: Vær altid sikker på, at værktøjet er slukket, og at akkuen er taget ud, inden De begynder at udføre inspektion eller vedligeholdelse.

BEMÆRKNING: Anvend aldrig benzin, rensebenzin, fortynder, alkohol og lignende. Det kan medføre misfarvning, deformation eller revner.

For at opretholde produktets SIKKERHED og PÅLIDELIGHED må reparation, vedligeholdelse eller justering kun udføres af et autoriseret Makita-servicecenter med anvendelse af Makita-reservedele.

Rengøring af ventilationsåbninger

Maskinen og dens ventilationsåbninger skal altid holdes rene. Rengør maskinens ventilationsåbninger med jævne mellemrum eller når ventilationsåbningerne begynder at blive tilstoppede.

► Fig.44: 1. Udstødningsåbning 2. Indsugningsåbning

Fjern støvdækslet fra indsugningsåbningen, og rengør det for uhindret luftcirkulation.

► Fig.45: 1. Støvdæksel

BEMÆRKNING: Rengør støvdækslet, når det er tilstoppet med støv eller fremmedlegemer. Fortsat brug med et tilstoppet støvdæksel kan beskadige maskinen.

EKSTRAUDSTYR

⚠ FORSIGTIG: Det følgende tilbehør og ekstraudstyr er anbefalet til brug med Deres Makita maskine, der er beskrevet i denne brugsanvisning. Anvendelse af andet tilbehør eller ekstraudstyr kan udgøre en risiko for personskade. Anvend kun tilbehør og ekstraudstyr til det beskrevne formål.

Hvis De behøver hjælp ved valg af tilbehør eller ønsker yderligere informationer, bedes De kontakte Deres lokale Makita servicecenter.

- Original Makita-akku og oplader

► Fig.46

-	100 mm model	115 mm model	125 mm model
1	Håndtag 36		
2	Beskyttelseskærm (til slibeskive)		
3	Indvendig flange		
4	Forsænket centerskive / bladdisk		
5	Låsemøtrik		
6	Bagskive		
7	Flex-skive		
8	Indvendig flange og gummipude 76	Gummipude 100	Gummipude 115
9	Slibedisk		
10	Sandslibelåsemøtrik		
11	Trådslibebørste		
12	Trådkopbørste		
13	Beskyttelseskærm (til afskæringsskive) *1		
14	Slibende afskæringsskive / diamantskive		
15	Beskyttelseskærm til støvsamling		
-	Låsemøtriknøgle		

BEMÆRK: *1 I nogle lande i Europa kan den almindelige beskyttelseskærm anvendes i stedet for den specielle beskyttelseskærm, som dækker begge sider af skiven, når man anvender en diamantskive. Følg bestemmelserne i det pågældende land.

BEMÆRK: Nogle ting på denne liste kan være inkluderet i værktøjsspakken som standardtilbehør. Det kan være forskellige fra land til land.

SPECIFIKĀCIJAS

Modelis:	GA027G	GA028G	GA029G	GA030G	GA031G	GA032G
Slīpripas diametrs	100 mm (4")	115 mm (4-1/2")	125 mm (5")	100 mm (4")	115 mm (4-1/2")	125 mm (5")
Maks. slīpripas biezums	6,4 mm	7,2 mm	6,4 mm	7,2 mm		
Vārpstas vītne	M10	M14 vai 5/8" (atkarībā no valsts)	M10	M14 vai 5/8" (atkarībā no valsts)		
Nominālais ātrums (n)	8 500 min ⁻¹					
Kopējais garums	ar BL4025	413 mm				
	ar BL4040	425 mm				
Tīrsvars	2,9–3,4 kg	3,0–3,6 kg	3,0–4,5 kg	2,8–3,4 kg	2,9–3,6 kg	3,0–4,4 kg
Nominālais spriegums	Līdzstrāva 36 V–40 V maks.					

- Nepārtrauktās izpētes un izstrādes programmas dēļ šeit uzrādītās specifikācijas var tikt mainītas bez brīdinājuma.
- Atkarībā no valsts specifikācijas var atšķirties.
- Svārs var būt atšķirīgs atkarībā no papildierīces(-ēm), tostarp akumulatora kasetnes. Tabulā ir attēlota vieglākā un smagākā kombinācija atbilstoši EPTA procedūrai 01/2014.

Piemērotā akumulatora kasetne un lādētājs

Akumulatora kasetne	BL4025/BL4040
Lādētājs	DC40RA

- Daži no iepriekš norādītajiem lādētājiem un akumulatora kasetnēm var nebūt pieejami atkarībā no jūsu mītnes reģiona.

▲BRĪDINĀJUMS: Izmantojiet vienīgi iepriekš norādītās akumulatora kasetnes un lādētājus. Cita tipa akumulatora kasetņu un lādētāju izmantošana var radīt traumu un/vai aizdegšanās risku.

Paredzētā lietošana

Šis darbarīks ir paredzēts metāla un akmeņu materiālu slīpēšanai, apstrādei ar stieplu suku un griešanai bez ūdens izmantošanas.

Trokšņa līmenis

Tipiskais A svērtais trokšņa līmenis noteikts saskaņā ar EN60745-2-3:

Modelis	Skaņas spiediena līmenis (L _{PA}): (dB(A))	Skaņas jaudas līmeni (L _{WA}): (dB(A))	Nenoteiktība (K): (dB(A))
GA027G	81	92	3
GA028G	81	92	3
GA029G	82	93	3
GA030G	81	92	3
GA031G	81	92	3
GA032G	82	93	3

PIEZĪME: Paziņotā trokšņa emisijas vērtība noteikta atbilstoši standarta pārbaudes metodei, un to var izmantot, lai salīdzinātu vienu darbarīku ar citu.

PIEZĪME: Paziņoto trokšņa emisijas vērtību arī var izmantot iedarbības sākotnējā novērtējumā.

▲BRĪDINĀJUMS: Lietojiet ausu aizsargus.

▲BRĪDINĀJUMS: Trokšņa emisija patiesos darba apstākļos var atšķirties no paziņotās vērtības atkarībā no darbarīka izmantošanas veida un jo īpaši atkarībā no apstrādājamā materiāla veida.

▲BRĪDINĀJUMS: Lai aizsargātu lietotāju, nosakiet drošības pasākumus, kas pamatoti ar iedarbību reālos darba apstākļos (ņemot vērā visus ekspluatācijas cikla posmus, piemēram, laiku, kamēr darbarīks ir izslēgts un kad darbojas tukšgaitā, kā arī palaides laiku).

Vibrācijas kopējā vērtība (trīsasu vektora summa) noteikta atbilstoši EN60745-2-3:

Darba režīms: virsmas slīpēšana ar parastu sānu rokturi

Modelis	Vibrācija ($a_{hv, AG}$): (m/s^2)	Nenoteiktība (K): (m/s^2)
GA027G	4,5	1,5
GA028G	5,0	1,5
GA029G	6,0	1,5
GA030G	4,5	1,5
GA031G	5,0	1,5
GA032G	6,0	1,5

Darba režīms: virsmas slīpēšana ar antivibrācijas sānu rokturi

Modelis	Vibrācija ($a_{hv, AG}$): (m/s^2)	Nenoteiktība (K): (m/s^2)
GA027G	4,5	1,5
GA028G	5,0	1,5
GA029G	6,5	1,5
GA030G	4,5	1,5
GA031G	5,0	1,5
GA032G	6,5	1,5

Darba režīms: slīpēšana ar disku ar parastu sānu rokturi

Modelis	Vibrācija ($a_{hv, AG}$): (m/s^2)	Nenoteiktība (K): (m/s^2)
GA027G	2,5 m/s^2 vai mazāk	1,5
GA028G	2,5	1,5
GA029G	3,0	1,5
GA030G	2,5 m/s^2 vai mazāk	1,5
GA031G	2,5	1,5
GA032G	3,0	1,5

Darba režīms: slīpēšana ar disku ar antivibrācijas sānu rokturi

Modelis	Vibrācija ($a_{hv, AG}$): (m/s^2)	Nenoteiktība (K): (m/s^2)
GA027G	2,5 m/s^2 vai mazāk	1,5
GA028G	2,5	1,5
GA029G	3,0	1,5
GA030G	2,5 m/s^2 vai mazāk	1,5
GA031G	2,5	1,5
GA032G	3,0	1,5

PIEZĪME: Paziņotā kopējā vibrācijas vērtība noteikta atbilstoši standarta pārbaudes metodei, un to var izmantot, lai salīdzinātu vienu darbarīku ar citu.

PIEZĪME: Paziņoto kopējo vibrācijas vērtību arī var izmantot iedarbības sākotnējā novērtējumā.

▲BRĪDINĀJUMS: Vibrācijas emisija patiesos darba apstākļos var atšķirties no paziņotās vērtības atkarībā no darbarīka izmantošanas veida un jo īpaši atkarībā no apstrādājamā materiāla veida.

▲BRĪDINĀJUMS: Lai aizsargātu lietotāju, nosakiet drošības pasākumus, kas pamatoti ar iedarbību reālos darba apstākļos (ņemot vērā visus ekspluatācijas cikla posmus, piemēram, laiku, kamēr darbarīks ir izslēgts un kad darbojas tukšgaitā, kā arī palaides laiku).

▲BRĪDINĀJUMS: Paziņoto vibrācijas emisijas vērtību izmanto galvenajām mehanizētā darbarīka darbībām. Taču, ja darbarīku izmanto citām darbībām, vibrācijas emisijas vērtība var būt atšķirīga.

EK atbilstības deklarācija

Tikai Eiropas valstīm

EK atbilstības deklarācija šajā lietošanas rokasgrāmatā ir iekļauta kā A pielikums.

DROŠĪBAS BRĪDINĀJUMI

Vispārīgi elektrisko darbarīku drošības brīdinājumi

BRĪDINĀJUMS: Izlasiet visus drošības brīdinājumus, instrukcijas, apskatiet ilustrācijas un tehniskos datus, kas iekļauti mehanizētā darbarīka komplektācijā. Ja netiek ievēroti visi tālāk minētie noteikumi, var tikt izraisīta elektrotrauma, notikt aizdegšanās un/vai rasties smagas traumas.

Glabājiet visus brīdinājumus un norādījumus, lai varētu tajos ieskatīties turpmāk.

Termins „elektrisks darbarīks” brīdinājumos attiecas uz tādu elektrisko darbarīku, ko darbina ar elektrību (ar vadu), vai tādu, ko darbina ar akumulatoru (bez vada).

Drošības brīdinājumi bezvada slīpmašīnas lietošanai

Drošības brīdinājumi, kas vienādi attiecas uz slīpēšanas, smalkās slīpēšanas, tīrīšanas ar stiepli suku vai abrazīvas griešanas darbībām:

1. Šo mehanizēto darbarīku paredzēts izmantot slīpēšanai, smalkai slīpēšanai, tīrīšanai ar stiepli suku vai griešanai. Izlasiet visus drošības brīdinājumus, instrukcijas, apskatiet ilustrācijas un tehniskos datus mehanizētā darbarīka komplektā. Ja netiek ievēroti visi tālāk minētie noteikumi, var tikt izraisīta elektrotrauma, notikt aizdegšanās un/vai rasties smagas traumas.
2. Ar šo mehanizēto darbarīku nav ieteicams veikt tādas darbības kā pulēšana. Tādu darbību veikšana, kam šis mehanizētais darbarīks nav paredzēts, var būt bīstama un radīt traumas.
3. Lietojiet tikai darbarīka ražotāja īpaši izgatavotos un ieteiktos piederumus. Kaut arī piederumu ir iespējams piestiprināt pie mehanizētā darbarīka, tā lietošana nav droša.
4. Piederuma nominālajam ātrumam jābūt vismaz identiskam ar maksimālo ātrumu, kas atzīmēts uz mehanizētā darbarīka. Piederumi, kas griežas ātrāk par nominālo ātrumu, var salūzt un tikt izsviesti.
5. Piederuma ārējam diametram un biežumam jābūt mehanizētā darbarīka jaudas robežās. Nepareiza izmēra piederumus nav iespējams pietiekami uzmanīt vai vadīt.
6. Piederumu stiprinājuma vītnei jāatbilst slīpmašīnas vārpstas vītnei. Piederumu, kurus piestiprina aiz atlokkiem, ass atverei jāatbilst atloka uzstādīšanas diametram. Piederumi, kas neatbilst mehanizētā darbarīka stiprinājumiem, kļūst nestabili, pārmērīgi vibrēs un var izraisīt vadības zaudēšanu.

7. Neizmantojiet bojātu piederumu. Pirms katras lietošanas pārbaudiet, vai piederumus, piemēram, abrazīvās ripās nav plaisu, plīsumu, atbalsta plāksne nav saplaisājusi, saplēsta vai pārmērīgi nolietota, un stiepli suku nav vajīgu vai salūzušu stieplu. Ja mehanizētais darbarīks nokrīt, pārbaudiet, vai nav radušies bojājumi, vai uzstādiēt nebojātu piederumu. Pēc piederuma pārbaudes un uzstādīšanas atkāpieties pats un lieciet visiem klātesošajiem atkāpties no piederuma rotācijas plaknes, un vienu minūti darbiniet mehanizēto darbarīku bez slodzes ar maksimālo ātrumu. Bojāti piederumi šādas pārbaudes laikā parasti salūst.
8. Izmantojiet individuālos aizsarglīdzekļus. Atkarībā no veicamā darba valkājiet sejas aizsargu, aizsargbrilles vai brilles. Ja nepieciešams, valkājiet putekļu masku, ausu aizsargus, cimdus un darba priekšautu, kas aiztur mazas abrazīvas vai materiāla daļiņas. Acu aizsardzības aprīkojumam jāspēj aizturēt lidojošus gruzdus, kas rodas dažādu darbu veikšanas laikā. Putekļu maskai vai respiratoram jāaiztur darba laikā radušās daļiņas. Ilgstoši pakļaujot sevi ļoti intensīvam troksnim, var rasties dzirdes zudums.
9. Gādājiet, lai apkārtējie atrastos drošā attālumā no darba vietas. Ikvienam, kas atrodas darba vietā, jāizmanto individuālie aizsarglīdzekļi. Apstrādājamā materiāla vai bojāta piederuma daļiņas var tikt izsviestas un traumēt cilvēkus darba vietas tuvumā.
10. Strādājot mehānisko darbarīku turiet aiz izolētajām satveršanas virsmām, ja griešanas darbarīks varētu saskarties ar neredzamu elektrotinstalāciju. Saskare ar vadu zem sprieguma var spriegumu novadīt uz mehanizētā darbarīka metāla daļām, bet operators var saņemt elektriskās strāvas triecienu.
11. Nekādā gadījumā nenolieciet mehanizēto darbarīku, pirms tas nav pilnībā apstājies. Rotējošais piederums var aizķert virsmu un izraut mehanizēto darbarīku jums no rokām.
12. Nedarbiniet mehanizēto darbarīku, to pārnēsājot. Ja apģērbs nejauši pieskaras rotējošajam piederumam, tas var tikt satverts, iespējot piederumu miesā.
13. Regulāri tīriet mehanizētā darbarīka ventilācijas atveres. Motora ventilators ievelk putekļus korpusā un pārmērīga sīku metāla daļiņu uzkrāšanās var izraisīt elektrosistēmas bojājumus.
14. Mehanizēto darbarīku nedrīkst darbināt ugunsnedrošu materiālu tuvumā. Dzirksteles var aizdedzināt šos materiālus.
15. Nelietojiet tādus piederumus, kam vajadzīgi dzesēšanas šķidrums. Lietojot ūdeni vai citus dzesēšanas šķidrumus, var gūt nāvējošu elektrotraumu vai elektriskās strāvas triecienu.

Atsitiens un ar to saistīti brīdinājumi

Atsitiens ir pēkšņa reakcija uz rotējošās ripas iespiešanu vai aizķeršanos, balsta paliktņi, suku vai kādu citu piederumu. Iespūšana vai aizķeršanās izraisa pēkšņu rotējošā piederuma apstāšanos, kas savukārt saskares brīdī izraisa nevadāmu mehanizētā darbarīka grūdienu pretēji tā rotācijas virzienam.

Ja abrazīvā slīpriņa, piemēram, aizķeras vai iesprūst apstrādājamā materiālā, slīpriņas mala, kas nokļūst iesprūšanas vietā, var iespieties materiāla virsmā, liekot slīpriņai izvīrēties vai atlēkt. Slīpriņa saskares brīdī var izlēkt operatora virzienā vai prom no viņa, atkarībā no slīpriņas kustības virziena. Šādos gadījumos abrazīvās slīpriņas var arī salūzt.

Atsitiens rodas darbarīka nepareizas lietošanas un/vai nepareizas darbības vai apstākļu rezultātā, un no tā var izvairīties, veicot piemērotus drošības pasākumus, kā norādīts tālāk.

1. **Saglabājiet ciešu darbarīka tvērienu un novietojiet ķermeni un rokas tā, lai pretotos atsitienu spēkam. Lai maksimāli kontrolētu atsienienu (iedarbināšanas laikā) vai griezes momentu, vienmēr lietojiet palīgrokuri, ja tāds ir.** Operators var savaldīt griezes momenta reakciju vai atsitienu spēku, ja veic atbilstošus piesardzības pasākumus.
2. **Nekad nenovietojiet roku rotējošā piederuma tuvumā.** Piederums var radīt atsienienu, trāpot rokai.
3. **Neviena jūsu ķermeņa daļa nedrīkst atrasties ceļā, kur atsitienu gadījumā pārvietosies mehānizētais darbarīks.** Atsitiens ieķeršanās gadījumā grūdis darbarīku no ieķeršanās vietas slīpriņas kustībai pretējā virzienā.
4. **Īpaši uzmanieties, apstrādājot stūrus, asas malas u.c. Nepieļaujiet piederuma atlēkšanu un aizķeršanos.** Stūri, asas malas vai atlēkšana parasti izraisa rotējošā piederuma aizķeršanos un var radīt kontroles zaudēšanu vai atsienienu.
5. **Nepievienojiet ķēdes zāģa kokgriezumu asmeni vai zobaino zāģa asmeni.** Šādi asmeņi izraisa biežus atsitienu un vadības zaudēšanu.

Drošības brīdinājumi tieši slīpēšanas un abrazīvās griešanas darbībām:

1. **Izmantojiet tikai savam mehānizētajam darbarīkam ieteicamos ripu veidus un īpašos aizsargus, kas paredzēti izvēlētajai ripai.** Ripas, kam mehānizētais darbarīks nav paredzēts, nevar pienācīgi aizsargāt, tāpēc tās nav drošas.
2. **Rīpas ar ieliektu centru slīpēšanas virsmai jāatrodas zemāk par aizsargatloka malu.** Nepareizi piestiprināta rīpa, kas izvīrās no aizsargatloka malas plaknes, nav pietiekami aizsargājama.
3. **Aizsargam jābūt stingri piestiprinātam pie mehānizētā darbarīka un novietotam maksimāli drošībai, lai operatora virzienā ir atsegta mazākā ripas daļa.** Aizsargs palīdz aizsargāt operatoru no salūzušas ripas daļām un nejausās saskares ar slīpriņu un dzirkstelēm, kas var aizdedzināt apģērbu.
4. **Slīpriņas jāizmanto tikai tām ieteicamajiem darbiem. Piemēram: neslīpējiet ar griešanas ripas malu.** Abrazīvās griešanas ripas paredzētas perifērai slīpēšanai, tāpēc, ja uz šīm ripām iedarbojas sānu spēks, tās var salūzt.
5. **Vienmēr izmantojiet nebojātus, izvēlētajai ripai atbilstoša izmēra un formas ripas atlokus.** Atbilstoši slīpriņas atloki balsta slīpriņu, tādējādi samazinot tās salūšanas iespēju. Nogriešanas ripu atloki var atšķīrties no slīpēšanai paredzēto ripu atlokiem.

6. **Neļaujiet griezējīgai iesprūst, neizmantojiet darbarīku ripas.** Lielākiem mehānizētajiem darbarīkiem paredzētās ripas nav piemērotas mazāka darbarīka lielākajam ātrumam, tās var sabrukt.

Papildu drošības brīdinājumi tieši abrazīvās griešanas darbībām:

1. **Neļaujiet griezējīgai iesprūst, neizmantojiet pārmērīgu spiedienu. Negrieziet pārāk dziļi.** Ripas pārslogošana palielina slodzi, ripas sašķībešanās vai ieķeršanās griezumā, atsitienu vai slīpriņas salūšanas iespējamību.
2. **Nenostāties vienā līnijā ar rotējošo ripu un aiz tās.** Kad darba laikā ripas pārvietojas virzienā prom no jūsu ķermeņa, iespējama atsitiens var grūst rotējošo ripu un mehānizēto darbarīku tieši jūsu virzienā.
3. **Kad darba vietā ripas pārvietojas virzienā prom no operatora ķermeņa, iespējams atsitiens rotējošo ripu un mehānizēto darbarīku var grūst tieši operatora virzienā. Nekādā gadījumā nemēģiniet izņemt griezējīgu no griezuma, kad rīpa vēl griežas, lai netiktu izraisīts atsitiens.** Pārbaudiet un veiciet attiecīgus pasākumus, lai novērstu ripas ieķeršanās cēloņus.
4. **Neatsāciet griešanu, darbarīkam atrodoties apstrādājamā materiālā. Ļaujiet ripai sasniegt pilnu ātrumu un tad uzmanīgi atkal ievietojiet to griezumā.** Slīpriņa var iekerties, izvīrēties augšup vai atlēkt, ja mehānizētais darbarīks tiek atkal iedarbināts, atrodoties apstrādājamajā virsmā.
5. **Atbalstiet paneļus un visus lielos apstrādājamos materiālus, lai samazinātu slīpriņas iesprūšanas un atsitienu bīstamību.** Lieli apstrādājamie materiāli bieži vien ieliecās sava svāra dēļ. Balsti jānovieto abās slīpriņas pusēs zem apstrādājamās virsmas, griezuma līnijas tuvumā un tuvu apstrādājamās virsmas malai.
6. **Esiet īpaši uzmanīgs, veicot „nišas griezumus” jau esošajās sienās vai citās aizsegtās vietās.** Caururbušā slīpriņa var pārgriezt gāzes vai ūdens caurules, elektrības vadus vai priekšmetus, kas var izraisīt atsienienu.

Drošības brīdinājumi tieši smalkajai slīpēšanai:

1. **Neizmantojiet pārāk lielu slīpēšanas ripas papīru. Izvēloties smilšpapīru smalkajai apstrādei, ievērojiet ražotāja ieteikumus.** Par slīpēšanas pamatni lielāks smilšpapīrs rada plūsuma briesmas, jo rīpa var iekerties, plīst vai izraisīt atsienienu.

Drošības brīdinājumi apstrādei ar stieplju suku:

1. **Ņemiet vērā, ka stieplju sari tiek izviesti no sukas pat parastās darbības laikā. Nepārslogojiet stieples, pieliekot sukai pārmērīgu spēku.** Stieplju sari var ātri caursist vieglus audumus un/vai ādu.
2. **Ja apstrādei ar stieplju suku ieteikts izmantot aizsargu, nepieļaujiet stieplju ripas vai sukās saskari ar aizsargu.** Darba slodzes un centrālās dzes spēku iedarbībā stieplju ripai vai sukai var palielināties diametrs.

Papildu drošības brīdinājumi:

1. **Lietojot slīpriņas ar ieliektu jeb iedzilinātu centru, noteikti izmantojiet tikai slīpriņas ar stikla šķiedras armatūru.**

- Šai slīpmašīnai NEKĀSTĀSTĀDIET kausveida akmens ripu. Šī slīpmašīna nav paredzēta šāda veida ripām, un to izmantošana var radīt smagas traumas.
- Uzmanieties, lai nesabojātu vārpstu, atloku (it īpaši uzstādīšanas virsmu) un kontruzgriezni. Šo detaļu bojājums var izraisīt ripas salūšanu.
- Pārliecinieties, ka slīpriņa nepieskaras apstrādājamajai virsmai pirms slēdža ieslēgšanas.
- Pirms lietot darbarīku materiāla apstrādei, iesaicīgi darbiniet to bez slodzes. Pievērsiet uzmanību tam, vai nav novērojama vibrācija vai svārstības, kas var norādīt uz nekvalitatīvu uzstādīšanu vai nepareizi līdzsvarotu slīpriņu.
- Lai slīpētu, izmantojiet tam paredzēto slīpriņas virsmu.
- Neatstājiet darbarīku ieslēgtu. Darbiniet darbarīku vienīgi tad, ja turat to rokās.
- Neskarieties pie apstrādājamas detaļas tūlīt pēc darba izpildes; tā var būt ārkārtīgi karsta un apdedzināt ādu.
- Nepieskarieties piederumiem tūlīt pēc darba izpildes; tie var būt ārkārtīgi karsti un apdedzināt ādu.
- Ievērojiet ražotāja norādījumus slīpriņu pareizai montāžai un lietošanai. Rīkojieties ar slīpriņām uzmanīgi un uzglabājiet tās rūpīgi.
- Neizmantojiet atsevišķus samazinošus ieliktnus vai pārejas, lai pielāgotu abrazīvās slīpriņas ar liela diametra atverī.
- Izmantojiet tikai šim darbarīkam paredzētus atlokus.
- Darbarīkiem, kuri paredzēti lietošanai ar vītņotu slīpriņu, pārliecinieties, ka slīpriņas vītņnes garums atbilst vārpstas garumam.
- Pārbaudiet, vai apstrādājamā detaļa ir pienācīgi atbalstīta.
- Ņemiet vērā, ka slīpriņa turpina griezties arī pēc darbarīka izslēgšanas.
- Ja darba vietā ir ārkārtīgi augsta temperatūra un liels mitrums, vai tā ir stipri piesārņota ar vadītspējīgiem putekļiem, izmantojiet īssavienojuma pārtraucēju (30 mA), lai garantētu operatora drošību.
- Neizmantojiet darbarīku tādu materiālu apstrādei, kas satur azbestu.
- Lietojot griezējriņas, vienmēr izmantojiet ripas aizsargu ar putekļu savācēju, ko prasa vietēja likumdošana.
- Griešanas ripas nedrīkst pakļaut jebkādam sānu spiedienam.
- Strādājot nelietojiet auduma darba cimdus. Šķiedras no auduma cimdiem var iekļūt darbarīkā, izraisot darbarīka bojājumus.

SAGLABĀJIET ŠOS NORĀDĪJUMUS.

▲BRĪDINĀJUMS: NEPIELĀUJIET to, ka labu iemaņu vai izstrādājuma labas pārziņāšanas (darbarīku atkārtoti ekspluatējot) rezultātā vairs stingri neievērojat šī izstrādājuma drošības noteikumus. NEPAREIZI LIETOJOT darbarīku vai neievērojot šajā instrukciju rokasgrāmatā minētos drošības noteikumus, var tikt gūtas smagas traumas.

Svārgi drošības norādījumi par akumulatora kasetni

- Pirms akumulatora lietošanas izlasiet visus norādījumus un brīdinājumus, kuri attiecas uz (1) akumulatora lādētāju, (2) akumulatoru un (3) ierīci, kurā tiek izmantots akumulators.
- Akumulatora kasetni nedrīkst ne pārveidot, ne izjaukt. Citādi var tikt izraisīta aizdegšanās, pārmērīgs karstums vai sprādziens.
- Ja akumulatora darbības laiks kļuva ievērojami īsāks, nekavējoties pārtrauciet to izmantot. Citādi, tas var izraisīt pārkarsējumu, uzliesmojumu vai pat sprādzienu.
- Ja elektroīts nonāk acīs, izskalojiet tās ar tīru ūdens un nekavējoties griezieties pie ārsta. Tas var izraisīt redzes zaudēšanu.
- Neradiet īssavienojumu akumulatora kasetnē:
 - (1) Nepieskarieties spailēm ar elektrību vadošiem materiāliem.
 - (2) Neuzglabājiet akumulatoru kasetni kopā ar citiem metāla priekšmetiem, tādiem kā naglas, monētas u. c.
 - (3) Nepakļaujiet akumulatora kasetni ūdens vai lietus iedarbībai.
 Akumulatora īssavienojums var radīt spēcīgu strāvas plūsmu, pārkarsānu, uzliesmojumu un pat sabojāt akumulatoru.
- Neglabājiet un neizmantojiet darbarīku un akumulatora kasetni vietās, kur temperatūra var sasniegt vai pārsniegt 50 °C (122 °F).
- Nededziniet akumulatora kasetni, pat ja tā ir stipri bojāta vai pilnībā nolietota. Akumulatora kasetne uguni var eksplodēt.
- Akumulatora kasetni nedrīkst naglot, griezt, saspīest, mest vai nomest, kā arī pa to nedrīkst sist ar cietu priekšmetu. Šādas darbības var izraisīt aizdegšanos, pārmērīgu karstumu vai sprādzienu.
- Neizmantojiet bojātu akumulatoru.
- Uz izmantotajiem litija jonu akumulatoriem attiecas likumdošanas prasības par bīstamiem izstrādājumiem.

Komerציאלā transportēšanā, ko veic, piemēram, trešās puses, transporta uzņēmumi, jāievēro uz iesaiņojuma un marķējuma norādītās īpašās prasības.

Lai izstrādājumu sagatavotu nosūtīšanai, jāsažinās ar bīstamo materiālu speciālistu. Ievērojiet arī citus attiecināmos valsts normatīvus.

Vaļējus kontaktus nosedziet ar līmlenti vai citādi pārklājiet, bet akumulatoru iesaiņojiet tā, lai sānīt tas nevarētu izkustēties.
- Lai utilizētu akumulatora kasetni, izņemiet to no darbarīka un likvidējiet drošā vietā. Ievērojiet vietējos noteikumus par akumulatora likvidēšanu.
- Izmantojiet šos akumulatorus tikai ar izstrādājumiem, kurus norādījis Makita. Ievietojiet šos akumulatorus nesaderīgos izstrādājumos, var rasties ugunsgrēks, pārmērīgs karstums, tie var uzsprāgt vai no tiem var iztect elektroīts.
- Ja darbarīks netiks lietots ilgu laiku, no tā jāizņem akumulators.

14. Lietošanas laika vai pēc tās akumulatora kasetne var uzkrāt siltumu, kas var izraisīt apdegumus vai zemas temperatūras apdegumus. Ar karstu akumulatora kasetni apejieties rūpīgi.
15. Nepieskarieties darbarīka izvadam uzreiz pēc lietošanas, jo tas var būt sakarsis un izraisīt apdegumus.
16. Neļaujiet akumulatora kasetnes izvadā, atverēs un rievās uzkrāties skaidām, putekļiem vai augsnei. Tādējādi darbarīks vai akumulatora kasetne var sākt darboties nekalitatīvi vai tikt sabojāti.
17. Neizmantojiet akumulatora kasetni augstsprieguma līniju tuvumā, izņemot gadījumus, kad darbarīks ir piemērots lietošanai augstsprieguma līniju tuvumā. Citādi darbarīks vai akumulatora kasetne var sākt darboties nepareizi vai tikt sabojāti.

SAGLABĀJIET ŠOS NORĀDĪJUMUS.

⚠UZMANĪBU: Lietojiet tikai oriģinālos Makita akumulatorus. Ja lietojat neoriģinālus Makita akumulatorus vai pārveidotus akumulatorus, tie var uzsprāgt un izraisīt aizdegšanos, traumas un materiālos zaudējumus. Tiks anulēta arī Makita darbarīka un lādētāja garantija.

Ieteikumi akumulatora kalpošanas laika pagarināšanai

1. Uzlādējiet akumulatora kasetni, pirms tā ir pilnībā izlādējusies. Vienmēr, kad ievērojāt, ka darbarīka darba jauda zudusi, apturiet darbarīku un uzlādējiet akumulatora kasetni.
2. Nekad neuzlādējiet pilnībā uzlādētu akumulatora kasetni. Pārmērīga uzlāde saīsina akumulatora kalpošanas laiku.
3. Uzlādējiet akumulatora kasetni istabas temperatūrā 10 °C - 40 °C. Karstai akumulatora kasetnei pirms uzlādes ļaujiet atdzist.
4. Kad akumulatora kasetne netiek izmantota, izņemiet to no darbarīka vai lādētāja.
5. Uzlādējiet litija jonu akumulatora kasetni, ja to ilgstoši nelietosit (vairāk nekā sešus mēnešus).

Svarīgi drošības norādījumi par bezvadu ierīci

1. Bezvadu ierīci nedrīkst ne pārveidot, ne izjaukt.
2. Bezvadu ierīci glabājiet maziem bērniem nepieejamā vietā. Ja kāds cilvēks nejauši norij kādu no detaļām, nekavējoties jādodas pie ārsta.
3. Bezvadu ierīci lietojiet tikai kopā ar Makita darbarīkiem.
4. Raugiet, lai bezvadu ierīce neatrastos lietū vai mitros apstākļos.
5. Bezvadu ierīci nelietojiet vietās, kur temperatūra pārsniedz 50 °C.
6. Bezvadu ierīci nelietojiet vietās, kur tuvumā atrodas medicīnas ierīces, piemēram, sirds darbības stimulatori.

7. Bezvadu ierīci nelietojiet vietās, kur tuvumā atrodas automātiskas ierīces. Ja lietojat, tad automātisko ierīču darbībā var rasties traucējumi vai kļūdas.
8. Neizmantojiet bezvadu ierīci vietās, kur ir augsta temperatūra vai var veidoties statiskā elektrība vai elektriskais troksnis.
9. Bezvadu ierīce var radīt elektromagnētiskos laukus (EML), bet tie nav lietotājam kaitīgi.
10. Bezvadu ierīci ir precīzs instruments. Uzmanieties, lai bezvadu ierīce nenokristu un nekur neietriektos.
11. Bezvadu ierīces izvadam nepieskarieties ar kailām rokām vai metāliskiem materiāliem.
12. Kad uzstādāt bezvadu ierīci, vienmēr izņemiet darbarīka akumulatoru.
13. Verot vai ātreres pārsegu, izvairieties no vietās, kur atverē var iekļūt putekļi un ūdens. Atveres ieeju vienmēr turiet tīru.
14. Bezvadu ierīci vienmēr ievietojiet pareizajā virzienā.
15. Bezvadu ierīces bezvadu sistēmas aktivizēšanas pogu nespiediet pārāk stipri un/vai nespiediet pogu ar priekšmetu, kam ir asas malas.
16. Lietojot ierīci, vienmēr aizveriet atveres pārsegu.
17. Kamēr darbarīks ir pieslēgts pie strāvas, neatvienojiet bezvadu ierīci no atveres. Ja atvienojat, var rasties traucējumi bezvadu ierīces darbībā.
18. No bezvadu ierīces nenoplēsiet uzlīmi.
19. Uz bezvadu ierīces nelīmējiet nekādas uzlīmes.
20. Neatstājiet bezvadu ierīci vietā, kur var veidoties statiskā elektrība vai elektriskais troksnis.
21. Bezvadu ierīci neatstājiet vietās, kur varētu būt liels karstums, piemēram, automobilī, kas atstāts saulē.
22. Bezvadu ierīci neatstājiet putekļainā vai ar pulveri nokaisītā vietā vai vietā, kur var rasties kodīga gāze.
23. Pēkšņas temperatūras izmaiņas var radīt mitrumu uz ierīces. Bezvadu ierīci lietojiet tikai tad, kad mitrums pilnībā izžuvis.
24. Kad tīrāt bezvadu ierīci, uzmanīgi slaukiet to ar sausu, mīkstu drānu. Nelietojiet benzīnu, atšķaidītāju, vadītspējīgas smērvielas vai līdzīgas vielas.
25. Kad bezvadu ierīci noliekat glabāšanai, ielieciet to komplekta ietvarā vai nestatiskā konteinerā.
26. Darbarīka atverē ievietojiet tikai Makita bezvadu ierīci.
27. Neizmantojiet darbarīku, ja tā atveres pārsegs ir bojāts. Ūdens, putekļu un netīrumu iekļūšana atverē var radīt darbības traucējumus.
28. Bez nepieciešamības nevelciet un/vai negroziet atveres pārsegu. Ja pārsegs atdalās no darbarīka, piestipriniet to.
29. Ja atveres pārsegs ir pazaudēts vai bojāts, nomainiet to.

SAGLABĀJIET ŠOS NORĀDĪJUMUS.

FUNKCIJU APRAKSTS

⚠UZMANĪBU: Pirms darbarīka regulēšanas vai tā darbības pārbaudes vienmēr pārliecinieties, ka darbarīks ir izslēgts un akumulatora kasetne ir izņemta.

Akumulatora kasetnes uzstādīšana un izņemšana

⚠UZMANĪBU: Vienmēr pirms akumulatora kasetnes uzstādīšanas vai noņemšanas izslēdziet darbarīku.

⚠UZMANĪBU: Uzstādot vai izņemot akumulatora kasetni, darbarīku un akumulatora kasetni turiet cieši. Ja darbarīku un akumulatora kasetni netur cieši, tie var izkrist no rokām un radīt bojājumus darbarīkam un akumulatora kasetnei, kā arī izraisīt ievainojumus.

- **Att.1:** 1. Sarkanās krāsas indikators 2. Poga 3. Akumulatora kasetne

Lai izņemtu akumulatora kasetni, izvelciet to no darbarīka, pārbīdot kasetnes priekšpusē esošo pogu.

Lai uzstādītu akumulatora kasetni, salāgojiet mēlīti uz akumulatora kasetnes ar rievu ietvarā un iebīdīd to vietā. Ievietojiet to līdz galam, līdz tā ar klikšķi nokļūst vietā. Ja pogas augšējā daļā redzams sarkanās krāsas indikators, tas nozīmē, ka tā nav pilnīgi fiksēta.









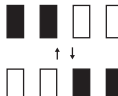
⚠UZMANĪBU: Vienmēr ievietojiet akumulatora kasetni tā, lai sarkanais indikators nebūtu redzams. Pretējā gadījumā tā var nejauši izkrist no darbarīka un izraisīt jums vai apkārtējiem traumas.

⚠UZMANĪBU: Neievietojiet akumulatora kasetni ar spēku. Ja kasetne neslīd ietvarā viegli, tā nav pareizi ielikta.

Atlikušās akumulatora jaudas indikators

Nospiediet akumulatora kasetnes pārbaudes pogu, lai pārbaudītu akumulatora atlikušo uzlādes līmeni. Indikatori iedegsies uz dažām sekundēm.

- **Att.2:** 1. Indikatora lampas 2. Pārbaudes poga

Indikatora lampas			Atlikusī jauda
 Iedegies	 Izslēgts	 Mirgo	
			No 75% līdz 100%
			No 50% līdz 75%
			No 25% līdz 50%
			No 0% līdz 25%
			Uzlādējiet akumulatoru.
			Iespējama akumulatora kļūme.

PIEZĪME: Reālā jauda var nedaudz atšķirties no norādītās atkarībā no lietošanas apstākļiem un apkārtējās temperatūras.

Darbarīka/akumulatora aizsardzības sistēma

Darbarīkam ir darbarīka/akumulatora aizsardzības sistēma. Šī sistēma automātiski izslēdz strāvas padevi motoram, lai pagarinātu darbarīka un akumulatora darbību. Lietošanas laikā darbarīks automātiski pārstās darboties, ja darbarīku vai akumulatoru pakļaus kādam no šādiem apstākļiem.

Aizsardzība pret pārslodzi

Ja darbarīku/akumulatoru lieto tā, ka tas patērē pārmērīgi lielu strāvas daudzumu, darbarīks automātiski bez iepriekšēja brīdinājuma pārstāj darboties. Šādā gadījumā izslēdziet darbarīku un pārtrauciet darbību, kas izraisīja darbarīka pārslodzi. Pēc tam ieslēdziet darbarīku, lai atsāktu darbu.

Aizsardzība pret pārkaršanu

Kad darbarīks/akumulators ir pārkaris, darbarīks automātiski pārstāj darboties. Pirms atkārtotas ieslēgšanas ļaujiet darbarīkam atdzist.

Aizsardzība pret akumulatora pārmērīgu izlādi

Ja akumulatora jaudas līmenis ir zems, darbarīks automātiski pārstāj darboties. Šajā gadījumā akumulatoru izņemiet no darbarīka un uzlādējiet.

Aizsardzības bloķētāja izslēgšana

Ja aizsardzības sistēma ieslēgsies atkārtoti, darbarīks tiek bloķēts.

Šādā gadījumā darbarīks nesāk darboties pat pēc izslēgšanas un ieslēgšanas. Lai izslēgtu aizsardzības bloķētāju, akumulatoru izņemiet, ievietojiet akumulatora lādētājā un nogaidiet, līdz beidzas uzlāde.

Vārpstas bloķētājs

Nospiediet vārpstas bloķētāju, lai novērstu vārpstas griešanas piederumu uzstādīšanas vai noņemšanas laikā.

- **Att.3:** 1. Vārpstas bloķētājs

IEVĒRĪBAI: Nekad neieslēdziet vārpstas bloķētāju, kad griežas vārpsta. Tas var sabojāt darbarīku.

Slēdža darbība

⚠UZMANĪBU: Vienmēr pirms akumulatora kasetnes uzstādīšanas darbarīkā pārbaudiet, vai slēdža svira darbojas pareizi un pēc atlaišanas atgriežas stāvoklī "OFF" (izslēgts).

⚠UZMANĪBU: Jūsu drošības labad darbarīks ir aprīkots ar atbloķēšanas sviru, kas novērš darbarīka nejaušas iedarbināšanas risku. NEIZMANTOJIET darbarīku, ja tas darbojas, kad nospiežat slēdža sviru, nenospiežot atbloķēšanas sviru. PIRMS turpmākas lietošanas nododiet darbarīku mūsu pilnvarotajā apkopes centrā, lai veiktu pienācīgu remontu.

⚠UZMANĪBU: Slēdža sviru nespiediet ar spēku, nenospiežot atbloķēšanas sviru. Spiežot ar spēku, var sabojāt slēdzi.

⚠UZMANĪBU: NEKAD nenovērtējiet par zemu un neignorējiet atbloķēšanas sviras mērķi un funkcijas.

► Att.4: 1. Atbloķēšanas svira 2. Slēdža svira

Lai slēdža sviru nospiežtu nejauši, darbarīks ir aprīkots ar atbloķēšanas sviru.

Lai darbarīku iedarbinātu, atbloķēšanas sviru pavelciet virzienā pret sevi un tad nospiežat slēdža sviru. Lai darbarīku apturētu, atlaidiet slēdža sviru.

Ātruma regulēšanas gredzens

Darbarīka griešanās ātrumu var mainīt, griežot ātruma regulēšanas gredzenu. Tabulā tālāk norādīts katram gredzena ciparam atbilstošais griešanās ātrums.

► Att.5: 1. Ātruma regulēšanas gredzens

Cipars	Ātrums
1	3 000 min ⁻¹
2	4 500 min ⁻¹
3	6 000 min ⁻¹
4	7 500 min ⁻¹
5	8 500 min ⁻¹

IEVĒRĪBAI: Ja darbarīku ilgstoši darbināsīt ar mazu ātrumu, motors tiks pārslodgots, tādējādi radot darbarīka darbības traucējumus.

IEVĒRĪBAI: Mainot ātrumu no 5 uz 1, griežiet gredzenu pretēji pulksteņrādītāju kustības virzienam. Negriežiet gredzenu pulksteņrādītāju kustības virzienā ar spēku.

Nejaušas atkārtotas ieslēgšanas nepieļaušanas funkcija

Ja akumulatora kasetnes uzstādīšanas brīdī ir nospiesta slēdža svira, darbarīks nesāks darboties. Lai darbarīku ieslēgtu, vispirms atlaidiet slēdža sviru. Vispirms nospiežat atbloķēšanas sviru un tikai pēc tam — slēdža sviru.

Elektroniskā griezes momenta vadības funkcija

Darbarīks elektroniski nosaka stāvokli, kad ripa vai piederums var iesprūst. Šādā gadījumā darbarīks automātiski izslēdzas, lai vārpsta vairs negrieztos (taču tas nenovērš atsliešanu).

Lai atkārtoti ieslēgtu darbarīku, vispirms to izslēdziet, novērsiet darbarīka ātruma pēkšņās samazināšanās iemeslu un tad atkal ieslēdziet darbarīku.

Pakāpeniskas jeb laidenās ieslēgšanas funkcija

Pakāpeniskas ieslēgšanas funkcija mazina iedarbināšanas reakciju.

Elektrobremze

Tikai modelim GA027G/GA028G/GA029G

Elektrobremze tiek ieslēgta pēc darbarīka ieslēgšanas. Bremze nedarbojas, ja barošana ir izslēgta, piemēram, tiek izņemts akumulators, kad slēdzis vēl ir ieslēgšanas stāvoklī.

MONTĀŽA

⚠UZMANĪBU: Pirms darbarīka regulēšanas vai tā darbības pārbaudes vienmēr pārlicinieties, ka darbarīks ir izslēgts un akumulatora kasetne ir izņemta.

Sānu roktura uzstādīšana (rokturis)

⚠UZMANĪBU: Pirms darbarīka izmantošanas vienmēr pārlicinieties, ka sānu rokturis ir uzstādīts droši.

Stingri pieskrūvējiet sānu rokturi pie darbarīka, kā parādīts attēlā.

► Att.6

Slīpriņas aizsarga uzstādīšana un noņemšana

⚠BRĪDINĀJUMS: Izmantojot slīpriņas ar ieliektu centru, plāksņu diska, lokanās ripas vai stieplu sukas ripas, slīpriņas aizsargs jāuzstāda uz darbarīka tā, lai aizsarga slēgtā daļa vienmēr būtu vērsta pret operatoru.

⚠BRĪDINĀJUMS: Pārbaudiet, vai slīpriņas aizsargs ir droši nostiprināts ar aizturu sviru, izmantojot vienu no slīpriņas aizsarga atverēm.

⚠BRĪDINĀJUMS: Izmantojot abrazīvo griezējripu vai dimanta ripu, lietojiet tikai īpašu griezējripiem paredzētu ripas aizsargu.

(Dažās Eiropas valstīs, izmantojot dimanta ripu, var lietot parasto aizsargu. Ievērojiet savas valsts noteikumus.)

Slīpriņai ar ieliektu centru, plākšņu ripai, lokanajai ripai, stieplu sukas ripai/abrazīvai griešanas ripai, dimanta ripai

1. Nospiediet bloķēšanas sviru un uzlieciet slīpriņas aizsargu tā, lai uz slīpriņas aizsarga malas esošie izciļņi sakristu ar gultņa korpusa ierobiem.

► **Att.7:** 1. Bloķēšanas svira 2. Ierobis 3. Izvirzījums

2. Spiediet bloķēšanas sviru A bultņās virzienā un vienlaikus uzspiediet slīpriņas aizsargu, satverot to aiz daļām, kas attēlā apzīmētas ar burtu B.

► **Att.8:** 1. Slīpriņas aizsargs 2. Atvere

PIEZĪME: Spiediet slīpriņas aizsargu tieši uz leju. Citādi nav iespējams pilnīgi uzstādīt slīpriņas aizsargu.

3. Saglabājot 2. punktā aprakstīto bloķēšanas sviras un slīpriņas aizsarga pozīciju, griežiet slīpriņas aizsargu C punkta virzienā un tad pielāgojiet slīpriņas aizsarga leņķi atbilstoši veicamajam darbam.

► **Att.9:** 1. Slīpriņas aizsargs 2. Atvere

PIEZĪME: Pilnībā uzspiediet slīpriņas aizsargu. Citādi slīpriņas aizsargu nav iespējams pagriezt.

Lai noņemtu slīpriņas aizsargu, izpildiet iepriekš minētās darbības pretējā secībā.

Slīpriņas ar ieliektu centru vai plākšņu diska uzstādīšana un noņemšana

Papildu piederumi

▲BRĪDINĀJUMS: Izmantojot slīpriņas ar ieliektu centru vai plākšņu diskus, slīpriņas aizsargs jāuzstāda uz darbarīka tā, lai aizsarga slēgtā daļa vienmēr būtu vērsta operatora virzienā.

▲UZMANĪBU: Pārliecinieties, ka iekšējā atloka stiprinājuma daļa precīzi iekļaujas slīpriņas ar ieliektu centru vai plākšņu diska iekšējā diametrā. Ja iekšējo atloku uzstādīsiet nepareizajā pusē, var rasties bīstama vibrācija.

Iekšējo atloku uzstādi uz vārpstas.

Iekšējā atloka ieliektu daļu uzstādi uz taisnās daļas vārpstas apakšdaļā.

Slīpriņu ar ieliektu centru vai plākšņu disku uzlieciet uz iekšējā atloka un pieskrūvējiet kontruzgriezni uz vārpstas.

► **Att.10:** 1. Kontruzgrieznis 2. Slīpriņa ar ieliektu centru 3. Iekšējais atloks 4. Stiprinājuma daļa

Lai pievilktu kontruzgriezni, stingri nospiediet vārpstas bloķētāju, lai vārpsta negrieztos, tad ar kontruzgriežņa atslēgu stingri pievelciet to pulksteņrādītāju kustības virzienā.

► **Att.11:** 1. Kontruzgriežņa atslēga 2. Vārpstas bloķētājs

Lai slīpriņu noņemtu, iepriekš norādītās darbības izpildiet pretējā secībā.

Lokanās ripas uzstādīšana un noņemšana

Papildu piederumi

▲BRĪDINĀJUMS: Ja darbarīkam izmantojat lokano ripu, vienmēr lietojiet komplektā iekļauto aizsargu. Lietošanas laikā ripa var sadrupēt, bet aizsargs palīdz mazināt traumu bīstamību.

► **Att.12:** 1. Kontruzgrieznis 2. Lokanā ripa 3. Balsta starplika 4. Iekšējais atloks

Ievērojiet norādījumus attiecībā uz slīpriņu ar ieliektu centru; tomēr uz ripas uzlieciet arī balsta starpliku. Montāžas secību skatiet šīs rokasgrāmatas piederumu lappusē.

Abrazīvās ripas uzstādīšana un noņemšana

Papildu piederumi

PIEZĪME: Izmantojiet šajā rokasgrāmatā norādītos slīpmašīnas piederumus. Tie jāiegādājas atsevišķi.

100 mm modelim

► **Att.13:** 1. Smilšpapīra jeb smalkās slīpēšanas kontruzgrieznis 2. Abrazīvā ripa 3. Gumijas starplika 4. Iekšējais atloks

1. Iekšējo atloku uzstādi uz vārpstas.
2. Uz vārpstas uzstādi gumijas paliktni.
3. Uzstādi ripu uz gumijas starplikas un uzskrūvējiet smilšpapīra slīpēšanas kontruzgriezni uz vārpstas.
4. Turiet vārpstu ar vārpstas bloķētāju un ar kontruzgriežņa atslēgu cieši pievelciet smilšpapīra slīpēšanas kontruzgriezni pulksteņrādītāju kustības virzienā.

Lai noņemtu ripu, izpildiet iepriekš norādītās darbības pretējā secībā.

115 mm/125 mm modelim

► **Att.14:** 1. Smilšpapīra jeb smalkās slīpēšanas kontruzgrieznis 2. Abrazīvā ripa 3. Gumijas starplika

1. Uz vārpstas uzstādi gumijas paliktni.
2. Uzstādi ripu uz gumijas starplikas un uzskrūvējiet smilšpapīra slīpēšanas kontruzgriezni uz vārpstas.
3. Turiet vārpstu ar vārpstas bloķētāju un ar kontruzgriežņa atslēgu cieši pievelciet smilšpapīra slīpēšanas kontruzgriezni pulksteņrādītāju kustības virzienā.

Lai noņemtu ripu, izpildiet iepriekš norādītās darbības pretējā secībā.

Ezynut uzstādīšana vai noņemšana

Papildu piederumi

▲UZMANĪBU: Neizmantojiet Ezynut ar virsatloku vai leņķa slīpmašīnu, kurai modeļa numura beigās ir burts „F”. Šādi atloki ir ļoti biezi, un vārpsta nevar noturēt visu vītni.

► **Att.15:** 1. Ezynut 2. Abrazīvā ripa 3. Iekšējais atloks 4. Vārpsta

Uzstādi iekšējo atloku, abrazīvu ripu un Ezynut uz vārpstas tādā veidā, lai Makita logotips uz Ezynut atrodas ārpusē.

► Att.16: 1. Vārpstas bloķētājs

Cieši piespiediet vārpstas bloķētāju un pieskrūvējiet Eznut, griežot abrazīvo ripu pulksteņrādītāja virzienā, cik tālu iespējams pagriezt. Grieziet ārējo gredzenu Eznut pretēji pulksteņrādītāja virzienam, lai to atskrūvētu.

► Att.17: 1. Bultiņa 2. Ierobs

► Att.18

PIEZĪME: Eznut var atskrūvēt ar roku, ja bultiņa atrodas pret ierobu. Pretējā gadījumā atskrūvēšanai nepieciešama kontruzgriežņa uzgriežņatslēga. Ievietojiet vienu uzgriežņatslēgas tapu atverē un pagrieziet Eznut pretēji pulksteņrādītāja virzienam.

Abrazīvās griezējriņas/dimanta riņas uzstādīšana

Papildu piederumi

▲BRĪDINĀJUMS: Izmantojot abrazīvo griezējriņu vai dimanta ripu, lietojiet tikai īpašu griezējriņām paredzētu riņas aizsargu.

(Dažās Eiropas valstīs, izmantojot dimanta ripu, var lietot parasto aizsargu. Ievērojiet savas valsts noteikumus.)

▲BRĪDINĀJUMS: NEKAD NELIETOJIET griezējriņu sānu slīpēšanai.

- Att.19: 1. Kontruzgrieznis 2. Abrazīvā griezējriņa/dimanta riņa 3. Iekšējais atloks 4. Riņas aizsargs abrazīvai griezējriņai/dimanta riņai

Veicot uzstādīšanu, izpildiet norādījumus, kas paredzēti slīpriņai ar ieliektu centru.

Kontruzgriežņa un iekšējā atloka uzstādīšanas virziena maiņa atkarīga no riņas veida un biezuma. Skatiet attiecīgos parametrus.

100 mm modelim

Uzstādot abrazīvo griezējriņu:

- Att.20: 1. Kontruzgrieznis 2. Abrazīvā griezējriņa (plānāka par 4 mm) 3. Abrazīvā griezējriņa (4 mm vai biezāka) 4. Iekšējais atloks

Uzstādot dimanta ripu:

- Att.21: 1. Kontruzgrieznis 2. Dimanta riņa (plānāka par 4 mm) 3. Dimanta riņa (4 mm vai biezāka) 4. Iekšējais atloks

115 mm/125 mm modelim

Uzstādot abrazīvo griezējriņu:

- Att.22: 1. Kontruzgrieznis 2. Abrazīvā griezējriņa (plānāka par 4 mm) 3. Abrazīvā griezējriņa (4 mm vai biezāka) 4. Iekšējais atloks

Uzstādot dimanta ripu:

- Att.23: 1. Kontruzgrieznis 2. Dimanta riņa (plānāka par 4 mm) 3. Dimanta riņa (4 mm vai biezāka) 4. Iekšējais atloks

Kausveida stieplu suku uzstādīšana

Papildu piederumi

▲UZMANĪBU: Neizmantojiet bojātu un nelīdzsvarotu suku. Bojātas suku izmantošana var palielināt salauztu suku stieplu radītu traumu bīstamību.

► Att.24: 1. Kausveida stieplu suku

Akumulatora kasetni izņemiet no darbarīka un darbarīku atlieciet otrādi, lai viegli piekļūtu vārpstai. No vārpstas noņemiet piederumus. Kausveida stieplu suku uzskrūvējiet uz vārpstas un pievelciet ar komplekta uzgriežņatslēgu.

Stieplu suku riņas uzstādīšana

Papildu piederumi

▲UZMANĪBU: Neizmantojiet bojātu un nelīdzsvarotu stieplu suku. Bojātas stieplu suku izmantošana var palielināt salauztu stieplu radītu traumu bīstamību.

▲UZMANĪBU: Lietojot stieplu suku, VIENMĒR izmantojiet aizsargu, sekojot, lai viss riņas diametrs iekļaujas aizsargā. Lietošanas laikā riņa var sadurt, bet aizsargs palīdz mazināt traumu bīstamību.

- Att.25: 1. Stieplu suku

Akumulatora kasetni izņemiet no darbarīka un darbarīku atlieciet otrādi, lai viegli piekļūtu vārpstai. No vārpstas noņemiet piederumus. Stieplu suku uzskrūvējiet uz vārpstas un pievelciet ar uzgriežņa atslēgām.

Putekļsūcēja pievienošana

Papildu piederumi

▲BRĪDINĀJUMS: Nekādā gadījumā ar putekļu sūcēju neiesūciet metāla daļiņas, kas rodas slīpēšanas/griešanas/slīpēšanas laikā. Šādu darbību laikā radušās metāla daļiņas ir tik karstas, ka tās var aizdedzināt putekļus un filtru putekļu sūcēja iekšpusē.

Lai novērstu darba vietā putekļus, kas radušies mūra griešanas rezultātā, izmantojiet slīpriņas aizsargu ar putekļu savācēju un putekļu sūcēju. Informāciju par to, kā uzlikt un izmantot slīpriņas aizsargu ar putekļu savācēju, skatiet lietošanas instrukcijā, kas pievienota šai ierīcei.

- Att.26: 1. Slīpriņas aizsargs ar putekļu savācēju 2. Putekļu sūcēja šļūtene

EKSPLUATĀCIJA

▲BRĪDINĀJUMS: Strādājot ar darbarīku, nekad nepielieciet pārmērīgu spēku. Darbarīka svars rada pietiekamu spiedienu. Pārmērīgs spēks vai spiediens uz darbarīka var izraisīt riņas salūšanu, kas ir ļoti bīstami.

▲BRĪDINĀJUMS: VIENMĒR nomainiet ripu, ja slīpēšanas laikā darbarīks nokrīt.

▲BRĪDINĀJUMS: NEKAD nesietiet slīpriņu pret apstrādājamo materiālu.

▲BRĪDINĀJUMS: Izvairieties no riņas lēkāšanas un iekēršanās, it īpaši stūru, asu malu utt. apstrādē. Tas var izraisīt vadības zaudēšanu un atsitēnu.

▲BRĪDINĀJUMS: NEKĀDĀDĀDĀJUMĀ neizmantojiet darbarīku ar koku zāģēšanas asmeņiem un citiem zāģu asmeņiem. Šādus asmeņus izmantojot slīpmašīnā, var rasties atsitēns, kura ietekmē var zaudēt vadību pār darbarīku un gūt traumas.

▲UZMANĪBU: Nekādā gadījumā neieslēdziet darbarīku, ja tas ir saskarē ar apstrādājamo materiālu, jo operators var gūt traumas.

▲UZMANĪBU: Darba laikā vienmēr lietojiet aizsargbrilles vai sejas aizsargu.

▲UZMANĪBU: Pēc darba vienmēr izslēdziet darbarīku un uzgaidiet, līdz ripa pilnīgi apstājas, pirms noliekat darbarīku.

▲UZMANĪBU: VIENMĒR stingri turiet darbarīku ar vienu roku uz korpusa un ar otru uz sānu roktura.

Slīpēšana un līdzināšana ar smilšpapīru

► Att.27

Ieslēdziet darbarīku un tad nolaidiet slīpripu vai disku uz materiālu.

Slīpripas vai diska malu turiet apmēram 15 grādu leņķī pret apstrādājamo virsmu.

Jaunās slīpripas iestrādāšanas laikā nelietojiet darbarīku turpgaitas virzienā, citādi tas var iegriezties apstrādājamā materiālā. Kad slīpripas mala lietošanas gaitā ir noapaļojusies, slīpripu var izmantot darbam gan turpgaitas, gan atpakaļgaitas virzienā.

Abrazīvās griezējripas un dimanta ripas lietošana

Papildu piederumi

▲BRĪDINĀJUMS: Neļaujiet slīpripai iesprūst; neizmantojiet pārmērīgu spiedienu. Negrieziet pārāk dziļi. Ripas pārslodze palielina slodzi un iespēju ripai sašķiebties vai aizķerties griezumā, kā arī atsitiena, ripas salūšanas un motora pārkaršanās nes iespējamību.

▲BRĪDINĀJUMS: Nesāciet griešanu, darbarīkam atrodoties apstrādājamajā virsmā. Ļaujiet ripai sasniegt pilnu ātrumu un uzmanīgi ievietojiet to griezumā, virzot darbarīku uz priekšu pāri apstrādājamā materiāla virsmai. Ripa var aizķerties, iznākt no griezuma vai radīt atsitieni, ja mehānizētais darbarīks tiek iedarbināts, ripai atrodoties apstrādājamā materiālā.

▲BRĪDINĀJUMS: Griešanas laikā nekad nemainiet slīpripas leņķi. Pieliekot griezējripai sāniski vērstu spēku (piemēram, slīpējot), ripa var splaisāt un salūzt, radot smagas traumas.

▲BRĪDINĀJUMS: Dimanta ripa jālieto perpendikulāri griežamajam materiālam.

Darbības piemērs: darbs ar abrazīvo griešanas ripu
► Att.28

Darbības piemērs: darbs ar dimanta ripu
► Att.29

Lietošana kopā ar kausveida stieplu suku

Papildu piederumi

▲UZMANĪBU: Pārbaudiet suku darbību, darbinot darbarīku bez slodzes, un nodrošinot, lai neviens neatrastos suku priekšā vai tās rotācijas plaknē.

IEVĒRĪBAI: Izvairieties no pārmērīga spēka piemērošanas, kas var salocīt stieples, lietojot kausveida stieplu suku. Tas var izraisīt priekšlaicīgu salūšanu.

Darbības piemērs: darbs ar kausveida stieplu suku
► Att.30

Lietošana kopā ar stieplu ripas suku

Papildu piederumi

▲UZMANĪBU: Pārbaudiet stieplu ripas suku darbību, darbinot darbarīku bez slodzes un nodrošinot, lai neviens neatrastos stieplu ripas suku priekšā vai tās rotācijas plaknē.

IEVĒRĪBAI: Izvairieties no pārmērīga spiediena, kas var salocīt stieples, lietojot stieplu ripas suku. Tas var izraisīt priekšlaicīgu salūšanu.

Darbības piemērs: darbs ar stieplu suku ripu
► Att.31

BEZVADU SISTĒMAS AKTIVIZĒŠANAS FUNKCIJA

Iespējas, ko sniedz bezvadu sistēmas aktivizēšanas funkcija

Bezvadu sistēmas aktivizēšanas funkcija nodrošina tīru un ērtu darbību. Pieslēdzot atbilstošu putekļu sūcēju darbarīkam, putekļu sūcēju iespējams darbināt automātiski kopā ar darbarīka pārslēgšanas darbību.

► Att.32

Lai izmantotu bezvadu sistēmas aktivizēšanas funkciju, sagatavojiet ierīces.

- Bezvadu ierīci (papildu piederums)
- Putekļu sūcēju, kas atbalsta bezvadu sistēmas aktivizēšanas funkciju

Bezvadu sistēmas aktivizēšanas funkcijas iestatīšanas kopsavilkums. Plašāk par darbībām skatiet šajās sadaļās.

1. Bezvadu ierīces uzstādīšana
2. Darbarīka reģistrācija putekļu sūcējam
3. Bezvadu sistēmas aktivizēšanas funkcijas startēšana

Bezvadu ierīces uzstādīšana

Papildu pieredumi

⚠ UZMANĪBU: Kad uzstādāt bezvadu ierīci, darbarīku nolieciet uz līdzenas un stabilas virsmas.

IEVĒRĪBAI: Pirms bezvadu ierīces uzstādīšanas no darbarīka notīriet putekļus un netīrumus. Ja bezvadu ierīces atverē iekļūst puteklī vai netīrumi, tie var izraisīt darbības traucējumus.

IEVĒRĪBAI: Lai novērstu statiskās enerģijas radītos darbības traucējumus, pirms bezvadu ierīces pacelšanas pieskarieties statisko enerģiju izlādējošam materiālam, piemēram, darbarīka metāliskskajai daļai.

IEVĒRĪBAI: Uzstādot bezvadu ierīci, vienmēr pārliecinieties, ka bezvadu ierīce ievietota pareizajā virzienā, un pārsegs ir pilnībā aizvērts.

1. Atveriet darbarīka pārsegu, kā parādīts attēlā.

► **Att.33:** 1. Pārsegs

2. Bezvadu ierīci pievienojiet atverei un aizveriet pārsegu.

Pievienojot bezvadu ierīci, izvirkzījumus savietojiet ar padziļinājuma vietām uz atveres.

► **Att.34:** 1. Bezvadu ierīce 2. Izvirkzījums 3. Pārsegs 4. Padziļinājuma daļa

Noņemot bezvadu ierīci, pārsegu atveriet lēni. Ar āķiem pārsega aizmugurē bezvadu ierīce pacelsies līdz ar pārsega atvēršanu.

► **Att.35:** 1. Bezvadu ierīce 2. Āķis 3. Pārsegs

Pēc bezvadu ierīces noņemšanas glabājiet to komplekta ietvarā vai nestatiskā konteinerā.

IEVĒRĪBAI: Noņemot bezvadu ierīci, vienmēr izmantojiet āķus pārsega aizmugurē. Ja āķi nesatver bezvadu ierīci, tad pārsegu aizveriet un lēni atkal atveriet.

Darbarīka reģistrācija putekļu sūcējam

PIEZĪME: Lai reģistrētu darbarīku, nepieciešams Makita putekļu sūcējs, kas atbalsta bezvadu sistēmas aktivizēšanas funkciju.

PIEZĪME: Vispirms pabeidziet bezvadu ierīci uzstādīt darbarīkam, tikai tad sāciet darbarīka reģistrāciju.

PIEZĪME: Darbarīka reģistrācijas laikā nospiediet slēdža mēlīti un nospiediet ieslēgšanas slēdzi uz putekļu sūcēja.

PIEZĪME: Skatiet arī putekļu sūcēja lietošanas rokasgrāmatu.

Ja putekļu sūcēju vēlaties aktivizēt reizē ar darbarīka pārslēgšanas darbību, vispirms pabeidziet darbarīka reģistrāciju.

1. Putekļu sūcējā un darbarīkā ielieciet akumulatorus.

2. Gaidstāves slēdzi uz putekļu sūcēja pārslēdziet pozīcijā „AUTO”.

► **Att.36:** 1. Gaidstāves slēdzis

3. Nospiediet bezvadu sistēmas aktivizēšanas pogu uz putekļu sūcēja un turiet 3 sekundes, līdz bezvadu sistēmas aktivizēšanas lampiņa mirgo zaļā krāsā. Un tad tādā pašā veidā nospiediet bezvadu sistēmas aktivizēšanas pogu uz darbarīka.

► **Att.37:** 1. Bezvadu sistēmas aktivizēšanas poga 2. Bezvadu sistēmas aktivizēšanas lampiņa

Ja putekļu sūcējs un darbarīks savienoti veiksmīgi, bezvadu sistēmas aktivizēšanas lampiņas 2 sekundes degs zaļā krāsā un tad sāks mirgot zilā krāsā.

PIEZĪME: Bezvadu sistēmas aktivizēšanas lampiņas zaļā krāsā beidz mirgot pēc 20 sekundēm. Kamēr uz putekļu sūcēja mirgo bezvadu sistēmas aktivizēšanas lampiņa, nospiediet bezvadu sistēmas aktivizēšanas pogu uz darbarīka. Ja bezvadu sistēmas aktivizēšanas lampiņa nemirgo zaļā krāsā, uz mirkli piespiediet un atkal paturiet nospiestu bezvadu sistēmas aktivizēšanas pogu.

PIEZĪME: Ja vienam putekļu sūcējam reģistrējāt divus vai vairākus darbarīkus, tad darbarīku reģistrāciju pabeidziet sešiņi.

Bezvadu sistēmas aktivizēšanas funkcijas startēšana

PIEZĪME: Vispirms pabeidziet darbarīka reģistrāciju putekļu sūcējam, tikai tad aktivizējiet bezvadu sistēmu.

PIEZĪME: Skatiet arī putekļu sūcēja lietošanas rokasgrāmatu.

Kad putekļu sūcējs būs reģistrēts darbarīkam, putekļu sūcējs automātiski darbosies kopā ar darbarīka pārslēgšanas darbību.

1. Uzstādiet bezvadu ierīci darbarīkam.

2. Putekļu sūcēja šļūteni savienojiet ar darbarīku.

► **Att.38**

3. Gaidstāves slēdzi uz putekļu sūcēja pārslēdziet pozīcijā „AUTO”.

► **Att.39:** 1. Gaidstāves slēdzis

4. Uz mirkli piespiediet bezvadu sistēmas aktivizēšanas pogu uz darbarīka. Bezvadu sistēmas aktivizēšanas lampiņa iemirgosies zilā krāsā.

► **Att.40:** 1. Bezvadu sistēmas aktivizēšanas poga 2. Bezvadu sistēmas aktivizēšanas lampiņa

5. Nospiediet darbarīka slēdža mēlīti. Pārbaudiet, vai putekļu sūcējs darbojas, kamēr slēdža mēlīte ir nospiesta.

Lai apturētu putekļu sūcēja bezvadu sistēmas aktivizēšanu, nospiediet bezvadu sistēmas aktivizēšanas pogu uz darbarīka.

PIEZĪME: Bezzvadu sistēmas aktivizēšanas lampiņa uz darbarīka beigs mirgot zilā krāsā, kad darbarīks bezdarbībā būs bijis 2 stundas. Šajā gadījumā gaidstāves slēdzi uz putekļu sūcēja pārslēdziet pozīcijā „AUTO” un atkal nospiediet bezzvadu sistēmas aktivizēšanas pogu uz darbarīka.

PIEZĪME: Putekļu sūcējs ieslēdzas/izslēdzas ar aizkavi. Kad putekļu sūcējs konstatē darbarīka pārslēgšanas darbību, rodas laika nobīde.

PIEZĪME: Atrašanās vietas un apkārtnējo apstākļu dēļ var atšķirties bezzvadu ierīces signāla uztveršanas attālums.

PIEZĪME: Kad pie viena putekļu sūcēja pieslēgti divi vai vairāki darbarīki, putekļu sūcējs var sākt darboties pat tad, ja neospiež slēdža mēlīti, jo bezzvadu sistēmas aktivizēšanas funkciju izmanto cits lietotājs.

Bezzvadu sistēmas aktivizēšanas lampiņas statusa apraksts

► Att.41: 1. Bezzvadu sistēmas aktivizēšanas lampiņa

Bezzvadu sistēmas aktivizēšanas lampiņa rāda bezzvadu sistēmas aktivizēšanas funkcijas statusu. Lampiņas statusa nozīme norādīta tabulā.

Statuss	Bezzvadu sistēmas aktivizēšanas lampiņa				Apraksts
	Krāsa	<input type="checkbox"/> Deg	<input checked="" type="checkbox"/> Mirgo	Ilgums	
Gaidstāve	Zila	<input checked="" type="checkbox"/>		2 stundas	Putekļu sūcēja bezzvadu sistēmas aktivizēšana ir iespējama. Kad darbarīks bezdarbībā būs bijis 2 stundas, lampiņa izslēgsies automātiski.
		<input type="checkbox"/>		Kad darbarīks darbojas.	Putekļu sūcēja bezzvadu sistēmas aktivizēšana ir iespējama, darbarīks darbojas.
Darbarīka reģistrācija	Zaļa	<input checked="" type="checkbox"/>		20 sekundes	Sistēma ir gatava darbarīka reģistrācijai. Tiek gaidīta putekļu sūcēja reģistrācija.
		<input type="checkbox"/>		2 sekundes	Darbarīka reģistrācija ir pabeigta. Bezzvadu sistēmas aktivizēšanas lampiņa sāks mirgot zilā krāsā.
Darbarīka reģistrācijas atcelšana	Sarkana	<input checked="" type="checkbox"/>		20 sekundes	Sistēma ir gatava darbarīka reģistrācijas atcelšanai. Tiek gaidīta reģistrācijas atcelšana no putekļu sūcēja puses.
		<input type="checkbox"/>		2 sekundes	Darbarīka reģistrācijas atcelšana ir pabeigta. Bezzvadu sistēmas aktivizēšanas lampiņa sāks mirgot zilā krāsā.
Cits	Sarkana	<input type="checkbox"/>		3 sekundes	Bezzvadu ierīce saņem strāvu, sāk darboties bezzvadu sistēmas aktivizēšanas funkcija.
	Nedeg	-		-	Putekļu sūcēja bezzvadu sistēmas aktivizēšana ir apturēta.

Darbarīka reģistrācijas atcelšana putekļu sūcējam

Atceļot darbarīka reģistrāciju putekļu sūcējam, jārikojas šādi.

1. Putekļu sūcējā un darbarīkā ielieciet akumulatorus.
2. Gaidstāves slēdzi uz putekļu sūcēja pārslēdziet pozīcijā „AUTO”.

► Att.42: 1. Gaidstāves slēdzis

3. Nospiediet bezzvadu sistēmas aktivizēšanas pogu uz putekļu sūcēja un turiet 6 sekundes. Bezzvadu sistēmas aktivizēšanas lampiņa nomirgo zaļā krāsā un tad kļūst sarkana. Pēc tam tādā pašā veidā nospiediet bezzvadu sistēmas aktivizēšanas pogu uz darbarīka.

► Att.43: 1. Bezzvadu sistēmas aktivizēšanas poga

2. Bezzvadu sistēmas aktivizēšanas lampiņa

Ja atcelšana notikusi veiksmīgi, bezzvadu sistēmas aktivizēšanas lampiņas 2 sekundes degs sarkanā krāsā un sāks mirgot zilā krāsā.

PIEZĪME: Bezzvadu sistēmas aktivizēšanas lampiņas sarkanā krāsā beidz mirgot pēc 20 sekundēm. Kamēr uz putekļu sūcēja mirgo bezzvadu sistēmas aktivizēšanas lampiņa, nospiediet bezzvadu sistēmas aktivizēšanas pogu uz darbarīka. Ja bezzvadu sistēmas aktivizēšanas lampiņa nemirgo sarkanā krāsā, uz mirkli piespiediet un atkal paturiet nospiestu bezzvadu sistēmas aktivizēšanas pogu.

Traucējummeklēšana bezvadu sistēmas aktivizēšanas funkcijai

Pirms nodošanas remontā vispirms veiciet pārbaudi pats. Ja konstatējat kļūmi, kas nav aprakstīta rokasgrāmātā, nemēģiniet darbarīku izjaukt. Dodieties uz Makita pilnvarotu apkopes centru un remontam vienmēr izmantojiet tikai Makita rezerves daļas.

Neatbilstošas darbības stāvoklis	Iespējamais iemesls (kļūme)	Risinājums
Bezvadu sistēmas aktivizēšanas lampiņa neiedegas/nemirgo.	Bezvadu ierīce darbarīkā nav uzstādīta. Bezvadu ierīce darbarīkā ir uzstādīta nepareizi.	Uzstādiet bezvadu ierīci pareizi.
	Bezvadu ierīces izvads un/vai atvere ir netīra.	Uzmanīgi noslaukiet putekļus un netrumus no bezvadu ierīces izvada un izīriet atveri.
	Bezvadu sistēmas aktivizēšanas pogu uz darbarīka nav nospiesta.	Uz mirkli piespiediet bezvadu sistēmas aktivizēšanas pogu uz darbarīka.
	Gaidstāves slēdzis uz putekļu sūcēja nav ieslēgts pozīcijā „AUTO”.	Gaidstāves slēdzi uz putekļu sūcēja pārslēdziet pozīcijā „AUTO”.
	Nav strāvas padeves	Pieslēdziet strāvas padevi darbarīkam un putekļu sūcējam.
Neizdodas veiksmīgi pabeigt darbarīka reģistrāciju/darbarīka reģistrācijas atcelšanu.	Bezvadu ierīce darbarīkā nav uzstādīta. Bezvadu ierīce darbarīkā ir uzstādīta nepareizi.	Uzstādiet bezvadu ierīci pareizi.
	Bezvadu ierīces izvads un/vai atvere ir netīra.	Uzmanīgi noslaukiet putekļus un netrumus no bezvadu ierīces izvada un izīriet atveri.
	Gaidstāves slēdzis uz putekļu sūcēja nav ieslēgts pozīcijā „AUTO”.	Gaidstāves slēdzi uz putekļu sūcēja pārslēdziet pozīcijā „AUTO”.
	Nav strāvas padeves	Pieslēdziet strāvas padevi darbarīkam un putekļu sūcējam.
	Nepareiza darbība	Uz mirkli piespiediet bezvadu sistēmas aktivizēšanas pogu un atkal veiciet darbarīka reģistrācijas/atcelšanas procedūru.
	Darbarīks un putekļu sūcējs atrodas tālu viens no otra (ārpus signāla uztveršanas zonas).	Darbarīku un putekļu sūcēju novietojiet tuvāk vienu otram. Maksimālais signāla uztveršanas attālums ir apmēram 10 m, taču apstākļu ietekmē tas var atšķirties.
	Pirms darbarīka reģistrācijas/atcelšanas pabeigšanas - slēdža mēlīte uz darbarīka ir nospiesta vai - ieslēgšanas pogu uz putekļu sūcēja ir ieslēgta.	Uz mirkli piespiediet bezvadu sistēmas aktivizēšanas pogu un atkal veiciet darbarīka reģistrācijas/atcelšanas procedūru.
	Darbarīka reģistrācijas procedūra darbarīkam vai putekļu sūcējam nav pabeigta.	Vienlaikus veiciet darbarīka reģistrācijas procedūru gan darbarīkam, gan putekļu sūcējam.
	Radio traucējumi no citām iekārtām, kas ģenerē ļoti intensīvus radio viļņus.	Darbarīku un putekļu sūcēju neturiet tādu iekārtu tuvumā kā bezvadu tehnoloģiju (Wi-Fi) ierīces un mikroviļņu krāsnis.
	Putekļu sūcējs nedarbojas kopā ar darbarīka pārslēgšanas darbību.	Bezvadu ierīce darbarīkā nav uzstādīta. Bezvadu ierīce darbarīkā ir uzstādīta nepareizi.
Bezvadu ierīces izvads un/vai atvere ir netīra.		Uzmanīgi noslaukiet putekļus un netrumus no bezvadu ierīces izvada un izīriet atveri.
Bezvadu sistēmas aktivizēšanas pogu uz darbarīka nav nospiesta.		Uz mirkli piespiediet bezvadu sistēmas aktivizēšanas pogu un pārliecinieties, ka bezvadu sistēmas lampiņa mirgo zilā krāsā.
Gaidstāves slēdzis uz putekļu sūcēja nav ieslēgts pozīcijā „AUTO”.		Gaidstāves slēdzi uz putekļu sūcēja pārslēdziet pozīcijā „AUTO”.
Pie putekļu sūcēja ir pieslēgti vairāk nekā 10 darbarīki.		Atkārtoti reģistrējiet darbarīku. Ja putekļu sūcējam reģistrēti vairāk nekā 10 darbarīki, automātiski tiks atslēgts vissienāk reģistrētais darbarīks.
Visu reģistrēto darbarīku iestatījumi ir izdzēsti no putekļu sūcēja.		Atkārtoti reģistrējiet darbarīku.
Nav strāvas padeves		Pieslēdziet strāvas padevi darbarīkam un putekļu sūcējam.
Darbarīks un putekļu sūcējs atrodas tālu viens no otra (ārpus signāla uztveršanas zonas).		Darbarīku un putekļu sūcēju novietojiet tuvāk vienu pie otra. Maksimālais signāla uztveršanas attālums ir apmēram 10 m, taču apstākļu ietekmē tas var atšķirties.
Radio traucējumi no citām iekārtām, kas ģenerē ļoti intensīvus radio viļņus.		Darbarīku un putekļu sūcēju neturiet tādu iekārtu tuvumā kā bezvadu tehnoloģiju (Wi-Fi) ierīces un mikroviļņu krāsnis.
Putekļu sūcējs darbojas, lai gan nav nospiesta darbarīka slēdža mēlīte.	Putekļu sūcēja bezvadu sistēmas aktivizēšanas funkciju saviem darbarīkiem izmanto citi lietotāji.	Izslēdziet citu darbarīku bezvadu aktivizēšanas pogu vai atceliet darbarīka reģistrāciju citiem darbarīkiem.

APKOPE

⚠UZMANĪBU: Pirms darbarīka pārbaudes vai apkopes vienmēr pārlicinieties, ka darbarīks ir izslēgts un akumulatora kasetne ir izņemta.

IEVĒRĪBAI: Nekad neizmantojiet gāzoliņu, benzīnu, atšķaidītāju, spirtu vai līdzīgus šķidrumus. Tas var radīt izbalēšanu, deformāciju vai plaisas.

Lai saglabātu produkta DROŠU un UZTICAMU darbību, remontdarbus, apkopi un regulēšanu uzticiet veikt tikai Makita pilnvarotam apkopes centram un vienmēr izmantojiet tikai Makita rezerves daļas.

Gaisa ventilācijas atveru tīrīšana

Gaisa ventilācijas atverēm jābūt tīrām. Regulāri tīriet darbarīka ventilācijas atveres, kā arī ikreiz, kad atveres nosprostojas.

► **Att.44:** 1. Izplūdes atvere 2. Ieplūdes atvere

No ieplūdes atveres noņemiet putekļu aizsargu un notīriet, lai gaisa cirkulācija būtu brīva.

► **Att.45:** 1. Putekļu aizsargs

IEVĒRĪBAI: Kad putekļu aizsargs aizsērējis ar netīrumiem vai svešķermeņiem, iztīriet to. Ja darbarīku turpina lietot ar aizsērējušu putekļu aizsargu, darbarīku var sabojāt.

PAPILDU PIEDERUMI

⚠UZMANĪBU: Šādi piederumi un papildierīces tiek ieteiktas lietošanai ar šajā rokasgrāmatā aprakstīto Makita darbarīku. Izmantojot citus piederumus vai papildierīces, var tikt radīta trauma gūšanas bīstamība. Piederumu vai papildierīci izmantojiet tikai paredzētajam mērķim.

Ja jums vajadzīga palīdzība vai precīzāka informācija par šiem piederumiem, vērsieties savā tuvākajā Makita apkopes centrā.

- Makita oriģinālais akumulators un lādētājs

► **Att.46**

-	100 mm modelis	115 mm modelis	125 mm modelis
1	Rokturis 36		
2	Ripas aizsargs (slīpripi)		
3	Iekšējais atloks		
4	Slīprija ar ieliektu centru/plāksņu disks		
5	Kontruzgrieznis		
6	Balsta starplika		
7	Lokanā ripa		
8	Iekšējais atloks un gumijas starplika 76	Gumijas starplika 100	Gumijas starplika 115
9	Abrazīvā ripa		
10	Smilšpapīra jeb smalkās slīpēšanas kontruzgrieznis		
11	Stieple ripas suka		
12	Kausveida stieple suka		
13	Ripas aizsargs (griezējripi) *1		
14	Abrazīvā griezējripi/dimanta ripa		
15	Slīpriņas aizsargs ar putekļu savācēju		
-	Kontruzgriezņa atslēga		

PIEZĪME: *1 Dažās Eiropas valstīs, lietojot dimanta ripu, abas ripas puses sedzošā, īpašā aizsarga vietā var izmantot parasto aizsargu. Ievērojiet savas valsts normatīvus.

PIEZĪME: Daži sarakstā norādītie izstrādājumi var būt iekļauti instrumenta komplektācijā kā standarta piederumi. Tie dažādās valstīs var būt atšķirīgi.

SPECIFIKACIJOS

Modelis:	GA027G	GA028G	GA029G	GA030G	GA031G	GA032G
Disko skersmuo	100 mm (4")	115 mm (4-1/2")	125 mm (5")	100 mm (4")	115 mm (4-1/2")	125 mm (5")
Didž. disko storis	6,4 mm	7,2 mm		6,4 mm	7,2 mm	
Veleno sriegis	M10	M14 arba 5/8" (priklauso nuo šalies)		M10	M14 arba 5/8" (priklauso nuo šalies)	
Vardinis greitis (n)	8 500 min ⁻¹					
Bendrasis ilgis	su BL4025		413 mm			
	su BL4040		425 mm			
Grynasis svoris	2,9–3,4 kg	3,0–3,6 kg	3,0–4,5 kg	2,8–3,4 kg	2,9–3,6 kg	3,0–4,4 kg
Nominali įtampa	Nuol. sr. 36 V–40 V maks.					

- Atliekame testinius tyrimus ir nuolatos tobuliname savo gaminius, todėl čia pateikiamos specifikacijos gali būti keičiamos be įspėjimo.
- Skirtingose šalyse specifikacijos gali skirtis.
- Svoris gali priklausyti nuo priedo (-ų), įskaitant akumuliatoriaus kasetę. Lengviausias ir sunkiausias deriniai pagal EPTA 2014 m. sausio mėn. procedūrą yra parodyti lentelėje.

Tinkama akumuliatoriaus kasetė ir (arba) įkroviklis

Akumuliatoriaus kasetė	BL4025 / BL4040
Įkroviklis	DC40RA

- Atsižvelgiant į gyvenamosios vietos regioną, kai kurios pirmiau nurodytos akumuliatoriaus kasetės ir įkrovikliai gali būti neprieinami.

⚠️ISPĖJIMAS: Naudokite tik akumuliatoriaus kasetes ir įkroviklius, kurie nurodyti anksčiau. Naudojant bet kurias kitas akumuliatoriaus kasetes ir įkroviklius, gali kilti sužeidimo ir gaisro pavojus.

Numatytoji naudojimo paskirtis

Įrankis yra skirtas šlifuoti, šlifuoti šlifavimo popieriumi, šveisti vieliniu šepetėliu, metalui ir akmeniui pjauti nenau-dojoant vandens.

Triukšmas

Įprastas triukšmo A lygis, nustatytas pagal EN60745-2-3:

Modelis	Garso slėgio lygis (L _{psA}): (dB (A))	Garso galios lygis (L _{WA}): (dB (A))	Paklaida (K): (dB (A))
GA027G	81	92	3
GA028G	81	92	3
GA029G	82	93	3
GA030G	81	92	3
GA031G	81	92	3
GA032G	82	93	3

PASTABA: Paskelbta (-os) triukšmo reikšmė (-ės) nustatyta (-os) pagal standartinį testavimo metodą ir jį galima naudoti vienam įrankiui palyginti su kitu.

PASTABA: Paskelbta (-os) triukšmo reikšmė (-ės) taip pat gali būti naudojama (-os) norint preliminariai įvertinti triukšmo poveikį.

⚠️JSPĖJIMAS: Dėvėkite ausų apsaugą.

⚠️JSPĖJIMAS: Faktiškai naudojant elektrinį įrankį, keliamo triukšmo dydis gali skirtis nuo paskelbtos (-ų) reikšmės (-ių), priklausomai nuo būdų, kuriais yra naudojamas šis įrankis, ir ypač nuo to, kokio tipo ruošinys apdirbamas.

⚠️JSPĖJIMAS: Siekdami apsaugoti operatorių, būtina įvertinkite saugos priemones, remdamiesi vibracijos poveikio įvertinimu esant faktinėms naudojimo sąlygoms (atsižvelgdami į visas darbo ciklo dalis, pavyzdžiui, ne tik kiek laiko įrankis veikia, bet ir kiek kartų jis yra išjungiamas bei kai jis veikia be apkrovų).

Vibracija

Vibracijos bendroji vertė (trirašio vektorius suma) nustatyta pagal EN60745-2-3 standartą:

Darbo režimas: paviršiaus šlifavimas naudojant normalią šoninę rankeną

Modelis	Vibracijos emisija ($a_{h, AG}$): (m/s^2)	Paklaida (K): (m/s^2)
GA027G	4,5	1,5
GA028G	5,0	1,5
GA029G	6,0	1,5
GA030G	4,5	1,5
GA031G	5,0	1,5
GA032G	6,0	1,5

Darbo režimas: paviršiaus šlifavimas naudojant antivibracinę šoninę rankeną

Modelis	Vibracijos emisija ($a_{h, AG}$): (m/s^2)	Paklaida (K): (m/s^2)
GA027G	4,5	1,5
GA028G	5,0	1,5
GA029G	6,5	1,5
GA030G	4,5	1,5
GA031G	5,0	1,5
GA032G	6,5	1,5

Darbo režimas: diskinis šlifavimas naudojant normalią šoninę rankeną

Modelis	Vibracijos emisija ($a_{h, AG}$): (m/s^2)	Paklaida (K): (m/s^2)
GA027G	2,5 m/s^2 arba mažiau	1,5
GA028G	2,5	1,5
GA029G	3,0	1,5
GA030G	2,5 m/s^2 arba mažiau	1,5
GA031G	2,5	1,5
GA032G	3,0	1,5

Darbo režimas: diskinis šlifavimas naudojant antivibracinę šoninę rankeną

Modelis	Vibracijos emisija ($a_{h, AG}$): (m/s^2)	Paklaida (K): (m/s^2)
GA027G	2,5 m/s^2 arba mažiau	1,5
GA028G	2,5	1,5
GA029G	3,0	1,5
GA030G	2,5 m/s^2 arba mažiau	1,5
GA031G	2,5	1,5
GA032G	3,0	1,5

PASTABA: Paskelbta (-os) vibracijos bendroji (-osios) reikšmė (-ės) nustatyta (-os) pagal standartinį testavimo metodą ir ji galima naudoti vienam įrankiui palyginti su kitu.

PASTABA: Paskelbta (-os) vibracijos bendroji (-osios) reikšmė (-ės) taip pat gali būti naudojama (-os) norint preliminariai įvertinti vibracijos poveikį.

⚠️JSPĖJIMAS: Faktiškai naudojant elektrinį įrankį, keliamos vibracijos dydis gali skirtis nuo paskelbto (-ų) reikšmės (-ių), priklausomai nuo būdų, kuriais yra naudojamas šis įrankis, ir ypač nuo to, kokio tipo ruošinys apdirbamas.

⚠️JSPĖJIMAS: Siekdamis apsaugoti operatorių, būtina įvertinkite saugos priemones, remdamiesi vibracijos poveikio įvertinimo esant faktinėms naudojimo sąlygoms (atsižvelgdamas į visas darbo ciklo dalis, pavyzdžiui, ne tik kiek laiko įrankis veikia, bet ir kiek kartų jis yra išjungiamas bei kai jis veikia be apkrovų).

⚠️JSPĖJIMAS: Paskelbtasis keliamos vibracijos dydis galioja naudojant šį elektrinį įrankį pagrindiniams, numatytiems darbams atlikti. Tačiau, jeigu įrankis naudojamas kitiems darbams atlikti, keliamos vibracijos dydis gali būti kitoks.

EB atitikties deklaracija

Tik Europos šalims

EB atitikties deklaracija yra pridama kaip šio instrukcijų vadovo A priedas.

SAUGOS ĮSPĖJIMAI

Bendrieji įspėjimai dirbant elektriniais įrankiais

⚠️JSPĖJIMAS: Perskaitykite visus saugos įspėjimus, instrukcijas, iliustracijas ir techninius duomenis, pateiktus kartu su šiuo elektriniu įrankiu. Nesilaikant visų toliau išvardytų instrukcijų galima patirti elektros smūgi, gali kilti gaisras ir (arba) galima sunkiai susižaloti.

Išsaugokite visus įspėjimus ir instrukcijas, kad galėtumėte jas peržiūrėti ateityje.

Terminas „elektrinis įrankis“ pateiktuose įspėjimuose reiškia į maitinimo tinklą jungiamą (laidinį) elektrinį įrankį arba akumuliatoriaus maitinamą (belaidį) elektrinį įrankį.

Įspėjimai dėl belaidžio šlifjuoklio saugos

Bendri saugos įspėjimai šlifjuojant, šlifjuojant šlifavimo popieriumi, šveičiant vieliniu šepetėiu ir atliekant šlifjuojamojo pjaustymo darbus:

1. Šis elektrinis įrankis skirtas naudoti kaip šlifavimo staklės, šlifutuvas šlifavimo popieriumi, vielinis šepetys ar pjaustymo įrankis. Perskaitykite visus saugumo įspėjimus, instrukcijas, iliustracijas bei technines sąlygas, pateikiamas kartu su šiuo elektriniu įrankiu. Dėl toliau pateiktų instrukcijų nesilaikymo gali kilti elektros smūgio, gaisro ir (arba) rimto sužeidimo pavojus.
2. Su šiuo elektriniu įrankiu nerekomenduojama atlikti tokių darbų kaip poliravimas. Darbai, kuriems šis elektrinis įrankis nėra skirtas, gali kelti pavojų bei sąlygoti susižeidimą.
3. Nenaudokite priedų, kurie nėra specialiai sukurti ir rekomenduojami įrankio gamintojo. Nors priedą ir galima pritaisyti prie jūsų elektrinio įrankio, tai vistiek neužtikrina saugios eksploatacijos.
4. Nominalusis priedo greitis turi būti bent jau lygus maksimaliam greičiui, nurodytam ant elektrinio įrankio. Priedai, kurie veikia greičiau už vardinį greitį, gali sulūžti ir atsiskirti.
5. Priedo išorinis skersmuo ir storis turi atitikti elektrinio įrankio pajėgumo kategoriją. Netinkamo dydžio priedų negalima tinkamai apsaugoti skydais ar valdyti.
6. Srieginių priedų jungiamoji dalis privalo atitikti šlifjuoklio veleno sriegį. Priedų, montuojamų naudojant junges, angos velenui dydis privalo tiksliai atitikti jungės fiksavimo skersmenį. Naudojami priedai, kurių dydis neatitinka elektrinio įrankio dalių, prie kurių jie montuojami, dydžio, išbalansuos įrankį, sukels pernelyg didelę vibraciją bei įrankio valdymo praradimą.
7. Nenaudokite sugadinto priedo. Kiekvieną kartą prieš naudodami įrankį patikrinkite jo priedus, pvz., ar šlifavimo diskai nenuauduoti ir nesutrūkę, ar nėra atraminių padėklų įtrūkių, plyšių ar jie ne per daug nusidėvėję, ar nėra iškritusių vielinio šepetėlio vielų ir ar jos nenulūžusios. Jei elektrinis įrankis ar jo priedas buvo numestas, patikrinkite, ar nėra pažeidimų, arba naudokite nepažeistą priedą. Patikrinę ir įtaisę priedą, atsistokite bei nuveskite stebinčiuosius toliau nuo besisukančio priedo plokštumos ir paleiskite elektrinį įrankį veikti maksimaliu greičiu be apkrovos 1 minutę. Paprastai per šį tikrinimo laiką pažeisti priedai turėtų suskilti.
8. Naudokite asmeninės apsaugos priemones. Priklausomai nuo pritaikymo, naudokite apsauginį veido skydelį, tamsius arba apsauginius akinius. Kaip pridera, dėvėkite apsaugos nuo dulkių kaukę, klausos apsaugą, pirštines ir dirbtuvės prijuostę, sulaikančią smulkius abrazyvus ar ruošinio skeveldras. Akių apsauga turi saulaukyti skriejančias nuolaužas, susidariusias įvairių operacijų metu. Apsaugos nuo dulkių kaukė arba respiratorius turi filtruoti darbo metu susidariusias dalelytes. Dėl intensyvaus ilgalaikio triukšmo galima prarasti klausą.
9. Laikykite stebinčiuosius toliau nuo darbo vietos. Kiekvienas, užėmantis į darbo vietą, turi dėvėti asmeninę apsaugos aprangą. Ruošinio ar sulūžusio priedo skeveldros gali nuskrietti toliau ir sužeisti asmenis už tuo metu atliekamo darbo zonas.
10. Jei dirbant pjomuo įrankis gali kliudyti paslėptus laidus, elektrinį įrankį laikykite tik už izoliuotų paviršių. Įrankiui prilietus laidą, kuriame yra įtampa, neizoliuotose metalinėse elektrinio įrankio dalyse taip pat gali atsirasti įtampa, dėl kurios operatorius gali patirti elektros smūgį.
11. Niekada nepadėkite šio elektrinio įrankio, kol jo priedas nėra visiškai sustojęs. Greitai besisukantis priedas gali užkabinti paviršių ir jūs galite nebesuvaldyti elektrinio įrankio.

12. **Nešant įrankį prie savo šono, jis turi būti išjungtas.** Greitai besisukantis priedas gali atsitiktinai užkabinti jūsų drabužius ir jus sužaloti.
13. **Reguliariai išvalykite elektrinio įrankio oro ventiliacijos angas.** Variklio ventiliatorius traukia dulkes į korpuso vidų ir dėl per didelių metalo dulkių suskaupų gali kilti su elektros įranga susijęs pavojus.
14. **Nenaudokite elektrinio įrankio būdami netoliese degių medžiagų.** Nuo kibirkščių degiosios medžiagos gali užsidegti.
15. **Nenaudokite priedų, kuriems reikalingi skysti aušinimo skysčiai.** Naudojant vandenį ar kitą skystį gali ištikti mirtina elektros trauma ar elektros smūgis.

Atatranka ir su ja susiję įspėjimai

Atatranka yra staigi reakcija į suspaustą arba sugriebtą besisukančią diską, atraminį padėklą, šepetį ar kitą priedą. Suspaudimas arba sugnybimas sukelia staigų besisukančio priedo sulaikimą, dėl to nevaldomas elektrinis įrankis sulaiykimo taške verčiamas judėti priešinga priedo sukimuisi kryptimi.

Pavyzdžiui, jeigu šlifavimo diską suspaudžia ruošinys, disko kraštas, kuris patenka į suspaudimo tašką, gali įsikirsti į medžiagos paviršį ir dėl to diskas atšoks. Diskas gali atsokti į operatorių arba nuo jo; tai priklauso nuo disko sukimosi krypties suspaudimo metu. Šlifavimo diskas tokiomis sąlygomis gali ir sulūžti.

Atatranka yra piktnaudžiavimo elektriniu įrankiu ir (arba) netinkamų darbo procedūrų ar sąlygų rezultatas, jos galima išvengti vadovaujantis toliau nurodytomis atsargumo priemonėmis.

1. **Tvirtai laikykite elektrinį įrankį ir stovėkite taip, kad jūsų kūnas bei ranka netrukdėtų priešintis atatrankos jėgoms. Visada naudokite papildomą rankeną, jei tokia yra, kad įjungimo metu galėtumėte maksimaliai valdyti atatranką ar sukamojo momento reakcijas.** Operatorius gali valdyti sukamojo momento reakciją bei atatrankos jėgą, jei imasi atitinkamų atsargumo priemonių.
2. **Niekada nelaikykite rankos šalia besisukančio priedo.** Priedas gali atsikrenti į jūsų ranką.
3. **Nebūkite toje zonoje, kurios link judės elektrinis įrankis, jei įvyks atatranka.** Atatranka pastums įrankį priešinga disko sukimuisi kryptimi suspaudimo taške.
4. **Ypač saugokitės apdirbdami kampus, aštirus kraštus ir pan. Stenkitės priedo nesutrenkti ir neužkliudyti.** Besisukantis priedas gali užsikabinti ar atsikrenti į kampus, aštirus kraštus ir sukelti atatranką, o dėl to galima nebesuvaldyti įrankio.
5. **Nenaudokite pjūklo grandinės su medį raižančiais asmenimis ar dantytos pjūklo grandinės.** Tokie diskai dažnai sukelia atatranką ir įrankio suvaldymo problemų.

Specialūs saugos įspėjimai atliekant šlifavimo ir abrazyvinio pjaustymo darbus:

1. **Naudokite tik tuos diskus, kurie rekomenduojami naudoti su elektriniu įrankiu, ir specialią tam diskui skirtą apsaugą.** Diskai, kurie netinka elektriniam įrankiui, negali būti tinkamai apsaugoti ir yra nesaugūs.
2. **Sumontuotų diskų su įspaustu centru šlifavimo paviršius privalo būti žemiau apsauginio gaubto krašto plokštumos.** Netinkamai sumontuoto disko, kuris kyšo pro apsauginio gaubto krašto plokštumą, nebus galima tinkamai apsaugoti.

3. **Apsaugą turi būti tinkamai pritvirtinta prie elektrinio įrankio, o siekiant apsaugoti kuo labiau, uždėta taip, kad kuo mažesnis disko dalis galėtų paveikti operatorių.** Apsauginis gaubtas padeda apsaugoti operatorių nuo atskilusių disko dalelių ir netyčinio prisilietimo prie disko bei žiežirbų, kurios gali uždegti drabužius.
4. **Diskai turi būti naudojami tik pagal rekomenduojamą paskirtį. Pavyzdžiui, nešlifukite pjovimo disko šonu.** Šlifaujantys pjovimo diskai yra skirti periferiniam šlifavimui, todėl diskus veikiančios šoninės jėgos juos gali suskaldyti.
5. **Visada naudokite tik nesugadintas diskų junges, kurios pasirinktam diskui yra tinkamo dydžio bei formos.** Tinkamos diskų jungės prilaiko diską, mažindamos disko trūkimo tikimybę. Pjovimo diskams skirtos jungės gali skirtis nuo šlifavimo diskų jungių.
6. **Nenaudokite nusidėvėjusių diskų nuo didesnių elektrinių įrankių.** Didesniems elektriniams įrankiams skirti diskai netinka greičiau besisukančiam mažesniai įrankiui, jie gali sutrukinti į tūkstančius dalių.

Papildomi specialūs saugos įspėjimai atliekant abrazyvinio pjaustymo darbus:

1. **Saugokitės, kad pjovimo diskas neįstrigtų, ir pernelyg nespauskite. Nemėginkite atlikti pernelyg gilių pjūvių.** Per stipriai spaudžiant, padidėja apkrova ir disko persikreipimo ar užstrigimo pjbūvė tikimybė bei atatrankos ar disko lūžimo galimybė.
2. **Nestovėkite vienoje eilėje su besisukančiu disku ir už jo.** Kai diskas veikimo metu juda nuo jūsų kūno, galima atatranka gali pastumti besisukančią diską ir elektrinį įrankį tiesiai į jus.
3. **Kai diskas užstrigo arba kai pjovimas dėl kitų priežasčių nutraukiamas, išjunkite elektrinį įrankį ir nejudinkite jo, kol diskas visiškai nenustos sukėti.** Niekada nebandykite išimti pjovimo disko iš pjūvio, kai diskas sukasi, nes gali susidaryti atatranka. Ištrinkite ir imkitės tinkamų veiksmy, kad pašalintumėte disko užstrigimo priežastį.
4. **Nepradėkite iš naujo pjauti, kai diskas ruošinyje. Leiskite, kad diskas pasiektų visą greitį ir tik tada atsargiai įleiskite jį į pjūvį.** Diskas gali įstrigti, išskoti arba atsokti, jeigu elektrinis įrankis bus iš naujo paleistas diskui esant ruošinyje.
5. **Plokštes ar kitus per didelio dydžio ruošinius paremkite ir taip sumažinkite pavojų, kad diskas bus suspaustas ir atšoks.** Dideli ruošiniai linksta dėl savo pačių svorio. Ruošinį reikia paremti iš abiejų disko pusių, šalia pjovimo linijos ir prie ruošinio krašto.
6. **Ypač būkite atsargūs įpjaudami sienas arba kitas aklinas vietas.** Atsikisęs diskas gali įpjauti dujų ar vandens vamzdžius, elektros laidus arba objektus, kurie gali sukelti atatranką.

Specialūs saugos įspėjimai atliekant šlifavimo darbus šlifavimo popieriumi:

1. **Nenaudokite itin didelio dydžio šlifavimo disko popieriaus. Laikykites gamintojo rekomendacijų, kai renkatės šlifavimo popierių.** Didesnis šlifavimo popierius, kuris išsikiša už šlifavimo padėklo ribų, gali sukelti įplėšimo pavojų, dėl to gali lūžti diskas arba įvykti atatranka.

Specialūs saugos įspėjimai dirbant su vielinio šepučiu:

1. **Atkreipkite dėmesį, kad vieliniai šereliai krinta iš šepučio netgi įprasto naudojimo metu.** Nespauskite per daug šerelių, naudodami didelę jėgą šepučiu. Vieliniai šereliai gali lengvai pradurti ploną drabužį ir (arba) odą.
2. **Jeigu rekomenduojama naudoti vielinio šepučio apsaugą, neleiskite, kad vielinis diskas ar šepetys būtų naudojami be apsaugos.** Vielinio disko ar šepučio skersmuo dėl darbinio krūvio ir išcentrinų jėgų poveikio gali padidėti.

Papildomi saugos įspėjimai:

1. Naudodami nuspaustus centrinius šlifavimo diskus, būtinai naudokite tik stiklo pluoštu sustiprintus diskus.
2. **Su šiuo šlifuoekliu NIEKADA NENAUDOKITE taurelės formos akmeninio šlifavimo disko.** Šis šlifuoeklis nėra skirtas naudoti su šio tipo diskais, todėl naudojant tokį gaminį galima sunkiai susižeisti.
3. **Nepažeiskite veleno, jungės (ypač montavimo paviršiaus) ir fiksavimo galvutės.** Dėl šių dalių pažeidimų gali lūžti diskas.
4. **Prieš įjungdami jungiklį patikrinkite, ar diskas nesiliečia su ruošiniu.**
5. **Prieš naudodami įrankį su ruošiniu, leiskite jam kurį laiką veikti be apkrovos.** Stebėkite, ar nėra vibracijos ar klibėjimo, rodančio, jog blogai surinkta ar kad blogai subalansuotas diskas.
6. **Šlifavimui naudokite nurodyto paviršiaus diską.**
7. **Nepalikite veikiančio įrankio.** Naudokite įrankį tik laikydami rankomis.
8. **Nelieskite ruošinio iškart po naudojimo; jis gali būti itin karštas ir nudeginti odą.**
9. **Nelieskite priedų iš karto po naudojimo; jie gali būti itin karšti ir nudeginti odą.**
10. **Laikykitės gamintojo nurodymų apie teisingą diskų uždėjimą ir naudojimą.** Su diskais elkitės ir juos laikykite rūpestingai.
11. **Nenaudokite atskirų mažinimo įvorių arba adaperių, skirtų didelių skylių šlifuojamiesiems diskams uždėti.**
12. **Naudokite tik šiam įrankiui nurodytas junges.**
13. **Jei naudojate įrankius, kuriems skirti diskai su sriegiu, įsitinkinkite, ar sriegis diske yra pakankamai ilgas, kad tiktų veleno ilgis.**
14. **Patikrinkite, ar ruošinys yra tinkamai palaikomas.**
15. **Atkreipkite dėmesį, kad išjungus įrankį diskas toliau sukasi.**
16. **Jei darbo vieta yra ypač karšta ir drėgna arba labai užteršta laidžiomis dulkėmis, naudokite užtrumpinimo pertraukiklį (30 mA), kad užtikrintumėte naudojimo saugumą.**
17. **Nenaudokite įrankio su bet kokiais medžiagomis, kuriose yra asbesto.**
18. **Kai naudojate pjovimo diską, visuomet dirbkite su dulkes renkančia disko apsauga, kurios reikalauja vietinės taisyklės.**
19. **Pjovimo diskų negalima spausti iš šonų.**

20. **Nenaudokite medžiaginių pirštinių darbo metu.** Medžiaginių pirštinių audinio pluoštų gali patekti į įrankį, todėl įrankis gali sugesti.

SAUGOKITE ŠIAS INSTRUKCIJAS.

▲ISPĖJIMAS: NELEISKITE, kad patogumas ir gaminio papalpinimas (įgyjamas pakartotinai naudojant) susilpnintų griežtą saugos taisyklių, taisyklių šiam gaminiui, laikymąsi. Dėl NETINKAMO NAUDOJIMO arba saugos taisyklių, kurios pateiktos šioje instrukcijoje, nesilaikymo galima rimtai susižeisti.

Svarbios saugos instrukcijos, taikomos akumulatoriaus kasetei

1. **Prieš naudodami akumulatoriaus kasetę, perskaitykite visas instrukcijas ir perspėjimus ant (1) akumuliatorių įkroviklio, (2) akumuliatorių ir (3) akumuliatorių naudojančio gaminio.**
2. **Neardykite ir negadinkite akumulatoriaus kasetės.** Dėl to ji gali užsidegti, per daug įkaisti arba sprogti.
3. **Jei įrankio darbo laikas žymiai sutrumpėjo, nedelsdami nutraukite darbą su įrankiu.** Tai gali kelti perkaitimo, nudegimų ar net sprogdimo pavojų.
4. **Jei elektrolitas pateko į akis, plaukite jas tyru vandeniu ir nedelsdami kreipkitės į gydytoją.** Gali kilti regėjimo praradimo pavojus.
5. **Neužtrumpinkite akumulatoriaus kasetės:**
 - (1) **Nelieskite kontaktų degiomis medžiagomis.**
 - (2) **Venkite laikyti akumulatoriaus kasetę kartu su kitais metaliniais daiktais, pavyzdžiui, vinimis, monetomis ir pan.**
 - (3) **Saugokite akumulatoriaus kasetę nuo vandens ir lietaus.****Trumpasis jungimas akumulatoriui gali sukelti stiprią srovę, perkaitimą, galimus nudegimus ar net akumulatoriaus gedimą.**
6. **Nelaikykite ir nenaudokite įrankio ir akumulatoriaus kasetės vietose, kur temperatūra gali pasiekti ar viršyti 50 °C (122 °F).**
7. **Nedeginkite akumulatoriaus kasetės, net jei yra stipriai pažeista ar visiškai susidėjęs.** Ugnyje akumulatoriaus kasetė gali sprogti.
8. **Akumulatoriaus kasetės nekalkite, nepjauskykite ir nemėtykite ir taip pat į ją netrąnkykite kietu daiktu.** Taip elgiantis, ji gali užsidegti, per daug įkaisti arba sprogti.
9. **Nenaudokite pažeisto akumulatoriaus.**
10. **Įdėtoms ličio jonų akumulatoriams taikomi Pavojų prekių teisės akto reikalavimai.** Komerčinis transportas, pvz., trečiųjų šalių, prekių vežimo atstovų, turi laikytis specialaus reikalavimo ant pakuotės ir ženklavimo. Norėdami paruošti siųstiną prekę, pasitarkite su pavojuingų medžiagų specialistu. Be to, laikykitės galimai išsamesnių nacionalinių reglamentų. Užklijuokite juosta arba padenkite atvirus kontaktus ir supakuokite akumuliatorių taip, kad ji pakuotėje nejudėtų.

1. Kai išimate akumulatoriaus kasetę, išimkite ją iš įrankio ir išmeskite saugioje vietoje. Vadovaukitės vietos reglamentais dėl akumuliatorių išmetimo.
2. Baterijas naudokite tik su „Makita“ nurodytais gaminiais. Baterijas įdėjus į netinkamus gaminius gali kilti gaisras, gaminys pemeļy kaistti, kilti sproginimas arba pratekėti elektrolitas.
3. Jei įrankis bus ilgą laiką nenaudojamas, akumuliatorių būtina išimti iš įrankio.
4. Darbo metu ir po akumulatoriaus kasetė gali būti įkaitusi ir dėl to nudeginti. Imdami akumulatoriaus kasetes, būkite atsargūs.
5. Tuojau pat po naudojimo nelieskite įrankio gnybtu, nes jie gali būti įkaitę tiek, kad nudegins.
6. Neleiskite, kad į akumulatoriaus kasetės gnybtus, angas ir griovelius patektų drožlių, dulkių ar žemių. Dėl to įrankis ar akumulatoriaus kasetė gali imti prastai veikti ar sugesti.
7. Jeigu įrankis nėra pritaikytas naudoti šalia aukštos įtampos elektros linijų, akumulatoriaus kasetės nenaudokite šalia aukštos įtampos elektros linijų. Dėl to gali sutrikti įrankio ar akumulatoriaus kasetės veikimas arba jie gali sugesti.

SAUGOKITE ŠIAS INSTRUKCIJAS.

⚠️ PERSPĖJIMAS: Naudokite tik originalų „Makita“ akumuliatorių. Neoriginalaus „Makita“ arba pakeisto akumulatoriaus naudojimas gali nulemti arba gaisrą, asmens sužalojimą ir pažeidimą. Tai taip pat panaikina „Makita“ suteikiamą „Makita“ įrankio ir įkroviklio garantiją.

Patarimai, ką daryti, kad akumulatorius veiktų kuo ilgiau

1. Pakraukite akumulatoriaus kasetę prieš ją visiškai išsikraunant. Visuomet nustokite naudoti įrankį ir pakraukite akumulatoriaus kasetę, kai pastebite, kad įrankio galia sumažėjo.
2. Niekada nekraukite iki galo įkrautos akumulatoriaus kasetės. Perkraunant trumpėja akumulatoriaus eksploatacijos laikas.
3. Akumulatoriaus kasetę kraukite esant kambario temperatūrai 10 - 40 °C. Prieš pradėdami krauti, leiskite įkaitusiai akumulatoriaus kasetei atvėsti.
4. Kai akumulatoriaus kasetės nenaudojate, ją išimkite iš įrankio ar įkroviklio.
5. Įkraukite akumulatoriaus kasetę, jei jos nenaudojate ilgą laiką (ilgiau nei šešis mėnesius).

Svarbios saugumo instrukcijos dėl belaidžio bloko

1. Neardykite ir nekeiskite belaidžio bloko.
2. Laikykite belaidį bloką vaikams nepasiekiamoje vietoje. Netyčia prarijus reikia nedelsiant kreiptis į medikus.
3. Naudokite belaidį bloką tik su „Makita“ įrankiais.

4. Saugokite belaidžio bloką nuo lietaus ir nenaudokite jo esant drėgnoms oro sąlygoms.
5. Nenaudokite belaidžio bloko vietose, kur temperatūra viršija 50 °C.
6. Nenaudokite belaidžio bloko netoli medicinios instrumentų, pavyzdžiui, širdies stimulatorių.
7. Nenaudokite belaidžio bloko netoli automatiinių prietaisų. Automatiniai prietaisai gali sugesti arba gali įvykti klaida.
8. Nenaudokite belaidžio bloko ten, kur gali padidėti temperatūra arba atsirasti statinis elektros krūvis arba elektrinis triukšmas.
9. Belaidis blokas gali sukurti elektromagnetinius laukus (EML), bet jie naudotojų nekenksmingi.
10. Belaidis blokas yra tikslusis instrumentas. Saugokite belaidį bloką nuo kritimo ir smūgių.
11. Nelieskite belaidžio bloko kontakto plikomis rankomis arba metaliniais įrankiais.
12. Įdėdami belaidį bloką visada išimkite gaminio akumuliatorių.
13. Atidarydami angos dangtelį venkite vietų, kur į ją gali patekti dulkių ir vandens. Anga visada turi būti švari.
14. Belaidį bloką visada dėkite reikiama kryptimi.
15. Per smarkiai nespauskite belaidžio aktyvinimo mygtuko ant belaidžio bloko, nespauskite jo aštriu daiktu.
16. Dirbdami visada uždarykite angos dangtelį.
17. Kai įrankiui tiekiamas maitinimas, niekada neimkite belaidžio bloko iš angos. Kitaip belaidis blokas gali sugesti.
18. Nenuimkite lipduko nuo belaidžio bloko.
19. Neklijuokite jokio lipduko ant belaidžio bloko.
20. Nepalikite belaidžio bloko ten, kur gali atsirasti statinis elektros krūvis arba elektrinis triukšmas.
21. Nepalikite belaidžio bloko karštoje vietoje, pavyzdžiui, automobilyje prieš saulę.
22. Nepalikite belaidžio bloko dulkėtoje ar miltuotoje vietoje arba ten, kur gali atsirasti esdinančiųjų dujų.
23. Nuo staigaus temperatūros pokyčio belaidis blokas gali aprasoti. Nenaudokite belaidžio bloko, kol rasa visiškai nenudžiūvo.
24. Norėdami nuvalyti belaidį bloką, švelniai pavalykite sausa minkšta šluoste. Nenaudokite benzino, skiediklio, laidaus tepalo ir panašių medžiagų.
25. Laikykite belaidį bloką pridėtame dėkle arba nuo statinio krūvio apsaugotoje taroje.
26. Nekiškite į įrankio angą jokių kitų prietaisų, išskyrus „Makita“ belaidį bloką.
27. Nenaudokite įrankio, kurio angos dangtelis pažeistas. Į angą patekęs vanduo, dulkės ir purvas gali jį sugadinti.
28. Netraukite ir (arba) nesukite angos dangtelio daugiau, nei reikia. Atstatykite dangtelį į vietą, jei jis nukrinta nuo įrankio.
29. Pakeiskite angos dangtelį, jei jo nėra arba jis pažeistas.

SAUGOKITE ŠIAS INSTRUKCIJAS.

VEIKIMO APRAŠYMAS

⚠️ PERSPĖJIMAS: Prieš pradėdami reguliuoti arba tikrinti įrankio veikimą, visuomet būtinai išjunkite įrankį ir išimkite akumuliatoriaus kasetę.

Akumuliatoriaus kasetės uždėjimas ir nuėmimas

⚠️ PERSPĖJIMAS: Prieš įdėdami arba išimdami akumuliatoriaus kasetę, visada išjunkite įrankį.

⚠️ PERSPĖJIMAS: Įdėdami arba išimdami akumuliatoriaus kasetę, tvirtai laikykite įrankį ir akumuliatoriaus kasetę. Jeigu įrankį ir akumuliatoriaus kasetę laikysite netvirtai, jie gali išslysti iš jūsų rankų, todėl įrankis ir akumuliatoriaus kasetė gali būti sugadinti, o naudotojas sužalotas.

- **Pav.1:** 1. Raudonas indikatorius 2. Mygtukas 3. Akumuliatoriaus kasetė

Jei norite išimti akumuliatoriaus kasetę, ištraukite ją iš įrankio, stumdami mygtuką, esantį kasetės priekyje.

Jei norite įdėti akumuliatoriaus kasetę, sulygiuokite liežuvelį ant akumuliatoriaus kasetės su grioveliu korpuse ir įstumkite į jai skirtą vietą. Įdėkite iki galo, kol spragtelėdama užsifiksuos. Jeigu matote raudoną indikatorių viršutinėje mygtuko pusėje, ji nėra visiškai užfiksuota.

⚠️ PERSPĖJIMAS: Akumuliatoriaus kasetę visada įkiškite iki galo, kol nebematysite raudono indikatoriaus. Priešingu atveju ji gali atsitiktinai iškristi iš įrankio, sužeisti jus arba aplinkinius.

⚠️ PERSPĖJIMAS: Nekiškite akumuliatoriaus kasetės įgela. Jeigu kasetė sunkiai lenda, ją kiškite netinkamai.

Likusios akumuliatoriaus galios rodymas

Paspauskite akumuliatoriaus kasetės tikrinimo mygtuką, kad būtų rodoma likusi akumuliatoriaus energija. Maždaug trims sekundėms užsidegs indikatorių lemputės.

- **Pav.2:** 1. Indikatorių lemputės 2. Tikrinimo mygtukas

Indikatorių lemputės			Likusi galia
Šviečia	Nešviečia	Blyksti	
			75 - 100 %
			50 - 75 %
			25 - 50 %
			0 - 25 %
			Įkraukite akumuliatorių.
			Galimai įvyko akumuliatoriaus veikimo triktis.

PASTABA: Rodmuo gali šiek tiek skirtis nuo faktinės energijos lygio – tai priklauso nuo naudojimo sąlygų ir aplinkos temperatūros.

Įrankio / akumuliatoriaus apsaugos sistema

Įrankyje įrengta įrankio / akumuliatoriaus apsaugos sistema. Ši sistema automatiškai atjungia variklio maitinimą, kad įrankis ir akumuliatorius ilgiau veiktų. Įrankis automatiškai išsijungs darbo metu esant vienai iš toliau nurodytų įrankio arba akumuliatoriaus darbo sąlygų:

Apsauga nuo perkrovos

Kai įrankis / akumuliatorius naudojamas taip, kad neįprastai padidėja elektros srovė, įrankis automatiškai išsijungia nepateikiant jokių indikatorių įspėjimų. Tokiu atveju išjunkite įrankį ir nutraukite darbą, dėl kurio kilo įrankio perkrova. Tada vėl įjunkite įrankį.

Apsauga nuo perkaitimo

Kai įrankis / akumuliatorius perkaista, įrankis automatiškai išsijungia. Prieš vėl įjungdami įrankį, leiskite jam atvėsti.

Apsauga nuo visiško išsekimo

Kai akumuliatoriaus įkrovos lygis nepakankamas, įrankis automatiškai išsijungia. Tokiu atveju ištraukite akumuliatorių iš įrankio ir įkraukite jį.

Apsauginio stabdiklio išjungimas

Pakartotinai suveikus apsaugos sistemai, įrankis yra užblokuotas. Tokiu atveju įrankis neįsijungia net ir pabandžius jį išjungti ir vėl įjungti. Norėdami išjungti apsauginį stabdiklį, išimkite akumuliatorių, įdėkite jį į akumuliatoriaus įkroviklį ir palaukite, kol jis bus įkrautas.

Ašies fiksatorius

Paspauskite ašies fiksatorių, kad velenas nesisuktų, kai dedate ar nuimate priedus.

- **Pav.3:** 1. Ašies fiksatorius

PASTABA: Niekada neįjunkite ašies fiksatoriaus, kai velenas juda. Įrankis galis sugesti.

Jungiklio veikimas

⚠️ PERSPĖJIMAS: Prieš dėdami keičiamąjį akumuliatorių į įrankį, visada patikrinkite, ar svirtinis jungiklis tinkamai veikia ir atleistas grįžta į padėtį OFF (išjungta).

⚠️ PERSPĖJIMAS: Jūsų pačių saugumui šiame įrankyje įrengta atlaisvinimo svirtis, kuri neleidžia netyčia įjungti įrankio. NIEKADA nenaudokite veikiančio įrankio, jeigu nuspaudėte tik svirtinį jungiklį, nepatraukę atlaisvinimo svirtelės, PRIEŠ pradėdami vėl naudoti įrankį, atiduokite jį suremontuoti ir mūsų įgaliotajai techninės priežiūros centrą.

⚠️ PERSPĖJIMAS: Negalima stipriai spausti svirtinio jungiklio, nenuspaudus atlaisvinimo svirtelės. Taip galima sugadinti jungiklį.

⚠️ PERSPĖJIMAS: NIEKADA neužklijuokite lipnia juostele ir nepanaikinkite atlaisvinimo svirtelės paskirties bei funkcijos.

► **Pav.4:** 1. Atlaisvinimo svirtelė 2. Svirtinis jungiklis
Įtaisyta atlaisvinimo svirtelė apsaugo nuo svirtinio jungiklio atsitiktinio nuspaudimo.
Norėdami įjungti įrankį, patraukite atlaisvinimo svirtelę savęs link ir paspauskite svirtinį jungiklį.
Norėdami išjungti įrankį, atleiskite svirtinį jungiklį.

Greičio reguliavimo ratukas

Prietaiso sukimosi greitį galima keisti sukant greičio reguliavimo ratuką. Toliau pateiktoje lentelėje parodytas skaičius skalėje ir atitinkamas sukimosi greitis.

► **Pav.5:** 1. Greičio reguliavimo ratukas

Skaičius	Greitis
1	3 000 min ⁻¹
2	4 500 min ⁻¹
3	6 000 min ⁻¹
4	7 500 min ⁻¹
5	8 500 min ⁻¹

PASTABA: Jeigu prietaisu ilgą laiką be pertraukos dirbama nedideliu greičiu, variklis bus perkrautas ir prietaisas suges.

PASTABA: Keisdami greitį nuo „5“ iki „1“, sukite ratuką prieš laikrodžio rodyklę. Nesukite rankenėlės pagal laikrodžio rodyklę per jėgą.

Apsaugos nuo netyčinio įjungimo funkcija

Jei dedant akumulatoriaus kasetę bus spaudžiamas svirtinis jungiklis, įrankis nepasileis.
Norėdami įjungti įrankį, pirmiausia atleiskite svirtinį jungiklį. Paskui patraukite atlaisvinimo svirtelę, o tada patraukite svirtinį jungiklį.

Elektroninės sukimo momento kontrolės funkcija

Įrankio elektroniniai įtaisai aptinka situacijas, kuriose diskas arba priedas gali užstrigti. Tokie situacijose įrankis automatiškai išsijungia, kad velenas nebūtų toliau sukamas (ši funkcija neapsaugo nuo atatrakos).
Norėdami iš naujo įjungti įrankį, pirmiausia išjunkite jį, pašalinkite staigaus užstrigimo priežastį, tada vėl įjunkite įrankį.

Tolygaus įjungimo funkcija

Tolygus įjungimas slopina įjungimo reakciją.

Elektrinis stabdys

Taikoma tik modeliui GA027G / GA028G / GA029G

Elektrinis stabdys suaktyvinamas išjungus įrankį. Stabdys neveikia atjungus maitinimą, pvz., atsitiktinai ištraukus akumuliatorių, tačiau neišjungus jungiklio.

SURINKIMAS

⚠️ PERSPĖJIMAS: Prieš pradėdami reguliuoti arba tikrinti įrankio veikimą, visuomet būtinai išjunkite įrankį ir išimkite akumulatoriaus kasetę.

Šoninės rankenos montavimas

⚠️ PERSPĖJIMAS: Prieš naudodami visuomet įsitikinkite, ar šoninė rankena yra patikimai uždėta.

Prisukite šoninę rankeną patikimai jos vietoje, kaip parodyta paveikslėlyje.

► **Pav.6**

Disko saugiklio uždėjimas ar nuėmimas

⚠️ JSPĖJIMAS: Kai naudojate diską su įgaubtu centru, poliravimo diską, lankstųjį diską arba vielinį disko formos šepetėlį, apsauginis disko gaubtas turi būti uždėtas ant įrankio taip, kad uždaras apsauginio gaubto šonas visuomet būtų atsuktas į operatorių.

⚠️ JSPĖJIMAS: Įsitikinkite, kad disko saugiklis yra tvirtai užfiksuotas fiksavimo svirtelė vienoje iš disko saugiklio skylių.

⚠️ JSPĖJIMAS: Naudodami šlifuojamąjį pjovimo / deimantinį diską, būtinai naudokite tik specialų apsauginį gaubtą, skirtą naudoti su pjovimo diskais.

(Tam tikrose Europos šalyse naudojant deimantinį diską, galima naudoti įprastą apsauginį gaubtą. Vadovaukitės jūsų šalyje galiojančiomis taisyklėmis.)

Nuspaustam centriniam diskui, poliravimo diskui, lanksčiajam diskui, vieliniam disko formos šepetėliui / šlifuojamajam nupjovimo diskui, deimantiniam diskui

1. Spausdami fiksavimo svirtelę, uždėkite disko saugiklį, išsikišimus sutapindami su ant jo esančiomis įrantomis ties guolių dėže.

► **Pav.7:** 1. Fiksavimo svirtelė 2. Įranta 3. Iškyša

2. Stumdami fiksavimo svirtelę link dalies A, išpauskite disko saugiklį, laikydami dalis B, kaip parodyta paveikslėlyje.

► **Pav.8:** 1. Disko saugiklis 2. Anga

PASTABA: Spauskite disko saugiklį tiesiai žemyn. Priešingu atveju negalėsite visiškai paspausti disko saugiklio.

3. Laikydami užrakto svirtelę ir disko saugiklį padėtyje, apibūdintoje 2 veiksmo, sukite disko saugiklį link dalies C, tada priklausomai nuo užduoties pakeiskite disko saugiklio kampą.

► **Pav.9:** 1. Disko saugiklis 2. Anga

PASTABA: Iki galo paspauskite disko saugiklį. Priešingu atveju negalėsite pasukti disko saugiklio.

Jei norite išimti disko saugiklį, atlikite montavimo procedūrą atvirkščia tvarka.

Disko su įgaubtu centru arba poliravimo disko uždėjimas ir nuėmimas

Pasirenkamas priedas

▲ISPĖJIMAS: Kai naudojate diską su įgaubtu centru arba poliravimo diską, apsauginis disko gaubtas turi būti uždėtas ant įrankio taip, kad uždaras apsauginio gaubto šonas visuomet būtų atsuktas į operatorių.

▲PERSPĖJIMAS: Įsitikinkite, ar vidinės jungės tvirtinimo dalis puikiai telpa į disko su įgaubtu centru / poliravimo disko vidinį skersmenį. Sumontavus vidinę jungę netinkamoje pusėje, gali kilti pavojinga vibracija.

Uždėkite vidinę jungę ant veleno.

Vidinės jungės įranyta dalis būtinai turi būti uždėta ant tiesios dalies ties veleno apačia.

Uždėkite diską su įgaubtu centru / poliravimo diską ant vidinės jungės ir užsukite ant veleno antveržlę.

► **Pav.10:** 1. Fiksavimo veržlė 2. Nuspaustas centrinis diskas 3. Vidinė jungė 4. Tvirtinimo dalis

Jei norite priveržti fiksavimo galvutę, stipriai paspauskite ašies fiksatorių taip, kad velenas negalėtų sukis, tada pasinaudokite fiksavimo galvutės raktu ir patikimai priveržkite pagal laikrodžio rodyklę.

► **Pav.11:** 1. Fiksavimo galvutės raktas 2. Ašies fiksatorius

Jei norite nuimti diską, laikykitės uždėjimo procedūros atvirkščia tvarka.

Lankščiojo disko uždėjimas ir nuėmimas

Pasirenkamas priedas

▲ISPĖJIMAS: Visada naudokite pateiktą apsauginį gaubtą, kai ant įrankio uždėtas lankstusis diskas. Naudojimo metu diskas gali subyrėti, o apsauginis gaubtas sumažina galimybę susižeisti.

► **Pav.12:** 1. Fiksavimo veržlė 2. Lankstusis diskas 3. Atraminis pagrindas 4. Vidinė jungė

Vadovaukitės diskui su įgaubtu centru taikomais nurodymais, bet ant disko taip pat uždėkite atraminį pagrindą. Žr. uždėjimo eilės tvarką, aprašytą šio vadovo priedų puslapyje.

Šlifavimo disko uždėjimas ir nuėmimas

Pasirenkamas priedas

PASTABA: Naudokite šiame vadove išvardintus papildomus šlifavimo priedus. Juos reikia įsigyti atskirai.

Naudojant 100 mm modelį

► **Pav.13:** 1. Šlifavimo priedo fiksuojamoji veržlė 2. Šlifavimo diskas 3. Guminis pagrindas 4. Vidinė jungė

1. Uždėkite vidinę jungę ant veleno.
2. Uždėkite ant ašies guminį pagrindą.
3. Uždėkite diską ant guminio pagrindo ir užsukite antveržlę ant veleno.
4. Laikykite veleną su ašies fiksatoriumi ir fiksuojamosios veržlės veržliarakčiu pagal laikrodžio rodyklę gerai priveržkite šlifavimo priedo fiksuojamąją veržlę.

Jei norite nuimti diską, laikykitės uždėjimo procedūros atvirkščia tvarka.

115 mm / 125 mm modeliui

► **Pav.14:** 1. Šlifavimo priedo fiksuojamoji veržlė 2. Šlifavimo diskas 3. Guminis pagrindas

1. Uždėkite ant ašies guminį pagrindą.
2. Uždėkite diską ant guminio pagrindo ir užsukite antveržlę ant veleno.
3. Laikykite veleną su ašies fiksatoriumi ir fiksuojamosios veržlės veržliarakčiu pagal laikrodžio rodyklę gerai priveržkite šlifavimo priedo fiksuojamąją veržlę.

Jei norite nuimti diską, laikykitės uždėjimo procedūros atvirkščia tvarka.

„Ezynut“ įdėjimas ir išėmimas

Pasirenkamas priedas

▲PERSPĖJIMAS: Nenaudokite veržlės „Ezynut“ su papildoma jungė arba kampiniu šlifuoekliu, kurio modelio numerio gale yra raidė „F“. Šios jungės yra tokios storos, kad jų neįmanoma iki galo užsriegti ant veleno.

► **Pav.15:** 1. Veržlė „Ezynut“ 2. Abrazyvinis diskas 3. Vidinis kraštas 4. Velenas

Uždėkite vidinę jungę, šlifavimo diską ir veržlę „Ezynut“ ant veleno taip, kad ant „Ezynut“ esantis logotipas „Makita“ būtų nukreiptas išorėn.

► **Pav.16:** 1. Ašies fiksatorius

Tvirtai įspauskite veleno fiksatorių ir priveržkite veržlę „Ezynut“, sukdami abrazyvinį diską pagal laikrodžio rodyklę tiek, kiek jis suksis.

Norėdami atlaisvinti, sukite išorinį įtaisą „Ezynut“ žiedą prieš laikrodžio rodyklę.

► **Pav.17:** 1. Rodyklė 2. Įdubimas

► **Pav.18**

PASTABA: Jeigu tik rodyklė nukreipta įranytos link, įtaisą „Ezynut“ galima atsukti rankomis. Kitais atvejais, norint jį atsukti, reikia veržliarakčio. Įkiškite vieną veržliarakčio smaigą į angą ir sukite įtaisą „Ezynut“ prieš laikrodžio rodyklę.

Šlifujamojo pjovimo disko / deimantinio disko montavimas

Pasirenkamas priedas

▲JSPĖJIMAS: Naudodami šlifujamąjį pjovimo / deimantinį diską, būtinai naudokite tik specialų apsauginį gaubtą, skirtą naudoti su pjovimo diskais.

(Tam tikrose Europos šalyse naudojant deimantinį diską, galima naudoti įprastą apsauginį gaubtą. Vadovaukitės jūsų šalyje galiojančiomis taisyklėmis.)

▲JSPĖJIMAS: NIEKADA nenaudokite pjovimo disko šonams šlifuoti.

- **Pav.19:** 1. Fiksavimo veržlė 2. Šlifujamasis pjovimo diskas / deimantinis diskas 3. Vidinė jungė 4. Apsauginis gaubtas šlifujamajam pjovimo diskui / deimantiniam diskui

Norėdami sumontuoti diską su įgaubtu centru, vykdykite jam skirtas instrukcijas.

Antveržlės ir vidinės jungės montavimo kryptis priklauso nuo disko tipo ir storio.

Žr. šiuos paveikslėlius.

Naudojant 100 mm modelį

Montuojant šlifujamąjį pjovimo diską:

- **Pav.20:** 1. Fiksavimo veržlė 2. Šlifujamasis pjovimo diskas (plonesnis nei 4 mm) 3. Šlifujamasis pjovimo diskas (4 mm ar storesnis) 4. Vidinė jungė

Montuojant deimantinį diską:

- **Pav.21:** 1. Fiksavimo veržlė 2. Deimantinis diskas (plonesnis nei 4 mm) 3. Deimantinis diskas (4 mm ar storesnis) 4. Vidinė jungė

115 mm / 125 mm modeliu

Montuojant šlifujamąjį pjovimo diską:

- **Pav.22:** 1. Fiksavimo veržlė 2. Šlifujamasis pjovimo diskas (plonesnis nei 4 mm) 3. Šlifujamasis pjovimo diskas (4 mm ar storesnis) 4. Vidinė jungė

Montuojant deimantinį diską:

- **Pav.23:** 1. Fiksavimo veržlė 2. Deimantinis diskas (plonesnis nei 4 mm) 3. Deimantinis diskas (4 mm ar storesnis) 4. Vidinė jungė

Vielinio šepetėlio sumontavimas

Pasirenkamas priedas

▲PERSPĖJIMAS: Nenaudokite apgadinto arba išbalansuoto šepetėlio. Naudojant apgadintą šepetėlį, prisilietus prie aplūžusių šepetėlio vielių, galima susižeisti.

- **Pav.24:** 1. Vielinis šepetėlis

Išimkite keičiamąjį akumuliatorių iš įrankio ir padėkite įrankį apverstą, kad galėtumėte lengvai pasiekti veleną. Nuimkite nuo veleno visus priedus. Užsukite ant veleno vielinį taurelės formos šepetėlį ir priveržkite jį pateiktuju veržliarakčiu.

Vielinio disko formos šepetėlio sumontavimas

Pasirenkamas priedas

▲PERSPĖJIMAS: Nenaudokite apgadinto arba išbalansuoto vielinio, disko formos šepetėlio. Naudojant apgadintą vielinį, disko formos šepetėlį, prisilietus prie aplūžusių šepetėlio vielių, galima susižeisti.

▲PERSPĖJIMAS: Naudodami vielinius, disko formos šepetėlius, VISADA naudokite apsauginį gaubtą, kuriame tilptų atitinkamo skersmens diskas. Naudojimo metu diskas gali sulybėti, o apsauginis gaubtas sumažina galimybę susižeisti.

- **Pav.25:** 1. Vielinis disko formos šepetėlis

Išimkite keičiamąjį akumuliatorių iš įrankio ir padėkite įrankį apverstą, kad galėtumėte lengvai pasiekti veleną. Nuimkite nuo veleno visus priedus. Užsukite vielinį disko formos šepetėlį ant veleno ir priveržkite veržliarakčiais.

Dulkių siurblio prijungimas

Pasirenkamas priedas

▲JSPĖJIMAS: Niekada nesiurbkite metalo dalelių, susidariusių šlifuojant / pjaunant / šlifuojant šlifavimo popieriumi. Atliekant tokį darbą susidariusios metalo dalelės yra tiek įkaitusios, kad gali uždegti dulkes ir vakuuminio valymo įrenginyje esantį filtrą.

Norėdami išvengti dulkių aplinkos, kuri susidaro pjaunant mūrą, naudokite dulkes renkančio disko saugiklį ir vakuuminį valymo įrenginį.

Informacijos, kaip surinkti ir naudoti dulkes renkančio disko saugiklį, ieškokite prie jo pridėtoje naudojimo instrukcijoje.

- **Pav.26:** 1. Dulkes renkantis disko saugiklis
2. Vakuuminio valymo įrenginio žarna

NAUDOJIMAS

▲JSPĖJIMAS: Dirbant įrankiu niekada nereikėtų naudoti jėgos. Įrankio svoris sukels pakankamą spaudimą. Jėgos naudojimas ir per didelis spaudimas kelia disko lūžimo pavojų.

▲JSPĖJIMAS: VISUOMET pakeiskite diską, jei įrankis iškrito šlifavimo metu.

▲JSPĖJIMAS: NIEKADA nedaužykite šlifavimo disko į ruošinį.

▲JSPĖJIMAS: Venkite disko atšokimų ir užkliuvimų, ypač kai apdorojate kampus, aštrius kraštus ir pan. Dėl to galima nesuvaldyti įrankio ir jis gali atšokti.

▲JSPĖJIMAS: NIEKADA nenaudokite įrankio su medžio pjovimo ašmenimis ir kitomis pjūklų geležtėmis. Tokius ašmenis naudojant su šlifuotuvu dažnai įvyksta atatranka, dėl kurios įrankis tampa nevaldomas ir gali sužeisti žmogų.

▲PERSPĖJIMAS: NIEKADA nejunkite įrankio, kai jis liečiasi su ruošiniu, kadangi galite susižeisti.

▲PERSPĖJIMAS: Dirbdami visuomet dėvėkite apsauginius akinius arba veido skydelį.

▲PERSPĖJIMAS: Panaudoję įrankį visuomet jį išjunkite ir prieš padėdami įrankį palaukite, kol diskas visiškai sustos.

▲PERSPĖJIMAS: VISUOMET laikykite įrankį tvirtai, vieną ranką uždėję ant korpuso, o kitą – ant šoninės rankenos.

Šlifavimas ir šlifavimas švitriniumi popieriumi

► Pav.27

Ijunkite įrankį ir tada diskui apdirbkite ruošinį. Laikykite disko kraštą pakreiptą apie 15° laipsnių kampą į ruošinio paviršių.

Naujo disko apšilimo laikotarpiu nedirbkite šlifukuoliu pakreipimo į priekį kryptimi, kadangi jis gali įpjauti ruošinį. Kai disko kraštas naudojant suapvalėja, diskui galima dirbti kryptimis į priekį ir atgal.

Šlifuojamojo pjovimo disko / deimantinio disko naudojimas

Pasirenkamas priedas

▲JSPĖJIMAS: Nespauskite disko ir nenaudokite pernelyg didelio slėgio. Nemėginkite atlikti pernelyg gilių pjūvių. Pernelyg spaudžiant diską, padidėja apkrova ir tikimybė, kad diskas persikreips arba įstrigs pjūvyje; taip pat atsiranda atatrunkos, disko lūžimo ir variklio perkaitimo galimybė.

▲JSPĖJIMAS: Nepradėkite pjauti atrėmę diską į ruošinį. Palaukite, kol diskas ims sukstis visu greičiu, ir atsargiai nuleiskite jį į pjūvį, stumdami įrankį pirmyn ruošinio paviršiumi. Jeigu elektrinį įrankį paleisite ruošinyje, diskas gali įstrigti, pasislinkti arba atsokti.

▲JSPĖJIMAS: Pjaudami niekada nekeiskite disko kampo. Spaudžiant pjovimo diską iš šono (pvz., šlifuojant), diskas gali įtrūkti ar sulūžti, sukeldamas pavojų susižeisti.

▲JSPĖJIMAS: Deimantinį diską reikia naudoti tik nukreipus jį statmenai pjaunamai medžiagai.

Naudojimo pavyzdys: darbas šlifuojamuoju nupjovimo disku

► Pav.28

Naudojimo pavyzdys: darbas deimantiniu disku

► Pav.29

Vielinio, taurelės formos šepetėlio naudojimas

Pasirenkamas priedas

▲PERSPĖJIMAS: Patikrinkite, kaip veikia šepetėlis, paleidę įrankį veikti be apkrovų ir įsitikinę, kad niekas nestovi priešais arba vienoje linijoje su šepetėliu.

PASTABA: Nespauskite pernelyg stipriai, kadangi naudojant vielinį šepetėlį gali sulinkti šereliai. Šepetėlis gali sulūžti pirma laiko.

Naudojimo pavyzdys: vielinio šepetėlio naudojimas
► Pav.30

Vielinio, disko formos šepetėlio naudojimas

Pasirenkamas priedas

▲PERSPĖJIMAS: Patikrinkite, kaip veikia vielinis, disko formos šepetėlis, paleidę įrankį veikti be apkrovų ir įsitikinę, kad niekas nestovi priešais arba vienoje linijoje su vieliniu, disko formos šepetėliu.

PASTABA: Nespauskite pernelyg stipriai, kadangi naudojant vielinį disko formos šepetėlį gali sulinkti šereliai. Šepetėlis gali sulūžti pirma laiko.

Naudojimo pavyzdys: darbas vieliniu disko formos šepetėliu

► Pav.31

BELAIŽIO AKTYVINIMO FUNKCIJA

Ką galima padaryti su belaidžio aktyvinimo funkcija?

Belaidžio aktyvinimo funkcija leidžia dirbti švariai ir patogiai. Pridėta vakuuminį valymo įrenginį prijungę prie įrankio, galite automatiškai jį paleisti įjungdami įrankį.
► Pav.32

Norėdami naudoti belaidžio aktyvinimo funkciją, pasi-
rūškite šiuos daiktus:

- belaidį bloką (papildomas priedas);
- vakuuminį valymo įrenginį, kuris palaiko belaidžio aktyvinimo funkciją.

Toliau pateikiama belaidžio aktyvinimo funkcijos nustatymo apžvalga. Kiekvienoje dalyje rasite detalias procedūras.

1. Belaidžio bloko įdėjimas
2. Įrankio nustatymas vakuuminiam valymo įrenginyje
3. Belaidžio aktyvinimo funkcijos paleidimas

Belaidžio bloko įdėjimas

Pasirenkamas priedas

▲ PERSPĖJIMAS: Įdėdami belaidį bloką, padėkite įrankį ant stabilaus plokščio paviršiaus.

PASTABA: Prieš įdėdami belaidį bloką, nuo įrankio nuvalykite dulkes ir purvą. Patekusius į belaidžio bloko angą, dulkęs arba purvas gali sukelti gedimą.

PASTABA: Norėdami išvengti gedimo, kurį gali sukelti statinis elektros krūvis, prieš paimdami belaidį bloką palieskite medžiagą, per kurią išeina statinis elektros krūvis, pavyzdžiui, metalinę įrankio dalį.

PASTABA: Įdėdami belaidį bloką, visada įsitikinkite, kad dedate reikiama kryptimi ir kad dangtelis iki galo uždarytas.

1. Atidarykite įrankio dangtelį, kaip parodyta paveikslėlyje.
► **Pav.33:** 1. Dangtelis

2. Įdėkite belaidį bloką į angą ir uždarykite dangtelį. Įdėdami belaidį bloką, iškyšas sulgyjuokite su angos išėmomis.
► **Pav.34:** 1. Belaidis blokas 2. Iškyša 3. Dangtelis 4. Išėma

Norėdami išimti belaidį bloką, lėtai atidarykite dangtelį. Traukiant dangtelį, jo galinėje pusėje esantys kabliukai iškels belaidį bloką.
► **Pav.35:** 1. Belaidis blokas 2. Kabliukas 3. Dangtelis

Išėmę belaidį bloką laikykite pridėtame dėkle arba nuo statinio krūvio apsaugotoje taroje.

PASTABA: Išimdami belaidį bloką visada naudokite galinėje dangtelio pusėje esančius kabliukais. Jei kabliukai nepagauna belaidžio bloko, iki galo uždarykite dangtelį ir vėl lėtai jį atidarykite.

Įrankio nustatymas vakuuiniame valymo įrenginyje

PASTABA: Įrankiui nustatyti reikalingas „Makita“ vakuuminis valymo įrenginys, palaikantis belaidžio aktyvinimo funkciją.

PASTABA: Prieš pradėdami nustatyti įrankį, įdėkite jį į belaidį bloką.

PASTABA: Nustatydami įrankį, netraukite gaiduko ir neįjunkite vakuuminio valymo įrenginio maitinimo.

PASTABA: Taip pat žr. vakuuminio valymo įrenginio naudojimo instrukciją.

Jei norite aktyvinti vakuuminį valymo įrenginį įrankio jungikliu, prieš tai nustatykite įrankį.

1. Įdėkite akumulatorius į vakuuminį valymo įrenginį ir įrankį.
2. Vakuuminio valymo įrenginio parengties jungiklį nustatykite ties „AUTO“.
► **Pav.36:** 1. Parengties jungiklis
3. 3 sekundes spauskite belaidžio aktyvinimo mygtuką ant vakuuminio valymo įrenginio, kol belaidžio aktyvinimo lemputė ims mirksėti žaliai. Tada tokiu pat būdu paspauskite belaidžio aktyvinimo mygtuką ant įrankio.
► **Pav.37:** 1. Belaidžio aktyvinimo mygtukas
2. Belaidžio aktyvinimo lemputė

Jei vakuuminis valymo įrenginys ir įrankis sėkmingai susieti, belaidžio aktyvinimo lemputės 2 sekundes švies žaliai ir ims mirksėti mėlynai.

PASTABA: Belaidžio aktyvinimo lemputės nustoja mirksėti žaliai po 20 sekundžių. Kai mirksi valymo įrenginio belaidžio aktyvinimo lemputė, paspauskite belaidžio aktyvinimo mygtuką ant įrankio. Jei belaidžio aktyvinimo lemputė nemirksi žaliai, trumpai paspauskite belaidžio aktyvinimo mygtuką ir vėl palaikykite jį nuspaudę.

PASTABA: Jei norite nustatyti du ar daugiau įrankių viename vakuuiniame valymo įrenginyje, nustatykite juos po vieną.

Belaidžio aktyvinimo funkcijos paleidimas

PASTABA: Prieš belaidį aktyvinimą nustatykite įrankį vakuuiniame valymo įrenginyje.

PASTABA: Taip pat žr. vakuuminio valymo įrenginio naudojimo instrukciją.

Nustačius įrankį vakuuiniame valymo įrenginyje, jis automatiškai įsijungs įjungus įrankį.

1. Įdėkite belaidį bloką į įrankį.

2. Sujunkite vakuuminio valymo įrenginio žarną su įrankiu.

► **Pav.38**

3. Vakuuminio valymo įrenginio parengties jungiklį nustatykite ties „AUTO“.

► **Pav.39:** 1. Parengties jungiklis

4. Trumpai paspauskite belaidžio aktyvinimo mygtuką ant įrankio. Belaidžio aktyvinimo lemputė mirksės mėlynai.

► **Pav.40:** 1. Belaidžio aktyvinimo mygtukas
2. Belaidžio aktyvinimo lemputė

5. Patraukite įrankio gaiduką. Patikrinkite, ar patraukus gaiduką vakuuminis valymo įrenginys veikia.

Norėdami sustabdyti belaidį vakuuminio valymo įrenginio aktyvinimą, paspauskite belaidžio aktyvinimo mygtuką ant įrankio.

PASTABA: Nenaudojant 2 valandas, belaidžio aktyvinimo lemputė ant įrankio nustos mirksėti mėlynai. Šiuo atveju parengties jungiklį ant vakuuminio valymo įrenginio nustatykite ties „AUTO“ ir vėl paspauskite belaidžio aktyvinimo mygtuką ant įrankio.

PASTABA: Vakuuminis valymo įrenginys ima veikti ir sustoja šiek tiek uždelęs. Praeina šiek tiek laiko, kol vakuuminis valymo įrenginys nustato, kad buvo panaudotas įrankio jungiklis.

PASTABA: Belaidžio bloko perdavimo atstumas gali skirtis priklausomai nuo vietos ir aplinkybių.

PASTABA: Kai viename vakuuiniame valymo įrenginyje yra nustatyti du ar daugiau įrankių, vakuuminis valymo įrenginys gali imti veikti net jei nepatraukėte gaiduko, nes kitas naudotojas naudoja belaidžio aktyvinimo funkciją.

Belaidžio aktyvinimo lemputės būsenos aprašymas

► Pav.41: 1. Belaidžio aktyvinimo lemputė

Belaidžio aktyvinimo lemputė rodo belaidžio aktyvinimo funkcijos būseną. Lemputės būsenos reikšmės pateiktos tolesnėje lentelėje.

Būsena	Belaidžio aktyvinimo lemputė				Aprašymas
	Spalva	<input type="checkbox"/> Šviečia	<input type="checkbox"/> Mirksi	Trukmė	
Parengtis	Mėlyna	<input checked="" type="checkbox"/>		2 valandos	Galimas belaidis vakuuminio valymo įrenginio aktyvinimas. Nenaudojant 2 valandas lemputė automatiškai užges.
		<input type="checkbox"/>		Kai įrankis yra naudojamas.	Galimas belaidis vakuuminio valymo įrenginio aktyvinimas ir įrankis yra naudojamas.
Įrankio nustatymas	Žalia	<input checked="" type="checkbox"/>		20 sekundžių	Pasirengęs nustatyti įrankį. Laukiama, kol įrankis bus nustatytas vakuuiniame valymo įrenginyje.
		<input type="checkbox"/>		2 sekundės	Įrankis nustatytas. Belaidžio aktyvinimo lemputė ims mirksėti mėlynai.
Įrankio nustatymo atšaukimas	Raudona	<input checked="" type="checkbox"/>		20 sekundžių	Pasiruošęs atšaukti įrankio nustatymą. Laukiama, kol įrankio nustatymas bus atšauktas vakuuiniame valymo įrenginyje.
		<input type="checkbox"/>		2 sekundės	Įrankio nustatymas atšauktas. Belaidžio aktyvinimo lemputė ims mirksėti mėlynai.
Kita	Raudona	<input type="checkbox"/>		3 sekundės	Belaidis blokas yra maitinamas ir ima veikti belaidžio aktyvinimo funkcija.
	Nešviečia	-		-	Belaidis vakuuminio valymo įrenginio aktyvinimas sustabdytas.

Įrankio nustatymo vakuuiniame valymo įrenginyje atšaukimas

Norėdami atšaukti įrankio nustatymą vakuuiniame valymo įrenginyje, atlikite šią procedūrą.

- Įdėkite akumuliatorius į vakuuminį valymo įrenginį ir įrankį.
 - Vakuuminio valymo įrenginio parengties jungiklį nustatykite ties „AUTO“.
- Pav.42: 1. Parengties jungiklis
- 6 sekundes spauskite belaidžio aktyvinimo mygtuką ant vakuuminio valymo įrenginio. Belaidžio aktyvinimo lemputė mirksi žaliai ir tampa raudona. Paskui tokiu pat būdu paspauskite belaidžio aktyvinimo mygtuką ant įrankio.
- Pav.43: 1. Belaidžio aktyvinimo mygtukas
2. Belaidžio aktyvinimo lemputė

Jei atšaukti pavyko, belaidžio aktyvinimo lemputės 2 sekundes švies raudonai ir ims mirksėti mėlynai.

PASTABA: Belaidžio aktyvinimo lemputės nustoja mirksėti raudonai po 20 sekundžių. Kai mirksi valymo įrenginio belaidžio aktyvinimo lemputė, paspauskite belaidžio aktyvinimo mygtuką ant įrankio. Jei belaidžio aktyvinimo lemputė nemirksi raudonai, trumpai paspauskite belaidžio aktyvinimo mygtuką ir vėl palaikykite jį nuspaudę.

Belaidžio aktyvinimo funkcijos trikčių šalinimas

Prieš kreipiamiesi dėl remonto darbų, pirmiausia patikrinkite gedimus patys. Kilus problemų, apie kurias nepaaiškinta vartotojo vadove, nemėginkite ardyti įrankio. Kreipkitės į įgaliotuosius „Makita“ techninės priežiūros centrus, kuriuose remontui visuomet naudojamos originalios „Makita“ keičiamosios dalys.

Neįprasta būklė	Tikėtina priežastis (triktis)	Ištaisomoji priemonė
Belaidžio aktyvinimo lemputė nešviečia arba nemirksi.	Belaidis blokas neįdėtas į įrankį. Belaidis blokas netinkamai įdėtas į įrankį.	Taisyklingai įdėkite belaidį bloką.
	Belaidžio bloko kontaktas ir (arba) anga yra purvini.	Švelniai nuvalykite dulkes ir purvą nuo belaidžio bloko kontakto ir išvalykite angą.
	Belaidžio aktyvinimo mygtukas ant įrankio nebuvo paspaustas.	Trumpai paspauskite belaidžio aktyvinimo mygtuką ant įrankio.
	Vakuuminio valymo įrenginio parengties jungiklis nenustatytas ties „AUTO“.	Vakuuminio valymo įrenginio parengties jungiklį nustatykite ties „AUTO“.
	Nėra maitinimo	Prijunkite įrankio ir vakuuminio valymo įrenginio maitinimą.
Nepavyksta nustatyti įrankio / atšaukti jo nustatymo.	Belaidis blokas neįdėtas į įrankį. Belaidis blokas netinkamai įdėtas į įrankį.	Taisyklingai įdėkite belaidį bloką.
	Belaidžio bloko kontaktas ir (arba) anga yra purvini.	Švelniai nuvalykite dulkes ir purvą nuo belaidžio bloko kontakto ir išvalykite angą.
	Vakuuminio valymo įrenginio parengties jungiklis nenustatytas ties „AUTO“.	Vakuuminio valymo įrenginio parengties jungiklį nustatykite ties „AUTO“.
	Nėra maitinimo	Prijunkite įrankio ir vakuuminio valymo įrenginio maitinimą.
	Netinkamai atliktą procedūrą	Trumpai paspauskite belaidžio aktyvinimo mygtuką ir iš naujo atlikite įrankio nustatymo / atšaukimo procedūras.
	Įrankis ir vakuuminis valymo įrenginys yra toli vienas nuo kito (už perdavimo diapazono ribų).	Padėkite įrankį ir vakuuminį valymo įrenginį arčiau vienas kito. Didžiausias perdavimo atstumas yra maždaug 10 m, bet jis gali skirtis pagal aplinkybes.
	Prieš nustatant / atšaukiant įrankį: - patraukiamas gaidukas ant įrankio arba - įjungiamas maitinimo mygtukas ant vakuuminio valymo įrenginio.	Trumpai paspauskite belaidžio aktyvinimo mygtuką ir iš naujo atlikite įrankio nustatymo / atšaukimo procedūras.
	Neatliktos įrankio nustatymo procedūros įrankyje arba vakuuminiame valymo įrenginyje.	Tuo pačiu metu atlikite įrankio nustatymo procedūras įrankyje ir vakuuminiame valymo įrenginyje.
	Kitų prietaisų, generuojančių didelio intensyvumo radijo bangas, keliama radijo bangų trikdžiai.	Patraukite įrankį ir vakuuminį valymo įrenginį toliau nuo tokių prietaisų kaip belaidžio ryšio įrenginiai ir mikrobangų krosnelės.
	Vakuuminis valymo įrenginys neveikia įjungus įrankio jungiklį.	Belaidis blokas neįdėtas į įrankį. Belaidis blokas netinkamai įdėtas į įrankį.
Belaidžio bloko kontaktas ir (arba) anga yra purvini.		Švelniai nuvalykite dulkes ir purvą nuo belaidžio bloko kontakto ir išvalykite angą.
Belaidžio aktyvinimo mygtukas ant įrankio nebuvo paspaustas.		Trumpai paspauskite belaidžio aktyvinimo mygtuką ir patikrinkite, ar belaidžio aktyvinimo lemputė mirksi mėlynai.
Vakuuminio valymo įrenginio parengties jungiklis nenustatytas ties „AUTO“.		Vakuuminio valymo įrenginio parengties jungiklį nustatykite ties „AUTO“.
Vakuuminiame valymo įrenginyje yra nustatyta daugiau kaip 10 įrankių.		Iš naujo nustatykite įrankį. Jei vakuuminiame valymo įrenginyje nustatyta daugiau kaip 10 įrankių, anksčiausiai nustatytas įrankis bus automatiškai atšauktas.
Vakuuminis valymo įrenginys ištrynė visus įrankių nustatymus.		Iš naujo nustatykite įrankį.
Nėra maitinimo		Prijunkite įrankio ir vakuuminio valymo įrenginio maitinimą.
Įrankis ir vakuuminis valymo įrenginys yra toli vienas nuo kito (už perdavimo diapazono ribų).		Padėkite įrankį ir vakuuminį valymo įrenginį arčiau vienas kito. Didžiausias perdavimo atstumas yra maždaug 10 m, bet jis gali skirtis pagal aplinkybes.
Kitų prietaisų, generuojančių didelio intensyvumo radijo bangas, keliama radijo bangų trikdžiai.		Patraukite įrankį ir vakuuminį valymo įrenginį toliau nuo tokių prietaisų kaip belaidžio ryšio įrenginiai ir mikrobangų krosnelės.
Vakuuminis valymo įrenginys veikia nepatraukus įrankio gaiduko.		Kiti naudotojai naudoja belaidį vakuuminio valymo įrenginio aktyvinimą su savo įrankiais.

TECHNINĖ PRIEŽIŪRA

▲PERSPĖJIMAS: Visuomet įsitikinkite, ar įrankis yra išjungtas ir akumuliatoriaus kasetė yra nuimta prieš atlikdami apžiūrą ir priežiūrą.

PASTABA: Niekada nenaudokite gazolino, benzino, tirpiklio, spirito arba panašių medžiagų. Gali atsirasti išblukimų, deformacijų arba įtrūkimų.

Kad gaminyt būtų SAUGUS ir PATIKIMAS, jį taisyti, apžiūrėti ar vykdyti bet kokią kitą priežiūrą ar derinimą turi įgaliotasis kompanijos „Makita“ techninės priežiūros centras; reikia naudoti tik kompanijos „Makita“ pagamintą atsarginę dalis.

Oro ventilacijos angų valymas

Priziūrėkite, kad įrankis ir jo oro angos būtų švarios. Reguliariai išvalykite įrankio oro angas arba tada, kai jos užsikemša.

► **Pav.44:** 1. Oro išleidimo anga 2. Oro įleidimo anga

Nuimkite gaubtelį nuo dulkių nuo oro įėjimo angos ir nuvalykite jį, kad oras galėtų laisvai cirkuluoti.

► **Pav.45:** 1. Gaubtelis nuo dulkių

PASTABA: Nuvalykite gaubtelį nuo dulkių, kai jis užsikemša dėl dulkių arba pašalinių medžiagų. Toliau naudojant įrankį, kai gaubtelis nuo dulkių užsikimšęs, įrankis gali sugesti.

PASIRENKAMI PRIEDAI

▲PERSPĖJIMAS: Šiuos papildomus priedus arba įtaisus rekomenduojama naudoti su šioje instrukcijoje nurodytu „Makita“ bendrovės įrankiu. Naudojant bet kokius kitus papildomus priedus arba įtaisus, gali kilti pavojus sužeisti žmones. Naudokite tik nurodytam tikslui skirtus papildomus priedus arba įtaisus.

Jeigu norite daugiau sužinoti apie tuos priedus, kreipkitės į artimiausią „Makita“ techninės priežiūros centrą.

• Originalus „Makita“ akumuliatorius ir įkroviklis

► **Pav.46**

-	100 mm modelis	115 mm modelis	125 mm modelis
1	Rankena 36		
2	Disko apsauga (šlifavimo diskui)		
3	Vidinė jungė		
4	Diskas su įgaubtu centru / poliravimo diskas		
5	Fiksavimo veržlė		
6	Atraminis pagrindas		
7	Lankstusis diskas		
8	Vidinė jungė ir guminis tarpiklis 76	Guminis padas 100	Guminis padas 115
9	Šlifavimo diskas		
10	Šlifavimo priedo fiksuojamoji veržlė		
11	Vielinis disko formos šepetėlis		
12	Vielinis šepetėlis		
13	Disko apsauga (pjovimo diskui) *1		
14	Šlifuojamasis pjovimo diskas / deimantinis diskas		
15	Dulkes renkantis disko saugiklis		
-	Fiksavimo galvutės raktas		

PASTABA: *1 Kai kuriose Europos šalyse, naudojant deimantinį diską, vietoj specialiosios apsaugos, dengiančios abi disko puses, galima naudoti įprastą apsaugą. Vadovaukitės jūsų šalyje galiojančiomis taisyklėmis.

PASTABA: Kai kurie sąraše esantys priedai gali būti pateikti įrankio pakuotėje kaip standartiniai priedai. Jie įvairiose šalyse gali skirtis.

TEHNILISED ANDMED

Mudel:	GA027G	GA028G	GA029G	GA030G	GA031G	GA032G
Ketta läbimõõt	100 mm (4")	115 mm (4-1/2")	125 mm (5")	100mm (4")	115 mm (4-1/2")	125 mm (5")
Max ketta paksus	6,4 mm	7,2 mm		6,4 mm	7,2 mm	
Võlli keere	M10	M14 või 5/8" (riigispetsiifiline)		M10	M14 või 5/8" (riigispetsiifiline)	
Nimikiirus (n)	8 500 min ⁻¹					
Üldpikkus	BL4025-ga		413 mm			
	BL4040-ga		425 mm			
Netokaal	2,9 – 3,4 kg	3,0 – 3,6 kg	3,0 – 4,5 kg	2,8 – 3,4 kg	2,9 – 3,6 kg	3,0 – 4,4 kg
Nimipinge	Alalisvool 36 V – 40 V max					

- Meie pideva uuringu- ja arendusprogrammi tõttu võidakse tehnilisi andmeid muuta ilma sellest ette teatamata.
- Tehnilised andmed võivad riigiti erineda.
- Kaal võib erineda olenevalt lisaseadistest, kaasa arvatud akukassetist. Kergeim ja raskeim kombinatsioon EPTA-protseduuri 01/2014 kohaselt on toodud tabelis.

Sobiv akukassett ja laadija

Akukassett	BL4025 / BL4040
Laadija	DC40RA

- Mõned eespool loetletud akukassetid ja -laadijad ei pruugi olla teie riigis saadaval.

⚠ HOIATUS: Kasutage ainult ülalpool loetletud akukasette ja laadureid. Muude akukassetide ja laadurite kasutamine võib tekitada vigastusi ja/või tulekahju.

Kavandatud kasutus

Tööriist on ette nähtud metallide ja kivimaterjali veeta käimiseks, lihvimiseks, traatharjamiseks ja lõikamiseks.

Müra

Tüüpiline A-korrigeeritud müratase, määratud standardi EN60745-2-3 kohaselt:

Mudel	Helirõhutase (L _{pa}): (dB(A))	Helivõimsuse tase (L _{wa}): (dB(A))	Määramatus (K): (dB(A))
GA027G	81	92	3
GA028G	81	92	3
GA029G	82	93	3
GA030G	81	92	3
GA031G	81	92	3
GA032G	82	93	3

MÄRKUS: Deklareeritud müra väärtust (väärtuseid) on mõõdetud kooskõlas standardse katsemeetodiga ning seda võib kasutada ühe seadme võrdlemiseks teisega.

MÄRKUS: Deklareeritud müra väärtust (väärtuseid) võib kasutada ka mürataseme esmaseks hindamiseks.

⚠️HOIATUS: Kasutage kõrvakaitsmeid.

⚠️HOIATUS: Müratase võib elektritööriista tegelikkuses kasutamise ajal erineda deklareeritud väärtus(t) est olenevalt tööriista kasutusviisidest ja eriti töödeldavast toorikust.

⚠️HOIATUS: Rakendage operaatori kaitsmiseks kindlasti piisavaid ohutusabinõusid, mis põhinevad hinnangulisel müratasemel tegelikus töösituatsioonis (võttes arvesse tööperioodi kõiki osasid, näiteks korrad, kui seade lülitatakse välja ja seade töötab tühikäigul, lisaks tööajale).

Vibratsioon

Vibratsiooni koguväärtus (kolmeteljeliste vektorite summa) määratud standardi EN60745-2-3 kohaselt:

Töörežiim: pinna lihvimine tavalise külgkäepideme kasutamisega

Mudel	Vibratsioonitase ($a_{H, AG}$): (m/s ²)	Määramatus (K): (m/s ²)
GA027G	4,5	1,5
GA028G	5,0	1,5
GA029G	6,0	1,5
GA030G	4,5	1,5
GA031G	5,0	1,5
GA032G	6,0	1,5

Töörežiim: pinna lihvimine vibratsioonikindla külgkäepideme kasutamisega

Mudel	Vibratsioonitase ($a_{H, AG}$): (m/s ²)	Määramatus (K): (m/s ²)
GA027G	4,5	1,5
GA028G	5,0	1,5
GA029G	6,5	1,5
GA030G	4,5	1,5
GA031G	5,0	1,5
GA032G	6,5	1,5

Töörežiim: ketaslihvimine tavalise külgkäepideme kasutamisega

Mudel	Vibratsioonitase ($a_{H, AG}$): (m/s ²)	Määramatus (K): (m/s ²)
GA027G	2,5 m/s ² või vähem	1,5
GA028G	2,5	1,5
GA029G	3,0	1,5
GA030G	2,5 m/s ² või vähem	1,5
GA031G	2,5	1,5
GA032G	3,0	1,5

Töörežiim: ketaslihvimine vibratsioonikindla külgkäepideme kasutamisega

Mudel	Vibratsioonitase ($a_{H, AG}$): (m/s ²)	Määramatus (K): (m/s ²)
GA027G	2,5 m/s ² või vähem	1,5
GA028G	2,5	1,5
GA029G	3,0	1,5
GA030G	2,5 m/s ² või vähem	1,5
GA031G	2,5	1,5
GA032G	3,0	1,5

MÄRKUS: Deklareeritud vibratsiooni koguväärtust (-väärtuseid) on mõõdetud kooskõlas standardse katsemeetodiga ning seda võib kasutada ühe seadme võrdlemiseks teisega.

MÄRKUS: Deklareeritud vibratsiooni koguväärtust (-väärtuseid) võib kasutada ka mürataseme esmaseks hindamiseks.

⚠️HOIATUS: Vibratsioonitase võib elektritööriista tegelikkuses kasutamise ajal erineda deklareeritud väärtus(t)est olenevalt tööriista kasutusviisidest ja eriti töödeldavast toorikust.

⚠️HOIATUS: Rakendage operaatori kaitsmiseks kindlasti piisavaid ohutusabinõusid, mis põhinevad hinnangulisel müratase mel tegelikus tööolukorras (võttes arvesse tööperioodi kõiki osasid, näiteks korrad, kui seade lülitatakse välja ja seade töötab tühikäigul, lisaks tööajale).

⚠️HOIATUS: Deklareeritud vibratsioonihetede väärtust kasutatakse elektritööriista peamisest otstarbest lähtudes. Kui tööriista kasutatakse muul otstarbel, võib vibratsioonihetede väärtus olla erinev.

EÜ vastavusdeklaratsioon

Ainult Euroopa riikide puhul

EÜ vastavusdeklaratsioon sisaldub käesoleva juhendi Lisas A.

OHUTUSHOIATUSED

Üldised elektritööriistade ohutusohiatused

⚠️HOIATUS: Lugege läbi kõik selle elektritööriistaga kaasas olevad ohutusohiatused, juhised, joonised ja tehnilised andmed. Järgnevate juhiste eiramine võib põhjustada elektrilöögi, süttimise ja/või raske kehavigastuse.

Hoidke edaspidisteks viideteks alles kõik hoiatused ja juhtnõid.

Hoiatuses kasutatud termini „elektritööriist“ all peetakse silmas elektriga töötavaid (juhtmega) elektritööriistu või akuga töötavaid (juhtmata) elektritööriistu.

Juhtmata lihvmasina ohutusnõuded

Turvahoiatused. Tavalised turvahoiatused lihvimiseks, poleerimiseks, terasharjamiseks või abrasiivseteks lõikeoperatsioonideks:

1. **See elektritööriist on mõeldud lihvimisseadme, poleerimisseadme, terasharja või lõiketööriistana kasutamiseks. Lugege kõiki elektritööriistaga kaasasolevaid ohutus- ja kasutusjuhendeid ning tutvuge illustratsioonide ja tehniliste andmetega. Kõigi juhendite täpne järgimine ennetab elektrilöögi-, tulekahju ja/või vigastusohu.**
2. **Selle elektritööriistaga ei soovitata poleerida.** Toimingud, milleks elektritööriist pole ette nähtud, võivad tekitada ohtlikku olukorra ja põhjustada kehavigastusi.
3. **Ärge kasutage tarvikuid, mida tootja ei ole selle tööriista jaoks spetsiaalselt välja töötanud.** Tarviku elektritööriistale kinnitamise võimalus ei taga veel selle ohutut tööd.
4. **Tarviku nimikiirus peab olema vähemalt võrdne elektritööriistale märgitud maksimaalse kiirusega.** Tarvikud, mis töötavad nimikiirusest suuremal kiirusel, võivad katki minna ja laiali lennata.
5. **Tarviku välisdiaameeter ja paksus peavad jääma Teie elektritööriista puhul ettenähtud parameetrite nimiametrite vahemikku.** Valede mõõtudega tarvikud ei ole tööriistas nõuetekohaselt kaitstud ega kontrolli all.

6. **Tarvikute keermeskinnitus peab vastama lihvmasina vööli keeme suurusele. Äärikutega kinnitavatavate tarvikute korral peab tarviku vööliava sobima ääriku fikseeriva läbimõõduga.** Tarvikud, mis ei sobitu elektritööriista paigaldusseadisele, kaotavad tasakaalu, hakkavad vibreerima ja võivad kaotada juhitavuse.
7. **Ärge kasutage vigast lisatarvikut. Enne iga kasutust kontrollige, et lihvketastel ei oleks laaste ega mõrasid, et tugiketastel ei oleks mõrasid, rebendeid ega liigset kulumust, et terasharjade harjased ei oleks lahtised ega purunenud.** Kui elektritööriist või lisatarvik kukub maha, kontrollige, et see ei oleks kahjustunud, või paigaldage uus lisatarvik. Pärast lisatarviku kontrolli ja paigaldust minge koos kõrvalseisjatega pöörlevast lisatarvikust eemale ja käituge elektritööriista maksimaalsel koormusvabal kiirusel üheks minutiks. Kahjustatud lisatarvikud lähevad tavaliselt selle testi ajal katki.
8. **Kandke isiklikku kaitsevarustust. Rakendusest olenevalt kandke näokaitset, kaitseprille või prille. Vajaduse korral kandke tolmumaski, kõvaklappe, kindaid ja põlle, mis suudab kaitsta väikeste abrasiivosakeste või töödeldava detaili kildude eest. Silmakaitsemid peavad kaitsma töö käigus tekkivate lenduvate osakeste eest. Tolmumask või respiraator peab kaitsma töö käigus tekkivate filtreeruvate osakeste eest. Alaline kokkupuude suure müraga võib põhjustada kuulmiskahjustuse.**
9. **Hoidke kõrvalseisjad tööalast turvalises kauguses. Kõik, kes sisenevad tööalasse, peavad kandma kaitsevarustust.** Töödeldava detaili või tarvikute osakesed võivad eemale lennata ja põhjustada vigastusi ka väljaspool vahetatud tööala.
10. **Hoidke elektritööriista ainult isoleeritud käepidemetest, kui töotate kohtades, kus lõiketera võib kokku puutuda peidetud juhtmega.** Kokkupuude voolu all oleva juhtmega võib pingestada ka elektritööriista katmata metallosad ning operaator võib saada elektrilöögi.
11. **Ärge pange elektritööriista kunagi maha enne, kui tarviku liikumine pole täielikult peatunud.** Pöörlev tarvik võib pinnal liikumist jätkata ja põhjustada elektritööriista väljumise teie kontrolli alt.
12. **Ärge käituge elektritööriista selle kandmise ajal.** Juhuslik kokkupuude pöörleva tarvikuga võib põhjustada riie kinnijäämist ja tarviku heasse tõmmata.
13. **Puhastage elektritööriista õhuavasid regulaarselt.** Mootori ventilator tõmbab tolmust korpusesse ja metallitõlm liigne kogunemine võib põhjustada elektriõhu.
14. **Ärge kasutage seadet tuleohtlike materjalide lähedal.** Need materjalid võivad sädemetest süttida.

15. **Ärge kasutage tarkvaid, mis nõuavad jahutusvedelikke.** Vee või teiste vedelate jahutusvahendite kasutamine võib põhjustada surmava elektrilöögi või -šoki.

Tagasilöökk ja vastavad hoiatused

Tagasilöökk on äkiline reaktsioon, kui pöörlev ketas, aluspadi, hari või mõni muu lisatarvik kiilib kinni või satub ootamatu takistuse otsa. Väändumine või pörkimine põhjustab kiiret pöörleva lisatarviku väärtamist, mis omakorda sunnib ühenduspunkti juhitamatult elektritööriista pöörlema vastassuunas lisatarviku pöörlemise suunale. Näiteks kui abrasiivne ketas kiilib töödeldavasse detaili kinni, võib kinnikiilumiskohta sisenevad löikeketta serv materjali pinda tungida, mille tagajärjel hüppab löikeketas välja või põhjustab tagasilöögi. Löikeketas võib hüpata kasutaja poole või kasutajast eemale olenevalt ketta liikumissuunast kinnikiilumiskohas. Lihvkettad võivad neis tingimustes samuti puruneda. Tagasilöökk tekib elektritööriista väärkasutamisel ja/või mittevastava tööprotseduuri või -tingimuste korral ning on vältitav, kui rakendate alljärgnevalt esitatud vastavaid ettevaatusabinõusid.

1. **Hoidke elektritööriistast tugevasti kinni ning seadke keha ja küünarnukid sellisesse asendisse, mis võimaldab tagasilöögile õigesti reageerida.** Kasutage alati abikäepidet, kui see on olemas, et tööriista käivitamisel tagasilöögi ja pöördmomendi vastumõju üle kontrolli saavutada. Asjakohaste ettevaatusabinõude rakendamisel saab operaator tagasilöögi ja pöördmomendi vastumõju kontrollida.
2. **Ärge kunagi asetage kätt pöörleva tarviku lähedale.** Te võite tarvikut tagasilöögi saada.
3. **Ärge viibige alas, kus elektritööriist võib tagasilöögi ajal liikuda.** Tagasilöökk paneb tööriista pörkekohas ketta liikumissuunale vastupidises suunas liikuma.
4. **Olge eriti ettevaatlik, kui töötlete nurki, teravaid servi jne.** Vältige tarviku pörkimist esemete vastu. Nurgad, teravad servad ja tagsipörkimine on tavaliselt nendeks turgeteks, mis võivad põhjustada pöörleva tarviku kinnijäämist, kontrolli kaotamist või tagasilööki.
5. **Ärge kunagi seadistage puulõikeketeraga saeketti või hammastega saetera.** Sellised terad tekitavad sageli tagasilööki ja juhitavuse kadu.

Spetsiaalsed turvahoitused lihvimiseks ja abrasiivseteks löikeoperatsioonideks:

1. **Kasutage vaid kettatüüpe, mida teie elektritööriistale soovitatakse, ja valitud kettale mõeldud spetsiaalset piiret.** Kettaid, mille jaoks elektritööriist ei olnud mõeldud, ei saa piisavalt kaitsta ja need ei ole turvalised.
2. **Õhema keskosaga lihvkettaste lihvpind peab jääma kaitsepiirde tasapinnast allapoole.** Kui ketas on valesti paigaldatud ja ulatub kaitsepiirde tasapinnast välja, ei ole võimalik seada piisavalt kaitsta.
3. **Kaitsepiire kinnitatakse tugevasti elektritööriista külge ja seadistatakse maksimaalset ohutust tagavasse asendisse nii, et löikeketas jääks kasutajast võimalikult kaugemale.** Piire aitab kaitajat kaitsta purunenud kettatükkide, kettaga juhusliku kokkupuutes sattumise ja rõivaid süüdata võivate sädemete eest.

4. **Kettaid tohib kasutada ainult sellisel otsarbel, milleks need on mõeldud.** Näiteks ärge kasutage löikeketta külge lihvimiseks. Abrasiivlöikekettad on ette nähtud äärepindade lihvimiseks, nendele ketastele rakendatavad külj jõud võivad ketta purustada.
5. **Kasutage ainult terveid kettaäärkuid, mis on valitud ketta jaoks sobiva suuruse ja kujuga.** Sobivad kettaäärkuid toestavad ketast, vähendades nii ketta purunemise ohtu. Löikeketaste äärkuid võivad lihvkettaste äärikutest erineda.
6. **Ärge kasutage suuremate elektritööriistade kununud kettaid.** Suurema elektritööriista jaoks tehtud ketas ei sobi väiksema tööriista suurema kiirusega ja võib katki minna.

Lisanduvad turvahoitused abrasiivseteks löikeoperatsioonideks:

1. **Ärge ummistage löikeketast ega rakendage liigset jõudu.** Ärge püüdke teha liiga sügavat lõiget. Ketta ülepingestamine suurendab ketta koormust ja vastuvõtlikkust väändumisele või kinnijäämisele lõikes ning tagasilöögi esinemise või ketta purunemise võimalust.
2. **Ärge seadke ennast ühele jonele pöörleva löikekettaga ega selle taha.** Kui ketas liigub käituse ajal teie kehast eemale, võib tõenäoline tagasilöökk põhjustada ketta liikumist teie suunas liigutada.
3. **Kui ketas kiilib kinni või lõikamine katkeb mingil põhjusel, lülitage elektritööriist välja ja hoidke tööriista liikumatult kuni ketta täieliku seiskumiseni.** Ärge kunagi püüdke eemaldada löikeketast lõikest, kui ketas liigub, sest võib esineda tagasilöökk. Selgitage välja ketta kinnijäämise põhjus ja rakendage asjakohast paranusmeetet põhjuse kõrvaldamiseks.
4. **Ärge käivitage lõikamist töödeldavas detailis.** Laske kettal saavutada täiskiiirus ja sisenege uuesti hoolikalt lõikesse. Kui elektritööriist taas käivitatakse töödeldavas detailis, võib ketas kinni jääda, ülespoole liikuda või põhjustada tagasilöögi.
5. **Vähendamaks ketta pitsumise ja tagasilöögi ohtu, toestage paneelid või ülemõõdulised töödeldavad detailid.** Suured detailid hakkavad painduma omaenese raskuse all. Toed tuleb paigutada töödeldava detaili alla löikejoone lähedale ja toorku serva lähedale ketta mõlemal küljel.
6. **Olge eriti ettevaatlik, kui teete „sukelduslõikamist“ olemasolevates seintes või muudes varjatud piirkondades.** Väljaulatuv lõiketera võib lõikuda gaasi- või veetorudesse, elektrijuhtmetesse või muudesse esemetesse ning põhjustada tagasilöögi.

Poleerimistööde turvahoitused:

1. **Ärge kasutage liiga suurte mõõtetega poleerketta paberit.** Lihvpaberi valikud järgige tootjate soovitusi. Lihvklotsist kaugemale ulatuv suurem lihvpaber on rebenemisohtlik ja võib põhjustada ketta kinnijäämist, purunemist või tagasilööki.

Terasharjamise operatsioonide turvahoitused:

1. **Arvestage sellega, et hari viskab traatharjaseid eemale ka tavakäituse ajal.** Ärge avaldage terasharjadele liigset pinget harjale liigse koormuse rakendamise eesmärgel. Terasharjased võivad lihtsalt kergesse rõivastusse ja/või nahka tungida.

2. Kui terasharjameel soovitate kasutada piiret, ärge laske teraskettal ega -harjal piirdega kokku puutuda. Terasketas või -hari võib töökoormuse ja tsentrifugaaljõu tõttu läbimõeldud laieneda.

Lisaturvahoitused:

1. Kui kasutate nõgusa keskosaga lihvkettaid, veenduge, et kasutate ainult klaaskiuga tugevdatud kettad.
2. **ÄRGE KUNAGI kasutage selle lihvijaga koos kausslihvkettaid.** Seda lihvijat ei kasutata koos nimetatud ketastega, sest need võivad põhjustada tõsise kehavigastuse.
3. **Ärge vigastage võlli, äärikut (eriti selle paigalduspinda) ega fiksaatormutrit.** Nende osade kahjustused võivad põhjustada ketta purunemise.
4. **Veenduge, et lihvketas ei puutuks enne tööriista sisselülitamist vastu töödeldavat detaili.**
5. Enne tööriista kasutamist tegelikus töökeskkonnas laske sellel mõni aeg koormuseta töötada. Jälgige vibratsiooni või vibamist, mis võib tähendada ebaõiget paigaldust või halvasti tasakaalustatud ketast.
6. Lihvige selleks ette nähtud kettapinna osaga.
7. **Ärge jätkke tööriista käima.** Käivitage tööriist ainult siis, kui hoiate seda käes.
8. **Ärge puutuge töödeldavat detaili vahetult pärast töötlemist;** see võib olla väga kuum ja põhjustada põletushaavu.
9. **Ärge puutuge tarvikuid vahetult pärast töötlemist;** need võivad olla väga kuumad ja põhjustada põletushaavu.
10. Ketta õigeks paigaldamiseks ja kasutamiseks järgige valmistaja juhendeid. Käsitsege ja ladustage kettaid hoolikalt.
11. **Ärge kasutage suureauguliste lihvketaste kinnitamiseks sobituspukse või adaptereid.**
12. Kasutage ainult äärikuid, mis on mõeldud kasutamiseks selle tööriistaga.
13. Tööriistade korral, kus kasutatakse keermestatud auguga kettaid, jälgige, et ketta keeme pikkus oleks piisav võllile kinnitamiseks.
14. **Kontrollige, kas töödeldav detail on korralikult kinnitatud.**
15. Pöörake tähelepanu asjaolule, et ketas jätkab pöörlemist ka pärast tööriista väljalülitamist.
16. Kui töökoht on äärmiselt kuum ja niiske või tugevalt saastatud elektrit juhtiva tolmu, siis tuleb operaatori ohutuse tagamiseks kasutada lühisvoolukaitset (30 mA).
17. **Ärge kasutage tööriista asbesti sisaldavate materjalide töötlemiseks.**
18. Kui tööate löikekettaga, siis kasutage alati tolmueemaldusega kettakaitset, mis vastab kohalikele eeskirjadele.
19. **Löikekettad ei tohi külgsuunas suruda.**
20. **Ärge kasutage töötamise ajal riidest töökindaid.** Riidest kinnaste kiud võivad sattuda tööriista sisse ja põhjustada tööriista purunemise.

HOIDKE JUHEND ALLES.

⚠️HOIATUS: ÄRGE UNUSTAGE järgida toote ohutusnõudeid mugavuse või toote (korduskasutamise saavutatud) hea tundmise tõttu. VALE KASUTUS või kasutusjuhendi ohutuseeskirjade eiramine võib põhjustada tervisekahjustusi.

Akukassetiga seotud olulised ohutusjuhised

1. Enne akukasseti kasutamist lugege (1) akulaadiljal, (2) akul ja (3) seadmel olevad juhtnöörid ja hoiatused läbi.
 2. **Ärge võtke akukassetti lahti ega muutke seda.** See võib põhjustada tulekahju, liigset kuumust või plahvatuse.
 3. Kui tööaeg järsult lüheneb, siis lõpetage kohe kasutamine. Edasise kasutamise tulemuseks võib olla ülekuumenemisoht, võimalikud põletused või isegi plahvatus.
 4. Kui elektrolüüti satub silma, siis loputage silma puhta veega ja pöörduge koheselt arsti poole. Selline õnnetus võib põhjustada pimedaksjäämist.
 5. **Ärge tekitage akukassetis lühist:**
 - (1) **Ärge puutuge klemme elektrijuhtidega.**
 - (2) **Ärge hoidke akukassetti tööriistakastis koos metallsemetega, nagu naelad, mündid jne.**
 - (3) **Ärge tehke akukassetti märjaks ega jätkke seda vilma kätte.**
- Aku lühis võib põhjustada tugevat elektrivoolu, ülekuumenemist, põletusi ning ka seadet tõsiselt kahjustada.
6. **Ärge hoidke ega kasutage tööriista ja akukassetti kohtades, kus temperatuur võib tõusta üle 50 °C (122 °F).**
 7. **Ärge põletage akukassetti isegi siis, kui see on saanud tõsiselt vigastada või on täiesti kuluunud.** Akukassett võib tules plahvatada.
 8. **Ärge naelutage, löigake, muljuge, visake akukassetti ega laske sel kukkuda, samuti ärge lööge selle pihta kõva esemega.** Selline tegevus võib põhjustada tulekahju, liigset kuumust või plahvatuse.
 9. **Ärge kasutage kahjustatud akut.**
 10. **Sisalduvatele liitium-ioonakudele võivad kohalduda ohtlike kaupade õigusaktide nõuded.**

Kaubanduslikul transportimisel, näiteks kolmanda poolte või transpordiettevõtete poolt, tuleb järgida pakendil ja siltidel toodud erinõudeid. Transportimiseks ettevalmistamisel on vajalik pidada nõu ohtliku materjali eksperdigaga. Samuti tuleb järgida võimalike riiklike regulatsioonide üksikasjalikumaid nõudeid.

Katke teibiga või varjake avatud kontaktid ja pakendage aku selliselt, et see ei saaks pakendis liukuda.
 11. **Kasutuskõlmatuks muutunud akukassetti kõrvaldamiseks eemaldage see tööriistast ja viige selleks ette nähtud kohta. Järgige kasutuskõlmatuks muutunud aku kõrvaldamisel kohalikke eeskirju.**

12. Kasutage akusid ainult Makita heaks kiidetud toodetega. Akude paigaldamine selleks mitte ettenähtud toodetele võib põhjustada süttimist, ülemäärrast kuumust, plahvatamist või elektrolüüdi lekkimist.
13. Kui tööriista ei kasutata pika ajaperioodi jooksul, tuleb aku tööriistast eemaldada.
14. Kasutamise ajal ja pärast kasutamist võib akukassett kuumeneda, mis võib põhjustada põletusi või madala temperatuuri põletusi. Olge kuumu akukasseti kandmisel ettevaatlik.
15. Ärge puudutage tööriista klemmi kohe pärast kasutamist, sest see võib olla kuum ja põhjustada põletusi.
16. Hoidke akukasseti klemmid, avad ja sooned tükikestest, tolmust ja mullast puhtad. Muidu võib tööriist või akukassett halvasti töötada või puruneda.
17. Kui tööriist ei kannata kasutamist kõrgepingeliinide lähedal, ärge kasutage akukassetti kõrgepingeliinide lähedal. Muidu võib tööriist või akukassett puruneda või sellel tõrge tekkida.

HOIDKE JUHEND ALLES.

⚠ETTEVAATUST: Kasutage ainult Makita originaalakusid. Mitte Makita originaalakude või muudetud akude kasutamine võib põhjustada akude süttimise, kehavigastuse ja kahjustuse. Samuti muudab see kehtetuks Makita tööriista ja laadija Makita garantii.

Vihjeid aku maksimaalse kasutusaja tagamise kohta

1. Laadige akukassetti enne selle täielikku tühjenemist. Kui märkate, et tööriist töötab väiksema võimsusega, peatage töö ja laadige akukassetti.
2. Ärge laadige täielikult laetud akukassetti. Ülelaadimine lühendab akude kasutusaja.
3. Laadige akukassetti toatemperatuuril 10 °C - 40 °C. Enne laadimist laske kuumenenud akukassetil maha jahtuda.
4. Kui te ei kasuta parajasti akukassetti, eemaldage see tööriistast või laadurist.
5. Kui te ei kasuta akukassetti kauem kui kuus kuud, laadige see.

Juhtmeta seadmega seotud olulised ohutusjuhised

1. Ärge võtke juhtmeta seadet lahti ega muutke seda omavoliiselt.
2. Hoidke juhtmeta seadet lastele kättesaamatus kohas. Kogemata allaneelamise korral pöörduda kohe arsti poole.
3. Kasutage juhtmeta seadet ainult koos Makita tööriistadega.
4. Ärge jätke juhtmeta seadet vihma kätte ega märga keskkonda.
5. Ärge kasutage juhtmeta seadet kohtades, kus temperatuur on üle 50 °C.
6. Ärge kasutage juhtmeta seadet kohtades, kus leidub meditsiinilisi seadmeid, nagu südamestimulaatorid.

7. Ärge kasutage juhtmeta seadet kohtades, kus leidub automatiseeritud seadmeid. Muidu võib automatiseeritud seadmetel esineda talitushäireid või need võivad minna rikki.
8. Ärge töötage juhtmeta seadmega kohtades, kus on kõrge temperatuur ja kus võib esineda staatilist elektrit või elektrilist müra.
9. Juhtmeta seadmed võivad tekitada elektromagnetvälju (EMV), mis ei ole kasutajale kahjulikud.
10. Juhtmeta seade on täppisseade. Olge ettevaatlik, ärge laske juhtmevabal seadmel maha kukkuda ja vältige lööke.
11. Ärge puudutage juhtmeta seadme klemmi paljaste käte või metallesemetega.
12. Juhtmeta seadme tööriista sisse paigaldamisel eemaldage tootest alati aku.
13. Ärge avage pesa katet kohas, kus tolm või vesi võivad pesasse sattuda. Hoidke pesa siselaskeava alati puhtana.
14. Sisestage juhtmeta seade alati õiges suunas.
15. Ärge vajutage juhtmeta seadme juhtmeta aktiveerimise nupule liiga tugevalt ja/või ärge tehke seda teravate servadega esemega.
16. Sulgege pesa kaas alati pärast kasutamist.
17. Ärge eemaldage juhtmeta seadet pesast ajal, kui tööriista varustatakse toitega. Selle juhise järgimata jätmine võib tekitada juhtmeta seadme talitlushäireid.
18. Ärge eemaldage juhtmevabalt seadmelt kleebist.
19. Ärge pange juhtmevabale seadmele mingeid kleebiseid.
20. Ärge jätke juhtmeta seadet kohta, kus võib esineda staatilist elektrit või elektrilist müra.
21. Ärge jätke juhtmeta seadet kohta, kus on väga kuum, nt päikese kätte seisvasse autosse.
22. Ärge jätke juhtmeta seadet tolmusesse või pulbrilisse kohta või kohta, kus võib esineda söövitavaid gaase.
23. Äkiline temperatuuri muutumine võib tekitada juhtmeta seadme pinnale niiskuskihhi. Ärge kasutage juhtmeta seadet enne, kui kogunenud niiskus on täielikult ära kuivanud.
24. Juhtmeta seadme puhastamisel pühkige seda õrnalt pehme lapiga. Ärge kasutage bensiini, lahusteid, juhtivaid määrdeid vms.
25. Juhtmeta seadme hoistamisel hoidke seda komplekti kuuluvas karbis või staatikavabas konteineris.
26. Ärge sisestage tööriista pesasse muid seadmeid kui Makita juhtmeta seade.
27. Ärge kasutage tööriista, kui pesa kaas on kahjustunud. Pessa sattuvad vesi, tolm või mustus võivad põhjustada talitushäireid.
28. Ärge tõmmake ega väänake pesa katet rohkem kui vajalik. Kui tööriistalt tuleb kaas ära, siis pange see oma kohale tagasi.
29. Asendage pesa kaas, kui see on läinud kaduma või kahjustunud.

HOIDKE JUHEND ALLES.

FUNKTSIONAALNE KIRJELDUS

⚠ETTEVAATUST: Kandke alati hoolt selle eest, et tööriist oleks enne reguleerimist ja kontrollimist välja lülitatud ja akukassett eemaldatud.

Akukasseti paigaldamine või eemaldamine

⚠ETTEVAATUST: Lülitage tööriist alati enne akukasseti paigaldamist või eemaldamist välja.

⚠ETTEVAATUST: Akukasseti paigaldamisel või eemaldamisel tuleb tööriista ja akukassetti kindlalt paigal hoida. Kui tööriista ja akukassetti ei hoita kindlalt paigal, võivad need käest libiseda ning kahjustada tööriista ja akukassetti või põhjustada kehavigastusi.

► **Joon.1:** 1. Punane näidik 2. Nupp 3. Akukassett

Akukasseti eemaldamiseks libistage see tööriista küljest lahti, vajutades kasseti esiküljel paiknevat nuppu alla.

Akukasseti paigaldamiseks joondage akukasseti keel korpuse soonega ja libistage kassett oma kohale. Paigaldage akuadapter alati nii kaugele, et see lukustuks klõpsatusega oma kohale. Kui näete nupu ülaosas punast osa, pole kassett täielikult lukustunud.


















⚠ETTEVAATUST: Paigaldage akukassett alati täies ulatuses nii, et punast osa ei jääks näha. Muidu võib adapter juhuslikult tööriistast välja kukkuda ning põhjustada teile või läheduses viibivatele isikutele vigastusi.

⚠ETTEVAATUST: Ärge rakendage akukasseti paigaldamisel jõudu. Kui kassett ei lähe kergesti sisse, pole see õigesti paigaldatud.

Aku jääkmahutavuse näit

Akukasseti järelejäanud mahutavuse kontrollimiseks vajutage kontrollimise nuppu. Märgulambid süttivad mõneks sekundiks.

► **Joon.2:** 1. Märgulambid 2. Kontrollimise nupp

Märgulambid			Jääkmahutavus
 Põleb	 Ei põleb	 Vilgub	
			75 - 100%
			50 - 75%
			25 - 50%
			0 - 25%
			Laadige akut.
			Akut võib olla tõrge.
			

MÄRKUS: Näidatud mahutavus võib veidi erineda tegelikust mahutavusest olenevalt kasutustingimustest ja ümbritseva keskkonna temperatuurist.

Tööriista/aku kaitsesüsteem

Tööriist on varustatud tööriista või aku kaitsesüsteemiga. Süsteem lülitab mootori automaatselt välja, et pikendada tööriista ja aku tööiga. Tööriist seiskub käitamise ajal automaatselt, kui tööriista või aku kohta kehtib üks järgmistest tingimustest.

Ülekoormuskaitse

Kui tööriista/aku kasutamise käigus hakkab see tarbima ebaharilikult palju voolu, peatub tööriist automaatselt ilma igasuguse signaalita. Sel juhul lülitage tööriist välja ja lõpetage tööriista ülekoormuse põhjustanud töö. Pärast seda käivitage tööriist uuesti.

Ülekuumenemiskaitse

Tööriista/aku ülekuumenemisel seiskub tööriist automaatselt. Laske tööriistal maha jahtuda, enne kui selle uuesti sisse lülitate.

Ülelaadimiskaitse

Kui aku laetuse tase ei ole piisav, seiskub tööriist automaatselt. Sellisel juhul eemaldage aku seadmest ja laadige täis.

Kaitseluku vabastamine

Kaitsesüsteemi korduval töötamisel tööriist lukustub. Sellises olukorras ei käivitu tööriist isegi siis, kui seda lülitatakse välja ja sisse. Kaitseluku vabastamiseks eemaldage aku, seadke see akulaadijasse ja oodake, kuni laadimine lõpeb.

Võllilukk

Võlli pöörlemise takistamiseks vajutage võllilukku alati, kui paigaldate või eemaldate tarvikuid.

► **Joon.3:** 1. Võllilukk

TÄHELEPANU: Ärge kasutage kunagi võllilukku ajal, kui võll veel liigub. See võib tööriista kahjustada.

Lüliti funktsioneerimine

⚠ETTEVAATUST: Enne akukasseti paigaldamist tööriista sisse kontrollige alati, kas hoobüliti funktsioneerib õigesti ning liigub vabastamisel tagasi asendisse „OFF” (VÄLJAS).

⚠ETTEVAATUST: Ohutuse huvides on selle tööriistal lahtilukustuse hoob, mis hoiab ära tööriista ootamatu käivitumise. ÄRGE KUNAGI kasutage tööriista, kui see hakkab tööle lihtsalt hoobüliti tõmbamisel, lahtilukustushooba vajutamata. ENNE edasist kasutamist viige masin remonti meie volitatud teeninduskeskusesse.

⚠ETTEVAATUST: Ärge tõmmake hoobülilit jõuga ilma lahtilukustushooba vajutamata. See võib põhjustada lüliti purunemise.

⚠ETTEVAATUST: ÄRGE KUNAGI teipige lahtilukustuse hooba kinni ega üritage selle funktsiooni blokeerida.

► Joon.4: 1. Lahtilukustushoob 2. Hooblüliti

Hooblüliti juhusliku tömbamise vältimiseks on tööriist varustatud lahtilukustushoovaga.

Tööriista käivitamiseks tõmmake lahtilukustushooba enda poole ning seejärel tõmmake hooblüliti.

Tööriista seiskamiseks vabastage hooblüliti.

Kiirusregulaator

Tööriista pöörlemiskiirust saab kiirusregulaatorit pöörasu muuta. Järgnevas tabelis on toodud regulaatoril asuv number ja sellele vastav pöörlemiskiirus.

► Joon.5: 1. Kiirusregulaator

Number	Kiirus
1	3 000 min ⁻¹
2	4 500 min ⁻¹
3	6 000 min ⁻¹
4	7 500 min ⁻¹
5	8 500 min ⁻¹

TÄHELEPANU: Kui tööriista kasutatakse lakka-
matult pika aja vältel aeglasel kiirusel, koormab
see mootori üle ja tööriista töös võivad tekkida
tõrked.

TÄHELEPANU: Muutes kiirusregulaatorit
asendist „5” asendisse „1”, pöörake regulaatorit
vastupäeva. Ärge pöörake regulaatorit jõuga
päripäeva.

Juhusliku taaskäivitamise vältimise funktsioon

Akukasseti paigaldamisel ei käivitu tööriist isegi hooblüliti tömbamisel.

Tööriista käivitamiseks vabastage kõigepealt hooblüliti. Seejärel tõmmake lahtilukustushooba ja tõmmake hooblüliti.

Elektroniline väändejõu juhtimise funktsioon

Tööriist tuvastab elektroniliselt olukorrad, kus ketas või tarvik ähvardavad kinni jääda. Sellises olukorras lülitatakse tööriist võlli edasise pöörlemise vältimiseks automaatselt välja (see ei hoiu ära tagasilööki).

Tööriista taaskäivitamiseks lülitage tööriist esmalt välja, kõrvaldage pöörlemiskiiruse ootamatu langemise põhjus ja lülitage tööriist seejärel uuesti sisse.

Sujuvkäivituse funktsioon

Sujuvkäivituse funktsioon vähendab käivituslööki.

Elektriline pidur

Ainult mudelitele GA027G / GA028G / GA029G

Tööriista väljalülitamise järel aktiveeritakse elektriline pidur.

Kui elektrivarustus katkestatakse, näiteks aku juhuslikul eemaldamisel, kuid lüliti jääb endiselt sisselülitatud asendisse, siis pidur ei toimi.

KOKKUPANEK

▲ETTEVAATUST: Kandke alati hoolt selle eest, et tööriist oleks enne reguleerimist ja kontrollimist välja lülitatud ja akukassett eemaldatud.

Külgkäepideme (käepide) paigaldamine

▲ETTEVAATUST: Enne tööd kontrollige alati, kas külgkäepide on kindlalt paigaldatud.

Kruike külgkäepide kindlalt oma kohale, nii nagu joonisel näidatud.

► Joon.6

Kettakaitsme paigaldamine või eemaldamine

▲HOIATUS: Kui kasutate nõgusa keskosaga ketast, lamellketast, painduvat ketast või ketast-raatharja, tuleb kettakaitsme paigaldada tööriista külge nii, et kaitsme kinnine külg jääks alati operaatori poole.

▲HOIATUS: Veenduge, et lukustushoob oleks kettakaitsme turvaliselt lukustanud, lukustades ühe kettakaitsmel oleva augu.

▲HOIATUS: Kui kasutate lihv-/teemantketast, siis valige kindlasti spetsiaalselt selle löikekettaga kasutamiseks mõeldud kettakaitsme.

(Mõnes Euroopa riigis võib teemantketta puhul kasutada tavalist kettakaitsmet. Järgige oma riigis kehtivaid eeskirju.)

Nõgusa keskosaga kettale, lamellkettale, painduvale kettale, ketastraatharjale / löikekettale, teemantkettale

1. Paigaldage kettakaitsme lukustushooba alla vajutades nii, et kettakaitsme klambri eendid oleksid laagriümbrise salkudega kokakuti.

► Joon.7: 1. Lukustushoob 2. Soon 3. Eenduv osa

2. Lukustushooba A suunas lükates suruge alla kettakaitsme, hoides B-osi joonisel näidatud viisil all.

► Joon.8: 1. Kettakaitsme 2. Ava

MÄRKUS: Suruge kettakaitsme sirgelt alla. Muidu ei ole võimalik kettakaitsmet täielikult suruda.

3. Lukustushooba ja kettakaitsmet teises sammus kirjeldatud viisil all hoides pöörake kettakaitsmet C suunas ning muutke olenevalt tööülesandest kettakaitsme nurka.

► Joon.9: 1. Kettakaitsme 2. Ava

MÄRKUS: Suruge kettakaitsme täielikult alla. Muidu ei ole võimalik kettakaitsmet pöörata.

Kettakaitsme eemaldamiseks järgige paigaldamise protseduuri vastupidises järjekorras.

Nõgusa keskosaga ketta või lamellketta paigaldamine või eemaldamine

Valikuline tarvik

⚠️HOIATUS: Kui kasutate nõgusa keskosaga ketast või lamellketast, tuleb kettakaitse paigaldada tööriista külge nii, et kaitse kinnine külg jääks alati operaatori poole.

⚠️ETTEVAATUST: Veenduge, et siseääriku paigaldusosa sobiks suurepäraselt nõgusa keskosaga ketta / lamellketta siseläbimõõduga. Siseääriku paigaldamine valele küljele võib põhjustada ohtlikku vibratsiooni.

Paigaldage siseäärik völliile.

Asetage siseääriku süvendatud pool kindlasti völli põhjas sirgele osale.

Paigaldage nõgusa keskosaga ketas / lamellketas siseääriku peale ja keerake fiksaatormutter völli külge.

► **Joon.10:** 1. Fiksaatormutter 2. Nõgusa keskosaga ketas 3. Siseäärik 4. Paigaldusosa

Fiksaatormutri pingutamiseks suruge tugevalt völli lukustusnuppu nii, et völli ei saaks pöördeda, ning pingutage fiksaatormutrit fiksaatormutri jaoks ettenähtud vötmega päripäeva.

► **Joon.11:** 1. Fiksaatormutri vöti 2. Völliiluk

Ketta eemaldamiseks järgige paigaldamise protseduuri vastupidises järjekorras.

Lõikeketta paigaldamine või eemaldamine

Valikuline tarvik

⚠️HOIATUS: Kasutage alati kaasasolevat kaitset, kui tööriistal on paindub ketas. Kui ketas peaks töötamisel tükideks purunema, aitab kaitse vigastusi vältida.

► **Joon.12:** 1. Fiksaatormutter 2. Paindub ketas 3. Tugipadi 4. Siseäärik

Järgige nõgusa keskosaga ketta juhtnõore, kuid kasutage kettal ka tugipatja. Vt kokkupaneku järjekorda selle kasutusjuhendi tarvikute leheküljel.

Lihvketta paigaldamine või eemaldamine

Valikuline tarvik

⚠️MÄRKUS: Kasutage kasutusjuhendis nimetatud lihvtarvikuid. Need tuleb osta eraldi.

100 mm mudel

► **Joon.13:** 1. Lihvimise fiksaatormutter 2. Lihvketas 3. Kummist tugiketas 4. Siseäärik

1. Paigaldage siseäärik völliile.
2. Paigaldage kummist tugiketas völliile.
3. Sobitage ketas kummist tugikettale ja kruvige lihvimise fiksaatormutter völliile.
4. Hoidke völli koos völliilukuga ja pingutage lihvimise fiksaatormutrit lukustusmutri mutrivötmega päripäeva.

Ketta eemaldamiseks tegutsege paigaldamise protseduurile vastupidises järjekorras.

115 mm / 125 mm mudel

► **Joon.14:** 1. Lihvimise fiksaatormutter 2. Lihvketas 3. Kummist tugiketas

1. Paigaldage kummist tugiketas völliile.
2. Sobitage ketas kummist tugikettale ja kruvige lihvimise fiksaatormutter völliile.
3. Hoidke völli koos völliilukuga ja pingutage lihvimise fiksaatormutrit lukustusmutri mutrivötmega päripäeva.

Ketta eemaldamiseks tegutsege paigaldamise protseduurile vastupidises järjekorras.

Ezynuti paigaldamine või eemaldamine

Valikuline tarvik

⚠️ETTEVAATUST: Ärge kasutage Ezynutit suureäärikuga ega nurklivijaga, mille mudeli numbril lõpus on „F“. Need äärikud on nii paksud, et völli ei suuda tervet keeret kinni hoida.

► **Joon.15:** 1. Ezynut 2. Lihvketas 3. Sisemine flanš 4. Völli

Paigaldage siseäärik, lihvketas ja Ezynut völliile nii, et Makita logo jääks Ezynutil väljapoole.

► **Joon.16:** 1. Völliiluk

Vajutage tugevasti völliilukule ja kinnitage Ezynut, keerates lihvketast päripäeva lõpuni.

Avamiseks pöörake Ezynuti välisrõngast vastupäeva.

► **Joon.17:** 1. Nool 2. Salk

► **Joon.18**

⚠️MÄRKUS: Ezynuti saab avada käsitsi siis, kui nool osutab sälgule. Vastasel korral kasutage avamiseks mutrivötit. Sisestage mutrivötmega üks sõrm avasse ja pöörake Ezynuti vastupäeva.

Lihv-/teemantketta paigaldamine

Valikuline tarvik

⚠️HOIATUS: Kui kasutate lihv-/teemantketast, siis valige kindlasti spetsiaalselt selle lõikekettaga kasutamiseks mõeldud kettakaitse.

(Mõnes Euroopa riigis võib teemantketta puhul kasutada tavalist kettakaitset. Järgige oma riigis kehtivaid eeskirju.)

⚠️HOIATUS: ÄRGE KUNAGI kasutage lõikeketast külglihvimiseks.

► **Joon.19:** 1. Fiksaatormutter 2. Lihv-/teemantketas 3. Siseäärik 4. Lihv-/teemantketta ketta kaitse

Paigaldamisel järgige nõgusa keskosaga ketast puudutavaid juhtnõore.

Fiksaatormutri ja siseääriku suund on oleb monteerimisel ketta tüübist ja paksusest.

Vt järgmisi jooniseid.

100 mm mudel

Lihvketta paigaldamine:

- **Joon.20:** 1. Fiksaatormutter 2. Lihvketas (õhem kui 4 mm) 3. Lihvketas (4 mm või paksem) 4. Siseäärik

Teemantketta paigaldamine:

- **Joon.21:** 1. Fiksaatormutter 2. Teemantketas (õhem kui 4 mm) 3. Teemantketas (4 mm või paksem) 4. Siseäärik

115 mm / 125 mm mudel

Lihvketta paigaldamine:

- **Joon.22:** 1. Fiksaatormutter 2. Lihvketas (õhem kui 4 mm) 3. Lihvketas (4 mm või paksem) 4. Siseäärik

Teemantketta paigaldamine:

- **Joon.23:** 1. Fiksaatormutter 2. Teemantketas (õhem kui 4 mm) 3. Teemantketas (4 mm või paksem) 4. Siseäärik

Traatidega kaussharja paigaldamine

Valikuline tarvik

⚠ **ETTEVAATUST:** Ärge kasutage kahjustatud või balansseerimata harja. Kahjustatud harja kasutamine võib suurendada harja katkiste terasharjaste põhjustatud vigastusohu.

- **Joon.24:** 1. Kausshari Terasharjad

Eemaldage akukassett tööriista küljest ja asetage tööriist tagurpidi, et võimaldada hõlpsat juurdepääsu völliile.

Eemaldage völliit kõik tarvikud. Paigaldage terashari völliile ja keerake kaasasoleva mutrivõtmeaga kinni.

Ketastraatharja paigaldamine

Valikuline tarvik

⚠ **ETTEVAATUST:** Ärge kasutage kahjustatud või tasakaalustamata ketastraatharja. Kahjustatud ketastraatharja kasutamine võib suurendada katkiste harjaste põhjustatud vigastusohu.

⚠ **ETTEVAATUST:** Kasutage ketastraatharjadega töötamisel ALATI kaitset, valides ketta diameetritele sobiva suuruse. Kui ketas peaks töötamisel tükki purunema, aita kaitse vigastusi vältida.

- **Joon.25:** 1. Ketastraathari

Eemaldage akukassett tööriista küljest ja asetage tööriist tagurpidi, et võimaldada hõlpsat juurdepääsu völliile.

Eemaldage völliit kõik tarvikud. Keerake ketastraathari völliile ja kinnitage mutrivõtmeaga.

Tolmuimeja ühendamine

Valikuline tarvik

⚠ **HOIATUS:** Ärge imege tolmuimejaga metalli, mis on tekkinud käimise, lõikamise või lihvimise tulemusena. Sellise tegevuse tulemusena tekkinud metallosakesed on niivõrd kuumad, et süütavad tolmuimeja sees oleva tolmu ja filtri.

Müüritise lõikamisel tekkida võiva tolmu keskkonna vältimiseks kasutage tolmuemaldusega kettakaitset ja tolmuimejat. Kokkupanemist ja kasutamist vaadake kasutusjuhendist, mis on tolmuemaldusega kettakaitsemeaga kaasas.

- **Joon.26:** 1. Tolmuemaldusega kettakaitse 2. Tolmuimeja voolik

TÖÖRIISTA KASUTAMINE

⚠ **HOIATUS:** Ärge kasutage tööriista suhtes kunagi jõudu. Tööriista enda raskus annab piisava surve. Ülemäärane surumine ja surve võivad põhjustada ketta ohtliku purunemise.

⚠ **HOIATUS:** Vahetage ketas ALATI välja, kui tööriist on käimise ajal maha kukkunud.

⚠ **HOIATUS:** Ärge lööge KUNAGI käiaketast vastu töödeldavat detaili.

⚠ **HOIATUS:** Vältige ketta kinnikiilumist ja vastu töödeldavat pinda pörkumist, eriti siis, kui töötate nurkades ja teravate servadega jne. See võib põhjustada ohtlikke tagasilööke.

⚠ **HOIATUS:** Ärge kasutage tööriista puude saagimise saelehdedega ega muude saelehdedega. Selliste saelehdede kasutamisel lihvijaga annavad need sageli tagasilöögi ja toovad endaga kaasa kontrolli kaotamise, mis põhjustab vigastuste tekkimist.

⚠ **ETTEVAATUST:** Ärge käivitage kunagi tööriista, mis on kontaktis töödeldava pinna või detailiga, sest see võib kaasa tuua ohtlikke vigastusi.

⚠ **ETTEVAATUST:** Kandke töö juures alati kaitseprille või näokatet.

⚠ **ETTEVAATUST:** Pärast tööd lülitage tööriist alati välja ja oodake enne tööriista käest panemist, kuni ketas on täielikult seiskunud.

⚠ **ETTEVAATUST:** Hoidke tööriista ALATI kindlat ühe käega korpusest ja teisega külgkäepidemest.

Käimise ja lihvimise režiim

- **Joon.27**

Lülitage tööriist sisse ja alustage seejärel kettaga pinna või detaili töötlemist.

Tavaliselt hoidke ketta serva töödeldava pinna suhtes 15° nurga all.

Uue ketta sissetöötamisperioodil ärge töötage käiaga edasisuunas; sest midu võib ketas lõikuda töödeldavasse pinda. Kui ketta serv on töö käigus ümaraks muutunud, võib ketast kasutada nii edasi- kui ka tagasisuunas.

Lihv-/teemantketta käitamine

Valikuline tarvik

⚠️HOIATUS: Ärge ummistage ketast ega rakedage liigset jõudu. Ärge püüdke teha liiga sügavat lõiget. Liigse jõu rakendamine suurendab koormust ja ketta väänamise või kinnikiilumise tõenäosust lõikejäljes ning tagasilöögi, ketta purunemise ja mootori ülekuumenemise võimalusi.

⚠️HOIATUS: Ärge käivitage töödeldava detaili lõikeoperatsiooni. Laske kettal saavutada täiskiirus ja sisenege hoolikalt lõikesse, liigutades tööriista üle töödeldava detaili pinna. Kui elektri-tööriist taaskäivitatakse töödeldava detaili sees, võib ketta kinni jääda, ülespoole liikuda või põhjustada tagasilöögi.

⚠️HOIATUS: Ärge kunagi muutke ketta nurka lõikeoperatsiooni ajal. Lõikeketaste külgsurve rakendamine (nagu lihvimisel) põhjustab ketta mõranemise ja purunemise, mis võib kaasa tuua tõsisid vigastusi.

⚠️HOIATUS: Teemantketast tuleb kasutada lõigatava materjali suhtes ristloodis.

Kasutusnäide: töötamine lõikekettaga

► Joon.28

Kasutusnäide: töötamine teemantkettaga

► Joon.29

Traatidega kaussharja käitamine

Valikuline tarvik

⚠️ETTEVAATUST: Kontrollige harja tööd, lastes tööriistal tühjalt käia ja kandes hoolt selle eest, et keegi ei asuks harja ees või sellega ühel joonel.

TÄHELEPANU: Vältige liigse surve avaldamist, mis võiks põhjustada traatidega kaussharja kasutamise ajal traatide ülepaandumist. See võib tuua kaasa enneaegse purunemise.

Kasutusnäide: töötamine traatidega kaussharjaga

► Joon.30

Ketastraatharja käitamine

Valikuline tarvik

⚠️ETTEVAATUST: Kontrollige ketastraatharja tööd, lastes tööriistal tühjalt käia ja kandes hoolt selle eest, et keegi ei asuks ketastraatharja ees või sellega ühel joonel.

TÄHELEPANU: Vältige liigse jõu rakendamist, mis põhjustab traatide ülemääraast paandumist ketastraatharja kasutamise ajal. See võib põhjustada enneaegset purunemist.

Kasutusnäide: töötamine ketastraatharjaga

► Joon.31

JUHTMETA AKTIVEERIMISE FUNKTSIOON

Mida võimaldab juhtmeta aktiveerimise funktsioon

Juhtmeta aktiveerimise funktsioon võimaldab puhast ja mugavat töötamist. Ühendades toetatud tolmuimeja tööriistaga, saate käivitada tolmuimeja automaatselt koos tööriista lüliti toimimisega.

► Joon.32

Juhtmeta aktiveerimise funktsiooni kasutamiseks valmistage ette alljärgnev:

- juhtmeta seade (valikuline tarvik);
- tolmuimeja, mis toetab juhtmeta aktiveerimise funktsiooni.

Alljärgnevalt on toodud juhtmeta aktiveerimise funktsiooni seadistamise ülevaade. Üksikasjalikuma teabe saamiseks vaadake konkreetseid jaotisi.

1. Juhtmeta seadme paigaldamine
2. Tööriista registreerimine tolmuimeja jaoks
3. Juhtmeta aktiveerimise funktsiooni käivitamine

Juhtmeta seadme paigaldamine

Valikuline tarvik

⚠️ETTEVAATUST: Juhtmeta seadme paigaldamisel asetage tööriist tasasele ja kindlale pinnale.

TÄHELEPANU: Enne juhtmeta seadme paigaldamist puhastage tööriist tolmust ja mustusest. Kui tolm ja mustus satuvad juhtmeta seadme pessa, siis võib esineda talitushäireid.

TÄHELEPANU: Staatika põhjustatud talitushäirete vältimiseks puudutage enne juhtmeta seadme ülestõstmist staatikat eemaldavat materjali, näiteks tööriista metallist osa.

TÄHELEPANU: Juhtmeta seadme paigaldamisel veenduge alati, et juhtmeta seade oleks sisestatud õiges suunas ja kaas oleks korralikult suletud.

1. Avage tööriista kaas joonisel näidatud viisil.

► Joon.33: 1. Kaas

2. Sisestage juhtmeta seade pesasse ja sulgege kaas.

Juhtmeta seadme sisestamisel joondage väljaulatuvad osad pesa süvendatud osadega.

► Joon.34: 1. Juhtmeta seade 2. Väljaulatuv osa

3. Kaas 4. Süvendatud osa

Juhtmeta seadme eemaldamisel avage kaas aeglaselt. Kaane tagaküljel asuvad konksud tõstavad juhtmeta seadme koos kaanega välja.

► Joon.35: 1. Juhtmeta seade 2. Konks 3. Kaas

Pärast eemaldamist hoidke juhtmeta seadet komplekti kuuluvas karbis või staatikavabas konteineris.

TÄHELEPANU: Juhtmeta seadme eemaldamisel kasutage alati kaane tagaküljel asuvaid konkse. Kui konksud ei haaku juhtmeta seadmega, sulgege kaas täielikult ja avage aeglaselt uuesti.

Tööriista registreerimine tolmuimeja jaoks

MÄRKUS: Registreerimiseks on vajalik Makita tolmuimeja, mis toetaks juhtmeta aktiveerimise funktsiooni.

MÄRKUS: Enne tööriista registreerimist tuleb juhtmeta seade tööriista paigaldada.

MÄRKUS: Tööriista registreerimise ajal ärge tõmmake lüliti päästikut ega lülitage tolmuimeja toitelüliti sisse.

MÄRKUS: Vt ka tolmuimeja kasutusjuhendit.

Kui te soovite tolmuimeja koos tööriista lüliti toimimisega aktiveerida, siis peate kõigepealt lõpetama tööriista registreerimise.

1. Paigaldage patareid nii tolmuimejasse kui ka tööriista.
2. Seadke tolmuimeja ooterežiimi lüliti asendisse „AUTO“.
► **Joon.36:** 1. Ooterežiimi lüliti
3. Vajutage tolmuimejal juhtmeta aktiveerimise nuppu ja hoidke seda 3 sekundit all, kuni juhtmeta aktiveerimise tuli hakkab roheliselt vilkuma. Seejärel vajutage samamoodi tööriista juhtmeta aktiveerimise nuppu.
► **Joon.37:** 1. Juhtmeta aktiveerimise nupp
2. Juhtmeta aktiveerimise tuli

Kui tolmuimeja ja tööriist on edukalt seotud, siis juhtmeta aktiveerimise tuled süttivad 2 sekundiks roheliselt ja hakkavad seejärel siniselt vilkuma.

MÄRKUS: Juhtmeta aktiveerimise lambid lõpetavad roheliselt vilkumise 20 sekundi pärast. Vajutage juhtmeta aktiveerimise nuppu tööriistal, kui puhastajal vilgub juhtmeta aktiveerimise tuli. Kui juhtmeta aktiveerimise tuli ei vilgu roheliselt, siis vajutage korraks juhtmeta aktiveerimise nuppu ja hoidke seda uuesti all.

MÄRKUS: Sidudes kahte või enamat tööriista ühe tolmuimejaga, lõpetage tööriistade registreerimine üksahaaval.

Juhtmeta aktiveerimise funktsiooni käivitamine

MÄRKUS: Enne juhtmeta aktiveerimist tuleb lõpetada tööriista tolmuimejaga sidumine.

MÄRKUS: Vt ka tolmuimeja kasutusjuhendit.

Pärast tööriista sidumist tolmuimejaga, käivitage tolmuimeja automaatselt tööriista lülite abil.

1. Paigaldage juhtmeta seade tööriista sisse.
2. Ühendage tolmuimeja voolik tööriistaga.
► **Joon.38**
3. Seadke tolmuimeja ooterežiimi lüliti asendisse „AUTO“.
► **Joon.39:** 1. Ooterežiimi lüliti

4. Vajutage korraks tööriistal olevat juhtmeta aktiveerimise nuppu. Juhtmeta aktiveerimise tuli vilgub siniselt.
► **Joon.40:** 1. Juhtmeta aktiveerimise nupp
2. Juhtmeta aktiveerimise tuli

5. Tõmmake tööriista lüliti päästikut. Kontrollige, kas tolmuimeja lüliti päästik töötab tõmbamise ajal.

Tolmuimeja juhtmeta aktiveerimise peatamiseks vajutage tööriista juhtmeta aktiveerimise nuppu.

MÄRKUS: Tööriista juhtmeta aktiveerimise tuli lõpetab siniselt vilkumise, kui 2 tunni jooksul ei tehta ühtegi toimingut. Sellisel juhul seadke tolmuimeja ooterežiimi lüliti asendisse „AUTO“ ja vajutage tööriistal uuesti juhtmeta aktiveerimise nuppu.

MÄRKUS: Tolmuimeja alustab/peatub viivitusega. Kui tolmuimeja tuvastab tööriista lüliti toimimise, esineb viivitus.










MÄRKUS: Juhtmeta seadme edastamise kaugus võib olenevalt asukohast ja ümbritsevatest oludest erineda.

MÄRKUS: Kui kaks või enam tööriista seotakse ühe tolmuimejaga, siis võib tolmuimeja hakata tööle isegi siis, kui te pole lüliti päästikut tõmmanud, sest juhtmeta aktiveerimise funktsiooni kasutab mõni teine kasutaja.

Juhtmeta aktiveerimise tule oleku kirjeldus

► Joon.41: 1. Juhtmeta aktiveerimise tuli

Juhtmeta aktiveerimise tuli näitab juhtmeta aktiveerimise funktsiooni olekut. Tule oleku tähendust näete allolevast tabelist.

Olek	Juhtmeta aktiveerimise tuli				Kirjeldus
	Värv	 Põleb	 Vilgub	Kestus	
Ooteaeg	Sinine			2 tundi	Tolmuimeja juhtmeta aktiveerimine on saadaval. Tuli lülitub automaatselt välja, kui 2 tunni jooksul ei tehta ühtegi toimingut.
				Kui tööriist on käivitatud.	Tolmuimeja juhtmeta aktiveerimine on saadaval ja tööriist on käivitatud.
Tööriista registreerimine	Roheline			20 sekundit	Valmis tööriista registreerimiseks. Tolmuimeja poolse registreerimise ootamine.
				2 sekundit	Tööriista registreerimine on lõpetatud. Juhtmeta aktiveerimise tuli hakkab siniselt vilkuma.
Tööriista registreerimise tühistamine	Punane			20 sekundit	Valmis tööriista registreerimise tühistamiseks. Tolmuimeja poolse tühistamise ootamine.
				2 sekundit	Tööriista registreerimise tühistamine on lõpetatud. Juhtmeta aktiveerimise tuli hakkab siniselt vilkuma.
Muu	Punane			3 sekundit	Juhtmeta seade on ühendatud toitega ja juhtmeta aktiveerimise funktsioon käivitub.
	Väljas	-		-	Tolmuimeja juhtmeta aktiveerimine on peatatud.

Tööriista registreerimise tühistamine tolmuimeja jaoks

Tööriista registreerimise tühistamiseks tolmuimeja jaoks tuleb toimida alljärgnevalt.

1. Paigaldage patareid nii tolmuimejasse kui ka tööriista.
2. Seadke tolmuimeja ooterežiimi lüliti asendisse „AUTO“.
3. Vajutage tolmuimejal juhtmeta aktiveerimise nuppu ja hoidke seda 6 sekundit all. Juhtmeta aktiveerimise tuli vilgub roheliselt ja muutub seejärel punaseks. Seejärel vajutage samamoodi tööriista juhtmeta aktiveerimise nuppu.

- **Joon.42:** 1. Ooterežiimi lüliti
- **Joon.43:** 1. Juhtmeta aktiveerimise nupp
2. Juhtmeta aktiveerimise tuli

Kui tolmuimeja ja tööriist on edukalt lahutatud, siis juhtmeta aktiveerimise tuled süttivad 2 sekundiks punaselt ja seejärel hakkavad need siniselt vilkuma.

MÄRKUS: Juhtmeta aktiveerimise lambid lõpetavad punaselt vilkumise 20 sekundi pärast. Vajutage juhtmeta aktiveerimise nuppu tööriistal, kui puhastajal vilgub juhtmeta aktiveerimise tuli. Kui juhtmeta aktiveerimise tuli ei vilgu punaselt, siis vajutage korraks juhtmeta aktiveerimise nuppu ja hoidke seda uuesti all.

Juhtmeta aktiveerimise funktsiooni veatsing

Enne remonditöökotta pöördumist kontrollige niidukit ise. Ärge üritage niidukit lahti võtta, kui leiate probleemi, mida kasutusjuhendis ei kirjeldata. Selle asemel pöörduge Makita volitatud teeninduskeskusesse, kus kasutatakse remontimisel alati Makita tagavaraosi.

Tõrge	Võimalik põhjus (riike)	Lahendus
Juhtmeta aktiveerimise tuli ei põle / ei vilgu.	Tööriista sisse ei ole juhtmeta seadet paigaldatud. Juhtmeta seade on tööriista sisse valesti paigaldatud.	Paigaldage juhtmeta seade õigesti.
	Juhtmeta seadme klemm ja/või pesa on määrduanud.	Pühkige juhtmeta seadme klemmilt ettevaatlikult tolm ja mustus ning puhastage pesa.
	Tööriistal olevat juhtmeta aktiveerimise nuppu ei ole vajutatud.	Vajutage korraks tööriistal olevat juhtmeta aktiveerimise nuppu.
	Tolmuimeja ooterežiimi lüliti ei ole seatud asendisse „AUTO“.	Seadke tolmuimeja ooterežiimi lüliti asendisse „AUTO“.
	Puudub toiteallikas	Varustage tööriist ja tolmuimeja toiteallikaga.
Tööriista registreerimist / tööriista registreerimise tühistamist ei õnnestunud edukalt lõpetada.	Tööriista sisse ei ole juhtmeta seadet paigaldatud. Juhtmeta seade on tööriista sisse valesti paigaldatud.	Paigaldage juhtmeta seade õigesti.
	Juhtmeta seadme klemm ja/või pesa on määrduanud.	Pühkige juhtmeta seadme klemmilt ettevaatlikult tolm ja mustus ning puhastage pesa.
	Tolmuimeja ooterežiimi lüliti ei ole seatud asendisse „AUTO“.	Seadke tolmuimeja ooterežiimi lüliti asendisse „AUTO“.
	Puudub toiteallikas	Varustage tööriist ja tolmuimeja toiteallikaga.
	Vale kasutamine	Vajutage korraks juhtmeta aktiveerimise nuppu ja tehke tööriista registreerimise/tühistamise toimingud uuesti.
	Tööriist ja tolmuimeja asuvad teineteisest liiga kaugel (on edastamise ulatusest väljas).	Viige tööriist ja tolmuimeja üksteisele lähemale. Maksimaalne ülekandekaugus on umbes 10 m, kuid see võib olenevalt asjaoludest varieeruda.
	Enne tööriista registreerimise/tühistamise lõpetamist; - tööriista lüliti päästik on tõmmatud või; - tolmuimeja toitenupp on sisse lülitatud.	Vajutage korraks juhtmeta aktiveerimise nuppu ja tehke tööriista registreerimise/tühistamise toimingud uuesti.
	Tööriista või tolmuimeja sidumistoiming on lõpetamata.	Tehke samal ajal nii tööriista kui ka tolmuimeja registreerimistoimingud.
	Teiste seadmete tekitatud raadiohäiring, mis tekitab väga intensiivseid raadiolaineid.	Hoidke tööriista ja tolmuimejat WiFi-seadmetest ja mikrolaineahjust eemal.
	Tolmuimeja ei tööta tööriista lüliti kaudu.	Tööriista sisse ei ole juhtmeta seadet paigaldatud. Juhtmeta seade on tööriista sisse valesti paigaldatud.
Juhtmeta seadme klemm ja/või pesa on määrduanud.		Pühkige juhtmeta seadme klemmilt ettevaatlikult tolm ja mustus ning puhastage pesa.
Tööriistal olevat juhtmeta aktiveerimise nuppu ei ole vajutatud.		Vajutage korraks juhtmeta aktiveerimise nuppu ja veenduge, et juhtmeta aktiveerimise tuli vilguks siniselt.
Tolmuimeja ooterežiimi lüliti ei ole seatud asendisse „AUTO“.		Seadke tolmuimeja ooterežiimi lüliti asendisse „AUTO“.
Tolmuimejaga on seotud üle 10 tööriista.		Tehke registreerimistoiming uuesti. Kui tolmuimejaga on seotud üle 10 tööriista, siis kõige esimesena registreeritud tööriista sidumine tühistatakse automaatselt.
Tolmuimeja kustutas kõik registreeritud tööriistad.		Registreerige tööriist uuesti.
Puudub toiteallikas		Varustage tööriist ja tolmuimeja toiteallikaga.
Tööriist ja tolmuimeja asuvad teineteisest liiga kaugel (on edastamise ulatusest väljas).		Viige tööriist ja tolmuimeja üksteisele lähemale. Maksimaalne ülekandekaugus on umbes 10 m, kuid see võib olenevalt asjaoludest varieeruda.
Teiste seadmete tekitatud raadiohäiring, mis tekitab väga intensiivseid raadiolaineid.		Hoidke tööriista ja tolmuimejat WiFi-seadmetest ja mikrolaineahjust eemal.
Tolmuimeja töötab ajal, kui tööriista lüliti päästik on tõmmata.	Lülitage teiste tööriistade juhtmeta aktiveerimise nupp välja või tühistage teiste tööriistade registreerimine.	

HOOLDUS

⚠ETTEVAATUST: Enne kontroll- või hooldus- toimingute tegemist kandke alati hoolt selle eest, et tööriist oleks välja lülitatud ja akukassett korpuse küljest eemaldatud.

TÄHELEPANU: Ärge kunagi kasutage bensiini, vedeldit, alkoholi ega midagi muud sarnast. Selle tulemuseks võib olla luitumine, deformatsioon või pragunemine.

Toote OHUTUSE ja TÖÖKINDLUSE tagamiseks tuleb vajalikud remonttööd, muud hooldus- ja reguleerimistööd lasta teha Makita volitatud teeninduskeskustes. Alati tuleb kasutada Makita varuosi.

Ventilatsiooniava puhastamine

Tööriist ja selle ventilatsiooniavad peavad olema puhtad. Puhastage tööriista ventilatsiooniavasid regulaarselt või siis, kui need hakkavad ummistuma.

► **Joon.44:** 1. Väljalaskeava 2. Sisselaskeava

Eemaldage ventilatsiooniavalt tolmukate ja puhastage seda, et tagada sujuv õhuringlus.

► **Joon.45:** 1. Tolmukate

TÄHELEPANU: Puhastage tolmukatet, kui see on tolmu või võõrkehadega ummistunud. Töö jätkamine ummistunud tolmukatega võib tööriista kahjustada.

VALIKULISED TARVIKUD

⚠ETTEVAATUST: Neid tarvikuid ja lisaseadiseid on soovitatav kasutada koos Makita tööriistaga, mille kasutamist selles kasutusjuhendis kirjeldatakse. Muude tarvikute ja lisaseadiste kasutamisega kaasneb vigastada saamise oht. Kasutage tarvikuid ja lisaseadiseid ainult otstarbekohaselt.

Saate vajaduse korral kohalikust Makita teeninduskeskusest lisateavet nende tarvikute kohta.

• Makita algupärane aku ja laadija

► **Joon.46**

-	100 mm mudel	115 mm mudel	125 mm mudel
1	Käepide 36		
2	Kettakaitse (lihvketas)		
3	Siseäärik		
4	Nõgusa keskosaga ketas / lamellketas		
5	Fiksaatormutter		
6	Tugipadi		
7	Painduv ketas		
8	Siseäärik ja kummist tugiketas 76	Kummist tugiketas nr 100	Kummist tugiketas nr 115
9	Lihvketas		
10	Lihvimise fiksaatormutter		
11	Ketastraathari		
12	Kausshari Terasharjad		
13	Kettakaitse (löikeketas) *1		
14	Lihv-/teemantketas		
15	Tolmuemaldusega kettakaitse		
-	Fiksaatormutri võti		

MÄRKUS: *1 Osas Euroopa riikides võib teemantketa kasutamisel kasutada tavalist kaitsekate, mitte mõlemat ketta külge varjavat spetsiaalset kaitsekate. Järgige oma riigis kehtivaid eeskirju.

MÄRKUS: Mõned nimekirjas loetletud tarvikud võivad kuuluda standardvarustusse ning need on lisatud tööriista pakendisse. Need võivad riigiti erineda.

ТЕХНИЧЕСКИЕ ХАРАКТЕРИСТИКИ

Модель:	GA027G	GA028G	GA029G	GA030G	GA031G	GA032G	
Диаметр диска	100 мм (4 дюйма)	115 мм (4-1/2 дюйма)	125 мм (5 дюйма)	100 мм (4 дюйма)	115 мм (4-1/2 дюйма)	125 мм (5 дюйма)	
Макс. толщина диска	6,4 мм	7,2 мм		6,4 мм	7,2 мм		
Резьба шпинделя	M10	M14 или 5/8 дюйма (в зависимости от страны)		M10	M14 или 5/8 дюйма (в зависимости от страны)		
Номинальное число оборотов (n)	8 500 мин ⁻¹						
Общая длина	с BL4025						413 мм
	с BL4040						425 мм
Масса нетто	2,9–3,4 кг	3,0–3,6 кг	3,0–4,5 кг	2,8–3,4 кг	2,9–3,6 кг	3,0–4,4 кг	
Номинальное напряжение	36–40 В пост. тока макс.						

- Благодаря нашей постоянно действующей программе исследований и разработок указанные здесь технические характеристики могут быть изменены без предварительного уведомления.
- Технические характеристики могут различаться в зависимости от страны.
- Масса может отличаться в зависимости от дополнительного оборудования. Обратите внимание, что блок аккумулятора также считается дополнительным оборудованием. В таблице представлены комбинации с наибольшим и наименьшим весом в соответствии с процедурой EPTA 01/2014.

Подходящий блок аккумулятора и зарядное устройство

Блок аккумулятора	BL4025 / BL4040
Зарядное устройство	DC40RA

- В зависимости от региона проживания некоторые блоки аккумуляторов и зарядные устройства, перечисленные выше, могут быть недоступны.

⚠ОСТОРОЖНО: Используйте только перечисленные выше блоки аккумуляторов и зарядные устройства. Использование других блоков аккумуляторов и зарядных устройств может привести к травме и/или пожару.

Назначение

Инструмент предназначен для шлифовки, зачистки (в том числе проволочной щеткой) и резки материалов из металла и камня без использования воды.

Шум

Типичный уровень взвешенного звукового давления (A), измеренный в соответствии с EN60745-2-3:

Модель	Уровень звукового давления (L _{ра}): (дБ (A))	Уровень звуковой мощности (L _{WA}): (дБ (A))	Погрешность (K): (дБ (A))
GA027G	81	92	3
GA028G	81	92	3
GA029G	82	93	3
GA030G	81	92	3
GA031G	81	92	3
GA032G	82	93	3

ПРИМЕЧАНИЕ: Заявленное значение распространения шума измерено в соответствии со стандартной методикой испытаний и может быть использовано для сравнения инструментов.

ПРИМЕЧАНИЕ: Заявленное значение распространения шума можно также использовать для предварительных оценок воздействия.

⚠ОСТОРОЖНО: Используйте средства защиты слуха.

⚠ОСТОРОЖНО: Распространение шума во время фактического использования электроинструмента может отличаться от заявленного значения в зависимости от способа применения инструмента и в особенности от типа обрабатываемой детали.

⚠ОСТОРОЖНО: Обязательно определите меры безопасности для защиты оператора, основанные на оценке воздействия в реальных условиях использования (с учетом всех этапов рабочего цикла, таких как выключение инструмента, работа без нагрузки и включение).

Вибрация

Суммарное значение вибрации (сумма векторов по трем осям), определенное в соответствии с EN60745-2-3:

Рабочий режим: шлифование поверхности с использованием обычной боковой ручки

Модель	Распространение вибрации ($a_{h, AG}$): (m/c^2)	Погрешность (K): (m/c^2)
GA027G	4,5	1,5
GA028G	5,0	1,5
GA029G	6,0	1,5
GA030G	4,5	1,5
GA031G	5,0	1,5
GA032G	6,0	1,5

Рабочий режим: шлифование поверхности с использованием antivибрационной боковой ручки

Модель	Распространение вибрации ($a_{h, AG}$): (m/c^2)	Погрешность (K): (m/c^2)
GA027G	4,5	1,5
GA028G	5,0	1,5
GA029G	6,5	1,5
GA030G	4,5	1,5
GA031G	5,0	1,5
GA032G	6,5	1,5

Рабочий режим: шлифование с использованием обычной боковой ручки

Модель	Распространение вибрации ($a_{h, AG}$): (m/c^2)	Погрешность (K): (m/c^2)
GA027G	2,5 m/c^2 или меньше	1,5
GA028G	2,5	1,5
GA029G	3,0	1,5
GA030G	2,5 m/c^2 или меньше	1,5
GA031G	2,5	1,5
GA032G	3,0	1,5

Рабочий режим: шлифование с использованием antivибрационной боковой ручки

Модель	Распространение вибрации ($a_{h, AG}$): (m/c^2)	Погрешность (K): (m/c^2)
GA027G	2,5 m/c^2 или меньше	1,5
GA028G	2,5	1,5
GA029G	3,0	1,5
GA030G	2,5 m/c^2 или меньше	1,5
GA031G	2,5	1,5
GA032G	3,0	1,5

ПРИМЕЧАНИЕ: Заявленное общее значение распространения вибрации измерено в соответствии со стандартной методикой испытаний и может быть использовано для сравнения инструментов.

ПРИМЕЧАНИЕ: Заявленное общее значение распространения вибрации можно также использовать для предварительных оценок воздействия.

⚠ОСТОРОЖНО: Распространение вибрации во время фактического использования электроинструмента может отличаться от заявленного значения в зависимости от способа применения инструмента и в особенности от типа обрабатываемой детали.

⚠ОСТОРОЖНО: Обязательно определите меры безопасности для защиты оператора, основанные на оценке воздействия в реальных условиях использования (с учетом всех этапов рабочего цикла, таких как выключение инструмента, работа без нагрузки и включение).

⚠ОСТОРОЖНО: Заявленное значение распространения вибрации относится к основным операциям, выполняемым с помощью электроинструмента. Однако если электроинструмент используется для других целей, уровень вибрации может отличаться.

Декларация о соответствии ЕС

Только для европейских стран

Декларация о соответствии ЕС включена в руководство по эксплуатации (Приложение А).

МЕРЫ БЕЗОПАСНОСТИ

Общие рекомендации по технике безопасности для электроинструментов

⚠ОСТОРОЖНО: Ознакомьтесь со всеми представленными инструкциями по технике безопасности, указаниями, иллюстрациями и техническими характеристиками, прилагаемыми к данному электроинструменту. Несоблюдение каких-либо инструкций, указанных ниже, может привести к поражению электрическим током, пожару и/или серьезной травме.

Сохраните брошюру с инструкциями и рекомендациями для дальнейшего использования.

Термин "электроинструмент" в предупреждениях относится ко всему инструменту, работающему от сети (с проводом) или на аккумуляторах (без провода).

Правила техники безопасности при эксплуатации аккумуляторной шлифовальной машины

Общие предупреждения о правилах техники безопасности при выполнении шлифования, зачистки проволочной щеткой или абразивной резки:

1. Данный электроинструмент предназначен для шлифования, зачистки проволочной щеткой и абразивной резки. Ознакомьтесь со всеми представленными инструкциями по технике безопасности, указаниями, иллюстрациями и техническими характеристиками, прилагаемыми к данному электроинструменту. Несоблюдение каких-либо инструкций, указанных ниже, может привести к поражению электрическим током, пожару и/или серьезной травме.
2. Не рекомендуется пользоваться данным инструментом для выполнения таких операций, как полировка. Использование инструмента не по прямому назначению может привести к опасной ситуации и стать причиной травмы.

3. Не используйте принадлежности других производителей, не рекомендованные производителем данного инструмента. Даже если принадлежность удастся закрепить на инструменте, это не обеспечит безопасность эксплуатации.
4. Номинальная скорость принадлежности должна быть как минимум равна максимальной скорости, обозначенной на инструменте. При превышении номинальной скорости принадлежности она может разломиться на части.
5. Внешний диаметр и толщина принадлежности должны соответствовать номинальной мощности инструмента. Принадлежности, размер которых подобран неверно, не гарантируют безопасности и точности управления.
6. Резьбовые отверстия дополнительных принадлежностей должны совпадать с резьбой шпинделя шлифмашины. Для принадлежностей, устанавливаемых с помощью фланцев, отверстие для шпинделя на принадлежности должно соответствовать диаметру фланца. Принадлежности, не соответствующие монтажному креплению электроинструмента, приведут к разбалansirовке, сильной вибрации и потере контроля.
7. Не используйте поврежденные принадлежности. Перед каждым использованием принадлежностей типа абразивных дисков проверяйте их на наличие сколов и трещин, проверяйте опорные фланцы на наличие трещин, задиrow или чрезмерного износа, а проволочные щетки - на наличие выпавших или сломанных проволок. Если вы уронили инструмент или принадлежность, осмотрите их на предмет повреждений или установите исправную принадлежность. После осмотра и установки принадлежности встаньте в безопасном положении относительно плоскости вращения принадлежности (и проследите, чтобы это сделали окружающие) и включите инструмент на максимальной скорости без нагрузки на одну минуту. Поврежденная принадлежность обычно ломается в течение пробного периода.
8. Надевайте индивидуальные средства защиты. В зависимости от выполняемых операций используйте защитную маску или защитные очки. При необходимости надевайте респиратор, средство защиты органов слуха, перчатки и защитный передник для защиты от небольших частиц абразивных материалов или детали. Средства защиты органов зрения должны предохранять от летящих фрагментов, появляющихся при выполнении различных операций. Пылезащитная маска или респиратор должны обеспечивать фильтрацию пыли, возникающей во время работы. Продолжительное воздействие сильного шума может стать причиной потери слуха.

9. Посторонние лица должны находиться на безопасном расстоянии от рабочей зоны. Любой приближающийся к рабочему месту человек должен предварительно надеть индивидуальные средства защиты. Осколки заготовки или сломавшейся принадлежности могут разлететься и причинить травму даже на значительном удалении от рабочего места.
10. Если при выполнении работ существует риск контакта режущего инструмента со скрытой электропроводкой, держите электроинструмент только за специально предназначенные изолированные поверхности. Контакт с проводом под напряжением приведет к тому, что металлические детали инструмента также будут под напряжением, что приведет к поражению оператора электрическим током.
11. **Не кладите инструмент, пока принадлежность полностью не остановится.** Вращающаяся насадка может коснуться поверхности, и вы не удержите инструмент.
12. **Не включайте инструмент во время переноски.** Случайный контакт с вращающейся принадлежностью может привести к защемлению одежды и притягиванию принадлежности к телу.
13. **Регулярно прочищайте вентиляционные отверстия инструмента.** Вентилятор электродвигателя засасывает пыль внутрь корпуса, а значительные отложения металлической пыли могут привести к поражению электрическим током.
14. **Не используйте инструмент вблизи горючих материалов.** Эти материалы могут воспламениться от искр.
15. **Не используйте принадлежности, требующие жидкостного охлаждения.** Использование воды или других охлаждающих жидкостей может привести к поражению электротоком.

Отдача и соответствующие предупреждения
 Отдача – это мгновенная реакция на неожиданное застопоривание вращающегося диска, опорной подушки, щетки или другой принадлежности. Зажимание или застопоривание вызывает резкий останов вращающейся принадлежности, что, в свою очередь, приводит к неконтролируемому рывку инструмента в направлении, противоположном вращению принадлежности в момент застревания. Например, если абразивный диск зажимается или прихватывается деталью, край диска, находящийся в точке заклинивания, может углубиться в поверхность детали, что приведет к выкатыванию или выскакиванию диска. Диск может совершить рывок в направлении оператора или обратно, в зависимости от направления перемещения диска в точке заклинивания. Также в этих условиях абразивные диски могут сломаться.

Отдача – это результат неправильного использования электроинструмента и/или неправильных методов или условий работ, чего можно избежать, соблюдая нижеуказанные меры предосторожности.

1. **Крепко держите электроинструмент и располагайте свое тело и руки так, чтобы можно было сопротивляться силам отдачи. Обязательно пользуйтесь вспомогательной рукояткой (при наличии), чтобы обеспечить максимальный контроль над отдачей или крутящим моментом во время пуска.** Оператор способен справиться с крутящим моментом и силами отдачи при условии соблюдения соответствующих мер безопасности.

2. **Берегите руки от вращающейся насадки.** При отдаче насадка может задеть ваши руки.
3. **Не становитесь на возможной траектории движения инструмента в случае отдачи.** При отдаче инструмент сместится в направлении, противоположном вращению диска в момент застревания.
4. **Соблюдайте особую осторожность при обработке углов, острых краев и т. п. Не допускайте ударов и застревания принадлежности.** Углы, острые края и удары способствуют прихвату вращающейся принадлежности, которое приводит к выходу из-под контроля или отдаче.
5. **Не устанавливайте на инструмент пильную цепь, принадлежность для резбы по дереву или пильный диск.** Такие пилы часто дают отдачу и приводят к потере контроля.

Специальные предупреждения о безопасности для операций шлифования и абразивной резки:

1. **Используйте диски только рекомендованных для вашего электроинструмента типов и специальные защитные приспособления, разработанные для выбранного диска.** Диски, не предназначенные для данного инструмента, не обеспечивают достаточную степень защиты и небезопасны.
2. **Шлифовальная поверхность дисков с утопленным центром должна быть обновлена под плоской поверхностью кромки кожуха.** Для неправильно установленного диска, выступающего над плоской поверхностью кромки кожуха, надлежащая защита не гарантируется.
3. **Ограждение должно быть надежно закреплено на инструменте и расположено для обеспечения максимальной защиты таким образом, чтобы как можно меньший сегмент диска выступал наружу.** Кожух помогает обезопасить оператора от разлета осколков разорвавшегося диска, случайного прикосновения к диску и искр, которые могут воспламенить одежду.
4. **Диски должны использоваться только по рекомендованному назначению. Например: не шлифуйте краем отрезного диска.** Абразивные отрезные диски предназначены для периферийного шлифования, и боковые усилия, приложенные к таким дискам, могут вызвать их разрушение.
5. **Обязательно используйте неповрежденные фланцы для дисков соответствующего размера и формы.** Подходящие фланцы поддерживают диск, снижая вероятность его повреждения. Фланцы для отрезных дисков могут отличаться от фланцев для шлифовальных дисков.
6. **Не используйте изношенные диски от более крупных электроинструментов.** Диски, предназначенные для более мощного электроинструмента, не подходят для высокоскоростного электроинструмента меньшей мощности и могут разломиться.

Дополнительные специальные предупреждения и инструкции о безопасности для операций абразивной резки:

1. Не “заклинивайте” отрезной диск и не прикладывайте к нему чрезмерное давление. Не пытайтесь делать слишком глубокий разрез. Перенапряжение диска увеличивает нагрузку и вероятность искривления или застревания диска в прорези, а также отдачи или поломки диска.
2. Не становитесь на возможной траектории движения вращающегося диска и позади него. Если во время работы диск движется от вас, то при отдаче вращающийся диск и инструмент может отбросить прямо на вас.
3. Если диск застревает или процесс резания прерывается по другой причине, выключите электроинструмент и держите его неподвижно до полной остановки диска. Не пытайтесь извлечь отрезной диск из разреза до полной остановки диска, в противном случае может возникнуть отдача. Выясните и устраните причину застревания диска.
4. Не перезапускайте отрезной диск, пока он находится в детали. Дождитесь, пока диск разовьет максимальную скорость, и осторожно погрузите его в разрез. Диск может застрять, отдача может отбросить его вверх или назад, если перезапустить электроинструмент непосредственно в детали.
5. Устанавливайте опоры под панели или большие детали, чтобы уменьшить риск застревания диска и возникновения отдачи. Большие детали имеют тенденцию к прогибанию под собственным весом. При резании таких панелей необходимо поместить опоры под разрезаемую деталью рядом с линией разреза и рядом с краем детали с обеих сторон диска.
6. Будьте особенно осторожны при выполнении врезки в существующих стенах или на других участках, недоступных для осмотра. Выступающая часть диска может перерезать газовые или водопроводные трубы, электропроводку или детали, что может вызвать отдачу.

Специальные инструкции по технике безопасности для выполнения операций шлифовки:

1. Не пользуйтесь наждачной бумагой слишком большого размера. При выборе наждачной бумаги следуйте рекомендациям производителя. Большие размеры наждачной бумаги, выступающей за края подложки, могут привести к разрыву бумаги, застреванию, разрушению круга или отдаче.

Специальные инструкции по технике безопасности, относящиеся к операциям очистки проволочной щеткой:

1. Берегитесь проволоч, которые разлетаются от щетки даже в нормальном режиме работы. Не прикладывайте чрезмерное усилие на проволоку, слишком сильно нажимая на щетку. Проволока щетки может легко пробить одежду и/или кожу.
2. Если для работы по очистке проволочными щетками рекомендуется использовать кожаную, не допускайте контакта проволочного диска или щетки с кожухом. Проволочный диск или щетка могут увеличиваться в диаметре под воздействием нагрузки и центробежных сил.

Дополнительные правила техники безопасности:

1. При применении дисков с утопленным центром используйте только диски, армированные стекловолокном.
2. ЗАПРЕЩАЕТСЯ ИСПОЛЬЗОВАТЬ с этим инструментом шлифовальные чашки для камня. Данная шлифмашинка не предназначена для дисков такого типа, их использование может привести к тяжелой травме.
3. Будьте осторожны во избежание повреждения шпинделя, фланца (особенно его установочной поверхности) или контргайки. Повреждения этих деталей могут привести к поломке диска.
4. Перед включением выключателя убедитесь, что диск не касается детали.
5. Перед использованием инструмента на реальной детали дайте ему немного поработать холостую. Следите за вибрацией или биением, которые могут свидетельствовать о неправильной установке или плохой балансировке диска.
6. Для выполнения шлифования пользуйтесь соответствующей поверхностью диска.
7. Не оставляйте работающий инструмент без присмотра. Включайте инструмент только тогда, когда он находится в руках.
8. Сразу после окончания работ не прикасайтесь к обработанной детали. Она может быть очень горячей, что приведет к ожогу кожи.
9. Сразу после окончания работ не прикасайтесь к вспомогательным деталям. Они могут быть очень горячими, что приведет к ожогу кожи.
10. Соблюдайте инструкции изготовителя по правильной установке и использованию дисков. Бережно обращайтесь с дисками и аккуратно храните их.
11. Не пользуйтесь отдельными переходными втулками или адаптерами для крепления абразивных дисков с большими отверстиями.
12. Пользуйтесь только фланцами, предназначенными для данного инструмента.
13. Для инструментов, предназначенных для использования дисков с резьбовым отверстием, убедитесь, что резба диска достаточна, чтобы диск можно было полностью завернуть на шпиндель.
14. Убедитесь, что обрабатываемая деталь имеет надлежащую опору.
15. Обратите внимание на то, что диск будет некоторое время вращаться после выключения инструмента.
16. Если в месте выполнения работ очень высокая температура и влажность или наблюдается большое количество токопроводящей пыли, используйте прерыватель цепи (30 мА) для обеспечения безопасности работ.
17. Не используйте инструмент на любых материалах, содержащих асбест.
18. При использовании отрезного диска, всегда работайте с защитным кожухом с патрубком для удаления пыли, установка которого необходима в соответствии с местными нормативными требованиями.

19. Не подвергайте отрезные круги какому-либо боковому давлению.
20. Не пользуйтесь тканевыми перчатками во время работы. Волокна от тканевых перчаток могут попасть в инструмент и привести к его поломке.

СОХРАНИТЕ ДАННЫЕ ИНСТРУКЦИИ.

⚠ОСТОРОЖНО: НЕ ДОПУСКАЙТЕ, чтобы удобство или опыт эксплуатации данного устройства (полученный от многократного использования) доминировали над строгим соблюдением правил техники безопасности при обращении с этим устройством. **НЕПРАВИЛЬНОЕ ИСПОЛЬЗОВАНИЕ** инструмента или несоблюдение правил техники безопасности, указанных в данном руководстве, может привести к тяжелой травме.

Важные правила техники безопасности для работы с аккумуляторным блоком

1. Перед использованием аккумуляторного блока прочитайте все инструкции и предупреждающие надписи на (1) зарядном устройстве, (2) аккумуляторном блоке и (3) инструменте, работающем от аккумуляторного блока.
2. Не разбирайте блок аккумулятора и не меняйте его конструкцию. Это может привести к пожару, перегреву или взрыву.
3. Если время работы аккумуляторного блока значительно сократилось, немедленно прекратите работу. В противном случае, может возникнуть перегрев блока, что приведет к ожогам и даже к взрыву.
4. В случае попадания электролита в глаза промойте их обильным количеством чистой воды и немедленно обратитесь к врачу. Это может привести к потере зрения.
5. Не замыкайте контакты аккумуляторного блока между собой:
 - (1) Не прикасайтесь к контактам какими-либо токопроводящими предметами.
 - (2) Не храните аккумуляторный блок в контейнере вместе с другими металлическими предметами, такими как гвозди, монеты и т. п.
 - (3) Не допускайте попадания на аккумуляторный блок воды или дождя.Замыкание контактов аккумуляторного блока между собой может привести к возникновению большого тока, перегреву, возможным ожогам и даже поломке блока.
6. Не храните и не используйте инструмент и аккумуляторный блок в местах, где температура может достигать или превышать 50 °C (122 °F).

7. Не бросайте аккумуляторный блок в огонь, даже если он сильно поврежден или полностью вышел из строя. Аккумуляторный блок может взорваться под действием огня.
8. Запрещено вбивать гвозди в блок аккумулятора, резать, ломать, бросать, ронять блок аккумулятора или ударять его твердым предметом. Это может привести к пожару, перегреву или взрыву.
9. Не используйте поврежденный аккумуляторный блок.
10. Входящие в комплект литий-ионные аккумуляторы должны эксплуатироваться в соответствии с требованиями законодательства об опасных товарах.
При коммерческой транспортировке, например, третьей стороной или экспедитором, необходимо нанести на упаковку специальные предупреждения и маркировку.
В процессе подготовки устройства к отправке обязательно проконсультируйтесь со специалистом по опасным материалам. Также соблюдайте местные требования и нормы. Они могут быть строже.
Закройте или закрепите разомкнутые контакты и упакуйте аккумулятор так, чтобы он не перемещался по упаковке.
11. Для утилизации блока аккумулятора извлеките его из инструмента и утилизируйте безопасным способом. Выполняйте требования местного законодательства по утилизации аккумуляторного блока.
12. Используйте аккумуляторы только с продукцией, указанной Makita. Установка аккумуляторов на продукцию, не соответствующую требованиям, может привести к пожару, перегреву, взрыву или утечке электролита.
13. Если инструментом не будут пользоваться в течение длительного периода времени, извлеките аккумулятор из инструмента.
14. Во время и после использования блок аккумулятора может нагреваться, что может стать причиной ожогов или низкотемпературных ожогов. Будьте осторожны при обращении с горячим блоком аккумулятора.
15. Не прикасайтесь к контактам инструмента сразу после использования, поскольку они могут быть достаточно горячими, чтобы вызвать ожоги.
16. Не допускайте, чтобы обломки, пыль или земля прилипали к контактам, отверстиям и пазам на блоке аккумулятора. Это может привести к снижению эксплуатационных параметров, поломке инструмента или блока аккумулятора.
17. Если инструмент не рассчитан на использование вблизи высоковольтных линий электропередач, не используйте блок аккумулятора вблизи высоковольтных линий электропередач. Это может привести к неисправности, поломке инструмента или блока аккумулятора.

СОХРАНИТЕ ДАННЫЕ ИНСТРУКЦИИ.

ВНИМАНИЕ: Используйте только фирменные аккумуляторные батареи Makita. Использование аккумуляторных батарей, не произведенных Makita, или батарей, которые были подвергнуты модификациям, может привести к взрыву аккумулятора, пожару, травмам и повреждению имущества. Это также автоматически аннулирует гарантию Makita на инструмент и зарядное устройство Makita.

Советы по обеспечению максимального срока службы аккумулятора

1. Заряжайте блок аккумуляторов перед его полной разрядкой. Обязательно прекратите работу с инструментом и зарядите блок аккумуляторов, если вы заметили снижение мощности инструмента.
2. Никогда не подзаряжайте полностью заряженный блок аккумуляторов. Перезарядка сокращает срок службы аккумулятора.
3. Заряжайте блок аккумуляторов при комнатной температуре в 10 - 40 °C (50 - 104 °F). Перед зарядкой горячего блока аккумуляторов дайте ему остыть.
4. Если блок аккумулятора не используется, извлеките его из инструмента или зарядного устройства.
5. Зарядите ионно-литиевый аккумуляторный блок, если вы не будете пользоваться инструментом длительное время (более нескольких месяцев).

Важные правила техники безопасности для работы с беспроводным блоком

1. Не разбирайте и не меняйте конструкцию беспроводного блока.
2. Храните беспроводной блок в недоступном для детей месте. При случайном проглатывании немедленно обратитесь к врачу.
3. Используйте беспроводной блок только с инструментами Makita.
4. Не подвергайте беспроводной блок воздействию дождя или влаги.
5. Не используйте беспроводной блок в тех местах, где температура превышает 50 °C.
6. Не используйте беспроводной блок в тех местах, где поблизости могут находиться медицинские инструменты, например, кардиостимуляторы.
7. Не используйте беспроводной блок в тех местах, где могут находиться автоматизированные устройства. При использовании автоматизированных устройств могут возникнуть сбои или ошибки.
8. Не используйте беспроводной блок в местах, где он может подвергаться воздействию высокой температуры, статического электричества или электрических помех.
9. Беспроводной блок может создавать электромагнитные поля (EMF), которые не представляют опасности для пользователя.
10. Беспроводной блок является точным инструментом. Не роняйте и не ударяйте беспроводной блок.

11. Не прикасайтесь к клемме беспроводного блока голыми руками или металлическими предметами.
12. Во время установки беспроводного блока обязательно вытаскивайте аккумулятор из устройства.
13. Не открывайте крышку гнезда в таких местах, где в него может попасть пыль и вода. Входное отверстие гнезда всегда должно быть чистым.
14. Обязательно вставляйте беспроводной блок в правильном направлении.
15. Не нажимайте слишком сильно кнопку активации на беспроводном блоке и/или не нажимайте кнопку, используя объекты с острым краем.
16. Во время работы обязательно закрывайте крышку гнезда.
17. Не вытаскивайте беспроводной блок из гнезда, если на инструмент подано питание. Это может привести к неисправной работе беспроводного блока.
18. Не снимайте наклейку с беспроводного блока.
19. Не приклеивайте к беспроводному блоку никаких наклеек.
20. Не оставляйте беспроводной блок в таких местах, где может скапливаться статическое электричество или присутствовать электрические помехи.
21. Не оставляйте беспроводной блок в местах с высокой температурой, например на сиденье автомобиля в жару.
22. Не оставляйте беспроводной блок в местах, где присутствует пыль или порошок, или может образоваться коррозионный газ.
23. Внезапное изменение температуры может привести к образованию конденсата на беспроводном блоке. Не используйте беспроводной блок до тех пор, пока конденсат полностью не высохнет.
24. При чистке беспроводного блока аккуратно протрите его сухой мягкой тканью. Не используйте бензин, разбавитель, проводящую смазку или аналогичные материалы.
25. При хранении беспроводного блока поместите его в поставляемый футляр или в контейнер без статического электричества.
26. Не вставляйте в гнездо на инструменте никаких других устройств, кроме беспроводного блока Makita.
27. Не используйте инструмент с поврежденной крышкой гнезда. В гнездо может попасть вода, пыль и грязь, это может привести к неисправности.
28. Не тяните и/или не скручивайте крышку гнезда сильнее, чем это необходимо. Если крышка отсоединилась от инструмента, установите ее на место.
29. Замените крышку гнезда, если она утеряна или повреждена.

СОХРАНИТЕ ДАННЫЕ ИНСТРУКЦИИ.

ОПИСАНИЕ РАБОТЫ

ВНИМАНИЕ: Перед регулировкой или проверкой функций инструмента обязательно убедитесь, что он выключен и его аккумуляторный блок снят.

Установка или снятие блока аккумуляторов

ВНИМАНИЕ: Обязательно выключайте инструмент перед установкой и извлечением аккумуляторного блока.

ВНИМАНИЕ: При установке и извлечении аккумуляторного блока крепко удерживайте инструмент и аккумуляторный блок. Если не соблюдать это требование, они могут выскользнуть из рук, что приведет к повреждению инструмента, аккумуляторного блока и травмированию оператора.

► **Рис.1:** 1. Красный индикатор 2. Кнопка 3. Блок аккумулятора

Для снятия аккумуляторного блока нажмите кнопку на лицевой стороне и извлеките блок.

Для установки аккумуляторного блока совместите выступ аккумуляторного блока с пазом в корпусе и задвиньте его на место. Устанавливайте блок до упора так, чтобы он зафиксировался на месте с небольшим щелчком. Если вы можете видеть красный индикатор на верхней части клавиши, адаптер аккумулятора не полностью установлен на месте.

ВНИМАНИЕ: Обязательно устанавливайте аккумуляторный блок до конца, чтобы красный индикатор не был виден. В противном случае аккумуляторный блок может выпасть из инструмента и нанести травму вам или другим людям.

ВНИМАНИЕ: Не прилагайте чрезмерных усилий при установке аккумуляторного блока. Если блок не двигается свободно, значит он вставлен неправильно.

Индикация оставшегося заряда аккумулятора

Нажмите кнопку проверки на аккумуляторном блоке для проверки заряда. Индикаторы загорятся на несколько секунд.

► **Рис.2:** 1. Индикаторы 2. Кнопка проверки

Индикаторы			Уровень заряда
Горит	Выкл.	Мигает	
■	□	▬	от 75 до 100%
■ ■ ■ ■	□	□	
■ ■ ■	□	□	от 50 до 75%
■ ■	□	□	от 25 до 50%
■	□	□	от 0 до 25%
▬	□	□	Зарядите аккумуляторную батарею.

Индикаторы			Уровень заряда
Горит	Выкл.	Мигает	
■	□	▬	Возможно, аккумуляторная батарея неисправна.
■ ■ □	□	□	
□	□	■ ■	

ПРИМЕЧАНИЕ: В зависимости от условий эксплуатации и температуры окружающего воздуха индикация может незначительно отличаться от фактического значения.

Система защиты инструмента/аккумулятора

На инструменте предусмотрена система защиты инструмента/аккумулятора. Она автоматически отключает питание двигателя для продления срока службы инструмента и аккумулятора. Инструмент автоматически остановится во время работы в следующих случаях:

Защита от перегрузки

Если из-за способа эксплуатации инструмент/аккумулятор потребляет очень большое количество тока, он автоматически остановится без включения каких-либо индикаторов. В этом случае выключите инструмент и прекратите работу, повлекшую перегрузку инструмента. Затем включите инструмент для перезапуска.

Защита от перегрева

При перегреве инструмента/аккумулятора инструмент останавливается автоматически. Дайте инструменту остыть перед возобновлением работы.

Защита от переразрядки

При истощении емкости аккумулятора инструмент автоматически останавливается. В этом случае извлеките аккумулятор из инструмента и зарядите его.

Выключение защитной блокировки

Если постоянно срабатывает защитная система, инструмент блокируется. В этой ситуации инструмент не запустится даже при выключении и повторном включении. Чтобы выключить защитную блокировку, извлеките аккумулятор, установите его в зарядное устройство и дождитесь окончания зарядки.

Фиксатор вала

Нажмите на фиксатор вала для предотвращения вращения шпинделя при установке или снятии дополнительных принадлежностей.

► **Рис.3:** 1. Фиксатор вала

ПРИМЕЧАНИЕ: Никогда не задействуйте фиксатор вала при вращающемся шпинделе. Это может привести к повреждению инструмента.

Действие выключателя

ВНИМАНИЕ: Перед установкой блока аккумулятора в инструмент обязательно убедиться, что его рычаг переключателя нормально работает и возвращается в положение "OFF" (ВЫКЛ.) при отпускании.

ВНИМАНИЕ: В целях безопасности инструмент оснащен рычагом блокировки в выключенном положении, который предотвращает случайное включение инструмента. ЗАПРЕЩЕНО использовать инструмент, если он включается после нажатия рычага переключателя без нажатия рычага разблокировки. ПРЕКРАТИТЕ использование инструмента и передайте его в авторизованный сервисный центр для надлежащего ремонта.

ВНИМАНИЕ: Не давите сильно на рычаг переключателя, не нажав на рычаг разблокировки. Это может привести к поломке переключателя.

ВНИМАНИЕ: ЗАПРЕЩЕНО фиксировать рычаг разблокировки при помощи липкой ленты и вносить изменения в его конструкцию.

► Рис.4: 1. Рычаг разблокировки 2. Рычаг переключателя

Для предотвращения случайного нажатия рычаг переключателя оборудован рычагом разблокировки. Для включения инструмента потяните рычаг разблокировки на себя и нажмите на рычаг переключателя. Для выключения инструмента отпустите рычаг переключателя.

Поворотный регулятор скорости

Скорость вращения инструмента можно настраивать, поворачивая регулятор скорости. В таблице ниже приведены порядковые номера регулировок и соответствующая им скорость вращения.

► Рис.5: 1. Поворотный регулятор скорости

Цифра	Скорость
1	3 000 мин ⁻¹
2	4 500 мин ⁻¹
3	6 000 мин ⁻¹
4	7 500 мин ⁻¹
5	8 500 мин ⁻¹

ПРИМЕЧАНИЕ: Если инструментом пользоваться непрерывно на низкой скорости в течение продолжительного времени, двигатель будет перегружен, что приведет к поломке инструмента.

ПРИМЕЧАНИЕ: Меняя настройку скорости инструмента со значения "5" на "1", поворачивайте регулятор скорости против часовой стрелки. Не прилагайте силу, чтобы повернуть регулятор скорости по часовой стрелке.

Функция предотвращения случайного запуска

При установке блока аккумулятора при нажатии рычага переключателя инструмент не запускается. Для включения инструмента предварительно освободите рычаг переключателя. Затем потяните рычаг разблокировки, после этого – рычаг переключателя.

Функция электронного контроля крутящего момента

С помощью электронного устройства инструмент определяет, что существует риск защемления диска или другой принадлежности. При выявлении таких рисков инструмент автоматически отключается для предотвращения дальнейшего вращения шпинделя (это не предотвращает отдачу).

Чтобы перезапустить инструмент, сначала отключите его. Устраните причину внезапного снижения скорости вращения и вновь включите инструмент.

Функция плавного запуска

Функция плавного запуска снижает начальный рывок инструмента.

Электрический тормоз

Только для модели GA027G / GA028G / GA029G

Электрический тормоз активируется после выключения инструмента.

Тормоз не активируется, если питание отключено (например при извлеченном аккумуляторе), а переключатель находится в положении Вкл.

СБОРКА

ВНИМАНИЕ: Перед регулировкой или проверкой функций инструмента обязательно убедитесь, что он выключен и его аккумуляторный блок снят.

Установка боковой ручки (рукоятки)

ВНИМАНИЕ: Перед работой всегда проверяйте надежность крепления боковой ручки.

Прочно закрепите боковую ручку на месте винтом, как показано на рисунке.

► Рис.6

Установка или снятие кожуха диска

⚠ОСТОРОЖНО: При использовании диска с утопленным центром, откидного круга, гибкого диска или дисковой проволочной щетки установите защитный кожух так, чтобы закрытая сторона кожуха была направлена к оператору.

⚠ОСТОРОЖНО: Убедитесь в том, что кожух диска надежно зафиксирован стопорным рычагом в одном из отверстий на кожухе диска.

⚠ОСТОРОЖНО: При использовании абразивного отрезного диска/алмазного диска может применяться только специальный защитный кожух, предназначенный для отрезных дисков.

(В некоторых странах Европы при использовании алмазного диска можно применять обычный кожух. Соблюдайте требования нормативов, действующих в вашей стране.)

Для диска с утопленным центром, откидного круга, гибкого диска, дисковой проволочной щетки / абразивного отрезного диска, алмазного диска

1. Удерживая нажатым стопорный рычаг, установите кожух диска, совместив выступы на кожухе диска с пазами на корпусе подшипника.
▶ **Рис.7:** 1. Стопорный рычаг 2. Паз 3. Выступ
2. Удерживая нажатым стопорный рычаг в направлении А, задвиньте кожух диска, удерживая в точках В, как показано на рисунке.
▶ **Рис.8:** 1. Кожух диска 2. Отверстие

ПРИМЕЧАНИЕ: Надавите на кожух диска в направлении вперед. В противном случае вы не сможете полностью вставить кожух диска.

3. Удерживая стопорный рычаг и кожух диска, как описано на этапе 2, поверните кожух диска в направлении С, после чего измените угол кожуха диска в соответствии с условиями работы.
▶ **Рис.9:** 1. Кожух диска 2. Отверстие

ПРИМЕЧАНИЕ: Полностью вдавите кожух диска. В противном случае вы не сможете повернуть кожух диска.

Для снятия кожуха диска выполните процедуру установки в обратном порядке.

Установка и снятие диска с утопленным центром или откидного круга

Дополнительные принадлежности

⚠ОСТОРОЖНО: При использовании диска с утопленным центром или откидного круга кожух диска должен быть установлен так, чтобы его закрытая сторона была обращена к оператору.

⚠ВНИМАНИЕ: Убедитесь, что крепежный компонент внутреннего фланца идеально совпадает с внутренним диаметром диска с утопленным центром/откидного круга. Установка внутреннего фланца не с той стороны может привести к возникновению опасной вибрации.

Установите на шпindelь внутренний фланец. Убедитесь, что часть с выемкой внутреннего фланца установлена на ровный участок у нижней части шпинделя. Установите диск с утопленным центром/откидной круг на внутренний фланец и закрутите контргайку на шпинделе.

- ▶ **Рис.10:** 1. Контргайка 2. Диск с утопленным центром 3. Внутренний фланец 4. Крепежный компонент

Для затяжки контргайки сильно надавите на фиксатор вала, чтобы шпindelь не проворачивался, затем воспользуйтесь ключом контргайки и крепко затяните ее по часовой стрелке.

- ▶ **Рис.11:** 1. Ключ контргайки 2. Фиксатор вала

Для снятия диска выполните процедуру установки в обратном порядке.

Установка и снятие гибкого диска

Дополнительные принадлежности

⚠ОСТОРОЖНО: При установке на инструмент гибкого диска обязательно используйте прилагаемый кожух. Во время работы диск может разрушиться. Защитный кожух снизит риск получения травмы.

- ▶ **Рис.12:** 1. Контргайка 2. Гибкий диск 3. Вспомогательная подушка 4. Внутренний фланец

Следуйте указаниям для диска с утопленным центром, а также установите над диском вспомогательную подушку. Порядок сборки дополнительных принадлежностей см. на соответствующей странице данного руководства.

Установка или снятие абразивного круга

Дополнительные принадлежности

ПРИМЕЧАНИЕ: Используйте принадлежности для шлифования, указанные в данном руководстве. Их необходимо приобретать отдельно.

Модель 100 мм (4 дюйма)

- ▶ **Рис.13:** 1. Шлифовальная контргайка 2. Абразивный круг 3. Резиновая подушка 4. Внутренний фланец

1. Установите на шпindelь внутренний фланец.
2. Установите резиновую подушку на шпindelь.
3. Установите круг на резиновую подушку и наворачивайте на шпindelь шлифовальную контргайку.
4. Закрепите шпindelь с помощью фиксатора вала и надежно затяните шлифовальную контргайку по часовой стрелке с помощью ключа.

Для снятия круга выполните процедуру установки в обратном порядке.

Для модели 115 мм (4 - 1/2 дюйма)/125 мм (5 дюймов)

► Рис.14: 1. Шлифовальная контргайка
2. Абразивный круг 3. Резиновая подушка

1. Установите резиновую подушку на шпиндель.
2. Установите круг на резиновую подушку и наверх на шпиндель шлифовальную контргайку.
3. Закрепите шпиндель с помощью фиксатора вала и надежно затяните шлифовальную контргайку по часовой стрелке с помощью ключа.

Для снятия круга выполните процедуру установки в обратном порядке.

Установка или снятие гайки Ezynut

Дополнительные принадлежности

▲ВНИМАНИЕ: Не используйте гайку Ezynut с быстрозажимным фланцем или угловой шлифовальной машиной, в конце модели которой указана буква «F». Толщина этих фланцев слишком велика, поэтому шпиндель не сможет удерживать всю резьбу.

► Рис.15: 1. Гайка Ezynut 2. Абразивный диск 3. Внутренний фланец 4. Шпиндель

Установите внутренний фланец, абразивный диск и гайку Ezynut на шпиндель таким образом, чтобы логотип «Makita» на гайке Ezynut был направлен наружу.

► Рис.16: 1. Фиксатор вала

Сильно нажмите на фиксатор вала и затяните гайку Ezynut, повернув абразивный диск по часовой стрелке до упора.

Чтобы ослабить гайку Ezynut, поверните ее внешнее кольцо против часовой стрелки.

► Рис.17: 1. Стрелка 2. Выемка

► Рис.18

ПРИМЕЧАНИЕ: Пока стрелка указывает на выемку, гайку Ezynut можно ослабить вручную. В противном случае необходим ключ для контргайки, чтобы ослабить ее. Вставьте один штифт ключа в отверстие и поверните Ezynut против часовой стрелки.

Установка абразивного отрезного/алмазного диска

Дополнительные принадлежности

▲ОСТОРОЖНО: При использовании абразивного отрезного диска/алмазного диска может применяться только специальный защитный кожух, предназначенный для отрезных дисков.

(В некоторых странах Европы при использовании алмазного диска можно применять обычный кожух. Соблюдайте требования нормативов, действующих в вашей стране.)

▲ОСТОРОЖНО: ЗАПРЕЩАЕТСЯ использовать отрезной диск для шлифовки боковой поверхностью.

► Рис.19: 1. Контргайка 2. Абразивный отрезной диск/алмазный диск 3. Внутренний фланец 4. Защитный кожух для абразивного отрезного диска/алмазного диска

Сведения по установке см. в инструкции к диску с утолщенным центром.

Направление установки контргайки и внутреннего фланца зависит от толщины и типа диска. Придерживайтесь следующих значений.

Модель 100 мм (4 дюйма)

При установке абразивного отрезного диска:

► Рис.20: 1. Контргайка 2. Абразивный отрезной диск (тоньше 4 мм (5/32 дюйма)) 3. Абразивный отрезной диск (4 мм (5/32 дюйма) или толще) 4. Внутренний фланец

При установке алмазного диска:

► Рис.21: 1. Контргайка 2. Алмазный диск (тоньше 4 мм (5/32 дюйма)) 3. Алмазный диск (4 мм (5/32 дюйма) или толще) 4. Внутренний фланец

Для модели 115 мм (4 - 1/2 дюйма)/125 мм (5 дюймов)

При установке абразивного отрезного диска:

► Рис.22: 1. Контргайка 2. Абразивный отрезной диск (тоньше 4 мм (5/32 дюйма)) 3. Абразивный отрезной диск (4 мм (5/32 дюйма) или толще) 4. Внутренний фланец

При установке алмазного диска:

► Рис.23: 1. Контргайка 2. Алмазный диск (тоньше 4 мм (5/32 дюйма)) 3. Алмазный диск (4 мм (5/32 дюйма) или толще) 4. Внутренний фланец

Установка чашечной проволочной щетки

Дополнительные принадлежности

▲ВНИМАНИЕ: Не используйте поврежденную или разбалансированную щетку. Использование поврежденной щетки может увеличить опасность получения травм от контакта с проволочкой.

► Рис.24: 1. Чашечная проволочная щетка

Извлеките блок аккумулятора из инструмента и положите шпинделем вверх, чтобы обеспечить легкий доступ к шпинделю.

Снимите со шпинделя все дополнительные принадлежности. Наверните проволочную чашечную щетку на шпиндель и затяните прилагаемым ключом.

Установка дисковой проволочной щетки

Дополнительные принадлежности

⚠ ВНИМАНИЕ: Не используйте поврежденную или разбалансированную дисковую проволочную щетку. Использование поврежденной дисковой проволочной щетки может увеличить риск получения травм от контакта с проволокой.

⚠ ВНИМАНИЕ: При работе с дисковой проволочной щеткой **ВСЕГДА** используйте защитную кожу, убедившись, что диаметр диска соответствует внутреннему диаметру кожуха. Во время работы диск может разрушиться. Защитный кожух снизит риск получения травмы.

► Рис.25: 1. Дисковая проволочная щетка

Извлеките блок аккумулятора из инструмента и положите шпиндель вверх, чтобы обеспечить легкий доступ к шпинделю. Снимите со шпинделя все дополнительные принадлежности. Установите дисковую проволочную щетку на шпиндель и затяните ее с помощью ключей.

Подключение пылесоса

Дополнительные принадлежности

⚠ ОСТОРОЖНО: Не используйте пылесос для удаления металлических частиц, образовавшихся в результате шлифования/резки/зачистки. Металлические частицы, образованные в результате таких операций, настолько горячие, что от них может произойти возгорание пыли и фильтра внутри пылесоса.

Чтобы избежать высокой запыленности, образующейся в результате резки каменной кладки, используйте кожух шлифовального диска с пылеотводом и пылесос.

См. руководство по сборке и эксплуатации, прилагаемое к кожуху шлифовального диска с пылеотводом.

► Рис.26: 1. Кожух шлифовального диска с пылеотводом 2. Шланг пылесоса

ЭКСПЛУАТАЦИЯ

⚠ ОСТОРОЖНО: Никогда не прилагайте к инструменту чрезмерные усилия. Вес инструмента обеспечивает достаточное давление. Чрезмерное усилие и давление могут привести к опасному разрушению диска.

⚠ ОСТОРОЖНО: ОБЯЗАТЕЛЬНО замените диск, если при шлифовании инструмент упал.

⚠ ОСТОРОЖНО: ЗАПРЕЩАЕТСЯ стучать и бить шлифовальным кругом по обрабатываемой детали.

⚠ ОСТОРОЖНО: Избегайте подпрыгивания и зацепления диска, особенно при обработке углов, острых краев и т. д. Это может привести к потере контроля и отдаче.

⚠ ОСТОРОЖНО: Запрещается использовать инструмент с полотнами для обработки дерева или другими пыльными дисками. При использовании на шлифмашине такие диски часто выскакивают, выходят из-под контроля и приводят к травмам.

⚠ ВНИМАНИЕ: Запрещается включать инструмент, если он касается обрабатываемого изделия. Это может стать причиной травмы оператора.

⚠ ВНИМАНИЕ: Во время выполнения операции всегда надевайте защитные очки или защитную маску.

⚠ ВНИМАНИЕ: После работы всегда отключайте инструмент и дождитесь полной остановки диска перед тем, как положить инструмент.

⚠ ВНИМАНИЕ: **ВСЕГДА** крепко держите инструмент, положив одну руку на корпус, а вторую - на боковую ручку (рукоятку).

Шлифовка и зачистка

► Рис.27

Включите инструмент, а затем прижмите диск или круг к обрабатываемой детали.

Обычно следует держать край диска или круга под углом около 15 градусов относительно поверхности обрабатываемой детали.

В период обработки нового диска не перемещайте шлифмашину вперед, поскольку диск может врезаться в обрабатываемую деталь. После того как кромка диска закружится от использования, можно будет перемещать его в обоих направлениях (вперед и назад).

Выполнение работ с абразивным отрезным/алмазным диском

Дополнительные принадлежности

⚠ ОСТОРОЖНО: Не “заклинивайте” диск и не оказывайте на него чрезмерное давление. Не пытайтесь делать слишком глубокий разрез. Чрезмерное давление на диск увеличивает нагрузку и вероятность искривления или застревания диска в прорези, а также возможность отдачи, поломки диска и перегрева электродвигателя.

⚠ ОСТОРОЖНО: Не запускайте отрезной диск, пока он находится в детали. Дайте диску раскрутиться до максимальной скорости, а затем осторожно введите в разрез, перемещая инструмент вперед по поверхности обрабатываемой детали. Диск может застрять, отдача может отбросить его вверх или назад, если запустить электроинструмент, когда диск находится в детали.

⚠ ОСТОРОЖНО: Во время операций резания нельзя менять угол наклона диска. Боковое давление на отрезной диск (как при шлифовке) приводит к растрескиванию и разрушению диска, в результате чего возможны серьезные травмы.

⚠ ОСТОРОЖНО: Работы с алмазным диском необходимо выполнять, удерживая его перпендикулярно рабочей поверхности.

Пример использования: применение абразивного отрезного диска

► Рис.28

Пример использования: применение алмазного диска

► Рис.29

Операции с чашечной проволочной щеткой

Дополнительные принадлежности

ВНИМАНИЕ: Проверьте работу щетки, запустив инструмент на холостом ходу, предварительно убедившись, что никто не находится перед ним или на одной линии со щеткой.

ПРИМЕЧАНИЕ: Не прилагайте слишком большое давление, поскольку это может привести к изгибанию проволоки во время использования чашечной проволочной щетки. Это может стать причиной преждевременной поломки.

Пример использования: применение чашечной проволочной щетки

► Рис.30

Работа с дисковой проволочной щеткой

Дополнительные принадлежности

ВНИМАНИЕ: Проверьте работу дисковой проволочной щетки, запустив инструмент на холостом ходу и предварительно убедившись, что никто не находится перед ним или на одной линии с дисковой проволочной щеткой.

ПРИМЕЧАНИЕ: Не прилагайте слишком большое давление, так как оно может привести к тому, что проволока погнется во время использования дисковой проволочной щетки. Это может стать причиной преждевременной поломки.

Пример использования: применение дисковой проволочной щетки

► Рис.31

ФУНКЦИЯ БЕСПРОВОДНОЙ АКТИВАЦИИ

Что позволяет делать функция беспроводной активации

Функция беспроводной активации обеспечивает беспрепятственную и удобную работу. Подключив к инструменту поддерживаемый пылесос, можно его автоматически запускать, используя переключатель инструмента.

► Рис.32

Чтобы использовать функцию беспроводной активации, подготовьте следующие компоненты:

- Беспроводной блок (Дополнительные принадлежности)
- Пылесос, который поддерживает функцию беспроводной активации

Обзор настроек функции беспроводной активации выглядит следующим образом. Подробные процедуры см. в каждом разделе.

1. Установка беспроводного блока
2. Регистрация инструмента для пылесоса
3. Запуск функции беспроводной активации

Установка беспроводного блока

Дополнительные принадлежности

ВНИМАНИЕ: При установке беспроводного блока поместите инструмент на ровную и устойчивую поверхность.

ПРИМЕЧАНИЕ: Перед началом установки беспроводного блока очистите пыль и грязь на инструменте. Если пыль или грязь попадет в гнездо беспроводного блока, это может привести к неисправности.

ПРИМЕЧАНИЕ: Во избежание сбоев, вызванных статическим электричеством, прежде чем поднимать беспроводной блок, прикоснитесь к материалу, позволяющему снять статический разряд, например, к металлической части инструмента.

ПРИМЕЧАНИЕ: При установке беспроводного блока всегда следите за тем, чтобы беспроводной блок был вставлен в правильном направлении, и крышка была полностью закрыта.

1. Откройте крышку на инструменте, как показано на рисунке.

► Рис.33: 1. Крышка

2. Вставьте беспроводной блок в гнездо и закройте крышку.

При вставке беспроводного блока выровняйте выступы с углубленными участками в гнезде.

► Рис.34: 1. Беспроводной блок 2. Защита 3. Крышка 4. Углубленный участок

При извлечении беспроводного блока медленно откройте крышку. Если потянуть крышку, то крючки на обратной стороне крышки поднимут беспроводной блок.

► Рис.35: 1. Беспроводной блок 2. Крючок 3. Крышка

После извлечения беспроводного блока поместите его в поставляемый футляр или в контейнер без статического электричества.

ПРИМЕЧАНИЕ: Для снятия беспроводного блока обязательно используйте крючки на обратной стороне крышки. Если крючки не захватывают беспроводной блок, полностью закройте крышку и снова медленно откройте ее.

Регистрация инструмента для пылесоса

ПРИМЕЧАНИЕ: Для регистрации инструмента необходим пылесос Makita, поддерживающий функцию беспроводной активации.

ПРИМЕЧАНИЕ: Перед началом регистрации инструмента завершите установку беспроводного блока в инструмент.

ПРИМЕЧАНИЕ: Во время регистрации инструмента не тяните за триггерный переключатель и не включайте выключатель питания на пылесосе.

ПРИМЕЧАНИЕ: См. также руководство по эксплуатации пылесоса.

Если необходимо активировать пылесос одновременно с переключением инструмента, сначала завершите регистрацию инструмента.

1. Установите аккумулятор в пылесос и инструмент.

2. Установите выключатель режима ожидания на пылесосе в положение «АУТО» (автоматический).

► **Рис.36:** 1. Выключатель режима ожидания

3. Нажмите и удерживайте кнопку беспроводной активации на пылесосе в течение 3 секунд, пока лампа беспроводной активации не замигает зеленым цветом. Затем таким же образом нажмите кнопку беспроводной активации на инструменте.

► **Рис.37:** 1. Кнопка беспроводной активации
2. Лампа беспроводной активации

Если пылесос и инструмент надежно соединены друг с другом, то лампы беспроводной активации будут гореть зеленым светом в течение 2 секунд, затем начнут мигать синим цветом.

ПРИМЕЧАНИЕ: Через 20 секунд лампы беспроводной активации связи закончат мигать зеленым цветом. Если на пылесосе мигает лампа беспроводной активации, нажмите кнопку беспроводной активации на инструменте. Если лампа беспроводной активации не мигает зеленым цветом, нажмите кнопку беспроводной активации на короткое время, а затем снова удерживайте ее.

ПРИМЕЧАНИЕ: При выполнении двух или более регистраций инструмента для одного пылесоса завершите регистрацию инструмента одну за другой.

Запуск функции беспроводной активации

ПРИМЕЧАНИЕ: Перед беспроводной активацией завершите регистрацию инструмента для пылесоса.

ПРИМЕЧАНИЕ: См. также руководство по эксплуатации пылесоса.

После регистрации инструмента для пылесоса можно использовать переключатель инструмента для автоматического запуска пылесоса.

1. Установите беспроводной блок в инструмент.

2. Подсоедините шланг пылесоса к инструменту.

► **Рис.38**

3. Установите выключатель режима ожидания на пылесосе в положение «АУТО» (автоматический).

► **Рис.39:** 1. Выключатель режима ожидания

4. На короткое время нажмите кнопку беспроводной активации на инструменте. Лампа беспроводной активации мигает синим цветом.

► **Рис.40:** 1. Кнопка беспроводной активации
2. Лампа беспроводной активации

5. Потяните триггерный переключатель инструмента. Проверьте, работает ли пылесос при нажатии триггерного переключателя.

Чтобы остановить беспроводную активацию пылесоса, нажмите кнопку беспроводной активации на инструменте.

ПРИМЕЧАНИЕ: Если в течение 2 часов не будет выполняться никаких действий, то лампа беспроводной активации на инструменте перестанет мигать синим цветом. В этом случае установите выключатель режима ожидания на пылесосе в положение «АУТО» и снова нажмите кнопку беспроводной активации на инструменте.

ПРИМЕЧАНИЕ: Пылесос запускается/останавливается с задержкой. Когда пылесос обнаруживает переключение выключателя инструмента, возникает временная задержка.




ПРИМЕЧАНИЕ: Дальность передачи беспроводного блока может варьироваться в зависимости от местоположения и окружающих предметов.

ПРИМЕЧАНИЕ: Если на одном пылесосе зарегистрировано два или несколько инструментов, пылесос может начать работать, даже если триггерный переключатель не нажат, поскольку другой пользователь использует функцию беспроводной активации.

Описание статуса лампы беспроводной активации

► Рис.41: 1. Лампа беспроводной активации

Лампа беспроводной активации отображает состояние функции лампы см. в таблице ниже.

Состояние	Лампа беспроводной активации				Описание
	Цвет	 Вкл	 Мигает	Продолжительность	
Ожидание	Синий			2 часа	Доступна беспроводная активация пылесоса. Если в течение 2 часов не будет выполняться никаких операций, лампа автоматически выключится.
				Пока инструмент работает.	Доступна беспроводная активация пылесоса, инструмент работает.
Регистрация инструмента	Зеленая			20 секунд	Готовность к регистрации инструмента. Ожидание регистрации пылесосом.
				2 секунды	Регистрация инструмента завершена. Лампа беспроводной активации начнет мигать синим цветом.
Отмена регистрации инструмента	Красная			20 секунд	Готовность к отмене регистрации инструмента. Ожидание отмены пылесосом.
				2 секунды	Отмена регистрации инструмента завершена. Лампа беспроводной активации начнет мигать синим цветом.
Прочие	Красная			3 секунд	На беспроводной блок подается питание, и запускается функция беспроводной активации.
	Выкл	-		-	Беспроводная активация пылесоса прекращается.

Отмена регистрации инструмента для пылесоса

При отмене регистрации инструмента для пылесоса выполните следующую процедуру.

1. Установите аккумулятор в пылесос и инструмент.
2. Установите выключатель режима ожидания на пылесосе в положение «АУТО» (автоматический).

► Рис.42: 1. Выключатель режима ожидания

3. Нажмите и удерживайте кнопку беспроводной активации на пылесосе в течение 6 секунд. Лампа беспроводной активации мигает зеленым, а затем переключается на красный цвет. После этого нажмите кнопку беспроводной активации на инструменте таким же образом.

► Рис.43: 1. Кнопка беспроводной активации
2. Лампа беспроводной активации

Если отмена выполнена успешно, лампы беспроводной активации загорятся красным цветом на 2 секунды и начнут мигать синим цветом.

ПРИМЕЧАНИЕ: По истечении 20 секунд лампы беспроводной активации прекращают мигать красным цветом. Если на пылесосе мигает лампа беспроводной активации, нажмите кнопку беспроводной активации на инструменте. Если лампа беспроводной активации не мигает красным цветом, нажмите кнопку беспроводной активации на короткое время, а затем снова удерживайте ее.

Поиск и устранение неисправностей для функции беспроводной активации

Прежде чем обращаться по поводу ремонта, проведите осмотр самостоятельно. Если обнаружена неисправность, не указанная в руководстве, не пытайтесь разобрать инструмент. Обратитесь в один из авторизованных сервисных центров Makita, в которых для ремонта всегда используются оригинальные детали Makita.

Состояние неисправности	Возможная причина (неисправности)	Способ устранения
Лампа беспроводной активации не горит/мигает.	Беспроводной блок не установлен в инструмент. Беспроводной блок неправильно установлен в инструмент.	Правильно установите беспроводной блок.
	Грязь на клемме беспроводного блока и/или гнезда.	Аккуратно вытрите пыль и грязь на клемме беспроводного блока и очистите гнездо.
	Не нажата кнопка беспроводной активации на инструменте.	На короткое время нажмите кнопку беспроводной активации на инструменте.
	Выключатель режима ожидания на пылесосе не установлен в положение «AUTO» (автоматический).	Установите выключатель режима ожидания на пылесосе в положение «AUTO» (автоматический).
	Отсутствует электропитание	Подайте питание на инструмент и пылесос.
Не удается успешно завершить регистрацию/отмену регистрации инструмента.	Беспроводной блок не установлен в инструмент. Беспроводной блок неправильно установлен в инструмент.	Правильно установите беспроводной блок.
	Грязь на клемме беспроводного блока и/или гнезда.	Аккуратно вытрите пыль и грязь на клемме беспроводного блока и очистите гнездо.
	Выключатель режима ожидания на пылесосе не установлен в положение «AUTO» (автоматический).	Установите выключатель режима ожидания на пылесосе в положение «AUTO» (автоматический).
	Отсутствует электропитание	Подайте питание на инструмент и пылесос.
	Неверная операция	На короткое время нажмите кнопку беспроводной активации и снова выполните процедуру регистрации/отмены.
	Большое расстояние между инструментом и пылесосом (вне диапазона передачи).	Расположите инструмент и пылесос ближе друг к другу. Максимальное расстояние передачи составляет приблизительно 10 м, однако оно может изменяться в зависимости от обстоятельств.
	Перед завершением регистрации инструмента/отмены; - был вытянут триггерный переключатель на инструменте или; - нажата кнопка питания на пылесосе.	На короткое время нажмите кнопку беспроводной активации и снова выполните процедуру регистрации/отмены.
	Процедура регистрации инструмента для инструмента или пылесоса не завершена.	Одновременно выполните процедуры регистрации инструмента для инструмента и для пылесоса.
Радиопомехи от других приборов, которые генерируют радиоволны высокой интенсивности.	Избегайте эксплуатации инструмента и пылесоса рядом с такими приборами, как устройства Wi-Fi и микроволновые печи.	

Состояние неисправности	Возможная причина (неисправности)	Способ устранения
Пылесос не работает при использовании переключателя инструмента.	Беспроводной блок не установлен в инструмент. Беспроводной блок неправильно установлен в инструмент.	Правильно установите беспроводной блок.
	Грязь на клемме беспроводного блока и/или гнезда.	Аккуратно вытрите пыль и грязь на клемме беспроводного блока и очистите гнездо.
	Не нажата кнопка беспроводной активации на инструменте.	На короткое время нажмите кнопку беспроводной активации и убедитесь в том, что лампа беспроводной активации мигает синим цветом.
	Выключатель режима ожидания на пылесосе не установлен в положение «АУТО» (автоматический).	Установите выключатель режима ожидания на пылесосе в положение «АУТО» (автоматический).
	В пылесосе зарегистрировано более 10 инструментов.	Выполните повторную регистрацию инструмента. Если в пылесосе зарегистрировано более 10 инструментов, инструмент, зарегистрированный самым первым, будет автоматически отменен.
	Пылесос удалил все записи регистрации инструментов.	Выполните повторную регистрацию инструмента.
	Отсутствует электропитание	Подайте питание на инструмент и пылесос.
	Большое расстояние между инструментом и пылесосом (вне диапазона передачи).	Расположите инструмент и пылесос ближе друг к другу. Максимальное расстояние передачи составляет приблизительно 10 м, однако оно может изменяться в зависимости от обстоятельств.
Пылесос работает, хотя триггерный переключатель инструмента не был вытянут.	Радиопомехи от других приборов, которые генерируют радиоволны высокой интенсивности.	Избегайте эксплуатации инструмента и пылесоса рядом с такими приборами, как устройства Wi-Fi и микроволновые печи.
	Другие пользователи используют беспроводную активацию пылесоса с помощью своих инструментов.	Отключите кнопку беспроводной активации других инструментов или отмените регистрацию инструмента для других инструментов.

ОБСЛУЖИВАНИЕ

ВНИМАНИЕ: Перед проведением проверки или работ по техобслуживанию всегда проверяйте, что инструмент выключен, а блок аккумуляторов снят.

ПРИМЕЧАНИЕ: Запрещается использовать бензин, растворители, спирт и другие подобные жидкости. Это может привести к обесцвечиванию, деформации и трещинам.

Для обеспечения БЕЗОПАСНОСТИ и НАДЕЖНОСТИ оборудования, ремонт, любое другое техобслуживание или регулировку необходимо производить в уполномоченных сервис-центрах Makita, с использованием только сменных частей производства Makita.

Очистка вентиляционного отверстия

Инструмент и его вентиляционные отверстия должны содержаться в чистоте. Производите регулярную очистку вентиляционных отверстий инструмента или очищайте их в случае засорения.

► **Рис.44:** 1. Вытяжное отверстие 2. Впускное вентиляционное отверстие

Снимите пылезащитную крышку с впускного вентиляционного отверстия и очистите ее, чтобы обеспечить свободное прохождение воздуха.

► **Рис.45:** 1. Пылезащитный кожух

ПРИМЕЧАНИЕ: При засорении пылезащитного кожуха пылью или посторонними веществами очистите его. Продолжение эксплуатации с засоренным пылезащитным кожухом приведет к повреждению инструмента.

ДОПОЛНИТЕЛЬНЫЕ ПРИНАДЛЕЖНОСТИ

▲ВНИМАНИЕ: Данные принадлежности или приспособления рекомендуются для использования с инструментом Makita, указанным в настоящем руководстве. Использование других принадлежностей или приспособлений может привести к получению травмы. Используйте принадлежность или приспособление только по указанному назначению.

Если вам необходимо содействие в получении дополнительной информации по этим принадлежностям, свяжитесь с вашим сервис-центром Makita.

- Оригинальный аккумулятор и зарядное устройство Makita

► **Рис.46**

-	Модель 100 мм (4 дюйма)	Модель 115 мм (4-1/2 дюйма)	Модель 125 мм (5 дюймов)
1	Рукоятка 36		
2	Кожух диска (для шлифовального диска)		
3	Внутренний фланец		
4	Диск с утопленным центром/откидной круг		
5	Контргайка		
6	Вспомогательная подушка		
7	Гибкий диск		
8	Внутренний фланец и резиновая подушка 76	Резиновая подушка 100	Резиновая подушка 115
9	Абразивный круг		
10	Шлифовальная контргайка		
11	Дисковая проволочная щетка		
12	Чашечная проволочная щетка		
13	Кожух диска (для отрезного диска) *1		
14	Абразивный отрезной диск / алмазный диск		
15	Кожух шлифовального диска с пылеотводом		
-	Ключ контргайки		

ПРИМЕЧАНИЕ: *1 В некоторых странах Европы при использовании алмазного диска можно использовать обычный кожух вместо специального, закрывающего обе стороны диска. Соблюдайте требования нормативов, действующих в вашей стране.

ПРИМЕЧАНИЕ: Некоторые элементы списка могут входить в комплект инструмента в качестве стандартных приспособлений. Они могут отличаться в зависимости от страны.

Makita Europe N.V. Jan-Baptist Vinkstraat 2,
3070 Kortenberg, Belgium

Makita Corporation 3-11-8, Sumiyoshi-cho,
Anjo, Aichi 446-8502 Japan

www.makita.com

885795-989
EN, SV, NO, FI, DA,
LV, LT, ET, RU
20200227