



P.I.T.[®]

Progressive Innovational Technology

EN PRODUCT PASSPORT
USER'S MANUAL

RU ПАСПОРТ ИЗДЕЛИЯ
ИНСТРУКЦИЯ ПОЛЬЗОВАТЕЛЯ

WOODWORKING TABLE SAW

ПИЛА СТАЦИОНАРНАЯ ЭЛЕКТРИЧЕСКАЯ



EAC

PTS200-C

PROGRESSIVE INNOVATIONAL TECHNOLOGY

ПРОГРЕССИВНЫЕ ИННОВАЦИОННЫЕ ТЕХНОЛОГИИ



TM.by
ONLINE STORE

<https://tm.by>
Интернет-магазин

GENERAL SAFETY PRECAUTIONS

Before work:

- at transportation or storage of the saw in the conditions of influence of negative temperatures it is necessary to sustain before operation a saw indoors at room temperature not less than 30 minutes;
- take into account the influence of the environment, do not use the tool at high (more than 80%) ambient humidity below -10 and above +35°C;
- conduct an external inspection of the tool for visible damage or deformation of the tool case;
- install the saw blades only in the dimensions and parameters specified in this manual, before starting work, check the saw blade for damage and cracks;
- check operability of the electromotor on/off control of the tool. Without connecting the saw to the mains, press and release the on/off control - it is without the delay should return to its original position;
- before starting work, make sure the saw blade is securely fixed;
- check the condition and reliability of the protective cover. It is forbidden to work with the saw which protective cover is faulty or damaged;
- before sawing the used material, make sure there are no nails and other metal objects in the workpiece;
- after the necessary adjustments, securely lock the handles to set the cutting depth, tilt angle and turning angle. If not reliable enough fixation during sawing it is possible to change these settings and, as a result, the occurrence of jamming of the saw blade and the backblow;
- it is recommended to clean the tool immediately after use;
- operation of the tool by unskilled, untrained persons or children is prohibited.

Personal safety:

- when working with the tool, always use suitable clothing, as well as eyesight (glasses) and hearing protection (headphones);
- be careful and watch what you do - do not work with the tool if you are tired, are under the influence of medicines, reducing the reaction, as well as in a state of alcoholic or narcotic intoxication;
- do not operate the power tool in an explosive environment or in the close proximity of flammable liquids and gases, as the power tool is a source of sparks;
- when working, always choose a reliable support surface for the saw. Unreliable, wobbly or slippery support surface can cause loss of control when working with the saw - it is dangerous for the life and health of the operator;
- outsiders, as well as children and animals are prohibited to be in the area of the saw;
- do not touch while working with the rotating parts of the saw;
- never operate the saw, the protective cover of which is forcibly fixed in the open position;
- when performing angular, inclined or combined sawing, wait until the disk has stopped rotating completely before lifting the cutting unit up. Otherwise, when the cutting unit is lifted, the workpieces can be captured by the rotating disk and forcefully thrown towards the operator.

Electrical safety:

- do not expose the tool directly to dampness or any other aggressive environment;
- in case of unusual sounds, vibration, overheating the saw surface, the appearance of smoke or smell, typical for burning insulation, should immediately cease further use of the saw and contact the technical service center;
- be careful in handling the saw - do not drop it, and do not shake, do not operate and do not leave the saw in places where the temperature can reach above 40°C;
- do not leave the saw connected to the mains without supervision;
- keep an eye on the condition of the power cord and plug, do not damage them or make independent changes to the design;
- do not make various efforts to the power cord: never carry the tool by the cord, do not pull the cord to disconnect the power tool from the electrical socket. Keep the cord away from heat, moisture, oil. Avoid pulling, twisting, and breaking loads on the power cord;
- make sure that the voltage of your power supply corresponds to the data indicated on the saw body nameplate. Then plug the power cord into a wall socket;
- try not to block the rotation of the saw blade. Caused by blocking the rotation of the disk excess current leads to increased load on the motor and its possible further failure;
- avoid long-term (more than 15 minutes) continuous operation of the saw - this can lead to saw motor overheating and, as a result, its failure.

EXPLANATION OF P.I.T. TRADEMARK
P.I.T. Progressive Innovational Technology

Currently, 10 kinds of mechanical and electrical equipment are produced under the P.I.T. trademark.

The designation of the **PTS200-C** woodworking table saw has the meaning.

For example, **PTS200-C**

P – Trademark of P.I.T.

TS – woodworking table saw

200 – saw blade diameter 200mm.

C - modification series


PTS200-C
INTENDED USE

Woodworking table saw PTS200-C is designed for performing basic operations for sawing wood and forest products: length cut, cross cut, inclining cut and cut. This saw is designed for use with saw blades with a diameter of 200 mm and is designed for use in domestic conditions at ambient temperatures from -5 to +35°C and a relative humidity of not more than 80% in the absence of exposure to precipitation.

DECRYPTING THE DATE OF PRODUCTION OF THE PRODUCT

Date of manufacture of the product is encrypted in the serial number printed on the tool body. The first 2 digits indicate the year of manufacture, the next 2 digits - month and the following two digits – day.

No.

17	07	30	0395
----	----	----	------

Year month day

PRODUCT SPECIFICATIONS

	PTS200-C
Rated voltage	220±5% V
Rated frequency	50 Hz
Saw blade size	200x16x2.4 mm
No-load speed	2,950 rpm
Rated output capacity	850 W
Tilt angle max	45°
Cutting depth at an angle 90°	45 mm
Cutting depth at an angle 45°	35 mm
Work table size	500x335 mm
Weight	

FUNCTIONAL CAPABILITIES AND FEATURES

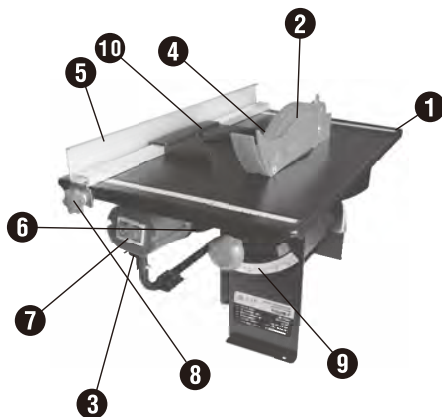
Functional capabilities:

It is intended for length and cross cut of various workpieces from wood, chipboard and other wood products.

Features:

Safe operation
 High precision
 Ergonomic design
 Easy and convenient operation

WOODWORKING TABLE SAW ASSEMBLY



WOODWORKING TABLE SAW ASSEMBLY

1	Saw table	7	ON/OFF Control
2	Protective cover of the saw blade	8	Lock grip of the parallel limit stop
3	Pusher		
4	Saw blade	9	Scale for the angle adjustment
5	Parallel limit stop	10	45° limit stop / head limit stop
6	Electromotor		

STANDARD SET

- Operation manual;
- Saw blade;
- Saw table;
- Parallel limit stop;
- Pusher;
- Head limit stop.

MAINTENANCE

- Before the start of operation the saw shall be stored in packing of manufacturer at ambient temperature from -10 to +35° C and relative humidity of air no more than 80%;
- Use compressed air and a soft cloth dampened with soapy water to clean the contaminated surface of the tool. It is forbidden to use solvent or any other chemical means!
- The best place to store unused tools is a dry room with a temperature range from +5 to +25° C, out of reach of children, away from direct sunlight and sources of enhanced emission of heat and cold;
- After each new setting, it is recommended to make a trial cutting to check the new settings. Before cutting after powering on, wait until the saw blade reaches its maximum speed.
- Move the saw, lifting it together with the table. Never use protective devices, including protective covers and rubbing rails, to move or transport the tool.
- Before starting any cleaning work, disconnect the plug from the power socket.
- All protective devices, vents and case should be cleaned of dirt and dust as far as possible. Wipe the tool with a clean cloth or blow with compressed air at low pressure
- The motor can operate continuously at a nominal power level of 15 minutes. In case of non-compliance with the time limit, the motor will overheat. When the motor is powered off, it is again cooled to the starting temperature.

Maintenance of the tool must be performed only by qualified personnel of authorized technical service centers.

RULES OF OPERATION

Saw on/off

- The saw is powered on/off by pressing the on/off control (7)
- The saw is powered on by pressing the green key "I".
- Red key "0" is used to power off the saw.

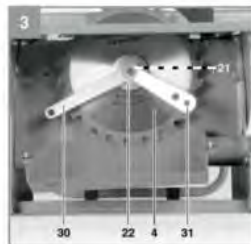
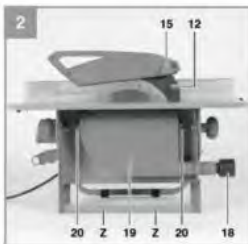
Saw blade installation / replacement

- Disconnect the power cable. Remove the mounting screws (20) and the chip tank cover (19). Unscrew the nut (21) with the ring wrench (30), holding the nut and the fork wrench (31) on the saw shaft, applying back pressure.
- Turn the nut in the direction of rotation of the saw blade (4). Remove the outer flange (22). During first time the saw blade installation: Clean the mounting flange, insert a new saw blade and re-tighten the flange.

During replacement of the saw blade: Remove the old saw blade. Clean the mounting flange, insert a new saw blade, and re-tighten the flange.

- Observe the direction of rotation! During installation, it is necessary that the rotation direction arrow on the disk corresponds to the direction specified on the saw case;

- After installing the disk, check that the disk does not touch the rotary base in the bottom position of the cutting unit;
- After installing the disk, connect the saw to the mains and perform a short test run. If there is a strong vibration, the disk must be replaced;



Installing the disk protective cover

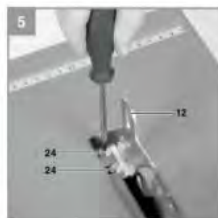
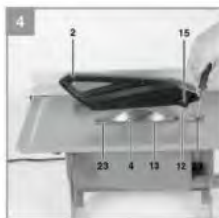
- Install the protective cover of the saw blade (2) to the divider (12) and align.
- Insert the screw (15) through the hole in the protective cover of the saw blade (2) and the divider (12) and secure with a nut.
- For disassembling, do the operation in reverse order.

Adjustment of the separator

- Remove the protective cover of the saw blade (2) and remove the worn cut plate (13).
- Secure the divider (12) with two screws (24).

Adjust the divider until the angle between the saw blade and the divider is 3-5 mm. The divider should be installed in one line with the saw blade in the longitudinal direction.

- Tighten the two screws. Every time you replace the saw blade, check the divider settings.



The height of the limit stop

- Use lower height of the limit stop for thin parts and the upper height of the limit stop for large details.
- To change the height of the limit stop, loosen the lock grips (8) of the parallel limit stop (5) and remove it from the table.
- Turn through 180 the parallel limit stop so that the edge previously facing forward turns back.
- Tighten the lock grip.

In addition to the indicator with scale, measure the cutting width between the saw blade and the parallel limit stop. After each new setting, it is recommended to perform a test cutting to check the dimensions.

Angle setting

- Unscrew the lock grips (8).
- Move the two lock grips to adjust the desired angle of the saw blade (4).
- Tighten lock grips.

TERMS OF WARRANTY SERVICE

1. This Warranty Certificate is the only document that confirms your right to free warranty service. Without presenting this certificate, no claims are accepted. In case of loss or damage, the warranty certificate is not restored.

2. The warranty period for the electric machine is 12 months from the date of sale, during the warranty period the service department eliminates manufacturing defects and replaces parts that have failed due to the fault of the manufacturer free of charge. In the warranty repair, an equivalent operable product is not provided. Replaceable parts become property of service providers.

P.I.T. is not liable for any damage that may be caused by operation of the electric machine.

3. Only clean tool accompanied with the following duly executed documents: this Warranty Certificate, Warranty Card, with all fields filled out, bearing the stamp of the trade organization and the signature of the buyer, shall be accepted for warranty repair.

4. Warranty repair is not performed in the following cases:

- in the absence of a Warranty Certificate and a Warranty Card or their incorrect execution;
- with failure of both a rotor and a stator of the electric engine, charring or melting of primary winding of the welding machine transformer, charging or starting-charging device, with internal parts melting, burn down of electronic circuit boards;
- if a Warranty Certificate or a Warranty Card does not correspond to this electric machine or to the form established by the supplier;
- upon expiration of the warranty period;
- at attempts of opening or repair of the electric machine outside the warranty workshop; making constructive changes and lubrication of the tool during the warranty period, as evidenced, for example, by the creases on the spline parts of the fasteners of non-rotational parts.
- when using electric tools for production or other purposes connected with making a profit, as well as in case of malfunctions related to instability of the power network parameters exceeding the norms established by GOST;
- in the events of improper operation (use the electric machine for other than intended purposes, attachments to the electric machine of attachments, accessories, etc. not provided by the manufacturer);
- with mechanical damage to the case, power cord and in case of damages caused by aggressive agents and high and low temperatures, ingress of foreign objects in the ventilation grids of the electric machine, as well as in case of damage resulting from improper storage (corrosion of metal parts);
- natural wear and tear on the parts of the electric machine, as a result of long-term operation (determined on the basis of the signs of full or partial depletion of the specified mean life, great contamination, presence of rust outside and inside the electric machine, waste lubricant in the gearbox);
- use of the tool the purposes for other than specified in the operating instructions.
- mechanical damages to the tool;
- in the event of damages due to non-observance of the operating conditions specified in the instruction (see chapter "Safety Precautions" of the Manual).
- damage to the product due to non-observance of the rules of storage and transportation.

Preventive maintenance of electric machines (cleaning, washing, lubrication, replacement of anthers, piston and sealing rings) during the warranty period is a paid service.

The service life of the product is determined by the manufacturer and is 2 years from the date of manufacture.

The owner is notified of any possible violations of the above terms of warranty service upon completion of diagnostics in the service center.

The owner of the tool entrusts the diagnostic procedure to be conducted in the service center in his absence.

Do not operate the electric machine when there are signs of excessive heat, sparking, or noise in the gearbox. To determine the cause of the malfunction, the buyer should contact the warranty service center.

Malfunctions caused by late replacement of carbon brushes of the engine are eliminated at the expense of the buyer.

5. The warranty does not cover:

- replacement accessories (accessories and components), for example: batteries, discs, blades, drill bits, borers, chucks, chains, sprockets, collet clamps, guide rails, tension and fastening elements, trimming device heads, base of grinding and belt sander machines, filters, etc.,
- fast wearing parts, for example: carbon brushes, drive belts, seals, protective covers, guiding rollers, guides, rubber seals, bearings, toothed belts and wheels, shanks, brake belts, starter ratchets and ropes, piston rings, etc. Their replacement during the warranty period is a paid service;
- power cords, in case of damage to the insulation, power cords are subject to mandatory replacement without the consent of the owner (paid service);
- tool case.

P.I.T. WARRANTY CERTIFICATE

Product Name _____

Place of seal _____

Product Number Serial Number

Sale Date _____

Trade Organization Name _____

Dear customer!

Thank you for purchasing the P.I.T. tool, and we hope that you will be satisfied with your choice. In the process of manufacturing the P.I.T. tools pass multilevel quality control, if nevertheless your product will need maintenance, please contact the authorized P.I.T. service centers.

Attention!

When buying, ask a seller to check the completeness and operability of the tool, to fill out the Warranty Certificate, the Warranty Card (the boxes shall be filled out by a seller) and to affix the seal of the trade organization in the Guarantee Certificate and the Warranty Card.

Warranty

By this Warranty Certificate, P.I.T. company guarantees the absence of defects of the production nature.

In the event any of the above defects are detected during the warranty period, the specialized P.I.T. service centers shall repair the product and replace the defective spare parts free of charge.

The warranty period for P.I.T. electric machines is 12 months from the date of sale.

“The warranty maintenance terms acknowledged and accepted. The operability and completeness of the product are checked in my presence. No claims on quality and appearance.”

Buyer's Signature _____ Surname (legibly) _____

Phone _____

ОБЩИЕ МЕРЫ БЕЗОПАСНОСТИ

Перед началом работы:

- при транспортировке или хранении пилы в условиях воздействия отрицательных температур необходимо перед началом эксплуатации выдержать пилу в помещении при комнатной температуре не менее 30 минут;
- учитывайте влияние окружающей среды, не используйте инструмент при высокой (более 80%) влажности окружающей среды ниже –10 и выше +35°C;
- проводите внешний осмотр инструмента на наличие видимых повреждений или деформации корпуса инструмента;
- устанавливайте пильные диски только указанных в настоящем руководстве размеров и параметров, перед началом работы проверяйте пильный диск на отсутствие повреждений и трещин;
- проверяйте работоспособность выключателя электродвигателя инструмента. Не подключая пилу к электросети, нажмите и отпустите выключатель – он без задержек должен возвратиться в исходное положение;
- перед началом работы убедитесь в надежности фиксации пильного диска;
- проверьте состояние и надежность крепления защитного кожуха. Запрещается работать пилой, защитный кожух которой неисправен или поврежден;
- перед распиловкой материала, бывшего в употреблении, убедиться в отсутствии гвоздей и других металлических предметов в заготовке;
- после необходимых регулировок надежно зафиксируйте рукоятки установки глубины пропила, угла наклона и угла поворота. При недостаточно надежной фиксации во время пиления возможно изменение этих установок и, как следствие, возникновение заклинивания пильного диска и обратной отдачи;
- рекомендуется чистить устройство немедленно после завершения эксплуатации;
- запрещается эксплуатация инструмента неподготовленными, необученными лицами или детьми.

Личная безопасность:

- при работе с инструментом всегда используйте подходящую спецодежду, а так же средства защиты зрения (очки) и слуха (наушники);
- будьте внимательны и следите за тем, что вы делаете – не работайте с инструментом, если вы устали, находитесь под влиянием лекарственных средств, снижающих реакцию, а так же в состоянии алкогольного или наркотического опьянения;
- не работайте электроинструментом во взрывоопасной среде или в непосредственной близости легко воспламеняющихся жидкостей и газов, т.к. электроинструмент является источником искр;
- при работе всегда выбирайте надежную опорную поверхность для пилы. Неудачная, шатающаяся или скользкая опорная поверхность может послужить причиной потери контроля при работе пилой – это опасно для жизни и здоровья оператора;
- посторонним лицам, а так же детям и животным запрещается находиться в зоне работы пилы;
- не соприкасайтесь во время работы с вращающимися частями пилы;
- никогда не работайте пилой, защитный кожух которой принудительно зафиксирован в открытом положении;
- при выполнении углового, наклонного или комбинированного пиления дождитесь полной остановки вращения диска прежде, чем поднять вверх режущий блок. В противном случае, при поднятии режущего блока обрезки заготовки могут быть захвачены вращающимся диском и с силой отброшены в сторону оператора.

Электробезопасность:

- не подвергайте инструмент непосредственному воздействию влаги или любой другой агрессивной среды;
- при появлении посторонних звуков, вибрации, повышенного нагрева поверхности пилы, появления дыма или постороннего запаха, характерного для горелой изоляции, следует незамедлительно прекратить дальнейшую эксплуатацию пилы и обратиться в сервисный центр;
- будьте осторожны в обращении с пилой – не роняйте ее, и не подвергайте тряске, не работайте и не оставляйте пилу в местах, где температура может достигнуть отметки выше 40°C;
- не оставляйте без надзора пилу, подключенную к электросети;
- следите за состоянием шнура электропитания и штепсельной вилки, не допускайте их повреждения или внесения самостоятельных изменений в конструкцию;
- не прилагайте различного рода усилия к шнуру электропитания: никогда не переносите инструмент за шнур, не держите за шнур для отключения электроинструмента от электрической розетки. Держите шнур подальше от источников тепла, влаги, масла. Не допускайте натягивания, перекручивания и нагрузки на разрыв шнура электропитания;
- убедитесь в том, что напряжение вашей электросети соответствует данным, указанным на заводской табличке корпуса пилы. После этого подключите штепсельную вилку шнура электропитания к розетке электросети;
- старайтесь не допускать блокировки вращения диска избыточное поступление тока приводит к повышенной нагрузке на электродвигатель и возможной дальнейшей его поломке;
- избегайте длительной (более 15 минут) непрерывной работы пилы – это может привести к перегреву электродвигателя пилы и, как следствие, его поломке.

**РАСШИФРОВКА
ТОРГОВОЙ МАРКИ P.I.T.**
P.I.T.[®] Progressive Innovational Technology
 (Прогрессивные Инновационные Технологии)

В настоящее время под маркой P.I.T. выпускается механическое и электрическое оборудование 10 видов.

Обозначение модели настольной пилы **PTS200-C** имеет следующее значение:

PTS200-C

P – торговая марка P.I.T.

TS – стационарная пила

200 – диаметр пильного диска 200 мм

C – серия модификации


модель PTS200-C
НАЗНАЧЕНИЕ

Электрическая настольная пила **PTS200-C** предназначена для выполнения основных операций по пиленю древесины и изделий из дерева: продольный распил, поперечный распил, наклонный распил и распил. Данная пила разработана для использования с пильными дисками диаметром 200 мм и предназначена для эксплуатации в бытовых условиях при температуре окружающей среды от -5 до +35°С и относительной влажности воздуха не более 80% при отсутствии воздействия атмосферных осадков.

РАСШИФРОВКА ДАТЫ ИЗГОТОВЛЕНИЯ ИЗДЕЛИЯ

Дата изготовления изделия зашифрована в серийном номере, напечатанном на корпусе инструмента. Первые 2 цифры обозначают год выпуска, следующие 2 цифры – месяц и следующие 2 цифры – день

№.

1	7	0	7	3	0	0	3	9	5
---	---	---	---	---	---	---	---	---	---

 год месяц день

ТЕХНИЧЕСКИЕ ХАРАКТЕРИСТИКИ

	PTS200-C
Номинальное напряжение	220±5% В
Частота тока	50 Гц
Размер пильного диска	200x16x2,4 мм
Число оборотов на холостом ходу	2950 об/мин
Номинальная выходная мощность	850 Вт
Мах угол наклона	45°
Глубина пропила под углом 90°	45 мм
Глубина пропила под углом 45°	35 мм
Размер стола	500x335 мм

Вес

Примечание

Так как изделия постоянно совершенствуются, то компания P.I.T. оставляет за собой право на внесение изменений в указанные здесь технические характеристики и комплектацию изделия без предварительного уведомления.

ФУНКЦИОНАЛЬНЫЕ ВОЗМОЖНОСТИ И ОСОБЕННОСТИ

Функциональные возможности:

Предназначена для продольного и поперечного распила различных заготовок из древесины, ДСП и других лесоматериалов.

Особенности:

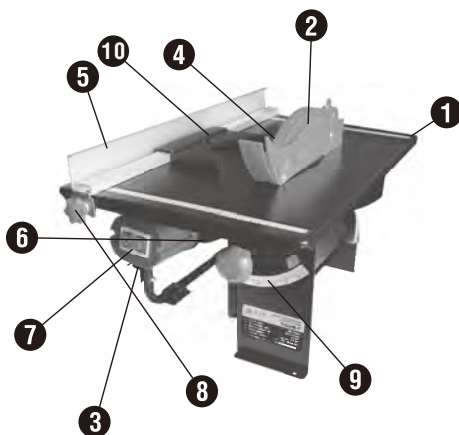
Безопасная работа

Высокая точность

Эргономичная конструкция

Простое и удобное управление

УСТРОЙСТВО СТАЦИОНАРНОЙ ПИЛЫ



УСТРОЙСТВО СТАЦИОНАРНОЙ ПИЛЫ

1	Стол пилы	7	Кнопка ВКЛ/ВЫКЛ
2	Защитный кожух диска пилы	8	Замковый захват
3	Крепление для толкателя		
4	Диск пилы	9	Шкала для регулировка угла
5	Параллельный упор	10	45° упор/поперечный упор
6	Электродвигатель		

КОМПЛЕКТ ПОСТАВКИ

- Руководство по эксплуатации;
- Диск пилы;
- Стол пилы;
- Параллельный упор;
- Толкатель;
- Поперечный упор.

ТЕХНИЧЕСКОЕ ОБСЛУЖИВАНИЕ

- До начала эксплуатации пила должна храниться в упаковке завода-изготовителя при температуре окружающей среды от -10 до +35° С и относительной влажности воздуха не более 80%;
- Для очистки загрязненной поверхности инструмента следует использовать сжатый воздух и мягкую салфетку, смоченную водой с мыльным раствором. Запрещено использовать растворитель или любые другие химические средства!
- Оптимальным местом для хранения неиспользуемого инструмента является сухое помещение с температурным режимом от +5 до +25° С, в недоступном для детей месте, вдали от воздействия прямых солнечных лучей и источников повышенного излучения тепла и холода;
- После каждой новой настройки рекомендуется произвести пробную резку для проверки новых настроек. Перед резкой после включения дождитесь, пока диск пилы наберет максимальную скорость.
- Перемещайте пилу, поднимая ее вместе с рабочим столом. Никогда не используйте защитные устройства, включая защитный кожух и упорные рельсы, для перемещения и транспортировки оборудования.
- Перед началом любых работ по очистке, необходимо отключать вилку из розетки питания.
- Все защитные устройства, вентиляционные отверстия и корпус должны быть по возможности очищены от грязи и пыли. Протрите оборудование чистой тканью или продуйте сжатым воздухом при низком давлении.
- Электродвигатель может работать непрерывно при номинальном уровне мощности 15 минут. В случае несоблюдения временного ограничения, двигатель перегреется. При отключении двигатель снова охлаждается до пусковой температуры.

Обслуживание инструмента должно быть выполнено только квалифицированным персоналом уполномоченных сервисных центров.

ПРАВИЛА ЭКСПЛУАТАЦИИ

Включение/выключение пилы

- Включение/Выключение пилы осуществляется нажатием на выключатель (7)
- Пила включается нажатием на зеленую кнопку «I» .
- Красная кнопка «0» применяется для отключения пилы.

Установка/Замена пильного диска

– Отключите силовой кабель. Открутите крепежные винты (20) и снимите крышку бака для стружки (19). Открутите гайку (21) накидным ключом (30), удерживая саму гайку и вилочным ключом (31) на валу пилы, прилагая противодействие.

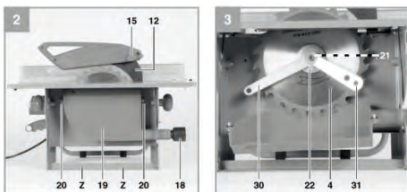
– Поворачивайте гайку в сторону вращения диска пилы (4). Снимите наружный фланец (22). При первой установке диска пилы: Очистите монтажный фланец, вставьте новый диск пилы и повторно затяните фланец .

При замене диска пилы: Снимите старый диск пилы. Очистите монтажный фланец, вставьте новый диск пилы и повторно затяните фланец.

– Соблюдайте направление вращения! При установке диска необходимо, что бы стрелка направления вращения на диске соответствовала направлению, указанному на корпусе пилы;

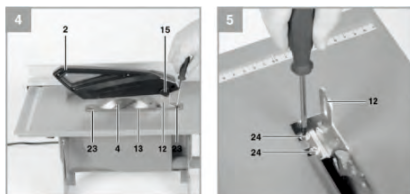
– После установки диска проверьте, что бы в нижнем положении режущего блока диск не касался поворотного основания;

– После установки диска подключите пилу к электросети и осуществите пробный кратковременный запуск. При наличии сильной вибрации диск необходимо заменить;



Установка защитного кожуха диска

- Установите защитный кожух диска пилы (2) на разделитель (12) и произведите центровку.
- Вставьте винт (15) через отверстие в защитном кожухе диска пилы (2) и разделителя (12) и закрепите гайкой.
- Для демонтажа проделайте операции в обратном порядке.



Регулировка разделителя

– Снимите защитный кожух диска пилы (2) и удалите изношенную пластину для пропила (13).

– Закрепите разделитель (12) двумя винтами (24).

Регулируйте разделитель до тех пор, пока угол между диском пилы и разделителем не будет равен 3–5 мм.

Разделитель должен установиться в одну линию с диском пилы в продольном направлении.

– Затяните два винта. Каждый раз после замены диска пилы необходимо проверять настройки разделителя.

Высота упора

– Используйте нижнюю высоту упора для тонких деталей и верхнюю высоту упора для толстых деталей.

– Для смены высоты упора ослабьте стопорные захваты (8) параллельного упора (5) и снимите его со стола.

– Поверните параллельный упор на 180 таким образом, чтобы край, ранее направленный вперед, повернулся назад.

– Затяните стопорный захват.

В дополнение к индикатору со шкалой измерьте ширину резки между диском пилы и параллельным упором. После каждой новой настройки рекомендуется произвести пробную резку для проверки размеров.

Установка угла

– Открутите стопорные захваты (8).

– Переместите два стопорных захвата для регулировки желаемого угла диска пилы (4).

– Затяните стопорные захваты

УСЛОВИЯ ГАРАНТИЙНОГО ОБСЛУЖИВАНИЯ

1. Настоящее гарантийное свидетельство является единственным документом, подтверждающим Ваше право на бесплатное гарантийное обслуживание. Без предъявления данного свидетельства претензии не принимаются. В случае утери или порчи гарантийное свидетельство не восстанавливается.
 2. Гарантийный срок на электроинструмент составляет 12 месяцев со дня продажи, в течение гарантийного срока сервисная служба бесплатно устраняет производственные дефекты и производит замену деталей, вышедших из строя по вине изготовителя. На период гарантийного ремонта эквивалентный исправный инструмент не предоставляется. Заменяемые детали переходят в собственность служб сервиса. Компания P.I.T. не несет ответственности за вред, который может быть причинен при работе с электроинструментом.
 3. В гарантийный ремонт инструмент принимается в чистом виде, при обязательном наличии надлежащим образом оформленных документов: настоящего гарантийного свидетельства, гарантийного талона, с полностью заполненными полями, штампом торговой организации и подписью покупателя.
 4. Гарантийный ремонт не производится в следующих случаях:
 - при отсутствии гарантийного свидетельства и гарантийного талона или неправильном их оформлении;
 - при совместном выходе из строя якоря и статора электродвигателя, при обугливания или оплавлении первичной обмотки трансформатора сварочного аппарата, зарядного или пуско-зарядного устройства, при оплавлении внутренних деталей, прожиге электронных плат;
 - если гарантийное свидетельство или талон не принадлежит данному электроинструменту или не соответствует установленному поставщиком образцу;
 - по истечении срока гарантии;
 - при попытках самостоятельного вскрытия или ремонта электроинструмента вне гарантийной мастерской; внесения конструктивных изменений и смазки инструмента в гарантийный период, о чем свидетельствуют, например, заломы на шлицевых частях крепежа корпусных деталей.
 - при использовании электроинструмента в производственных или иных целях, связанных с получением прибыли, а также – при возникновении неисправностей связанных с нестабильностью параметров электросети, превышающих нормы, установленные ГОСТ;
 - при неправильной эксплуатации (использование электроинструмента не по назначению, установки на электроинструмент не предназначенных заводом-изготовителем насадок, дополнительных приспособлений и т.п.;
 - при механических повреждениях корпуса, сетевого шнура и при повреждениях, вызванных воздействиями агрессивных средств и высоких и низких температур, попадании инородных предметов в вентиляционные решетки электроинструмента, а также при повреждениях, наступивших в результате неправильного хранения (коррозия металлических частей);
 - при естественном износе деталей электроинструмента, в результате длительной эксплуатации (определяется по признакам полной или частичной выработки ресурса, сильного загрязнения, ржавчины снаружи и внутри электроинструмента, отработанной смазки в редукторе);
 - использование инструмента не по назначению, указанному в инструкции по эксплуатации.
 - при механических повреждениях инструмента;
 - при возникновении повреждений в связи с несоблюдением предусмотренных инструкцией условий эксплуатации (см. главу Указание по технике безопасности в инструкции).
 - повреждение изделия вследствие несоблюдения правил хранения и транспортировки.
- Профилактическое обслуживание электроинструмента (чистка, промывка, смазка, замена пыльников, поршневых и уплотнительных колец) в гарантийный период является платной услугой.
- Срок службы изделия установлен производителем и составляет 2 года со дня изготовления.
- О возможных нарушениях, изложенных выше условий гарантийного обслуживания, владельцу сообщается после проведения диагностики в сервисном центре.
- Владелец инструмента доверяет проведение диагностики в сервисном центре в свое отсутствие.
- Запрещается эксплуатация электроинструмента при проявлении признаков повышенного нагрева, искрения, а также шума в редукторной части. Для выяснения причин неисправности покупателю следует обратиться в гарантийную мастерскую.
- Неисправности, вызванные несвоевременной заменой угольных щеток двигателя, устраняются за счет покупателя.
5. Гарантия не распространяется на:
 - сменные принадлежности (аксессуары и оснастка), например: аккумуляторы, диски, ножи, сверла, буры, лагроны, цепи, звездочки, канговые зажимы, шины, элементы натяжения и крепления, головки триммеров, подошвы шлифовальных и ленточных машин, фильтры и т.п.
 - быстроизнашивающиеся детали, например: угольные щетки, приводные ремни, сальники, защитные кожухи, направляющие ролики, направляющие, резиновые уплотнения, подшипники, зубчатые ремни и колеса, стволы, ленты тормоза, храловики и тросы стартеров, поршневые кольца и т.п. Замена их в течении гарантийного срока является платной услугой.
 - шнуры питания, в случае повреждения изоляции, шнуры питания подлежат обязательной замене без согласия владельца (услуга платная).
 - корпуса инструмента.

ГАРАНТИЙНОЕ СВИДЕТЕЛЬСТВО НА ИНСТРУМЕНТ P.I.T.

Наименование изделия _____
Артикул изделия
Серийный номер
Дата продажи «__» _____
Наименование торговой организации _____

М.П.

Уважаемый покупатель!

Благодарим Вас за покупку инструмента P.I.T. и надеемся, что Вы останетесь довольны своим выбором. В процессе производства инструменты P.I.T. проходят многоуровневый контроль качества, если тем не менее Ваше изделие будет нуждаться в обслуживании, просим Вас обращаться в авторизованные сервисные центры P.I.T.

Внимание!

При покупке требуйте у продавца проверки комплектности и работоспособности инструмента, заполнение гарантийного свидетельства, гарантийного талона (графы заполняются продавцом) и простановки печати торговой организации в гарантийном свидетельстве и гарантийном талоне.

Гарантия

На основании данного гарантийного свидетельства компания P.I.T. гарантирует отсутствие дефектов производственного характера.

Если в течении гарантийного срока в Вашем изделии тем не менее обнаружатся указанные дефекты, специализированные сервисные центры P.I.T. бесплатно отремонтируют изделие и заменят дефектные запасные части.

Гарантийный срок на электроинструменты P.I.T. составляет 12 месяцев со дня продажи.

«С условиями гарантийного обслуживания ознакомлен(а). Работоспособность и комплектность изделия проверены в моем присутствии. Претензий к качеству и внешнему виду не имею.»

Подпись покупателя _____ Фамилия(разборчиво) _____

Телефон _____

P.I.T. WARRANTY CARD

Name _____
 Serial number _____
 The date of sale 20 ____
 The date of receipt of the repair 20 ____



Name _____
 Serial number _____
 Date of sale "" _____
 (Filled by seller)

Seal is here

WARRANTY REPAIR CARD
 date of acceptance for repair ____ 20 ____
 Application for repair _____
 Customer _____
 Telephone (address) _____
 The reason for petition _____
 Tool checked in my presence _____
 (The order is filled in the service center) (signature)

Seal is here

Name _____
 Serial number _____
 The date of sale 20 ____
 The date of receipt of the repair 20 ____



Name _____
 Serial number _____
 Date of sale "" _____
 (Filled by seller)

Seal is here

WARRANTY REPAIR CARD
 date of acceptance for repair ____ 20 ____
 Application for repair _____
 Customer _____
 Telephone (address) _____
 The reason for petition _____
 Tool checked in my presence _____
 (The order is filled in the service center) (signature)

Seal is here

Name _____
 Serial number _____
 The date of sale 20 ____
 The date of receipt of the repair 20 ____



Name _____
 Serial number _____
 Date of sale "" _____
 (Filled by seller)

Seal is here

WARRANTY REPAIR CARD
 date of acceptance for repair ____ 20 ____
 Application for repair _____
 Customer _____
 Telephone (address) _____
 The reason for petition _____
 Tool checked in my presence _____
 (The order is filled in the service center) (signature)

Seal is here

ГАРАНТИЙНЫЙ ТАЛОН P.I.T.


Наименование _____
 Серийный номер _____
 Дата продажи «__» _____ 20 __ г.
 (Заполняется продавцом)

М.П.

КАРТА ГАРАНТИЙНОГО РЕМОНТА __

Дата приема в ремонт _____ 20 __ г.
 Заявка на ремонт _____
 Заказчик _____
 Телефон(адрес) _____
 Причина обращения _____
 Дата получения из ремонта _____ 20 __ г.
 Инструмент проверен в моем присутствии
 (Заказ заполняется в сервисном центре) (подпись)

М.П.

Наименование _____
 Серийный номер _____
 Дата продажи «__» _____ 20 __ г.
 Дата получения из ремонта «__» _____ 20 __ г.



Наименование _____
 Серийный номер _____
 Дата продажи «__» _____ 20 __ г.
 (Заполняется продавцом)

М.П.

КАРТА ГАРАНТИЙНОГО РЕМОНТА __

Дата приема в ремонт _____ 20 __ г.
 Заявка на ремонт _____
 Заказчик _____
 Телефон(адрес) _____
 Причина обращения _____
 Дата получения из ремонта _____ 20 __ г.
 Инструмент проверен в моем присутствии
 (Заказ заполняется в сервисном центре) (подпись)

М.П.

Наименование _____
 Серийный номер _____
 Дата продажи «__» _____ 20 __ г.
 Дата получения из ремонта «__» _____ 20 __ г.



Наименование _____
 Серийный номер _____
 Дата продажи «__» _____ 20 __ г.
 (Заполняется продавцом)

М.П.

КАРТА ГАРАНТИЙНОГО РЕМОНТА __

Дата приема в ремонт _____ 20 __ г.
 Заявка на ремонт _____
 Заказчик _____
 Телефон(адрес) _____
 Причина обращения _____
 Дата получения из ремонта _____ 20 __ г.
 Инструмент проверен в моем присутствии
 (Заказ заполняется в сервисном центре) (подпись)

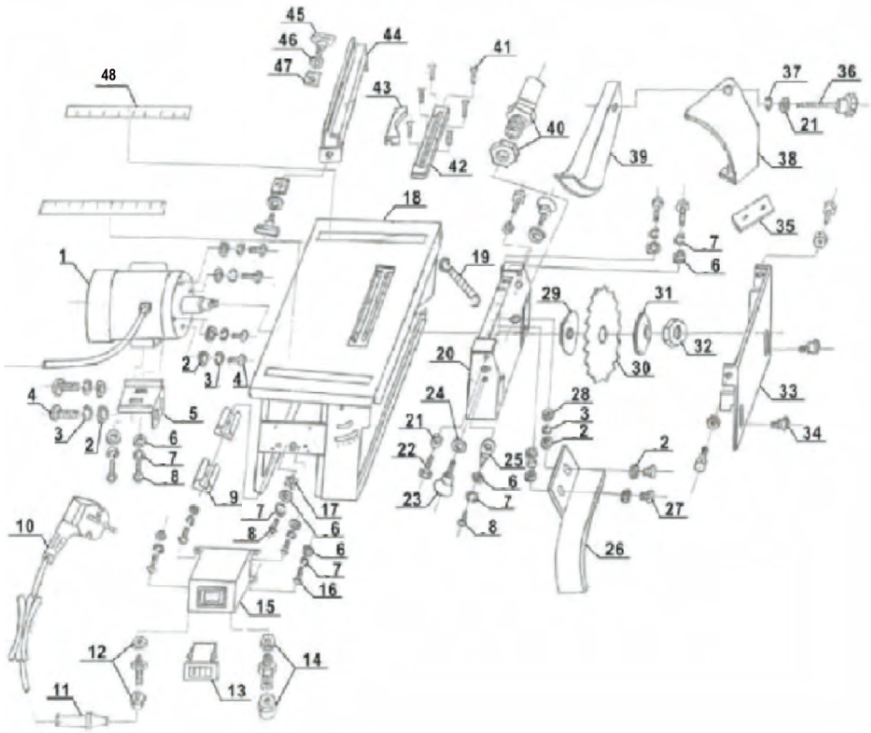
М.П.

Наименование _____
 Серийный номер _____
 Дата продажи «__» _____ 20 __ г.
 Дата получения из ремонта «__» _____ 20 __ г.

P.I.T. WARRANTY SHEET / ГАРАНТИЙНЫЙ ТАЛОН P.I.T.



PTS200-C





Поставщик / производитель: Xinjiang Longbo Industrial Co., Ltd./Синзянь Лонгбо Индастриал Ко., Лтд.
Адрес производства: Rm. 602, 6th Floor, No. 531, Weixing Road, Economic And Technological Development Zone, Urumqi, Xinjiang, China / Оф.602, 6 этаж, №531, Вейшинг Роад, Экономик Энд Технолджикал Девелопмент Зон, Урумчи, Синзянь, Китай
Импортер/ организация, уполномоченная принимать претензии: ООО «Турбо-Тулс»
Юридический адрес: 614058, Пермский край, г. Пермь, ул. Фоминская, 36
info@pittools.ru
Сделано в КНР / Made in China



www.pit-tools.com