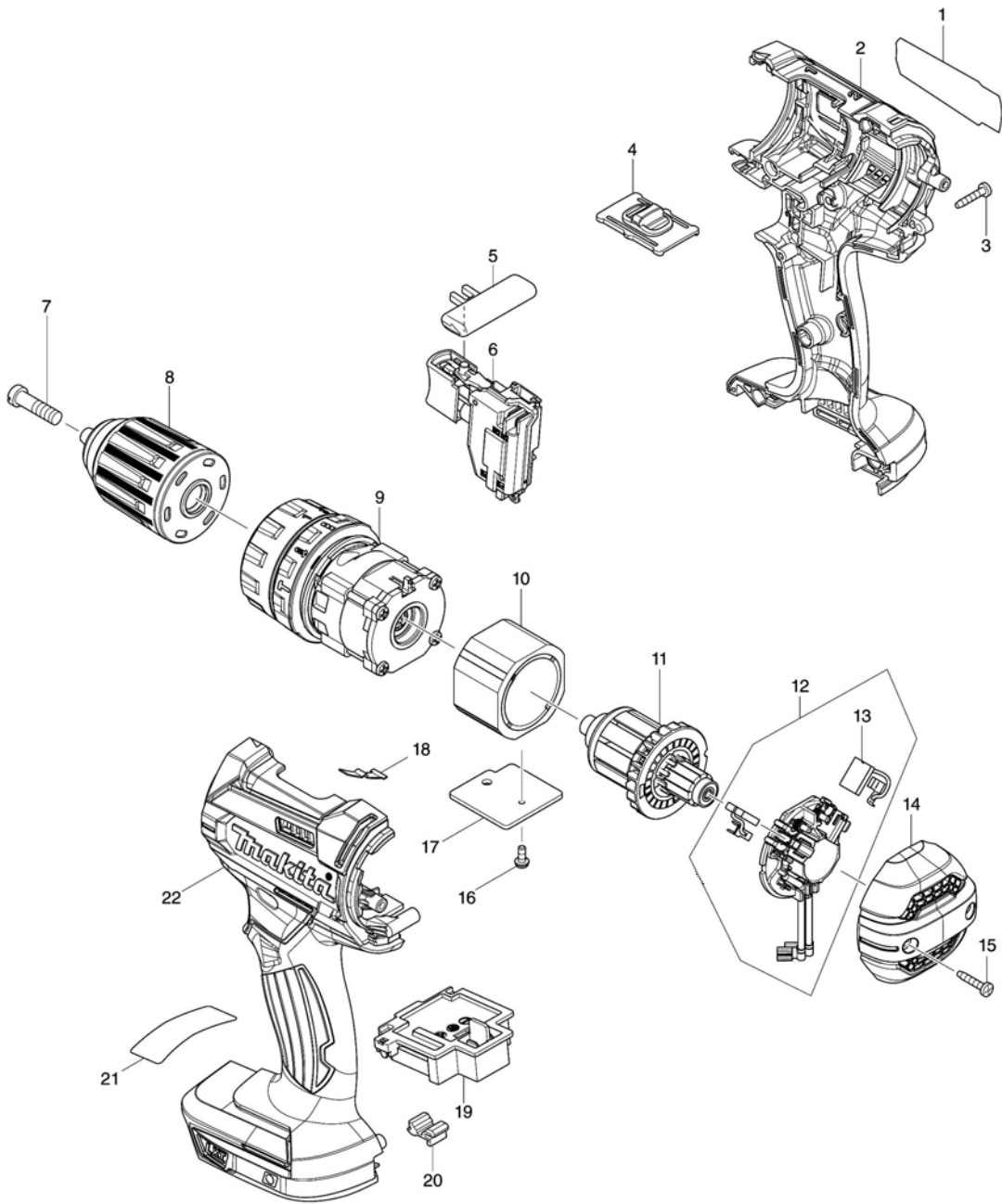


Model No.DHP482 CORDLESS HAMMER DRIVER DRILL





Model No.DHP482 CORDLESS HAMMER DRIVER DRILL

Item	Parts No.	Description	I/C	Qty	New/Old	Opt. 1	Opt. 2	Note
001	851E32-8	DHP482 NAME PLATE		1	*			
001-1	857L25-5	DHP482 NAME PLATE	S	1				
002	183B65-0	HOUSING SET		1				
C10	263005-3	RUBBER PIN 6		2				
D10		INC. 22						
003	266429-2	TAPPING SCREW 3X16		9	*			
003-1	266130-9	TAPPING SCREW BIND PT 3X16	O	9				
004	123442-2	SPEED CHANGE LEVER ASSEMBLY		1				
C10	233438-6	COMPRESSION SPRING 4		2				
005	419041-9	F/R CHANGE LEVER		1				
006	632F27-4	SWITCH UNIT		1				
C10	620444-4	LED CIRCUIT		1				
C20	688172-7	LINE FILTER		1				
007	251468-5	- FLAT HEAD SCREW M6X22		1				
008	766027-7	KEYLESS DRILL CHUCK 13		1				
009	123443-0	GEAR ASSEMBLY		1				
010	632F32-1	YOKE UNIT		1	*			
010-1	632J70-7	YOKE UNIT	<	1				
011	619380-9	ARMATURE		1				
012	632F21-6	BRUSH HOLDER COMPLETE		1				
C10	688172-7	LINE FILTER		1				
D10		INC. 13						
013	194427-5	CARBON BRUSH SET CB-440		1				
014	456099-7	REAR COVER		1				
015	266429-2	TAPPING SCREW 3X16		2	*			
015-1	266130-9	TAPPING SCREW BIND PT 3X16	O	2				
016B	911006-2	PAN HEAD SCREW M3X8		1	*			
016C	911006-2	PAN HEAD SCREW M3X8		1	*			
016-1B	652066-2	+PAN HEAD SCREW M3X9 WITH W	<	1				
016-1C	652066-2	+PAN HEAD SCREW M3X9 WITH W	<	1				
016-1D	652066-2	+PAN HEAD SCREW M3X9 WITH W		1				
017	689070-8	HEAT SINK		1				
018	232182-2	LEAF SPRING		1				
019	644808-8	TERMINAL		1				
020	424476-1	CUSHION		1				
022	183B65-0	HOUSING SET		1				
C10	263005-3	RUBBER PIN 6		2				
D10		INC. 2						
023	857L26-3	DHP482 SERIAL NO. LABEL	S	1				
A01	251314-2	+ SCREW M4X12		1				

Please order the parts with part number.

Print Date 26/3/2020

Model No.DHP482 CORDLESS HAMMER DRIVER DRILL

Item	Parts No.	Description	I/C	Qty	New/Old	Opt. 1	Opt. 2	Note
A02	346317-0	HOOK		1				
A03	784637-8	+/- BIT 2-45		1				
A04C	821550-0	CONNECTOR PLASTIC CASE (TYPE2)		1				
C10	453974-8	LATCH		4				
A04D	821550-0	CONNECTOR PLASTIC CASE (TYPE2)		1				
C10	453974-8	LATCH		4				
A05C	450128-8	BATTERY COVER		1				
A05D	450128-8	BATTERY COVER		1				
A06C	***DC18RC	DC18RC FAST CHARGER		1				
A06D	***DC18RC	DC18RC FAST CHARGER		1				
A07C	197265-4	BATTERY BL1840B SET		2	*			
A07D	197280-8	BATTERY BL1850B SET		2	*			
A07-1C	197265-4	BATTERY BL1840B SET	O	2				
A07-1D	197280-8	BATTERY BL1850B SET	O	2				
A08C	837916-4	INNER TRAY		1				
A08D	837916-4	INNER TRAY		1				
A09C	808J15-9	DHP482RMJ INDICATION LABEL		1	*			
A09D	808V87-6	DHP482RTJ INDICATION LABEL		1	*			
A09-1C	816F64-8	DHP482RMJ INDICATION LABEL	O	1				
A09-1D	816F72-9	DHP482RTJ INDICATION LABEL	O	1				
A10C	808J16-7	DHP482RMJ PLASTIC CASE LABEL		2	*			
A10D	808V89-2	DHP482RTJ PLASTIC CASE LABEL		2	*			
A10-1C	816F65-6	DHP482RMJ PLASTIC CASE LABEL	X	2				
A10-1D	816F73-7	DHP482RTJ PLASTIC CASE LABEL	X	2				

Please order the parts with part number.

Print Date 26/3/2020