



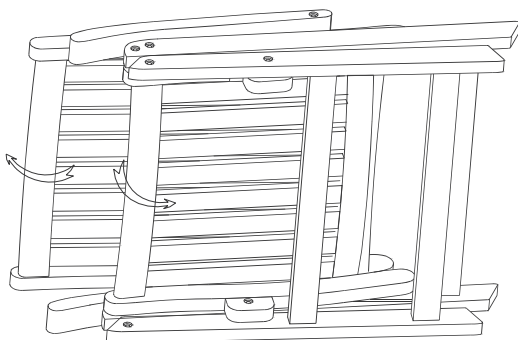
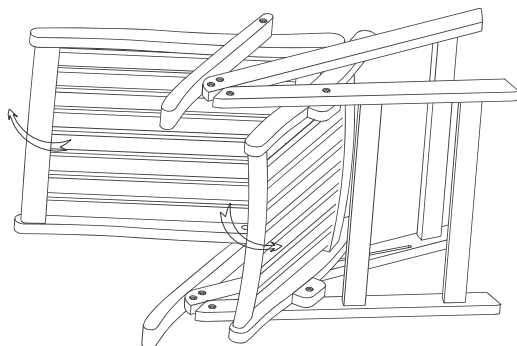
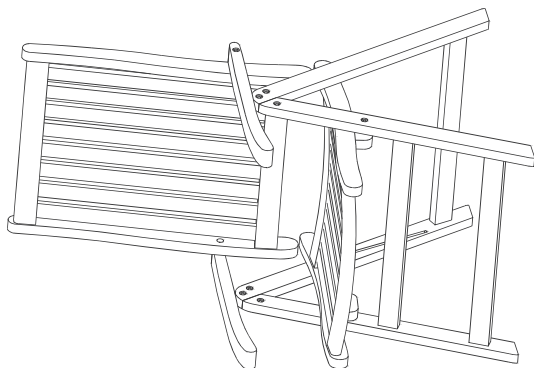
FIELDMANN®
Home & Garden Performance



FDZN 4001 - 4007

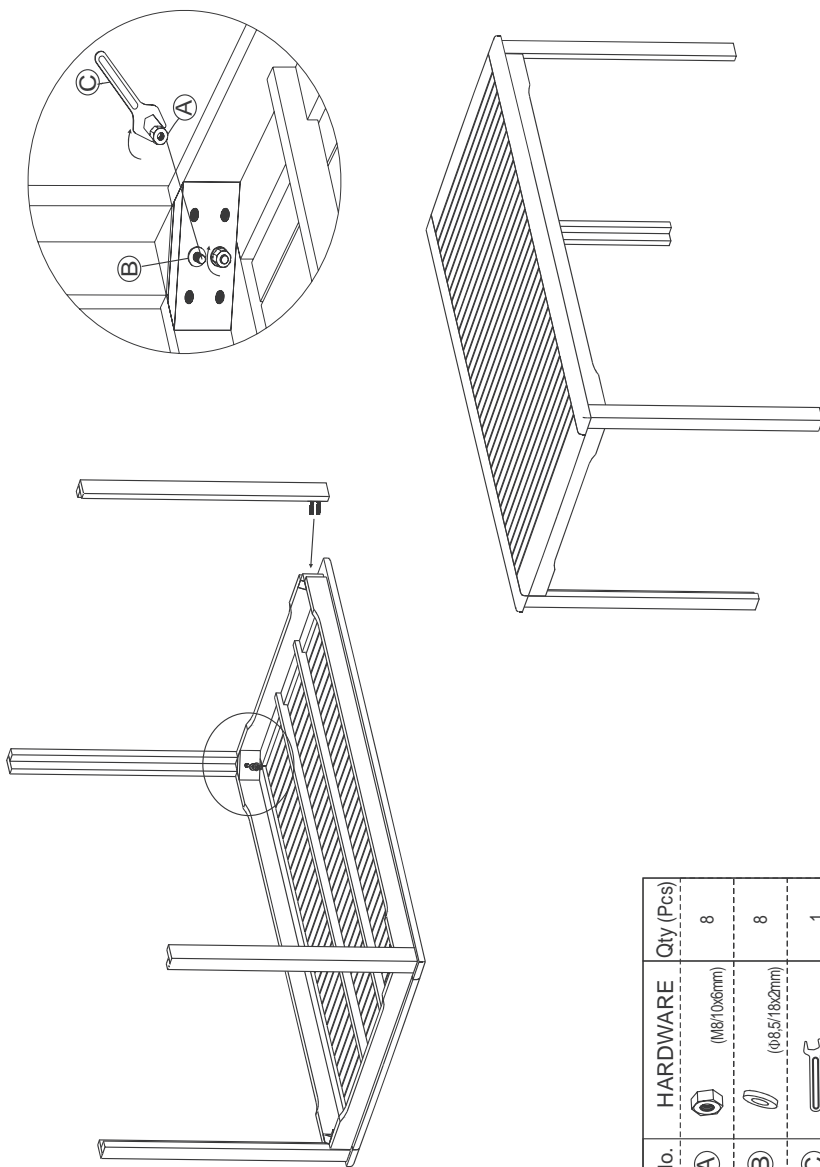
FDZN 4001	3
FDZN 4002	4
FDZN 4003	5
FDZN 4004	6
FDZN 4005	7
FDZN 4006	8
FDZN 4007	9




FDZN 4001



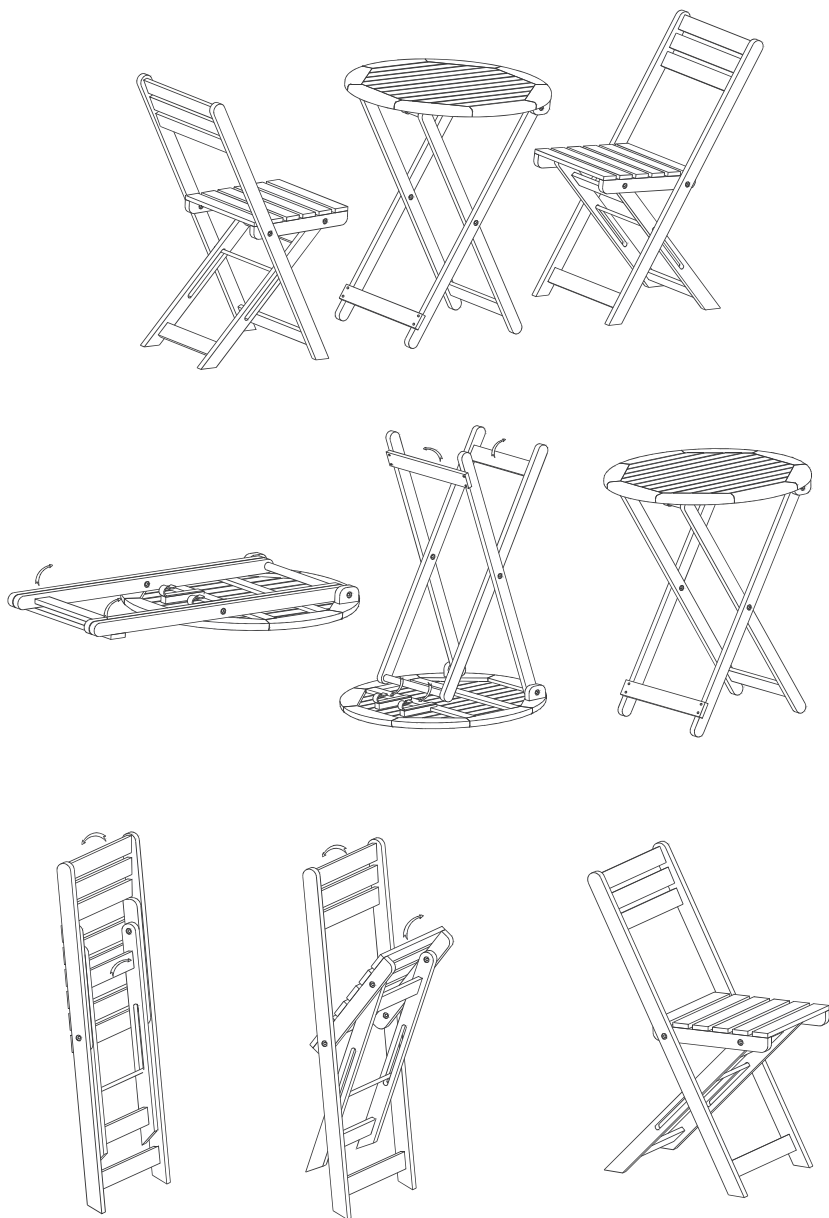
FDZN 4002

ASSEMBLY INSTRUCTION



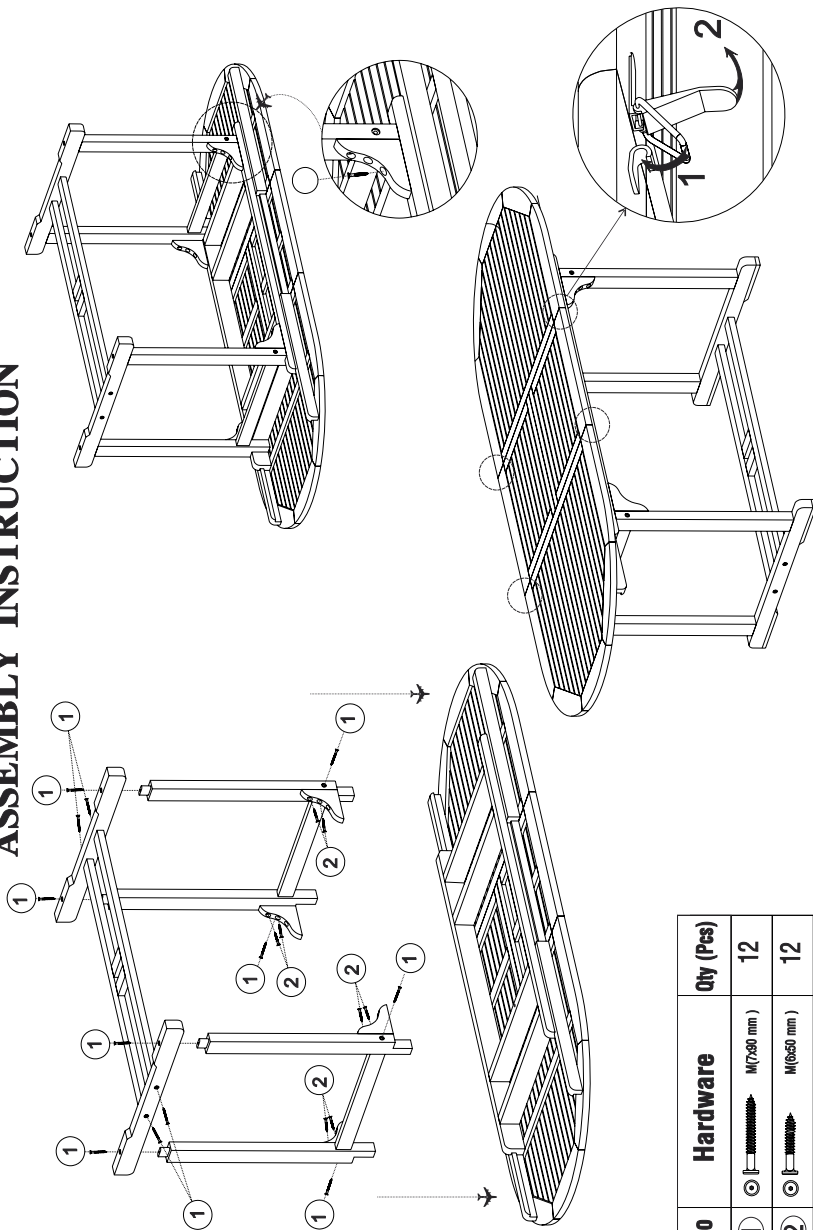
No.	HARDWARE	Qty (Pcs)
A	 (M8/10x6mm)	8
B	 (Ø8,5/18x2mm)	8
C		1

FDZN 4003



FDZN 4004

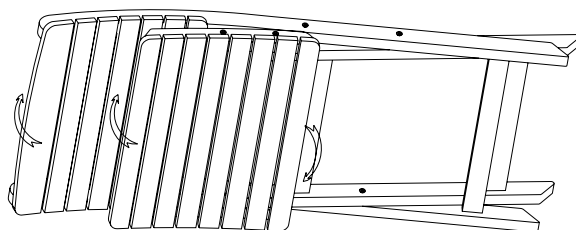
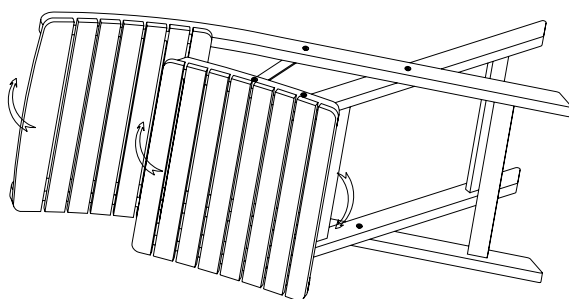
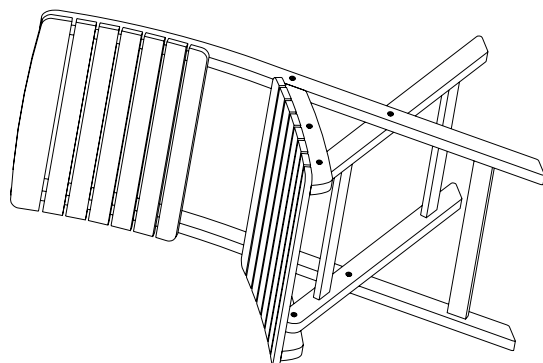
ASSEMBLY INSTRUCTION



No	Hardware	Qty (Pcs)
①	M(7x80 mm)	12
②	M(6x60 mm)	12
③	Allen Key	2

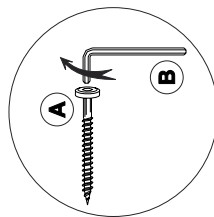
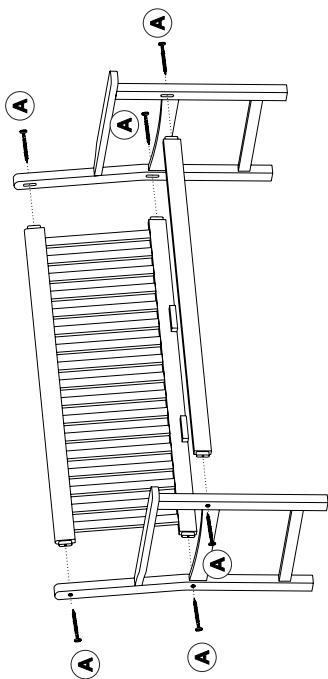
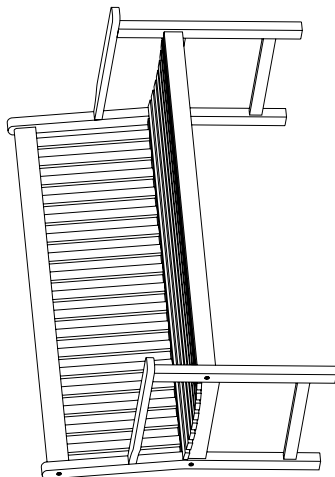
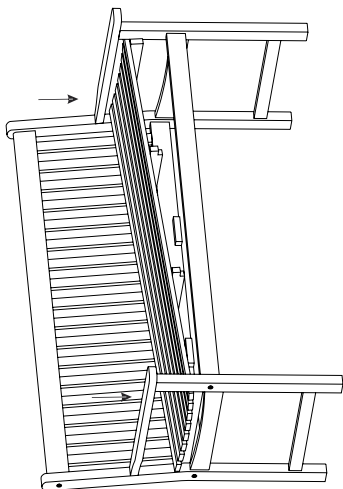
FDZN 4005



ASSEMBLY INSTRUCTION



FDZN 4006

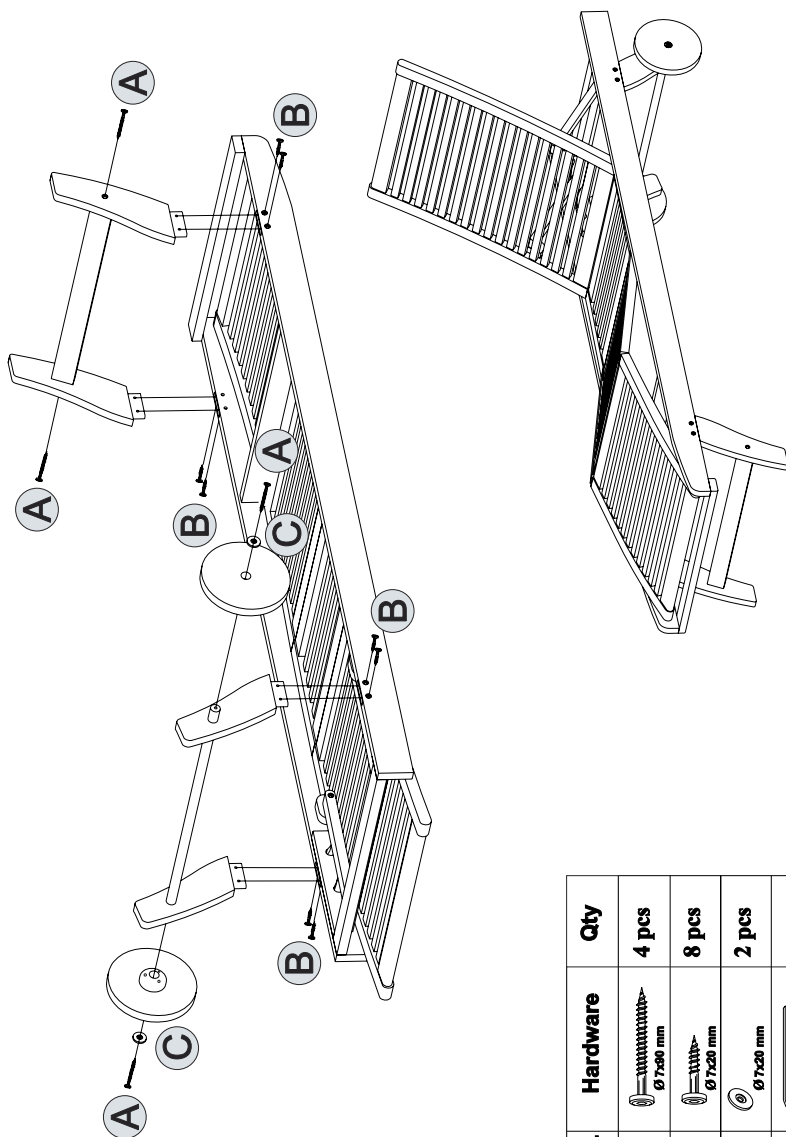
ASSEMBLY INSTRUCTION







No.	Hardware	Qty
A	 $\varnothing 7,5 \times 60$ mm	6 pcs
B	 64 mm	2 pcs

FDZN 4007

ASSEMBLY INSTRUCTION



No.	Hardware	Qty
A	 Ø 7x20 mm	4 pcs
B	 Ø 7x20 mm	8 pcs
C	 Ø 7x20 mm	2 pcs
D	 Ø 4 mm	2 pcs

