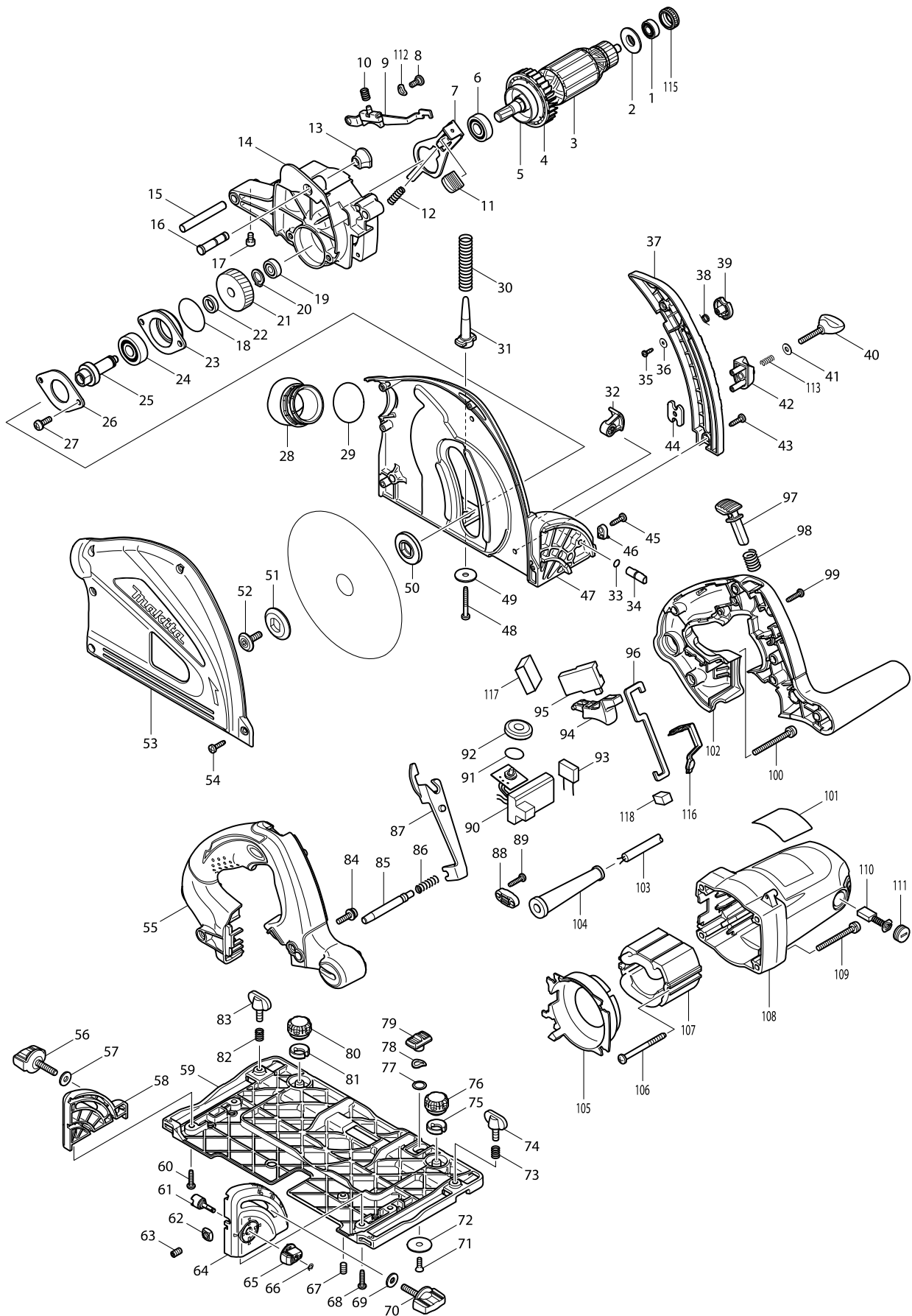


# Model No. SP6000 PLUNGE CUT CIRCULAR SAW 165MM



Item	Parts No.	Description	I/C	Qty	N/O	Opt. 1	Opt. 2	Note
001	210013-5	BALL BEARING 698VV		1				
002	681634-4	INSULATION WASHER		1				
003	513678-5	ARMATURE ASS'Y 220-240V		1				
D10		INC. 1,2,4-6						
004	240091-1	FAN 60		1				
005	345767-6	DRUM		1				
006	211131-2	BALL BEARING 6001DDW		1				
007	345742-2	SHAFT LOCK		1				
008	265011-4	+ BINDING HEAD SCREW M5		1				
009	158096-6	SHOE COMPLETE		1				
010	233480-7	COMPRESSION SPRING 7		1				
011	286275-7	CAP		1				
012	233084-5	COMPRESSION SPRING 6		1				
013	286278-1	CAP		1				
014	158092-4	GEAR HOUSING COMPLETE		1				
C10	263002-9	RUBBER PIN 4		1				
015	324716-6	PIN 8		1				
016	324708-5	STOPPER PIN 8		1				
017	265913-4	HEX. SOCKET HEAD BOLT M5X8		1				
018	213512-6	O RING 39		1				
019	211021-9	BALL BEARING 607LLB		1				
020	961052-5	RETAINING RING S-12		1				
021	226637-7	HELICAL GEAR 39		1				
022	257010-0	RING 12		1				
023	318088-9	BEARING BOX		1				
024	211129-9	BALL BEARING 6201DDW		1				
025	324707-7	SPINDLE		1				
026	285689-7	BEARING RETAINER 55		1				
027	911221-8	PAN HEAD SCREW M5X16		2				
028	419620-3	DUST NOZZLE		1				
029	213460-9	O RING 35		1				
030	233479-2	COMPRESSION SPRING 11		1				
031	419624-5	SPRING HOLDER		1				
032	158095-8	LEVER 20 COMPLETE		1				
C10	263002-9	RUBBER PIN 4		1				
033	213021-5	O RING 5		1				
034	324710-8	PIN 8		1				
035	266007-8	TAPPING SCREW BIND PT 3X10		1				
036	253821-1	FLAT WASHER 3		1				
037	419625-3	DEPTH GUIDE		1				
038	231665-9	TORSION SPRING 7		1				
039	419630-0	LOCK LEVER		1				
040	251867-1	SCREW M5X30		1				
041	941101-4	FLAT WASHER 5		1				
042	419623-7	STOPPER BLOCK		1				
043	266034-5	TAPPING SCREW CT 4X16		2				
044	345744-8	NUT PLATE		1				
045	266034-5	TAPPING SCREW CT 4X16		1				

Please order the parts with a part number.

Print Date 18/07/2016

Item	Parts No.	Description	I/C	Qty	N/O	Opt. 1	Opt. 2	Note
046	419632-6	POSITION PLATE		1				
047A	158093-2	BLADE CASE COMPLETE		1	*			
C10	233025-1	COMPRESSION SPRING 2		1	*			
C20	253874-0	FLAT WASHER 4		1	*			
C30	259008-3	PUSH NUT 4		1	*			
C40	286277-3	CAP 14		1	*			
C50	345747-2	SPACER PLATE		1	*			
047B	158093-2	BLADE CASE COMPLETE		1	*			
C10	233025-1	COMPRESSION SPRING 2		1	*			
C20	253874-0	FLAT WASHER 4		1	*			
C30	259008-3	PUSH NUT 4		1	*			
C40	286277-3	CAP 14		1	*			
C50	345747-2	SPACER PLATE		1	*			
047-1A	158547-9	BLADE CASE COMPLETE	S	1				
C10	233025-1	COMPRESSION SPRING 2		2				
C20	253874-0	FLAT WASHER 4		2				
C30	259008-3	PUSH NUT 4		2				
C40	286277-3	CAP 14		2				
C50	345747-2	SPACER PLATE		2				
047-1B	158547-9	BLADE CASE COMPLETE	S	1				
C10	233025-1	COMPRESSION SPRING 2		2				
C20	253874-0	FLAT WASHER 4		2				
C30	259008-3	PUSH NUT 4		2				
C40	286277-3	CAP 14		2				
C50	345747-2	SPACER PLATE		2				
047-1C	158547-9	BLADE CASE COMPLETE		1				
C10	233025-1	COMPRESSION SPRING 2		2				
C20	253874-0	FLAT WASHER 4		2				
C30	259008-3	PUSH NUT 4		2				
C40	286277-3	CAP 14		2				
C50	345747-2	SPACER PLATE		2				
048	266053-1	TAPPING SCREW 4X35		1				
049	253010-8	FLAT WASHER 6		1				
050	224406-0	INNER FLANGE 35		1				
051	224405-2	OUTER FLANGE 35		1				
052	266403-0	HEX. SOCKET HEAD BOLT M6		1				
053	318084-7	BLADE CASE COVER		1				
054	266034-5	TAPPING SCREW CT 4X16		5				
055	188197-6	HANDLE SET		1				
D10		INC. 102						
056	265776-8	THUMB SCREW M6X26		1				
057	253111-2	FLAT WASHER 6		1				
058	419596-4	REAR ANGULAR GUIDE		1				
059A	318085-5	BASE		1	*			
059B	318085-5	BASE		1	*			
059-1A	318179-6	BASE	S	1				
059-1B	318179-6	BASE	S	1				
059-1C	318179-6	BASE		1				

Please order the parts with a part number.

Print Date 18/07/2016

Item	Parts No.	Description	I/C	Qty	N/O	Opt. 1	Opt. 2	Note
060	265995-6	TAPPING SCREW 4X18		2				
061	324731-0	STOPPER PIN		1				
062	252157-5	SQUARE NUT M6		1				
063	266085-8	H.S.SET SCREW(FLAT POINT)M6X10		1				
064	419595-6	FRONT ANGULAR GUIDE		1				
065	419571-0	DIAL 22		1				
066	961017-7	STOP RING E-3		1				
067A	266085-8	H.S.SET SCREW(FLAT POINT)M6X10		1	*			
067B	266085-8	H.S.SET SCREW(FLAT POINT)M6X10		1	*			
067-1A	266085-8	H.S.SET SCREW(FLAT POINT)M6X10	S	2				
067-1B	266085-8	H.S.SET SCREW(FLAT POINT)M6X10	S	2				
067-1C	266085-8	H.S.SET SCREW(FLAT POINT)M6X10		2				
068	265995-6	TAPPING SCREW 4X18		2				
069	253111-2	FLAT WASHER 6		1				
070	265776-8	THUMB SCREW M6X26		1				
071	912112-6	COUNTERSUNK HEAD SCREW M4X10		1				
072	345748-0	LOCK WASHER		1				
073	231316-4	COMPRESSION SPRING 7		1				
074	265701-9	SCREW M6X14		1				
075	419627-9	HOLDER		1				
076	265775-0	THUMB SCREW M4X3		1				
077A	267070-4	FLAT WASHER 10		1	*			
077B	267070-4	FLAT WASHER 10		1	*			
077-1A	345977-5	PLATE	<	1				
077-1B	345977-5	PLATE	<	1				
077-1C	345977-5	PLATE		1				
078	253932-2	WAVE WASHER 10		1				
079	419621-1	SLIDE LEVER		1				
080	265775-0	THUMB SCREW M4X3		1				
081	419627-9	HOLDER		1				
082	231316-4	COMPRESSION SPRING 7		1				
083	265701-9	SCREW M6X14		1				
084	922232-8	HEX. SOCKET HEAD BOLT M5X20		1				
085	324709-3	LOCK PIN 8		1				
086	233267-7	COMPRESSION SPRING 7		1				
087	419631-8	LOCK PLATE		1				
088	687052-4	STRAIN RELIEF		1				
089	265995-6	TAPPING SCREW 4X18		2				
090	631729-3	CONTROLLER		1				
091	213261-5	O RING 17		1				
092	418905-4	DIAL		1				
093	645185-1	NOISE SUPPRESSOR		1				
094	419622-9	SWITCH LEVER		1				
095	651922-3	SWITCH TG71B		1				
096	345745-6	LINK PLATE		1				
097	419629-5	LOCK OFF BUTTON		1				
098	233089-5	COMPRESSION SPRING 12		1				
099	265995-6	TAPPING SCREW 4X18		6				

Please order the parts with a part number.

Print Date 18/07/2016

Item	Parts No.	Description	I/C	Qty	N/O	Opt. 1	Opt. 2	Note
100	911273-9	PAN HEAD SCREW M5X50		1				
101	862913-1	SP6000 NAME PLATE		1	*			
101-1	862913-1	SP6000 NAME PLATE	O	1	*			
101-2	862913-1	SP6000 NAME PLATE	O	1				
102	188197-6	HANDLE SET		1				
D10		INC. 55						
103	665890-4	POWER SUPPLY CORD 1.0-2-4.0		1				
104	682540-6	CORD GUARD 9.3-90		1				
105	419626-1	BAFFLE PLATE		1				
106	266044-2	TAPPING SCREW 5X60		2				
107	525743-8	FIELD ASS'Y 220-240V		1				
C10	654020-2	RING TERMINAL		2				
C20	654501-6	CONNECTOR P-1.25		2				
108	158094-0	MOTOR HOUSING COMPLETE		1				
C10	643708-9	BRUSH HOLDER 5-11		2				
109	911273-9	PAN HEAD SCREW M5X50		4				
110	191963-2	CARBON BRUSH CB-303		1				
111	643750-0	BRUSH HOLDER CAP 7-11		2				
112	267781-1	WAVE WASHER 7		1				
113	231372-4	COMPRESSION SPRING 5		1				
114A	233025-1	COMPRESSION SPRING 2		1	*			
114B	233025-1	COMPRESSION SPRING 2		1	*			
115	421479-6	RUBBER RING 19		1				
116	424047-4	PACKING		1				
117	424050-5	SPONGE		1				
118	443137-4	FELT		1				
119A	450118-1	BLOCK		1	*			
119B	450118-1	BLOCK		1	*			
120A	450119-9	LEVER		1	*			
120B	450119-9	LEVER		1	*			
121A	911013-5	PAN HEAD SCREW M3X10		1	*			
121B	911013-5	PAN HEAD SCREW M3X10		1	*			
A01	B-07353	TCT SAW BLADE 165X20X48T		1				
A02	783203-8	HEX. WRENCH 5		1				
A03A	165447-6	SUB BASE		1				
A03B	824783-6	SYSTAINER		1				
C10	453471-4	HANDLE		1				
C20	453472-2	LATCH		4				
A03C	821552-6	CONNECTOR PLASTIC CASE (TYPE4)		1				
C10	453974-8	LATCH		4				
A04B	804869-2	SP6000K PLASTIC CASE LABEL		1				
A04C	800V02-6	SP6000J INDICATION LABEL		1	*			
A04-1C	805K60-1	SP6000J INDICATION LABEL	<	1				
A05C	800V03-4	SP6000J PLASTIC CASE LABEL		2				
A07C	837804-5	INNER TRAY		1	*			
A07-1C	837945-7	INNER TRAY	<	1	*			
A07-2C	838390-9	INNER TRAY	<	1				

Please order the parts with a part number.

Print Date 18/07/2016