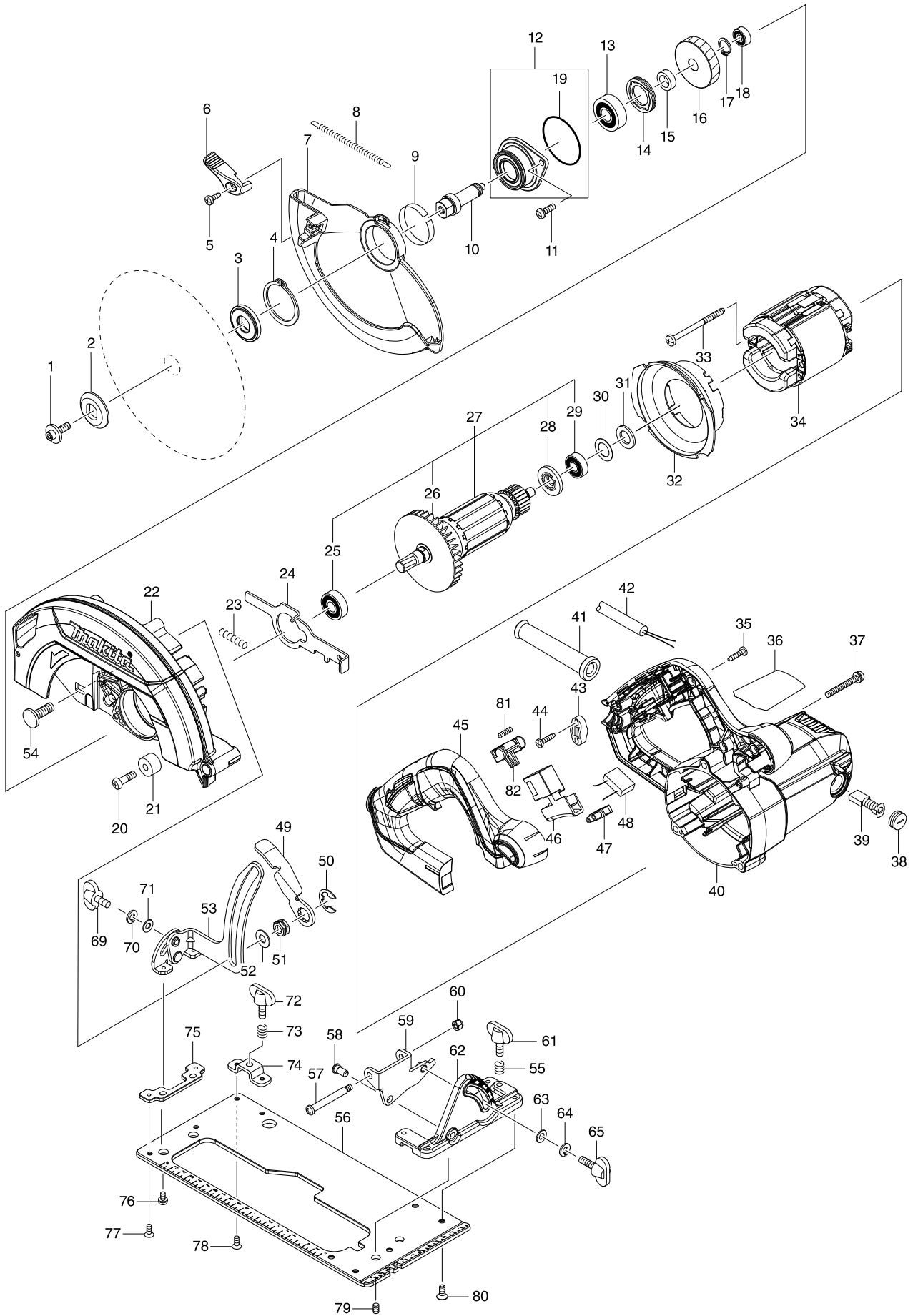


Model No. HS7611 185/190MM CIRCULAR SAW



Item	Parts No.	Description	I/C	Qty	N/O	Opt. 1	Opt. 2	Note
001	266024-8	HEX. SOCKET HEAD BOLT M6X20		1				
002	224409-4	OUTER FLANGE 35		1				
003	224593-5	INNER FLANGE 35		1				
004	961155-5	RETAINING RING S-38		1				
005	266034-5	TAPPING SCREW CT 4X16		1				
006	271444-3	LEVER 37		1				
007	319188-8	SAFETY COVER		1				
008	231887-1	TENSION SPRING 4		1				
009	345391-5	THICKNESS RING		1				
010	326444-9	SPINDLE		1				
011	911226-8	PAN HEAD SCREW M5X18		2				
012	135947-0	BEARING BOX ASSEMBLY		1				
D10		INC. 19						
013	211129-9	BALL BEARING 6201DDW		1				
014	285852-2	BEARING RETAINER 19-33		1				
015	257173-2	RING 12		1				
016	221575-8	HELICAL GEAR 43		1				
017	961052-5	RETAINING RING S-12		1				
018	210028-2	BALL BEARING 606ZZ		1				
019	213560-5	O RING 44		1				
020	265117-8	+PAN HEAD SCREW M6X20		1				
021	262556-3	RUBBER SLEEVE 6		1				
022	144729-9	BLADE CASE COMPLETE		1				
C10	213415-4	O RING 28		1				
023	233117-6	COMPRESSION SPRING 6		1				
024	347284-2	SHAFT LOCK		1				
025	211131-2	BALL BEARING 6001DDW		1				
026	241876-8	FAN 76		1				
027	515433-1	ARMATURE ASSEMBLY 220V		1				
D10		INC. 25,26,28,29						
028	681644-1	INSULATION WASHER		1				
029	210005-4	BALL BEARING 608DDW		1				
030	253192-6	FLAT WASHER 14		1				
031	261109-5	RUBBER WASHER 13		1				
032	458033-3	BAFFLE PLATE		1				
033	266352-1	TAPPING SCREW 5X65		2				
034	594679-2	FIELD ASSY 220-240V		1				
C10	654020-2	RING TERMINAL		2				
C20	654501-6	CONNECTOR P-1.25		2				
C30	689055-4	RING TERMINAL RETAINER 15.5		2				
035	266326-2	TAPPING SCREW 4X18		5				
036	854B74-3	HS7611 NAME PLATE		1				
037	265104-7	PAN HEAD SCREW M5X40		3				
038	643750-0	BRUSH HOLDER CAP 7-11		2				
039	191963-2	CARBON BRUSH CB-303		1				
040	144767-1	MOTOR HOUSING COMPLETE		1				
C10	643708-9	BRUSH HOLDER 5-11		2				
041	682540-6	CORD GUARD 9.3-90		1				

Please order the parts with a part number.

Print Date 12/12/2017

