

P.I.T.

PSW400-C



CLEAN WATER PUMP
ДРЕНАЖНЫЙ НАСОС

400W

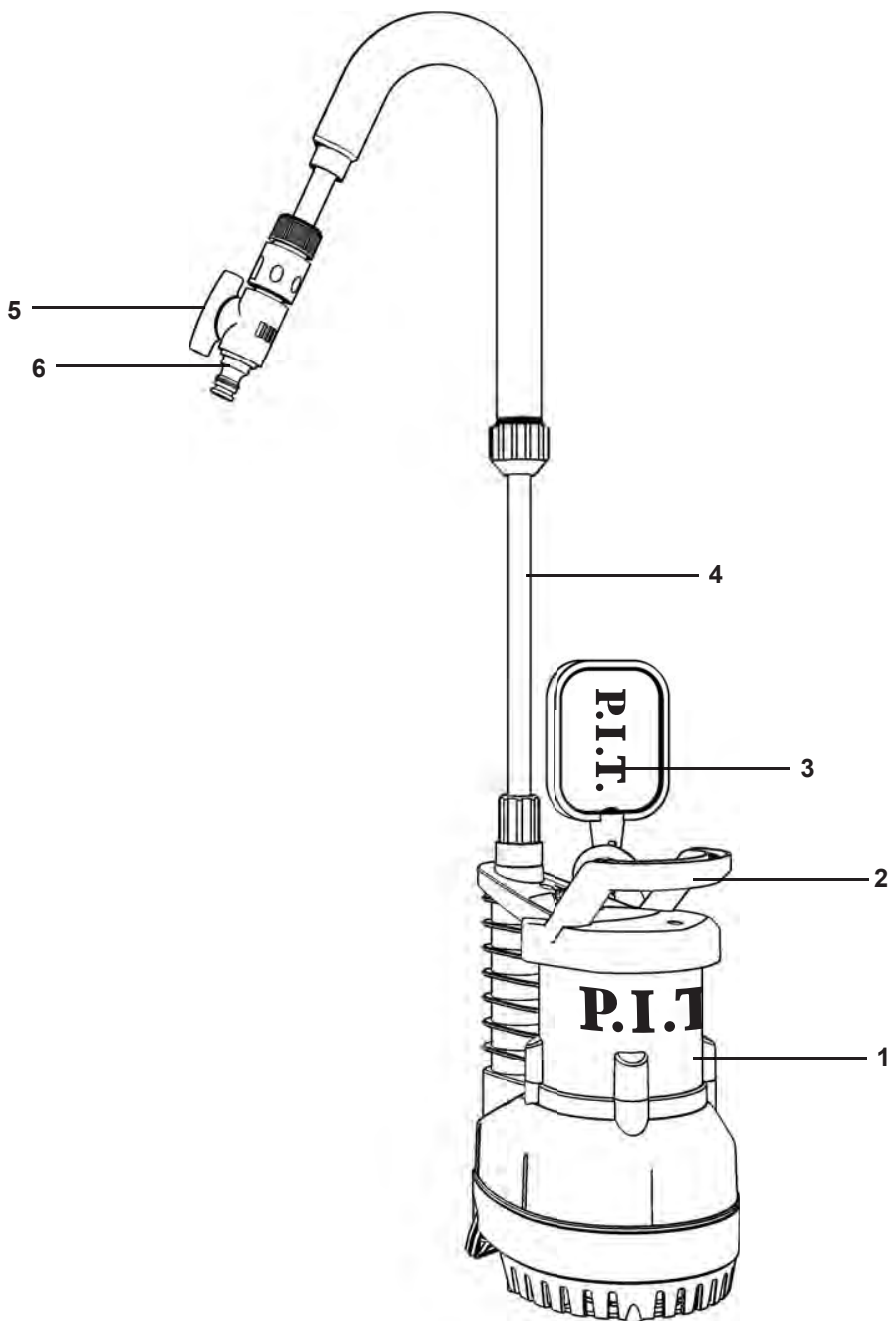
**Powerful
Efficient**

Please read the instruction manual carefully before use!

Пожалуйста, внимательно прочтите инструкцию перед использованием!



ERC



English Safety Instructions

General Power Tool Safety Warnings



WARNING Read all safety warnings and all instructions.

Failure to follow the warnings and instructions may result in electric shock, fire and/or serious injury.

ATTENTION!

- ▶ Do not use the product without protective grounding!
- ▶ Installation of a residual current device (RCD) with a rated leakage current of 30 mA is mandatory!
- ▶ The installation of the product and the electrical outlet for connecting it to the mains must be carried out by qualified electricians.
- ▶ To avoid accidents, it is strictly forbidden to carry out any repair / maintenance work on the equipment without disconnecting it from the electrical network.
- ▶ The product is intended for pumping **ONLY** fresh water. DO NOT use the pump for pumping salt water, solvents, corrosive, flammable or explosive liquids, liquid food, faeces.
- ▶ Do not allow the pump to run dry (without water intake) and / or with a blocked supply channel.
- ▶ Do not block the water intake holes of the product.
- ▶ To avoid product damage, DO NOT turn ON or USE the product at temperatures below 1 ° C, and do not leave it working overnight if frost is possible.
- ▶ The pump is cooled by the surrounding water. Therefore, do not operate the product outside of water and do not use in bodies of water or tanks with water temperatures above 35 ° C.
- ▶ Do not repair or disassemble the product yourself.

Electrical safety

ATTENTION! If the safety instructions are not followed, there is a risk of electric shock.

- ▶ The product is intended for use in **FULL** immersion. Monitor the condition of the mains cable insulation, do not damage the insulation. When connecting the product to the mains, use only grounded sockets - this will help to avoid electric shock.
- ▶ Unsuitable extension cords can be hazardous. Outdoors, use only approved and

appropriately marked extension cords with sufficient wire cross-section.

- ▶ Do not use the mains power cable to transport or fix the instrument.
- ▶ When disconnecting the appliance from the mains, pull the plug, not the cable.
- ▶ Be careful not to pinch the power cord or rub it against sharp edges.
- ▶ Install the device in a rack and over-fill-proof position.
- ▶ The mains voltage must correspond to the voltage specified in the technical specifications.
- ▶ DO NOT operate the pump in water bodies (ponds, pools), in which there are or may be people, and it is also forbidden for people to be in a water body with the pump running.
- ▶ Electrical connections must only be made by a qualified electrician.

Safety of people

- ▶ For safety reasons, persons under the age of 16 or those who have not read this manual must not be allowed to work with the device.
- ▶ The pump is not intended for use by persons with reduced physical or mental capabilities or lack of experience and knowledge of the user, unless he is supervised and instructed in the use of the device by a person responsible for safety.
- ▶ It is forbidden to operate and service the pump while in a state of extreme fatigue, alcoholic, drug intoxication or under the influence of strong medications.
- ▶ Keep children and pets away from the pump while it is running. Children should be supervised to ensure that they do not play with the device.

Safety instructions for working with the pump

- ▶ Any use of the pump in violation of the rules of ego operation is considered improper use. Damage resulting from use for other purposes is solely the responsibility of the user.
- ▶ The pump is not intended for professional or industrial use. Long-term continuous use is not allowed.
- ▶ Unauthorized modifications to the pump design, as well as the use of parts that have not passed the tests and are not approved for use by the manufacturer,

are prohibited.

- ▶ It is forbidden to pump explosive, flammable, corrosive or health hazardous substances, as well as water containing mechanical impurities in the form of sand, stones, etc.
- ▶ The pump is not suitable for pumping chlorine-containing water in swimming pools.
- ▶ Not recommended for pumping drinking water.
- ▶ When starting the pump for the first time, ensure that it is completely filled with water. It is not allowed to operate the pump without water consumption.
- ▶ Air entering the suction line is not allowed.
- ▶ To avoid freezing, the water must be completely drained from the pump and from the suction and pressure lines.

Product Description and Specifications



Read all the safety and general instructions.

Failure to observe the safety and general instructions may result in electric shock, fire and/or serious injury.

Please observe the illustrations at the beginning of this operating manual.

Intended use

Submersible drainage pump is designed to pump only clean fresh water. It can be used for pumping water from reservoirs, organizing water intake from a depth (wells) and supplying it to a height, to protect basements and other premises from flooding; for drainage of reservoirs, reservoirs, pits and use in aeration and drainage systems, taking into account the technical characteristics of the model.

The product is not intended for continuous operation (continuous pumping mode).

Product Features

The numbering of the product features refers to the diagram of the power tool on the graphics page.

1. Pump casing
2. Handle for carrying the pump
3. Float switch
4. Telescopic boom
5. Shut-off valve
6. Nutzer

Technical Data

Model	PSW400-C
Rated voltage	220 V~/50 Hz

Model	PSW400-C
Rated power	400 W
Max. flow	6 m ³ /h
Max. head	11m
Outlet diameter	Ø25 mm
Weight	4,75 Kg

Contents of delivery

Submersible drainage pump	1 pc
Float switch	1 pc
Rod with flexible spout	1 pc
Shut-off valve	1 pc
Outlet nipple	1 pc
Instruction manual	1 pc

Note

Text and numbers may contain technical errors and typographical errors.

Since the product is constantly being improved, P.I.T. reserves the right to make changes to the specifications and product specifications specified here without prior notice.

Installation

- ▶ Check the power cable for damage, if found, contact an authorized service center for replacement. Make sure that the parameters of the power supply network correspond to those indicated in the table, otherwise the pump will not be able to perform its functions in full or may fail.
- ▶ Make sure the outlet line or hose is clear, not clogged or pinched before use. Check and if necessary clean the water intake of the pump.
- ▶ Screw on the supplied L-shaped outlet. A flexible hose can be connected to the branch pipe. Please note that the pump performance depends on the diameter of the hose, the smaller the diameter of the connected hose, the lower the pump performance. The minimum permissible diameter of the connected hose is 25 mm.
- ▶ Adjust the length of the float switch wire by attaching the wire to the hole in the pump body. This allows you to adjust the immersion depth and the automatic cut-off depth. If the water level falls below the level of the float switch, the pump will shut off. This protects the pump from running dry. The float switch can be forcibly locked in order to pump out liquid to the level of the water intake holes. Fasten the float switch vertically in the slots on the pump housing. Make sure that the intake holes are always covered with water. Otherwise, if the water

runs out and the pump runs dry, the pump parts will wear out quickly and the pump may fail.

Place the pump on a firm, clean (no sediment) base or, if depth permits, hang it from the carry handle using a rope or cable (sold separately). Do not suspend the pump by the power cable. The free space around the pump should be at least 50x50 cm. When the pump is first immersed in water, tilt it, so you remove air from the water intake part. Otherwise, the initial start-up of the pump will be difficult due to the air lock. Connect the pump to the power supply. In automatic mode, the pump will turn on and off when the float switch reaches certain positions. If you need to finish work, disconnect the power plug from the mains.

Exploitation

Open the tap 5.

Connect the product to the mains. The pump will start automatically (depending on the position of the float switch).

By turning the tap regulator 5, set the desired water flow rate.

Note! The pump does not have an automatic shutdown system in the absence of water flow through it. Therefore, ALWAYS turn on the tap first, then turn on the product. It is not allowed to operate the pump with a closed water supply pipeline and "dry" (without water intake).

To switch off the pump at the end of the work, unplug the power plug.

Note! To prevent water from draining from the pipeline when the pump is turned off, we recommend installing a non-return valve (not included in the delivery set).

Before long-term storage, as well as when cleaning for the winter, disconnect the hoses from the product and completely drain the water from the hoses and the product.

Maintenance and Cleaning

► **All maintenance work must be carried out with the cable disconnected from the mains.**

If the pump is not used for a long time, it must be disconnected from the mains.

The pump does not need any special maintenance. It is periodically necessary to check the water intake part, if it becomes dirty, clean it.

Service

► **Have your power tool repaired only by qualified personnel and only with original replacement parts. This ensures the safety of the power tool.**

The list of authorized service centers can be viewed on the official website of P.I.T. by the link: <https://pittools.ru/services/>

Storage and transportation

Storage:

Store clean, in a dry ventilated area, away from heat sources.

Products can be transported by any type of closed transport in the manufacturer's packaging or without it, while preserving the product from mechanical damage, atmospheric precipitation.

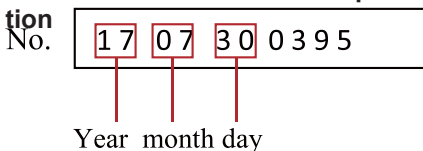


Dispose of waste

Damaged power tools, batteries, accessories and waste packaging materials must be recycled and reused in an environmentally friendly manner.

Do not throw power tools and accumulators / batteries into general household waste!

Product serial number interpretation



The first and second digits of the product serial number from left to right

Year of production, the third and fourth digits indicate the month of production, the fifth and sixth digits indicate the production day.

TERMS OF WARRANTY SERVICE

1. This Warranty Certificate is the only document that confirms your right to free warranty service. Without presenting this certificate, no claims are accepted. In case of loss or damage, the warranty certificate is not restored.

2. The warranty period for the electric machine is 12 months from the date of sale, during the warranty period the service department eliminates manufacturing defects and replaces parts that have failed due to the fault of the manufacturer free of charge. In the warranty repair, an equivalent operable product is not provided. Replaceable parts become property of service providers.

P.I.T is not liable for any damage that may be caused by operation of the electric machine.

3. Only clean tool accompanied with the following duly executed documents: this Warranty Certificate, Warranty Card, with all fields filled out, bearing the stamp of the trade organization and the signature of the buyer, shall

be accepted for warranty repair.

4. Warranty repair is not performed in the following cases:

- damage to the pumping part or its parts as a result of the pump running dry (without water) or during prolonged operation with a closed pressure pipeline.

- in the absence of a Warranty Certificate and a Warranty Card or their incorrect execution;

- with failure of both a rotor and a stator of the electric engine, charring or melting of primary winding of the welding machine transformer, charging or starting-charging device, with internal parts melting, burn down of electronic circuit boards;

- if a Warranty Certificate or a Warranty Card does not correspond to this electric machine or to the form established by the supplier;

- upon expiration of the warranty period;

- at attempts of opening or repair of the electric machine outside the warranty workshop; making constructive changes and lubrication of the tool during the warranty period, as evidenced, for example, by the creases on the spline parts of the fasteners of non-rotational parts.

- when using electric tools for production or other purposes connected with making a profit, as well as in case of malfunctions related to instability of the power network parameters exceeding the norms established by GOST;

- in the events of improper operation (use the electric machine for other than intended purposes, attachments to the electric machine of attachments, accessories, etc. not provided by the manufacturer);

- with mechanical damage to the case, power cord and in case of damages caused by aggressive agents and high and low temperatures, ingress of foreign objects in the ventilation grids of the electric machine, as well as in case of damage resulting from improper storage (corrosion of metal parts);

- natural wear and tear on the parts of the electric machine, as a result of long-term operation (determined on the basis of the signs of full or partial depletion of the specified mean life, great contamination, presence of rust outside and inside the electric machine, waste lubricant in the gearbox);

- use of the tool the purposes for other than specified in the operating instructions.

- mechanical damages to the tool;

- in the event of damages due to non-observance of the operating conditions specified in the instruction (see chapter "Safety Precau-

tions" of the Manual).

- damage to the product due to non-observance of the rules of storage and transportation.

- in case of strong internal contamination of the tool.

Preventive maintenance of electric machines (cleaning, washing, lubrication, replacement of anthers, piston and sealing rings) during the warranty period is a paid service.

The service life of the product is 3 years. Shelf life is 2 years. It is not recommended for operation after 2 years of storage from the date of manufacture, which is indicated in the serial number on the label of the instrument, without preliminary verification (for the definition of the date of manufacture, see the User's Manual earlier).

The owner is notified of any possible violations of the above terms of warranty service upon completion of diagnostics in the service center.

The owner of the tool entrusts the diagnostic procedure to be conducted in the service center in his absence.

Do not operate the electric machine when there are signs of excessive heat, sparking, or noise in the gearbox. To determine the cause of the malfunction, the buyer should contact the warranty service center.

Malfunctions caused by late replacement of carbon brushes of the engine are eliminated at the expense of the buyer.

5. The warranty does not cover:

- replacement accessories (accessories and components), for example: batteries, discs, blades, drill bits, borers, chucks, chains, sprockets, collet clamps, guide rails, tension and fastening elements, trimming device heads, base of grinding and belt sander machines, hexagonal heads, etc.,

- fast wearing parts, for example: carbon brushes, drive belts, seals, protective covers, guiding rollers, guides, rubber seals, bearings, toothed belts and wheels, shanks, brake belts, starter ratchets and ropes, piston rings, etc. Their replacement during the warranty period is a paid service;

- power cords, in case of damage to the insulation, power cords are subject to mandatory replacement without the consent of the owner (paid service);

- tool case.

Русский

Указания по технике безопасности

Общие указания по технике безопасности для электроинструментов



ПРЕДУПРЕЖДЕНИЕ

Прочтите все указания и инструкции по технике безопасности.

Несоблюдение указаний и инструкций по технике безопасности может стать причиной поражения электрическим током, пожара и тяжелых травм.

ВНИМАНИЕ!

- ▶ Не допускайте эксплуатации изделия без защитного заземления!
- ▶ Установка устройства защитного отключения (УЗО) номинальным током утечки 30 мА обязательна!
- ▶ Монтаж изделия и электрической розетки для его подключения электросети должны выполнять квалифицированные специалисты по электромонтажным работам.
- ▶ Во избежание несчастных случаев, категорически запрещается производить какие-либо ремонтные/обслуживающие работы на оборудовании без отключения его от электрической сети.
- ▶ Изделие предназначено для перекачивания ТОЛЬКО пресной воды. НЕ ИСПОЛЬЗУЙТЕ насос для перекачивания соленой воды, растворителей, агрессивных, легковоспламеняющихся и взрывчатых жидкостей, жидких пищевых продуктов, фекалий.
- ▶ Не допускайте работу насоса «всухую» (без забора воды) и/или с открытым подающим каналом.
- ▶ Не закрывайте водозаборные отверстия изделия.
- ▶ Во избежание выхода изделия из строя НЕ ВКЛЮЧАЙТЕ и НЕ ИСПОЛЬЗУЙТЕ изделие при температурах ниже 1°C, а также не оставляйте его работающим на ночь при возможности заморозков.
- ▶ Насос охлаждается окружающей водой. Поэтому не допускайте работы изделия вне воды и не используйте в водоемах или резервуарах с температурой воды выше 35°C.
- ▶ Не ремонтируйте и не разбирайте изделие самостоятельно.

Электробезопасность

ВНИМАНИЕ! При несоблюдении указаний по технике безопасности существует опасность поражения электрическим током.

- ▶ Изделие предназначено для эксплуатации при ПОЛНОМ погружении. Следите за состоянием изоляции сетевого кабеля, не допускайте повреждения изоляции. При подключении изделия в сеть электропитания используйте только розетки с заземлением – это поможет избежать удара электрическим током.
- ▶ Неподходящие электрические удлинители могут представлять опасность. Вне помещений следует использовать только допущенные для использования и соответственно маркированные электрические удлинители с достаточным поперечным сечением провода.
- ▶ Не используйте сетевой кабель питания для транспортировки или фиксации прибора.
- ▶ При отсоединении прибора от сети питания необходимо тянуть за штепсельную вилку, а не за кабель.
- ▶ Следите за тем, чтобы сетевой кабель не заземлялся и не терся об острые края.
- ▶ Устанавливайте устройство в стойком и защищенном от перелива положении.
- ▶ Напряжение в сети должно соответствовать напряжению, указанному в технических характеристиках.
- ▶ ЗАПРЕЩАЕТСЯ эксплуатация насоса в водоемах (прудах, бассейнах), в которых находятся или могут находиться люди, а также запрещается людям находиться в водоеме с работающим насосом.
- ▶ Электрические соединения должны выполняться только квалифицированным электриком.

Безопасность людей

- ▶ В целях безопасности лица моложе 16 лет, а также лица, не ознакомившиеся с данным руководством, не должны допускаться до работы с устройством.
- ▶ Насос не предназначен для использования лицами с ограниченными физическими или умственными способностями или при отсутствии у

пользователя опыта и знаний, если он не находится под контролем и не проинструктирован об использовании устройства лицом, ответственным за безопасность.

- ▶ Запрещается эксплуатировать и обслуживать насос, находясь в состоянии сильной усталости, алкогольного, наркотического опьянения или под воздействием сильнодействующих медицинских препаратов.
- ▶ Дети и домашние животные не должны находиться вблизи насоса во время его работы. Следите за тем, чтобы дети не играли с устройством.

Указания по технике безопасности при работе с насосом

- ▶ Любое использование насоса с нарушением правил его эксплуатации считается использованием не по назначению. За ущерб, возникший в результате использования не по назначению, ответственность несёт только пользователь.
- ▶ Насос не предназначен для профессионального или промышленного использования. Не допускается длительное непрерывное использование.
- ▶ Запрещается самовольное внесение изменений в конструкцию насоса, а также использование деталей, не прошедших испытания и не разрешённых к применению изготовителем.
- ▶ Запрещается перекачивание взрывоопасных, горючих, агрессивных или опасных для здоровья веществ, а также воды, содержащей механические примеси в виде песка, камней, и т. п.
- ▶ Насос не предназначен для перекачивания хлорсодержащей воды в плавательных бассейнах.
- ▶ Не рекомендуется для перекачивания питьевой воды.
- ▶ При первом запуске насоса необходимо обеспечить его полное заполнение водой. не допускается работа насоса без расхода воды.
- ▶ Не допускается попадание воздуха во всасывающую магистраль.
- ▶ Во избежании замерзания необходимо полностью слить воду из насоса, а также всасывающей и напорной магистралей.

Описание продукта и услуг



Прочтите все указания и инструкции по технике безопасности.

Несоблюдение указаний по технике безопасности и инструкций может привести к поражению электрическим током, пожару и/или тяжелым травмам.

Пожалуйста, соблюдайте иллюстрации в начале руководства по эксплуатации.

Применение по назначению

Насос предназначен для перекачивания только чистой пресной воды. Может применяться для перекачивания воды из водоемов, организации забора воды с глубины (колодцы) и подачи на высоту, для защиты от затопления подвальных и иных помещений; для осушения водоемов, резервуаров, котлованов и использования в системах аэрации и дренажа с учетом технических характеристик модели.

Изделие не предназначено для продолжительной работы (режим длительной перекачки).

Устройство насоса

Общий вид инструмента представлен на странице с иллюстрациями.

1. Корпус насоса
2. Рукоятка для переноски насоса
3. Поплавковый выключатель
4. Телескопическая штанга
5. Запорный вентиль
6. Штуцер

Технические данные

Модель	PSW400-C
Номинальное напряжение/частота	220 В / 50 Гц
Номинальная мощность	400 Вт
Производительность	6 м ³ / ч
Напор	11м
Диаметр выхода	Ø25 мм
Вес	4,75 кг

Комплект поставки

Погружной дренажный насос	1 шт.
Поплавковый выключатель	1 шт.
Штанга с гибким изливом	1 шт.
Запорный кран	1 шт.
Штуцер выходной	1 шт.
Инструкция пользователя	1 шт.

Примечание

В тексте и цифровых обозначениях могут быть допущены технические ошибки и опечатки.

Так как изделие постоянно совершенствуется, P.I.T. оставляет за собой право на внесение изменений в указанные здесь технические характеристики и комплектацию изделия без предварительного уведомления.

Установка

- ▶ Проверьте провод питания на предмет наличия повреждений, при обнаружении обратитесь в авторизованный сервисный центр для замены. Удостоверьтесь, что параметры сети питания соответствуют необходимым, указанным в таблице, иначе насос не сможет выполнять свои функции в полном объеме или может выйти из строя.
- ▶ Перед использованием удостоверьтесь, что выпускной трубопровод или шланг имеет проходимость, не засорен и не пережат. Проверьте и при необходимости очистите водозаборную часть насоса.
- ▶ Прикрутите поставляемый в комплекте выходной Г-образный патрубок. К патрубку можно подключить гибкий шланг. Обратите внимание, что производительность насоса, зависит от диаметра шланга, чем меньше диаметр подключенного шланга, тем меньше производительность насоса. Минимально допустимый диаметр подключаемого шланга — 25 мм.
- ▶ Отрегулируйте длину провода поплавкового выключателя, закрепив его провод в отверстие на корпусе насоса. Тем самым вы регулируете глубину погружения и глубину автоматического срабатывания отключения. Если уровень воды опустится ниже уровня поплавкового выключателя, насос отключится. Тем самым обеспечивается защита насоса от работы без воды. Поплавковый выключатель можно принудительно зафиксировать для того, чтобы откачивать жидкость до уровня отверстий водозаборной части. Закрепите поплавковый выключатель в вертикальном положении в специальные прорези на корпусе насоса. Следите за тем, чтобы заборные отверстия всегда оставались покрытыми водой. В противном случае, если вода закончится, и насос будет работать всухую, детали насоса быстро изнашиваются и насос может выйти из строя.

Установите насос на твердое чистое (без осадка) основание или, если позволяет глубина, подвесьте его за ручку для переноски, используя веревку или трос (приобретаются отдельно). Запрещено подвешивать насос за провод питания. Свободное пространство вокруг насоса должно быть не менее чем 50х50 см. При первом погружении насоса в воду, наклоните его, таким образом, вы удалите из водозаборной части воздух. Иначе первоначальный запуск насоса будет затруднен из-за воздушной пробки. Включите насос в сеть питания. В автоматическом режиме насос будет включаться и выключаться при достижении поплавковым выключателем определенных положений. При необходимости закончить работу, отключите вилку провода питания от сети.

Эксплуатация

Откройте кран 5.

Подключите изделие к электрической сети. Насос начнет работать автоматически (в зависимости от положения поплавкового выключателя).

Вращением регулятора крана 5 установите желаемый расход воды.

Примечание! Насос не имеет системы автоматического отключения при отсутствии расхода воды через него. Поэтому ВСЕГДА сначала открывайте кран, потом включайте изделие. Не допускается работа насоса с перекрытым трубопроводом подачи воды и «всухую» (без забора воды).

Для выключения насоса по окончании работы выньте вилку из электрической розетки.

Примечание! Для предотвращения слива воды из трубопровода при выключении насоса рекомендуем установить обратный клапан (в комплект поставки не входит).

Перед длительным хранением, а также при уборке на зимнее время, отсоедините от изделия шланги и полностью слейте воду из шлангов и изделия.

Техобслуживание и сервис

Техобслуживание и очистка

- ▶ **Все работы по техническому обслуживанию должны проводиться при отключенном от сети кабеле.**

Если насос не используется длительное время, он должен быть отключен от сети.

Насос не нуждается в специальном обслуживании. Периодически необходимо провешивать водозаборную часть, при ее загрязне-

нии следует ее прочистить.

Сервис

► Ремонт вашего электроинструмента поручайте только квалифицированному персоналу и только с применением оригинальных запасных частей. Этим обеспечивается безопасность электроинструмента.

Список авторизованных сервисных центров можно посмотреть на официальном сайте P.I.T. по ссылке: <https://pittools.ru/services/>

Хранение и транспортировка

Хранение:

Хранить в чистом виде, в сухом проветриваемом помещении, вдали от источников тепла.

Транспортировать продукцию можно любым видом закрытого транспорта в упаковке производителя или без нее, с сохранением изделия от механических повреждений, атмосферных осадков.

Утилизация



При утилизации пришедшего в негодность насоса примите все меры, чтобы не нанести вреда окружающей среде.

Не стоит самостоятельно пытаться утилизировать насос. Настоятельно рекомендуется обратиться в специальную службу.

Расшифровка даты изготовления изделия

№.

1	7	0	7	3	0	0	3	9	5
---	---	---	---	---	---	---	---	---	---

год месяц день

Дата изготовления изделия зашифрована в серийном номере, напечатанном на корпусе инструмента. Первые 2 цифры обозначают год выпуска, следующие 2 цифры – месяц и следующие 2 цифры – день.

УСЛОВИЯ ГАРАНТИЙНОГО ОБСЛУЖИВАНИЯ

1. Настоящее гарантийное свидетельство является единственным документом, подтверждающим ваше право на бесплатное гарантийное обслуживание. Без предъявления данного свидетельства претензии не принимаются. В случае утери или порчи гарантийного свидетельства не восстанавливается.

2. Гарантийный срок на электроинструмент,

а также зарядные устройства и аккумуляторные батареи серии OnePower составляет 12 месяцев со дня продажи, в течение гарантийного срока сервисная служба бесплатно устраняет производственные дефекты и производит замену деталей, вышедших из строя по вине изготовителя. На период гарантийного ремонта эквивалентный исправный инструмент не предоставляется. Заменяемые детали переходят в собственность служб сервиса.

Компания P.I.T. не несет ответственности за вред, который может быть причинен при работе с электроинструментом.

3. В гарантийный ремонт инструмент принимается в чистом виде, при обязательном наличии надлежащим образом оформленных документов: настоящего гарантийного свидетельства, гарантийного талона, с полностью заполненными полями, штампом торговой организации и подписью покупателя.

4. Гарантийный ремонт не производится в следующих случаях:

- повреждение насосной части или ее частей вследствие работы насоса всухую (без воды) или при длительной работе с закрытым напорным трубопроводом.

- при отсутствии гарантийного свидетельства и гарантийного талона или неправильном их оформлении;

- при совместном выходе из строя якоря и статора электродвигателя, при обугливаниях или оплавлении первичной обмотки трансформатора сварочного аппарата, зарядного или пуско-зарядного устройства, при оплавлении внутренних деталей, прожиге электронных плат;

- если гарантийное свидетельство или талон не принадлежат данному электроинструменту или не соответствует установленному поставщиком образцу;

- по истечении срока гарантии;

- при попытках самостоятельного вскрытия или ремонта электроинструмента вне гарантийной мастерской;

- внесения конструктивных изменений и смазки инструмента в гарантийный период, о чем свидетельствуют, например, заломы на шлицевых частях крепежа корпусных деталей.

- при использовании электроинструмента в производственных или иных целях, связанных с получением прибыли, а также при возникновении неисправностей связанных с нестабильностью параметров электросе-

ти, превышающих нормы, установленные ГОСТ;

- при неправильной эксплуатации (использование электроинструмента не по назначению, установки на электроинструмент не предназначенных заводом-изготовителем насадок, дополнительных приспособлений и т.п.;

- при механических повреждениях корпуса, сетевого шнура и при повреждениях, вызванных воздействиями агрессивных средств и высоких и низких температур, попадании инородных предметов в вентиляционные решетки электроинструмента, а также при повреждениях, наступивших в результате неправильного хранения (коррозия металлических частей);

- при естественном износе деталей электроинструмента, в результате длительной эксплуатации (определяется по признакам полной или частичной выработки ресурса, сильного загрязнения, ржавчины снаружи и внутри электроинструмента, отработанной смазки в редукторе);

- использование инструмента не по назначению, указанному в инструкции по эксплуатации.

- при механических повреждениях инструмента;

- при возникновении повреждений в связи с несоблюдением предусмотренных инструкцией условий эксплуатации (см. главу «Указание по технике безопасности» в инструкции).

- повреждение изделия вследствие несоблюдения правил хранения и транспортировки.

- при сильном внутреннем загрязнении инструмента.

Профилактическое обслуживание электроинструмента (чистка, промывка, смазка, замена пыльников, поршневых и уплотнительных колец) в гарантийный период является платной услугой.

Срок службы изделия составляет 3 года. Срок хранения – 2 года. Не рекомендуется к эксплуатации по истечении 2 лет хранения с даты изготовления, которая указана в серийном номере на этикетке инструмента, без предварительной проверки (определение даты выпуска смотрите ранее в Руководстве пользователя).

О возможных нарушениях, изложенных выше условий гарантийного обслуживания, владельцу сообщается после проведения диагностики в сервисном центре.

Владелец инструмента доверяет проведение диагностики в сервисном центре в свое отсутствие.

Запрещается эксплуатация электроинструмента при проявлении признаков повышенного нагрева, искрения, а также шума в редукторной части. Для выяснения причин неисправности покупателю следует обратиться в гарантийную мастерскую.

Неисправности, вызванные несвоевременной заменой угольных щеток двигателя, устраняются за счет покупателя.

5. Гарантия не распространяется на:

- сменные принадлежности (аксессуары и оснастка), например: аккумуляторы, диски, ножи, сверла, буры, патроны, цепи, звездочки, цанговые зажимы, шины, элементы натяжения и крепления, головки триммеров, подошвы шлифовальных и ленточных машин, фильтры, головки шестигранные сменные насадки и т.п.

- быстроизнашивающиеся детали, например: угольные щетки, приводные ремни, сальники, защитные кожухи, направляющие ролики, направляющие, резиновые уплотнения, подшипники, зубчатые ремни и колеса, стволы, ленты тормоза, храповики и тросы стартеров, поршневые кольца и т.п.

Замена их в течение гарантийного срока является платной услугой.

-шнуры питания, в случае повреждения изоляции, шнуры питания подлежат обязательной замене без согласия владельца (услуга платная), в т.ч. корпуса инструмента.

P.I.T. WARRANTY CERTIFICATE

Product Name _____

Product Serial Number Charger Serial Number

Sale Date _____

Trade Organization Name _____

Place of seal

Dear customer!

Thank you for purchasing the P.I.T. tool, and we hope that you will be satisfied with your choice. In the process of manufacturing the P.I.T. tools pass multilevel quality control, if nevertheless your product will need maintenance, please contact the authorized P.I.T. service centers.

Attention!

When buying, ask a seller to check the completeness and operability of the tool, to fill out the Warranty Certificate, the Warranty Card (the boxes shall be filled out by a seller) and to affix the seal of the trade organization in the Guarantee Certificate and the Warranty Card.

Warranty

By this Warranty Certificate, P.I.T. company guarantees the absence of defects of the production nature.

In the event any of the above defects are detected during the warranty period, the specialized P.I.T. service centers shall repair the product and replace the defective spare parts free of charge.

The warranty period for P.I.T. electric machines is 12 months from the date of sale.

“The warranty maintenance terms acknowledged and accepted. The operability and completeness of the product are checked in my presence. No claims on quality and appearance.”

Buyer's Signature _____ Surname (legibly) _____

Phone _____

ГАРАНТИЙНОЕ СВИДЕТЕЛЬСТВО НА ИНСТРУМЕНТ P.I.T.

Наименование изделия _____

Серийный номер изделия □□□□□□□□□□

Серийный номер зарядного устройства □□□□□□□□□□

Дата продажи « ____ » _____

Наименование торговой организации _____

Уважаемый покупатель!



Благодарим Вас за покупку инструмента P.I.T. и надеемся, что Вы останетесь довольны своим выбором.

При необходимости обслуживания Вашего изделия обращайтесь в авторизованные сервисные центры P.I.T. Все сервисные центры представлены на сайте www.pittools.ru

Внимание!

При покупке требуйте у продавца проверки работоспособности инструмента и его комплектности, а также заполнения гарантийного свидетельства, гарантийного талона (графы «Заполняются продавцом») и простановки печати торговой организации в гарантийном свидетельстве и гарантийных талонах.

Гарантия

На основании данного гарантийного свидетельства компания P.I.T. гарантирует отсутствие дефектов производственного характера.

Если в течение гарантийного срока в Вашем изделии обнаружатся указанные дефекты, то специализированные сервисные центры P.I.T. бесплатно отремонтируют изделие и заменят дефектные запасные части.

Гарантийный срок на электроинструменты P.I.T. составляет 12 месяцев со дня продажи.

«С условиями гарантийного обслуживания ознакомлен(а). Работоспособность и комплектность изделия проверены в моем присутствии. Претензий к качеству и внешнему виду не имею».

Подпись покупателя _____ Фамилия (разборчиво) _____

Телефон _____

P.I.T. WARRANTY CARD

		P.I.T.		№ 1	
Name _____ Serial Number _____ Sale Date _____ Date of Receipt from Repair _____ 20__	Name _____				
	Serial Number _____				
	Sale Date _____ 20__		Place of Seal		
	(Filled out by a Seller)				
	WARRANTY REPAIR CARD				
	Date of Acceptance for Repair _____ 20__				
	Application for Repair _____				
	Customer _____				
	Phone (Address) _____				
	Cause of Application _____				
Date of Receipt from Repair _____ 20__					
The Tool is checked in my presence _____					
(The Order shall be performed in a Service Center) (Signature)					

		P.I.T.		№ 2	
Name _____ Serial Number _____ Sale Date _____ Date of Receipt from Repair _____ 20__	Name _____				
	Serial Number _____				
	Sale Date _____ 20__		Place of Seal		
	(Filled out by a Seller)				
	WARRANTY REPAIR CARD				
	Date of Acceptance for Repair _____ 20__				
	Application for Repair _____				
	Customer _____				
	Phone (Address) _____				
	Cause of Application _____				
Date of Receipt from Repair _____ 20__					
The Tool is checked in my presence _____					
(The Order shall be performed in a Service Center) (Signature)					

		P.I.T.		№ 3	
Name _____ Serial Number _____ Sale Date _____ Date of Receipt from Repair _____ 20__	Name _____				
	Serial Number _____				
	Sale Date _____ 20__		Place of Seal		
	(Filled out by a Seller)				
	WARRANTY REPAIR CARD				
	Date of Acceptance for Repair _____ 20__				
	Application for Repair _____				
	Customer _____				
	Phone (Address) _____				
	Cause of Application _____				
Date of Receipt from Repair _____ 20__					
The Tool is checked in my presence _____					
(The Order shall be performed in a Service Center) (Signature)					

ГАРАНТИЙНЫЙ ТАЛОН P.I.T.

P.I.T.

Талон № 1

Наименование _____

Серийный номер _____

Дата продажи « ____ » ____ 20__

Place of Seal

(Заполняется продавцом)

КАРТА ГАРАНТИЙНОГО РЕМОНА

Дата приема ремонт ____ 20__

Заявка на ремонт _____

Заказчик _____

Телефон (адрес) _____

Причина обращения _____

Дата получения от ремонта ____ 20__

Инструмент проверен в моем присутствии _____

(Заказ заполняется в Сервисном Центре) (Подпись)

Наименование _____
 Серийный номер _____
 Дата продажи ____ 20__
 Дата получения от ремонта ____ 20__

P.I.T.

Талон № 2

Наименование _____

Серийный номер _____

Дата продажи « ____ » ____ 20__

Place of Seal

(Заполняется продавцом)

КАРТА ГАРАНТИЙНОГО РЕМОНА

Дата приема ремонт ____ 20__

Заявка на ремонт _____

Заказчик _____

Телефон (адрес) _____

Причина обращения _____

Дата получения от ремонта ____ 20__

Инструмент проверен в моем присутствии _____

(Заказ заполняется в Сервисном Центре) (Подпись)

Наименование _____
 Серийный номер _____
 Дата продажи ____ 20__
 Дата получения от ремонта ____ 20__

P.I.T.

Талон № 3

Наименование _____

Серийный номер _____

Дата продажи « ____ » ____ 20__

Place of Seal

(Заполняется продавцом)

КАРТА ГАРАНТИЙНОГО РЕМОНА

Дата приема ремонт ____ 20__

Заявка на ремонт _____

Заказчик _____

Телефон (адрес) _____

Причина обращения _____

Дата получения от ремонта ____ 20__

Инструмент проверен в моем присутствии _____

(Заказ заполняется в Сервисном Центре) (Подпись)

Наименование _____
 Серийный номер _____
 Дата продажи ____ 20__
 Дата получения от ремонта ____ 20__



www.pit-tools.com

P.I.T.

Поставщик / производитель: Xinjiang Longbo Industrial Co., Ltd./Синьцзян Лонгбо Индастриал Ко., Лтд.

Адрес производства: Rm. 602, 6th Floor, No. 531, Weixing Road, Economic And Technological Development Zone, Urumqi, Xinjiang, China / Оф.602, 6 этаж, №531, Вейшинг Род, Экономик Энд Технолоджикал Девелопмент Зон, Урумчи, Синьцзян, Китай

Импортер/ организация, уполномоченная принимать претензии: ООО «Турбо-Тулс»

Юридический адрес: 117246, г. Москва, ул. Херсонская, 43 - 670

Вопросы и предложения направляйте по адресу: 614058, г. Пермь, ул. Фоминская, 36

Горячая линия по сервисному обслуживанию:



***2445**

Звонок с мобильного
бесплатный

info@pittools.ru

Сделано в КНР / Made in China



TM.by
ONLINE STORE

<https://tm.by>
Интернет-магазин