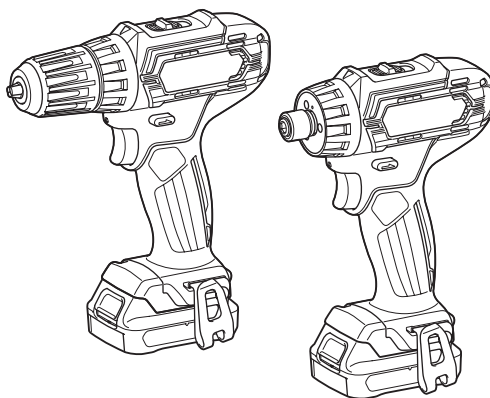
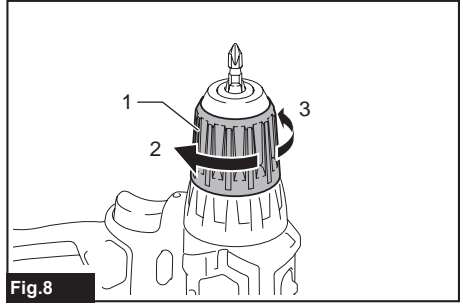
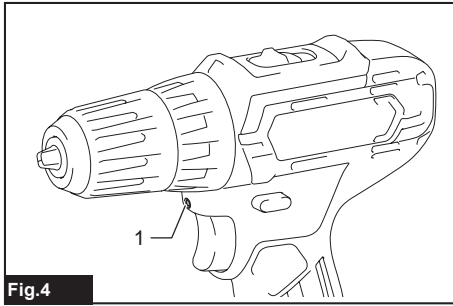
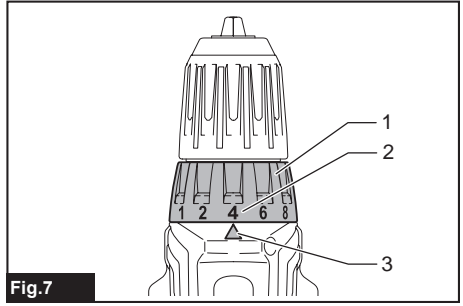
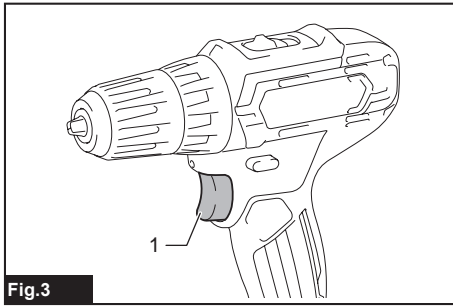
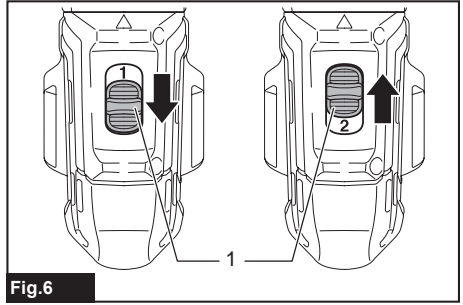
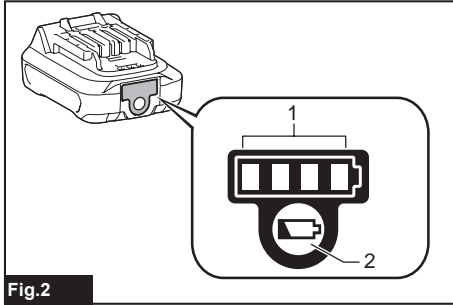
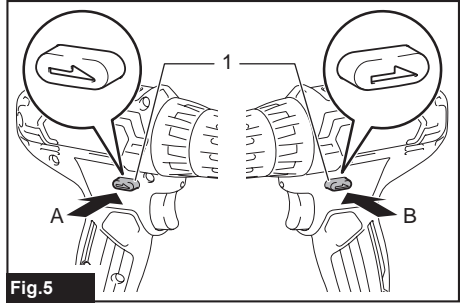
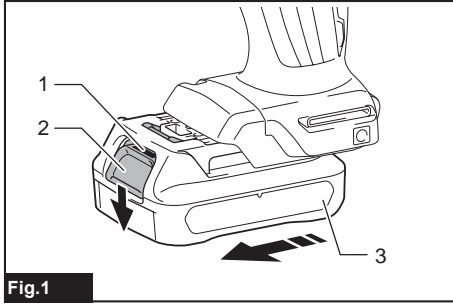


EN	Cordless Driver Drill	INSTRUCTION MANUAL	5
SL	Brezžični vijačni vrtalnik	NAVODILA ZA UPORABO	11
SQ	Trapan me bateri	MANUALI I PËRDORIMIT	18
BG	Акумулаторна бормашина с винтоверт	РЪКОВОДСТВО ЗА ЕКСПЛОАТАЦИЯ	25
HR	Bežična udarna bušilica	PRIRUČNIK S UPUTAMA	33
MK	Безжична шрафцигер-дупчалка	УПАТСТВО ЗА УПОТРЕБА	39
SR	Бежична бушилица	УПУТСТВО ЗА УПОТРЕБУ	46
RO	Mașină de găurit și înșurubat cu acumulator	MANUAL DE INSTRUCȚIUNI	53
UK	Дриль із бездротовим приводом	ІНСТРУКЦІЯ З ЕКСПЛУАТАЦІЇ	60
RU	Акумулаторная дрель-шуруповерт	РУКОВОДСТВО ПО ЭКСПЛУАТАЦИИ	67

DF333D DF033D





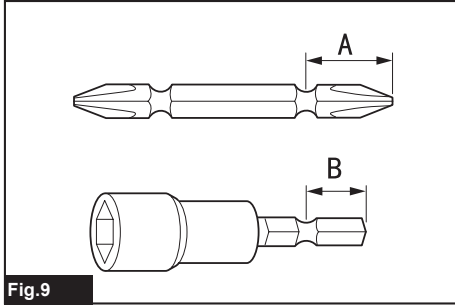


Fig.9

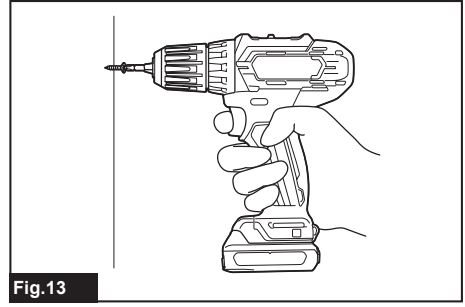


Fig.13

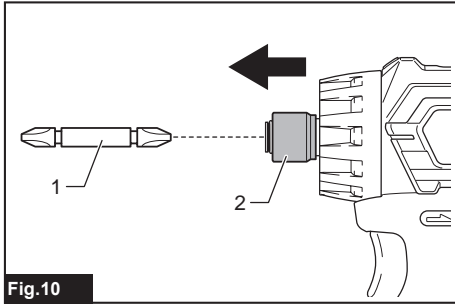


Fig.10

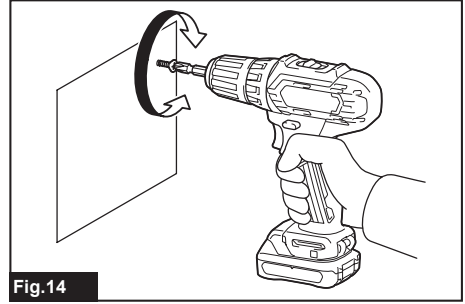


Fig.14

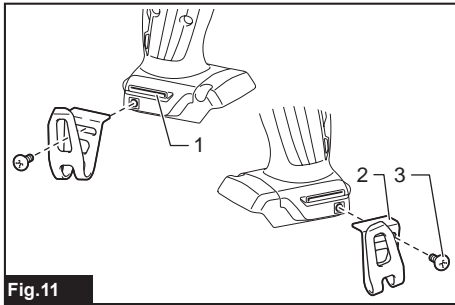


Fig.11

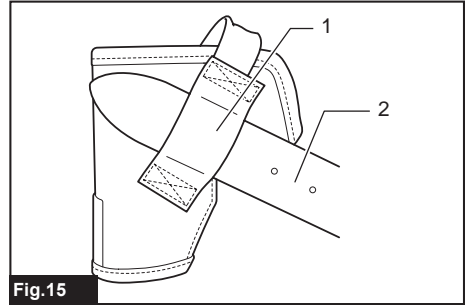


Fig.15

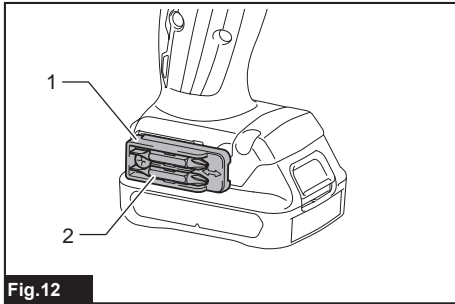


Fig.12

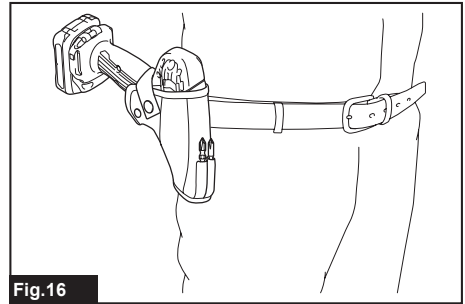


Fig.16

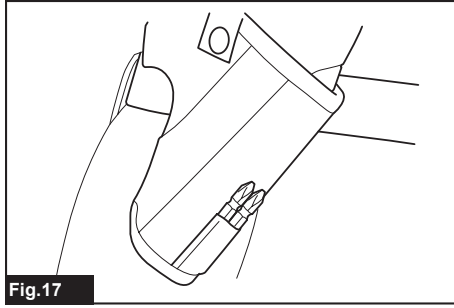


Fig.17

SPECIFICATIONS

Model:		DF333D	DF033D
Drilling capacities	Steel	10 mm	
	Wood	21 mm	
Fastening capacities	Wood screw	5.1 mm x 63 mm	
	Machine screw	M6	
No load speed	High (2)	0 - 1,700 min ⁻¹	
	Low (1)	0 - 450 min ⁻¹	
Overall length		179 mm	149 mm
Rated voltage		D.C. 10.8 V - 12 V max	
Net weight		1.1 - 1.2 kg	0.93 - 1.1 kg

- Due to our continuing program of research and development, the specifications herein are subject to change without notice.
- Specifications may differ from country to country.
- The weight may differ depending on the attachment(s), including the battery cartridge. The lightest and heaviest combination, according to EPTA-Procedure 01/2014, are shown in the table.

Applicable battery cartridge and charger

Battery cartridge	BL1015 / BL1016 / BL1020B / BL1021B / BL1040B / BL1041B
Charger	DC10SA / DC10SB / DC10WC / DC10WD / DC18RE

- Some of the battery cartridges and chargers listed above may not be available depending on your region of residence.

⚠ WARNING: Only use the battery cartridges and chargers listed above. Use of any other battery cartridges and chargers may cause injury and/or fire.

Intended use

The tool is intended for drilling and screw driving in wood, metal and plastic.

Noise

The typical A-weighted noise level determined according to EN62841-2-1:

Model DF333D

Sound pressure level (L_{pA}): 70 dB(A) or less
Uncertainty (K): 3 dB(A)

The noise level under working may exceed 80 dB (A).

Model DF033D

Sound pressure level (L_{pA}): 70 dB(A) or less
Uncertainty (K): 3 dB(A)

The noise level under working may exceed 80 dB (A).

NOTE: The declared noise emission value(s) has been measured in accordance with a standard test method and may be used for comparing one tool with another.

NOTE: The declared noise emission value(s) may also be used in a preliminary assessment of exposure.

⚠ WARNING: Wear ear protection.

⚠ WARNING: The noise emission during actual use of the power tool can differ from the declared value(s) depending on the ways in which the tool is used especially what kind of workpiece is processed.

⚠ WARNING: Be sure to identify safety measures to protect the operator that are based on an estimation of exposure in the actual conditions of use (taking account of all parts of the operating cycle such as the times when the tool is switched off and when it is running idle in addition to the trigger time).

Vibration

The vibration total value (tri-axial vector sum) determined according to EN62841-2-1:

Model DF333D

Work mode: drilling into metal
Vibration emission ($a_{h,D}$): 2.5 m/s² or less
Uncertainty (K): 1.5 m/s²

Model DF033D

Work mode: drilling into metal
Vibration emission ($a_{h,D}$): 2.5 m/s² or less
Uncertainty (K): 1.5 m/s²

NOTE: The declared vibration total value(s) has been measured in accordance with a standard test method and may be used for comparing one tool with another.

NOTE: The declared vibration total value(s) may also be used in a preliminary assessment of exposure.

⚠ WARNING: The vibration emission during actual use of the power tool can differ from the declared value(s) depending on the ways in which the tool is used especially what kind of workpiece is processed.

⚠ WARNING: Be sure to identify safety measures to protect the operator that are based on an estimation of exposure in the actual conditions of use (taking account of all parts of the operating cycle such as the times when the tool is switched off and when it is running idle in addition to the trigger time).

EC Declaration of Conformity

For European countries only

The EC declaration of conformity is included as Annex A to this instruction manual.

SAFETY WARNINGS

General power tool safety warnings

⚠ WARNING: Read all safety warnings, instructions, illustrations and specifications provided with this power tool. Failure to follow all instructions listed below may result in electric shock, fire and/or serious injury.

Save all warnings and instructions for future reference.

The term "power tool" in the warnings refers to your mains-operated (corded) power tool or battery-operated (cordless) power tool.

Cordless driver drill safety warnings

Safety instructions for all operations

1. Hold the power tool by insulated gripping surfaces, when performing an operation where the cutting accessory or fasteners may contact hidden wiring. Cutting accessory or fasteners contacting a "live" wire may make exposed metal parts of the power tool "live" and could give the operator an electric shock.
2. Always be sure you have a firm footing. Be sure no one is below when using the tool in high locations.
3. Hold the tool firmly.
4. Keep hands away from rotating parts.
5. Do not leave the tool running. Operate the tool only when hand-held.

6. Do not touch the drill bit or the workpiece immediately after operation; they may be extremely hot and could burn your skin.
7. Some material contains chemicals which may be toxic. Take caution to prevent dust inhalation and skin contact. Follow material supplier safety data.
8. If the drill bit cannot be loosened even you open the jaws, use pliers to pull it out. In such a case, pulling out the drill bit by hand may result in injury by its sharp edge.

Safety instructions when using long drill bits

1. Never operate at higher speed than the maximum speed rating of the drill bit. At higher speeds, the bit is likely to bend if allowed to rotate freely without contacting the workpiece, resulting in personal injury.
2. Always start drilling at low speed and with the bit tip in contact with the workpiece. At higher speeds, the bit is likely to bend if allowed to rotate freely without contacting the workpiece, resulting in personal injury.
3. Apply pressure only in direct line with the bit and do not apply excessive pressure. Bits can bend causing breakage or loss of control, resulting in personal injury.

SAVE THESE INSTRUCTIONS.

⚠ WARNING: DO NOT let comfort or familiarity with product (gained from repeated use) replace strict adherence to safety rules for the subject product. MISUSE or failure to follow the safety rules stated in this instruction manual may cause serious personal injury.

Important safety instructions for battery cartridge

1. Before using battery cartridge, read all instructions and cautionary markings on (1) battery charger, (2) battery, and (3) product using battery.
2. Do not disassemble battery cartridge.
3. If operating time has become excessively shorter, stop operating immediately. It may result in a risk of overheating, possible burns and even an explosion.
4. If electrolyte gets into your eyes, rinse them out with clear water and seek medical attention right away. It may result in loss of your eyesight.
5. Do not short the battery cartridge:
 - (1) Do not touch the terminals with any conductive material.
 - (2) Avoid storing battery cartridge in a container with other metal objects such as nails, coins, etc.
 - (3) Do not expose battery cartridge to water or rain.A battery short can cause a large current flow, overheating, possible burns and even a breakdown.

6. Do not store the tool and battery cartridge in locations where the temperature may reach or exceed 50 °C (122 °F).
7. Do not incinerate the battery cartridge even if it is severely damaged or is completely worn out. The battery cartridge can explode in a fire.
8. Be careful not to drop or strike battery.
9. Do not use a damaged battery.
10. The contained lithium-ion batteries are subject to the Dangerous Goods Legislation requirements.
For commercial transports e.g. by third parties, forwarding agents, special requirement on packaging and labeling must be observed.
For preparation of the item being shipped, consulting an expert for hazardous material is required. Please also observe possibly more detailed national regulations.
Tape or mask off open contacts and pack up the battery in such a manner that it cannot move around in the packaging.
11. **When disposing the battery cartridge, remove it from the tool and dispose of it in a safe place. Follow your local regulations relating to disposal of battery.**
12. **Use the batteries only with the products specified by Makita.** Installing the batteries to non-compliant products may result in a fire, excessive heat, explosion, or leak of electrolyte.
13. **If the tool is not used for a long period of time, the battery must be removed from the tool.**

SAVE THESE INSTRUCTIONS.

CAUTION: Only use genuine Makita batteries.

Use of non-genuine Makita batteries, or batteries that have been altered, may result in the battery bursting causing fires, personal injury and damage. It will also void the Makita warranty for the Makita tool and charger.

Tips for maintaining maximum battery life

1. **Charge the battery cartridge before completely discharged. Always stop tool operation and charge the battery cartridge when you notice less tool power.**
2. **Never recharge a fully charged battery cartridge. Overcharging shortens the battery service life.**
3. **Charge the battery cartridge with room temperature at 10 °C - 40 °C (50 °F - 104 °F). Let a hot battery cartridge cool down before charging it.**

FUNCTIONAL DESCRIPTION

CAUTION: Always be sure that the tool is switched off and the battery cartridge is removed before adjusting or checking function on the tool.

Installing or removing battery cartridge

CAUTION: Always switch off the tool before installing or removing of the battery cartridge.

CAUTION: Hold the tool and the battery cartridge firmly when installing or removing battery cartridge. Failure to hold the tool and the battery cartridge firmly may cause them to slip off your hands and result in damage to the tool and battery cartridge and a personal injury.

► Fig.1: 1. Red indicator 2. Button 3. Battery cartridge

To remove the battery cartridge, slide it from the tool while sliding the button on the front of the cartridge.

To install the battery cartridge, align the tongue on the battery cartridge with the groove in the housing and slip it into place. Insert it all the way until it locks in place with a little click. If you can see the red indicator on the upper side of the button, it is not locked completely.

CAUTION: Always install the battery cartridge fully until the red indicator cannot be seen. If not, it may accidentally fall out of the tool, causing injury to you or someone around you.

CAUTION: Do not install the battery cartridge forcibly. If the cartridge does not slide in easily, it is not being inserted correctly.

Battery protection system

The tool is equipped with a battery protection system. This system automatically cuts off power to the motor to extend battery life.

The tool will automatically stop during operation if the tool and/or battery are placed under one of the following conditions:

Overloaded:

The tool is operated in a manner that causes it to draw an abnormally high current. In this situation, turn the tool off and stop the application that caused the tool to become overloaded. Then turn the tool on to restart.

If the tool does not start, the battery is overheated. In this situation, let the battery cool before turning the tool on again.

Low battery voltage:

The remaining battery capacity is too low and the tool will not operate. If you turn the tool on, the motor runs again but stops soon. In this situation, remove and recharge the battery.

Indicating the remaining battery capacity

Only for battery cartridges with the indicator

► Fig.2: 1. Indicator lamps 2. Check button

Press the check button on the battery cartridge to indicate the remaining battery capacity. The indicator lamps light up for a few seconds.

Indicator lamps		Remaining capacity
Lighted	Off	
■ ■ ■ ■		75% to 100%
■ ■ ■ □		50% to 75%
■ ■ □ □		25% to 50%
■ □ □ □		0% to 25%

NOTE: Depending on the conditions of use and the ambient temperature, the indication may differ slightly from the actual capacity.

Switch action

► Fig.3: 1. Switch trigger

CAUTION: Before installing the battery cartridge into the tool, always check to see that the switch trigger actuates properly and returns to the "OFF" position when released.

To start the tool, simply pull the switch trigger. Tool speed is increased by increasing pressure on the switch trigger. Release the switch trigger to stop.

Lighting up the front lamp

► Fig.4: 1. Lamp

CAUTION: Do not look in the light or see the source of light directly.

Pull the switch trigger to light up the lamp. The lamp keeps on lighting while the switch trigger is being pulled. The lamp goes out approximately 10 seconds after releasing the switch trigger.

NOTE: Use a dry cloth to wipe the dirt off the lens of the lamp. Be careful not to scratch the lens of lamp, or it may lower the illumination.

Reversing switch action

► Fig.5: 1. Reversing switch lever

CAUTION: Always check the direction of rotation before operation.

CAUTION: Use the reversing switch only after the tool comes to a complete stop. Changing the direction of rotation before the tool stops may damage the tool.

CAUTION: When not operating the tool, always set the reversing switch lever to the neutral position.

This tool has a reversing switch to change the direction of rotation. Depress the reversing switch lever from the A side for clockwise rotation or from the B side for counterclockwise rotation.

When the reversing switch lever is in the neutral position, the switch trigger cannot be pulled.

Speed change

► Fig.6: 1. Speed change lever

CAUTION: Always set the speed change lever fully to the correct position. If you operate the tool with the speed change lever positioned halfway between the "1" side and "2" side, the tool may be damaged.

CAUTION: Do not use the speed change lever while the tool is running. The tool may be damaged.



Position of speed change lever	Speed	Torque	Applicable operation
1	Low	High	Heavy loading operation
2	High	Low	Light loading operation

To change the speed, switch off the tool first. Select the "2" side for high speed or "1" for low speed but high torque. Be sure that the speed change lever is set to the correct position before operation.

If the tool speed is coming down extremely during the operation with "2", slide the lever to the "1" and restart the operation.

Adjusting the fastening torque

► Fig.7: 1. Adjusting ring 2. Graduation 3. Arrow

The fastening torque can be adjusted in 21 levels by turning the adjusting ring. Align the graduations with the arrow on the tool body. You can get the minimum fastening torque at 1 and maximum torque at  marking. The clutch will slip at various torque levels when set at the number 1 to 20. The clutch does not work at the  marking.

Before actual operation, drive a trial screw into your material or a piece of duplicate material to determine which torque level is required for a particular application.

The following shows the rough guide of the relationship between the screw size and graduation.

Graduation		1	2	3	4	5	6	7	8	9	10	11	12	13	14	15	16	17	18	19	20	
Machine screw		M4							M5							M6						
Wood screw	Soft wood (e.g. pine)	-							ø3.5 x 22							ø4.1 x 38						
	Hard wood (e.g. lauan)	-							ø3.5 x 22							-						
		-																ø4.1 x 38				

ASSEMBLY

CAUTION: Always be sure that the tool is switched off and the battery cartridge is removed before carrying out any work on the tool.

Installing or removing driver bit/drill bit

For Model DF333D (optional accessory)

► Fig.8: 1. Sleeve 2. Close 3. Open

Turn the sleeve counterclockwise to open the chuck jaws. Place the driver bit/drill bit in the chuck as far as it will go. Turn the sleeve clockwise to tighten the chuck. To remove the driver bit/drill bit, turn the sleeve counterclockwise.

Installing or removing driver bit/socket bit

For Model DF033D (optional accessory)

► Fig.9

Use only driver bit/socket bit that has inserting portion shown in the figure. Do not use any other driver bit/socket bit.

NOTE: Both shallower type (A=12 mm, B=9 mm) and deeper type (A=17 mm, B=14 mm) of driver bits can be used.

To install the driver bit, pull the sleeve in the direction of the arrow and insert the driver bit into the sleeve as far as it will go.

Then release the sleeve to secure the driver bit.

► Fig.10: 1. Driver bit 2. Sleeve

To remove the driver bit, pull the sleeve in the direction of the arrow and pull the driver bit out.

NOTE: If the driver bit is not inserted deep enough into the sleeve, the sleeve will not return to its original position and the driver bit will not be secured. In this case, try re-inserting the bit according to the instructions above.

NOTE: After inserting the driver bit, make sure that it is firmly secured. If it comes out, do not use it.

Installing hook

CAUTION: When installing the hook, always secure it with the screw firmly. If not, the hook may come off from the tool and result in the personal injury.

► Fig.11: 1. Groove 2. Hook 3. Screw

The hook is convenient for temporarily hanging the tool. This can be installed on either side of the tool. To install the hook, insert it into a groove in the tool housing on either side and then secure it with a screw. To remove, loosen the screw and then take it out.

Installing driver bit holder

Optional accessory

► Fig.12: 1. Driver bit holder 2. Driver bit

Fit the driver bit holder into the protrusion at the tool foot on either right or left side and secure it with a screw. When not using the driver bit, keep it in the driver bit holders. Driver bits 45 mm-long can be kept there.

OPERATION

CAUTION: Always insert the battery cartridge all the way until it locks in place. If you can see the red indicator on the upper side of the button, it is not locked completely. Insert it fully until the red indicator cannot be seen. If not, it may accidentally fall out of the tool, causing injury to you or someone around you.

CAUTION: When the speed comes down extremely, reduce the load or stop the tool to avoid the tool damage.

Hold the tool firmly with one hand on the grip and the other hand on the bottom of the battery cartridge to control the twisting action.

► Fig.13

Screwdriving operation


CAUTION: Adjust the adjusting ring to the proper torque level for your work.

CAUTION: Make sure that the driver bit is inserted straight in the screw head, or the screw and/or driver bit may be damaged.

Place the point of the driver bit in the screw head and apply pressure to the tool. Start the tool slowly and then increase the speed gradually. Release the switch trigger as soon as the clutch cuts in.

NOTE: When driving wood screw, pre-drill a pilot hole 2/3 the diameter of the screw. It makes driving easier and prevents splitting of the workpiece.

Drilling operation

First, turn the adjusting ring so that the arrow points to the  marking. Then proceed as follows.

Drilling in wood

When drilling in wood, the best results are obtained with wood drills equipped with a guide screw. The guide screw makes drilling easier by pulling the drill bit into the workpiece.

Drilling in metal

To prevent the drill bit from slipping when starting a hole, make an indentation with a center-punch and hammer at the point to be drilled. Place the point of the drill bit in the indentation and start drilling. Use a cutting lubricant when drilling metals. The exceptions are iron and brass which should be drilled dry.

CAUTION: Pressing excessively on the tool will not speed up the drilling. In fact, this excessive pressure will only serve to damage the tip of your drill bit, decrease the tool performance and shorten the service life of the tool.

CAUTION: Hold the tool firmly and exert care when the drill bit begins to break through the workpiece. There is a tremendous force exerted on the tool/drill bit at the time of hole break through.


CAUTION: A stuck drill bit can be removed simply by setting the reversing switch to reverse rotation in order to back out. However, the tool may back out abruptly if you do not hold it firmly.

CAUTION: Always secure workpieces in a vise or similar hold-down device.

CAUTION: If the tool is operated continuously until the battery cartridge has discharged, allow the tool to rest for 15 minutes before proceeding with a fresh battery.

Using the tool as a hand screwdriver

► Fig.14

Switch off the tool.
Move the reversing switch lever to the neutral position.
Turn the adjusting ring so that the arrow points to the  marking.
Turn the tool.

NOTE: This use is convenient for checking the screwdriving.

NOTE: Do not use the tool for work requiring excessive force, such as tightening bolt or removing rusted screws.

Using holster

Optional accessory

CAUTION: When using the holster, remove a driver bit/drill bit from the tool.

CAUTION: Turn off the tool and wait until it comes to a complete stop before placing it in the holster. Be sure to close the holster securely with the holster button so that it holds the tool firmly.

1. Thread a waist belt or similar through holster holder.

► Fig.15: 1. Holster holder 2. Waist belt

2. Put the tool in the holster and lock it with the holster button.

► Fig.16

► Fig.17

You can keep two driver bits at the front of the holster.

MAINTENANCE

CAUTION: Always be sure that the tool is switched off and the battery cartridge is removed before attempting to perform inspection or maintenance.

NOTICE: Never use gasoline, benzine, thinner, alcohol or the like. Discoloration, deformation or cracks may result.

To maintain product SAFETY and RELIABILITY, repairs, any other maintenance or adjustment should be performed by Makita Authorized or Factory Service Centers, always using Makita replacement parts.

OPTIONAL ACCESSORIES

CAUTION: These accessories or attachments are recommended for use with your Makita tool specified in this manual. The use of any other accessories or attachments might present a risk of injury to persons. Only use accessory or attachment for its stated purpose.

If you need any assistance for more details regarding these accessories, ask your local Makita Service Center.

- Drill bits
- Driver bits
- Socket bits
- Driver bit holder
- Holster
- Plastic carrying case
- Hook
- Makita genuine battery and charger

NOTE: Some items in the list may be included in the tool package as standard accessories. They may differ from country to country.

TEHNIČNI PODATKI

Model:		DF333D	DF033D
Vrtalne zmogljivosti	Jeklo	10 mm	
	Les	21 mm	
Zatezne zmogljivosti	Lesni vijak	5,1 mm x 63 mm	
	Strojni vijak	M6	
Hitrost brez obremenitve	Visoka (2)	0 - 1.700 min ⁻¹	
	Nizka (1)	0 - 450 min ⁻¹	
Celotna dolžina		179 mm	149 mm
Nazivna napetost		D.C. 10,8 V - 12 V (največ)	
Neto teža		1,1 - 1,2 kg	0,93 - 1,1 kg

- Ker nenehno opravljamo raziskave in razvijamo svoje izdelke, se lahko tehnični podatki v tem dokumentu spremenijo brez obvestila.
- Tehnični podatki se lahko razlikujejo od države do države.
- Teža se lahko razlikuje glede na priključke, vključno z akumulatorsko baterijo. Najlažja in najtežja kombinacija v skladu s postopkom EPTA 01/2014 sta prikazani v preglednici.

Uporabna akumulatorska baterija in polnilnik

Baterijski vložek	BL1015 / BL1016 / BL1020B / BL1021B / BL1040B / BL1041B
Polnilnik	DC10SA / DC10SB / DC10WC / DC10WD / DC18RE

- Nekatere zgoraj navedene akumulatorske baterije in polnilniki morda v vaši državi prebivališča niso na voljo.

⚠ OPOZORILO: Uporabljajte le zgoraj navedene akumulatorske baterije in polnilnike. Uporaba drugih akumulatorskih baterij in polnilnikov lahko povzroči telesne poškodbe in/ali požar.

Predvidena uporaba

Orodje je namenjeno za vrtnje in vijačenje v les, kovino in plastiko.

Hrup

Običajna A-ovrednotena raven hrupa v skladu z EN62841-2-1:

Model DF333D

Raven zvočnega tlaka (L_{pA}): 70 dB (A) ali manj
Odstopanje (K): 3 dB (A)

Nivo hrupa med delom lahko preseže 80 dB (A).

Model DF033D

Raven zvočnega tlaka (L_{pA}): 70 dB (A) ali manj
Odstopanje (K): 3 dB (A)

Nivo hrupa med delom lahko preseže 80 dB (A).

OPOMBA: Navedene vrednosti oddajanja hrupa so bile izmerjene v skladu s standardnimi metodami testiranja in se lahko uporabljajo za primerjavo orodij.

OPOMBA: Navedene vrednosti oddajanja hrupa se lahko uporabljajo tudi pri predhodni oceni izpostavljenosti.

⚠ OPOZORILO: Uporabljajte zaščito za sluh.

⚠ OPOZORILO: Oddajanje hrupa med dejansko uporabo električnega orodja se lahko razlikuje od navedenih vrednosti, odvisno od načina uporabe orodja in predvsem vrste obdelovanca.

⚠ OPOZORILO: Upravljavec mora za lastno zaščito poznati varnostne ukrepe, ki temeljijo na oceni izpostavljenosti v dejanskih pogojih uporabe (poleg časa proženja je treba upoštevati celoten delovni cikel, vključno s časom, ko je orodje izklopljeno, in časom, ko deluje v prostem teku).

Vibracije

Skupne vrednosti vibracij (vektorska vsota treh osi) v skladu z EN62841-2-1:

Model DF333D

Delovni način: vrtnje v kovino
Emisije vibracij ($a_{h,D}$): 2,5 m/s² ali manj
Odstopanje (K): 1,5 m/s²

Model DF033D

Delovni način: vrtnje v kovino
Emisije vibracij ($a_{h,D}$): 2,5 m/s² ali manj
Odstopanje (K): 1,5 m/s²

OPOMBA: Navedene skupne vrednosti oddajanja vibracij so bile izmerjene v skladu s standardnimi metodami testiranja in se lahko uporabljajo za primerjavo orodij.

OPOMBA: Navedene skupne vrednosti oddajanja vibracij se lahko uporabljajo tudi pri predhodni oceni izpostavljenosti.

⚠ OPOZORILO: Oddajanje vibracij med dejansko uporabo električnega orodja se lahko razlikuje od navedenih vrednosti, odvisno od načina uporabe orodja in predvsem vrste obdelovanca.

⚠ OPOZORILO: Upravljaavec mora za lastno zaščito poznati varnostne ukrepe, ki temeljijo na oceni izpostavljenosti v dejanskih pogojih uporabe (poleg časa proženja je treba upoštevati celoten delovni cikel, vključno s časom, ko je orodje izklopljeno, in časom, ko deluje v prostem teku).

Izjava o skladnosti ES

Samo za evropske države

Izjava ES o skladnosti je vključena v dodatku A, ki je priložen tem navodilom za uporabo.

VARNOSTNA OPOZORIILA

Splošna varnostna opozorila za električno orodje

⚠ OPOZORILO: Preberite vsa varnostna opozorila in navodila s slikami in tehničnimi podatki, ki so dobavljeni skupaj z električnim orodjem. Ob neupoštevanju spodaj navedenih navodil obstaja nevarnost električnega udara, požara in/ali hudih telesnih poškodb.

Shranite vsa opozorila in navodila za poznejšo uporabo.

Izraz „električno orodje“ v opozorilih se nanaša na vaše električno orodje (s kablom) ali baterijsko električno orodje (brez kabla).

Varnostna opozorila za brezžični vijaknik in vrtnik

Varnostna navodila za vse načine uporabe

1. Če obstaja nevarnost, da bi z rezalnim pripomočkom ali sponkami prerezali skrito električno napeljavo, držite električno orodje na izoliranih držalnih površinah. Ob stiku rezalnega pripomočka ali sponk z vodniki pod napetostjo dobijo napetost vsi neizolirani kovinski deli električnega orodja, zaradi česar lahko uporabnik utрпи električni udar.

2. Vedno zagotovite, da imate trden prijem na podlagi, kjer stojite. Kadar uporabljate orodje na višini, se prepričajte, da spodaj ni nikogar.
3. Trdno držite orodje.
4. Ne približujte rok vrtečim se delom.
5. Orodje ne pustite delovati brez nadzora. Dovoljeno ga je uporabljati samo ročno.
6. Takoj po končani obdelavi se ne dotikajte vrtnega nastavka ali obdelovanca; lahko sta zelo vroča in povzročita opekline kože.
7. Nekateri materiali vsebujejo kemikalije, ki so lahko strupene. Bodite previdni in preprečite vdihavanje prahu in stik s kožo. Upoštevajte varnostne podatke dobavitelja materiala.
8. Če vrtnega nastavka ni mogoče sprostiti, niti ko odprete čeljusti, ga izvlecite s kleščami. V takšnih primerih se lahko pri vlečenju vrtnega nastavka z roko poškodujete ob ostrem robu nastavka.

Varnostna navodila za uporabo dolgih vrtnih nastavkov

1. Nikoli ne uporabljajte vrtnega nastavka pri hitrosti, ki je višja od njegove največje nazivne hitrosti. Pri višjih hitrostih se lahko nastavek ukrivi, če se prosto vrti brez stika z obdelovancem, zaradi česar lahko pride do telesnih poškodb.
2. Vedno začnite vrtati pri nizki hitrosti, pri čemer mora biti konica nastavka v stiku z obdelovancem. Pri višjih hitrostih se lahko nastavek ukrivi, če se prosto vrti brez stika z obdelovancem, zaradi česar lahko pride do telesnih poškodb.
3. Na orodje pritiskajte samo v smeri nastavka in ne uporabite prekomerne sile. Nastavki se lahko ukrivijo, zaradi česar lahko pride do zloma ali izgube nadzora ter posledično tudi do telesnih poškodb.

SHRANITE TA NAVODILA.

⚠ OPOZORILO: NE dovolite, da bi zaradi udobnejšega dela ali znanja o uporabi izdelka (pridobljenega z večkratno uporabo) opustili strogo upoštevanje varnostnih zahtev v okviru pravilne uporabe orodja. ZLORABA ali neupoštevanje varnostnih zahtev v teh navodilih za uporabo lahko povzroči resne telesne poškodbe.

Pomembna varnostna navodila za akumulatorsko baterijo

1. Pred uporabo baterijskega vložka preberite vsa navodila in opozorilne oznake na (1) polnilniku akumulatorja, (2) akumulatorju in (3) izdelku, ki uporablja akumulator.
2. Ne razstavlajte baterijskega vložka.
3. Če se je čas delovanja občutno skrajšal, takoj prenehajte uporabljati orodje. V nasprotnem primeru lahko pride do pregretja, morebitnih opeklin in celo eksplozije.
4. Če pride elektrolit v stik z očmi, jih sperite s čisto vodo in takoj poiščite zdravniško pomoč. Posledica je lahko izguba vida.

5. Ne povzročite kratkega stika baterijskega vložka:
- (1) Ne dotikajte se priključkov s kakršnim koli prevodnim materialom.
 - (2) Izogibajte se shranjevanju baterijskega vložka v vsebniku z drugimi kovinskimi predmeti kot so željnji, kovanci itn.
 - (3) Ne izpostavljajte baterijskega vložka vodi ali dežju.

Kratek stik akumulatorja lahko povzroči velik električni tok, pregrevanje, morebitne opekline in celo okvaro.

6. Ne shranjujte orodja in baterijskega vložka na mestih, kjer lahko temperatura doseže ali preseže 50 °C.
7. Ne sežigajte baterijskega vložka, tudi če je hudo poškodovan ali v celoti izpraznjen. Baterijski vložek lahko v ognju eksplodira.
8. Poskrbite, da akumulator ne bo izpostavljen padcem ali udarcem.
9. Ne uporabljajte poškodovanih akumulatorjev.
10. Priložene litij-ionske baterije ustrezajo zahtevam zakonodaje v zvezi z nevarnim blagom. Za komercialne prevoze, npr. tiste, ki jih opravljajo tretje stranke in carinski posredniki, je treba upoštevati posebne zahteve v zvezi z embalažo in označevanjem. Med postopkom priprave na odpremo izdelka se je treba posvetovati s strokovnjakom za nevarne snovi. Pri tem upoštevajte tudi podrobnejše nacionalne predpise. Odprte stike oblepite z lepilnim trakom ali jih drugače zaščitite, baterijo pa zapakirajte tako, da se v embalaži ne more premikati.
11. Ko odstranjujete akumulatorsko baterijo, jo vzemite iz orodja in varno zavrzite. Upoštevajte lokalne uredbe glede odlaganja baterije.
12. Baterije uporabljajte le z izdelki, ki jih določi Makita. Če namestite baterije v neskladne izdelke, lahko pride do požara, pregrevanja, eksplozije ali puščanja elektrolita.
13. Če orodja dlje časa ne uporabljate, morate iz njega odstraniti baterijo.

SHRANITE TA NAVODILA.

⚠️ POZOR: Uporabljajte le originalne baterije Makita. Če uporabljate neoriginalne baterije Makita ali baterije, ki so bile spremenjene, lahko pride do eksplozije baterije in posledično do požara, telesnih poškodb ali materialne škode. S takšno uporabo boste tudi razveljavili garancijo Makita za orodje in polnilnik Makita.

Nasveti za ohranjanje največje zmogljivosti akumulatorja

1. Napolnite baterijski vložek, preden se v celoti izprazni. Ko opazite, da ima orodje manjšo moč, vedno ustavite delovanje orodja in napolnite baterijski vložek.
2. Nikoli znova ne polnite popolnoma napolnjenega baterijskega vložka. Prenapolnjenje skrajša življenjsko dobo akumulatorja.
3. Baterijski vložek s sobno temperaturo napolnite pri temperaturi okolja od 10 °C do 40 °C. Počakajte, da se vroč baterijski vložek pred polnjenjem ohladi.

OPIS DELOVANJA

⚠️ POZOR: Pred nastavljanjem ali preizkusom delovanja orodja se prepričajte, ali je orodje izključeno in ali je akumulatorska baterija odstranjena.

Nameščanje ali odstranjevanje akumulatorske baterije

⚠️ POZOR: Vedno izklopite orodje, preden namestite ali odstranite akumulatorsko baterijo.

⚠️ POZOR: Kadar nameščate ali odstranjujete akumulatorsko baterijo, trdno držite orodje in akumulatorsko baterijo. Če orodja in akumulatorske baterije ne držite trdno, se lahko zgodi, da vam zdrsneta iz rok, posledica pa je lahko poškodba orodja in akumulatorske baterije ter telesna poškodba.

▶ **SI.1:** 1. Rdeči indikator 2. Gumb 3. Baterijski vložek

Če želite odstraniti akumulatorsko baterijo, jo potisnite iz orodja, pri tem pa pomikajte gumb na sprednji strani vložka.

Akumulatorsko baterijo vstavite tako, da poravnate jeziček na bateriji z utorom na ohišju in jo potisnete v ležišče. Potisnite jo do konca, da se zaskoči. Če je rdeči indikator na zgornji strani gumba viden, pomeni, da baterija ni ustrezno zaklenjena.

⚠️ POZOR: Vedno namestite akumulatorsko baterijo tako, da rdeči indikator ni več viden. Če tega ne upoštevate, lahko baterija nepričakovano pade iz orodja in poškoduje vas ali osebe v neposredni bližini.

⚠️ POZOR: Ne nameščajte akumulatorske baterije s silo. Če se akumulatorska baterija ne zaskoči zlahka, ni pravilno vstavljena.

Sistem za zaščito akumulatorja

Orodje je opremljeno s sistemom za zaščito akumulatorja. Sistem samodejno prekine napajanje motorja, da se podaljša življenjska doba akumulatorja.

Orodje se bo samodejno zaustavilo med delovanjem, če sta orodje in/ali akumulator zamenjana pod naslednjimi pogoji:

Preobremenjeno:

Orodje deluje na način, zaradi katerega prihaja do neobičajno visokega toka.

V tem primeru izklopite orodje in prenehajte izvajati delo, ki je povzročilo preobremenitev orodja. Nato vklopite orodje in ga znova zaženite.

Če se orodje ne vklopi, je akumulator pregret. V tem primeru pustite, da se akumulator ohladi, preden orodje znova vklopite.

Nizka napetost akumulatorja:

Raven napolnjenosti akumulatorja je prenizka, zaradi česar orodje ne bo delovalo. Če vklopite orodje, se motor zažene, vendar se kmalu ustavi. V tem primeru odstranite in napolnite akumulator.










Prikazuje preostalo raven napoljenosti akumulatorja

Samo za akumulatorske baterije z indikatorjem

► **SI.2:** 1. Indikatorske lučke 2. Gumb za preverjanje

Pritisnite gumb za preverjanje na baterijskem vložku, da preverite raven napoljenosti akumulatorja.

Indikatorske lučke na kratko zasvetijo.

Indikatorske lučke		Prikaz preostale ravni napoljenosti
 Sveti	 Ne svetli	
		od 75% do 100%
		od 50% do 75%
		od 25% do 50%
		od 0% do 25%

OPOMBA: Odvisno od pogojev uporabe in okoljske temperature se označba lahko nekoliko razlikuje od dejanske napoljenosti.

Delovanje stikala

► **SI.3:** 1. Sprožilno stikalo

POZOR: Preden vstavite akumulatorsko baterijo v orodje, se vedno prepričajte, da stikalo deluje brezhibno in se vrača v položaj za izklop (OFF), ko ga spustite.

Za zagon orodja povlecite sprožilno stikalo. Hitrost orodja se poveča za povečani tlak na sprožilnem stikalu. Za izklop spustite stikalo.

Vklop sprednje lučke

► **SI.4:** 1. Lučka

POZOR: Ne glejte neposredno v lučko ali vir svetlobe.

Za vklop svetilke pritisnite sprožilno stikalo. Lučka sveti, dokler je pritisnjeno sprožilno stikalo. Lučka se izklopi približno 10 sekund zatem, ko spustite sprožilno stikalo.

OPOMBA: Uporabite suho krpo, da obrišete umazano z leče lučke. Pazite, da ne opraskate stekla lučke, ker praske občutno zmanjšajo svetilnost.

Stikalo za prekop smeri vrtenja

► **SI.5:** 1. Ročica za prekop smeri vrtenja

POZOR: Pred obratovanjem vedno preverite smer vrtenja.

POZOR: Stikalo za spreminjanje smeri vrtenja uporabite šele, ko se stroj popolnoma ustavi. Če smer vrtenja spremenite, preden se stroj ustavi, se ta lahko poškoduje.

POZOR: Ko orodja ne uporabljate, vedno potisnite preklopno stikalo v nevtralen položaj.

To orodje je opremljeno s preklopnikom za spremembo smeri vrtenja. Ročico preklopnika smeri vrtenja pritisnete v smeri A za vrtenje v smeri urnega kazalca in v smeri B za vrtenje v obratni smeri urnega kazalca.

Ko je preklopno stikalo v nevtralnem položaju, se glavnega stikala ne da premakniti.

Spreminjanje hitrosti

► **SI.6:** 1. Ročica za spreminjanje hitrosti

POZOR: Ročico za spreminjanje hitrosti vedno potisnite do konca v pravičen položaj. Če vklopite orodje, medtem ko je ročica za spremembo hitrosti v vmesnem položaju med oznakama „1“ in „2“, lahko pride do okvare orodja.

POZOR: Ročice za spreminjanje hitrosti ne premikajte med delovanjem orodja. Orodje se lahko poškoduje.


Položaj ročice za spreminjanje hitrosti	Hitrost	Navor	Namenska uporaba
1	Nizka	Visoka	Uporaba pri težji obremenitvi
2	Visoka	Nizka	Uporaba pri lažji obremenitvi


Če želite spremeniti hitrost, najprej izklopite orodje. Izberite „2“ za visoko hitrost ali „1“ za nizko hitrost, vendar z visokim navorom. Pred obratovanjem preverite, ali je ročica za spreminjanje hitrosti vrtenja nastavljena v pravičen položaj.

Če se hitrost orodja med delovanjem na stopnji „2“ izjemno zmanjša, premaknite ročico na „1“ in znova začnite z delom.

Nastavitveni zateznega momenta

► SI.7: 1. Nastavitveni obroč 2. Stopnja 3. Puščica

Zatezni moment lahko z obračanjem nastavitvenega obroča nastavite na 21 stopenj. Poravnajte stopnje s puščico na ohišju orodja. Najmanjši zatezni moment je pri stopnji 1, največji pa pri oznaki .

Če je sklopka v položaju od 1 do 20, bo zdrnila pri različnih stopnjah zateznega momenta. Pri oznaki  sklopka ne deluje. Pred dejanskim začetkom dela privijte v vzorčni kos materiala vijak, da ugotovite, katera stopnja zateznega momenta je najustrežnejša. V nadaljevanju si poglejte okvirni vodnik razmerja med velikostjo vijaka in stopnjo privijanja.

Stopnja	1	2	3	4	5	6	7	8	9	10	11	12	13	14	15	16	17	18	19	20			
Strojni vijak	M4								M5								M6						
Lesni vijak	Mehak les (npr. borovec)					-								φ3,5 x 22				φ4,1 x 38					
	Trd les (npr. lauan)					-								φ3,5 x 22				-					
								-												φ4,1 x 38			

MONTAŽA

▲ POZOR: Pred vsako izvedbo dela na orodju se prepričajte, da je le to izključeno in da je akumulatorska baterija odstranjena.

Vstavljanje in odstranjevanje vijčnih/vrtalnih nastavkov

Za model DF333D (dodatna oprema)

► SI.8: 1. Zaporni obroč 2. Zapiranje 3. Odpiranje

Razprite čeljusti vpenjalne glave tako, da zaporni obroč zavrtite v nasprotni smeri urnega kazalca. Vstavite vijčni/vrtalni nastavek v vpenjalno glavo in ga potisnite do konca. Zategnite vpenjalno glavo tako, da zaporni obroč zavrtite v smeri urnega kazalca. Vijčni/vrtalni nastavek odstranite tako, obrnete zaporni obroč v nasprotni smeri urnega kazalca.

Nameščanje ali odstranjevanje vijčnega ali natičnega nastavka

Za model DF033D (dodatna oprema)

► SI.9

Uporabljajte samo vijčne ali natične nastavke z vstavnim delom, ki je prikazan na sliki. Ne uporabljajte drugih vijčnih/natičnih nastavkov.

OPOMBA: Uporabite lahko tako plitvejšo (A = 12 mm, B = 9 mm) kot globljo (A = 17 mm, B = 14 mm) vrsto vijčnih nastavkov.

Za namestitve vijčnega nastavka povlecite zaporni obroč v smeri puščice in vanj do konca potisnite nastavek. Spustite zaporni obroč, da se nastavek zaskoči.

► SI.10: 1. Vijčni nastavek 2. Zaporni obroč

Za odstranitev vijčnega nastavka povlecite zaporni obroč v smeri puščice in izvlecite nastavek.

OPOMBA: Če vijčni nastavek v obroč ni vstavljen dovolj globoko, se ta ne bo vrnil v prvotni položaj in nastavek ne bo pravilno zaskočen. V tem primeru poskušajte nastavek vstaviti znova, kot je opisano zgoraj.

OPOMBA: Ko namestite nastavek, se prepričajte, ali je trdno zaskočen. Če ga lahko izvlečete, ne uporabljajte orodja.

Nameščanje kavlja

▲ POZOR: Kavelj pri nameščanju vedno močno zategnite z vijakom. Če ga ne zategnete, se lahko kavelj sname z orodja in povzroči telesne poškodbe.

► SI.11: 1. Vdolbina 2. Kavelj 3. Vijak

Kavelj je priročen pripomoček za začasno obešanje stroja. Namestite ga lahko na katero koli stran stroja. Kavelj vstavite v utor na levi ali desni strani ohišja stroja in ga privijte z vijakom. Odstranite ga tako, da odvijete vijak in ga izvlečete.

Nameščanje držala vijčnih nastavkov

Dodatna oprema

► SI.12: 1. Držalo vijčnih nastavkov 2. Vijčni nastavek

Namestite držalo vijčnih nastavkov v zarezo na podstavku orodja na desno ali levo stran in ga pritrdite z vijakom. Kadar ne uporabljate vijčnega nastavka, ga hranite v držalu vijčnih nastavkov. Držalo omogoča shranjevanje vijčnih nastavkov dolžine 45 mm.

UPRAVLJANJE

▲ POZOR: Akumulatorsko baterijo vedno vstavite do konca, tako da se zaskoči. Če je na zgornji strani gumba viden rdeč indikator, pomeni, da baterija ni ustrezno zaskočena. Vstavite jo do konca, tako da rdečega indikatorja ni mogoče videti. V nasprotnem primeru se lahko akumulatorska baterija sname z orodja in poškoduje vas ali osebe v neposredni bližini.

▲ POZOR: Če se hitrost močno zniža, zmanjšajte obremenitev ali ustavite orodje, da preprečite poškodbo orodja.

Orodje trdno držite z eno roko na ročaju in z drugo ob vznožju akumulatorske baterije, da lahko nadzorujete zvijanje.

► SI.13

Vijačenje


⚠️ POZOR: Nastavitveni obroč nastavite na ustrezen zatezni moment.

⚠️ POZOR: Pazite, da bo vijačni nastavek vstavljen naravnost v glavo vijaka. V nasprotnem primeru se vijak in/ali vijačni nastavek lahko poškodujeta.

Postavite konico vijačnega nastavka v glavo vijaka in pritisnite na orodje. Počasi zaženite orodje in nato postopno povečujte hitrost. Ko se vklopi zdrsa sklopka, spustite stikalo za vklop.

OPOMBA: Kadar privijate lesni vijak, najprej izvrtajte vodilno luknjo s premerom 2/3 vijaka. S tem boste olajšali vijačenje in preprečili razcep obdelovanca.

Vrtanje

Najprej zavrtite nastavitveni obroč tako, da bo puščica obrnjena proti oznaki . Nato nadaljujte, kot je opisano v nadaljevanju.

Vrtanje v les

Pri vrtanju v les dosežete najboljše rezultate z lesnimi svedri, ki so opremljeni s centrirno konico. Centrirna konica olajša vrtanje, saj pospeši prodiranje vrtnalnega nastavka v les.

Vrtanje v kovino

Pri vrtanju v kovine uporabite točkalo, s katerim si označite točko vrtanja in tako preprečite zdrsa vrtnalnega nastavka ob začetku vrtanja. Postavite konico vrtnalnega nastavka v vdolbino in začnite vrtati.

Kadar vrtate v kovino, uporabite mazivo za rezanje. Pri vrtanju v železo in medenino mazivo ni potrebno.

⚠️ POZOR: Čezmerno pritiskanje na orodje ne bo pospešilo napredovanja nastavka med vrtanjem. Nasprotno, s čezmernim pritiskanjem se poškoduje konica vrtnalnega nastavka, kar zmanjša učinkovitost delovanja ter skrajša življenjsko dobo orodja.

⚠️ POZOR: Trdno držite orodje in bodite previdni, ko začne vrtnalni nastavek prebijati obdelovanca. Po prevrtanju materiala delujejo na orodje oz. vrtnalni nastavek izjemno visoke sile.


⚠️ POZOR: Zagozdeni vrtnalni nastavek lahko enostavno odstranite, tako da nastavite stikalo za spremembo smeri v položaj za vrtenje v obratno smer. Vseeno pa lahko orodje nenadoma sune nazaj, če ga ne držite trdno.

⚠️ POZOR: Obdelovance vedno vpnite v primež ali podobno napravo za držanje.

⚠️ POZOR: Če orodje neprekinjeno deluje, dokler se akumulatorska baterija ne izprazni, pustite orodje mirovati 15 minut in šele nato nadaljujte z novo baterijo.

Uporaba orodja kot ročni vijačnik

► SI.14

Izklopite orodje. Premaknite preklopnik smeri vrtenja v nevtralni položaj. Zavrtite nastavitveni obroč tako, da bo kazalec obrnjen proti oznaki . Vključite orodje.

OPOMBA: Ta uporaba je priročna za preverjanje vijačenja.

OPOMBA: Ne uporabljajte orodja za delo, kjer je potrebna velika sila, npr. za zategovanje vijakov ali za odstranjevanje zarjavelih vijakov.

Uporaba toka

Dodatna oprema

⚠️ POZOR: Pri uporabi toka odstranite vijačni/vrtnalni nastavek iz orodja.

⚠️ POZOR: Preden ga namestite v tok, izključite orodje in počakajte, da se popolnoma ustavi. Z gumbom toka ustrezno zaklenite tok tako, da bo varno pritrjen.

1. Skozi držalo toka vstavite pas ali podobno.

► **SI.15:** 1. Držalo toka 2. Pas

2. Vstavite orodje v tok in ga zaklenite z gumbom toka.

► **SI.16**

► **SI.17**

Na sprednji strani toka lahko shranite dva vijačna nastavka.

VZDRŽEVANJE

⚠️ POZOR: Preden se lotite pregledovanja ali vzdrževanja orodja, se vedno prepričajte, da je orodje izklopljeno in akumulatorska baterija odstranjena.

OBVESTILO: Nikoli ne uporabljajte bencina, razredčila, alkohola ali podobnega sredstva. V tem primeru se lahko orodje razbarva ali deformira oziroma lahko nastanejo razpoke.

VARNO in ZANESLJIVO delovanje tega izdelka bo zagotovljeno le, če boste popravila, vzdrževanje in nastavitve prepustili pooblaščenemu servisu za orodja Makita ali tovarniškemu osebju, ki vgrajuje izključno originalne nadomestne dele.

DODATNA OPREMA

⚠️ POZOR: Ta dodatni pribor ali pripomočki so predvideni za uporabo z orodjem Makita, ki je opisano v teh navodilih za uporabo. Pri uporabi drugega pribora ali pripomočkov obstaja nevarnost telesnih poškodb. Dodatni pribor ali pripomočke uporabljajte samo za navedeni namen.

Za več informacij o dodatni opremi se obrnite na najbližji pooblaščen servis za orodja Makita.

- Vrtalni nastavki
- Vijačni nastavki
- Vtični nastavki
- Držalo vijačnih nastavkov
- Tok
- Plastičen kovček za prenašanje
- Kavelj
- Originalna akumulator in polnilnik Makita

OPOMBA: Nekateri predmeti na seznamu so lahko priloženi orodju kot standardna dodatna oprema. Lahko se razlikujejo od države do države.

SPECIFIKIMET

Modeli:		DF333D	DF033D
Kapacitetet e shpimit	Çelik	10 mm	
	Dru	21 mm	
Kapacitetet shtrënguese	Vidë druri	5,1 mm x 63 mm	
	Vidë makinerie	M6	
Shpejtësia pa ngarkesë	E lartë (2)	0 - 1 700 min ⁻¹	
	E ulët (1)	0 - 450 min ⁻¹	
Gjatësia totale		179 mm	149 mm
Tensioni nominal		D.C. 10,8 V - 12 V maks	
Pesha neto		1,1 - 1,2 kg	0,93 - 1,1 kg

- Për shkak të programit tonë të vazhdueshëm të kërkim-zhvillimit, specifikimet që jepen këtu mund të ndryshojnë pa dhënë njoftim.
- Specifikimet mund të ndryshojnë nga njëri shtet në tjetrin.
- Pesha mund të ndryshojë në varësi të aksesorit(ëve), përfshirë kutinë e baterisë. Kombinimi më i lehtë dhe më i rëndë, sipas Procedurës EPTA 01/2014, tregohet në tabelë.

Kutia e aplikueshme e baterisë dhe karikuesi

Kutia e baterisë	BL1015 / BL1016 / BL1020B / BL1021B / BL1040B / BL1041B
Karikuesi	DC10SA / DC10SB / DC10WC / DC10WD / DC18RE

- Disa prej kutive të baterive dhe karikuesve të renditura më lart mund të mos jenë të disponueshme në varësi të zonës ku ju banoni.

⚠ PARALAJMËRIM: Përdorni vetëm kutitë e baterisë dhe karikuesit e listuar më lart. Përdorimi i karikuesve dhe kutive të tjera të baterisë mund të shkaktojë lëndim dhe/ose zjarr.

Përdorimi i synuar

Pajisja është synuar për shpim dhe vendosje të vidave në dru, metal dhe plastikë.

Zhurma

Niveli tipik i zhurmës A, i matur sipas EN62841-2-1:

Modeli DF333D

Niveli i presionit të zhurmës (L_{pA}): 70 dB (A) ose më pak
Pasiguria (K): 3 dB (A)

Niveli i zhurmës mund të tejkalojë 80 dB (A).

Modeli DF033D

Niveli i presionit të zhurmës (L_{pA}): 70 dB (A) ose më pak
Pasiguria (K): 3 dB (A)

Niveli i zhurmës mund të tejkalojë 80 dB (A).

SHËNIM: Vlerat e deklaruar totale të emetimeve të zhurmës janë matur sipas një metode standarde testimi dhe mund të përdoren për të krahasuar një vegël me një tjetër.

SHËNIM: Vlerat e deklaruar të emetimeve të zhurmës mund të përdoren për një vlerësim paraprak të ekspozimit.

⚠ PARALAJMËRIM: Mbani mbrojtëse për veshët.

⚠ PARALAJMËRIM: Emetimet e zhurmës gjatë përdorimit aktual të veglës elektrike mund të ndryshojnë nga vlerat e deklaruar në varësi të mënyrave sesi përdoret vegla, veçanërisht nga lloji i materialit të punës që përdoret.

⚠ PARALAJMËRIM: Vërtetoni që masat e sigurisë për mbrojtjen e përdoruesit bazohen në vlerësimin e ekspozimit ndaj kushteve aktuale të përdorimit (duke marrë parasysh të gjitha pjesët e ciklit të funksionimit si ato kur pajisja është e fikur dhe punon pa prerë ashtu edhe kohën e përdorimit).

Dridhja

Vlera totale e dridhjeve (shuma e vektorit me tre akse) përcaktohet sipas EN62841-2-1:

Modeli DF333D

Regjimi i punës: shpimi në metal
Emetimi i dridhjeve ($a_{h,D}$): 2,5 m/s² ose më pak
Pasiguria (K): 1,5 m/s²

Modeli DF033D

Regjimi i punës: shpimi në metal
Emetimi i dridhjeve ($a_{h,D}$): 2,5 m/s² ose më pak
Pasiguria (K): 1,5 m/s²

SHËNIM: Vlerat e deklaruara totale të dridhjeve janë matur sipas një metode standarde testimi dhe mund të përdoren për të krahasuar një vegël me një tjetër.

SHËNIM: Vlerat e deklaruara totale të dridhjeve mund të përdoren për një vlerësim paraprak të ekspozimit.

▲PARALAJMËRIM: Emetimet e dridhjeve gjatë përdorimit aktual të veglës elektrike mund të ndryshojnë nga vlerat e deklaruara në varësi të mënyrave sesi përdoret vegla, veçanërisht nga lloji i materialit të punës që përdoret.

▲PARALAJMËRIM: Vërtetoni që masat e sigurisë për mbrojtjen e përdoruesit bazohen në vlerësimin e ekspozimit ndaj kushteve aktuale të përdorimit (duke marrë parasysh të gjitha pjesët e ciklit të funksionimit si ato kur pajisja është e fikur dhe punon pa prerë ashtu edhe kohën e përdorimit).

Deklarata e konformitetit me KE-në

Vetëm për shtetet evropiane

Deklarata e konformitetit me KE-në përfshihet si Shtojca A në këtë manual përdorimi.

PARALAJMËRIME SIGURIE

Paralajmërimet e përgjithshme për sigurinë e veglës

▲PARALAJMËRIM: Lexoni të gjitha paralajmërimet për sigurinë, udhëzimet, ilustrimet dhe specifikimet e dhëna me këtë vegël elektrike. Mosndjekja e të gjitha udhëzimeve të renditura më poshtë mund të shkaktojë goditje elektrike, zjarr dhe/ose lëndim të rëndë.

Ruajini të gjitha paralajmërimet dhe udhëzimet për të ardhmen.

Termi "vegël elektrike" në paralajmërimet e referohet veglës elektrike që përdoret e lidhur në prizë (me kordon) ose veglës së përdorur me bateri (pa kordon).

Paralajmërimet e sigurisë për trapanin me bateri

Udhëzimet e sigurisë për të gjitha veprimet

1. Mbajeni veglën elektrike të sipërfaqet kapëse të izoluar kur të jeni duke kryer një veprim në të cilin aksesorit prerës ose shtrëngueset mund të prekin tela të fshehur. Nëse aksesorit prerës ose shtrëngueset prekin një tel me rrymë, atëherë pjesët metalike të veglës elektrike elektrizohen dhe mund t'i shkaktojnë përdoruesit goditje elektrike.
2. Gjithmonë sigurohuni që të keni bazament të fortë qëndrimi. Sigurohuni që të mos ketë njeri poshtë ndërkohë që e përdorni pajisjen në vende të larta.
3. Mbajeni veglën fort.
4. Mbajini duart larg pjesëve rrotulluese.

5. Mos e lini veglën të nderz. Përdorni veglën vetëm duke e mbajtur në dorë.
6. Mos e prekin puntën e shpimit menjëherë pas punës; mund të jetë shumë i nxehtë dhe mund t'ju djegë lëkurën.
7. Disa materiale përbajnë kimikate që mund të jenë toksike. Kini kujdes që të parandaloni thithjen e pluhurave dhe kontaktin me lëkurën. Ndiqni të dhënat e sigurisë nga furnizuesi i materialit.
8. Nëse maja e puntos nuk mund të lirohet edhe nëse lironi nofullat, përdorni pinca për ta tërhequr. Në rast të tillë, nxjerrja e majës së puntos me dorë mund të rezultojë në lëndim nga ana e saj e mprehtë.

Udhëzimet e sigurisë kur përdorni maja puntosh të gjata

1. Asnjëherë mos e përdorni me shpejtësi më të lartë se shpejtësia maksimale nominale e majës së puntos. Në shpejtësi më të larta, maja mund të shtrembërohet nëse lejohet të rrotullohet lirshëm pa kontaktuar me materialin e punës, gjë që rezultojnë në lëndim personal.
2. Gjithmonë shpini me shpejtësi të ulëta dhe me majën e puntos në kontakt me materialin e punës. Në shpejtësi më të larta, maja mund të shtrembërohet nëse lejohet të rrotullohet lirshëm pa kontaktuar me materialin e punës, gjë që rezultojnë në lëndim personal.
3. Aplikoni presion vetëm në vijë direkte me majën dhe mos aplikoni presion të tepërt. Majat mund të shtrembërohen duke shkakuar thyerje ose humbje të kontrollit, duke rezultuar në lëndim personal.

RUAJINI KËTO UDHËZIME.

▲PARALAJMËRIM: MOS lejoni që njohja ose familjarizimi me produktin (të fituara nga përdorimi i shpeshtë) të zëvendësojnë zbatimin me përpikëri të rregullave të sigurisë për produktin në fjalë. KEQPËRDORIMI ose mosndjekja e rregullave të sigurisë të dhëna në këtë manual përdorimi mund të shkaktojnë dëmtime të rënda personale.

Udhëzime të rëndësishme rreth sigurisë për kutinë e baterisë

1. Përpara se ta përdorni kutinë e baterisë, lexoni të gjitha udhëzimet dhe shënimet e masave parandaluese të (1) ngarkuesit të baterisë, (2) bateria dhe (3) produkti që përdor baterinë.
2. Mos e hiqni kutinë e baterisë.
3. Nëse koha e përdorimit është shkurtuar jashtë mase, ndalojeni punën menjëherë. Kjo mund të rezultojë në rrezik mbinxehjeje, djegie të mundshme, madje edhe shpërthim.
4. Nëse ju futen elektrolite në sy, shpëllajini sytë me ujë të pastër dhe kërkoni ndihmë mjekësore menjëherë. Kjo gjë mund të rezultojë në humbje të shikimit.
5. Mos bëni lidhje të shkurtër me kutinë e baterisë:
 - (1) Mos i prekin terminalat me materiale përcjellëse.
 - (2) Shmangni ruajtjen e kutisë së baterisë në një kuti me objekte të tjera metalike, si gozhde, monedha etj.
 - (3) Mos e ekspozoni kutinë e baterisë në ujë ose shi.

Qarku i shkurtër i baterisë mund të shkaktojë qarkullim të madh të rrymës elektrike, mbinxehje, djegie të mundshme dhe madje prishje.

- Mos e ruani pajisjen dhe kutinë e baterisë në vende ku temperatura mund të arrijë ose tejkalojë 50 °C.
- Mos e digjni kutinë e baterisë, edhe nëse është shumë e dëmtuar ose është konsumuar plotësisht. Kutia e baterisë mund të shpërthejë në zjarr.
- Bëni kujdes që të mos e rrëzoni ose ta godisni baterinë.
- Mos përdorni bateri të dëmtuar.
- Bateritë e përfshira të litiumit, u nënshtrohen kërkesave të legjislacionit për mallrat e rrezikshme.
Për transport tregtar p.sh. nga palë të treta, agjentë të ndërmjetëm, duhet të ndiqni kërkesa specifike mbi paketimin dhe etiketimin.
Për përgatitjen e artikullit për transport, është i nevojshëm konsultimi i një eksperti për materiale të rrezikshme. Ju lutemi, ndiqni gjithashtu rregulloret me gjasë më të detajuara vendore.
Mbuloni me ngjitëse ose maskoni kontaktet e zhveshura dhe paketojeni baterinë në mënyrë të tillë që të mos lëvizë në paketim.
- Kur hidhni kutinë e baterisë, hiqni nga vegla dhe hidhni në një vend të sigurt. Zbatoni rregulloret lokale rreth hedhjes së baterisë.**
- Përdorini bateritë vetëm me produktet e specifikuar nga Makita.** Instalimi i baterive në produkte të papajtueshme mund të rezultojë në zjarr, nxehtësi të lartë, shpërthim ose rrjedhje të elektroiteve.
- Nëse vegla nuk përdoret për një periudhë të gjatë kohe, bateria duhet të hiqet nga vegla.**

RUAJINI KËTO UDHËZIME.

▲KUJDES: Përdorni vetëm bateri origjinale Makita. Përdorimi i baterive jo-origjinale Makita ose baterive që mund të jenë modifikuar, mund të rezultojë në marrjen flakë të baterisë, lëndime personale apo dëmtime. Kjo do të anulojë gjithashtu edhe garancinë e Makita-s për veglën e Makita-s dhe ngarkuesin.

Këshilla për të ruajtur jetëgjatësinë maksimale të baterisë

- Ngarkojeni baterinë përpara se të shkarkohet plotësisht. Gjithmonë ndaloni punën me pajisjen dhe ngarkoni baterinë kur vëreni ulje të fuqisë së pajisjes.
- Asnjëherë mos e ringarkoni baterinë e ngarkuar plotësisht. Mbingarkimi shkurton jetëgjatësinë e shërbimit të baterisë.
- Ngarkojeni baterinë në temperaturën e dhomës në 10 °C - 40 °C. Lëreni kutinë e nxehtë të baterisë të ftohet përpara se ta ngarkoni atë.

PËRSHKRIMI I PUNËS

▲KUJDES: Sigurohuni gjithmonë që vegla të jetë e fikur dhe kutia e baterisë të jetë hequr përpara se ta rregulloni apo t'i kontrolloni funksionet e veglës.

Instalimi ose heqja e kutisë së baterisë

▲KUJDES: Fikeni gjithmonë veglën përpara se të instaloni ose hiqni kutinë e baterisë.

▲KUJDES: Mbajeni fort veglën dhe kutinë e baterisë kur montoni ose hiqni kutinë e baterisë. Mosmbajta fort e veglës dhe e kutisë së baterisë mund të bëjë që t'ju rrëshqasin nga duart dhe të shkaktojë dëmtim të veglës dhe të kutisë së baterisë, si dhe lëndim personal.

► **Fig. 1:** 1. Treguesi i kuq 2. Butoni 3. Kutia e baterisë

Për të hequr kutinë e baterisë, rrëshqiteni atë nga vegla ndërsa rrëshqisni butonin në pjesën e përparme të kutisë së baterisë.

Për të vendosur kutinë e baterisë, bashkërenditni gjuhëzën e kutisë së baterisë me kanalën e folesë dhe rrëshqiteni për ta futur. Futeni deri në fund, derisa të kërçasë dhe të bllokohet në vend. Nëse shikoni treguesin e kuq në anën e sipërme të butonit, ajo nuk është e bllokuar plotësisht.

▲KUJDES: Vendoseni gjithnjë plotësisht kutinë e baterisë derisa treguesi i kuq të mos duket. Në të kundërt, ajo mund të bjerë aksidentalisht nga vegla duke ju lënduar juve ose personin pranë jush.

▲KUJDES: Mos e vendosni me forcë kutinë e baterisë. Nëse kutia nuk hyn lehtë, nuk po e futni siç duhet.

Sistemi i mbrojtjes së baterisë

Vegla është e pajisur me një sistem për mbrojtjen e baterisë. Ky sistem ndërpret automatikisht energjinë në motor për të zgjatur jetëgjatësinë e baterisë. Vegla do të ndalojë automatikisht gjatë punës nëse vegla dhe/ose bateria janë vendosur sipas një prej kushteve të mëposhtme:

I mbingarkuar:

Vegla përdoret në një mënyrë që e bën atë të marrë rrymë të lartë anormale. Në këtë situatë, fikeni veglën dhe ndaloni punën që shkaktoi mbingarkesën e veglës. Pastaj ndizeni veglën për ta rinisur. Nëse vegla nuk ndizet, bateria është mbinxehur. Në këtë situatë, lëreni baterinë të ftohet përpara se ta ndizni sërish.

Tension i ulët i baterisë:

Kapaciteti i mbetur i baterisë është shumë i ulët dhe vegla nuk do të punojë. Nëse e ndizni veglën, motori ndizet sërish, por fiket shpejt. Në këtë situatë, hiqni dhe ngarkoni baterinë.

Treguesi i kapacitetit të mbetur të baterive

Vetëm për kuti baterie me llambë

► **Fig.2:** 1. Llambat treguese 2. Butoni i kontrollit Shtypni butonin e kontrollit në kutinë e baterisë për të treguar kapacitetin e mbetur të baterisë. Llambat treguese ndizen për pak sekonda.

Llambat treguese		Kapaciteti i mbetur
Ndezur	Fikur	
		75% deri 100%
		50% deri 75%
		25% deri 50%
		0% deri 25%

SHËNIM: Në varësi të kushteve të përdorimit dhe të temperaturës së ambientit, treguesi mund të ndryshojë paksa nga kapaciteti aktual.

Veprimi i ndërrimit

► **Fig.3:** 1. Çelësi

▲KUJDES: Përpara se ta vendosni kutinë e baterisë në vegël, kontrolloni gjithmonë nëse çelësi është në pozicionin e duhur dhe nëse kthehet në pozicionin “OFF” (fikur) kur lëshohet.

Për ta ndezur veglën, thjesht tërhiqni këmbëzën e çelësit. Shpejtësia e veglës rritet me rritjen e trysnisë në këmbëzën e çelësit. Lëshoni këmbëzën e çelësit për ta fikur.

Ndezja e llambës së përparme

► **Fig.4:** 1. Llamba

▲KUJDES: Mos e shikoni direkt dritën ose burimin e dritës.

Tërhiqni çelësin për të ndezur llambën. Llamba vazhdon të ndriçojë gjatë tërheqjes së çelësit. Llamba fiket afërsisht pas 10 sekondash pas lëshimit të këmbëzës së çelësit.

SHËNIM: Përdorni një leckë të thatë për të fshirë papastërtitë nga lentet e llambës. Bëni kujdes të mos gërvishitni lentet e llambës, në të kundërt ajo do të ulë ndriçimin.

Çelësi i ndryshimit të veprimit

► **Fig.5:** 1. Leva e ndryshimit të veprimit

▲KUJDES: Kontrolloni gjithmonë drejtimin e rrotullimit përpara përdorimit.

▲KUJDES: Përdorni çelësin e ndryshimit vetëm pasi vegla të ndalojë plotësisht. Ndryshimi i drejtimit të rrotullimit përpara se të ndalojë vegla mund të dëmtojë veglën.

▲KUJDES: Kur nuk e përdorni veglën, vendosni gjithmonë levën e çelësit të ndryshimit në pozicionin neutral.

Vegla ka një çelës ndryshimi për të ndryshuar drejtimin e rrotullimit. Shtypni levën e çelësit të ndryshimit nga ana A për rrotullimin në drejtimin orar ose nga ana B për rrotullimin në drejtim kundërorar.

Kur leva e çelësit të ndryshimit është në pozicionin neutral, çelësi nuk mund të tërhiqet.

Ndryshimi i shpejtësisë

► **Fig.6:** 1. Leva e ndryshimit të shpejtësisë

▲KUJDES: Vendosni gjithmonë leva për ndryshimin e shpejtësisë në pozicionin e duhur.

Nëse përdorni veglën duke vendosur levën e ndryshimit të shpejtësisë midis anës “1” dhe “2”, vegla mund të dëmtohet.

▲KUJDES: Mos e përdorni levën e ndryshimit të shpejtësisë ndërsa është duke punuar. Vegla mund të dëmtohet.


Pozicioni i levës së ndryshimit të shpejtësisë	Shpejtësia	Forca e shtrëngimit	Përdorimi i aplikueshëm
1	E ulët	E lartë	Përdorimi me ngarkesë të rëndë
2	E lartë	E ulët	Përdorimi me ngarkesë të lehtë


Për të ndryshuar shpejtësinë, në fillim fikni veglën. Përzgjidhni anën “2” për shpejtësi të lartë dhe “1” për shpejtësi të ulët por forcë të lartë. Përpara përdorimit, sigurohuni që leva e ndryshimit të shpejtësisë të jetë vendosur në pozicionin e duhur.

Nëse shpejtësia e veglës ulët shumë gjatë përdorimit me “2”, rrëshqitni levën në pozicionin “1” dhe rifilloni përdorimin.

Rregullimi i rrotullimit shtrëngues

► Fig.7: 1. Unaza e rregullimit 2. Gradimi 3. Shigjeta

Rrotullimi shtrëngues mund të rregullohet në 21 nivele duke rrotulluar unazën e rregullimit. Bashkërenditni gradimet me shigjetën në trupin e veglës. Mund të përftoni rrotullimin shtrëngues minimal në 1 dhe rrotullimin shtrëngues maksimal në shenjën .

Friksioni do të rreshqasë në nivele të ndryshme shtrëngimi kur caktohet në numrat 1 deri në 20. Friksioni nuk funksionon në shenjën .

Përpara se të filloni punë fusni një vidë për provë në materialin tuaj të punës ose në një material identik me të për të përcaktuar se cili nivel rrotullimi kërkohet për një aplikim të caktuar.

Më poshtë tregohet një udhëzues i përafërt i lidhjes ndërmjet përmasës së vidës dhe gradimit.

Gradimi	1	2	3	4	5	6	7	8	9	10	11	12	13	14	15	16	17	18	19	20
Vidë makinerie	M4								M5								M6			
Vidë druri	Dru i butë (p.sh. pishë)				-						Ø3,5 x 22				Ø4,1 x 38					
	Dru i fortë (p.sh. lauan)						-						Ø3,5 x 22				-			
									-								Ø4,1 x 38			

MONTIMI

▲KUJDES: Sigurohuni gjithmonë që vegla të jetë e fiksuar dhe kutia e baterisë të jetë hequr përpara se të kryeni ndonjë punë në vegël.

Instalimi ose heqja e majës së kaçavidës / majës së puntos

Për modelin DF333D (aksesori opsional)

► Fig.8: 1. Bokulla 2. Mbyllur 3. Hapur

Ktheni bokullën në drejtim kundërorar për të hapur nofullat e mandrinës. Vendosni majën e kaçavidës / majën e puntos në mandrinë deri në fund. Kthejeni bokullën në drejtim orar për të shtrënguar mandrinën. Për ta hequr majën e kaçavidës / majën e puntos, kthejeni bokullën në drejtim kundërorar.

Instalimi ose heqja e majës së kaçavidës / majës së çelësit

Për modelin DF033D (aksesori opsional)

► Fig.9

Përdorni vetëm maja kaçavide/çelësi që kanë pjesën që mund të futet siç tregohet në figurë. Mos përdorni asnjë majë tjetër kaçavide/çelësi.

SHËNIM: Mund të përdoren të dy llojet e majave të puntos, ajo më e cekët (A=12 mm, B=9 mm) dhe ajo më e thellë (A=17 mm, B=14 mm).

Për ta instaluar majën e kaçavidës, tërhiqni bokullën në drejtimin e shigjetës dhe fusni majën në bokull deri në fund.

Më pas lëshojeni bokullën për ta siguruar majën.

► Fig.10: 1. Maja e kaçavidës 2. Bokulla

Për ta hequr majën e kaçavidës, tërhiqni bokullën në drejtim të shigjetës dhe tërhiqni majën e kaçavidës jashtë.

SHËNIM: Nëse maja e kaçavidës nuk futet aq thellë sa duhet në bokull, ajo nuk do të kthehet në pozicionin fillestar dhe maja e kaçavidës nuk do të jetë e sigurt. Në këtë rast, përpunoni të fusni sërish majën sipas udhëzimeve të mësipërme.

SHËNIM: Pas instalimit të majës së kaçavidës, sigurohuni që ajo është siguruar fort. Nëse ajo del, mos e përdorni për së dyti.

Vendosja e grepit

▲KUJDES: Kur instaloni grepin, gjithmonë sigurojeni atë fort me vidën. Ndryshe, grepi mund të bjerë nga vegla dhe mund të rezultojë në lëndime personale.

► Fig.11: 1. Ulluku 2. Grepit 3. Vida

Grepit shërben për ta varur veglën përkohësisht. Grepit mund të montohet në cilëndo anë të veglës. Për të instaluar grepin, futeni në një kanal në folenë e veglës në njërin anë dhe më pas sigurojeni atë me një vidë. Për ta hequr, lirojeni vidën dhe më pas nxirreni.

Vendosja e mbajtëses së majës së kaçavidës

Aksesorë opsionalë

► Fig.12: 1. Mbajtësi i majës së kaçavidës 2. Maja e kaçavidës

Puthiteni mbajtësen e majës së kaçavidës te pjesa e dalë në bazamentin e veglës në anën e djathtë ose të majtë dhe fiksojeni me një vidë. Nëse nuk e përdorni majën e kaçavidës, mbajeni atë në mbajtëset e majës së kaçavidës. Aty mund të mbahen maja 45 mm të gjata.

PËRDORIMI

▲KUJDES: Futeni gjithmonë deri në fund kutinë e baterisë derisa të bllokohet në vend. Nëse shikoni treguesin e kuq në anën e sipërme të butonit, ajo nuk është e bllokuar plotësisht. Futeni plotësisht derisa treguesi i kuq të mos shihet. Në të kundërt, ajo mund të bjerë aksidentalisht nga vegla duke ju lënduar juve ose personin pranë jush.

▲KUJDES: Kur shpejtësia ulet shumë, ulni ngarkesën ose ndaloni veglën për të shmangur dëmtimin e saj.

Mbajeni veglën fort me njërin dorë të doreza dhe me dorën tjetër në pjesën e poshtme të kutisë së baterisë për të kontrolluar veprimin e përdredhjes.

► Fig.13

Funksionimi i vidhosjes


▲KUJDES: Rregulloni unazën rregulluese në nivelin e duhur të rrotullimit për punën tuaj.

▲KUJDES: Sigurohuni që puntoja futet drejt në kokën e vidës ose vida dhe/ose maja e kaçavidës mund të dëmtohet.

Vendosni majën e puntos së vidhosjes në kokën e vidës dhe ushtroni presion në vegël. Ndizni veglën ngadalë dhe më pas rrisni gradualisht shpejtësinë. Lëshoni çelësin sapo shtrëngimi të aktivizohet.

SHËNIM: Kur vidhosni vida druri, shpini paraprakisht një vrimë pilot me diametër sa 2/3 e diametrit të vidës. Kjo e bën vidhosjen më të lehtë dhe parandalon çarjen e materialit të punës.

Funksionimi i shpimit

Së pari ktheni unazën e rregullimit në mënyrë që shigjeta në trupin e veglës të tregojë drejt shenjës . Më pas procedoni si më poshtë.

Shpimi në dru

Gjatë shpimit në dru arrihen rezultate më të mira me përdorimin e puntovave për dru me vidë udhëzuese. Vida udhëzuese lehtëson shpimin sepse tërheq majën e puntos në objekt.

Shpimi në metal

Për të parandaluar daljen e majës së puntos kur bëni një vrimë, bëni një shenjë me bulino dhe çekiç në vendin ku do të shpohet. Pastaj në vendin e shënuar vendosni majën e puntos dhe filloni shpimin. Gjatë shpimit të metalit përdorni lubrifikuesin për prerje. Përfundim bën shpimi i hekurit dhe bronzit që duhet të shpohen në të thatë.

▲KUJDES: Shtypja e tepër e veglës nuk do të shpejtojë shpimin. Në fakt, shtypja e madhe do të dëmtojë majën e puntos, zvogëlon efikasitetin e veglës dhe shkurton afatin e përdorimit të veglës.

▲KUJDES: Mbajeni veglën fort dhe bëni kujdes kur maja e puntos fillon të depërtojë përmes objektit që po punohet. Gjatë depërimit të puntos në anën e kundërt të objektit mbi vegël/majën e puntos ushtrohet një forcë e madhe shpuese.

▲KUJDES: Maja e puntos e ngecur mund të hiqet thjesht duke vendosur çelësin e ndryshimit në rrotullimin e anasjelltë për ta nxjerrë puntos. Megjithatë, vegla mund të dalë papritmas nëse nuk e mbani fort.

▲KUJDES: Sigurori gjithmonë materialet e punës në morsë ose pajisje të ngjashme për shtrëngim.

▲KUJDES: Nëse vegla përdoret në mënyrë të vazhdueshme derisa bateria të shkarkohet, mos e përdorni veglën për 15 minuta derisa të vazhdoni me një bateri të re.

Përdorimi i veglës si kaçavidë dore

► Fig.14

Fikeni veglën.

Lëvizini levën e çelësit të ndryshimit në pozicion neutral.

Ktheni unazën rregulluese në mënyrë që shigjeta në

trupin e veglës të tregojë drejt shenjës .

Ktheni veglën.

SHËNIM: Ky përdorim është i përshtatshëm për të kontrolluar vidhosjen.

SHËNIM: Mos e përdorni veglën për punë që kërkon forcë të tepërt, si për të shtrënguar bulona ose për të hequr vidat e ndryshkura.

Përdorimi i këllëfit

Aksesorë opsionalë

▲KUJDES: Kur përdorni këllëfin, hiqni majën e kaçavidës/majën e trapanit nga vegla.

▲KUJDES: Fikeni veglën dhe prisni derisa të ndalojë plotësisht përpara se ta vendosni në këllëf. Sigurohuni që ta mbyllni mirë këllëfin me butonin e këllëfit në mënyrë që ai ta mbajë veglën të sigurt.

1. Vendosni një rrip mes i ose diçka të ngjashme në mbajtësen e këllëfit.

► Fig.15: 1. Mbajtësja e këllëfit 2. Rripi i mesit

2. Vendosni veglën në këllëf dhe mbylleni këllëfin me anë të butonit të këllëfit.

► Fig.16

► Fig.17

Në pjesën e përparme të këllëfit mund të mbahen dy maja kaçavide.

MIRËMBAJTJA

▲KUJDES: Sigurohuni gjithmonë që vegla të jetë fikur dhe të jetë hequr nga bateria përpara se të kryeni inspektimin apo mirëmbajtjen.

VINI RE: Mos përdorni kurrë benzinë, benzinë pastrimi, hollues, alkool dhe të ngjashme. Mund të shkaktoni çngjyrosje, deformime ose krisje.

Për të ruajtur SIGURINË dhe QËNDRUESHMËRINË, riparimet dhe çdo mirëmbajtje apo rregullim tjetër duhen kryer nga qendrat e autorizuara të shërbimit ose të shërbimit të fabrikës të Makita-s, duke përdorur gjithnjë pjesë këmbimi të Makita-s.

AKSESORË OPSIONALË

▲KUJDES: Këta aksesore ose shtojca rekomandohen për përdorim me veglën Makita të përcaktuar në këtë manual. Përdorimi i aksesoreve apo shtojcave të tjera ndryshe nga këto mund të përbëjë rrezik lëndimi. Aksesoret ose shtojcat përdorini vetëm për qëllimin e tyre të përcaktuar.

Nëse keni nevojë për më shumë të dhëna në lidhje me aksesoret, pyesni qendrën vendore të shërbimit të Makita-s.

- Majat e puntove
- Majat e kaçavidës
- Punte formë çelësi
- Mbajtësi i majës së kaçavidës
- Këllëfi
- Kutia mbajtëse plastike
- Grep
- Bateri dhe ngarkues origjinal Makita

SHËNIM: Disa artikuj të listës mund të përfshihen në paketën e veglës si aksesore standardë. Ato mund të ndryshojnë nga njëri shtet në tjetrin.

СПЕЦИФИКАЦИИ

Модел:		DF333D	DF033D
Работен капацитет при пробиване	Стомана	10 мм	
	Дърво	21 мм	
Работен капацитет при затягане	Винт за дърво	5,1 мм x 63 мм	
	Машинен винт	M6	
Скорост без товар	Висока (2)	0 – 1 700 мин ⁻¹	
	Ниска (1)	0 – 450 мин ⁻¹	
Обща дължина		179 мм	149 мм
Номинално напрежение		Постоянно напрежение 10,8 V – 12 V макс.	
Тегло нето		1,1 – 1,2 кг	0,93 – 1,1 кг

- Поради нашата непрекъсната научно-развойна дейност посочените тук спецификации могат да бъдат променени без предизвестие.
- Спецификациите може да са различни в различните държави.
- Теглото може да се различава в зависимост от принадлежността(ите), включително акумулаторната батерия. Най-леката и най-тежката комбинация в съответствие с процедурата на EPTA 01/2014 са показани в таблицата.

Приложима акумулаторна батерия и зарядно устройство

Акумулаторна батерия	BL1015 / BL1016 / BL1020B / BL1021B / BL1040B / BL1041B
Зарядно устройство	DC10SA / DC10SB / DC10WC / DC10WD / DC18RE

- Някои от акумулаторните батерии и зарядните устройства, посочени по-горе, може да не са налични в зависимост от региона на местоживеене.

⚠ ПРЕДУПРЕЖДЕНИЕ: Използвайте само посочените по-горе акумулаторни батерии и зарядни устройства. Използването на други акумулаторни батерии и зарядни устройства може да причини нараняване и/или пожар.

Предназначение

Инструментът е предназначен за пробиване и завиване на винтове в дърво, метал и пластмаса.

Шум

Обичайното ниво на шума с тегловен коефициент A, определено съгласно EN62841-2-1:

Модел DF333D

Ниво на звуково налягане (L_{pA}): 70 dB(A) или по-малко
Коефициент на неопределеност (K): 3 dB(A)

При работа нивото на шума може да превиши 80 dB (A).

Модел DF033D

Ниво на звуково налягане (L_{pA}): 70 dB(A) или по-малко
Коефициент на неопределеност (K): 3 dB(A)

При работа нивото на шума може да превиши 80 dB (A).

ЗАБЕЛЕЖКА: Обявената(ите) стойност(и) на шумовите емисии $e(сa)$ измерена(и) в съответствие със стандартни методи за изпитване и може да се използва(т) за сравняване на инструменти.

ЗАБЕЛЕЖКА: Обявеното(ите) стойност(и) на шумови емисии може да се използва(т) също и за предварителна оценка на вредното въздействие.

⚠ ПРЕДУПРЕЖДЕНИЕ: Използвайте предпазни средства за слуха.

⚠ ПРЕДУПРЕЖДЕНИЕ: Нивото на шума при работа с електрическия инструмент може да се различава от обявената(ите) стойност(и) в зависимост от начина на използване на инструмента, по-специално какъв детайл се обработва.

⚠ ПРЕДУПРЕЖДЕНИЕ: Задължително определете предпазни мерки за защита на оператора въз основа на оценка на риска в реални работни условия (като се вземат предвид всички етапи на работния цикъл, като например момента на изключване на инструмента, работата на празен ход, както и времето на действие).

Вибрации

Общата стойност на вибрациите (сума от три осови вектора), определена съгласно EN62841-2-1:

Модел DF333D

Работен режим: пробиване в метал
Ниво на вибрациите ($a_{h,r}$): 2,5 m/s^2 или по-малко
Коефициент на неопределеност (K): 1,5 m/s^2

Модел DF033D

Работен режим: пробиване в метал
Ниво на вибрациите ($a_{h,D}$): 2,5 m/s^2 или по-малко
Коефициент на неопределеност (K): 1,5 m/s^2

ЗАБЕЛЕЖКА: Обявената(ите) обща(и) стойност(и) на вибрациите е(са) измерена(и) в съответствие със стандартни методи за изпитване и може да се използва(т) за сравняване на инструменти.

ЗАБЕЛЕЖКА: Обявената(ите) обща(и) стойност(и) на вибрациите може да се използва(т) също и за предварителна оценка на вредното въздействие.

▲ПРЕДУПРЕЖДЕНИЕ: Нивото на вибрациите при работа с електрическия инструмент може да се различава от обявената(ите) стойност(и) в зависимост от начина на използване на инструмента, по-специално какъв детайл се обработва.

▲ПРЕДУПРЕЖДЕНИЕ: Задължително определете предпазни мерки за защита на оператора въз основа на оценка на риска в реални работни условия (като се вземат предвид всички етапи на работния цикъл, както например момента на изключване на инструмента, работата на празен ход, както и времето на задействане).

ЕО декларация за съответствие

Само за европейските страни

ЕО декларацията за съответствие е включена като Анекс А към тази инструкция за употреба.

ПРЕДУПРЕЖДЕНИЯ ЗА БЕЗОПАСНОСТ

Общи предупреждения за безопасност при работа с електрически инструменти

▲ПРЕДУПРЕЖДЕНИЕ: Прочетете всички предупреждения, инструкции, илюстрации и спецификации за безопасността, предоставени с този електрически инструмент. При неспазване на изброените по-долу инструкции има опасност от токов удар, пожар и/или тежко нараняване.

Запазете всички предупреждения и инструкции за справка в бъдеще.

Терминът "електрически инструмент" в предупрежденията се отнася за вашия инструмент (с кабел за включване в мрежата) или работещ на батерии (безжичен) електрически инструмент.

Предупреждения за безопасна работа с акумулаторна бормашина с винтоверт

Инструкции за безопасност за всички операции

1. **Дръжте електрическия инструмент за изолираните и нехлъзгави повърхности, когато по време на работа има опасност режещият елемент или закрепващите елементи да се допрат до скрити кабели.** Ако режещият елемент или закрепващите елементи докоснат проводник под напрежение, токът може да премине през металните части на електрическия инструмент и да „ударят“ работещия.
2. **Винаги осигурявайте добра опора за краката си.** Когато използвате инструмента на високи места, се убедете, че отдолу няма нийки.
3. **Дръжте инструмента здраво.**
4. **Дръжте ръцете си далеч от въртящите се части.**
5. **Не оставяйте инструмента да работи без надзор.** Инструментът трябва да работи само когато го държите в ръце.
6. **Не докосвайте свредлото или работния детайл непосредствено след работа, защото могат да са много горещи и да изгорят кожата ви.**
7. **Някои материали съдържат химикали, които е възможно да са токсични.** Вземете предпазни мерки, за да предотвратите вдихването на прах и контакта с кожата. Следвайте информацията на доставчика за безопасната работа с материала.
8. **Ако свредлото не може да се разхлаби дори при отваряне на челюстите, използвайте клещи, за да го извадите.** Изваждането на свредлото с ръка може да Ви нарани с остриете си ръбове.

Инструкции за безопасност при използване на дълги свредла

1. **Никога не работете на по-високи обороти от максималните, за които е оразмерено свредлото.** При по-високи обороти свредлото може да се огъне, ако му се позволи да се върти свободно, без да е в контакт с детайла, което ще доведе до телесно нараняване.
2. **Винаги започвайте да пробивате на ниски обороти и с връх на свредлото, допрян до детайла.** При по-високи обороти свредлото може да се огъне, ако му се позволи да се върти свободно, без да е в контакт с детайла, което ще доведе до телесно нараняване.
3. **Прилагайте натиск само по права линия спрямо свредлото, но не натискайте твърде силно.** Свредлата може да се огънат, което ще доведе до счупване или загуба на контрол, причинявайки телесни наранявания.

ЗАПАЗЕТЕ НАСТОЯЩИТЕ ИНСТРУКЦИИ.

▲ПРЕДУПРЕЖДЕНИЕ: НЕ позволявайте комфорта от познаването на продукта (придобит при дългата му употреба) да замени стриктното спазване на правилата за безопасност за въпросния продукт. НЕПРАВИЛНАТА УПОТРЕБА и неспазването на правилата за безопасност, посочени в настоящото ръководство за експлоатация, могат да доведат до тежки наранявания.

Важни инструкции за безопасност за акумулаторната батерия

1. Преди да използвате акумулаторната батерия, прочетете всички инструкции и предупредителни маркировки на (1) зарядното устройство за батериите, (2) за батериите и (3) за използващия батериите продукт.
2. Не разглобявайте акумулаторните батерии.
3. Ако мощността на машината намалее много, веднага спрете да работите. Това може да доведе до риск от прегряване, до възможни изгаряния и даже до експлозии.
4. Ако в очите ви попадне електролит, изплакнете ги с чиста вода и веднага потърсете лекарска помощ. Това може да доведе до загуба на зрението ви.
5. Не давайте на късо акумулаторните батерии:
 - (1) Не докосвайте клемите с проводими материали.
 - (2) Избягвайте съхраняването на акумулаторните батерии в контейнер с други метални предмети като пирони, монети и други подобни.
 - (3) Не излагайте акумулаторните батерии на вода или дъжд.Закъсяването на акумулаторна батерия може да доведе до протичане на много силен ток, до прегряване, до възможни изгаряния и даже до разпадане на батерията.
6. Не съхранявайте инструмента и акумулаторните батерии на места, където температурата може да достигне или надмине 50 °C (122 °F).
7. Не изгаряйте акумулаторните батерии даже и ако те са сериозно повредени или напълно износени. Акумулаторната батерия може да експлодира в огън.
8. Внимавайте да не изпускате или удряте акумулаторната батерия.
9. Не използвайте повредени акумулаторни батерии.
10. Съдържащите се литиево-йонни акумулаторни батерии са обект на изискванията на законодателството за опасни стоки. При търговски превози, напр. от трети страни, спедитори, трябва да се спазват специални изисквания за опаковане и етикетироване. За подготовка на артикула, който трябва да бъде изпратен, е необходима консултация с експерт по опасните материали. Моля, спазвайте и евентуално по-подробните национални разпоредби.

- Залепете с лента или покривайте контактите и опаковайте акумулаторната батерия по такъв начин, че да не може да се премества в опаковката.
11. При изхвърляне на акумулаторната батерия я извадете от инструмента и я изхвърлете на подходящо място. Спазвайте местните разпоредби за изхвърляне на акумулаторни батерии.
 12. Използвайте батериите само с продуктите, определени от Makita. Поставянето на батериите към неодоброени продукти може да предизвика пожар, прегряване, взрив или изтичане на електролит.
 13. Ако инструментът няма да се използва продължително време, батерията трябва да се извади от него.

ЗАПАЗЕТЕ НАСТОЯЩИТЕ ИНСТРУКЦИИ.

▲ВНИМАНИЕ: Използвайте само оригинални акумулаторни батерии на Makita. При използване на различни от акумулаторните батерии на Makita или стари акумулаторни батерии може да се получи пръскане на акумулаторната батерия, което да доведе до пожар, нараняване или повреда. Това също ще анулира гаранцията на Makita за инструмента и зарядното устройство Makita.

Съвети за поддържане на максимално дълъг живот на акумулаторните батерии

1. Зареждайте акумулаторните батерии, преди те да са се разреждали напълно. Когато забележите, че мощността на инструмента намалява, винаги спирайте работата с инструмента и заредете акумулаторната батерия.
2. Никога не презареждайте напълно заредена акумулаторна батерия. Презарядът скъсява експлоатационния живот на батерията.
3. Зареждайте акумулаторната батерия при стайна температура от 10 °C – 40 °C (50 °F – 104 °F). Оставете загритите акумулаторни батерии да се охладят, преди да ги зареждате.

ОПИСАНИЕ НА ФУНКЦИИТЕ

⚠ ВНИМАНИЕ: Винаги проверявайте дали инструментът е изключен и касетата с акумулаторната батерия е извадена, преди да регулирате или проверявате дадена функция на инструмента.

Поставяне и изваждане на акумулаторната батерия

⚠ ВНИМАНИЕ: Винаги изключвайте инструмента преди поставяне или изваждане на акумулаторната батерия.

⚠ ВНИМАНИЕ: Когато инсталирате или изваждате акумулаторната батерия, дръжте здраво инструмента и акумулаторната батерия. Ако не държите здраво инструмента и акумулаторната батерия, те могат да се изпълзват от ръцете ви и да доведат до повреждане на инструмента и акумулаторната батерия или нараняване.

► **Фиг.1:** 1. Червен индикатор 2. Бутон
3. Акумулаторна батерия

За да извадите акумулаторната батерия, я плъзнете извън инструмента, плъзгайки същевременно бутон в предната част на акумулаторната батерия.

За да поставите акумулаторната батерия, изравнете езичето на акумулаторната батерия с жлеба в корпуса и го плъзнете на мястото му. Вмъкнете го докрай, докато ключалката го задържи на място с малко прищракване. В случай че виждате червения индикатор в горната част на бутона, това означава, че тя не е фиксирана напълно на мястото си.

⚠ ВНИМАНИЕ: Винаги вмъквайте акумулаторната батерия докрай, така че червеният индикатор да се скрие. В противен случай тя може неволно да изпадне от инструмента, което може да нарани вас или някого около вас.

⚠ ВНИМАНИЕ: Не инсталирайте акумулаторната батерия със сила. Ако батерията не се движи свободно, тя не е била поставена правилно.

Предпазна система на акумулатора

Инструментът е оборудван с предпазна система на акумулатора. Тази система автоматично прекъсва захранването на електромотора, за да осигури по-дълъг живот на акумулатора.

Инструментът ще спре автоматично по време на работа, ако инструментът и/или батерията са поставени при едно от следните условия:

Претоварване:

Инструментът се използва по начин, който налага използването на прекалено много ток. В този случай изключете инструмента и спрете операцията, която претоварва инструмента. След това отново включете инструмента, за да продължите. Ако инструментът не стартира отново, батерията е прегряла. При това положение оставете акумулаторната батерия да изстине, преди да включите инструмента отново.

Ниско напрежение на батерията






Оставащият капацитет на акумулаторната батерия е твърде малък, за да може да осигури работа на инструмента. Ако включите инструмента, двигателят стартира, но скоро след това спира. При такава ситуация извадете и заредете батерията.

Индикация на оставащия капацитет на акумулаторната батерия

Само за акумулаторни батерии с индикатор

► **Фиг.2:** 1. Светлинни индикатори 2. Бутон за проверка

Натиснете бутона за проверка на акумулаторната батерия за показване на оставащия заряд на батерията. Светлинните индикатори ще светнат за няколко секунди.

Светлинни индикатори		Оставащ заряд на батерията
Свети	Изкл.	
		75% до 100%
		50% до 75%
		25% до 50%
		0% до 25%

ЗАБЕЛЕЖКА: В зависимост от условията на употреба и околната температура е възможно показванията леко да се различават от действителния капацитет.

Включване

► **Фиг.3:** 1. Пусков прекъсвач

⚠ ВНИМАНИЕ: Преди да поставите батерията в инструмента, винаги проверявайте дали пусковият прекъсвач работи нормално и се връща в положение "OFF" (ИЗКЛ.) при отпускането му.

За да включите инструмента, просто натиснете пусковия прекъсвач. Оборотите на инструмента се увеличават с увеличаване на натиска върху пусковия прекъсвач. За спиране отпуснете пусковия прекъсвач.

Включване на предната лампичка

► **Фиг.4:** 1. Лампа

⚠ ВНИМАНИЕ: Не гледайте директно в светлинния източник.

Натиснете пусковия прекъсвач, за да включите лампата. Лампата свети, докато пусковият прекъсвач е натиснат. Лампата се самоизключва около 10 секунди след отпускане на пусковия прекъсвач.

ЗАБЕЛЕЖКА: Използвайте суха кърпа, за да изчистите полепналата по лупата на лампата мръсотия. Внимавайте да не надраскате лупата на лампата, тъй като това ще влоши осветяването.

Действие на превключателя за промяна на посоката

► Фиг.5: 1. Превключвател на посоката на въртене

ВНИМАНИЕ: Винаги проверявайте посоката на въртене преди работа.

ВНИМАНИЕ: Използвайте превключателя за промяна на посоката на въртене само когато инструментът е напълно спрял. Промяна на посоката на въртене преди спиране на инструмента може да го повреди.

ВНИМАНИЕ: Когато инструментът не се използва, винаги поставяйте превключвателя на посоката на въртене в неутрално положение.

Инструментът е снабден с превключвател за промяна на посоката на въртене. Натиснете превключвателя на посоката на въртене от положение А за въртене по посока на часовниковата стрелка към положение В за посока обратна на часовниковата стрелка.

Когато превключвателя на посоката на въртене е в неутрална позиция, пусковият прекъсвач не може да бъде натиснат.

Промяна на скоростта на въртене

► Фиг.6: 1. Превключвател на скоростта на въртене

ВНИМАНИЕ: Винаги поставяйте превключвателя на скоростта на въртене докрай в правилното положение. Ако експлоатирате инструмента, когато превключвателят на скоростта на въртене е поставен по средата, между страна "1" и страна "2", това може да повреди инструмента.

ВНИМАНИЕ: Не използвайте превключвателя на скоростта на въртене, докато инструментът работи. Инструментът може да се повреди.


Положение на превключвателя на скоростта на въртене	Обороти	Въртящ момент	Приложимо действие
1	Ниско	Високо	Работа с високо натоварване
2	Високо	Ниско	Работа с ниско натоварване

За промяна на оборотите най-напред изключете инструмента. Изберете положение "2" за по-високи обороти или "1" за ниски обороти, но с повишен въртящ момент. Преди работа проверявайте дали превключвателя на скоростта на въртене е поставен в правилното положение.


Ако оборотите на инструмента рязко спадат по време на работа с "2", преместете превключвателя на "1" и подновете работата.

Регулиране на момента на затягане

► Фиг.7: 1. Регулиращ пръстен 2. Скала 3. Стрелка

Моментът на затягане може да се регулира на 21 степени чрез завъртане на регулиращия пръстен. Изравнете деленията със стрелката върху корпуса на инструмента. Моментът на затягане е минимален в положение "1" и максимален в положението на маркировката .

Съединителят ще приплъзва при различни нива на момента на затягане при задаване на 1 до 20.

Съединителят не работи в положението на маркировката .

Преди работа завийте един винт за проба в материала или в образец от него, за да определите нужното ниво на затягане за конкретното приложение.

Следното дава обща представа за връзката между размера на винта и деленията.

Скала		1	2	3	4	5	6	7	8	9	10	11	12	13	14	15	16	17	18	19	20					
Машинен винт		M4								M5						M6										
Винт за дърво	Меко дърво (напр. бор)	-								φ3,5 x 22						φ4,1 x 38										
	Твърдо дърво (напр. лауан)	-								-						φ3,5 x 22						-				
																φ4,1 x 38										

СГЛОБЯВАНЕ

⚠ВНИМАНИЕ: Преди да извършите някакви дейности по инструмента, задължително проверете дали той е изключен и акумулаторната батерия е извадена.

Монтаж или демонтаж на накрайник за отвертка/свредло

За модел DF333D (допълнителен аксесоар)

► Фиг.8: 1. Патронник 2. Затваряне 3. Отваряне

Завъртете патронника по посока, обратна на часовниковата стрелка, за да се отворят челюстите му. Поставете накрайника за отвертка/свредлото възможно най-навътре в патронника. Завъртете патронника по посока на часовниковата стрелка, за да затегнете челюстите. За изваждане на накрайника за отвертка/свредлото завъртете патронника обратно на часовниковата стрелка.

Поставяне или сваляне на накрайника за отвертка/накрайника тип вложка

За модел DF033D (допълнителен аксесоар)

► Фиг.9

Използвайте само накрайник за отвертка/накрайник тип вложка, които са с участък за вмъкване като показания на фигурата. Никога не използвайте друг накрайник за отвертка/накрайник тип вложка.

ЗАБЕЛЕЖКА: Могат да се използват накрайници за отвертка както от по-плиткия тип (A=12 мм, B=9 мм), така и от по-дълбокия тип (A=17 мм, B=14 мм).

За да монтирате накрайника за отвертка, издърпайте патронника по посока на стрелката и поставете накрайника за отвертка до упор в патронника. След това отпуснете патронника, за да заключите накрайника за отвертка.

► Фиг.10: 1. Накрайник за отвертка 2. Патронник

За да извадите накрайника за отвертка, издърпайте патронника по посока на стрелката и издърпайте накрайника за отвертка.

ЗАБЕЛЕЖКА: Ако накрайникът за отвертка не е поставен на необходимата дълбочина в патронника, той няма да се върне на позицията си и накрайникът няма да бъде заключен. В този случай се опитайте да поставите отново накрайника, следвайки горните указания.

ЗАБЕЛЕЖКА: След поставяне на накрайника за отвертка проверете дали е затегнат здраво. Ако накрайникът изпада, не го използвайте.

Монтиране на кука

⚠ВНИМАНИЕ: Когато монтирате куката, винаги я затягайте здраво с винта. В противен случай куката може да изпадне от инструмента и да причини телесно нараняване.

► Фиг.11: 1. Жлеб 2. Кука 3. Винт

Куката може да се използва за ваше удобство за временно закачане на инструмента. Куката може да се монтира от всяка страна на инструмента. За да монтирате куката, поставете я в жлеба на инструмента независимо от коя страна, след което я завийте с винт. За да я свалите, отвийте винта и я махнете.

Монтиране на държача на накрайници за отвертка

Допълнителни аксесоари

► Фиг.12: 1. Държач на накрайници за отвертка
2. Накрайник за отвертка

Поставете държача на накрайници за отвертка в изпъкналата част в основата на инструмента отдясно или отляво и го закрепете с винт. Когато не използвате накрайника за отвертка, го съхранявайте в държачите за накрайници. Там могат да се съхраняват накрайници с дължина 45 мм.

Експлоатация

⚠ВНИМАНИЕ: Винаги поставяйте акумулаторната батерия, докато се фиксира на място. В случай че виждате червенния индикатор в горната част на бутона, това означава, че тя не е фиксирана напълно на мястото си. Приплъзнете го докрай, докато червеният индикатор се скрие. В противен случай тя може неволно да изпадне от инструмента, което може да нарани вас или някого около вас.

⚠ВНИМАНИЕ: При рязко спадане на обротите, намалете натоварването или спрете инструмента, за да не го повредите.

Хванете здраво инструмента с едната ръка върху ръкохватката и с другата върху долната страна на акумулаторната батерия, за да противодействате на силата на въртене.

► Фиг.13

Работа със завинтване


⚠ВНИМАНИЕ: Поставете регулиращия пръстен на правилното ниво за затягане, необходимо за вашата работа.

⚠ВНИМАНИЕ: Уверете се, че накрайникът за отвертка е поставен директно в главата на винта – в противен случай винтът и/или накрайникът може да се повреди.

Поставете върха на найкрайника за отвертка на дървото на винта и окажете натиск върху инструмента. Пуснете инструмента на бавен ход, а след това постепенно увеличавайте оборотите. Отпуснете пусковия прекъсвач веднага щом инструментът превърти.

ЗАБЕЛЕЖКА: При вкарване на винт за дърво предварително пробийте водещ отвор с диаметър 2/3 от диаметъра на винта. Това улеснява завиването на винта и предпазва обработвания детайл от разцепване.

Работа с пробиване

Първо завъртете регулиращия пръстен така, че стрелката върху корпуса на инструмента да сочи към отметката . След това продължете, както следва.

Пробиване в дърво

Когато пробивате в дърво, най-добри резултати се получават със свредла за пробиване на дърво, снабдени с водещ винт. Той улеснява пробиването като издърпва свредлото в обработвания детайл.

Пробиване в метал

За да избегнете отклоняване на свредлото, когато започвате да пробивате отвор, направете вдлъбнатина с пробой и чук в точката на пробиване. Поставете върха на свредлото във вдлъбнатината и започнете да пробивате.

При пробиване на метали използвайте смазка за рязане. Изключения са чугунът и бронзът, които трябва да се пробиват на сухо.

⚠ВНИМАНИЕ: Прекомерно силен натиск върху инструмента няма да ускори пробиването. Всъщност този излишен натиск само може да доведе до повреда на върха на свредлото, да намали ефективността на инструмента и да съкрати срока за експлоатация на инструмента.

⚠ВНИМАНИЕ: Дръжте инструмента здраво и работете с внимание, когато свредлото започне да прониква през обработвания детайл. В момента на разпробиване на отвор възниква огромна сила, упражнявана върху инструмента/свредлото.


⚠ВНИМАНИЕ: Блокирано свредло може да се извади лесно, като превключателят на посоката на въртене се настрои за обратно въртене, за да се извади. Въпреки това инструментът може рязко да завърти обратно, ако не го държите здраво.

⚠ВНИМАНИЕ: Малките обработвани детайли трябва винаги да се закрепват в менгеме или подобно задържащо устройство.

⚠ВНИМАНИЕ: Ако инструментът е бил използван без прекъсване до разреждане на акумулаторната батерия, го оставете в покой за 15 минути преди продължаване на работа с нова заредена батерия.

Използване на инструмент като ръчна отвертка

► Фиг.14

Изключете инструмента. Преместете превключателя на посоката на въртене в неутрално положение. Завъртете регулиращия пръстен така, че стрелката върху корпуса на инструмента да сочи към маркировката . Включете инструмента.

ЗАБЕЛЕЖКА: Такава употреба е удобна за проверка на затягането.

ЗАБЕЛЕЖКА: Не работете с инструмента по време на дейности, където се използва значителна сила, например при затягане на болтове или при развиване на ръждясали винтове.

Използване на кобура

Допълнителни аксесоари

⚠ВНИМАНИЕ: Когато използвате кобура, отстранете найкрайника за отвертка/свредлото от инструмента.

⚠ВНИМАНИЕ: Изключете инструмента и изчакайте, докато спре напълно, преди да го поставите в кобура. Винаги затваряйте добре кобура с помощта на бутона, така че да държи стабилно инструмента.

1. Прокарайте колан през кръста или подобен колан през държача на кобура.

► Фиг.15: 1. Държач за кобура 2. Колан

2. Поставете инструмента в кобура и го заключете с бутона на кобура.

► Фиг.16

► Фиг.17

Отпред на кобура може да се закрепват два найкрайника за отвертка.

ПОДДРЪЖКА

⚠ВНИМАНИЕ: Преди да проверявате или извършвате поддръжка на инструмента, се уверете, че той е изключен и акумулаторната батерия е извадена.

БЕЛЕЖКА: Не използвайте бензин, нафта, разреждател, спирт и др. подобни. Това може да причини обезцветяване, деформация или пукнатини.

За да се поддържа БЕЗОПАСНОСТТА и НАДЕЖНОСТТА на продукта, ремонтите, поддръжката или регулирането трябва да се извършват от упълномощен сервиз или фабрични сервизни центрове на Makita, като винаги трябва да използвате резервни части от Makita.

ДОПЪЛНИТЕЛНИ АКСЕСОАРИ

⚠️ВНИМАНИЕ: Препоръчва се използването на тези аксесоари или накрайници с вашия инструмент Makita, описан в настоящото ръководство. Използването на други аксесоари или накрайници може да доведе до опасност от телесни повреди. Използвайте съответния аксесоар или накрайник само по предназначение.

Ако имате нужда от помощ за повече подробности относно тези аксесоари, се обърнете към местния сервизен център на Makita.

- Свредла
- Накрайници за отвертка
- Накрайници тип вложка
- Държач на накрайници за отвертка
- Кобур
- Пластмасово куфарче за пренасяне
- Кука
- Оригинална акумулаторна батерия и зарядно устройство на Makita

ЗАБЕЛЕЖКА: Някои артикули от списъка може да са включени в комплекта на инструмента, като стандартни аксесоари. Те може да са различни в различните държави.

SPECIFIKACIJE

Model:		DF333D	DF033D
Kapaciteti bušenja	Čelik	10 mm	
	Drvo	21 mm	
Kapaciteti pričvršćivanja	Vijak za drvo	5,1 mm x 63 mm	
	Strojni vijak	M6	
Brzina bez opterećenja	Visoko (2)	0 - 1.700 min ⁻¹	
	Nisko (1)	0 - 450 min ⁻¹	
Ukupna dužina		179 mm	149 mm
Nazivni napon		DC 10,8 V - maks. 12 V	
Neto težina		1,1 - 1,2 kg	0,93 - 1,1 kg

- Zahvaljujući našem stalnom programu razvoja i istraživanja, navedene specifikacije podložne su promjenama bez obavijesti.
- Specifikacije mogu biti različite ovisno o zemlji.
- Težina se može razlikovati ovisno o opremi, uključujući baterijski uložak. Najlakša i najteža kombinacija, sukladno postupku EPTA 01/2014, prikazane su u nastavku.

Odgovarajući baterijski uložak i punjač

Baterija	BL1015 / BL1016 / BL1020B / BL1021B / BL1040B / BL1041B
Punjač	DC10SA / DC10SB / DC10WC / DC10WD / DC18RE

- Neki od navedenih baterijskih uložaka i punjača možda neće biti dostupni ovisno o regiji u kojoj se nalazite.

⚠ UPOZORENJE: Upotrebjavajte samo navedene baterijske uloške i punjače. Upotreba bilo koje druge vrste baterijskih uložaka i punjača može prouzročiti ozljede i/ili požar.

Namjena

Alat je namijenjen za bušenje i pričvršćivanje vijcima u drvu, metalu i plastici.

Buka

Tipična jačina buke označena s A, određena sukladno EN62841-2-1:

Model DF333D

Razina tlaka zvuka (L_{pA}): 70 dB (A) ili manje
Neodređenost (K): 3 dB (A)

Razina buke u radu može prelaziti 80 dB (A).

Model DF033D

Razina tlaka zvuka (L_{pA}): 70 dB (A) ili manje
Neodređenost (K): 3 dB (A)

Razina buke u radu može prelaziti 80 dB (A).

NAPOMENA: Deklarirana vrijednost emisije buke izmjerena je prema standardnoj metodi testiranja i može se rabiti za usporedbu jednog alata s drugim.

NAPOMENA: Deklarirana vrijednost emisije buke također se može rabiti za preliminarnu procjenu izloženosti.

⚠ UPOZORENJE: Nosite zaštitu za uši.

⚠ UPOZORENJE: Emisija buke tijekom stvarnog korištenja električnog ručnog alata se može razlikovati od deklariranih vrijednosti emisije, ovisno o načinu na koji se alat rabi, posebice ovisno o tome kakav se izradak izrađuje.

⚠ UPOZORENJE: Nemojte zaboraviti da identifikirate sigurnosne mjere zaštite rukovatelja koje se temelje na procjeni izloženosti u stvarnim uvjetima korištenja (uzimajući u obzir sve dijelove radnog ciklusa, poput vremena kada je alat isključen i kada on radi u praznom hodu, a također i vrijeme okidanja).

Vibracija

Ukupna vrijednost vibracija (troosni vektorski zbir) izračunata u skladu s EN62841-2-1:

Model DF333D

Način rada: bušenje metala
Emisija vibracija ($a_{h,D}$): 2,5 m/s² ili manje
Neodređenost (K): 1,5 m/s²

Model DF033D

Način rada: bušenje metala
Emisija vibracija ($a_{h,D}$): 2,5 m/s² ili manje
Neodređenost (K): 1,5 m/s²

NAPOMENA: Deklarirana vrijednost ukupnih vibracija izmjerena je prema standardnoj metodi testiranja i može se rabiti za usporedbu jednog alata s drugim.

NAPOMENA: Deklarirana vrijednost ukupnih vibracija također se može rabiti za preliminarnu procjenu izloženosti.

⚠ UPOZORENJE: Emisija vibracija tijekom stvarnog korištenja električnog ručnog alata se može razlikovati od deklariranih vrijednosti emisije, ovisno o načinu na koji se alat rabi, posebice ovisno o tome kakav se izradak izrađuje.

⚠ UPOZORENJE: Nemojte zaboraviti da identifikirate sigurnosne mjere zaštite rukovatelja koje se temelje na procjeni izloženosti u stvarnim uvjetima korištenja (uzimajući u obzir sve dijelove radnog ciklusa, poput vremena kada je alat isključen i kada on radi u praznom hodu, a također i vrijeme okidanja).

Izjava o sukladnosti EZ

Samo za države članice Europske unije

Izjava o sukladnosti EZ u privitku je Priloga A ovih uputa za upotrebu.

SIGURNOSNA UPOZORENJA

Opća sigurnosna upozorenja za električne ručne alate

⚠ UPOZORENJE: Pročitajte sva sigurnosna upozorenja, upute, ilustracije i specifikacije priložene uz ovaj električni ručni alat. Nepridržavanje svih uputa navedenih u nastavku može rezultirati strujnim udarom, požarom i/ili ozbiljnim ozljedama.

Sačuvajte sva upozorenja i upute radi kasnijeg korištenja.

Pojam „električni alat“ u upozorenjima odnosi se na električni (kabelski) alat uključen u struju ili na bežične električne alate (na baterije).

Sigurnosna upozorenja za bežičnu udarnu bušilicu

Sigurnosne upute za sve radnje

1. **Držite električni alat za izolirane rukohvatne površine kad izvodite radnju pri kojoj rezni dodatak ili pričvršćivači mogu doći u dodir sa skrivenim vodičima.** Rezni dodatak ili pričvršćivači koji dođu u dodir s vodičem pod naponom mogu dovesti pod napon izložene metalne dijelove električnog alata i mogu prouzročiti strujni udar kod rukovatelja.
2. **Uvijek stojte na čvrstom uporištu. Pazite da nitko ne stoji ispod vas kad koristite uređaj na visini.**

3. **Čvrsto držite alat.**
4. **Držite ruke podalje od dijelova koji se okreću.**
5. **Ne ostavljajte alat da radi. Alatom radite isključivo držeći ga u ruci.**
6. **Ne dodirujte nastavak bušilice odmah nakon rada; može biti izuzetno vruć i mogao bi vam opeći kožu.**
7. **Neki materijal sadrži kemikalije koje mogu biti toksične. Poduzmite potrebne mjere opreza da biste spriječili udisanje prašine i dodir s kožom. Pročitajte sigurnosno-tehnički list dobavljača materijala.**
8. **Ako nastavak za bušenje ne možete otpustiti čak ni kad otvorite čeljust, izvucite ga kljешtima. U tom slučaju, izvlačenje nastavka za bušenje rukom može rezultirati ozljedama zbog oštrog ruba.**

Sigurnosne upute pri upotrebi dugačkih nastavaka za bušenje

1. **Ne upravljajte nastavcima za bušenje pri brzini koja je veća od maksimalne brzine rada.** Ako se može slobodno okretati bez kontakta s izratkom, nastavak se pri većim brzinama može saviti, što će rezultirati ozljedama.
2. **Uvijek počnite bušiti na manjoj brzini tako da je vrh nastavka u kontaktu s izratkom.** Ako se može slobodno okretati bez kontakta s izratkom, nastavak se pri većim brzinama može saviti, što će rezultirati ozljedama.
3. **Primijenite pritisak samo na putanji nastavka i nemojte primjenjivati dodatni pritisak.** Nastavci se mogu saviti, što može dovesti do pucanja ili gubitka kontrole i rezultirati ozljedama.

ČUVAJTE OVE UPUTE.

⚠ UPOZORENJE: NEMOJTE dozvoliti da udobnost ili znanje o proizvodu (stečeno stalnim korištenjem) zamijene strogo pridržavanje sigurnosnih propisa za određeni proizvod. ZLOUPORABA ili nepridržavanje sigurnosnih propisa navedenih u ovom priručniku s uputama mogu prouzročiti ozbiljne ozljede.

Važne sigurnosne upute za bateriju

1. **Prije uporabe baterije pročitajte sve upute i oznake upozorenja na (1) punjaču za baterije, (2) bateriji i (3) proizvodu koji koristi bateriju.**
2. **Ne rastavljajte bateriju.**
3. **Ako se vrijeme rada znatno skratilo, odmah prestanite raditi. Može doći do pregrijavanja, mogućih opekliha pa čak i eksplozije.**
4. **Ako vam elektrolit dospje u oči, isperite ih čistom vodom i odmah se obratite liječniku. Tako možete izgubiti vid.**
5. **Nemojte kratko spojati bateriju:**
 - (1) **Ne dovodite terminale u kontakt s provodljivim materijalima.**
 - (2) **Ne čuvajte bateriju u spremniku s drugim metalnim predmetima poput čavala, kovanica itd.**
 - (3) **Ne izlažite bateriju vodi ili kiši.**

Kratki spoj baterije može uzrokovati velik protok struje, pregrijavanje, moguće opekline pa čak i kvar.

6. Ne držite alat i bateriju na mjestima gdje temperatura može premašiti 50 °C.
7. Ne spaljujte bateriju čak ni ako je ozbiljno oštećena ili potpuno istrošena. Baterija može eksplodirati u vatri.
8. Pazite da vam baterija ne ispadne ili da je ne udarite.
9. Ne koristite oštećene baterije.
10. Sadržane litij-ionske baterije podliježu odredbama zakonskih propisa o opasnim tvarima. Kada se radi o komercijalnom transportu koji obavljaju npr. dobavljači ili špediteri, moraju se poštovati posebni zahtjevi na pakiranju i oznakama. Prilikom pripreme isporuke takve stavke potražite savjet stručnjaka za opasne tvari. Pogledajte i moguće podrobnije nacionalne propise. Prekrijte trakom ili zaštitite otvorene kontakte i bateriju zapakirajte tako da se ne može pomicati u pakiranju.
11. Kada odlazete baterijski uložak u otpad, uklonite ga iz alata i zbrinite na sigurnom mjestu. Pridržavajte se lokalnih zakonskih propisa za zbrinjavanje baterija.
12. Upotrebljavajte baterije samo s proizvodima koje je odobrila tvrtka Makita. Umetanje baterija u neprikladne proizvode može dovesti do požara, prekomjerne topline, eksplozije ili curenja elektrolita.
13. Ako se alat ne upotrebljava dulje vrijeme, bateriju morate ukloniti iz alata.

ČUVAJTE OVE UPUTE.

▲OPREZ: Uvijek upotrebljavajte originalne baterije Makita. Upotreba baterija koje nisu originalne baterije Makita ili su izmijenjene može dovesti do rasprskavanja baterije i uzrokovati požar, tjelesnu ozljedu ili štetu. To će također poništiti jamstvo tvrtke Makita za alat i punjač Makita.

Savjeti za održavanje najduljeg vijeka trajanja baterije

1. Napunite bateriju prije nego što se potpuno isprazni. Uvijek zaustavite alat i napunite bateriju kad primijetite da alat slabije radi.
2. Nikad ne punite već do kraja napunjenu bateriju. Pretjerano punjenje skraćuje radni vijek baterije.
3. Bateriju punite na sobnoj temperaturi između 10 °C i 40 °C. Vruću bateriju prije punjenja ostavite da se ohladi.

FUNKCIONALNI OPIS

▲OPREZ: Prije podešavanja ili provjere rada alata obavezno provjerite je li stroj isključen i baterija uklonjena.

Umetanje ili uklanjanje baterije

▲OPREZ: Uvijek isključite alat prije umetanja ili uklanjanja baterije.

▲OPREZ: Čvrsto držite alat i bateriju pri umetanju ili uklanjanju baterije. Ako alat i bateriju ne držite čvrsto, mogli bi vam isključiti iz ruku te oštetiti alat i bateriju ili uzrokovati osobnu ozljedu.

► **Sl.1:** 1. Crveni indikator 2. Gumb 3. Baterija

Za uklanjanje bateriju gurnite van iz alata pritiskom gumba na prednjoj strani uložka.

Za umetanje baterije poravnajte jezičac na bateriji s otvorom u kućištu i gurnite je na mjesto. Umetnite bateriju skroz do kraja dok ne sjedne na svoje mjesto uz mali klik. Ako možete vidjeti crveni indikator na gornjoj strani gumba, baterija nije do kraja sjela na svoje mjesto.

▲OPREZ: Uvijek umetnite bateriju dok kraja tako da ne možete vidjeti crveni indikator. U suprotnom može slučajno ispasti iz alata, što može dovesti do ozljede vas ili nekog u blizini.

▲OPREZ: Ne umećite bateriju silom. Ako baterija ne klizne lagano, znači da nije ispravno umetnuta.

Sustav za zaštitu baterije

Alat je opremljen sustavom za zaštitu baterije. Ovaj sustav automatski prekida napajanje motora da bi produžio vijek trajanja baterije. Alat automatski prestaje raditi ako se alat i / ili baterija nađu u sljedećim uvjetima:

Pod opterećenjem:

Alat pri radu povlači iznimno veliku količinu struje. U tom slučaju isključite alat i prekinite radnje koje su izazvale preopterećenje alata. Zatim uključite alat kako biste ga pokrenuli.

Ako se alat ne pokrene, baterija se pregrijala. U tom slučaju ostavite bateriju da se ohladi prije nego ponovno uključite alat.

Slab napon baterije:

Preostali kapacitet baterije prenizak je i alat neće raditi. Ako uključite alat, motor će se ponovno pokrenuti, ali ubrzo i zaustaviti. U tom slučaju uklonite i napunite bateriju.

Prikaz preostalog kapaciteta baterije

Samo za baterijske uloške s indikatorom

► **Sl.2:** 1. Žaruljice indikatora 2. Gumb za provjeru

Pritisnite gumb za provjeru na bateriji kako biste provjerili preostali kapacitet baterije. Žaruljica indikatora zasvijetli će na nekoliko sekundi.

Žaruljice indikatora		Preostali kapacitet
Svijetli	Isključeno	
■ ■ ■ ■	□	75% do 100%
■ ■ ■ □	□	50% do 75%
■ ■ □ □	□	25% do 50%
■ □ □ □	□	0% do 25%

NAPOMENA: Ovisno o uvjetima upotrebe i temperaturi okoline, prikaz indikatora može se donekle razlikovati od stvarnog kapaciteta.

Uključivanje i isključivanje

► **SI.3:** 1. Uključno/isključna sklopka

▲OPREZ: Prije umetanja baterije u alat provjerite radi li uključno/isključna sklopka i vraća li se u položaj za isključivanje „OFF” nakon otpuštanja.

Za pokretanje alata jednostavno povucite uključno/isključnu sklopku. Brzina alata povećava se povećanjem pritiska na uključno/isključnu sklopku. Za zaustavljanje alata otpustite uključno/isključnu sklopku.

Uključuje se prednja žaruljica

► **SI.4:** 1. Žaruljica


▲OPREZ: Nemojte izravno gledati u svjetlo ili izvor svjetlosti.


Povucite uključno/isključnu sklopku da bi se uključila žaruljica. Žaruljica ostaje uključena dok god se povlači uključno/isključna sklopka. Žaruljica se isključuje otprilike 10 sekundi nakon otpuštanja uključno/isključne sklopke.

NAPOMENA: Suhom krpom obrišite prljavštinu s leće žaruljice. Budite oprezni da ne zagrebete leću žaruljice jer to može smanjiti osvjjetljenje.

Prilagođavanje zateznog momenta

► **SI.7:** 1. Prsten za prilagodbu 2. Stupnjevanje 3. Strelica

Zatezni moment može se prilagoditi u 21 koraka zakretanjem prstena za prilagođavanje. Poravnajte stupnjeve sa strelicom na kućištu alata. Minimalni je zatezni moment pod brojem 1, a maksimalni na oznaci .

Spojka će skliznuti na različite razine okretnog momenta kada je postavite na brojeve od 1 do 20. Spojka ne radi s oznakom . Prije samog rada zavijte probni vijak u željeni materijal ili uzorak materijala da biste utvrdili koja je razina okretnog momenta potrebna za tu primjenu.

Sljedeća tablica prikazuje okvirni odnos veličini vijaka i stupnjevanja.

Stupnjevanje		1	2	3	4	5	6	7	8	9	10	11	12	13	14	15	16	17	18	19	20	
Strojni vijak		M4								M5								M6				
Vijak za drvo	Meko drvo (npr. borovina)	-								φ3,5 x 22								φ4,1 x 38				
	Tvrdo drvo (npr. lauan)	-								φ3,5 x 22								-				
		-								-								φ4,1 x 38				

Rad prekidača za promjenu smjera

► **SI.5:** 1. Ručica prekidača za promjenu smjera

▲OPREZ: Uvijek provjerite smjer vrtnje prije rada.

▲OPREZ: Koristite prekidač za promjenu smjera tek kad se alat do kraja zaustavi. Promjena smjera vrtnje prije zaustavljanja može oštetiti alat.

▲OPREZ: Kad alat ne radi, uvijek postavite ručicu prekidača za promjenu smjera vrtnje u neutralan položaj.

Ovaj alat ima prekidač za promjenu smjera vrtnje. Otpustite prekidač za promjenu smjera iz strane A za zakretanje u smjeru kazaljke na satu ili iz strane B u smjeru suprotnom kazaljke na satu. Kad je prekidač za promjenu smjera u neutralnom položaju, povlačenje uključno/isključne sklopke nije moguće.

Promjena brzine

► **SI.6:** 1. Ručica za promjenu brzine

▲OPREZ: Uvijek postavite ručicu za promjenu brzine u točan položaj. Ako upotrebljavate alat dok je ručica za promjenu brzine postavljena na pola puta između strana „1” i „2”, alat se može oštetiti.

▲OPREZ: Ne koristite ručicu za promjenu brzine dok alat radi. Alat se može oštetiti.

Položaj ručice za promjenu brzine	Brzina	Okretni moment	Primjenjiva radnja
1	Nisko	Visoko	Rad pod velikim opterećenjem
2	Visoko	Nisko	Rad pod malim opterećenjem

Da biste promijenili brzinu, prvo isključite alat. Odaberite stranu „2” za veliku brzinu ili „1” za malu brzinu, no veliki okretni moment. Ručica za promjenu brzine prije rada mora biti postavljena u točan položaj. Ako se brzina alata značajno smanjuje tijekom rada u položaju „2”, pomaknite ručicu u položaj „1” i ponovite radnju.

MONTAŽA

⚠ OPREZ: Prije izvođenja bilo kakve radnje na alatu obavezno provjerite je li stroj isključen i baterija uklonjena.

Postavljanje ili uklanjanje nastavka za zavrtač/nastavka za bušenje

Za model DF333D (dodatna oprema)

► **SI.8:** 1. Tuljak 2. Zatvori 3. Otvori

Da biste otvorili vilice brzostezne glave, okrenite tuljak u smjeru suprotnom od smjera kazaljke na satu. Stavite nastavak za zavrtač/nastavak za bušenje do kraja u brzosteznu glavu. Da biste zategnuli brzosteznu glavu, okrenite tuljak u smjeru kazaljke na satu. Da biste uklonili nastavak za zavrtač/nastavak za bušenje, okrenite tuljak u smjeru suprotnom od smjera kazaljke na satu.

Postavljanje ili uklanjanje nastavka za zavrtač/nasadnog nastavka

Za model DF033D (dodatna oprema)

► **SI.9**

Koristite samo nastavak za zavrtač/nasadni nastavak koji ima priključnicu kao što je prikazano na slici. Nemojte koristiti nijedan drugi nastavak za zavrtač/nasadni nastavak.

NAPOMENA: Mogu se upotrebljavati skraćena (A=12 mm, B=9 mm) i dulja vrsta (A=17 mm, B=14 mm) nastavka za zavrtač.

Za postavljanje nastavka za zavrtač povucite tuljak u smjeru strelice i umetnite nastavak za zavrtač u tuljak što dalje.

Zatim otpustite tuljak da biste učvrstili nastavak za zavrtač.

► **SI.10:** 1. Nastavak za zavrtač 2. Tuljak

Da biste uklonili nastavak za zavrtač, povucite tuljak u smjeru strelice i izvucite nastavak za zavrtač.

NAPOMENA: Ako nastavak za zavrtač nije dovoljno duboko umetnut u tuljak, tuljak se ne vraća u početni položaj i nastavak za zavrtač neće se moći pričvrstiti. U tom slučaju pokušajte ponovno umetnuti nastavak u skladu s prethodnim uputama.

NAPOMENA: Nakon umetanja nastavka za zavrtač čvrsto ga pritegnite. Ako nastavak izlazi, nemojte ga koristiti.

Postavljanje kuke

⚠ OPREZ: Prilikom postavljanja kuke uvijek čvrsto zategnite vijak. Ako to ne učinite, kuka može pasti s alata i prouzročiti ozljede.

► **SI.11:** 1. Utor 2. Kuka 3. Vijak

Kuka služi da privremeno objesite alat. Može se postaviti s bilo koje strane alata. Da biste postavili kuku, umetnite je u utor na kućištu alata s jedne ili druge strane, a zatim je učvrstite vijkom. Za uklanjanje odvijte vijak i izvadite ga.

Postavljanje držača nastavka za zavrtač

Dodatni pribor

► **SI.12:** 1. Držač nastavka za zavrtač 2. Nastavak za zavrtač

Umetnite držač nastavka za zavrtač u izbočenje u podnožju alata na desnoj ili lijevoj strani i učvrstite ga vijkom. Dok ne koristite nastavak za zavrtač, držite ga u držačima nastavaka za zavrtač. Tako se mogu pohraniti nastavci za zavrtač dugi 45 mm.

RAD

⚠ OPREZ: Uvijek umetnite bateriju do kraja tako da sjedne na mjesto. Ako možete vidjeti crveni indikator na gornjoj strani gumba, baterija nije do kraja sjela na svoje mjesto. Umetnite je do kraja tako da crveni indikator više ne bude vidljiv. U protivnom može slučajno ispasti iz alata, što može uzrokovati ozljede vas ili nekog u blizini.

⚠ OPREZ: U slučaju značajnog smanjenja brzine smanjite opterećenje ili zaustavite alat da se ne bi oštetio.

Čvrsto držite alat za rukohvat jednom rukom, a drugom držite donji dio baterije da biste kontrolirali uvijanje.

► **SI.13**

Rad odvijača


⚠ OPREZ: Prilagodite prsten za prilagodbu na odgovarajuću razinu okretnog momenta za rad.

⚠ OPREZ: Nastavak za odvijač mora biti pravilno umetnut u glavu vijka ili može doći do oštećenja vijka i/ili nastavka za zavrtač.

Postavite vršak nastavka za zavrtač u glavu vijka i primijenite pritisak na alat. Pokrenite alat na maloj brzini i postupno je povećavajte. Otpustite uključno/isključnu sklopku čim se spojka usiječe.

NAPOMENA: Kada uvrćete vijak za drvo, unaprijed izbušite pomoćnu rupu veličine 2/3 promjera vijka. Olakšava uvrtnje i sprječava puknuće izratka.

Bušenje

Prvo postavite prsten za prilagodbu tako da vrh strelice pokazuje na oznaku . Potom nastavite kako slijedi.

Bušenje drva

Pri bušenju drva najbolji se rezultati ostvaruju svrdlima za drvo s vodećim vijkom. Vodeći vijak olakšava bušenje gurajući nastavak za bušenje u izradak.

Bušenje metala

Za sprječavanje klizanja nastavka za bušenje pri bušenju rupe napravite urez u središtu rupe za bušenje i udarite u točku u kojoj treba bušiti. Postavite vrh nastavka za bušenje u urez i počnite bušiti. Koristite mazivo za rezanje kad bušite metale. Izuzeci od ovog su željezo i bronca koje treba bušiti suhe.

⚠ OPREZ: Jače pritiskanje alata neće ubrzati bušenje. Štoviše, dodatni će pritisak samo oštetiti vrh vašeg nastavka za bušenje, smanjiti performanse alata i skratiti njegov radni vijek.

⚠ OPREZ: Čvrsto držite alat i obratite posebnu pozornost kad nastavak za bušenje počne prolaziti kroz izradak. Pri bušenju rupe na alat/nastavak za bušenje utječe velika sila.

⚠ OPREZ: Nastavak za bušenje koji se zaglavi lako se može ukloniti postavljanjem prekidača u obrnuti smjer vrtnje da bi ga povukao van. No alat može naglo odskočiti unatrag ako ga ne držite čvrsto.

⚠ OPREZ: Izratke uvijek držite u škripcu ili sličnom uređaju.


⚠ OPREZ: Ako alat kontinuirano radi sve dok se baterija ne isprazni, ostavite alat da odstoji 15 minuta prije nastavka s novom baterijom.

Upotreba alata kao ručnog odvijača

► SI.14

Isključite alat.

Postavite polugu prekidača za obrnuti smjer vrtnje u neutralan položaj.

Okrenite prsten za prilagodbu tako da strelica pokazuje na oznaku .

Okrenite alat.

NAPOMENA: Ovo je prikladno za provjeru uvrtnja vijaka.

NAPOMENA: Nemojte koristiti alat za radove za koje je potrebna prekomjerna sila, kao što je zatezanje svornjaka ili uklanjanje zahrdalih vijaka.

Upotreba futrole

Dodatni pribor

⚠ OPREZ: Kada upotrebljavate futrolu, uklonite nastavak za zavrtač / nastavak za bušenje s alata.

⚠ OPREZ: Isključite alat i pričekajte da se u potpunosti zaustavi prije nego što ga stavite u futrolu.

Pripazite da dobro zatvorite futrolu gumbom da čvrsto drži alat.

1. Uvucite remen ili slično kroz držač futrole.

► SI.15: 1. Držač futrole 2. Remen

2. Umetnite alat u futrolu i zatvorite je gumbom na futrolu.

► SI.16

► SI.17

S prednje strane futrole možete držati dva nastavka za zavrtač.

ODRŽAVANJE

⚠ OPREZ: Prije svih zahvata na stroju provjerite jeste li isključili stroj i uklonili bateriju.

NAPOMENA: Nikada nemojte koristiti benzin, mješavinu benzina, razrjeđivač, alkohol ili slično. Kao rezultat toga može se izgubiti boja, pojaviti deformacija ili pukotine.

Da biste zadržali SIGURNOST I POUZDANOST proizvoda, održavanje ili namještanja trebali biste prepustiti ovlaštenim servisnim ili tvorničkim centrima tvrtke Makita; uvijek rabite originalne rezervne dijelove.

DODATNI PRIBOR

⚠ OPREZ: Ovaj dodatni pribor ili priključci preporučuju se samo za upotrebu s alatom Makita navedenim u ovom priručniku. Upotreba bilo kojeg drugog dodatnog pribora ili priključaka može prouzročiti ozljede. Upotrebljavajte dodatni pribor ili priključak samo za njegovu navedenu svrhu.

Ako vam je potrebna pomoć za više detalja u pogledu ovih dodatnih pribora, obratite se najbližem Makita servisnom centru.

- Nastavci za bušenje
- Nastavci za zavrtač
- Nasadni nastavci
- Držač nastavka za zavrtač
- Futrola
- Plastična torbica
- Kuka
- Izvorna Makita baterija i punjač

NAPOMENA: Neke stavke iz popisa se mogu isporučiti zajedno sa strojem kao standardni dodatni pribori. Oni mogu biti različiti ovisno o zemlji.

СПЕЦИФИКАЦИИ

Модел:		DF333D	DF033D
Капацитет на дупчење	Челик	10 мм	
	Дрво	21 мм	
Капацитет на затегнување	Завртка за дрво	5,1 мм x 63 мм	
	Машинска завртка	M6	
Брзина без оптоварување	Висока (2)	0 - 1.700 мин. ⁻¹	
	Ниска (1)	0 - 450 мин. ⁻¹	
Вкупна должина		179 мм	149 мм
Номинален напон		D.C. 10,8 V - 12 V максимално	
Нето тежина		1,1 - 1,2 кг	0,93 - 1,1 кг

- Поради нашата континуирана програма за истражување и развој, спецификациите тука подлежат на промена без најава.
- Спецификациите може да се разликуваат од држава до држава.
- Тежината може да се разликува во зависност од додаточите, вклучувајќи ја и касетата за батерија. Најлесната и најтешката комбинација, согласно процедурата на ЕПТА 01/2014 (Европската асоцијација за електрични алати), се прикажани во табелата.

Применлива касета за батерија и полнач

Касета за батерија	BL1015 / BL1016 / BL1020B / BL1021B / BL1040B / BL1041B
Полнач	DC10SA / DC10SB / DC10WC / DC10WD / DC18RE

- Некои од касетите за батерии и полначите наведени погоре може да не се достапни зависно од регионот во кој живеете.

▲ ПРЕДУПРЕДУВАЊЕ: Користете ги само касетите за батерии и полначите наведени погоре. Користењето какви било поинакви касети за батерии и полначи може да создаде ризик од повреда и/или пожар.

Наменета употреба

Алатот е наменет за дупчење и завртување завртки во дрво, метал и пластика.

Бучава

Типична А-вредност за ниво на бучавата одредена во согласност со EN62841-2-1:

Модел DF333D

Ниво на звучниот притисок (L_{pA}): 70 dB (A) или помалку
Отстапување (K): 3 dB (A)

Нивото на бучава при работа може да надмине 80 dB (A).

Модел DF033D

Ниво на звучниот притисок (L_{pA}): 70 dB (A) или помалку
Отстапување (K): 3 dB (A)

Нивото на бучава при работа може да надмине 80 dB (A).

НАПОМЕНА: Номиналната вредност(и) за емисија на бучава е измерена во согласност со стандардни методи за испитување и може да се користи за споредување алати.

НАПОМЕНА: Номиналната вредност(и) за емисија на бучава може да се користи и како прелиминарна процена за изложеност.

▲ ПРЕДУПРЕДУВАЊЕ: Носете заштита за ушите.

▲ ПРЕДУПРЕДУВАЊЕ: Емисијата на бучава при фактичкото користење на алатот може да се разликува од номиналната вредност(и), зависно од начинот на којшто се користи алатот, особено од тоа како вид работен материјал се обработува.

▲ ПРЕДУПРЕДУВАЊЕ: Погрижете се да ги утврдите безбедносните мерки за заштита на лицето кое ракува со алатот врз основа на процена на изложеноста при фактичките услови на употреба (земајќи ги предвид сите делови на работниот циклус, како периодите кога електричниот алат е исклучен и кога работи во празен од, не само кога е активен).

Вибрации

Вкупна вредност на вибрациите (векторска сума на три оски) одредена во согласност со EN62841-2-1:

Модел DF333D

Работен режим: дупчење во метал
Ширење вибрации ($a_{h,D}$): 2,5 m/s^2 или помалку
Отстапување (K): 1,5 m/s^2

Модел DF033D

Работен режим: дупчење во метал
Ширење вибрации ($a_{h,b}$): 2,5 m/s^2 или помалку
Отстапување (K): 1,5 m/s^2

НАПОМЕНА: Вкупната вредност(и) на номиналната јачина на вибрациите е измерена во согласност со стандардни методи за испитување и може да се користи за споредување алати.

НАПОМЕНА: Вкупната вредност(и) на номиналната јачина на вибрациите може да се користи и како прелиминарна процена за изложеност.

▲ПРЕДУПРЕДУВАЊЕ: Јачината на вибрациите при фактичкото користење на алатот може да се разликува од номиналната вредност(и), зависно од начинот на којшто се користи алатот, особено од тоа како вид работен материјал се обработува.

▲ПРЕДУПРЕДУВАЊЕ: Погрижете се да ги утврдите безбедносните мерки за заштита на лицето кое ракува со алатот врз основа на процена на изложеноста при фактичките услови на употреба (земајќи ги предвид сите делови на работниот циклус, како периодите кога електричниот алат е исклучен и кога работи во празен од, не само кога е активен).

Декларација за сообразност од ЕУ

Само за земјите во Европа

Декларацијата за сообразност од ЕУ е вклучена во Додаток А од упатствата за корисникот.

БЕЗБЕДНОСНИ ПРЕДУПРЕДУВАЊА

Општи упатства за безбедност за електричните алати

▲ПРЕДУПРЕДУВАЊЕ: Прочитајте ги сите безбедносни предупредувања, упатства, илустрации и спецификации дадени со електричниот алат. Ако не се почитуваат сите упатства наведени подолу, може да дојде до струен удар, пожар и/или сериозни повреди.

Чувајте ги сите предупредувања и упатства за да може повторно да ги прочитате.

Под терминот „електричен алат“ во предупредувањата се мисли на вашиот електричен алат кој работи на струја (со кабел) или на батерии (безжично).

Безбедносни предупредувања за безжична шрафцигер-дупчалка

Безбедносни упатства за сите работи

1. Држете го алатот за изолираните држачи кога вршите работи каде што додатокот за сечење или спојките може да дојдат во допир со скриени жици. Добавокот за сечење или спојките што ќе допрат жица под напон може да ја пренесат струјата до металните делови на алатот и да предизвикаат струен удар кај лицето што ракува со алатот.
2. Бидете сигурни дека секогаш стоите на цврста подлога. Уверете се дека под Вас нема никој кога го користите алатот на високи места.
3. Цврсто држете го алатот.
4. Не допирајте ги вртливите делови.
5. Не оставајте го алатот вклучен. Работете со алатот само кога го држите в раце.
6. Не допирајте ја бургијата од дупчалката или работниот материјал веднаш по работата, може да е многу жешка и да Ви ја изгори кожата.
7. Некои материјали содржат хемикалии што можат да бидат отровни. Избегнувајте вдишување на прашината и избегнувајте контакт на прашината со кожата. Следете ги упатствата од производителот на материјалот.
8. Ако бургијата не може да се олабави дури и ако сте ги отвориле стегите, користете клешти за да ја извадите. Во таков случај, вадењето на бургијата со рака може да резултира со повреда од нејзиниот остар раб.

Безбедносни упатства кога се користат долги бургии за дупчење

1. Не работете со брзина поголема од максималната работна брзина на бургијата за дупчење. На поголеми брзини бургијата веројатно ќе се свитка ако се дозволи да се врти слободно без допирање на работниот материјал, што ќе резултира со телесна повреда.
2. Секогаш започнете со дупчење на мала брзина и со врвот на бургијата во допир со работниот материјал. На поголеми брзини бургијата веројатно ќе се свитка ако се дозволи да се врти слободно без допирање на работниот материјал, што ќе резултира со телесна повреда.
3. Притискајте само во директна линија со бургијата и не притискајте прекумерно. Бургиите може да се скршат или да предизвикаат губење на контролата, што ќе резултира со телесна повреда.

ЧУВАЈТЕ ГО УПАТСТВОТО.

▲ПРЕДУПРЕДУВАЊЕ: НЕ ДОЗВОЛУВАЈТЕ удобноста или познавањето на производот (стекнати со подолга употреба) да ве наведат да не се придржувате строго до безбедносните правила за овој производ. ЗЛОУПОТРЕБАТА или непочитувањето на безбедносните правила наведени во ова упатство може да предизвикаат тешка телесна повреда.

Важни безбедносни упатства за касетата за батеријата

1. Пред користење на касетата за батеријата, прочитајте ги сите упатства и ознаки за претпазливост на (1) полначот за батеријата, (2) батеријата и (3) производителот што ја користи батеријата.
2. Не расклопувајте ја касетата за батеријата.
3. Ако оперативното времето станало прекумерно кратко, престанете веднаш со работа. Тоа може да резултира со ризик од прегревање, можни изгореници, па дури и експлозија.
4. Ако електролит навлезе во вашите очи, измијте ги со чиста вода и побарајте медицинска нега веднаш. Тоа може да резултира со губење на вашиот вид.
5. Не предизвикувајте спој на касетата за батеријата.
 - (1) Не допирајте ги контактите со никаков проводлив материјал.
 - (2) Избегнувајте да ја чувате касетата за батерија во сад со други метални предмети како што се шајки, монети и сл.
 - (3) На изложувајте ја касетата за батеријата на вода или дожд.

Краткиот спој на батеријата може да предизвика голем проток на електрична енергија, прегревање, можни изгореници, па дури и пад на напојувањето.

6. Не складирајте ги алатот и касетата за батеријата на места каде што температурата може да достигне или надминува 50°C.
7. Не палете ја касетата за батеријата дури и кога е многу оштетена или целосно потрошена. Касетата за батеријата може да експлодира ако се стави во оган.
8. Внимавајте да не ја испуштите или удриете батеријата.
9. Не користете оштетена батерија.
10. Содржаните батерии со литиумови јони се подложни на условите во Правилата за опасни предмети. За комерцијален транспорт на пр. од трети лица и посредници, мора да се следат посебните услови на пакувањата или ознаките. При подготовка на предметот кој треба да се испрати, консултирајте се со експерт за опасни материјали. Исто така, следете ги потенцијално подеталните национални правила. Залепете ги со леплива лента или маскирајте ги отворените контакти, а батеријата спакувајте ја, така што нема да се движи слободно во пакувањето.
11. Кога ја фрлате во отпад касетата за батеријата, извадете ја од алатот и фрлете ја на безбедно место. Почитувајте ги локалните законски прописи што се однесуваат на фрлање во отпад на батеријата.
12. Користете ги батериите само со производителите назначени од Makita. Монтирањето батерии на неусогласените производи може да резултира со пожар, прекумерна топлина, експлозија или истекување на електролитот.
13. Доколку алатот не се користи подолг временски период, батеријата мора да се извади од алатот.

ЧУВАЈТЕ ГО УПАТСТВОТО.

⚠ ВНИМАНИЕ: Користете само оригинални батерии на Makita. Користењето неоригинални батерии на Makita или батерии што се изменети може да резултира со распукување на батеријата, предизвикувајќи пожар, телесна повреда и оштетување. Тоа исто така ќе ја поништи гаранцијата на Makita за алатот и полначот на Makita.

Совети за одржување максимален работен век на батеријата

1. Заменете ја касетата за батеријата пред целосно да се испразни. Секогаш запирајте ја работата со алатот и заменете ја касетата за батеријата кога ќе забележите дека алатот дава помала моќност.
2. Никогаш немојте да полните целосно полна касета за батерија. Прекумерното полнење го скратува работниот век на батеријата.
3. Полнете ја касетата за батеријата на собна температура од 10°C - 40°C. Дозволете загреаната касета за батерија да се олади пред да ја ставите на полнење.

ОПИС НА ФУНКЦИИТЕ

⚠ ВНИМАНИЕ: Пред секое нагодување или проверка на алатот, проверувајте дали е исклучен и батеријата е извадена.

Монтирање или отстранување на касетата за батеријата

⚠ ВНИМАНИЕ: Секогаш исклучувајте го алатот пред ставањето или вадењето на касетата за батеријата.

⚠ ВНИМАНИЕ: Држете ги алатот и касетата за батеријата цврсто кога ја монтирате или вадите касетата за батеријата. Ако не ги држите цврсто алатот и касетата за батеријата, тие може да се лизнат од вашите раце и да дојде до нивно оштетување, како и до телесна повреда.

► **Сл.1:** 1. Црвен индикатор 2. Копче 3. Касета за батерија

За да ја извадите касетата за батеријата, повлечете ја од алатот додека го лизгате копчето на предната страна на касетата.

За вметнување на касетата за батеријата, порамнете го јазичето на касетата со жлебот во кукиштето и лизнете го во место. Вметнете ја до крај додека не се блокира во место при што ќе се слушне мало кликување. Ако можете да го видите црвениот индикатор на горната страна од копчето, тоа значи дека не е заклучена целосно во место.

⚠ВНИМАНИЕ: Секогаш монтирајте ја касетата за батеријата целосно додека црвениот индикатор не се изгасне. Во спротивно, може ненадејно да испадне од алатот предизвикувајќи ви повреда вам или на некој друг околу вас.

⚠ВНИМАНИЕ: Немојте да ја монтирате касетата за батеријата на сила. Ако касетата не може да се лизне лесно, тоа значи дека не е поставена правилно.

Систем за заштита на батеријата

Овој алат е опремен со систем за заштита на батеријата. Овој систем автоматски го прекинува напојувањето на моторот за да го продолжи работниот век на батеријата.

Алатот автоматски ќе запре за време на работењето ако алатот и/или батеријата се најдат под еден од следниве услови:

Преоптовареност:

Со алатот се ракува на начин што предизвикува тој да повлекува ненормално висока електрична енергија. Во таква ситуација, исклучете го алатот и запрете со примената која предизвикала негово преоптоварување. Потоа, повторно вклучете го алатот. Ако алатот не се вклучи, батеријата е прегреана. Во оваа ситуација, оставете ја батеријата да се излади пред повторно да го вклучите алатот.

Низок напон на батеријата:

Преостанатиот капацитет на батеријата е премал и алатот не може да работи. Ако го вклучите алатот, моторот работи уште малку, но набрзо запира. Во оваа ситуација, извадете ја и наполнете ја батеријата.

Укажување на преостанатиот капацитет на батеријата

Само за батерии со индикатор

► Сл.2: 1. Индикаторски ламбички 2. Копче за проверка

Притиснете го копчето за проверка на касетата за батеријата за укажување на преостанатиот капацитет на батеријата. Индикаторските ламбички светнуваат неколку секунди.

Индикаторски ламбички		Преостанат капацитет
Запалено	Исклучено	
		75% до 100%
		50% до 75%
		25% до 50%
		0% до 25%

НАПОМЕНА: Во зависност од условите на користење и амбиенталната температура, индикацијата може да се разликува во мала мера од реалниот капацитет.

Вклучување

► Сл.3: 1. Прекинувач

⚠ВНИМАНИЕ: Пред да ја ставите батеријата во алатот, проверете го прекинувачот дали функционира правилно и дали се враќа во положбата „OFF“ кога ќе се отпушти.

За вклучување на алатот, едноставно повлечете го прекинувачот за стартување. Брзината на алатот се зголемува со зголемување на притисокот врз прекинувачот. Отпуштете го прекинувачот за да сопрете.

Вклучување на предната ламба

► Сл.4: 1. Ламба

⚠ВНИМАНИЕ: Не гледајте директно во светлината или во изворот на светлина.

Повлечете го прекинувачот за вклучување на ламбата. Ламбата продолжува да свети додека прекинувачот е повлечен. Ламбата ќе се исклучи приближно 10 секунди по отпуштањето на прекинувачот.

НАПОМЕНА: Користете сува крпа за да ја избришете нечистотијата од леќата на ламбата. Внимавајте да не ја изгребете леќата на ламбата затоа што тоа може да го намали осветлувањето.

Прекинувач за обратна акција

► Сл.5: 1. Рачка на прекинувачот за обратна акција

⚠ВНИМАНИЕ: Секогаш проверувајте ја насоката на ротација пред работата.

⚠ВНИМАНИЕ: Користете го прекинувачот за обратна акција само откако алатот целосно ќе запре. Променувањето на насоката на ротација пред алатот целосно да застане може да го оштети алатот.

⚠ВНИМАНИЕ: Кога не работите со алатот, секогаш поставувајте го прекинувачот за обратна акција во неутрална положба.

Овој алат има прекинувач за обратна акција за променување на насоката на ротација. Отпуштете го прекинувачот за обратна акција од страна А за ротација во насока на стрелките на часовникот или од страна В за ротација во насока спротивна од стрелките на часовникот. Кога рачката на прекинувачот за обратна акција е во неутрална положба, прекинувачот за вклучување не може да се повлече.

Промена на брзина

► Сл.6: 1. Рачка за промена на брзина

⚠ВНИМАНИЕ: Секогаш поставувајте го лизгачот за промена на брзината целосно во соодветната положба. Ако ракувате со алатот со лизгачот за промена на брзината поставен во меѓуположба помеѓу страна „1“ и страна „2“, алатот може да се оштети.


⚠ВНИМАНИЕ: Не користете го лизгачот за промена на брзината додека алатот работи. Алатот може да се оштети.


Положба на рачката за прилагодување на брзината	Брзина	Вртежен момент	Соодветна работа
1	Ниско	Високо	Работа на тешко оптоварување
2	Високо	Ниско	Работа на лесно оптоварување

За да ја промените брзината, прво исклучете го алатот. Изберете ја страната „2“ за висока брзина или „1“ за ниска брзина, но со висок вртежен момент. Осигурете се дека лизгачот за промена на брзината е во правилна положба пред работата. Ако брзината на алатот нагло опаѓа за време на работа со „2“, свртете ја рачката на „1“ и рестартирајте ја операцијата.

Нагодување на вртежниот момент

- **Сл.7:** 1. Прстен за нагодување 2. Градација
3. Стрелка

Вртежниот момент на затегнување може да се постави на 21 ниво со свртување на прстенот за нагодување. Порамнете ги градациите со стрелката на телото од алатот. На 1 се добива минимален, а на ознаката  максимален вртежен момент на затегнување.

Спојницата ќе паѓа на разни вртежни моменти кога е поставена на број од 1 до 20. Кога ќе се постави на ознаката , квачилото не работи.

Пред да работите, ставете пробен шраф во вашиот материјал или парче дупликат материјал за да определите кој вртежен момент одговара за која примена.

На следниов приказ е покажан груб водич за соодносот помеѓу големината на завртката и градацијата.

Градација		1	2	3	4	5	6	7	8	9	10	11	12	13	14	15	16	17	18	19	20	
Машинска завртка		M4								M5						M6						
Завртка за дрво	Меко дрво (на пр. бор)	-					-						φ3,5 x 22				φ4,1 x 38					
	Цврсто дрво (на пр. шперплоча)	-					-						φ3,5 x 22				φ4,1 x 38					

СОСТАВУВАЊЕ

⚠ ВНИМАНИЕ: Пред секое дотерување или проверка на алатот, секогаш проверувајте дали е исклучен и батеријата е извадена.

Монтирање или отстранување на бургијата за одвртување/дупчење

За моделот DF333D (опционален додаток)

- **Сл.8:** 1. Ракав 2. Затвори 3. Отвори

Свртете го ракавот налево за да ги отворите стегите на главата. Поставете ја бургијата за одвртување/дупчење во клинот колку што може да оди. Свртете го ракавот во насока на стрелките на часовникот за да ја стегнете главата. За да ја извадите бургијата за одвртување/дупчење, свртете го ракавот во насока спротивна на стрелките на часовникот.

Монтирање или отстранување на бургијата за одвртување/приклучокот за бургијата

За моделот DF033D (опционален додаток)

- **Сл.9**

Користете само бургија за одвртување/приклучок за бургијата што има дел за вметнување како што е прикажано на сликата. Не користете никаква друга бургија за одвртување/приклучок за бургијата.

НАПОМЕНА: Може да се користат и поплиток тип (A=12 мм, B=9 мм) и подлабок тип (A=17 мм, B=14 мм) бургии за одвртување.

За да ја поставите бургијата за одвртување, повлечете го ракавот во насока на стрелката и ставете ја бургијата за одвртување во ракавот колку што може да влезе.

Потоа отпуштете го ракавот за да ја зацврстите бургијата за одвртување.

- **Сл.10:** 1. Бургија за одвртување 2. Ракав

За отстранување на бургијата за одвртување, повлечете го ракавот во насока на стрелката и извлечете ја бургијата за одвртување нанадвор.

НАПОМЕНА: Ако бургијата за одвртување не е вметната доволно длабоко во ракавот, ракавот нема да се врати во својата почетна положба и бургијата за одвртување нема да биде прицврстена. Во таков случај, обидете се повторно да ја поставите бургијата според упатствата дадени погоре.

НАПОМЕНА: По поставување на бургијата за одвртување, проверете дали е зацврстена. Ако излегува, не користете ја.

Монтирање на куката

ВНИМАНИЕ: Кога ја монтирате куката, секогаш цврсто затегнете ја со шрафот. Ако не е затегната, куката може да испадне од алатот и да предизвика телесна повреда.

► **Сл.11:** 1. Жлеб 2. Кука 3. Завртка

Куката е практична за привремено закачување на алатот. Може да се монтира од двете страни на алатот. За да ја поставите куката, вметнете ја во жлебот на кукиштето на алатот од која било страна и потоа зацврстете ја со завртка. За да ја отстраните, ослабете ја завртката и извадете ја.

Монтирање држач за бургија за одвртување

Опционален прибор

► **Сл.12:** 1. Држач за бургија за одвртување
2. Бургија за одвртување

Поставете го држачот за бургии за одвртување во испакнатиот дел на долниот дел од алатот на левата или десната страна и зацврстете го со завртката. Кога не ја користите бургијата за одвртување, чувајте ја во држачот за бургии за одвртување. Овде може да се чуваат бургии за одвртување долги 45 мм.

РАБОТЕЊЕ

ВНИМАНИЕ: Секогаш вметнувајте ја касетата со батерии до крај додека не се блокира во место. Ако можете да го видите црвениот индикатор на горната страна од копчето, тоа значи дека не е целосно блокирана во место. Вметнете ја целосно додека не се прекрие црвениот индикатор. Во спротивно, може ненадејно да испадне од алатот предизвикувајќи ви повреда вам или на некој друг околу вас.

ВНИМАНИЕ: Кога брзината нагло ќе опадне, намалете ја оптовареноста или запрете го алатот за да избегнете негово оштетување.

Држете го алатот цврсто со една рака за дршката и другата рака на долниот дел од батеријата за контролирање на вртливото дејство.

► **Сл.13**

Одвртување/завртување

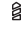
ВНИМАНИЕ: Поставете го прстенот за нагодување на соодветното ниво на вртежен момент за вашата работа.

ВНИМАНИЕ: Осигурете се дека бургијата за одвртување е вметната правилно во главата за одвртување/завртување, во спротивно завртката и/или бургијата за одвртување може да се оштетат.

Поставете го врвот на бургијата за одвртување во главата на завртката и применете притисок врз алатот. Полека стартирајте го алатот и постепено зголемувајте ја брзината. Отпуштете го прекинувачот за стартување штом завртката навлезе во материјалот.

НАПОМЕНА: Кога завртувате завртка за дрво, претходно дупнете почетна дупка со дијаметар 2/3 од оној на завртката. Тоа ќе го олесни завртувањето и ќе спречи пукање на работниот материјал.

Дупчење

Прво, свртете го прстенот за нагодување, така што стрелката ќе покажува кон ознаката . Потоа, продолжете на следниот начин.

Дупчење во дрво

Кога дупчите во дрво, најдобрите резултати се добиваат со бургии за дрво опремени со водилка. Водилката го олеснува дупчењето со тоа што ја вовлекува бургијата за дупчење во работниот материјал.

Дупчење во метал

За да спречите лизгање на бургијата за дупчење кога започнувате со дупка, направете вдлабнување со шило и чекан на местото каде што сакате да дупчите. Поставете го врвот од бургијата за дупчење во продупченото место и започнете со дупчење. Кога дупчите во метал, користете средство за подмачкување при сечење. Исклучок од тоа се железно и месинг кои треба да се дупчат на суво.

ВНИМАНИЕ: Притискањето силно врз алатот нема да го забрза дупчењето. Всушност, овој прекумерен притисок само ќе го оштети врвот на бургијата за дупчење, ќе ги намали перформансите на алатот и ќе го скрати неговиот работен век.

ВНИМАНИЕ: Цврсто држете го алатот и внимателно напредувајте кога бургијата за дупчење почнува да навлегува во материјалот. Доаѓа до јака сила која делува врз алатот/бургијата за дупчење при дупнувањето на дупката.


ВНИМАНИЕ: Заглавената бургија за дупчење може лесно да се извади со поставување на прекинувачот за обратна акција на обратна ротација за да се повлече назад. Сепак, алатот може да отскокне наназад нагло ако не го држите доволно цврсто.

ВНИМАНИЕ: Секогаш прицврстувајте ги работните материјали на менгема или сличен уред за прицврстување.

ВНИМАНИЕ: Ако алатот работи континуирано додека батеријата не се испразни, оставете го да се одмори 15 минути пред да продолжите со свежа батерија.

Исклучете на алатот како рачен шрафцигер

► Сл.14

Исклучете го алатот.
Поместете ја рачката на прекинувачот за обратна акција во неутрална положба.
Свртете го прстенот за нагодување, така што стрелката на телото од алатот покажува кон ознаката .
Вклучете го алатот.

НАПОМЕНА: Оваа употреба е погодна за проверка на завртувањето.

НАПОМЕНА: Не користете го алатот за работи кои бараат голема сила, како на пример, завртка за прицврстување или за'ргани шрафови.

Користење футрола

Опционален прибор

⚠ВНИМАНИЕ: Кога користите футрола, отстранете ја бургијата за одвртување/ дупчење од алатот.

⚠ВНИМАНИЕ: Исклучете го алатот и почекајте додека не запре целосно пред да го поставите во футролата.
Цврсто затворете ја футролата со копчето на футролата за цврсто да го држи алатот.

1. Вметнете ремен или нешто слично низ држачот на футролата.

► Сл.15: 1. Држач на футрола 2. Ремен

2. Поставете го алатот во футролата и заклучете го со копчето на футролата.

► Сл.16

► Сл.17

Во предниот дел од футролата може да чувате две бургии за одвртување.

ОДРЖУВАЊЕ

⚠ВНИМАНИЕ: Пред секоја проверка или одржување, секогаш проверувајте дали алатот е исклучен и касетата за батеријата е извадена.

ЗАБЕЛЕШКА: За чистење, не користете нафта, бензин, разредувач, алкохол или слично. Тие средства ја вадат бојата и може да предизвикаат деформации или пукнатини.

За да се одржи БЕЗБЕДНОСТА и СИГУРНОСТА на производот, поправките, одржувањата или дотерувањата треба да се вршат во овластени сервисни или фабрички центри на Makita, секогаш со резервни делови од Makita.

ОПЦИОНАЛЕН ПРИБОР

⚠ВНИМАНИЕ: Овој прибор или додатоци се препорачуваат за користење со алатот од Makita дефиниран во упатството. Со користење друг прибор или додатоци може да се изложите на ризик од телесни повреди. Користете ги приборот и додатоците само за нивната назначена намена.

Ако ви треба помош за повеќе детали за приборот, прашајте во локалниот сервисен центар на Makita.

- Бургии за дупчење
- Бургии за одвртување
- Приклучни бургии
- Држач за бургија за одвртување
- Футрола
- Пластичен куфер за носење
- Кука
- Оригинална батерија и полнач на Makita

НАПОМЕНА: Некои ставки на листата може да се вклучени со алатот како стандарден прибор. Тие може да се разликуваат од држава до држава.

ТЕХНИЧКИ ПОДАЦИ

Модел:	DF333D	DF033D
Капацитет бушења	Челик	10 мм
	Дрво	21 мм
Капацитет затезања	Завртањ за дрво	5,1 мм x 63 мм
	Машински завртањ	M6
Брзина без оптерећења	Велика (2)	0 – 1.700 мин ⁻¹
	Мала (1)	0 – 450 мин ⁻¹
Укупна дужина	179 мм	149 мм
Номинални напон	DC 10,8 V – 12 V макс.	
Нето тежина	1,1 – 1,2 кг	0,93 – 1,1 кг

- На основу нашег непрестаног истраживања и развоја задржавамо право измена наведених техничких података без претходне најаве.
- Спецификације могу да се разликују у различитим земљама.
- Тежина може да се разликује у зависности од наставака, укључујући и уложак батерије. Најлакша и најтежа комбинација, према процедури ЕПТА 01/2014, приказане су у табели.

Применљив уложак батерије и пуњач

Уложак батерије	BL1015 / BL1016 / BL1020B / BL1021B / BL1040B / BL1041B
Пуњач	DC10SA / DC10SB / DC10WC / DC10WD / DC18RE

- Неки горенаведени улошки батерија и пуњачи можда неће бити доступни у зависности од места становања.

▲УПОЗОРЕЊЕ: Користите само горенаведене улошке батерије и пуњаче. Коришћење других уложака батерије и пуњача може узроковати повреде и/или пожар.

Намена

Алат је намењен за бушење и увртање завртања у дрво, метал и пластику.

Бука

Типичан А-пондерисани ниво буке одређен је према стандарду EN62841-2-1:

Модел DF333D

Ниво звучног притиска (L_{pA}): 70 dB (A) или мање
Несигурност (K): 3 dB (A)

Ниво буке током рада може да премаши 80 dB (A).

Модел DF033D

Ниво звучног притиска (L_{pA}): 70 dB (A) или мање
Несигурност (K): 3 dB (A)

Ниво буке током рада може да премаши 80 dB (A).

НАПОМЕНА: Декларисане вредности емисије буке су измерене према стандардизованом мерном поступку и могу се користити за упоређивање алата.

НАПОМЕНА: Декларисана вредност емисије буке се такође може користити за прелиминарну процену изложености.

▲УПОЗОРЕЊЕ: Носите заштитне слушалице.

▲УПОЗОРЕЊЕ: Емисије буке током стварне примене електричног алата могу се разликовати од декларисане вредности у зависности од начина на који се користи алат, а посебно која врста предмета се обрађује.

▲УПОЗОРЕЊЕ: Уверите се да сте идентификовали безбедносне мере за заштиту руковаоца које су засноване на процени изложености у стварним условима употребе (узимајући у обзир све делове радног циклуса, као што је време рада уређаја, али и време када је алат искључен и када ради у празном ходу).

Вибрације

Укупна вредност вибрација (векторски збир по три осе) одређена је према стандарду EN62841-2-1:

Модел DF333D

Режим рада: бушење метала
Вредност емисије вибрација ($a_{h,D}$): 2,5 m/c² или мања
Несигурност (K): 1,5 m/c²

Модел DF033D

Режим рада: бушење метала
Вредност емисије вибрација ($a_{h,D}$): 2,5 m/c² или мања
Несигурност (K): 1,5 m/c²

НАПОМЕНА: Декларисане укупне вредности вибрација су измерене према стандардизованом мерном поступку и могу се користити за упоређивање алата.

НАПОМЕНА: Декларисане укупне вредности вибрација се такође могу користити за прелиминарну процену изложености.

▲УПОЗОРЕЊЕ: Вредност емисије вибрација током стварне примене електричног алата може се разликовати од декларисане вредности у зависности од начина на који се користи алат, а посебно која врста предмета се обрађује.

▲УПОЗОРЕЊЕ: Уверите се да сте идентификовали безбедносне мере за заштиту руковаоца које су засноване на процени изложености у стварним условима употребе (узимајући у обзир све делове радног циклуса, као што је време рада уређаја, али и време када је алат искључен и када ради у празном ходу).

ЕЗ декларација о усаглашености

Само за европске земље

ЕЗ декларација о усаглашености део је Додатка А у овом приручнику са упутствима.

БЕЗБЕДНОСНА УПОЗОРЕЊА

Општа безбедносна упозорења за електричне алате

▲УПОЗОРЕЊЕ: Прочитајте сва безбедносна упозорења, упутства, илустрације и спецификације које су испоручене уз овај електрични алат. Непоштовање свих доле наведених безбедносних упутстава може изазвати електрични удар, пожар и/или озбиљну повреду.

Сачувајте сва упозорења и упутства за будуће потребе.

Термин „електрични алат“ у упозорењима односи се на електрични алат који се напаја из електричне мреже (каблом) или батерије (без кабла).

Безбедносна упозорења за бежичну бушилицу

Безбедносна упутства за све операције

1. Електрични алат држите за изоловане руковате када обављате радове при којима постоји могућност да резни прибор или причвршћивач додирне скривене водове. Резни прибор или причвршћивачи који додиру струјни вод могу да ставе под напон изложене металне делове електричног алата и изложе руковаоца струјном удару.
2. Побрините се да увек имате чврст ослонац испод ногу. Уверите се да никога нема испод вас ако алат користите на високим местима.

3. Чврсто држите алат.
4. Држите руке даље од ротирајућих делова.
5. Немојте да остављате укључен алат. Алат укључите само када га држите рукама.
6. Бургију или предмет обраде не додирујте одмах после завршетка рада јер може да буде врло врућ и да вас опече.
7. Неки материјали садрже хемикалије које могу да буду отровне. Будите опрезни да не би дошло до удисања прашине или контакта са кожом. Следите безбедносне податке добављача материјала.
8. Ако бургију није могуће олабавити чак и ако сте отворили чељуст, извуците је клештима. Извлачење бургије рукама у оваквим ситуацијама може довести до повреде због њених оштрих ивица.

Безбедносна упутства за коришћење дугих бургија

1. Никада немојте да их користите на већој брзини од максималне наведене брзине бургије. При вишим брзинама наставак може да се савије ако се слободно окреће без додиривања предмета обраде, што може да доведе до повреде.
2. Обавезно почните да бушите при нижој брзини и тако да врх наставка додирује предмет обраде. При вишим брзинама наставак може да се савије ако се слободно окреће без додиривања предмета обраде, што може да доведе до повреде.
3. Примените притисак само у директној линији са наставком и немојте да примењујете прекомерни притисак. Наставци могу да се савију и тиме доведу до прелома или губитка контроле, што може да изазове повреде.

САЧУВАЈТЕ ОВО УПУТСТВО.

▲УПОЗОРЕЊЕ: НЕМОЈТЕ себи да дозволите да занемарите строга безбедносна правила која се односе на овај производ услед чињенице да сте производ добро упознали и стекли рутину у руковању њиме (услед честог коришћења). НЕНАМЕНСКА УПОТРЕБА или непоштовање безбедносних правила наведених у овом упутству могу довести до тешких телесних повреда.

Важна безбедносна упутства која се односе на уложак батерије

1. Пре употребе уложка батерије, прочитајте сва упутства и безбедносне ознаке на (1) пуњачу батерије, (2) батерији и (3) производу који користи батерију.
2. Немојте да расклатате уложак батерије.
3. Ако се време рада знатно скратило, одмах престаните са коришћењем. То може да доведе до ризика од прегревања, могућих опекотина, па чак и експлозије.
4. Ако електролит доспе у очи, исперите их чистом водом и одмах затражите помоћ лекара. То може да доведе до губитка вида.

5. Немојте да изазивате кратак спој шљошка батерије:
- (1) Немојте додиривати прикључке било којим проводним материјалом.
 - (2) Избегавајте складиштење улошка батерије у кутији са другим металним предметима као што ексери, новчићи итд.
 - (3) Немојте да излажете уложак батерије води или киши.

Кратак спој батерије може да доведе до великог протока струје, прегревања, могућих опекотина, па чак и прегоривања.

6. Немојте да складиштите алат и уложак батерије на местима где температура може да достигне или премаше 50°C (122°F).
7. Немојте да палите уложак батерије чак ни када је озбиљно оштећен или потпуно похабан. Уложак батерије може да експлодира у ватри.
8. Пазите да не испустите и не ударите батерију.
9. Немојте да користите оштећену батерију.
10. Садржане литијум-јонске батерије подлежу Закону о превозу опасних материја. Приликом комерцијалног превоза, нпр. од стране трећих лица и превозника, мора се обратити посебна пажња на специјалне захтеве паковања и обележавања. Приликом припреме материјала за превоз, потребно је саветовати се са стручњаком за опасне материје. Такође обратите пажњу на евентуалне даље националне прописе. Омотајте траком или прекријте отворене контакте и запакујте батерију тако да се не може померати унутар паковања.
11. Када одлажете уложак батерије на отпад, извадите га из алата и одложите на безбедно место. Придржавајте се локалних прописа у вези са одлагањем батерије.
12. Батерије користите само са производима које је навела компанија Makita. Постављање батерије на производе који нису усаглашени може да доведе до пожара, прекомерне теплоте, експлозије или цурења електролита.
13. Ако се алат не користи током дужег периода, батерија мора да се извади из алата.

САЧУВАЈТЕ ОВО УПУТСТВО.

ПАЖЊА: Користите само оригиналне Makita батерије. Коришћење Makita батерија које нису оригиналне или батерија које су измењене може да доведе до пуцања батерије, које може да изазове пожар, телесне повреде или штету. То ће такође поништити гаранцију компаније Makita за Makita алат и пуњач.

Савети за максимално трајање батерије

1. Напуните уложак батерије пре него што се потпуно испразни. Сваки пут прекините рад са алатом и напуните уложак батерије када приметите да је снага алата слабија.
2. Никада немојте да поново пуните потпуно напуњени уложак батерије. Препуњавање скраћује радни век батерије.
3. Пуните уложак батерије на собној температури између 10°C и 40°C (између 50°F и 104°F). Сачекајте да се врући уложак батерије охлади пре пуњења.

ОПИС НАЧИНА ФУНКЦИОНИСАЊА

ПАЖЊА: Пре подешавања или провере функција алата увек проверите да ли је алат искључен и да ли је уложак батерије уклоњен.

Постављање и уклањање улошка батерије

ПАЖЊА: Увек искључите алат пре постављања или уклањања улошка батерије.

ПАЖЊА: Држите чврсто алат и уложак батерије када постављате или уклањате уложак батерије. Ако алат и уложак батерије не будете држали чврсто, могу вам исклизнути из руку, оштетити се при паду и повредити вас.

► **Слика1:** 1. Црвени индикатор 2. Дугме 3. Уложак батерије

Да бисте уклонили уложак батерије, клизањем га извучите из алата док клизањем померате дугме на предњој страни улошка.

Да бисте поставили уложак батерије, поравнајте језичак на њему са жлебом на кућишту и гурните га на место. Гурните га до краја тако да легне на своје место и чује се тихо шкљоцање. Ако можете да уочите црвени индикатор на горњој страни дугмета, то значи да уложак батерије није потпуно закључан.

ПАЖЊА: Увек до краја гурните уложак батерије тако да се црвени индикатор не види. У супротном, он случајно може испасти из алата и повредити вас или неку особу у вашој близини.

ПАЖЊА: Немојте на силу да постављате уложак батерије. Ако уложак не можете лако да гурнете, то значи да га не постављате исправно.

Систем за заштиту батерије

Овај алат је опремљен системом за заштиту батерије. Овај систем аутоматски прекида напајање мотора како би продужио век трајања батерије. Алат ће аутоматски прекинути са радом ако се алат и/или батерија ставе у неко од следећих стања:

Преоптерећење:

Алатом се рукује тако да вуче необичајно велику струју.

У овој ситуацији, искључите алат и престаните са употребом која је довела до преоптерећења алата. Затим укључите алат да бисте га поново покренули. Ако се алат не покрене, батерија је прегрејана. У овом случају, пустите да се батерија охлади пре поновног укључивања алата.

Низак напон батерије:

Преостали капацитет батерије је сувише мали и алат неће да ради. Ако укључите алат, мотор ће се поново покренути, али ће се убрзо зауставити. У том случају уклоните и напуните батерију.

Приказ преосталог капацитета батерије

Само за улошке батерије са индикатором

► **Слика2:** 1. Индикаторске лампице 2. Дугме за проверу

Притисните дугме за проверу на улошку батерије да бисте приказали преостали капацитет батерије. Индикаторске лампице ће се укључити на неколико секунди.

Индикаторске лампице		Преостали капацитет
Светли	Искључено	
■ ■ ■ ■	□	Од 75% до 100%
■ ■ ■ □	□	Од 50% до 75%
■ ■ □ □	□ □	Од 25% до 50%
■ □ □ □	□ □ □ □	Од 0% до 25%

НАПОМЕНА: У зависности од услова коришћења и температуре околине, приказани капацитет може донекле да се разликује од стварног.

Функционисање прекидача

► **Слика3:** 1. Окидач прекидача

ПАЖЊА: Пре постављања улошка батерије у алат увек проверите да ли окидач прекидача ради правилно и да ли се након отпуштања враћа у положај „OFF“ (Искључено).

Да бисте активирали алат, једноставно притисните окидач прекидача. Брзину алата повећавате повећавањем притиска на окидач прекидача. Отпустите окидач прекидача да бисте зауставили алат.

Укључивање предње лампе

► **Слика4:** 1. Лампа

ПАЖЊА: Немојте да гледате у лампу ни директно у извор светлости.

Притисните окидач прекидача да бисте укључили лампу. Лампа ће светлети све док држите притиснут окидач прекидача. Лампа ће се искључити приближно 10 секунди након што отпустите окидач прекидача.

НАПОМЕНА: Сувом крпом обришите прљавштину са сочива лампе. Пазите да не огребете сочиво лампе, јер тако можете смањити осветљеност.

Рад прекидача за окретање

► **Слика5:** 1. Полука прекидача за окретање

ПАЖЊА: Увек проверите смер обртања пре рада.

ПАЖЊА: Користите прекидач за окретање тек након што се алат потпуно заустави.

Промена смера обртања пре заустављања алата може оштетити алат.

ПАЖЊА: Када се алат не користи, увек поставите полуку прекидача за окретање у неутралан положај.

Овај алат има прекидач за окретање који служи за промену смера обртања. Притисните полуку прекидача за окретање са стране А за обртање у смеру кретања казаљке на сату или са стране В за обртање у супротном смеру.

Када се полука прекидача за окретање налази у неутралном положају, није могуће притиснути окидач прекидача.

Промена брзине

► **Слика6:** 1. Полука за мењање брзине

ПАЖЊА: Полуку за мењање брзине увек потпуно поставите у исправан положај. Ако алат користите док је полука за мењање брзине подешена између стране „1“ и „2“, алат се може оштетити.


ПАЖЊА: Немојте да користите полуку за мењање брзине док алат ради. Може доћи до оштећења алата.

Положај полуке за мењање брзине	Брзина	Обртни момент	Применљиве операције
1	Мала	Велики	Рад при великом оптерећењу
2	Велика	Мали	Рад при малом оптерећењу

Да бисте променили брзину, најпре искључите алат. Изаберите положај „2“ за велику брзину или положај „1“ за малу брзину, али велики обртни момент. Обавезно проверите да ли је полука за мењање брзине постављена у правилан положај пре рада. Ако се брзина алата екстремно смањи током рада у положају „2“, пребаците полуку у положај „1“ и поново почните да радите.

Подешавање обртног момента затезања

- **Слика7:** 1. Прстен за подешавање 2. Подеоци
3. Стрелица

Обртни момент затезања може да се подеси у 21 нивоа окретањем прстена за подешавање. Поравнајте подеоке са стрелицом на телу алата. Минимални обртни момент затезања можете да добијете на подеоку 1, а максимални обртни момент са ознаком .

Спојка ће проклизавати на различитим нивоима обртног момента када се постави на бројеве од 1 до 20.

Спојка не ради на ознаци .

Пре употребе, заврните пробни завртањ у жељени материјал или други комад истог материјала да бисте одредили ниво обртног момента који је неопходан за одређену примену.

Табела у наставку у грубим цртама указује на везу између величине завртња и подеока.

Подеоци		1	2	3	4	5	6	7	8	9	10	11	12	13	14	15	16	17	18	19	20	
Машински завртањ		M4							M5							M6						
Завртањ за дрво	Меко дрво (нпр. боровина)	-							φ3,5 x 22							φ4,1 x 38						
	Тврдо дрво (нпр. шперплоча)	-							φ3,5 x 22							-						
									-							φ4,1 x 38						

СКЛАПАЊЕ

⚠ ПАЗИЈА: Пре обављања било каквог посла на алату увек проверите да ли је он искључен и да ли је уложак батерије уклоњен.

Постављање и уклањање уметка за завртање или бургије

За модел DF333D (опциони прибор)

- **Слика8:** 1. Наглавак 2. Затварање 3. Отварање

Окрените наглавак у смеру супротном кретању казаљке на сату да бисте отворили чељусти стезне главе. Поставите уметак за завртање, односно бургију у стезну главу до краја. Окрените наглавак у смеру кретања казаљке на сату да бисте притегнули стезну главу. Да бисте уклонили уметак за завртање, односно бургију, окрените наглавак у смеру супротном кретању казаљке на сату.

Постављање и уклањање уметка за завртање / насадног уметка

За модел DF033D (опциони прибор)

- **Слика9**

Користите само уметке за завртање / насадне уметке који имају врх приказан на слици. Немојте да користите било које друге уметке за завртање / насадне уметке.

НАПОМЕНА: Можете да користите плићи (A=12 мм, B=9 мм) и дубљи тип (A=17 мм, B=14 мм) уметка за завртање.

Да бисте поставили уметак за завртање, повуците наглавак у смеру стрелице и у њега до краја гурните уметак за завртање. Потом отпустите наглавак да бисте стегнули уметак за завртање.

- **Слика10:** 1. Уметак за завртање 2. Наглавак

Да бисте уклонили уметак за завртање, повуците наглавак у смеру стрелице и извучите уметак за завртање.

НАПОМЕНА: Ако уметак за завртање нисте гурнули довољно дубоко у наглавак, наглавак се неће вратити у почетни положај, па уметак за завртање неће бити стегнут. У том случају, покушајте да поново поставите уметак према горњем упутству.

НАПОМЕНА: Након постављања уметка за завртање, проверите да ли је добро стегнут. Ако испада, немојте га користити.

Постављање куке

⚠ ПАЗИЈА: Приликом постављања куке, увек је чврсто затегните помоћу завртња. У супротном кука може да испадне из алата и да изазове телесне повреде.

- **Слика11:** 1. Жлеб 2. Кука 3. Завртањ

Кука је годна за привремено качење алата. Можете је поставити на било коју страну алата. Да бисте поставили куку, убаците је у жлеб на кућишту алата на било којој страни и причврстите је завртњем. Да бисте је уклонили, отпустите завртањ и извучите је.

Постављање држача уметка за завртање

Опциони додатни прибор

- **Слика12:** 1. Држач уметка за завртање 2. Уметак за завртање

Поставите држач уметка за завртање у испупчење на левој или десној страни подножја алата и причврстите га завртњем.

Када не користите уметак за завртање, чувајте га у држачу уметка за завртање. У њему можете чувати уметке за завртање дужине 45 мм.

▲ ПАЗЊА: Увек уметните уложак батерије до краја, тако да легне на своје место. Ако можете да уочите црвени индикатор на горњој страни дугмета, то значи да уложак батерије није потпуно закључан. Убаците га у потпуности тако да се црвени индикатор не може видети. У супротном, он случајно може испасти из алата и повредити вас или неку особу у вашој близини.

▲ ПАЗЊА: Ако брзина драстично опадне, смањите оптерећење или зауставите алат да бисте избегли његово оштећење.

Чврсто држите алат тако што ћете једну руку поставити на ручку, а другу са доње стране улошка батерије како бисте контролисали покрете увртања.

► Слика13

Завртање


▲ ПАЗЊА: Подесите прстен за подешавање на одговарајући ниво обртног момента.

▲ ПАЗЊА: Уверите се да је уметак за завртање постављен вертикално у главу завртња, јер у супротном завртањ и/или уметак за завртање могу да се оштете.

Поставите врх уметка за завртање у главу завртња и притисните алат. Покрените алат лагано, а затим постепено повећавајте брзину. Пустите окидач прекидача чим се спојница активира.

НАПОМЕНА: Када завршете завртањ за дрво, претходно избушите отвор за вођење ширине 2/3 пречника завртња. Тиме ћете олакшати завртање и спречити цепање предмета обраде.

Бушење

Најпре окрените прстен за подешавање тако да стрелица буде усмерена ка ознаци . Потом наставите на следећи начин.

Бушење дрвета

Приликом бушења дрвета, најбољи резултати се постижу бушилицама за дрво опремљеним завртњем за вођење. Завртањ за вођење олакшава бушење увлачењем бургије у предмет обраде.

Бушење метала

Да бисте спречили да бургија склизне на почетку бушења рупе, направите удубљење на месту бушења бушачем и чекићем. Поставите врх бургије у удубљење и започните бушење. Користите мазиво за сечење када бушите метал. Изузетак представљају гвозђе и месинг, које треба бушити на суво.

▲ ПАЗЊА: Прекомерним притискањем алата нећете убрзати бушење. Штавише, прекомерно притискање само оштећује врх бургије, смањује учинак алата и скраћује његов радни век.

▲ ПАЗЊА: Држите алат чврсто и будите пажљиви у тренутку када бургија почне да пробија предмет обраде. У тренутку пробијања рупе, на алат/бургију делује огромна сила.

▲ ПАЗЊА: Заглављена бургија се може једностранно уклонити подешавањем прекидача за окретање на ротацију у супротном смеру ради вађења. Међутим, алат може одскочити нагло ако га не држите чврсто.

▲ ПАЗЊА: Увек причврстите предмете обраде стегом или сличним уређајем за причвршћивање.


▲ ПАЗЊА: Ако се алат користи без престанка док се уложак батерије не испразни, оставите га да се охлади 15 минута пре него што наставите рад са свежеом батеријом.

Коришћење алата као ручног одвијача

► Слика14

Искључите алат.

Поставите полуку прекидача за окретање у неутралан положај.

Окрените прстен за подешавање тако да стрелица буде усмерена ка ознаци .

Укључите алат.

НАПОМЕНА: Оваква употреба је погодна за проверу завртања.

НАПОМЕНА: Немојте да користите алат за рад који захтева претерану снагу, као што је притезање вијака или уклањање зарђалих завртања.

Коришћење футроле

Опциони додатни прибор

▲ ПАЗЊА: Када користите футролу, уклоните уметак за завртање / бургију из алата.

▲ ПАЗЊА: Искључите алат и сачекајте да се потпуно заустави пре него што га сместите у футролу.

Обавезно добро затворите футролу помоћу дугмета, како би алат био добро фиксиран.

1. Провуците каиш или сличан појас кроз држач футроле.

► Слика15: 1. Држач футроле 2. Каиш

2. Ставите алат у футролу и затворите је помоћу дугмета.

► Слика16

► Слика17

У предњем делу футроле можете да чувате два уметка за завртање.

ОДРЖАВАЊЕ

⚠ПАЖЊА: Пре него што почнете с прегледом или одржавањем алата, искључите алат и уклоните уложак батерије.

ОБАВЕШТЕЊЕ: Никад немојте да користите нафту, бензин, разређивач, алкохол и слична средства. Може доћи до губитка боје, деформације или оштећења.

БЕЗБЕДАН и ПОУЗДАН рад алата гарантујемо само ако поправке, свако друго одржавање или подешавање, препустите овлашћеном сервису компаније Makita или фабричком сервису, уз употребу оригиналних резервних делова компаније Makita.

ОПЦИОНИ ПРИБОР

⚠ПАЖЊА: Ова опрема и прибор су предвиђени за употребу са алатом Makita описаним у овом упутству за употребу. Употреба друге опреме и прибора може да доведе до повреда. Користите делове прибора или опрему искључиво за предвиђену намену.

Да бисте добили више детаља у вези са овим прибором, обратите се локалном сервисном центру компаније Makita.

- Бургије
- Умци за завртање
- Насадни умци
- Држач уметка за завртање
- Футрола
- Пластична кутија за ношење
- Кука
- Makita оригинална батерија и пуњач

НАПОМЕНА: Поједине ставке на листи могу бити укључене у садржај паковања алата као стандардна опрема. Оне се могу разликовати од земље до земље.

SPECIFICAȚII

Model:	DF333D	DF033D
Capacități de găurire	Oțel	10 mm
	Lemn	21 mm
Capacități de strângere	Șurub pentru lemn	5,1 mm x 63 mm
	Șurub mecanic	M6
Turație în gol	Înaltă (2)	0 - 1.700 min ⁻¹
	Redusă (1)	0 - 450 min ⁻¹
Lungime totală	179 mm	149 mm
Tensiune nominală	10,8 V - 12 V cc. max	
Greutate netă	1,1 - 1,2 kg	0,93 - 1,1 kg

- Datorită programului nostru continuu de cercetare și dezvoltare, specificațiile pot fi modificate fără o notificare prealabilă.
- Specificațiile pot varia în funcție de țară.
- Greutatea poate diferi în funcție de accesoriu(ii), inclusiv cartușul acumulatorului. În tabel se prezintă combinația cea mai ușoară și cea mai grea, conform Procedurii EPTA 01/2014.

Cartușul acumulatorului și încărcătorul aplicabile

Cartușul acumulatorului	BL1015 / BL1016 / BL1020B / BL1021B / BL1040B / BL1041B
Încărcător	DC10SA / DC10SB / DC10WC / DC10WD / DC18RE

- Este posibil ca unele cartușe ale acumulatorilor și încărcătoare menționate mai sus să nu fie disponibile în funcție de regiunea dvs. de reședință.

⚠️ AVERTIZARE: Utilizați numai cartușele de acumulator și încărcătoarele enumerate mai sus. Utilizarea oricărui altor cartușe de acumulator și încărcătoare poate duce la rănire și/sau incendiu.

Destinația de utilizare

Mașina este destinată găuririi și înșurubării în lemn, metal și plastic.

Zgomot

Nivelul de zgomot normal ponderat A determinat în conformitate cu EN62841-2-1:

Model DF333D

Nivel de presiune acustică (L_{pA}): 70 dB(A) sau mai puțin
Marjă de eroare (K): 3 dB(A)

Nivelul de zgomot în timpul funcționării poate depăși 80 dB (A).

Model DF033D

Nivel de presiune acustică (L_{pA}): 70 dB(A) sau mai puțin
Marjă de eroare (K): 3 dB(A)

Nivelul de zgomot în timpul funcționării poate depăși 80 dB (A).

NOTĂ: Valoarea (valorile) totală(e) a (ale) emisiilor de zgomot declarate a(u) fost măsurată(e) în conformitate cu o metodă de test standard și poate (pot) fi utilizată(e) pentru compararea unei unelte cu alta.

NOTĂ: Valoarea (valorile) totală(e) a (ale) emisiilor de zgomot declarate poate (pot) fi, de asemenea, utilizată(e) într-o evaluare preliminară a expunerii.

⚠️ AVERTIZARE: Purtați echipament de protecție pentru urechi.

⚠️ AVERTIZARE: Emisiile de zgomot în timpul utilizării efective a unelei electrice poate diferi de valoarea (valorile) nivelului declarat, în funcție de modul în care unealta este utilizată, în special ce fel de piesă este prelucrată.

⚠️ AVERTIZARE: Asigurați-vă că identificați măsurile de siguranță pentru a proteja operatorul, acestea fiind bazate pe o estimare a expunerii în condiții reale de utilizare (luând în considerare toate părțile ciclului de operare, precum timpii în care unealta a fost oprită, sau a funcționat în gol, pe lângă timpul de declanșare).

Vibrații

Valoarea totală a vibrațiilor (suma vectorilor tri-axiali) determinată conform EN62841-2-1:

Model DF333D

Mod de lucru: găurirea metalului
Emisie de vibrații ($a_{h,D}$): 2,5 m/s² sau mai puțin
Marjă de eroare (K): 1,5 m/s²

Model DF033D

Mod de lucru: găurirea metalului
Emisie de vibrații ($a_{h,D}$): 2,5 m/s² sau mai puțin
Marjă de eroare (K): 1,5 m/s²

NOTĂ: Valoarea (valorile) totală(e) a (ale) nivelului de vibrații declarat a (au) fost măsurată(e) în conformitate cu o metodă de test standard și poate (pot) fi utilizată(e) pentru compararea unei unelte cu alta.

NOTĂ: Valoarea (valorile) totală(e) a (ale) nivelului de vibrații declarat poate (pot) fi, de asemenea, utilizată(e) într-o evaluare preliminară a expunerii.

⚠️ AVERTIZARE: Nivelul de vibrații în timpul utilizării efective a unelei electrice poate diferi de valoarea (valorile) nivelului declarat, în funcție de modul în care uneltea este utilizată, în special ce fel de piesă este prelucrată.

⚠️ AVERTIZARE: Asigurați-vă că identificați măsurile de siguranță pentru a proteja operatorul, acestea fiind bazate pe o estimare a expunerii în condiții reale de utilizare (luând în considerare toate părțile ciclului de operare, precum timpul în care uneltea a fost oprită, sau a funcționat în gol, pe lângă timpul de declanșare).

Declarație de conformitate CE

Numai pentru țările europene

Declarația de conformitate CE este inclusă ca Anexa A în acest manual de instrucțiuni.

AVERTIZĂRI DE SIGURANȚĂ

Avertismente generale de siguranță pentru mașinile electrice

⚠️ AVERTIZARE: Citiți toate avertismentele privind siguranța, instrucțiunile, ilustrațiile și specificațiile furnizate cu această sculă electrică. Nerespectarea integrală a instrucțiunilor de mai jos poate cauza electrocutări, incendii și/sau vătămări corporale grave.

Păstrați toate avertismentele și instrucțiunile pentru consultări ulterioare.

Termenul „mașină electrică” din avertizări se referă la mașinile dumneavoastră electrice acționate de la rețea (prin cablu) sau cu acumulator (fără cablu).

Avertismente privind siguranța pentru mașina de găurit și înșurubat cu acumulator

Instrucțiuni privind siguranța pentru toate operațiunile

1. **Țineți mașina electrică de suprafețele de prindere izolate atunci când executați o operațiune în timpul căreia accesoriul de tăiere sau dispozitivele de fixare pot intra în contact cu cabluri ascunse.** Accesoriul de tăiere sau dispozitivele de fixare care intră în contact cu un cablu aflat sub tensiune pot pune sub tensiune componentele metalice neizolate ale mașinii electrice și pot supune operatorul la șoc electric.

2. **Păstrați-vă echilibrul.** Asigurați-vă că nu se află nicio persoană dedesubt atunci când folosiți mașina la înălțime.
3. **Țineți bine mașina.**
4. **Nu atingeți piesele în mișcare.**
5. **Nu lăsați mașina în funcțiune.** Folosiți mașina numai când o țineți cu mâinile.
6. **Nu atingeți capul de burghiu sau piesa de lucru imediat după operațiune;** acestea pot fi foarte fierbinți și pot cauza arsuri ale pielii.
7. **Unele materiale conțin substanțe chimice care pot fi toxice.** Aveți grijă să nu inhalați praful și evitați contactul cu pielea. Respectați instrucțiunile de siguranță ale furnizorului.
8. **În cazul în care capul de burghiu nu poate fi slăbit cu toate că deschideți fălcile, utilizați un clește pentru a-l trage afară.** Într-un astfel de caz, tragerea manuală a capului de burghiu poate duce la vătămare din cauza marginii ascuțite a acestuia.

Instrucțiuni privind siguranța atunci când utilizați capete lungi de burghiu

1. **Nu utilizați mașina la o viteză mai mare decât viteza maximă specificată a capului de burghiu.** La viteze mai mari, capul de burghiu se poate îndoi dacă se rotește liber fără să intre în contact cu piesa de prelucrat, provocând accidentări.
2. **Începeți întotdeauna să găuriți la o viteză redusă și ținând vârful capului de burghiu în contact cu piesa de prelucrat.** La viteze mai mari, capul de burghiu se poate îndoi dacă se rotește liber fără să intre în contact cu piesa de prelucrat, provocând accidentări.
3. **Aplicați presiune numai pe direcția capului de burghiu și nu aplicați presiune excesivă.** Capetele se pot îndoi provocând ruperi sau pierderea controlului, ducând la accidentări.

PĂSTRAȚI ACESTE INSTRUCȚIUNI.

⚠️ AVERTIZARE: NU permiteți comodității și familiarizării cu produsul (obținute prin utilizare repetată) să înlocuiască respectarea strictă a normelor de securitate pentru acest produs. FOLOSIREA INCORECTĂ sau nerespectarea normelor de securitate din acest manual de instrucțiuni poate provoca vătămări corporale grave.

Instrucțiuni importante privind siguranța pentru cartușul acumulatorului

1. **Înainte de a folosi cartușul acumulatorului, citiți toate instrucțiunile și atenționările de pe (1) încărcătorul acumulatorului, (2) acumulator și (3) produsul care folosește acumulatorul.**
2. **Nu dezmembrați cartușul acumulatorului.**
3. **Dacă timpul de funcționare s-a redus excesiv, întrerupeți imediat funcționarea.** Aceasta poate prezenta risc de supraîncălzire, posibile arsuri și chiar explozie.

4. Dacă electrolitul pătrunde în ochi, clătiți bine ochii cu apă curată și consultați imediat un medic. Există risc de orbire.

5. Nu scurtcircuitați cartușul acumulatorului:
- (1) Nu atingeți bornele cu niciun material conductor.
 - (2) Evitați depozitarea cartușului acumulatorului la un loc cu alte obiecte metalice cum ar fi cuie, monede etc.
 - (3) Nu expuneți cartușul acumulatorului la apă sau ploaie.

Un scurtcircuit al acumulatorului poate provoca un flux puternic de curent electric, supraîncălzire, posibile arsuri și chiar defectarea mașinii.

6. Nu depozitați mașina și cartușul acumulatorului în spații în care temperatura poate atinge sau depăși 50 °C (122 °F).
7. Nu incinerati cartușul acumulatorului chiar dacă acesta este grav deteriorat sau complet uzat. Cartușul acumulatorului poate exploda în foc.
8. Aveți grijă să nu scăpați sau să loviți acumulatorul.
9. Nu utilizați un acumulator deteriorat.
10. Acumulatorii Li-Ion încorporați se supun cerințelor Legiștăției privind substanțele periculoase.

Pentru transporturi comerciale, efectuate de exemplu de către părți terțe, expeditori, trebuie respectate cerințele speciale de ambalare și etichetare.

Pentru pregătirea articolului care urmează să fie expedit, este necesară consultarea unui expert în materiale periculoase. Vă rugăm să respectați, de asemenea, reglementările naționale, care pot fi mai detaliate.

Izolați sau acoperiți contactele deschise și împachetați acumulatorul în așa fel încât să nu se poată mișca în ambalaj.

11. **Atunci când eliminați la deșeurii cartușul acumulatorului, scoateți-l din mașină și eliminați-l într-un loc sigur. Respectați normele naționale privind eliminarea la deșeurii a acumulatorului.**
12. **Utilizați acumulatoroarele numai cu produsele specificate de Makita. Instalarea acumulatorilor în produse neconforme poate cauza incendii, căldură excesivă, explozii sau scurgeri de electrolit.**
13. **Dacă mașina nu este utilizată o perioadă lungă de timp, acumulatorul trebuie scos din acesta.**

PĂSTRAȚI ACESTE INSTRUCȚIUNI.

ATENȚIE: Folosiți numai acumulatori Makita originali. Acumulatorii Makita care nu sunt originali și acumulatorii care au suferit modificări se pot aprinde, provocând incendii, leziuni corporale și daune. De asemenea, anulează garanția oferită de Makita pentru unealta și încărcătorul Makita.

Sfaturi pentru obținerea unei durate maxime de exploatare a acumulatorului

1. Încărcați cartușul acumulatorului înainte de a se descărca complet. Întrerupeți întotdeauna funcționarea mașinii și încărcați cartușul acumulatorului când observați o scădere a puterii mașinii.
2. Nu reîncărcați niciodată un acumulator complet încărcat. Supraîncărcarea va scurta durata de exploatare a acumulatorului.
3. Încărcați cartușul acumulatorului la temperatura camerei, între 10 °C - 40 °C (50 °F - 104 °F). Lăsați un acumulator fierbinte să se răcească înainte de a-l încărca.

DESCRIEREA FUNCȚIILOR

ATENȚIE: Asigurați-vă întotdeauna că mașina este oprită și cartușul acumulatorului este scos înainte de a ajusta sau verifica funcționarea mașinii.

Instalarea sau scoaterea cartușului acumulatorului

ATENȚIE: Opriti întotdeauna mașina înainte de montarea sau demontarea cartușului de acumulator.

ATENȚIE: Țineți ferm mașina și cartușul acumulatorului la montarea sau demontarea cartușului. În cazul în care nu țineți ferm mașina și cartușul de acumulator, acestea vă pot aluneca din mâini, rezultând defectarea mașinii și cartușului de acumulator, precum și în accidentări personale.

► Fig.1: 1. Indicator roșu 2. Buton 3. Cartușul acumulatorului

Pentru a scoate cartușul acumulatorului, glisați-l din mașină în timp ce glisați butonul de pe partea frontală a cartușului.

Pentru a instala cartușul acumulatorului, aliniați limba de pe cartușul acumulatorului cu canelura din carcasă și introduceți-l în locaș. Introduceți-l complet, până când se înclichează în locaș. Dacă puteți vedea indicatorul roșu din partea superioară a butonului, acesta nu este blocat complet.

ATENȚIE: Instalați întotdeauna cartușul acumulatorului complet, până când indicatorul roșu nu mai este vizibil. În caz contrar, acesta poate cădea accidental din mașină provocând rănirea dumneavoastră sau a persoanelor din jur.

ATENȚIE: Nu forțați cartușul acumulatorului la montare. Dacă acesta nu glisează ușor, înseamnă că a fost introdus incorect.

Sistemul de protecție a acumulatorului

Mașina este prevăzută cu un sistem de protecție a acumulatorului. Sistemul întrerupe automat alimentarea motorului pentru a extinde durata de viață a acumulatorului.

Mașina se va opri automat în timpul funcționării când mașina și/sau acumulatorul se află într-una din situațiile următoare:

Suprasarcină:

Mașina este operată într-o manieră care determină atragerea unui curent de o intensitate anormal de ridicată.

În această situație, opriți mașina și aplicația care a dus la suprasolicitarea mașinii. Apoi reporniți mașina. Dacă mașina nu pornește, acumulatorul este supraîncălzit. În această situație, lăsați acumulatorul să se răcească înainte de a reporni mașina.

Tensiune scăzută acumulator:

Capacitatea rămasă a acumulatorului este prea scăzută, iar mașina nu va funcționa. Dacă porniți mașina, motorul funcționează din nou, dar se oprește imediat. În această situație, scoateți și reîncărcați acumulatorul.

Indicarea capacității rămase a acumulatorului

Numai pentru cartușe de acumulator cu indicator

► Fig.2: 1. Lămpi indicatoare 2. Buton de verificare

Apăsați butonul de verificare de pe cartușul acumulatorului, astfel încât să se indice capacitățile rămase ale acumulatorului. Lămpile indicatorului vor lumina timp de câteva secunde.

Lămpi indicatoare		Capacitate rămasă
Iluminat	Oprit	
■ ■ ■ ■ ■	□	între 75% și 100%
■ ■ ■ □	□	între 50% și 75%
■ ■ □ □	□	între 25% și 50%
■ □ □ □	□	între 0% și 25%

NOTĂ: În funcție de condițiile de utilizare și temperatura ambientală, indicația poate fi ușor diferită de capacitatea reală.

Accionarea întrerupătorului

► Fig.3: 1. Buton declanșator

ATENȚIE: Înainte de a introduce cartușul acumulatorului în mașină, verificați întotdeauna dacă butonul declanșator funcționează corect și revine în poziția „OFF” (oprit) când este eliberat.

Pentru a porni mașina, trageți de butonul declanșator. Viteza mașinii poate fi crescută prin creșterea forței de apăsare pe butonul declanșator. Eliberați butonul declanșator pentru a opri mașina.

Apăsarea lămpii frontale

► Fig.4: 1. Lampă

ATENȚIE: Nu priviți direct în raza sau în sursa de lumină.

Apăsați butonul declanșator pentru a aprinde lampa. Lampa continuă să lumineze atât timp cât butonul declanșator este apăsat. Lampa se stinge după aproximativ 10 secunde de la eliberarea butonului declanșator.

NOTĂ: Folosiți o lavetă uscată pentru a șterge murdăria de pe lentila lămpii. Aveți grijă să nu zgăriați lentila lămpii deoarece, în caz contrar, iluminarea va fi redusă.

Funcția inversorului

► Fig.5: 1. Pârghie de inversor

ATENȚIE: Verificați întotdeauna sensul de rotație înainte de utilizare.

ATENȚIE: Folosiți inversorul numai după ce mașina s-a oprit complet. Schimbarea sensului de rotație înainte de oprirea mașinii poate avaria mașina.

ATENȚIE: Atunci când nu folosiți mașina, deplasați întotdeauna pârghia inversorului în poziția neutră.

Această mașină dispune de un inversor pentru schimbarea sensului de rotație. Apăsați pârghia inversorului în poziția A pentru rotire în sens orar sau în poziția B pentru rotire în sens antiorar. Când pârghia inversorului se află în poziție neutră, butonul declanșator nu poate fi apăsat.

Schimbarea vitezei

► Fig.6: 1. Pârghie de schimbare a vitezei

ATENȚIE: Deplasați întotdeauna complet pârghia de schimbare a vitezei în poziția corectă. Dacă folosiți mașina cu pârghia de schimbare a vitezei poziționată intermediar între poziția „1” și poziția „2”, mașina poate fi avariata.

ATENȚIE: Nu folosiți pârghia de schimbare a vitezei în timpul funcționării mașinii. Mașina poate fi avariata.

Poziția pârghiei de schimbare a vitezei	Viteză	Cuplu	Tip de operare aplicabil
1	Turație joasă	Turație înaltă	Operare la sarcină ridicată
2	Turație înaltă	Turație joasă	Operare la sarcină redusă

Pentru a schimba viteza, opriți mai întâi mașina. Selectați poziția „2” pentru viteză ridicată sau „1” pentru viteză redusă și cuplu ridicat. Asigurați-vă că pârghia de schimbare a vitezei se află în poziția corectă înainte de utilizare. Dacă viteza mașinii scade extrem de mult în timpul utilizării în poziția „2”, glisați maneta în poziția „1” și reluați operația.

Reglare cuplului de strângere

► Fig.7: 1. Inel de reglare 2. Gradație 3. Săgeată

Cuplul de strângere poate fi reglat în 21 trepte prin rotirea inelului de reglare. Aliniați gradațiile cu săgeata de pe corpul mașinii. Puteți obține momentul de strângere minim în poziția 1 și momentul maxim la marcajul 21. Ambreiajul va patina la diferite valori ale cuplului de strângere, dacă este reglat între valorile 1 și 20. Ambreiajul nu funcționează la marcajul 21.

Înainte de folosirea propriu-zisă, înșurubați un șurub de probă în materialul dvs. sau într-o bucată de material identic pentru a determina valoarea cuplului de strângere necesară pentru o anumită utilizare.

În continuare este prezentat un ghid aproximativ al relației dintre dimensiunea șurubului și gradație.

Gradație		1	2	3	4	5	6	7	8	9	10	11	12	13	14	15	16	17	18	19	20							
Șurub mecanic		M4							M5							M6												
Șurub pentru lemn	Lemn moale (de ex., pin)	-							φ3,5 x 22							φ4,1 x 38												
	Lemn dur (de ex., mahon)	-							-							φ3,5 x 22							-					
																φ4,1 x 38												

ASAMBLARE

⚠️ ATENȚIE: Asigurați-vă întotdeauna că mașina este oprită și cartușul acumulatorului este scos înainte de a executa orice lucrări la mașină.

Montarea sau demontarea capului de acționare/capului de burghiu

Pentru modelul DF333D (accesoriu opțional)

► Fig.8: 1. Manșon 2. Închis 3. Deschis

Rotiți manșonul în sens antiorar pentru a deschide fălcile mandrinei. Introduceți capul de acționare/capul de burghiu în mandrină până când se oprește. Rotiți manșonul în sens orar pentru a strânge mandrina. Pentru a scoate capul de acționare/capul de burghiu, rotiți manșonul în sens antiorar.

Montarea sau demontarea capului de acționare/capului de înșurubat hexagonal

Pentru modelul DF033D (accesoriu opțional)

► Fig.9

Utilizați numai capete de acționare/capete de înșurubat hexagonale cu porțiunea de prindere indicată în figură. Nu utilizați alte capete de acționare/capete de înșurubat hexagonale.

NOTĂ: Pot fi folosite capete de acționare atât pentru adâncime mai mică (A=12 mm, B=9 mm), cât și pentru adâncime mai mare (A=17 mm, B=14 mm).

Pentru a instala capul de acționare, trageți manșonul în direcția săgeții și introduceți capul de acționare în manșon până la refus.

Apoi, eliberați manșonul pentru a fixa capul de acționare.

► Fig.10: 1. Cap de acționare 2. Manșon

Pentru a scoate capul de acționare, trageți manșonul în direcția săgeții și trageți afară capul de acționare.

NOTĂ: În cazul în care capul de acționare nu este introdus suficient de adânc în manșon, manșonul nu va reveni în poziția sa inițială și capul de acționare nu va fi fixat. În acest caz, încercați să reintroduceți capul de acționare conform instrucțiunilor de mai sus.

NOTĂ: După introducerea capului de acționare, asigurați-vă că acesta este bine fixat. Dacă iese afară, nu îl utilizați.

Instalarea cârligului

⚠️ ATENȚIE: Când instalați cârligul, strângeți-l întotdeauna ferm cu șurubelnița. În caz contrar, se poate desprinde de mașină și vă poate răni.

► Fig.11: 1. Canelură 2. Cârlig 3. Șurub

Cârligul este util pentru suspendarea temporară a mașinii. Acesta poate fi instalat pe oricare latură a mașinii. Pentru a instala cârligul, introduceți-l într-o canelură din carcasa mașinii de pe oricare latură și fixați-l cu un șurub. Pentru demontare, slăbiți șurubul și apoi scoateți-l.

Instalarea suportului capului de acționare

Accesoriu opțional

► Fig.12: 1. Suport cap de acționare 2. Cap de acționare

Introduceți suportul capului de acționare în proeminența de la baza mașinii, în partea dreaptă sau stângă, și fixați-l cu un șurub.

Atunci când nu folosiți capul de acționare, păstrați-l în suport. Aici pot fi păstrate capete de acționare cu o lungime de 45 mm.

OPERAREA

⚠️ATENȚIE: Introduceți întotdeauna complet cartușul acumulatorului până când se blochează în locaș. Dacă puteți vedea indicatorul roșu din partea superioară a butonului, acesta nu este blocat complet. Introduceți-l complet, până când indicatorul roșu nu mai este vizibil. În caz contrar, acesta poate cădea accidental din mașină provocând rănirea dumneavoastră sau a persoanelor din jur.

⚠️ATENȚIE: Când viteza scade extrem de mult, reduceți sarcina sau opriți mașina, pentru a preveni defectarea acesteia.

Țineți mașina ferm cu o mână de mâner și cu cealaltă mână de partea inferioară a cartușului acumulatorului, pentru a contracara mișcarea de forsiune.

► Fig.13

Înșurubarea


⚠️ATENȚIE: Ajustați inelul de reglare la valoarea corectă a cuplului de strângere pentru lucrarea dvs.

⚠️ATENȚIE: Asigurați-vă că ați introdus drept capul de acționare în capul șurubului, în caz contrar șurubul și/sau capul de acționare se pot/ poate deteriora.

Poziționați vârful capului de acționare în capul șurubului și apăsați pe mașină. Porniți mașina încet și apoi măriți treptat viteza. Eliberați butonul declanșator imediat ce ambreiajul intervine.

NOTĂ: La înfiletarea unui șurub pentru lemn, efectuați în prealabil o gaură pilot cu un diametru de 2/3 din diametrul șurubului. În acest fel, găurirea va fi mai ușoară și se previne despicarea piesei de lucru.

Găurirea

Mai întâi, rotiți inelul de reglare astfel încât săgeata să indice spre marcajul . Apoi, procedați după cum urmează.

Găurirea lemnului

Când găuriți lemn, obțineți cele mai bune rezultate cu burghiile de lemn dotate cu șurub de ghidaj. Șurubul de ghidare ușurează găurirea trăgând capul de burghiu în piesa de prelucrat.

Găurirea metalului

Pentru a preveni alunecarea capului de burghiu atunci când începeți găurirea, realizați o adâncitură cu un dorn și un ciocan în punctul în care se va găuri. Așezați vârful capului de burghiu în adâncitură și începeți găurirea. Folosiți un lubrifiant de tăiere atunci când găuriți metale. Excepție fac fierul și alama, care trebuie găurite pe uscat.

⚠️ATENȚIE: Aplicarea unei forțe excesive asupra mașinii nu va grăbi operațiunea de găurire. De fapt, presiunea excesivă nu va face decât să deterioreze burghiul, reducând performanțele mașinii și durata de viață a acesteia.

⚠️ATENȚIE: Țineți mașina ferm și procedați cu atenție atunci când capul de burghiu trece prin piesa de prelucrat. Asupra mașinii/capului de burghiu este exercitată o forță enormă în momentul în care gaura este străpunsă.


⚠️ATENȚIE: Un cap de burghiu blocat se poate debloca prin simpla setare a inversorului pentru rotația în sens invers, pentru retragere. Totuși, mașina se poate retrage brusc dacă nu o țineți ferm.

⚠️ATENȚIE: Piesele trebuie fixate întotdeauna cu o menghină sau cu un alt dispozitiv similar de fixare.

⚠️ATENȚIE: Dacă mașina este folosită continuu până la descărcarea cartușului acumulatorului, lăsați mașina în repaus timp de 15 minute înainte de a continua cu un acumulator nou.

Folosirea mașinii ca șurubelniță de mână

► Fig.14

Opriti mașina.
Deplasați pârghia inversorului în poziția neutră.
Rotiți inelul de reglare astfel încât săgeata să indice marcajul .
Rotiți mașina.

NOTĂ: Acest tip de utilizare este adecvat pentru verificarea înșurubării.

NOTĂ: Nu folosiți mașina pentru lucrări care necesită o forță excesivă, cum ar fi strângerea unor bolțuri sau scoaterea șuruburilor ruginite.

Utilizarea tocului

Accesorii opționale

⚠️ATENȚIE: La utilizarea tocului, scoateți capul de acționare/capul de burghiu din mașină.

⚠️ATENȚIE: Opriti mașina și așteptați oprirea completă a acesteia înainte a o introduce în toc. Asigurați-vă că închideți tocul cu ajutorul nasturelui, astfel încât mașina să fie fixată ferm în acesta.

1. Treceți o cingătoare sau o curea similară prin urechea tocului.

► Fig.15: 1. Ureche toc 2. Cingătoare

2. Introduceți mașina în toc și blocați-o cu nasturele tocului.

► Fig.16

► Fig.17

Puteți păstra două capete de acționare în partea din față a tocului.

ÎNȚEȚINERE

ATENȚIE: Asigurați-vă întotdeauna că mașina este oprită și cartușul acumulatorului scos înainte de a executa lucrările de inspecție și întreținere.

NOTĂ: Nu utilizați niciodată gazolină, benzină, diluant, alcool sau alte substanțe asemănătoare. În caz contrar, pot rezulta decolorări, deformări sau fisuri.

Pentru a menține SIGURANȚA și FIABILITATEA produsului, reparațiile și orice alte lucrări de întreținere sau reglare trebuie executate de centre de service Makita autorizate sau proprii, folosind întotdeauna piese de schimb Makita.

ACCESORII OPȚIONALE

ATENȚIE: Folosiți accesoriile sau piesele auxiliare recomandate pentru mașina dumneavoastră Makita în acest manual. Utilizarea oricăror alte accesorii sau piese auxiliare poate prezenta risc de vătămare corporală. Utilizați accesorii și piesele auxiliare numai în scopul destinat.

Dacă aveți nevoie de asistență sau de mai multe detalii referitoare la aceste accesorii, adresați-vă centrului local de service Makita.

- Capete de burghiu
- Capete de acționare
- Capete de înșurubat hexagonale
- Suport cap de acționare
- Toc
- Cutie de plastic pentru transport
- Cârlig
- Acumulator și încărcător original Makita

NOTĂ: Unele articole din listă pot fi incluse ca accesorii standard în ambalajul de scule. Acestea pot diferi în funcție de țară.

ТЕХНІЧНІ ХАРАКТЕРИСТИКИ

Модель:		DF333D	DF033D
Величина свердління	Сталь	10 мм	
	Деревина	21 мм	
Величина затягування	Шуруп	5,1 мм x 63 мм	
	Гвинт для металу	M6	
Швидкість без навантаження	Висока (2)	0 — 1 700 хв ⁻¹	
	Низька (1)	0 — 450 хв ⁻¹	
Загальна довжина		179 мм	149 мм
Номінальна напруга		10,8 — 12 В пост. струму	
Маса нетто		1,1 — 1,2 кг	0,93 — 1,1 кг

- Оскільки наша програма наукових досліджень і розробок триває безперервно, наведені тут технічні характеристики можуть бути змінені без попередження.
- У різних країнах технічні характеристики можуть бути різними.
- Вага може відрізнятися залежно від допоміжного обладнання, наприклад касети з акумулятором. Найлегші та найважчі комплекти, відповідно до стандарту ЕРТА (Європейська асоціація виробників електроінструменту) від січня 01/2014 року, представлено в таблиці.

Застосовна касета з акумулятором і зарядний пристрій

Касета з акумулятором	BL 1015 / BL 1016 / BL 1020B / BL 1021B / BL 1040B / BL 1041B
Зарядний пристрій	DC10SA / DC10SB / DC10WC / DC10WD / DC18RE

- Деякі касети з акумулятором і зарядні пристрої, які вказано вище, можуть бути недоступними залежно від вашого регіону або місця перебування.

⚠ ПОПЕРЕДЖЕННЯ: Використовуйте лише касети з акумулятором і зарядні пристрої, перелічені вище. Використання будь-яких інших касет з акумулятором і зарядних пристроїв може призвести до травмування й/або пожежі.

Призначення

Інструмент призначено для свердління та вкручування гвинтів у деревину, метал та пластмасу.

Шум

Рівень шуму за шкалою А в типовому виконанні, визначений відповідно до стандарту EN62841-2-1:

Модель DF333D

Рівень звукового тиску (L_{pA}): 70 дБ (А) чи менше
Похибка (К): 3 дБ (А)

Рівень шуму під час роботи може перевищувати 80 дБ (А).

Модель DF033D

Рівень звукового тиску (L_{pA}): 70 дБ (А) чи менше
Похибка (К): 3 дБ (А)

Рівень шуму під час роботи може перевищувати 80 дБ (А).

ПРИМІТКА: Заявлене значення шуму було виміряно відповідно до стандартних методів тестування й може використовуватися для порівняння одного інструмента з іншим.

ПРИМІТКА: Заявлене значення шуму може також використовуватися для попереднього оцінювання впливу.

⚠ ПОПЕРЕДЖЕННЯ: Користуйтеся засобами захисту органів слуху.

⚠ ПОПЕРЕДЖЕННЯ: Залежно від умов використання рівень шуму під час фактичної роботи електроінструмента може відрізнятися від заявленого значення вібрації; особливо сильно на це впливає тип деталі, що оброблюється.

⚠ ПОПЕРЕДЖЕННЯ: Забезпечте належні запобіжні заходи для захисту оператора, що відповідатимуть умовам використання інструмента (слід брати до уваги всі складові робочого циклу, як-от час, коли інструмент вимкнено та коли він починає працювати на холостому ході під час запуску).

Вібрація

Загальна величина вібрації (векторна сума трьох напрямків) визначена згідно з EN62841-2-1:

Модель DF333D

Режим роботи: свердління металу
Вібрація ($a_{h,D}$): 2,5 м/с² або менше
Похибка (К): 1,5 м/с²

Модель DF033D

Режим роботи: свердління металу
Вібрація ($a_{h,D}$): 2,5 м/с² або менше
Похибка (К): 1,5 м/с²

ПРИМІТКА: Заявлене загальне значення вібрації було виміряно відповідно до стандартних методів тестування й може використовуватися для порівняння одного інструмента з іншим.

ПРИМІТКА: Заявлене загальне значення вібрації може також використовуватися для попереднього оцінювання впливу.

▲ПОПЕРЕДЖЕННЯ: Залежно від умов використання вібрація під час фактичної роботи електроінструмента може відрізнятися від заявленого значення вібрації; особливо сильно на це впливає тип деталі, що оброблюється.

▲ПОПЕРЕДЖЕННЯ: Забезпечте належні запобіжні заходи для захисту оператора, що відповідатимуть умовам використання інструмента (слід брати до уваги всі складові робочого циклу, як-от час, коли інструмент вимкнено та коли він починає працювати на холостому ході під час запуску).

Декларація про відповідність стандартам ЄС

Тільки для країн Європи

Декларацію про відповідність стандартам ЄС наведено в Додатку А до цієї інструкції з експлуатації.

ПОПЕРЕДЖЕННЯ ПРО ДОТРИМАННЯ ТЕХНІКИ БЕЗПЕКИ

Загальні застереження щодо техніки безпеки при роботі з електроінструментами

▲ПОПЕРЕДЖЕННЯ: Уважно ознайомтеся з усіма попередженнями про дотримання правил техніки безпеки, інструкціями, ілюстраціями та технічними характеристиками, що стосуються цього електроінструмента. Невиконання будь-яких інструкцій, перелічених нижче, може призвести до ураження електричним струмом, пожежі та/або тяжких травм.

Збережіть усі інструкції з техніки безпеки та експлуатації на майбутнє.

Термін «електроінструмент», зазначений у інструкції з техніки безпеки, стосується електроінструмента, який функціонує від електромережі (електроінструмент з кабелем живлення), або електроінструмента з живленням від батареї (безпроводний електроінструмент).

Попередження про необхідну обережність під час роботи з дрилем із бездротовим приводом

Інструкції з техніки безпеки під час виконання роботи

1. **Тримайте електроінструмент за спеціальні ізольовані поверхні під час роботи в місцях, де різальне приладдя або кріпильні вироби можуть зачепити приховану електропроводку.** Торкання різальним приладдям або кріпильним виробом дроту під напругою може призвести до передавання напруги до оголених металевих частин інструмента й ураження оператора електричним струмом.
2. **Обов'язково забезпечте надійну опору.** При виконанні робіт з інструментом на висоті переконайтеся, що внизу нікого немає.
3. **Тримайте інструмент міцно.**
4. **Не торкайтеся руками деталей, що обертаються.**
5. **Не залишайте інструмент, який працює.** Працюйте з інструментом тільки тоді, коли тримаєте його в руках.
6. **Не торкайтеся свердла або оброблюваної деталі одразу після свердління; вони можуть бути дуже гарячими і спричинити опіки шкіри.**
7. **Деякі матеріали мають у своєму складі токсичні хімічні речовини.** Будьте обережні, щоб не допустити вдихання пилу та його контакту зі шкірою. Дотримуйтеся правил техніки безпеки виробника матеріалу.
8. **Якщо свердло не можна відпустити навіть за відкритих лещат, витягніть його за допомогою плоскогубців.** Витягування свердла руками в такому випадку може призвести до поранення його гострим краєм.

Інструкції з техніки безпеки під час використання подовжених свердел

1. **Заборонено працювати на робочій частоті, яка перевищує максимальне номінальне значення для свердла.** На вищих робочих частотах свердло може зігнути, якщо обертатиметься вільно без контакту із заготівкою, що може призвести до травми.
2. **Завжди починайте свердління на низькій робочій частоті, притиснувши кінчик свердла до заготовки.** На вищих робочих частотах свердло може зігнути, якщо обертатиметься вільно без контакту із заготівкою, що може призвести до травми.
3. **Тисніть на інструмент тільки за віссю свердла й не притискайте його занадто сильно.** Свердла можуть зігнути, що призведе до поломки або втрати контролю – це може стати причиною травм.

ЗБЕРІГАЙТЕ ЦІ ВКАЗІВКИ.

▲ПОПЕРЕДЖЕННЯ: ніколи НЕ втрачайте пильності та не розслабляйтеся під час користування виробом (що можливо при частому користуванні); обов'язково строго дотримуйтеся відповідних правил безпеки. **НЕНАЛЕЖНЕ ВИКОРИСТАННЯ** або недотримання правил безпеки, викладених у цій інструкції з експлуатації, може призвести до серйозних травм.

Важливі інструкції з безпеки для касети з акумулятором

1. Перед тим як користуватися касетою з акумулятором, слід прочитати всі інструкції та застережні знаки щодо (1) зарядного пристрою акумулятора, (2) акумулятора та (3) виробів, що працюють від акумулятора.
2. Не слід розбирати касету з акумулятором.
3. Якщо період роботи дуже покоротшав, слід негайно припинити користування. Це може призвести до виникнення ризику перегріву, опіку та навіть вибуху.
4. У разі потрапляння електrolіту в очі слід промити їх чистою водою та негайно звернутися до лікаря. Це може призвести до втрати зору.
5. Не закоротіть касету з акумулятором.
 - (1) Не слід торкатися клем будь-яким струмопровідним матеріалом.
 - (2) Не слід зберігати касету з акумулятором у ємності з іншими металевими предметами, такими як цвяхи, монети тощо.
 - (3) Не залишайте касету з акумулятором під дощем, запобігайте контакту з водою.Коротке замикання може призвести до появи значного струму, перегріву, можливих опіків та навіть виходу з ладу.
6. Не слід зберігати інструмент та касету з акумулятором в місцях, де температура може сягнути чи перевищити 50°C (122°F).
7. Не слід спалювати касету з акумулятором, навіть якщо вона була неодноразово пошкоджена або повністю спрацьована. Касета з акумулятором може вибухнути у вогні.
8. Не слід кидати або ударяти акумулятор.
9. Не слід використовувати пошкоджені акумулятори.
10. Літій-іонні акумулятори, що містяться в інструменті, мають відповідати вимогам законів про небезпечні товари.

Під час транспортування за допомогою комерційних перевезень, наприклад із залученням третьої сторони та експедиторів, необхідно дотримуватись особливих вимог, вказаних на пакуванні й у маркуванні.

Під час підготування позиції до відправлення необхідно проконсультуватись зі спеціалістом з небезпечних матеріалів. Крім того, слід виконувати більш докладні національні настанови, якщо такі є.

Заклейте відкриті контакти стрічкою або заховайте їх і запакуйте акумулятор таким чином, щоб він не міг рухатися в пакуванні.
11. Для утилізації касети з акумулятором витягніть її з інструмента та утилізуйте безпечним способом. Дотримуйтеся норм місцевого законодавства щодо утилізації акумуляторів.
12. Використовуйте акумулятори лише з виробами, указаними компанією Makita.

Установлення акумуляторів у невідповідні виробі може призвести до пожежі, надмірного нагрівання, вибуху чи витоку електrolіту.
13. Якщо інструментом не користуватимуться протягом тривалого періоду часу, вийміть акумулятор з інструмента.

ЗБЕРІГАЙТЕ ЦІ ВКАЗІВКИ.

⚠ОБЕРЕЖНО: Використовуйте тільки акумулятори Makita. Використання акумуляторів, інших ніж оригінальні акумулятори Makita, або акумуляторів, конструкцію яких було змінено, може призвести до вибуху акумулятора і спричинити пожежу, травму або пошкодження. У зв'язку з цим також буде анульовано гарантію Makita на інструмент Makita і на зарядний пристрій.

Поради з забезпечення максимального строку експлуатації акумулятора

1. Касету з акумулятором слід заряджати до того, як він розрядиться повністю. Завжди слід зупинити роботу інструмента та зарядити акумулятор, якщо ви помітили зменшення потужності інструмента.
2. Ніколи не слід заряджати повторно повністю заряджену касету з акумулятором. Перезарядження скорочує строк експлуатації акумулятора.
3. Заряджайте касету з акумулятором при кімнатній температурі 10°C—40°C (50°F—104°F). Перед тим як заряджати касету з акумулятором, слід зачекати, доки вона охолоне.

ОПИС РОБОТИ

⚠ОБЕРЕЖНО: Обов'язково переконайтеся, що прилад вимкнено, а касету з акумулятором знято, перед регулюванням або перевіркою функціонування інструмента.

Встановлення та зняття касети з акумулятором

⚠ОБЕРЕЖНО: Завжди вимикайте інструмент перед встановленням або зняттям касети з акумулятором.

⚠ОБЕРЕЖНО: Під час встановлення або зняття касети з акумулятором слід міцно тримати інструмент та касету з акумулятором. Якщо ви утримуватимете інструмент та касету з акумулятором недостатньо міцно, вони можуть вислизнути з рук, що може призвести до пошкодження інструмента та касети з акумулятором або може спричинити травми.

► **Рис. 1:** 1. Червоний індикатор 2. Кнопка 3. Касета з акумулятором

Щоб зняти касету з акумулятором, слід витягнути її з інструмента, натиснувши на кнопку в передній частині касети.

Щоб установити касету з акумулятором, слід сумістити виступ на касеті з акумулятором із пазом у корпусі та вставити касету на місце. Її необхідно вставити повністю, аж доки не почуєте клацання. Якщо на верхній частині кнопки помітний червоний індикатор, це означає, що касета з акумулятором установлена не до кінця.

⚠ОБЕРЕЖНО: Завжди вставляйте касету з акумулятором повністю, аж поки червоний індикатор стане невидимим. Якщо цього не зробити, касета може випадково випасти з інструмента та завдати травми вам або людям, що знаходяться поряд.

⚠ОБЕРЕЖНО: Не встановлюйте касету з акумулятором із зусиллям. Якщо касета не вставляється легко, то це означає, що ви її неправильно вставляєте.

Система захисту акумулятора

Інструмент оснащено системою захисту акумулятора. Ця система автоматично вимикає живлення двигуна з метою збільшення робочого часу акумулятора.

Інструмент буде автоматично вимкнено під час роботи, якщо він та/або акумулятор знаходиться в наступних умовах.

Перевантаження

Інструмент споживає струм занадто високої потужності під час роботи.

У такому разі вимкніть інструмент і припиніть роботу, під час виконання якої інструмент зазнав перевантаження. Щоб перезапустити інструмент, увімкніть його знову. Якщо інструмент не запускається, це означає, що акумулятор перегрівся. У такому випадку дозвольте акумулятору охолонути, перш ніж знову увімкнути інструмент.

Низька напруга акумулятора

Залишкова ємність акумулятора занадто низька, тому інструмент не буде працювати. Якщо увімкнути інструмент, двигун запуститься, проте незабаром зупиниться. У такому разі вийміть і зарядіть акумулятор.

Відображення залишкового заряду акумулятора

Тільки для касет з акумулятором, які мають індикатори

► Рис.2: 1. Індикаторні лампи 2. Кнопка перевірки

Натисніть кнопку перевірки на касеті з акумулятором для відображення залишкового ресурсу акумулятора. Індикаторні лампи загоряться на кілька секунд.

Індикаторні лампи		Залишковий ресурс
Горить	Вимкнено	
■ ■ ■ ■	□	від 75 до 100%
■ ■ ■ □	□	від 50 до 75%
■ ■ □ □	□ □	від 25 до 50%
■ □ □ □	□ □ □ □	від 0 до 25%

ПРИМІТКА: Залежно від умов використання та температури оточуючого середовища показання можуть незначним чином відрізнятися від дійсного ресурсу.

Дія вмикача

► Рис.3: 1. Курок вмикача

⚠ОБЕРЕЖНО: Перед тим як вставляти касету з акумулятором в інструмент, обов'язково перевірте, чи курок вмикача спрацьовує належним чином та повертається у положення «ВІМК.», коли його відпускають.

Щоб увімкнути інструмент, просто натисніть на курок вмикача. Швидкість інструмента зростає, якщо збільшити тиск на курок вмикача. Щоб зупинити роботу, відпустіть курок вмикача.

Увімкнення переднього підсвічування

► Рис.4: 1. Лампа

⚠ОБЕРЕЖНО: Не дивіться на світло або безпосередньо на джерело світла.

Натисніть на курок вмикача, щоб увімкнути підсвічування. Лампа світиться, поки курок вмикача натиснуто. Підсвічування згасне приблизно за 10 секунд після відпускання курка вмикача.

ПРИМІТКА: Для очищення скла лампи підсвічування протріть її сухою тканиною. Будьте обережні, щоб не подряпати скло лампи підсвічування, тому що це погіршить освітлювання.

Робота перемикача реверсу

► Рис.5: 1. Важіль перемикача реверсу

⚠ОБЕРЕЖНО: Перед початком роботи обов'язково перевіряйте напрям обертання.

⚠ОБЕРЕЖНО: Перемикач реверсу можна використовувати тільки після повної зупинки інструмента. Зміна напрямку обертання до повної зупинки інструмента може призвести до його пошкодження.

⚠ОБЕРЕЖНО: Коли інструмент не використовується, важіль перемикача реверсу повинен знаходитися в нейтральному положенні.

Цей інструмент обладнано перемикачем реверсу для зміни напрямку обертання. Для обертання за годинниковою стрілкою пересуньте важіль перемикача реверсу в положення А, проти годинникової стрілки — у положення В.

Коли важіль перемикача реверсу перебуває в нейтральному положенні, курок вмикача не можна натиснути.

Зміна швидкості

► Рис.6: 1. Важіль зміни швидкості

⚠ОБЕРЕЖНО: Обов'язково встановлюйте важіль зміни швидкості у належне положення. Використання інструмента, коли важіль зміни швидкості розташовано між положеннями 1 та 2, може призвести до його пошкодження.

⚠ОБЕРЕЖНО: Не можна пересувати важіль зміни швидкості, коли інструмент працює. Це може призвести до пошкодження інструмента.

Положення важеля важіль зміни	Швидкість	Крутний момент	Застосування
1	Низька	Висока	Робота зі значним навантаженням
2	Високий	Низький	Робота з незначним навантаженням

Щоб змінити швидкість, спочатку вимкніть інструмент. Виберіть положення 2 для високої швидкості або положення 1 для низької швидкості з високим крутним моментом. Перед тим як починати роботу, переконайтеся, що важіль зміни швидкості встановлено у правильне положення. Якщо швидкість інструмента сильно знижується під час роботи у положенні 2, пересуньте важіль у положення 1 і знову розпочніть роботу.

Регулювання моменту затягування

- **Рис.7:** 1. Кільце регулювання 2. Градування 3. Стрілка

Момент затягування можна відрегулювати за 21 рівнем повертання кільця регулювання. Сумістіть поділки зі стрілкою на корпусі інструмента. Мінімальний момент затягування відповідає позначці 1, а максимальний — позначці 20.

Зчеплення прослизатиме при різних моментах затягування у разі встановлення позначки від 1 до 20.

Зчеплення не працює на позначці 1.

Перед тим як власне починати роботу, слід вкрутити пробний гвинт у матеріал або дублікат деталі, щоб визначити рівень моменту затягування, необхідний для даної роботи.

У нижченаведеній таблиці показано приблизне співвідношення між розміром гвинта і поділкою.

Градування		1	2	3	4	5	6	7	8	9	10	11	12	13	14	15	16	17	18	19	20					
Гвинт для металу		M4								M5						M6										
Шуруп	М'яка деревина (наприклад, сосна)	-								φ3,5 x 22						φ4,1 x 38										
	Жорстка деревина (наприклад, шорея)	-								-						φ3,5 x 22						-				
																φ4,1 x 38										

ЗБОРКА

⚠ОБЕРЕЖНО: Обов'язково переконайтеся, що прилад вимкнено, а касету з акумулятором знято, перш ніж проводити будь-які роботи з інструментом.

Встановлення та зняття наконечника для викручування або свердла

Для моделі DF333D (додаткове приладдя)

- **Рис.8:** 1. Муфта 2. Закрити 3. Відкрити

Поверніть муфту проти годинникової стрілки, щоб відкрити кулачки патрона. Вставте наконечник для викручування або свердло в патрон до упору. Поверніть муфту за годинниковою стрілкою, щоб затягнути кулачки патрона. Щоб зняти наконечник для викручування або свердло, поверніть муфту проти годинникової стрілки.

Встановлення та зняття наконечника для викручування або наконечника патронного типу

Для моделі DF033D (додаткове приладдя)

- **Рис.9**

Використовуйте тільки наконечник для викручування або наконечник патронного типу з глибиною входження, показаною на рисунку. Заборонено використовувати інші наконечники для викручування або наконечники патронного типу.

ПРИМІТКА: Можна використовувати як менші (A = 12 мм, B = 9 мм), так і більші (A = 17 мм, B = 14 мм) наконечники для викручування.

Щоб встановити наконечник для викручування, потягніть муфту в напрямку стрілки та вставте в неї наконечник для викручування до упору. Потім відпустіть муфту, щоб зафіксувати наконечник для викручування.

- **Рис.10:** 1. Наконечник для викручування 2. Муфта

Щоб зняти наконечник для викручування, потягніть муфту в напрямку стрілки, а потім витягніть наконечник для викручування.

ПРИМІТКА: Якщо наконечник для викручування вставлено в муфту недостатньо глибоко, то муфта не повернеться в початкове положення, а наконечник для викручування не буде зафіксовано. У такому разі спробуйте ще раз вставити його згідно з наведеними вище інструкціями.

ПРИМІТКА: Після встановлення наконечника для викручування переконайтеся, що його надійно зафіксовано. Якщо він виймається, не використовуйте його.

Встановлення гака

⚠ОБЕРЕЖНО: Під час установлення гачка надійно зафіксуйте його гвинтом. В іншому випадку гачок може від'єднатися від інструмента, що може призвести до травми.

► Рис.11: 1. Паз 2. Гак 3. Гвинт

Гак зручно використовувати для тимчасового підвішування інструмента. Його можна встановлювати на будь-якому боці інструмента. Щоб встановити гак, вставте його в паз на корпусі інструмента з будь-якого боку та закріпіть за допомогою гвинта. Щоб зняти гак, відпустіть гвинт і витягніть його.

Встановлення касети для наконечників

Додаткове приладдя

► Рис.12: 1. Касета для наконечників
2. Наконечник для викручування

Вставте касету для наконечників у виступ у нижній частині інструмента ліворуч або праворуч та закріпіть її за допомогою гвинта. Коли наконечник для викручування не використовується, зберігайте його в касеті для наконечників. У ній можна зберігати наконечники для викручування довжиною 45 мм.

РОБОТА

⚠ОБЕРЕЖНО: Обов'язково вставляйте касету з акумулятором до кінця з фіксацією на місці. Якщо на верхній частині кнопки помітний червоний індикатор, це означає, що касета з акумулятором зафіксована не до кінця. Вставте касету повністю, щоб червоний індикатор зник. Якщо цього не зробити, касета може випадково випасти з інструмента та завдати травми вам або людям, що знаходяться поряд.

⚠ОБЕРЕЖНО: Коли швидкість сильно знижується, слід зменшити навантаження або зупинити інструмент, щоб уникнути його пошкодження.

Інструмент потрібно міцно тримати однією рукою за ручку, а другою — за низ касети з акумулятором для того, щоб керувати видовбувальним рухом.

► Рис.13

Загвинчування


⚠ОБЕРЕЖНО: Відрегулюйте кільце регулювання для встановлення крутного моменту, необхідного для роботи.

⚠ОБЕРЕЖНО: Перевірте, чи наконечник для викручування рівно вставлено в голівку гвинта, інакше гвинт та/або наконечник можуть пошкодитись.

Вставте кінчик наконечника для викручування в голівку гвинта та натисніть на інструмент. Повільно запустіть інструмент, а потім поступово збільшуйте швидкість. Відпустіть курок вмикача, шойно буде задіяно зчеплення.

ПРИМІТКА: У разі вкручування шурупа заздалегідь просвердліть напрямний отвір, діаметр якого становить 2/3 діаметра гвинта. Це полегшить вкручування гвинта та дозволить уникнути розколювання оброблюваної деталі.

Свердління

Спочатку поверніть кільце регулювання таким чином, щоб стрілка вказувала на мітку . Потім виконайте такі дії.

Свердління деревини

Під час свердління деревини найліпші результати можна отримати, використовуючи свердла для деревини, обладнані напрямним гвинтом. Направний гвинт полегшує свердління тим, що він втягує свердло в оброблювану деталь.

Свердління металу

Щоб запобігти зісковзуванню свердла на початку свердління отвору, місце свердління необхідно накернати за допомогою керна та молотка. Встановіть кінчик свердла в накернене місце та почніть свердління. Під час свердління металу слід використовувати мастильно-охолоджувальну рідину. Винятком є чавун та латунь, які свердлять насухо.

⚠ОБЕРЕЖНО: Прикладання до інструмента надмірного тиску не пришвидшує свердління. Насправді надмірний тиск може лише пошкодити свердло, погіршити характеристики інструмента та скоротити термін його експлуатації.

⚠ОБЕРЕЖНО: Слід тримати інструмент міцно та бути обережним, коли свердло починає входити в оброблювану деталь. Під час пробивання отвору до інструмента/свердла прикладається величезне зусилля.


⚠ОБЕРЕЖНО: Свердло, яке застрягло, можна легко видалити, встановивши важіль перемикача реверсу на зворотний напрямок обертання, щоб отримати задній хід. Але якщо інструмент не тримати міцно, він може різко відскочити.

⚠ОБЕРЕЖНО: Оброблювану деталь обов'язково необхідно затискати в лещатах або подібному пристрої фіксації.

⚠ОБЕРЕЖНО: У разі неперервної роботи інструмента до розрядження касети з акумулятором необхідно зробити перерву на 15 хвилин, перед тим як продовжувати роботу з новим акумулятором.

Використання інструмента як ручної викрутки

► Рис.14

Вимкніть інструмент.
Пересуньте важіль перемикача реверсу у нейтральне положення.
Поверніть кільце регулювання таким чином, щоб стрілка вказувала на мітку .
Повертайте інструмент.

ПРИМІТКА: Таке використання зручне для перевірки загвинчування.

ПРИМІТКА: Не використовуйте інструмент для робіт, що потребують прикладання надмірних зусиль, таких як затягування болтів або видалення іржавих болтів.

Використання чохла

Додаткове приладдя

▲ОБЕРЕЖНО: Під час використання чохла виймайте наконечник для викручування або свердло з інструмента.

▲ОБЕРЕЖНО: Перед тим як помістити інструмент у чохол, вимкніть його та дочекайтеся, поки він повністю зупиниться.
Обов'язково надійно закривайте чохол, щоб інструмент у ньому було надійно зафіксовано.

1. Протягніть крізь тримач чохла пояс абощо.
► Рис.15: 1. Тримач чохла 2. Пояс

2. Вставте інструмент в чохол та заблокуйте його за допомогою гудзика чохла.
► Рис.16

► Рис.17

У передній частині чохла можна зберігати два наконечники для викручування.

ТЕХНІЧНЕ ОБСЛУГОВУВАННЯ

▲ОБЕРЕЖНО: Перед здійсненням перевірки або обслуговування завжди перевіряйте, щоб інструмент був вимкнений, а касета з акумулятором була знята.

УВАГА: Ніколи не використовуйте газолін, бензин, розріджувач, спирт та подібні речовини. Їх використання може призвести до зміни кольору, деформації або появи тріщин.

Для забезпечення БЕЗПЕКИ та НАДІЙНОСТІ продукції, її ремонт, а також роботи з обслуговування або регулювання повинні виконуватись уповноваженими або заводськими сервісними центрами Makita із використанням запчастин виробництва компанії Makita.

ДОДАТКОВЕ ПРИЛАДДЯ

▲ОБЕРЕЖНО: Це додаткове та допоміжне обладнання рекомендовано використовувати з інструментом Makita, зазначеним у цій інструкції з експлуатації. Використання будь-якого іншого додаткового та допоміжного обладнання може становити небезпеку травмування. Використовуйте додаткове та допоміжне обладнання лише за призначенням.

У разі необхідності отримати допомогу в більш детальному ознайомленні з оснащенням звертайтеся до місцевого сервісного центру Makita.

- Свердла
- Наконечники для викручування
- Наконечники патронного типу
- Касета для наконечників
- Чохол
- Пластмасова валіза для транспортування
- Гак
- Оригінальний акумулятор та зарядний пристрій Makita

ПРИМІТКА: Деякі елементи списку можуть входити до комплекту інструмента як стандартне приладдя. Вони можуть відрізнятися залежно від країни.

ТЕХНИЧЕСКИЕ ХАРАКТЕРИСТИКИ

Модель:		DF333D	DF033D
Максимальный диаметр сверления	Сталь	10 мм	
	Дерево	21 мм	
Усилие затяжки	Шуруп	5,1 мм x 63 мм	
	Мелкий крепежный винт	M6	
Число оборотов без нагрузки	Высокое (2)	0 - 1 700 мин ⁻¹	
	Низкое (1)	0 - 450 мин ⁻¹	
Общая длина		179 мм	149 мм
Номинальное напряжение		10,8 - 12 В пост. тока, макс.	
Масса нетто		1,1 - 1,2 кг	0,93 - 1,1 кг

- Благодаря нашей постоянно действующей программе исследований и разработок указанные здесь технические характеристики могут быть изменены без предварительного уведомления.
- Технические характеристики могут различаться в зависимости от страны.
- Масса может отличаться в зависимости от дополнительного оборудования. Обратите внимание, что блок аккумулятора также считается дополнительным оборудованием. В таблице представлены комбинации с наибольшим и наименьшим весом в соответствии с процедурой EPTA 01/2014.

Подходящий блок аккумулятора и зарядное устройство

Блок аккумулятора	BL1015 / BL1016 / BL1020B / BL1021B / BL1040B / BL1041B
Зарядное устройство	DC10SA / DC10SB / DC10WC / DC10WD / DC18RE

- В зависимости от региона проживания некоторые блоки аккумуляторов и зарядные устройства, перечисленные выше, могут быть недоступны.

⚠ОСТОРОЖНО: Используйте только перечисленные выше блоки аккумуляторов и зарядные устройства. Использование других блоков аккумуляторов и зарядных устройств может привести к травме и/или пожару.

Назначение

Инструмент предназначен для сверления и закручивания шурупов в дерево, металл и пластик.

Шум

Типичный уровень взвешенного звукового давления (A), измеренный в соответствии с EN62841-2-1:

Модель DF333D

Уровень звукового давления (L_{pA}): 70 дБ (или менее)
Погрешность (K): 3 дБ (A)

Уровень шума при выполнении работ может превышать 80 дБ (A).

Модель DF033D

Уровень звукового давления (L_{pA}): 70 дБ (или менее)
Погрешность (K): 3 дБ (A)

Уровень шума при выполнении работ может превышать 80 дБ (A).

ПРИМЕЧАНИЕ: Заявленное значение распространения шума измерено в соответствии со стандартной методикой испытаний и может быть использовано для сравнения инструментов.

ПРИМЕЧАНИЕ: Заявленное значение распространения шума можно также использовать для предварительных оценок воздействия.

⚠ОСТОРОЖНО: Используйте средства защиты слуха.

⚠ОСТОРОЖНО: Распространение шума во время фактического использования электроинструмента может отличаться от заявленного значения в зависимости от способа применения инструмента и в особенности от типа обрабатываемой детали.

⚠ОСТОРОЖНО: Обязательно определите меры безопасности для защиты оператора, основанные на оценке воздействия в реальных условиях использования (с учетом всех этапов рабочего цикла, таких как выключение инструмента, работа без нагрузки и включение).

Вибрация

Суммарное значение вибрации (сумма векторов по трем осям), определенное в соответствии с EN62841-2-1:

Модель DF333D

Рабочий режим: сверление металла
Распространение вибрации ($a_{h,D}$): 2,5 м/с² или менее
Погрешность (K): 1,5 м/с²

Модель DF033D

Рабочий режим: сверление металла
Распространение вибрации ($a_{h,D}$): 2,5 м/с² или менее
Погрешность (K): 1,5 м/с²

ПРИМЕЧАНИЕ: Заявленное общее значение распространения вибрации измерено в соответствии со стандартной методикой испытаний и может быть использовано для сравнения инструментов.

ПРИМЕЧАНИЕ: Заявленное общее значение распространения вибрации можно также использовать для предварительных оценок воздействия.

⚠ОСТОРОЖНО: Распространение вибрации во время фактического использования электроинструмента может отличаться от заявленного значения в зависимости от способа применения инструмента и в особенности от типа обрабатываемой детали.

⚠ОСТОРОЖНО: Обязательно определите меры безопасности для защиты оператора, основанные на оценке воздействия в реальных условиях использования (с учетом всех этапов рабочего цикла, таких как выключение инструмента, работа без нагрузки и включение).

Декларация о соответствии ЕС

Только для европейских стран

Декларация о соответствии ЕС включена в руководство по эксплуатации (Приложение А).

МЕРЫ БЕЗОПАСНОСТИ

Общие рекомендации по технике безопасности для электроинструментов

⚠ОСТОРОЖНО: Ознакомьтесь со всеми представленными инструкциями по технике безопасности, указаниями, иллюстрациями и техническими характеристиками, прилагаемыми к данному электроинструменту. Несоблюдение каких-либо инструкций, указанных ниже, может привести к поражению электрическим током, пожару и/или серьезной травме.

Сохраните брошюру с инструкциями и рекомендациями для дальнейшего использования.

Термин "электроинструмент" в предупреждениях относится ко всему инструменту, работающему от сети (с проводом) или на аккумуляторах (без провода).

Меры безопасности при использовании аккумуляторной дрели-шурупверта

Инструкции по технике безопасности при выполнении работ

1. Если при выполнении работ существует риск контакта режущего инструмента или крепежей со скрытой электропроводкой, держите электроинструмент за специальные изолированные поверхности. Контакт режущего инструмента или крепежей с проводом под напряжением может привести к тому, что металлические детали инструмента также окажутся под напряжением, что может стать причиной поражения оператора током.
2. При выполнении работ всегда занимайте устойчивое положение. При использовании инструмента на высоте убедитесь в отсутствии людей внизу.
3. Крепко держите инструмент.
4. Руки должны находиться на расстоянии от вращающихся деталей.
5. Не оставляйте работающий инструмент без присмотра. Включайте инструмент только тогда, когда он находится в руках.
6. Сразу после окончания работ не прикасайтесь к головке сверла или детали. Они могут быть очень горячими, что приведет к ожогам кожи.
7. Некоторые материалы могут содержать токсичные химические вещества. Примите соответствующие меры предосторожности, чтобы избежать вдыхания или контакта с кожей таких веществ. Соблюдайте требования, указанные в паспорте безопасности материала.
8. Если головку сверла не удастся ослабить даже с помощью открывания зажимов, воспользуйтесь плоскогубцами, чтобы вытянуть ее. Вытягивание головки сверла вручную может привести к травмированию ее острой кромкой.

Инструкции по технике безопасности при использовании удлиненных головок сверла

1. Запрещено работать на рабочей частоте, превышающей максимальные номинальные значения для головки сверла. На более высоких рабочих частотах сверло может изогнуться, если позволить ему вращаться свободно без контакта с заготовкой, что может привести к травме.
2. Всегда начинайте сверление на низкой частоте, прижав кончик сверла к заготовке. На более высоких рабочих частотах сверло может изогнуться, если позволить ему вращаться свободно без контакта с заготовкой, что может привести к травме.
3. Прикладывайте давление к инструменту только по оси сверла и не прижимайте сверло слишком сильно. Сверла могут согнуться, что приведет к поломке или потере контроля и может стать причиной травмы.

СОХРАНИТЕ ДАННЫЕ ИНСТРУКЦИИ.

▲ОСТОРОЖНО: НЕ ДОПУСКАЙТЕ, чтобы удобство или опыт эксплуатации данного устройства (полученный от многократного использования) доминировали над строгим соблюдением правил техники безопасности при обращении с этим устройством. **НЕПРАВИЛЬНОЕ ИСПОЛЬЗОВАНИЕ** инструмента или несоблюдение правил техники безопасности, указанных в данном руководстве, может привести к тяжелой травме.

Важные правила техники безопасности для работы с аккумуляторным блоком

1. Перед использованием аккумуляторного блока прочитайте все инструкции и предупреждающие надписи на (1) зарядном устройстве, (2) аккумуляторном блоке и (3) инструменте, работающем от аккумуляторного блока.
2. Не разбирайте аккумуляторный блок.
3. Если время работы аккумуляторного блока значительно сократилось, немедленно прекратите работу. В противном случае, может возникнуть перегрев блока, что приведет к ожогам и даже к взрыву.
4. В случае попадания электролита в глаза промойте их обильным количеством чистой воды и немедленно обратитесь к врачу. Это может привести к потере зрения.
5. Не замыкайте контакты аккумуляторного блока между собой:
 - (1) Не прикасайтесь к контактам какими-либо токопроводящими предметами.
 - (2) Не храните аккумуляторный блок в контейнере вместе с другими металлическими предметами, такими как гвозди, монеты и т. п.
 - (3) Не допускайте попадания на аккумуляторный блок воды или дождя.Замыкание контактов аккумуляторного блока между собой может привести к возникновению большого тока, перегреву, возможному ожогу и даже поломке блока.
6. Не храните инструмент и аккумуляторный блок в местах, где температура может достигать или превышать 50 °C (122 °F).
7. Не бросайте аккумуляторный блок в огонь, даже если он сильно поврежден или полностью вышел из строя. Аккумуляторный блок может взорваться под действием огня.
8. Не роняйте и не ударяйте аккумуляторный блок.
9. Не используйте поврежденный аккумуляторный блок.
10. Входящие в комплект литий-ионные аккумуляторы должны эксплуатироваться в соответствии с требованиями законодательства об опасных товарах.
При коммерческой транспортировке, например, третьей стороной или экспедитором, необходимо нанести на упаковку специальные предупреждения и маркировку.

В процессе подготовки работ по отправке обязательно проконсультируйтесь со специалистом по опасным материалам. Также соблюдайте местные требования и нормы. Они могут быть строже.

Закройте или закрепите разомкнутые контакты и упакуйте аккумулятор так, чтобы он не перемещался по упаковке.

11. Для утилизации блока аккумулятора извлеките его из инструмента и утилизируйте безопасным способом. Выполняйте требования местного законодательства по утилизации аккумуляторного блока.
12. Используйте аккумуляторы только с продукцией, указанной Makita. Установка аккумуляторов на продукцию, не соответствующую требованиям, может привести к пожару, перегреву, взрыву или утечке электролита.
13. Если инструментом не будет пользоваться в течение длительного периода времени, извлеките аккумулятор из инструмента.

СОХРАНИТЕ ДАННЫЕ ИНСТРУКЦИИ.

▲ВНИМАНИЕ: Используйте только фирменные аккумуляторные батареи Makita. Использование аккумуляторных батарей, не произведенных Makita, или батарей, которые были подвергнуты модификациям, может привести к взрыву аккумулятора, пожару, травмам и повреждению имущества. Это также автоматически аннулирует гарантию Makita на инструмент и зарядное устройство Makita.

Советы по обеспечению максимального срока службы аккумулятора

1. Заряжайте блок аккумуляторов перед его полной разрядкой. Обязательно прекратите работу с инструментом и зарядите блок аккумуляторов, если вы заметили снижение мощности инструмента.
2. Никогда не подзаряжайте полностью заряженный блок аккумуляторов. Перезарядка сокращает срок службы аккумулятора.
3. Заряжайте блок аккумуляторов при комнатной температуре в 10 - 40 °C (50 - 104 °F). Перед зарядкой горячего блока аккумуляторов дайте ему остыть.

ОПИСАНИЕ РАБОТЫ

⚠ВНИМАНИЕ: Перед регулировкой или проверкой функций инструмента обязательно убедитесь, что он выключен и его аккумуляторный блок снят.

Установка или снятие блока аккумулятора

⚠ВНИМАНИЕ: Обязательно выключайте инструмент перед установкой и извлечением аккумуляторного блока.

⚠ВНИМАНИЕ: При установке и извлечении аккумуляторного блока крепко удерживайте инструмент и аккумуляторный блок. Если не соблюдать это требование, они могут выскользнуть из рук, что приведет к повреждению инструмента, аккумуляторного блока и травмированию оператора.

► **Рис.1:** 1. Красный индикатор 2. Кнопка 3. Блок аккумулятора

Для снятия аккумуляторного блока нажмите кнопку на лицевой стороне и извлеките блок.

Для установки аккумуляторного блока совместите выступ аккумуляторного блока с пазом в корпусе и задвиньте его на место. Устанавливайте блок до упора так, чтобы он зафиксировался на месте с небольшим щелчком. Если вы можете видеть красный индикатор на верхней части клавиши, адаптер аккумулятора не полностью установлен на месте.

⚠ВНИМАНИЕ: Обязательно устанавливайте аккумуляторный блок до конца, чтобы красный индикатор не был виден. В противном случае аккумуляторный блок может выпасть из инструмента и нанести травму вам или другим людям.

⚠ВНИМАНИЕ: Не прилагайте чрезмерных усилий при установке аккумуляторного блока. Если блок не двигается свободно, значит он вставлен неправильно.

Система защиты аккумулятора

На инструменте предусмотрена система защиты аккумулятора. Она автоматически отключает питание двигателя для продления срока службы аккумулятора. Инструмент автоматически остановится во время работы при возникновении указанных ниже ситуаций.

Перегрузка:

Из-за способа эксплуатации инструмент потребляет очень большое количество тока. В этом случае выключите инструмент и прекратите работу, повлекшую перегрузку инструмента. Затем включите инструмент для перезапуска. Если инструмент не включается, значит перегрелся аккумуляторный блок. В этом случае дайте аккумулятору остыть перед повторным включением инструмента.









Низкое напряжение аккумулятора батареи: Уровень оставшейся емкости аккумулятора слишком низкий, и инструмент не работает. При включении инструмента электродвигатель запускается и вскоре останавливается. В этом случае снимите и зарядите аккумулятор.

Индикация оставшегося заряда аккумулятора

Только для блоков аккумулятора с индикатором

► **Рис.2:** 1. Индикаторы 2. Кнопка проверки

Нажмите кнопку проверки на аккумуляторном блоке для проверки заряда. Индикаторы загорятся на несколько секунд.

Индикаторы		Уровень заряда
Горит	Выкл.	
		от 75 до 100%
		от 50 до 75%
		от 25 до 50%
		от 0 до 25%

ПРИМЕЧАНИЕ: В зависимости от условий эксплуатации и температуры окружающего воздуха индикация может незначительно отличаться от фактического значения.

Действие выключателя

► **Рис.3:** 1. Триггерный переключатель

⚠ВНИМАНИЕ: Перед установкой аккумулятора блока в инструмент обязательно убедитесь, что его триггерный переключатель нормально работает и возвращается в положение "OFF" (ВЫКЛ) при отпускании.

Для запуска инструмента просто нажмите на триггерный переключатель. Для увеличения числа оборотов нажмите триггерный переключатель сильнее. Отпустите триггерный переключатель для остановки.

Включение передней лампы

► **Рис.4:** 1. Лампа

⚠ВНИМАНИЕ: Не смотрите непосредственно на свет или источник света.

Лампа продолжает гореть, пока нажат триггерный переключатель. Лампа будет светиться до тех пор, пока нажат триггерный переключатель. Лампа гаснет примерно через 10 секунд после отпускания триггерного переключателя.

ПРИМЕЧАНИЕ: Для удаления пыли с линзы лампы используйте сухую ткань. Не допускайте возникновения царапин на линзе лампы, так как это приведет к снижению освещенности.

Действие реверсивного переключателя

► Рис.5: 1. Рычаг реверсивного переключателя

ВНИМАНИЕ: Перед работой всегда проверьте направление вращения.

ВНИМАНИЕ: Используйте реверсивный переключатель только после полной остановки инструмента. Изменение направления вращения до полной остановки инструмента может привести к его повреждению.

ВНИМАНИЕ: Если инструмент не используется, обязательно переведите рычаг реверсивного переключателя в нейтральное положение.

Этот инструмент оборудован реверсивным переключателем для изменения направления вращения. Нажмите на рычаг реверсивного переключателя со стороны А для вращения по часовой стрелке или со стороны В для вращения против часовой стрелки. Когда рычаг реверсивного переключателя находится в нейтральном положении, триггерный переключатель нажать нельзя.

Изменение скорости

► Рис.6: 1. Рычаг изменения скорости

ВНИМАНИЕ: Всегда устанавливайте рычаг изменения скорости в правильное положение до конца. Если Вы работаете с инструментом, а рычаг изменения скорости находится посередине между обозначениями "1" и "2", это может привести к повреждению инструмента.

ВНИМАНИЕ: Не используйте рычаг переключения скорости при работающем инструменте. Это может привести к повреждению инструмента.

Положение рычага переключения скорости	Скорость	Крутящий момент	Допустимые работы
1	Низкая	Высокая	Работа с высокой нагрузкой
2	Высокая	Низкая	Работа с малой нагрузкой

Для изменения скорости работы сначала выключите инструмент. Выберите положение "2" для высоких оборотов или положение "1" для низких оборотов с высоким крутящим моментом. Перед началом работ убедитесь в правильном положении рычага переключения скорости.

Если обороты инструмента значительно снизились во время работы в положении "2", переведите рычаг в положение "1" и продолжите работу.

Регулировка крутящего момента затяжки

► Рис.7: 1. Регулировочное кольцо 2. Градуировка 3. Стрелка

Крутящий момент затяжки настраивается поворотом регулировочного кольца (предусмотрено 21 положения). Совместите градуировку со стрелкой на корпусе инструмента. Минимальному крутящему моменту затяжки соответствует положение 1, а максимальному – отметка 20.

Муфта будет проскальзывать при различных уровнях крутящего момента, установленного на значение от 1 до 20. Муфта не работает при выборе отметки 20.

Перед выполнением работы закрутите пробный болт в ваш материал или деталь из такого материала для определения необходимого крутящего момента для данного конкретного применения.

Ниже приводятся ориентировочные данные о зависимости между размером шурупа и градуировкой.

Градуировка		1	2	3	4	5	6	7	8	9	10	11	12	13	14	15	16	17	18	19	20
Мелкий крепежный винт		M4						M5						M6							
Шуруп	Мягкое дерево (например, сосна)	–						φ3,5 x 22						φ4,1 x 38							
	Твердое дерево (например, диптерокарп)	–						φ3,5 x 22						–							
		–						φ4,1 x 38													

⚠ВНИМАНИЕ: Перед проведением каких-либо работ с инструментом обязательно убедитесь, что инструмент отключен, а блок аккумулятора снят.

Установка или снятие насадки для отвертки или головки сверла

Для модели DF333D (дополнительная принадлежность)

► Рис.8: 1. Муфта 2. Закрыть 3. Открыть

Поверните муфту против часовой стрелки для открытия кулачков зажимного патрона. Вставьте насадку для отвертки или головку сверла в зажимной патрон как можно глубже. Поверните муфту по часовой стрелке для затяжки патрона. Для снятия насадки/головки поверните муфту против часовой стрелки.

Установка или снятие насадки для отвертки/гнездовой биты

Для модели DF033D (дополнительная принадлежность)

► Рис.9

Используйте только насадки для отвертки или гнездовые биты с хвостовиком, указанным на рисунке. Не используйте насадки для отвертки или гнездовые биты других типов.

ПРИМЕЧАНИЕ: Можно использовать как меньшие (A = 12 мм, B = 9 мм), так и большие (A = 17 мм, B = 14 мм) насадки для отвертки.

Для установки насадки сдвиньте муфту по стрелке и вставьте насадку в муфту до упора. Затем отпустите муфту, чтобы зафиксировать насадку.

► Рис.10: 1. Насадка для отвертки 2. Муфта

Для снятия насадки потяните муфту в направлении, указанном стрелкой, и вытяните насадку.

ПРИМЕЧАНИЕ: Если не вставить насадку в муфту достаточно глубоко, муфта не вернется в первоначальное положение и насадка не будет закреплена. В таком случае попытайтесь повторно вставить насадку в соответствии с инструкциями выше.

ПРИМЕЧАНИЕ: После установки насадки для отвертки проверьте надежность ее фиксации. Если насадка выходит из держателя, не используйте ее.

⚠ВНИМАНИЕ: При установке крючка надежно фиксируйте его винтом. В противном случае крючок может отсоединиться от инструмента, что может привести к травме.

► Рис.11: 1. Паз 2. Крючок 3. Винт

Крючок удобен для временного подвешивания инструмента. Он может быть установлен с любой стороны инструмента. Для установки крючка вставьте его в паз в корпусе инструмента с одной из сторон и закрепите при помощи винта. Чтобы снять крючок, необходимо сначала отвернуть винт.

Порядок установки держателя насадок для отвертки

Дополнительные принадлежности

► Рис.12: 1. Держатель насадок для отвертки 2. Насадка для отвертки

Установите держатель насадок в выступ на основании инструмента с правой или левой стороны и закрепите его при помощи винта.

Если насадки для отвертки не используются, храните их в специальных держателях. Здесь могут храниться насадки длиной до 45 мм.

ЭКСПЛУАТАЦИЯ

⚠ВНИМАНИЕ: Всегда устанавливайте блок аккумулятора до упора так, чтобы он зафиксировался на месте. Если вы можете видеть красный индикатор на верхней части клавиши, блок аккумулятора не полностью установлен на месте. Установите его до конца так, чтобы красный индикатор был не виден. В противном случае блок может выпасть из инструмента и нанести травму вам или другим людям.

⚠ВНИМАНИЕ: В случае значительного снижения оборотов уменьшите нагрузку или остановите инструмент во избежание его повреждения.

Для управления выдалбливающим действием инструмента крепко держите его одной рукой за ручку, а другой - за нижнюю часть блока аккумуляторной батареи.

► Рис.13

Работа в режиме шуруповерта


⚠ВНИМАНИЕ: Установите регулировочное кольцо на соответствующий уровень крутящего момента для вашей работы.

⚠ВНИМАНИЕ: Следите за тем, чтобы насадка для отвертки вставлялась прямо в головку винта, иначе можно повредить винт и/или насадку.

Используйте инструмент в головку шурупа и придавите инструмент к шурупу. Включите инструмент на медленной скорости и затем постепенно увеличивайте ее. Отпустите триггерный переключатель, как только сработает сцепление.

ПРИМЕЧАНИЕ: При закручивании шурупов в дерево предварительно просверлите направляющее отверстие, диаметр которого равен 2/3 диаметра шурупа. Это облегчит закручивание шурупа и предотвратит возникновение трещин в детали.

Сверление

Сначала поверните регулировочное кольцо, чтобы совместить указатель со стрелкой . Затем действуйте следующим образом.

Сверление дерева

При сверлении дерева наилучшие результаты достигаются с применением сверл для дерева с направляющим винтом. Направляющий винт упрощает сверление, удерживая головку сверла в обрабатываемой детали.

Сверление металла

Для предотвращения скольжения сверла при начале сверления сделайте углубление с помощью кернера и молотка в точке сверления. Вставьте острие головки сверла в углубление и начните сверление. При сверлении металлов пользуйтесь смазочно-охлаждающей жидкостью. Исключение составляют железо и латунь, которые надо сверлить насухо.

⚠ВНИМАНИЕ: Чрезмерное нажатие на инструмент не ускорит сверление. На самом деле, чрезмерное давление только повредит наконечник головки сверла, снизит производительность инструмента и сократит срок его службы.

⚠ВНИМАНИЕ: Крепко удерживайте инструмент и будьте осторожны, когда головка сверла начинает проходить сквозь обрабатываемую деталь. В момент выхода головки сверла из детали возникает огромное усилие на инструмент/сверло.


⚠ВНИМАНИЕ: Заклинившая головка сверла может быть без проблем извлечена из обрабатываемой детали путем изменения направления вращения при помощи реверсивного переключателя. Однако если вы не будете крепко держать инструмент, он может резко сдвинуться назад.

⚠ВНИМАНИЕ: Всегда закрепляйте обрабатываемые детали в тисках или аналогичном зажимном устройстве.

⚠ВНИМАНИЕ: Если инструмент эксплуатировался непрерывно до разряда блока аккумулятора, сделайте перерыв на 15 минут перед началом работы с заряженным аккумулятором.

Использование инструмента в качестве ручной отвертки

► Рис.14

Выключите инструмент. Переведите рычаг реверсивного переключателя в нейтральное положение. Поверните регулировочное кольцо, чтобы совместить указатель с отметкой . Поворачивайте инструмент.

ПРИМЕЧАНИЕ: Такое использование удобно для проверки натяжки шурупов.

ПРИМЕЧАНИЕ: Не используйте инструмент при работах, связанных с перегрузками (затягивание болтов или выкручивание заржавевших винтов).

Использование кобуры

Дополнительные принадлежности

⚠ВНИМАНИЕ: При использовании кобуры снимите насадку для отвертки/головку сверла с инструмента.

⚠ВНИМАНИЕ: Перед тем, как положить инструмент в кобур, выключите его и дождитесь полной остановки. Убедитесь, что кобура прочно закрыта (используйте соответствующую кнопку) и инструмент зафиксирован.

1. Проденьте поясной ремень или его аналог через держатель кобуры.

► Рис.15: 1. Держатель кобуры 2. Поясной ремень

2. Положите инструмент в кобур и закройте его с помощью кнопки на кобуре.

► Рис.16

► Рис.17

В передней части кобуры могут храниться две насадки для отвертки.

ОБСЛУЖИВАНИЕ

⚠ВНИМАНИЕ: Перед проведением проверки или работ по техобслуживанию всегда проверяйте, что инструмент выключен, а блок аккумулятора снят.

ПРИМЕЧАНИЕ: Запрещается использовать бензин, растворители, спирт и другие подобные жидкости. Это может привести к обесцвечиванию, деформации и трещинам.

Для обеспечения БЕЗОПАСНОСТИ и НАДЕЖНОСТИ оборудования ремонт, любое другое техобслуживание или регулировку необходимо производить в уполномоченных сервис-центрах Makita или сервис-центрах предприятия с использованием только сменных частей производства Makita.

ДОПОЛНИТЕЛЬНЫЕ ПРИНАДЛЕЖНОСТИ

⚠ ВНИМАНИЕ: Данные принадлежности или приспособления рекомендуются для использования с инструментом Makita, указанным в настоящем руководстве. Использование других принадлежностей или приспособлений может привести к получению травмы. Используйте принадлежность или приспособление только по указанному назначению.

Если вам необходимо содействие в получении дополнительной информации по этим принадлежностям, свяжитесь с вашим сервис-центром Makita.

- Головки сверл
- Насадки для отвертки
- Гнездовые биты
- Держатель насадок для отвертки
- Кобура
- Пластмассовый чемодан для переноски
- Крючок
- Оригинальный аккумулятор и зарядное устройство Makita

ПРИМЕЧАНИЕ: Некоторые элементы списка могут входить в комплект инструмента в качестве стандартных приспособлений. Они могут отличаться в зависимости от страны.

Makita Europe N.V. Jan-Baptist Vinkstraat 2,
3070 Kortenberg, Belgium

Makita Corporation 3-11-8, Sumiyoshi-cho,
Anjo, Aichi 446-8502 Japan

www.makita.com

885672B961
EN, SL, SQ, BG,
HR, MK, SR, RO,
UK, RU
20191021