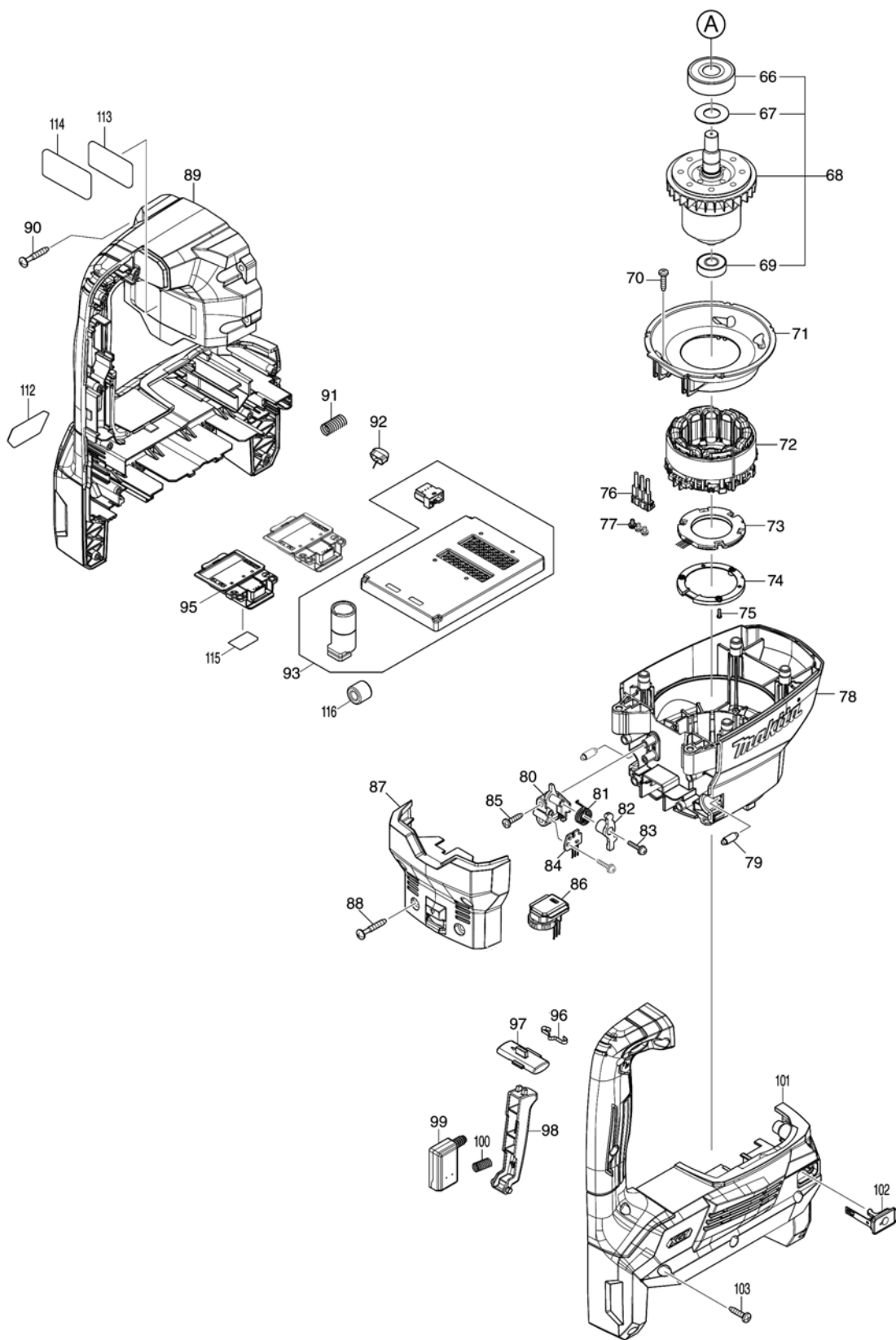


Model No.HM002G CORDLESS DEMOLITION HAMMER



Model No.HM002G CORDLESS DEMOLITION HAMMER

Item	Parts No.	Description	I/C	Qty	New/Old	Opt. 1	Opt. 2	Note
001	424165-8	TOOL HOLDER CAP		1				
002	233973-4	RING SPRING 26		1				
003	267386-7	FLAT WASHER 30		1				
004	450894-7	CHUCK COVER		1				
005	262147-0	RUBBER RING 30		1				
006	324987-5	CHUCK RING		1				
007	450895-5	RELEASE COVER		1				
008	310279-8	TOOL RETAINER		2				
009	346015-6	SPRING GUIDE		1				
010	234086-4	COMPRESSION SPRING 56		1				
011	961232-3	RETAINING RING WR-45		1				
012	450893-9	CHANGE RING COVER		1				
013	324969-7	CHANGE RING		1				
014	324988-3	LOCK RING		1				
015	922456-6	HEX. SOCKET HEAD BOLT M8X35		4				
016	413268-3	HOUSING COVER		1				
017	213664-3	O RING 60		1				
018	140Y02-5	BARREL COMPLETE		1				
019	213720-9	O RING 67		1				
020	262148-8	RUBBER RING 39		1				
021	267387-5	FLAT WASHER 39		1				
022	233970-0	RING SPRING 35		1				
023	213079-4	O-RING 35.5		1				
024	324985-9	TOOL HOLDER		1				
025	213980-3	X-RING 21		1				
026	213394-6	O RING 23		1				
027	213431-6	FLUORIDE RING 28		1				
028	136391-4	IMPACT BOLT ASSY		1				
D10		INC. 25-27						
029	324993-0	SHOULDER SLEEVE		1				
030	262149-6	RUBBER RING 24		1				
031	324993-0	SHOULDER SLEEVE		1				
032	327739-3	STRIKER		1				
033	213499-2	O-RING 31.5		1				
034	213581-7	O-RING 44		1				
035	450889-0	ONE WAY VALVE GUIDE		1				
036	327741-6	CYLINDER 40		1				
037	911133-5	PAN HEAD SCREW M4X18		4				
038	413273-0	CRANK CAP COVER		1				
039	443127-7	FILTER		1				
040	413272-2	CRANK CAP		1				
041	422658-9	SEAL RING A		1				

Please order the parts with part number.

Print Date 23/2/2021

Model No.HM002G CORDLESS DEMOLITION HAMMER

Item	Parts No.	Description	I/C	Qty	New/Old	Opt. 1	Opt. 2	Note
042	140Y06-7	CRANK HOUSING COMPLETE		1				
043	232662-8	COMPRESSION SPRING 12		2				
044	232664-4	COMPRESSION SPRING 10		1				
045	922363-3	H.S.H.BOLT M6X40 WITH WR		6				
046	413277-2	CONNECTING ROD		1				
047	450961-8	PISTON		1				
048	268121-6	PIN 12		1				
049	213149-9	O RING 35		1				
050	213499-2	O-RING 31.5		1				
051	327740-8	CRANK SHAFT		1				
052	210254-3	BALL BEARING 6206LLB		1				
053	226691-1	HELICAL GEAR 57		1				
054	267398-0	FLAT WASHER 12		1				
055	422659-7	SEAL RING B		1				
056	140Y03-3	GEAR HOUSING COMPLETE		1				
057	213231-4	OIL SEAL 15		1				
058	413275-6	SPRING PLATE		2				
059	232691-1	COMPRESSION SPRING 15		2				
060	324992-2	COUNTER WEIGHT		2				
061	232691-1	COMPRESSION SPRING 15		2				
062	213953-6	O RING 24		4				
064	140Y04-1	HOLDER COMPLETE		2				
066	210253-5	BALL BEARING 6302DDW		1				
067	267397-2	FLAT WASHER 15		1				
068	519651-3	ROTOR ASS'Y		1				
D10		INC. 66,67,69						
069	210059-1	BALL BEARING 6000DDW		1				
070	265995-6	TAPPING SCREW 4X18		4				
071	413271-4	BAFFLE PLATE		1				
072	629A27-3	STATOR		1				
073	620E26-2	CONTROLLER B		1				
074	687B69-9	STOPPER		1				
075	266490-9	TAPPING SCREW PT 2X6		3				
076	632R89-4	LEAD UNIT		1				
077	652031-1	PAN HEAD SCREW M3X6		3				
078	413266-7	MOTOR HOUSING		1				
079	256380-4	SHOULDER PIN 4-6		2				
080	412985-2	BASE		1				
081	232643-2	TORSION SPRING 13		1				
082	140W48-9	LEVER COMPLETE		1				
083	263046-9	TAPPING SCREW 3X14		2				
084	620E28-8	SENSOR CIRCUIT		1				

Please order the parts with part number.

Print Date 23/2/2021

Model No.HM002G CORDLESS DEMOLITION HAMMER

Item	Parts No.	Description	I/C	Qty	New/Old	Opt. 1	Opt. 2	Note
085	265995-6	TAPPING SCREW 4X18		2				
086	620E29-6	DIAL CIRCUIT		1				
087	140Y05-9	MOTOR HOUSING COVER COMPLETE		1				
C10	422660-2	RUBBER SHEET		1				
088	266041-8	TAPPING SCREW 5X25		4				
089	183T10-3	HOUSING SET		1				
C10	263005-3	RUBBER PIN 6		8				
C20	347755-9	GUARD RAIL		2				
C30	422646-6	CAP 10		2				
C40	347782-6	PLATE		4				
D10		INC. 101						
090	266041-8	TAPPING SCREW 5X25		4				
091	232663-6	COMPRESSION SPRING 8		1				
092	620E27-0	LED CIRCUIT		1				
093	620E31-9	CONTROLLER		1				
095	632R98-3	TERMINAL UNIT		2				
096	232152-1	LEAF SPRING		1				
097	412981-0	TRIGGER LOCK		1				
098	458097-7	SWITCH LEVER		1				
099	651083-9	SWITCH C3XA-1PSPM		1				
100	232418-9	COMPRESSION SPRING 5		1				
101	183T10-3	HOUSING SET		1				
C10	263005-3	RUBBER PIN 6		8				
C20	347755-9	GUARD RAIL		2				
C30	422646-6	CAP 10		2				
C40	347782-6	PLATE		4				
D10		INC. 89						
102	140F99-0	CAP COMPLETE		1				
C10	213218-6	O RING 16		1				
C20	818H07-8	CAP LABEL		1				
103	265995-6	TAPPING SCREW 4X18		10				
104	265439-6	HEX. BOLT M8X150		1				
105	417003-1	SIDE HANDLE		1				
106	252640-2	WING NUT M8		1				
107	417002-3	SIDE HANDLE CAM		2				
108	318505-9	SIDE HANDLE BASE 82A		1				
109	318506-7	SIDE HANDLE BASE 82B		1				
110	951166-8	SPRING PIN 5-24		1				
111	135269-8	SIDE HANDLE 82 ASS'Y		1				
D10		INC. 104-110						
112	8029M5-9	XGT LOGO LABEL		1				
113	8029M4-1	CLEAR LABEL		1				

Please order the parts with part number.

Print Date 23/2/2021