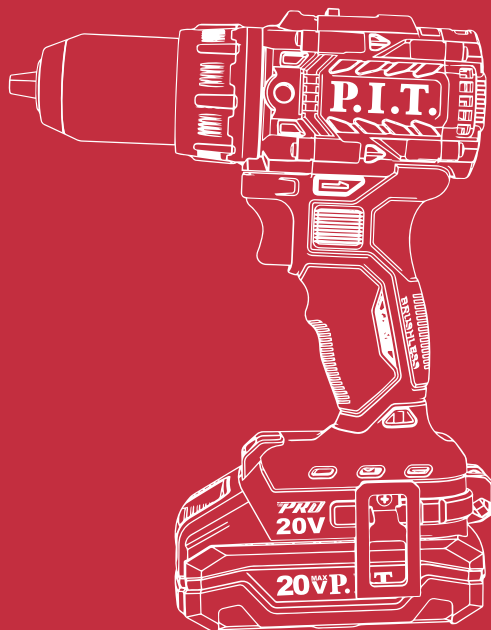


P.I.T.

PSB20H-13D



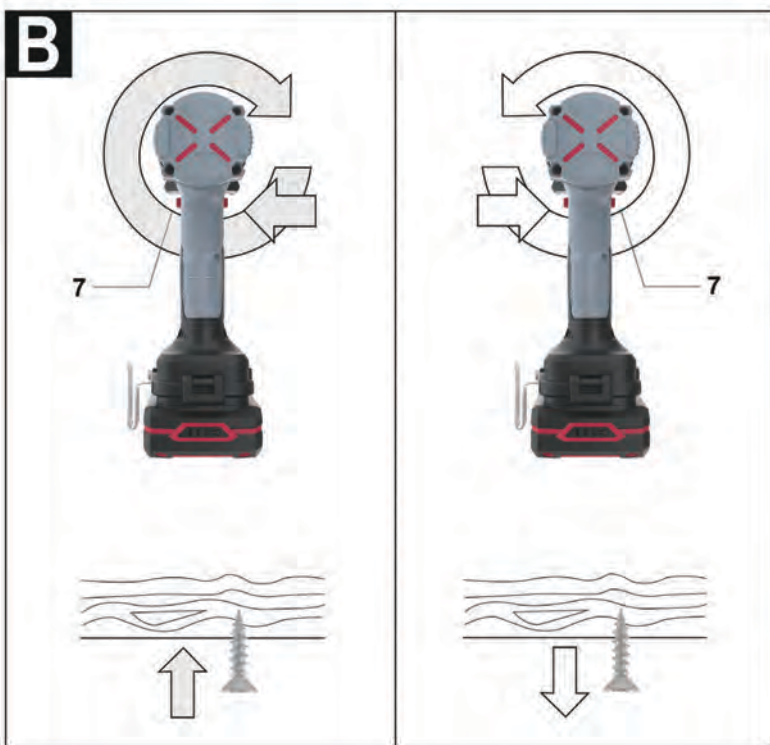
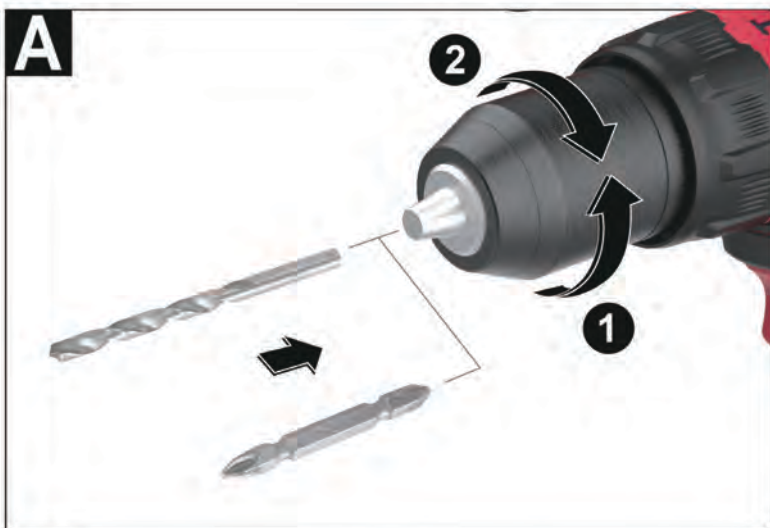
CORDLESS IMPACT DRILL
АККУМУЛЯТОРНАЯ УДАРНАЯ ДРЕЛЬ

20V ONE POWER

Please read the instruction manual carefully before use!
Пожалуйста, внимательно прочтите инструкцию перед использованием!







English

Safety Notes

General Power Tool Safety Warnings

⚠ WARNING Read all safety warnings and all instructions.

Failure to follow the warnings and instructions may result in electric shock, fire and/or serious injury.

Save all warnings and instructions for future reference. The term "power tool" in the warnings refers to your mains- operated (corded) power tool or battery-operated (cordless) power tool.

Work area safety

- ▶ **Keep work area clean and well lit.** Cluttered or dark areas invite accidents.
- ▶ **Do not operate power tools in explosive atmospheres, such as in the presence of flammable liquids, gases or dust.** Power tools create sparks which may ignite the dust or fumes.
- ▶ **Keep children and bystanders away while operating a power tool.** Distractions can cause you to lose control.

Electrical safety

- ▶ **Power tool plugs must match the outlet. Never modify the plug in any way. Do not use any adapter plugs with earthed (grounded) power tools.** Unmodified plugs and matching outlets will reduce risk of electric shock.
- ▶ **Avoid body contact with earthed or grounded surfaces, such as pipes, radiators, ranges and refrigerators.** There is an increased risk of electric shock if your body is earthed or grounded.
- ▶ **Do not expose power tools to rain or wet conditions.** Water entering a power tool will increase the risk of electric shock.
- ▶ **Do not abuse the cord. Never use the cord for carrying, pulling or unplugging the power tool. Keep cord away from heat, oil, sharp edges and moving parts.** Damaged or entangled cords increase the risk of electric shock.
- ▶ **When operating a power tool outdoors, use an extension cord suitable for outdoor use.** Use of a cord suitable for outdoor use reduces the risk of electric shock.
- ▶ **If operating a power tool in a damp location is unavoidable, use a residual current device (RCD) protected supply.** Use of an RCD reduces the risk of electric shock.

Personal safety

- ▶ **Stay alert, watch what you are doing and use common sense when operating a power tool. Do not use a power tool while you are tired or under the influence of drugs, alcohol or medication.** A moment of inattention while operating power tools may result in serious personal injury.
 - ▶ **Use personal protective equipment. Always wear eye protection.** Protective equipment such as dust mask, nonskid safety shoes, hard hat, or hearing protection used for appropriate conditions will reduce personal injuries.
 - ▶ **Prevent unintentional starting. Ensure the switch is in the off-position before connecting to power source and/or battery pack, picking up or carrying the tool.** Carrying power tools with your finger on the switch or energising power tools that have the switch on invites accidents.
 - ▶ **Remove any adjusting key or wrench before turning the power tool on.** A wrench or a key left attached to a rotating part of the power tool may result in personal injury.
 - ▶ **Do not overreach. Keep proper footing and balance at all times.** This enables better control of the power tool in unexpected situations.
 - ▶ **Dress properly. Do not wear loose clothing or jewellery. Keep your hair, clothing and gloves away from moving parts.** Loose clothes, jewellery or long hair can be caught in moving parts.
 - ▶ **If devices are provided for the connection of dust extraction and collection facilities, ensure these are connected and properly used.** Use of dust collection can reduce dust-related hazards.
- Power tool use and care**
- ▶ **Do not force the power tool. Use the correct power tool for your application.** The correct power tool will do the job better and safer at the rate for which it was designed.
 - ▶ **Do not use the power tool if the switch does not turn it on and off.** Any power tool that cannot be controlled with the switch is dangerous and must be repaired.
 - ▶ **Disconnect the plug from the power source and/or the battery pack from the power tool before making any adjustments, changing accessories, or storing power tools.** Such preventive safety

measures reduce the risk of starting the power tool accidentally.

- ▶ **Store idle power tools out of the reach of children and do not allow persons unfamiliar with the power tool or these instructions to operate the power tool.** Power tools are dangerous in the hands of untrained users.
- ▶ **Maintain power tools. Check for misalignment or binding of moving parts, breakage of parts and any other condition that may affect the power tool's operation. If damaged, have the power tool repaired before use.** Many accidents are caused by poorly maintained power tools.
- ▶ **Keep cutting tools sharp and clean.** Properly maintained cutting tools with sharp cutting edges are less likely to bind and are easier to control.
- ▶ **Use the power tool, accessories and tool bits etc. in accordance with these instructions, taking into account the working conditions and the work to be performed.** Use of the power tool for operations different from those intended could result in a hazardous situation.

Battery tool use and care

- ▶ **Recharge only with the charger specified by the manufacturer.** A charger that is suitable for one type of battery pack may create a risk of fire when used with another battery pack.
- ▶ **Use power tools only with specifically designated battery packs.** Use of any other battery packs may create a risk of injury and fire.
- ▶ **When battery pack is not in use, keep it away from other metal objects, like paper clips, coins, keys, nails, screws or other small metal objects, that can make a connection from one terminal to another.** Shorting the battery terminals together may cause burns or a fire.
- ▶ **Under abusive conditions, liquid may be ejected from the battery; avoid contact. If contact accidentally occurs, flush with water. If liquid contacts eyes, additionally seek medical help.** Liquid ejected from the battery may cause irritation or burns.

Service

- ▶ **Have your power tool serviced by a qualified repair person using only identical replacement parts.** This will ensure that the safety of the power tool is main-

tained.

Safety Warnings for Drills and Screwdrivers

- ▶ **Wear ear protectors when impact drilling.** Exposure to noise can cause hearing loss.
- ▶ **Hold power tool by insulated gripping surfaces when performing an operation where the cutting accessory or fastener may contact hidden wiring.** Cutting accessory and fasteners contacting a "live" wire may make exposed metal parts of the power tool "live" and could give the operator an electric shock.
- ▶ **Use auxiliary handle(s), if supplied with the tool.** Loss of control can cause personal injury.
- ▶ **Use appropriate detectors to determine if utility lines are hidden in the work area or call the local utility company for assistance.** Contact with electric lines can lead to fire and electric shock. Damaging a gas line can lead to explosion. Penetrating a water line causes property damage.
- ▶ **Switch off the power tool immediately when the tool is jams. Be prepared for high reaction torque that can cause kickback.**

- the power tool is subject to overload or
- it becomes wedged in the workpiece.

- ▶ **Hold the machine with a firm grip.** High reaction torque can briefly occur while driving in and loosening screws.
- ▶ **Secure the workpiece.** A workpiece clamped with clamping devices or in a vice is held more secure than by hand.
- ▶ **Always wait until the machine has come to a complete stop before placing it down.** The tool insert can jam and lead to



loss of control over the power tool.

- ▶ **Do not open the battery.** Danger of short-circuiting.
- Protect the battery against heat, e. g., against continuous intense sunlight, fire, water, and moisture.** Danger of explosion.
- ▶ **In case of damage and improper use of the battery, vapours may be emitted. Ventilate the area and seek medical help in case of complaints.** The vapours can irritate the respiratory system.
- ▶ **Use the battery only in conjunction with your Bosch power tool.** This measure alone protects the battery against danger-

ous overload.

- ▶ **The battery can be damaged by pointed objects such as nails or screwdrivers or by force applied externally.** An internal short circuit can occur and the battery can burn, smoke, explode or overheat.
- ▶ **The battery is supplied partially charged. To ensure full battery capacity, completely charge the battery in the battery charger before using for the first time.**
- ▶ **Read the operating instructions of the battery charger.**
- ▶ **Adjust the gear switch only when the machine is at a complete stop.**
- ▶ **Always push the gear selector and turn the operating mode selector switch through to the stop.** Otherwise, the machine can become damaged.

Product Description and Specifications



Read all safety warnings and all instructions. Failure to follow the warnings and instructions may result in electric shock, fire and/or serious injury.

Intended Use

The machine is intended for driving in and loosening screws as well as for drilling in wood, metal, ceramics and plastic. Impact drills are additionally intended for impact drilling in bricks, brickwork and masonry.

The light of this power tool is intended to illuminate the power tool's direct area of working operation and is not suitable for household room illumination.

Product Features

The numbering of the product features refers to the illustration of the machine on the graphics page.

- (1) Chuck jaws
- (2) Keyless drill chuck
- (3) Torque setting ring
- (4) Choice of operating modes
- (5) Speed switch
- (6) Switch
- (7) Rotation direction switch
- (8) Backlight
- (9) Battery release button
- (10) Battery
- (11) Handle (with insulated surface)
- (12) Hanging bracket
- (13) Additional handle

Technical Data

| Model | PSB20H-13D |
|---|--|
| Voltage | DC 20V |
| Chuck size | Ø13mm(1/2") |
| Speed | 0-300/0-2000r/min |
| Max.torque | 75N·m(664 in·lbf) |
| Torque setting | 20+1+1 |
| Weight | 1.83kg |
| Compatible battery (availability may vary) | PH20-2.0 (2Ah) PH20-3.0 (3Ah) PH20-4.0 (4Ah) PH20-5.0 (5Ah) PH20-6.0 (6Ah) |
| Compatible charger (availability varies by package) | PH20-2.4A PH20-3.0A |

Contents of delivery

| | |
|-----------------------|-------|
| Cordless impact drill | 1 pc |
| Drill bit | 4 pcs |
| Double-sided bit | 1 pc |
| Bit holder | 1 pc |
| Socket head | 3 pcs |
| Additional handle | 1 pc |
| Metal bracket | 1 pc |
| Instruction manual | 1 pc |

Assembly

Battery Charging

Note: The battery supplied is partially charged. To ensure full capacity of the battery, completely charge the battery in the battery charger before using your power tool for the first time.

The lithium ion battery can be charged at any time without reducing its service life. Interrupting the charging procedure does not damage the battery.

The lithium-ion battery is protected against deep discharging. When the battery is empty, the machine is switched off by means of a protective circuit: The inserted tool no longer rotates.

- ▶ **Do not continue to press the On/Off switch after the machine has been automatically switched off.** The battery can be damaged.

Removing the battery

The battery is equipped with two locking levels that should prevent the battery from falling out when pushing the battery unlocking button unintentionally. As long as the battery is inserted in the power tool, it is held in position by means of a spring.



To remove the battery, press the unlocking button to remove the battery, press the unlocking button and pull out the battery toward the front. **Do not exert any force.**

Changing the Tool (see figure A)

► **Before any work on the machine itself (e. g. maintenance, tool change, etc.) as well as during transport and storage, remove the battery from the power tool.** There is danger of injury when unintentionally actuating the On/Off switch.

Open the keyless chuck by turning in rotation direction ①, until the tool can be inserted. Insert the tool.

Firmly tighten the collar of the keyless chuck by hand in rotation direction ②. This automatically locks the drill chuck.

Dust/Chip Extraction

► **Dust from materials such as lead-containing coatings, some wood types, minerals and metal can be harmful to one's health and cause allergic reactions, lead to respiratory infections and/or cancer.** Materials containing asbestos may only be worked by specialists.

- Provide for good ventilation of the working place.
- It is recommended to wear a P2 filter-class respirator. Observe the relevant regulations in your country for the materials to be worked.

► **Prevent dust accumulation at the work-place.** Dust can easily ignite.

Operation

Starting Operation

Inserting the battery

Note: Use of batteries not suitable for the machine can lead to malfunctions of or cause damage to the power tool.

Set the rotational direction switch to the centre position in order to avoid unintentional starting. Insert the charged battery into the handle so that it can be felt to engage and faces flush against the handle.

Reversing the rotational direction (see figure B)

The rotational direction switch is used to re-

verse the rotational direction of the machine. However, this is not possible with the On/Off switch actuated.

Rotate clockwise: Move the rotational direction switch on both sides up to the stop into position ◀.

Rotate anticlockwise: Move the rotational direction switch on both sides up to the stop into position ▶.

Setting the operating mode



Drilling

Set the operating mode selector switch to the "drilling" symbol.



Screwdriving

Set the torque selector setting ring to the "screwdriving" symbol.



Impact drilling

Set the operating mode selector switch to the "impact drilling" symbol.

Switching On and Off

To **start** the machine, press the On/Off switch and keep it pressed.

The LED lights up when the On/Off switch is halfway or fully pressed, and enables illumination of the screwing location in unfavorable light conditions.

Adjusting the Speed

The speed of the switched-on power tool can be variably adjusted, depending on how far the On/Off switch is pressed.

Light pressure on the On/Off switch results in a low rotational speed. Further pressure on the switch results in an increase in speed.

Setting the torque

With the torque preselection ring, the required torque can be preselected in 17 steps. The inserted tool is stopped as soon as the set torque is reached.

Gear selection, mechanical

► **The gear selector can be actuated at standstill or when the machine is running. However, this should not be done while operating at full load or maximum speed.**



1st gear:

Low speed range; for working with large drilling diameters.



2nd gear:

High speed range; for drilling with small drilling diameter.

Temperature Dependent Overload Protection

When using as intended for, the power tool cannot be subject to overload. When the load is too high or the allowable battery temperature range is exceeded, the speed is reduced. The power tool will not run at full speed until reaching the allowable battery temperature.

Protection Against Deep Discharging

The lithium-ion battery is protected against deep discharging. When the battery is empty, the machine is switched off by means of a protective circuit: The inserted tool no longer rotates.

Working Advice

- ▶ **Apply the power tool to the screw only when it is switched off.** Rotating tool inserts can slip off.

An auxiliary tool can be used to remove the screwdriver bit or universal bit holder.

Belt Clip

With the belt clip, the machine can be hung onto a belt. The user has both hands free and the machine is always at hand.

Maintenance and Service

Maintenance and Cleaning

- ▶ **Before any work on the machine itself (e. g. maintenance, tool change, etc.) as well as during transport and storage, remove the battery from the power tool.**

There is danger of injury when unintentionally actuating the On/Off switch.

- ▶ **For safe and proper working, always keep the machine and ventilation slots clean.**

When the battery is no longer operative, please refer to an authorized after-sales service agent for P.I.T. power tools.

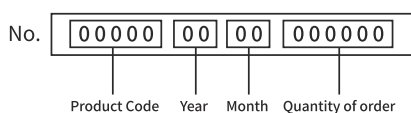
Dispose of waste



Damaged power tools, batteries, accessories and waste packaging materials must be recycled and reused in an environmentally friendly manner.

Do not throw power tools and accumulators / batteries into general household waste!

Product serial number interpretation serial number



The date of manufacture of the product is encoded in the serial number printed on the body of the tool. The first 2 digits indicate the

year of issue, the next 2 digits indicate the month.

TERMS OF WARRANTY SERVICE

To customers (users) of warranty service:

1. This warranty certificate is the only document that confirms your right to free warranty service. If this proof is not presented, no claims will be accepted. Warranty certificates cannot be recovered if lost or damaged.
2. It is required to provide a valid and legal document for purchasing the product. The document must have the name or seal of the sales company; at the same time, state the full model name of the purchased P.I.T. product, the serial number on the nameplate of the fuselage, and the date of purchase, and the required warranty. The whole machine and its accessories.

The warranty period:

1. The warranty period of the product is 12 months from the date of sale. During the warranty period, the service department will eliminate manufacturing defects free of charge and replace the parts that fail due to the manufacturer's fault. In warranty repair, an equivalent operable product is not provided. Replaceable parts become the property of the service provider.

2. The wear degree on the diameter of the motor rotor commutator is less than 0.4 mm (except for brushless motor tools), and the internal damage caused by the quality of the tool belongs to the warranty.

The following situations occur during the warranty period, which is not covered by the warranty:

1. In the absence of any valid legal documents (invoices) such as warranty certificates and warranty cards to prove the date of purchase.
2. Damage caused by natural wear and overload. (For example, motor rotor and stator failure caused by overload, scorching or melting of the primary winding of the welding machine transformer, charging or starting the charging device, melting of internal parts, burning of electronic circuit boards, etc.)
3. The casing and power cord are mechanically damaged, as well as damage caused by corrosive media and high and low temperature, foreign objects entering the ventilation network of the motor, and damage caused by improper storage (corrosion of metal parts);
4. Damage caused by improper carrying, transportation and storage by users.

P.I.T.

5. Products that are opened, repaired, replaced or modified by users themselves.

6. Any damage caused by indiscriminate use, beyond the scope of use of the tool, and not in accordance with the instructions for use and maintenance. (see chapter "Safety Precautions" in the manual);

7. The damage caused by the following situations is not guaranteed due to improper use and non-quality problems:

(1) When the power tool is running at high speed, use the braking device to forcibly stop the rotation.

(2) Excessive pressure is applied to the tool during the use of the tool.

(3) Use the tool outside the scope of its purpose and capabilities.

(4) Damage caused by the tool working in a dusty environment for a long time without timely maintenance of the tool.

(5) Change the rotation direction of the work head before the tool stops completely.

(6) Shock the battery or charger and replace the plug of the charger without permission, causing damage to the battery or charger.

(7) Damage caused by two-stroke gasoline tools not being fueled in the correct proportions.

The warranty does not include:

1. Replacement of accessories (accessories and components) such as batteries, discs, blades, drills, chucks, chains, sprockets, collet clamps, guide rails, tension and fastening elements, dresser heads, grinders And belt sander base machine, hexagonal head, etc.;

2. Wearing parts, such as: carbon brushes, transmission belts, seals, protective covers, guide rollers, guide rails, rubber seals, bearings, toothed belts and wheels, shanks, brake belts, starter ratchets and ropes, piston rings Wait.

The above accessories are replaced with paid services during the warranty period;

Русский

Общие указания по технике безопасности для электроинструментов

⚠ ПРЕДУПРЕЖДЕНИЕ Прочтите все указания и инструкции по технике безопасности. Несоблюдение указаний и инструкций по технике безопасности может стать причиной поражения электрическим током, пожара и тяжелых травм.

Сохраняйте эти инструкции и указания для будущего использования.

Использованное в настоящих инструкциях и указаниях понятие «электроинструмент» распространяется на электроинструмент с питанием от сети (с сетевым шнуром) и на аккумуляторный электроинструмент (без сетевого шнура).

Безопасность рабочего места

- ▶ Содержите рабочее место в чистоте и хорошо освещенным. Беспорядок или неосвещенные участки рабочего места могут привести к несчастным случаям.
- ▶ Не работайте с этим электроинструментом во взрывоопасном помещении, в котором находятся горючие жидкости, воспламеняющиеся газы или пыль.

Электроинструменты искрят, что может привести к воспламенению пыли или паров.

- ▶ Во время работы с электроинструментом не допускайте близко к Вашему рабочему месту детей и посторонних лиц. Отвлечшись, Вы можете потерять

контроль над электроинструментом.

Электробезопасность

- ▶ Штепсельная вилка электроинструмента должна подходить к штепсельной розетке. Ни в коем случае не изменяйте штепсельную вилку. Не применяйте переходные штекеры для электроинструментов с защитным заземлением. Неизменные штепсельные вилки и подходящие штепсельные розетки снижают риск поражения электротоком.
- ▶ Предотвращайте телесный контакт с заземленными поверхностями, как то: с трубами, элементами отопления, кухонными плитами и холодильниками. При заземлении Вашего тела повышается риск поражения электротоком.
- ▶ Защищайте электроинструмент от до-

жда и сырости. Проникновение воды в электроинструмент повышает риск поражения электротоком.

- ▶ Не разрешается использовать шнур не по назначению, например, для транспортировки или подвески электроинструмента, или для вытягивания вилки из штепсельной розетки. Защищайте шнур от воздействия высоких температур, масла, острых кромок или подвижных частей электроинструмента. Поврежденный или спутанный шнур повышает риск поражения электротоком.
- ▶ При работе с электроинструментом под открытым небом применяйте пригодные для этого кабели-удлинители. Применение пригодного для работы под открытым небом кабеля-удлинителя снижает риск поражения электротоком.
- ▶ Если невозможно избежать применения электроинструмента в сыром помещении, подключайте электроинструмент через устройство защитного отключения. Применение устройства защитного отключения снижает риск электрического поражения.

Безопасность людей

- ▶ Будьте внимательными, следите за тем, что Вы делаете, и продуманно начинайте работу с электроинструментом. Не пользуйтесь электроинструментом в усталом состоянии или если Вы находитесь в состоянии наркотического или алкогольного опьянения или под воздействием лекарств. Один момент невнимательности при работе с электроинструментом может привести к серьезным травмам.
- ▶ Применяйте средства индивидуальной защиты и всегда защитные очки. Использование средств индивидуальной защиты, как то: защитной маски, обуви на нескользящей подошве, защитного шлема или средств защиты органов слуха, – в зависимости от вида работы с электроинструментом снижает риск получения травм.
- ▶ Предотвращайте непреднамеренное включение электроинструмента. Перед подключением электроинструмента к электропитанию и/или к аккумулятору убедитесь в выключенном состоянии электроинструмента. Удержание пальца на выключателе при

транспортировке электроинструмента и подключение к сети питания включенного электроинструмента чревато несчастными случаями.

- ▶ **Убирайте установочный инструмент или гаечные ключи до включения электроинструмента.** Инструмент или ключ, находящийся во вращающейся части электроинструмента, может привести к травмам.
- ▶ **Не принимайте неестественное положение корпуса тела. Всегда занимайте устойчивое положение и сохраняйте равновесие.** Благодаря этому Вы можете лучше контролировать электроинструмент в неожиданных ситуациях.
- ▶ **Носите подходящую рабочую одежду. Не носите широкую одежду и украшения. Держите волосы, одежду и перчатки вдали от движущихся частей.** Широкая одежда, украшения или длинные волосы могут быть затянута вращающимися частями.
- ▶ **При наличии возможности установки пылеотсасывающих и пылесборных устройств проверяйте их присоединение и правильное использование.** Применение пылесоса может снизить опасность, создаваемую пылью.
- ▶ **Хорошее знание электроинструментов, полученное в результате частого их использования, не должно приводить к самоуверенности и игнорированию техники безопасности обращения с электроинструментами.** Одно небрежное действие за долю секунды может привести к серьезным травмам.
- ▶ **ВНИМАНИЕ! В случае возникновения перебоев в работе электроинструмента вследствие полного или частичного прекращения энергоснабжения или повреждения цепи управления энергоснабжением установите выключатель в положение Выкл., убедившись, что он не заблокирован (при его наличии). Отключите сетевую вилку от розетки или отсоедините съёмный аккумулятор.** Этим предотвращается неконтролируемый повторный запуск.

Применение электроинструмента и обращение с ним

- ▶ **Не перегружайте электроинструмент. Используйте для Вашей работы предназначенный для этого электроинструмент.** С подходящим электро-

инструментом Вы работаете лучше и надежнее в указанном диапазоне мощности.

- ▶ **Не работайте с электроинструментом при неисправном выключателе.** Электроинструмент, который не поддается включению или выключению, опасен и должен быть отремонтирован.
- ▶ **До начала наладки электроинструмента, перед заменой принадлежностей и прекращением работы отключайте штепсельную вилку от розетки сети и/или выньте аккумулятор.** Эта мера предосторожности предотвращает непреднамеренное включение электроинструмента.
- ▶ **Храните электроинструменты в недоступном для детей месте. Не разрешайте пользоваться электроинструментом лицам, которые не знакомы с ним или не читали настоящих инструкций.** Электроинструменты опасны в руках неопытных лиц.
- ▶ **Прибор не предназначен для использования лицами (включая детей) с пониженными физическими, чувственными или умственными способностями или при отсутствии у них опыта или знаний, если они не находятся под контролем или не проинструктированы об использовании прибора лицом, ответственным за их безопасность.**
- ▶ **Тщательно ухаживайте за электроинструментом. Проверяйте безупречную функцию и ход движущихся частей электроинструмента, отсутствие поломок или повреждений, отрицательно влияющих на функцию электроинструмента. Поврежденные части должны быть отремонтированы до использования электроинструмента.** Плохое обслуживание электроинструментов является причиной большого числа несчастных случаев.
- ▶ **Держите режущий инструмент в заточенном и чистом состоянии.** Заботливо ухоженные режущие инструменты с острыми режущими кромками режут легче и их легче вести.
- ▶ **Применяйте электроинструмент, принадлежности, рабочие инструменты и т. п. в соответствии с настоящими инструкциями.** Учитывайте при этом рабочие условия и выполняемую работу. Использование электроинструментов для непредусмотренных работ

может привести к опасным ситуациям.

Применение и обслуживание аккумулятора-го инструмента

► **Заряжайте аккумулятор только в зарядных устройствах, рекомендуемых изготовителем.** Зарядное устройство, предусмотренное для определенного вида аккумуляторов, может привести к пожарной опасности при использовании его с другими аккумуляторами.

► **Применяйте в электронинструментах только предусмотренные для этого аккумуляторы.** Использование других аккумуляторов может привести к травмам и пожарной опасности.

Важные правила техники безопасности для работы с аккумуляторным блоком.

ВНИМАНИЕ: Используйте только фирменные аккумуляторные батареи Р.І.Т. Использование аккумуляторных батарей, не произведенных Р.І.Т., или батарей, которые были подвергнуты модификациям, может привести к взрыву аккумулятора, пожару, травмам и повреждению имущества. Это также автоматически аннулирует гарантию Р.І.Т. на инструмент и зарядное устройство Р.І.Т.

► Перед использованием аккумуляторного блока прочитайте все инструкции и предупреждающие надписи на зарядном устройстве, аккумуляторном блоке и инструменте, работающем от аккумуляторного блока.

► Не разбирайте аккумуляторный блок.

► Не роняйте и не ударяйте аккумуляторный блок.

► Не используйте поврежденный аккумуляторный блок

► Если время работы аккумуляторного блока значительно сократилось, немедленно прекратите работу. В противном случае, может возникнуть перегрев блока, что приведет к ожогам и даже к взрыву.

► В случае попадания электролита в глаза промойте их обильным количеством чистой воды и немедленно обратитесь к врачу. Это может привести к потере зрения.

► Не замыкайте контакты аккумуляторного блока между собой:

(1) Не прикасайтесь к контактам какими-либо токопроводящими предметами.

(2) Не храните аккумуляторный блок в контейнере вместе с другими металлическими предметами, такими как гвозди, монеты и т. п.

(3) Не допускайте попадания на аккумуляторный блок воды или дождя. Замыкание

контактов аккумуляторного блока между собой может привести к возникновению большого тока, перегреву, возможным ожогам и даже поломке блока.

► Не храните инструмент и аккумуляторный блок в местах, где температура может достигать или превышать 50 °C (122 °F).

► Не бросайте аккумуляторный блок в огонь, даже если он сильно поврежден или полностью вышел из строя. Аккумуляторный блок может взорваться под действием огня.

► При повреждении и ненадлежащем использовании аккумулятора может выделяться газ. Обеспечьте приток свежего воздуха и при возникновении жалоб обратитесь к врачу. Газы могут вызвать раздражение дыхательных путей.

► Время от времени прочищайте вентиляционные прорези аккумулятора мягкой, сухой и чистой кисточкой.

► Заряжайте блок аккумуляторов не допуская его полной разрядки. Обязательно прекратите работу с инструментом и зарядите блок, если вы заметили снижение мощности инструмента.

► Никогда не подзаряжайте полностью заряженный блок аккумуляторов. Перезарядка сокращает срок службы аккумулятора.

► Заряжайте блок аккумуляторов при комнатной температуре. Перед зарядкой горячего блока аккумуляторов дайте ему остыть.

► Зарядите литий-ионный аккумуляторный блок, если вы не будете пользоваться инструментом длительное время (более шести месяцев).

► Не вскрывайте аккумулятор. При этом возникает опасность короткого замыкания.

► Защищайте аккумуляторную батарею от высоких температур, например, от длительного нагревания на солнце, от огня, воды и влаги. Существует опасность взрыва.

► Храните аккумулятор в диапазоне температур от 0 до 45°C. Не оставляйте аккумулятор летом в автомобиле.

► Входящие в комплект литий-ионные аккумуляторы должны эксплуатироваться в соответствии с требованиями законодательства об опасных товарах. При коммерческой транспортировке, например, третьей стороной или экспедитором, необходимо нанести на упаковку специальные предупреждения и маркировку. В процессе подготовки устройства к отправке обяза-

тельно проконсультируйтесь со специалистом по опасным материалам. Также соблюдайте местные требования и нормы. Они могут быть строже.

Закройте или закрепите разомкнутые контакты и упакуйте аккумулятор так, чтобы он не перемещался по упаковке.

► Выполняйте требования местного законодательства относительно утилизации аккумулятора блока.

Указания по технике безопасности для электродрелей и шуруповёртов

► При ударе сверления одевайте наушники. Шум может повредить слух.

► При выполнении работ, при которых рабочий инструмент или шуруп может задеть скрытую электропроводку, держите электроинструмент за изолированные ручки. Контакт с находящейся под напряжением проводкой может заряжать металлические части электроинструмента и приводить к удару электрическим током.

► Используйте прилагающиеся к электроинструменту дополнительные рукоятки. Потеря контроля может иметь своим следствием телесные повреждения.

► Применяйте соответствующие металлоискатели для нахождения скрытых систем электрогазопроводов водоснабжения или обращайтесь за справкой в местное предприятие коммунального снабжения. Контакт с электропроводкой может привести к пожару и поражению электротоком. Повреждение газопровода может привести к взрыву. Повреждение водопровода ведет к нанесению материального ущерба.

► При заклинивании рабочего инструмента немедленно выключайте электроинструмент. Будьте готовы к высоким реакционным моментам, которые ведут к обратному удару. Рабочий инструмент заедает:

– при перегрузке электроинструмента или
– при перекашивании обрабатываемой детали.

► Держите крепко электроинструмент в руках. При завинчивании и отвинчивании винтов/шурупов могут кратковременно возникать высокие обратные моменты.

► Закрепляйте заготовку. Заготовка, установленная в зажимное приспособление или в тиски, удерживается более

надежно, чем в Вашей руке.

► Выждите полной остановки электроинструмента и только после этого выпускайте его из рук. Рабочий инструмент может заесть, и это может привести к потере контроля над электроинструментом.

► Насадки и сам инструмент в процессе работы сильно нагреваются. При их захвате надевайте защитные перчатки, особенно во время выполнения теплообrazующих операций, таких как сверление с ударом и сверление металлов.

► Меры предосторожности при использовании длинных свёрл:

► Никогда не работайте на скорости, превышающей максимальную скорость вращения сверла. На более высоких скоростях сверло, скорее всего, согнётся, если будет свободно вращаться, не соприкасаясь с заготовкой, что приведёт к получению телесной травмы.

► Всегда начинайте сверление на низкой скорости, и прижав кончик сверла к поверхности заготовки.

► Оказывайте давление только на прямой линии с насадкой, и никогда не оказывайте чрезмерного давления. Насадка может согнуться, что станет причиной её поломки или потери контроля над инструментом, что приведёт к получению телесной травмы.

► Пыль таких материалов, как, напр., свинцовосодержащие лакокрасочные покрытия, некоторые виды древесины, минералов и металла, может нанести вред Вашему здоровью и вызвать аллергические реакции, заболевания дыхательных путей и/или рак. Поручайте обработку содержащего асбест материала только специалистам.

– Хорошо проветривайте рабочее место.
– Рекомендуется пользоваться респираторной маской с фильтром класса P2. Соблюдайте действующие в Вашей стране предписания для обрабатываемых материалов.

► Избегайте скопления пыли на рабочем месте. Пыль может легко воспламеняться.

► Устанавливайте электроинструмент на шуруп только в выключенном состоянии. Вращающиеся рабочие инструменты могут соскользнуть.

► Переключайте переключатель передач только при остановленном элек-

троинструменте.

- **Перемещайте переключатель перед/поворачивайте переключатель режимов работы всегда до упора.** Иначе возможно повреждение электроинструмента.

В елях экономии электроэнергии включайте электроинструмент только тогда, когда Вы собираетесь работать с ним.



Описание продукта и услуг. Прочтите все указания и инструкции потехнике безопасности.

Несоблюдение указаний по технике безопасности и инструкций может привести к поражению электрическим током, пожару и/или тяжелым травмам.

Пожалуйста, соблюдайте иллюстрации в начале руководства по эксплуатации.

Применение по назначению

Электроинструмент предназначен для завинчивания и отвинчивания винтов, а также для сверления в древесине, металле, керамике и пластмассе.

Изображенные составные части

Нумерация представленных компонентов выполнена по изображению на странице с иллюстрациями.

- (1) Кулачки патрона
- (2) Быстрозажимной сверлильный патрон
- (3) Установочное кольцо крутящего момента
- (4) Выбор режимов работы
- (5) Переключатель скоростей
- (6) Выключатель
- (7) Переключатель направления вращения
- (8) Подсветка
- (9) Кнопка разблокировки аккумулятора
- (10) Аккумулятор
- (11) Рукоятка (с изолированной поверхностью)
- (12) Скоба для подвешивания
- (13) Дополнительная рукоятка

Технические характеристики

| Модель | PSB20H-13D |
|--|---------------------|
| Номинальное напряжение | DC 20В |
| Диапазон зажима сверлильного патрона | Ø13мм(1/2") |
| Число оборотов (1/2 скорости) | 0-300/0-2000об/ мин |
| Макс. крутящий момент | 75Н·м(664 in·lbf) |
| Количество установок крутящего момента | 20+1+1 |

| Модель | PSB20H-13D |
|--|--|
| Вес | 1,83 кг |
| Совместимая аккумуляторная батарея (наличие зависит от комплекта поставки) | RH20-2.0 (2Ач) RH20-3.0 (3Ач) RH20-4.0 (4Ач) RH20-5.0 (5Ач) RH20-6.0 (6Ач) |
| Совместимое зарядное устройство (наличие зависит от комплекта поставки) | RH20-2.4А RH20-3.0А |

Комплект поставки

| | |
|------------------------------|------|
| Аккумуляторная ударная дрель | 1 шт |
| Сверло | 4 шт |
| Бита двусторонняя | 1 шт |
| Держатель для бит | 1 шт |
| Бита с торцевой головкой | 3 шт |
| Дополнительная рукоятка | 1 шт |
| Металлическая скоба | 1 шт |
| Руководство по эксплуатации | 1 шт |

борка

- **До начала работ по техобслуживанию, смене инструмента и т. д., а также при транспортировке и хранении извлекайте аккумулятор из электроинструмента.** При непреднамеренном включении возникает опасность травмирования.

Зарядка аккумулятора

- **Пользуйтесь только зарядными устройствами, указанными в технических параметрах.** Только эти зарядные устройства пригодны для литиево-ионного аккумулятора Вашего электроинструмента.

Указание: Аккумуляторная батарея поставляется в частично заряженном состоянии. Для обеспечения полной мощности аккумулятора зарядите его полностью перед первым применением.

Литий-ионный аккумулятор может быть заряжен в любое время без сокращения срока службы. Прекращение процесса зарядки не наносит вреда аккумулятору.

Литиево-ионная аккумуляторная батарея защищена от глубокой разрядки системой „Electronic Cell Protection (ECP)“. Защитная схема выключает электроинструмент при разряженном аккумуляторе – рабочий инструмент останавливается.

- **После автоматического выключения электроинструмента не нажимайте больше на выключатель.** Аккумулятор может быть поврежден.

Учитывайте указания по утилизации.

Извлечение аккумулятора

Аккумулятор оснащен двумя ступенями фиксации, призванными предотвращать выпадение аккумулятора при непреднамеренном нажатии на кнопку разблокировки. Пока аккумулятор находится в электроинструменте, пружина держит его в соответствующем положении.



Чтобы извлечь аккумуляторную батарею, нажмите на кнопку разблокировки и извлеките аккумулятор из электроинструмента.

Не применяйте при этом силы.

Индикатор заряженности аккумулятора

Зеленые светодиоды на индикаторе заряженности аккумулятора показывают уровень его заряда. По причинам безопасности индикатор заряженности активен только в состоянии покоя электроинструмента.

Нажмите на кнопку индикатора заряженности аккумулятора, чтобы посмотреть степень заряженности. Это возможно также и при извлеченной аккумуляторной батарее.

Если после нажатия на кнопку индикатора заряженности аккумулятора не загорается ни один светодиодный индикатор, аккумулятор неисправен и должен быть заменен.

Работа и значение элементов индикатора зарядного устройства

1. Подключите зарядное устройство к сети (без АКБ) - загорится зеленый индикатор.
2. Вставьте аккумуляторную батарею в гнездо зарядного устройства - загорится красный индикатор, зеленый погаснет.
3. При полной зарядке аккумуляторной батареи - красный индикатор погаснет, начнет мигать зеленый индикатор.
4. Поочередное мигание зеленого и красного индикаторов свидетельствует о неисправности зарядного устройства или аккумулятора батареи.

Замена рабочего инструмента

(см. рис. А)

► До начала работ по техобслуживанию, смене инструмента и т. д., а также при транспортировке и хранении извлекайте аккумулятор из электроинструмента. При непреднамеренном включении возникает опасность травмирования.

Откройте быстрозажимной сверлильный патрон, поворачивая его в направлении вращения 1 настолько, чтобы можно было вставить рабочий инструмент. Вставьте инструмент.

От руки туго затягивайте гильзу быстрозажимного сверлильного патрона в направлении 2 до тех пор, пока не перестанут слышаться щелчки. При этом сверлильный патрон автоматически фиксируется.

Удаление пыли и стружки

Пыль некоторых материалов, как напр., красок с содержанием свинца, некоторых сортов древесины, минералов и металлов, может быть вредной для здоровья.

Прикосновение к пыли и попадание пыли в дыхательные пути может вызвать аллергические реакции и/или заболевания дыхательных путей оператора или находящегося вблизи персонала.

Определенные виды пыли, напр., дуба и бука, считаются канцерогенными, особенно совместно с присадками для обработки древесины (хромат, средство для защиты древесины). Материал с содержанием асбеста разрешается обрабатывать только специалистам.

– Хорошо проветривайте рабочее место.

– Рекомендуется пользоваться респираторной маской с фильтром класса P2.

Соблюдайте действующие в Вашей стране предписания для обрабатываемых материалов.

► Избегайте скопления пыли на рабочем месте. Пыль может легко воспламеняться.

Работа с инструментом

Включение электроинструмента Установка аккумулятора

Указание: Применение аккумуляторов, не предназначенных для данного электроинструмента, может привести к сбоям в работе или повреждению электроинструмента. Установите переключатель направления вращения посередине, чтобы предотвратить непреднамеренное включение. Уста-

новите заряженную аккумуляторную батарею в рукоятку так, чтобы она вошла в зацепление и прилегалла к рукоятке заподлицо.

Настройка направления вращения (см. рис. В)

Выключателем направления вращения можно изменять направление вращения электроинструмента. При вжатом выключателе это, однако, невозможно.

Правое вращение: Для сверления и завинчивания шурупов передвиньте переключатель направления вращения до упора влево.

Левое направление вращения: Для ослабления и выворачивания винтов/шурупов и отвинчивания гаек нажмите переключатель направления вращения вправо до упора.

Установка режима работы



Сверление

Установите кольцо регулировки крутящего момента на символ «Сверление».



Закручивание

Установите кольцо регулировки крутящего момента на необходимый крутящий момент.



Ударное сверление

Установите переключатель режимов на символ «Ударное сверление».

Включение/выключение

Для **включения** электроинструмента нажмите на выключатель и удерживайте его нажатым.

Светодиод загорается при легком или полном нажатии на выключатель и позволяет освещать рабочую зону при недостаточном общем освещении.

Для **выключения** электроинструмента отпустите выключатель.

Установка числа оборотов

Число оборотов включенного электроинструмента можно плавно регулировать, изменяя для этого усилие нажатия на выключатель.

При слабом нажатии на выключатель электроинструмент работает с низким числом оборотов. С увеличением силы нажатия число оборотов увеличивается.

Установка крутящего момента

С помощью установочного кольца крутя-

щего момента можно установить одну из 20 ступеней крутящего момента. Чем выше цифра, тем выше крутящий момент и тем больше размер крепёжной детали, которую можно завернуть.

Механический выбор передачи

- ▶ Приводите в действие переключатель передач только при остановленном электроинструменте.
- ▶ Переключателем передач можно пользоваться при полностью остановленном электроинструменте. Этого нельзя делать при полной нагрузке или на максимальных оборотах.
- ▶ Переключайте переключатель передач всегда до упора. В противном случае электроинструмент может быть поврежден.



1-я передача:

Диапазон низкого числа оборотов для работы со сверлами с большими диаметрами или для завинчивания винтов/шурупов.



2-я передача:

Диапазон высокого числа оборотов для работы со сверлами небольшого диаметра.

Защита от глубокой разрядки

Литиево-ионная аккумуляторная батарея защищена от глубокой разрядки системой. Защитная схема выключает электроинструмент при разряженном аккумуляторе.

Техобслуживание и сервис

- ▶ До начала работ по техобслуживанию, смене инструмента и т. д., а также при транспортировке и хранении извлекайте аккумулятор из электроинструмента. При непреднамеренном включении возникает опасность травмирования.
- ▶ Для обеспечения качественной и безопасной работы содержите электроинструмент и вентиляционные прорези в чистоте.

Сервис

- ▶ Ремонт вашего электроинструмента поручайте только квалифицированному персоналу и только с применением оригинальных запасных частей. Этим обеспечивается безопасность электроинструмента.

Список авторизованных сервисных центров можно посмотреть на официальном сайте P.I.T. по ссылке: <https://pittools.ru/services/>

Хранение и транспортировка

Храните инструмент в закрытых помещениях с естественной вентиляцией в упаковке при температуре воздуха от 10°C до +50°C и влажности воздуха не более 80%.

Транспортировать продукцию можно любым видом закрытого транспорта в упаковке производителя или без нее, с сохранением изделия от механических повреждений, атмосферных осадков. Перед транспортировкой извлеките аккумулятор и сменный инструмент из инструмента.

Утилизация



Отслужившие свой срок электроинструменты, принадлежности и упаковку следует сдавать на экологически чистую переработку отходов.

Утилизируйте электроинструмент отдельно от бытового мусора!

Расшифровка Даты Изготовления Изделия

No.

| | | | | | | | | | |
|---|---|---|---|---|---|---|---|---|---|
| 0 | 0 | 0 | 0 | 0 | 0 | 0 | 0 | 0 | 0 |
|---|---|---|---|---|---|---|---|---|---|

Код продукта
Год
Месяц
Номер в партии

Дата изготовления изделия зашифрована в серийном номере, напечатанном на корпусе инструмента. Первые 2 цифры обозначают год выпуска, следующие 2 цифры – месяц.

УСЛОВИЯ ГАРАНТИЙНОГО ОБСЛУЖИВАНИЯ

1. Настоящее гарантийное свидетельство является единственным документом, подтверждающим ваше право на бесплатное гарантийное обслуживание. Без предъявления данного свидетельства претензии не принимаются. В случае утери или порчи гарантийное свидетельство не восстанавливается.

2. Гарантийный срок указан в гарантийном сертификате. В течение гарантийного срока сервисная служба бесплатно устраняет производственные дефекты и производит замену деталей, вышедших из строя по вине изготовителя. На период гарантийного ремонта эквивалентный исправный инструмент не предоставляется. Заменяемые детали переходят в собственность службы сервиса.

Компания Р.І.Т. не несет ответственности за вред, который может быть причинен при работе с электроинструментом.

3. В гарантийный ремонт инструмент принимается в чистом виде, при обязательном наличии надлежащим образом оформленных документов: настоящего гарантийного свидетельства, гарантийного талона, с полностью заполненными полями, штампом торговой организации и подписью покупателя.

4. Гарантийный ремонт не производится в следующих случаях:

- при отсутствии гарантийного свидетельства и гарантийного талона или неправильном их оформлении;
- стелень износа диаметра коллектора ротора двигателя превышает 0,4 мм (за исключением инструментов с бесщеточным двигателем);
- при совместном выходе из строя якоря и статора электродвигателя, при обугливание или оплавлении первичной обмотки трансформатора сварочного аппарата, зарядного или пуско-зарядного устройства, при оплавлении внутренних деталей, прожиге электронных плат и других случаях;
- если гарантийное свидетельство или талон не принадлежат данному электроинструменту или не соответствует установленному поставщиком образцу;
- по истечении срока гарантии;
- при попытках самостоятельного вскрытия или ремонта электроинструмента вне гарантийной мастерской;
- внесения конструктивных изменений и смазки инструмента в гарантийный период, о чем свидетельствуют, например, заломы на шлицевых частях крепежа корпусных деталей;
- при использовании электроинструмента в производственных или иных целях, связанных с получением прибыли, а также при возникновении неисправностей связанных с нестабильностью параметров электросети, превышающих нормы, установленные ГОСТ;
- при неправильной эксплуатации, использовании электроинструмента не по назначению, указанному в инструкции по эксплуатации, установки на электроинструмент не предназначенных заводом-изготовителем насадок, дополнительных приспособлений и т.п.;
- при механических повреждениях корпуса, сетевого шнура и при повреждениях, вызванных воздействием агрессивных средств и высоких и низких температур, попадании инородных предметов в венти-

ляционные решетки электроинструмента, а также при повреждениях, наступивших в результате неправильного хранения (коррозия металлических частей);

- при естественном износе деталей электроинструмента, в результате длительной эксплуатации (определяется по признакам полной или частичной выработки ресурса, сильного загрязнения, ржавчины снаружи и внутри электроинструмента, отработанной смазки в редукторе);
- при возникновении повреждений в связи с несоблюдением предусмотренных инструкцией условий эксплуатации (см. главу «Указание по технике безопасности» в инструкции).
- при повреждении изделия вследствие несоблюдения правил хранения и транспортировки;
- при сильном внутреннем загрязнении инструмента;
- при работе с перегрузкой бензоинструмента, изменении цвета чашки и муфты сцепления в результате перегрева;
- при обрыве шнура стартера при условии исправности остальных деталей пускового устройства;
- на все виды работ, выполняемые при периодическом техническом обслуживании (регулировки, чистке, замене расходных материалов и др.);
- на неисправности, возникшие в результате нарушения требований и правил эксплуатации, установленным паспортом изделия. Например, перегрев изделия, несоблюдение требований к составу и качеству топливной смеси, повлекших выход из строя поршневой группы (безусловным признаком этого является залегание поршневого кольца и/или наличие царапин и потертостей на внутренней поверхности цилиндра и поверхности поршня, разрушение или оплавление опорных подшипников шатуна и поршневого пальца);
- на внешние и внутренние загрязнения, царапины, трещины, повреждения, возникшие в процессе эксплуатации или транспортировки.
- при работе электроинструментом с перегрузкой и заклиниванием оснастки, о чем свидетельствуют задиры, изменение цвета от температуры упорных и прижимных шайб, зажимного патрона, выхода из строя редуктора.

Профилактическое обслуживание электроинструмента (чистка, промывка, смазка,

замена пыльников, поршневых и уплотнительных колец) в гарантийный период является платной услугой.

Срок службы изделия составляет 3 года.

Срок хранения – 2 года. Не рекомендуется к эксплуатации по истечении 2 лет хранения с даты изготовления, которая указана в серийном номере на этикетке инструмента, без предварительной проверки (определение даты выпуска смотрите ранее в Руководстве пользователя).

О возможных нарушениях, изложенных выше условий гарантийного обслуживания, владельцу сообщается после проведения диагностики в сервисном центре. Владелец инструмента доверяет проведение диагностики в сервисном центре в свое отсутствие.

Запрещается эксплуатация электроинструмента при проявлении признаков повышенного нагрева, искрения, а также шума в редукторной части. Для выяснения причин неисправности покупателю следует обратиться в гарантийную мастерскую.

Неисправности, вызванные несвоевременной заменой угольных щеток двигателя, устраняются за счет покупателя.

5.Гарантия не распространяется на:

- сменные принадлежности (аксессуары и оснастка), например: аккумуляторы, диски, ножи, сверла, буры, патроны, цепи, звездочки, цанговые зажимы, шины, элементы натяжения и крепления, головки триммеров, подошвы шлифовальных и ленточных машин, фильтры, головки шестигранные сменные насадки и т.п.

- быстроизнашивающиеся детали, например: угольные щетки, приводные ремни, сальники, защитные кожухи, направляющие ролики, направляющие, резиновые уплотнения, подшипники, зубчатые ремни и колеса, стволы, ленты тормоза, храповики и тросы стартеров, поршневые кольца и т.п.

Замена их в течение гарантийного срока является платной услугой.

- шнуры питания, в случае повреждения изоляции. В данном случае потребитель должен быть уведомлен и ремонт (услуга платная) должен быть выполнен после согласия потребителя. Если потребитель не согласен на замену, то в любом ремонте этого инструмента будет отказано. Факт отказа должен быть зафиксирован в гарантийном талоне или квитанции сервисного центра и подписан владельцем.

P.I.T. WARRANTY CERTIFICATE

Product Name _____

Product Serial Number Battery Serial Number Charger Serial Number

Sale Date _____

Trade Organization Name _____

Place of seal

Dear customer!

Thank you for purchasing the P.I.T. tool, and we hope that you will be satisfied with your choice. In the process of manufacturing the P.I.T. tools pass multilevel quality control, if nevertheless your product will need maintenance, please contact the authorized P.I.T. service centers.

Attention!

When buying, ask a seller to check the completeness and operability of the tool, to fill out the Warranty Certificate, the Warranty Card (the boxes shall be filled out by a seller) and to affix the seal of the trade organization in the Guarantee Certificate and the Warranty Card.

Warranty

By this Warranty Certificate, P.I.T. company guarantees the absence of defects of the production nature.

In the event any of the above defects are detected during the warranty period, the specialized P.I.T. service centers shall repair the product and replace the defective spare parts free of charge.

The warranty period for P.I.T. electric machines is 12 months from the date of sale.

“The warranty maintenance terms acknowledged and accepted. The operability and completeness of the product are checked in my presence. No claims on quality and appearance.”

Buyer's Signature _____ Surname (legibly) _____

Phone _____

ГАРАНТИЙНОЕ СВИДЕТЕЛЬСТВО НА ИНСТРУМЕНТ P.I.T.

Наименование изделия _____

Серийный номер изделия Серийный номер аккумулятора Серийный номер зарядного устройства

Дата продажи « ____ » _____

Наименование торговой организации _____

Уважаемый покупатель!



Благодарим Вас за покупку инструмента P.I.T. и надеемся, что Вы останетесь довольны своим выбором.

При необходимости обслуживания Вашего изделия обращайтесь в авторизованные сервисные центры P.I.T. Все сервисные центры представлены на сайте www.pittools.ru

Внимание!

При покупке требуйте у продавца проверки работоспособности инструмента и его комплектности, а также заполнения гарантийного свидетельства, гарантийного талона (графы «Заполняются продавцом») и простановки печати торговой организации в гарантийном свидетельстве и гарантийных талонах.

Гарантия

На основании данного гарантийного свидетельства компания P.I.T. гарантирует отсутствие дефектов производственного характера.

Если в течение гарантийного срока в Вашем изделии обнаружатся указанные дефекты, то специализированные сервисные центры P.I.T. бесплатно отремонтируют изделие и заменят дефектные запасные части.

Гарантийный срок на электроинструменты P.I.T. составляет 12 месяцев со дня продажи.

«С условиями гарантийного обслуживания ознакомлен(а). Работоспособность и комплектность изделия проверены в моем присутствии. Претензий к качеству и внешнему виду не имею».

Подпись покупателя _____ Фамилия (разборчиво) _____

Телефон _____

P.I.T. WARRANTY CARD

| | | | |
|---|--|--|---------------|
| Name _____ Serial Number _____ Sale Date _____ 20__ Date of Receipt from Repair _____ 20__ | P.I.T. | | № 1 |
| | Name _____ | | |
| | Serial Number _____ | | |
| | Sale Date _____ 20__ | | Place of Seal |
| | (Filled out by a Seller) | | |
| | WARRANTY REPAIR CARD | | |
| | Date of Acceptance for Repair _____ 20__ | | |
| | Application for Repair _____ | | |
| | Customer _____ | | |
| | Phone (Address) _____ | | |
| Cause of Application _____ | | | |
| Date of Receipt from Repair _____ 20__ | | | |
| The Tool is checked in my presence _____ | | | |
| (The Order shall be performed in a Service Center) (Signature) | | | |

| | | | |
|---|--|--|---------------|
| Name _____ Serial Number _____ Sale Date _____ 20__ Date of Receipt from Repair _____ 20__ | P.I.T. | | № 2 |
| | Name _____ | | |
| | Serial Number _____ | | |
| | Sale Date _____ 20__ | | Place of Seal |
| | (Filled out by a Seller) | | |
| | WARRANTY REPAIR CARD | | |
| | Date of Acceptance for Repair _____ 20__ | | |
| | Application for Repair _____ | | |
| | Customer _____ | | |
| | Phone (Address) _____ | | |
| Cause of Application _____ | | | |
| Date of Receipt from Repair _____ 20__ | | | |
| The Tool is checked in my presence _____ | | | |
| (The Order shall be performed in a Service Center) (Signature) | | | |

| | | | |
|---|--|--|---------------|
| Name _____ Serial Number _____ Sale Date _____ 20__ Date of Receipt from Repair _____ 20__ | P.I.T. | | № 3 |
| | Name _____ | | |
| | Serial Number _____ | | |
| | Sale Date _____ 20__ | | Place of Seal |
| | (Filled out by a Seller) | | |
| | WARRANTY REPAIR CARD | | |
| | Date of Acceptance for Repair _____ 20__ | | |
| | Application for Repair _____ | | |
| | Customer _____ | | |
| | Phone (Address) _____ | | |
| Cause of Application _____ | | | |
| Date of Receipt from Repair _____ 20__ | | | |
| The Tool is checked in my presence _____ | | | |
| (The Order shall be performed in a Service Center) (Signature) | | | |

ГАРАНТИЙНЫЙ ТАЛОН P.I.T.

P.I.T.

Талон № 1

Наименование _____

Серийный номер _____

Дата продажи « ____ » ____ 20__

(Заполняется продавцом)

КАРТА ГАРАНТИЙНОГО РЕМОНА

Дата приема ремонт ____ 20__

Заявка на ремонт _____

Заказчик _____

Телефон (адрес) _____

Причина обращения _____

Дата получения от ремонта ____ 20__

Инструмент проверен в моем присутствии _____

(Заказ заполняется в Сервисном Центре) (Подпись)

Место печати
или штампа

Наименование _____
 Серийный номер _____ 20__
 Дата продажи ____ 20__
 Дата получения от ремонта ____ 20__

P.I.T.

Талон № 2

Наименование _____

Серийный номер _____

Дата продажи « ____ » ____ 20__

(Заполняется продавцом)

КАРТА ГАРАНТИЙНОГО РЕМОНА

Дата приема ремонт ____ 20__

Заявка на ремонт _____

Заказчик _____

Телефон (адрес) _____

Причина обращения _____

Дата получения от ремонта ____ 20__

Инструмент проверен в моем присутствии _____

(Заказ заполняется в Сервисном Центре) (Подпись)

Место печати
или штампа

Наименование _____
 Серийный номер _____ 20__
 Дата продажи ____ 20__
 Дата получения от ремонта ____ 20__

P.I.T.

Талон № 3

Наименование _____

Серийный номер _____

Дата продажи « ____ » ____ 20__

(Заполняется продавцом)

КАРТА ГАРАНТИЙНОГО РЕМОНА

Дата приема ремонт ____ 20__

Заявка на ремонт _____

Заказчик _____

Телефон (адрес) _____

Причина обращения _____

Дата получения от ремонта ____ 20__

Инструмент проверен в моем присутствии _____

(Заказ заполняется в Сервисном Центре) (Подпись)

Место печати
или штампа

Наименование _____
 Серийный номер _____ 20__
 Дата продажи ____ 20__
 Дата получения от ремонта ____ 20__



P.I.T.

Media account



pit_global



PIT Global



YouTube PIT Global



+7 7073005064 +86 15305798923



bod@pit-tools.com



www.pit-tools.com/

TMby
ONLINE STORE

<https://tm.by>
Интернет-магазин