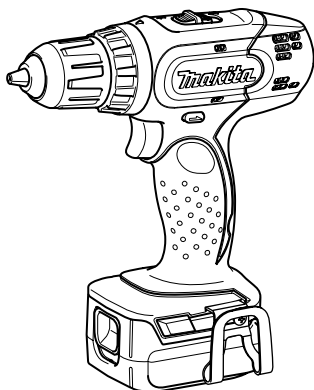
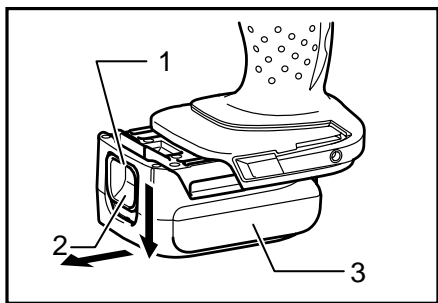


GB	Cordless Driver Drill	INSTRUCTION MANUAL
SI	Brezžični vijačni vrtalnik	NAVODILO ZA UPORABO
AL	Trapan me bateri	MANUALI I PËRDORIMIT
BG	Акумулаторна бормашина с винтоверт	РЪКОВОДСТВО ЗА ЕКСПЛОАТАЦИЯ
HR	Bežična udarna bušilica	PRIRUČNIK S UPUTAMA
MK	Безжична шрафцигер-дупчалка	УПАТСТВО ЗА УПОТРЕБА
RO	Mașină de găurit și înșurubat cu acumulator	MANUAL DE INSTRUCȚIUNI
RS	Бежична бушилица	УПУТСТВО ЗА УПОТРЕБУ
RUS	Аккумуляторная Дрель-шуруповерт	РУКОВОДСТВО ПО ЭКСПЛУАТАЦИИ
UA	Дриль із бездротовим приводом	ІНСТРУКЦІЯ З ЕКСПЛУАТАЦІЇ

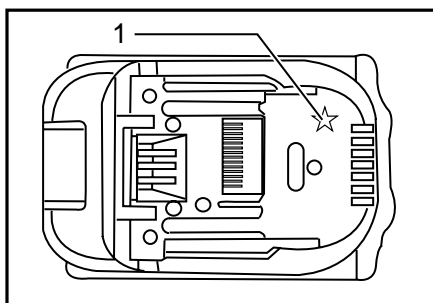
**DDF343**  
**DDF453**





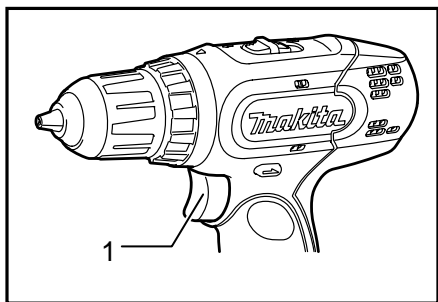
1

012153



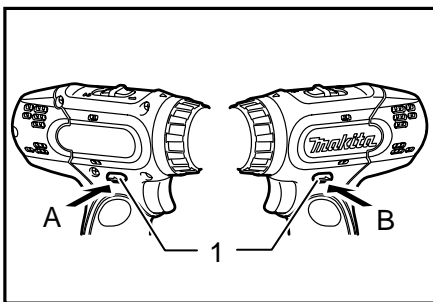
2

012128



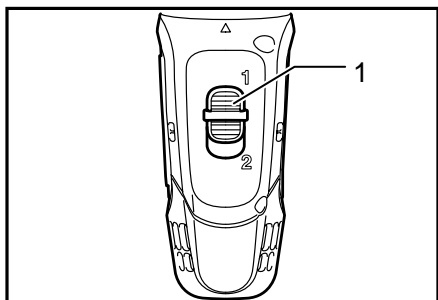
3

009077



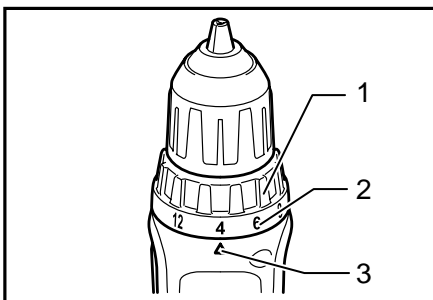
4

009078



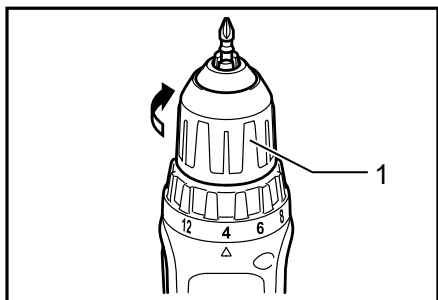
5

009079



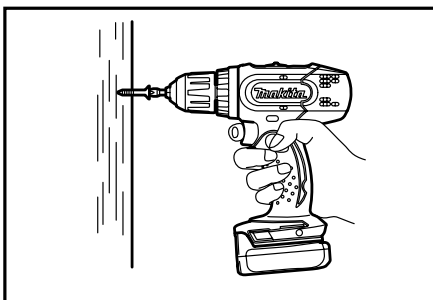
6

009080



7

009081



8

009082

2

**Explanation of general view**

1-1. Red indicator	3-1. Switch trigger	6-2. Graduation
1-2. Button	4-1. Reversing switch lever	6-3. Pointer
1-3. Battery cartridge	5-1. Speed change lever	7-1. Sleeve
2-1. Star marking	6-1. Adjusting ring	

**SPECIFICATIONS**

Model		DDF343	DDF453
Capacities	Steel	10 mm	13 mm
	Wood	25 mm	36 mm
	Wood screw	5.1 mm x 63 mm	6 mm x 75 mm
	Machine screw	6 mm	
No load speed (min <sup>-1</sup> )	High (2)	0 - 1,300	
	Low (1)	0 - 400	
Overall length		192 mm	214 mm
Net weight		1.4 kg	1.6 kg
Rated voltage		D.C. 14.4 V	D.C. 18 V

- Due to our continuing program of research and development, the specifications herein are subject to change without notice.
- Specifications and battery cartridge may differ from country to country.
- Weight, with battery cartridge, according to EPTA-Procedure 01/2003

**Intended use**

ENE034-1

ENG901-1

The tool is intended for drilling and screw driving in wood, metal and plastic.

**Noise**

ENG905-1

The typical A-weighted noise level determined according to EN60745:

**Model DDF343**

Sound pressure level ( $L_{pA}$ ): 70 dB (A) or less  
Uncertainty (K): 3 dB (A)

The noise level under working may exceed 80 dB (A)

**Model DDF453**

Sound pressure level ( $L_{pA}$ ): 72 dB (A)  
Uncertainty (K): 3 dB (A)

The noise level under working may exceed 80 dB (A)

**Wear ear protection**

ENG900-1

**Vibration**

The vibration total value (tri-axial vector sum) determined according to EN60745:

Work mode: drilling into metal  
Vibration emission ( $a_{h,D}$ ): 2.5 m/s<sup>2</sup> or less  
Uncertainty (K): 1.5 m/s<sup>2</sup>

- The declared vibration emission value has been measured in accordance with the standard test method and may be used for comparing one tool with another.
- The declared vibration emission value may also be used in a preliminary assessment of exposure.

**⚠WARNING:**

- The vibration emission during actual use of the power tool can differ from the declared emission value depending on the ways in which the tool is used.
- Be sure to identify safety measures to protect the operator that are based on an estimation of exposure in the actual conditions of use (taking account of all parts of the operating cycle such as the times when the tool is switched off and when it is running idle in addition to the trigger time).

**For European countries only**

ENH101-17

**EC Declaration of Conformity****Makita declares that the following Machine(s):**

Designation of Machine:

Cordless Driver Drill

Model No./ Type: DDF343,DDF453

Conforms to the following European Directives:  
2006/42/EC

They are manufactured in accordance with the following  
Standard or standardized documents:

EN60745

The Technical file in accordance with 2006/42/EC is  
available from:

Makita, Jan-Baptist Vinkstraat 2, 3070, Belgium

31.12.2013



000331

Yasushi Fukaya  
Director

Makita, Jan-Baptist Vinkstraat 2, 3070, Belgium

GEA010-1

## General Power Tool Safety Warnings

**⚠ WARNING** Read all safety warnings and all instructions. Failure to follow the warnings and instructions may result in electric shock, fire and/or serious injury.

**Save all warnings and instructions for future reference.**

GEB088-1

## CORDLESS DRIVER DRILL SAFETY WARNINGS

1. Use auxiliary handle(s), if supplied with the tool. Loss of control can cause personal injury.
2. Hold power tool by insulated gripping surfaces, when performing an operation where the cutting accessory may contact hidden wiring. Cutting accessory contacting a "live" wire may make exposed metal parts of the power tool "live" and could give the operator an electric shock.
3. Hold power tool by insulated gripping surfaces, when performing an operation where the fastener may contact hidden wiring. Fasteners contacting a "live" wire may make exposed metal parts of the power tool "live" and could give the operator an electric shock.
4. Always be sure you have a firm footing. Be sure no one is below when using the tool in high locations.
5. Hold the tool firmly.
6. Keep hands away from rotating parts.
7. Do not leave the tool running. Operate the tool only when hand-held.

8. Do not touch the drill bit or the workpiece immediately after operation; they may be extremely hot and could burn your skin.
9. Some material contains chemicals which may be toxic. Take caution to prevent dust inhalation and skin contact. Follow material supplier safety data.

## SAVE THESE INSTRUCTIONS.

### **⚠ WARNING:**

DO NOT let comfort or familiarity with product (gained from repeated use) replace strict adherence to safety rules for the subject product. MISUSE or failure to follow the safety rules stated in this instruction manual may cause serious personal injury.

ENC007-7

## IMPORTANT SAFETY INSTRUCTIONS

### FOR BATTERY CARTRIDGE

1. Before using battery cartridge, read all instructions and cautionary markings on (1) battery charger, (2) battery, and (3) product using battery.
2. Do not disassemble battery cartridge.
3. If operating time has become excessively shorter, stop operating immediately. It may result in a risk of overheating, possible burns and even an explosion.
4. If electrolyte gets into your eyes, rinse them out with clear water and seek medical attention right away. It may result in loss of your eyesight.
5. Do not short the battery cartridge:
  - (1) Do not touch the terminals with any conductive material.
  - (2) Avoid storing battery cartridge in a container with other metal objects such as nails, coins, etc.
  - (3) Do not expose battery cartridge to water or rain.

A battery short can cause a large current flow, overheating, possible burns and even a breakdown.

6. Do not store the tool and battery cartridge in locations where the temperature may reach or exceed 50 ° C (122 ° F).
7. Do not incinerate the battery cartridge even if it is severely damaged or is completely worn out. The battery cartridge can explode in a fire.
8. Be careful not to drop or strike battery.
9. Do not use a damaged battery.

## SAVE THESE INSTRUCTIONS.

## Tips for maintaining maximum battery life

1. **Charge the battery cartridge before completely discharged.**  
Always stop tool operation and charge the battery cartridge when you notice less tool power.
2. **Never recharge a fully charged battery cartridge.**  
Overcharging shortens the battery service life.
3. **Charge the battery cartridge with room temperature at 10 ° C - 40 ° C (50 ° F - 104 ° F).**  
Let a hot battery cartridge cool down before charging it.
4. **Charge the battery cartridge once in every six months if you do not use it for a long period of time.**

## FUNCTIONAL DESCRIPTION

### ⚠CAUTION:

- Always be sure that the tool is switched off and the battery cartridge is removed before adjusting or checking function on the tool.

### Installing or removing battery cartridge

#### Fig.1

- Always switch off the tool before installing or removing of the battery cartridge.
- To remove the battery cartridge, slide it from the tool while sliding the button on the front of the cartridge.
- To install the battery cartridge, align the tongue on the battery cartridge with the groove in the housing and slip it into place. Always insert it all the way until it locks in place with a little click. If you can see the red indicator on the upper side of the button, it is not locked completely. Install it fully until the red indicator cannot be seen. If not, it may accidentally fall out of the tool, causing injury to you or someone around you.
- Do not use force when installing the battery cartridge. If the cartridge does not slide in easily, it is not being inserted correctly.

### Battery protection system

#### (Lithium-ion battery with star marking)

#### Fig.2

Lithium-ion batteries with a star marking are equipped with a protection system. This system automatically cuts off power to the tool to extend battery life.

The tool will automatically stop during operation if the tool and/or battery are placed under one of the following conditions:

- **Overloaded:**  
The tool is operated in a manner that causes it to draw an abnormally high current.  
In this situation, release the trigger switch on the tool and stop the application that caused the tool to become overloaded. Then pull the trigger switch again to restart.  
If the tool does not start, the battery is overheated. In this situation, let the battery cool before pulling the trigger switch again.
- **Low battery voltage:**  
The remaining battery capacity is too low and the tool will not operate. In this situation, remove and recharge the battery.

## Switch action

Fig.3

### ⚠CAUTION:

- Before inserting the battery cartridge into the tool, always check to see that the switch trigger actuates properly and returns to the "OFF" position when released.

To start the tool, simply pull the switch trigger. Tool speed is increased by increasing pressure on the switch trigger. Release the switch trigger to stop.

## Reversing switch action

Fig.4

This tool has a reversing switch to change the direction of rotation. Depress the reversing switch lever from the A side for clockwise rotation or from the B side for counterclockwise rotation.

When the reversing switch lever is in the neutral position, the switch trigger cannot be pulled.

### ⚠CAUTION:

- Always check the direction of rotation before operation.
- Use the reversing switch only after the tool comes to a complete stop. Changing the direction of rotation before the tool stops may damage the tool.
- When not operating the tool, always set the reversing switch lever to the neutral position.

## Speed change

Fig.5


To change the speed, first switch off the tool and then slide the speed change lever to the "2" side for high speed or "1" side for low speed. Be sure that the speed change lever is set to the correct position before operation. Use the right speed for your job.


### ⚠CAUTION:

- Always set the speed change lever fully to the correct position. If you operate the tool with the speed change lever positioned halfway between the "1" side and "2" side, the tool may be damaged.
- Do not use the speed change lever while the tool is running. The tool may be damaged.

## Adjusting the fastening torque

Fig.6

The fastening torque can be adjusted in 17 steps by turning the adjusting ring so that its graduations are aligned with the pointer on the tool body. The fastening torque is minimum when the number 1 is aligned with the pointer, and maximum when the  marking is aligned with the pointer.

The clutch will slip at various torque levels when set at the number 1 to 16. The clutch is designed not to slip at the  marking.

Before actual operation, drive a trial screw into your material or a piece of duplicate material to determine which torque level is required for a particular application.

## ASSEMBLY

### ⚠CAUTION:

- Always be sure that the tool is switched off and the battery cartridge is removed before carrying out any work on the tool.

## Installing or removing driver bit or drill bit

Fig.7

Turn the sleeve counterclockwise to open the chuck jaws. Place the bit in the chuck as far as it will go. Turn the sleeve clockwise to tighten the chuck.

To remove the bit, turn the sleeve counterclockwise.

## OPERATION

### ⚠CAUTION:

- Always insert the battery cartridge all the way until it locks in place. If you can see the red part on the upper side of the button, it is not locked completely. Insert it fully until the red part cannot be seen. If not, it may accidentally fall out of the tool, causing injury to you or someone around you.

## Screwdriving operation

Fig.8

### ⚠CAUTION:

- Adjust the adjusting ring to the proper torque level for your work.

Place the point of the driver bit in the screw head and apply pressure to the tool. Start the tool slowly and then increase the speed gradually. Release the switch trigger as soon as the clutch cuts in.

### ⚠CAUTION:

- Make sure that the driver bit is inserted straight in the screw head, or the screw and/or bit may be damaged.


### NOTE:

- When driving wood screws, predrill pilot holes to make driving easier and to prevent splitting of the workpiece. See the chart.

Nominal diameter of wood screw (mm)	Recommended size of pilot hole (mm)
3.1	2.0 - 2.2
3.5	2.2 - 2.5
3.8	2.5 - 2.8
4.5	2.9 - 3.2
4.8	3.1 - 3.4
5.1	3.3 - 3.6
5.5	3.7 - 3.9
5.8	4.0 - 4.2
6.1	4.2 - 4.4

006421

## Drilling operation

First, turn the adjusting ring so that the pointer points to the  marking. Then proceed as follows.

### Drilling in wood

When drilling in wood, the best results are obtained with wood drills equipped with a guide screw. The guide screw makes drilling easier by pulling the bit into the workpiece.

### Drilling in metal

To prevent the bit from slipping when starting a hole, make an indentation with a center-punch and hammer at the point to be drilled. Place the point of the bit in the indentation and start drilling.

Use a cutting lubricant when drilling metals. The exceptions are iron and brass which should be drilled dry.

### CAUTION:

- Pressing excessively on the tool will not speed up the drilling. In fact, this excessive pressure will only serve to damage the tip of your bit, decrease the tool performance and shorten the service life of the tool.
- There is a tremendous force exerted on the tool/bit at the time of hole break through. Hold the tool firmly and exert care when the bit begins to break through the workpiece.
- A stuck bit can be removed simply by setting the reversing switch to reverse rotation in order to back out. However, the tool may back out abruptly if you do not hold it firmly.
- Always secure small workpieces in a vise or similar hold-down device.
- If the tool is operated continuously until the battery cartridge has discharged, allow the tool to rest for 15 minutes before proceeding with a fresh battery.

## MAINTENANCE

### CAUTION:

- Always be sure that the tool is switched off and the battery cartridge is removed before attempting to perform inspection or maintenance.
- Never use gasoline, benzine, thinner, alcohol or the like. Discoloration, deformation or cracks may result.

To maintain product SAFETY and RELIABILITY, repairs, any other maintenance or adjustment should be performed by Makita Authorized Service Centers, always using Makita replacement parts.

## OPTIONAL ACCESSORIES

### CAUTION:

- These accessories or attachments are recommended for use with your Makita tool specified in this manual. The use of any other accessories or attachments might present a risk of injury to persons. Only use accessory or attachment for its stated purpose.

If you need any assistance for more details regarding these accessories, ask your local Makita Service Center.

- Drill bits
- Screw bits
- Various type of Makita genuine batteries and chargers
- Automatic refreshing adapter
- Plastic carrying case

### NOTE:

- Some items in the list may be included in the tool package as standard accessories. They may differ from country to country.

1-1. Rdeči indikator	3-1. Sprožilno stikalo	6-2. Lestvica
1-2. Gumb	4-1. Preklopna ročica za obratno smer	6-3. Kazalec
1-3. Baterijski vložek	5-1. Ročica za spremembo hitrosti	7-1. Vložek
2-1. Oznaka z zvezdico	6-1. Nastavljajni obroč	

**TEHNIČNI PODATKI**

Model		DDF343	DDF453
Zmogljivosti	Jeklo	10 mm	13 mm
	Les	25 mm	36 mm
	Lesni vijak	5,1 mm x 63 mm	6 mm x 75 mm
	Strojni vijak	6 mm	
Hitrost brez obremenitve (min <sup>-1</sup> )	Visoko (2)	0 - 1.300	
	Nizko (1)	0 - 400	
Celotna dolžina		192 mm	214 mm
Neto teža		1,4 kg	1,6 kg
Nazivna napetost		D.C. 14,4 V	D.C. 18 V

- Zaradi našega nenehnega programa raziskav in razvoja si pridržujemo pravico do spremembe tehničnih podatkov brez obvestila.
- Tehnični podatki in baterijski vložki se lahko razlikujejo od države do države.
- Teža z baterijskim vložkom je v skladu z EPTA-postopkom 01/2003

ENE034-1

ENG901-1

**Namenska uporaba**

Orodje je namenjeno za vrтанje in vijachenje v les, kovino in plastiko.

ENG905-1

**Hrup**

Tipični, z A ocenjeni vrednosti hrupa glede na EN60745:

**Model DDF343**

Raven zvočnega tlaka ( $L_{pA}$ ) : 70 dB (A) ali manj  
Odstopanje (K) : 3 dB (A)

Nivo hrupa med delom lahko preseže 80 dB (A)

**Model DDF453**

Raven zvočnega tlaka ( $L_{pA}$ ) : 72 dB (A)  
Odstopanje (K) : 3 dB (A)

Nivo hrupa med delom lahko preseže 80 dB (A).

**Uporabljajte zaščito za sluh**

ENG900-1

**Vibracije**

Skupne vrednosti vibracij (vektorska vsota treh osi) po EN60745:

Delovni način: vrтанje v kovino  
Oddajanje tresljajev ( $a_{h,D}$ ) : 2,5 m/s<sup>2</sup> ali manj  
Odstopanje (K) : 1,5 m/s<sup>2</sup>

- Navedena vrednost oddajanja vibracij je bila izmerjena v skladu s standardnimi metodami testiranja in se lahko uporablja za primerjavo orodij.
- Navedena vrednost oddajanja vibracij se lahko uporablja tudi pri predhodni oceni izpostavljenosti.

**⚠ OPOZORILO:**

- Oddajanje vibracij med dejansko uporabo električnega orodja se lahko razlikuje od navedene vrednosti oddajanja, odvisno od načina uporabe orodja.
- Upravljalavec mora za lastno zaščito poznati varnostne ukrepe, ki temeljijo na oceni izpostavljenosti v dejanskih pogojih uporabe (upoštevajoč celoten delovni proces v trenutkih, ko je orodje izključeno in ko deluje v prostem teku z dodatkom časa sprožitve).

ENH101-7

**Samo za evropske države****ES Izjava o skladnosti**

**Družba Makita izjavlja, da je/so naslednji stroj/i:**

Oznaka stroja:

Brezžični vijaki vrtnalnik

Model št./vrsta: DDF343, DDF453



Je skladen z naslednjimi evropskimi direktivami:  
2006/42/ES

Izdelan v skladu z naslednjim standardom ali standardiziranimi dokumenti:

EN60745

Tehnična dokumentacija v skladu z direktivo 2006/42/ES je na voljo na:

Makita, Jan-Baptist Vinkstraat 2, 3070, Belgija

31.12.2013



000331

Yasushi Fukaya  
Direktor

Makita, Jan-Baptist Vinkstraat 2, 3070, Belgija

GEA010-1

## Splošna varnostna opozorila za električno orodje

**⚠ OPOZORILO** Preberite vsa varnostna opozorila in navodila. Neupoštevanje opozoril in navodil lahko vodi do električnega udara, požara, in/ali hudih telesnih poškodb.

**Shranite vsa opozorila in navodila za kasnejšo uporabo.**

GEB088-1

## VARNOSTNA OPOZORILA ZA BREŽIČNI VIJAČNIK IN VRTALNIK

1. Uporabite pomožne ročaje, če so dobavljeni z orodjem. Izguba nadzora lahko povzroči poškodbe oseb.
2. Če obstaja nevarnost, da bi z rezilnim orodjem prerezali skrito električno napeljavo, držite električno orodje na izoliranih držalnih površinah. Ob stiku z vodniki pod napetostjo dobijo napetost vsi neizolirani kovinski deli električnega orodja, zaradi česar lahko uporabnik utrpi električni udar.
3. Če obstaja nevarnost, da bi s pritrdilnim orodjem prerezali skrito električno napeljavo, držite električno orodje na izoliranih držalnih površinah. Ob stiku z vodniki pod napetostjo dobijo napetost vsi neizolirani kovinski deli električnega orodja, zaradi česar lahko pride do električnega udara.
4. Vedno zagotovite, da imate trden oprijem na podlagi, kjer stojite. Kadar uporabljate orodje na višini, se prepričajte, da spodaj ni nikogar.
5. Trdno držite orodje.
6. Ne približujte rok vrtečim se delom.
7. Orodja ne pustite delovati brez nadzora. Dovoljeno ga je uporabljati samo ročno.

8. Takoj po končani obdelavi se ne dotikajte vrtalnega nastavka ali obdelovanca; lahko sta zelo vroča in povzročita opekline kože.
9. Nekateri materiali vsebujejo kemikalije, ki so lahko strupene. Bodite previdni in preprečite vdihavanje prahu in stik s kožo. Upošteвайте varnostne podatke dobavitelja materiala.

## SHRANITE TA NAVODILA.

### ⚠ OPOZORILO:

NE dopustite si, da bi zaradi udobnejšega dela ali poznavanja izdelka (pridobljenega z večkratno uporabo) opustili striktno upoštevanje varnostnih pravil pri uporabi stroja. ZLORABA ali neupoštevanje varnostnih pravil v teh navodilih za uporabo lahko povzroči hude telesne poškodbe.

ENCO07-7

## POMEMBNA VARNOSTNA NAVODILA

### ZA BATERIJSKE VLOŽKE

1. Pred uporabo baterijskega vložka preberite vsa navodila in opozorilne oznake na (1) polnilniku akumulatorja, (2) akumulatorju in (3) izdelku, ki uporablja akumulator.
2. Ne razstavljajte baterijskega vložka.
3. Če se je čas delovanja občutno skrajšal, takoj prekinite z uporabo. V nasprotnem primeru je lahko rezultat pregretje, morebitne opekline in celo eksplozija.
4. Če pride elektrolit v oči, jih sperite s čisto vodo in takoj poiščite zdravniško pomoč. Posledica je lahko izguba vida.
5. Ne povzročite kratkega stika baterijskega vložka:
  - (1) Ne dotikajte se priključkov s kakršnim koli prevodnim materialom.
  - (2) Izogibajte se shranjevanju baterijskega vložka v posodo z drugimi kovinskimi predmeti kot so želblji, kovanci itn.
  - (3) Ne izpostavljajte baterijskega vložka vodi ali dežju.

Kratek stik akumulatorja lahko povzroči velik tok, pregretje, morebitne opekline in celo eksplozijo.

6. Ne shranjujte orodja in baterijskega vložka na lokacijah, kjer lahko temperatura doseže ali preseže 50 ° C (122 ° F).
7. Ne sežigajte baterijskega vložka, tudi če je hudo poškodovan ali v celoti izprazen. Baterijski vložek lahko v ognju eksplodira.
8. Bodite previdni, da vam akumulator ne pade in ga ne udarjate.
9. Ne uporabljajte poškodovanih akumulatorjev.

## SHRANITE TA NAVODILA.

## Nasveti za maksimalno življenjsko dobo akumulatorja

1. Napolnite baterijski vložek preden se v celoti izprazni.  
Ko opazite, da ima orodje manjšo moč, vedno ustavite delovanje orodja in napolnite baterijski vložek.
2. Nikoli znova ne polnite popolnoma napolnjenega baterijskega vložka.  
Prenapolnjenje skrajša življenjsko dobo akumulatorja.
3. Napolnite baterijski vložek pri sobni temperaturi med 10 ° C in 40 ° C (50 ° F - 104 ° F). Počakajte, da se vroč baterijski vložek pred polnjenjem ohladi.
4. Napolnite baterijski vložek enkrat vsakih šest mesecev, če ga ne uporabljate dlje časa.

## OPIS DELOVANJA

### ⚠️ POZOR:

- Pred vsako nastavitvijo ali pregledom delovanja orodja se prepričajte, da je le to izključeno in da je akumulatorska baterija odstranjena.

### Nameščanje ali odstranjevanje akumulatorske baterije

#### SI.1

- Vedno izklopite orodje, preden namestite ali odstranite akumulatorsko baterijo.
- Za odstranitev akumulatorske baterije iz orodja jo premaknite iz orodja, ob tem pa premaknite gumb na sprednji strani akumulatorske baterije.
- Za nameščanje baterije poravnajte jeziček na akumulatorski bateriji z urom na ohišju in potisnite akumulatorsko baterijo v ležišče. Akumulatorsko baterijo vstavite do konca, da se razločno zaskoči. Če vidite rdečo črto na zgornji strani gumba, ta ni popolnoma zaklenjen. Popolnoma namestite, tako da rdeča črta ni vidna. Če tega ne upoštevate, lahko baterija nepričakovano izpade iz orodja in poškoduje vas ali osebe v neposredni bližini.
- Akumulatorske baterije ne nameščajte na silo. Če akumulatorska baterija zlahka ne zdrsne noter, ni ustrezno vstavljena.

### Sistem za zaščito akumulatorja (litij-ionske akumulatorji z zvezdico)

#### SI.2

Litij-ionske akumulatorji so opremljene z zaščitnim sistemom. Ta sistem samodejno izklopi dovajanje električne energije v orodje, da bi podaljšal življenjsko dobo baterije.

Orodje se bo samodejno zaustavilo med delovanjem, če sta orodje in/ali baterija zamenjana pod naslednjimi pogoji:

- Preobremenjeno:  
Orodje deluje na način, ki povzroča, da povleče nenormalno visok tok.  
V tem primeru sprostite sprožilno stikalo na orodju in ustavite uporabo, ki povzroča preobremenjenost orodja. Za ponovni vklop nato ponovno povlecite sprožilno stikalo.  
Če se orodje ne vklopi, je akumulator pregret.  
V tem primeru pustite, da se akumulator ohladi, preden ponovno povlečete sprožilno stikalo.
- Nizka napetost akumulatorja:  
Preostala zmogljivost akumulatorja je prenizka in orodje ne bo delovalo. V tem primeru odstranite in napolnite akumulator.

## Delovanje stikala

### SI.3

#### **⚠️POZOR:**

- Preden vstavite akumulatorsko baterijo v orodje se vedno prepričajte, da je stikalo brezhibno in da se vrača v položaj za izklop (OFF), ko ga spustite.

Za zagon orodja povlecite sprožilno stikalo. Hitrost orodja se poveča za povečani tlak na sprožilnem stikalu. Za izklop orodja spustite sprožilno stikalo.

### Stikalo za preklop smeri vrtenja

#### SI.4

To orodje je opremljeno s preklopnikom za spremembo smeri vrtenja. Ročico preklopnika smeri vrtenja pritisnite v smeri A za vrtenje v smeri urinega kazalca in v smeri B za vrtenje v obratni smeri urinega kazalca.

Ko je preklopno stikalo v nevtralnem položaju, se glavnega stikala ne da premakniti.

#### **⚠️POZOR:**

- Pred obratovanjem vedno preverite smer vrtenja.
- Stikalo za spreminjanje smeri vrtenja uporabite šele, ko se stroj popolnoma ustavi. Če smer vrtenja spremenite, preden se stroj ustavi, se ta lahko poškoduje.
- Ko orodja ne uporabljate, vedno potisnite preklopno stikalo v nevtralen položaj.

### Spreminjanje hitrosti

#### SI.5



Če želite spremeniti hitrost vrtenja, stroj najprej izklopite, nato pa stikalo za spreminjanje hitrosti vrtenja nastavite v položaj »2« (visoko število vrtljajev) ali v položaj »1« (nizko število vrtljajev). Pred obratovanjem preverite, ali je stikalo za spreminjanje hitrosti vrtenja nastavljeno v pravičen položaj. Hitrost vrtenja prilagodite zahtevam dela.

#### **⚠️POZOR:**

- Stikalo za spreminjanje hitrosti vrtenja vedno potisnite v končni položaj. Če vklopite stroj, medtem ko je stikalo v vmesnem položaju med oznakama »1« in »2«, lahko pride do okvare stroja.
- Stikala za spreminjanje hitrosti vrtenja ne premikajte med delovanjem stroja. Stroj se lahko poškoduje.

### Nastavitev zateznega momenta

#### SI.6

Zatezni moment lahko nastavite v 17 stopnjah, tako da z vrtenjem nastavitvenega obroča poravnate ustrezno stopnjo s kazalko na ohišju orodja. Zatezni moment je najmanjši, ko je številka 1 poravnana s kazalko, in največji, ko je oznaka  poravnana z ustrezno kazalko. Sklopka bo zdrsnila pri različnih zateznih momentih, ko je nastavljena na številki od 1 do 16. Sklopka je zasnovana tako, da ne zdrsne pri oznaki .

Pred dejanskim delovanjem, privijte poskusni vijak v material ali v podoben kos, da ugotovite, kateri zatezni moment je potreben za določeno uporabo.

## MONTAŽA

#### **⚠️POZOR:**

- Pred vsako izvedbo dela na orodju se prepričajte, da je le to izključeno in da je akumulatorska baterija odstranjena.

### Vstavljanje in odstranjevanje vijačnih nastavkov in svedrov

#### SI.7

Razprite čeljusti vpenjalne glave tako, da zaporni obroč zavrtite v nasprotni smeri urnega kazalca. Vstavite sveder/vijačni nastavek v vpenjalno glavo in ga potisnite do konca. Zategnite vpenjalno glavo tako, da zaporni obroč zavrtite v smeri urnega kazalca.

Da odstranite sveder/vijačni nastavek, zaporni obroč zavrtite v nasprotni smeri urnega kazalca.

## DELOVANJE

#### **⚠️POZOR:**

- Vedno vstavite baterijski vložek do konca, da se zaskoči. Če je na zgornjem delu gumba vidno rdeče območje, akumulator ni pravilno zaskočen. Vstavite ga do konca, tako da rdeči del ne bo viden. V nasprotnem primeru lahko akumulator nehote izpade iz orodja in poškoduje vas ali osebe v vaši bližini.

### Vijačenje

#### SI.8

#### **⚠️POZOR:**

- Nastavitveni obroč nastavite na ustrezen zatezni moment.

Postavite konico vijačnega nastavka v glavo vijaka in pritisnite na stroj. Vijak začnite privijati počasi, nato postopoma povečujte hitrost. Ko se vklopi zdrсна sklopka, spustite stikalo za vklop.

#### **⚠️POZOR:**

- Pazite, da bo vijačni nastavek vstavljen naravnost v glavo vijaka. V nasprotnem primeru se vijak in/ali vijačni nastavek lahko poškodujeta.

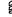
#### OPOMBA:

- Kadar privijate lesne vijake, najprej navrtajte uvodne luknje, ki poenostavijo privijanje in preprečijo cepljenje obdelovanca. Glejte tabelo.

Nazivni premer lesnega vijaka (mm)	Priporočena velikost vodilne luknje (mm)
3,1	2,0 - 2,2
3,5	2,2 - 2,5
3,8	2,5 - 2,8
4,5	2,9 - 3,2
4,8	3,1 - 3,4
5,1	3,3 - 3,6
5,5	3,7 - 3,9
5,8	4,0 - 4,2
6,1	4,2 - 4,4

006421

## Vrtanje

Najprej zavrtite nastavitveni obroč tako, da bo kazalec obrnjen proti oznaki . Nato nadaljujte, kot je opisano v nadaljevanju.

### Vrtanje v les

Pri vrtanju v les dosežete najboljše rezultate z lesnimi svedri, ki so opremljeni s centrirno konico. Centrirna konica olajša vrtanje, saj pospeši prodiranje svedra v les.

### Vrtanje v kovino

Pri vrtanju v kovine uporabite točkalo, s katerim si označite točko vrtanja in tako preprečite zdrs svedra ob začetku vrtanja. Na označeno točko postavite konico svedra in začnite vrtati.

Pri vrtanju v kovine uporabite hladilno-rezilno tekočino. Pri vrtanju v železo in medenino rezilna tekočina ni potrebna.

### POZOR:

- Čezmerno pritiskanje na stroj ne bo pospešilo napredovanja svedra med vrtanjem. Nasprotno, s čezmernim pritiskanjem se poškoduje konica svedra, kar zmanjša učinkovitost delovanja ter skrajša življenjsko dobo stroja.
- Po prevrtanju materiala delujejo na stroj oz. nastavek izjemno visoke sile. Stroj držite trdno in bodite pozorni na trenutek, ko sveder prodre skozi obdelovanec.
- Blokiran sveder preprosto sprostite tako, da s stikalom za izbiro smeri vrtenja spremenite smer vrtenja. Če stroja ne držite dovolj trdno, lahko nepričakovano odskoči.
- Majhne obdelovance vedno vpnite v primež ali jih pritrdite v vijlačno spono.
- Če orodje neprekinjeno deluje, dokler se akumulatorska baterija ne izprazni, pustite orodje 15 minut mirovati in šele nato nadaljujte z novo baterijo.

## VZDRŽEVANJE

### POZOR:

- Preden se lotite pregledovanja ali vzdrževanja orodja, se vedno prepričajte, da je orodje izklopljeno in akumulatorska baterija odstranjena.
- Nikoli ne uporabljajte bencina, razredčila, alkohola ali podobnega. V tem primeru se orodje lahko razbarva, deformira, lahko pa tudi nastanejo razpoke.

VARNO in ZANESLJIVO delovanje tega izdelka bo zagotovljeno le, če boste popravila, vzdrževanje in nastavitve prepustili pooblaščenemu servisu za orodja Makita, ki vgrajuje izključno originalne nadomestne dele.

## DODATNI PRIBOR

### POZOR:

- Ta dodatni pribor ali pripomočki so predvideni za uporabo z orodjem Makita, ki je opisano v teh navodilih za uporabo. Pri uporabi drugega pribora ali pripomočkov obstaja nevarnost telesnih poškodb. Dodatni pribor ali pripomočke uporabljajte samo za navedeni namen.

Za več informacij o dodatnem priboru in opremi se obrnite na najbližji pooblaščen Makita servis.

- Svedri
- Vijlačni nastavki
- Različne originalne Makita akumulatorske baterije in polnilniki
- Adapter za samodejno obnovo
- Plastičen kovček za prenašanje

### OPOMBA:

- Nekateri predmeti na seznamu so lahko priloženi orodju kot standardni pribor. Lahko se razlikuje od države do države.

**Shpjegim i pamies së përgjithshme**

1-1. Treguesi i kuq	3-1. Këmbëza e çelësit	6-1. Unaza rregulluese
1-2. Butoni	4-1. Leva për ndryshimin e lëvizjes në anën e kundërt	6-2. Gradimi
1-3. Kutia e baterisë	5-1. Leva për ndryshimin e shpejtësisë	6-3. Treguesi
2-1. Shënim me yll		7-1. Bokulla

**SPECIFIKIMET**

Modeli		DDF343	DDF453
Kapacitetet	Çelik shpimi	10 mm	13 mm
	Dru	25 mm	36 mm
	Vidë druri	5,1 mm x 63 mm	6 mm x 75 mm
	Vida e makinerisë	6 mm	
Shpejtësia pa ngarkesë (min <sup>-1</sup> )	E lartë (2)	0 - 1300	
	E ulët (1)	0 - 400	
Gjatësia e përgjithshme		192 mm	214 mm
Pesha neto		1,4 kg	1,6 kg
Tensioni nominal		DC 14,4 V	DC 18 V

• Për shkak të programit tonë të vazhdueshëm të kërkim-zhvillimit, specifikimet e përmendura këtu mund të ndryshojnë pa njoftim paraprak.

• Specifikimet dhe kutia e baterisë mund të ndryshojnë nga njëri shtet në tjetrin.

• Pesha me kutinë e baterisë sipas procedurës EPTA 01.2003

ENE9034-1

ENG901-1

**Përdorimi i synuar**

Pajisja është synuar për shpim dhe vendosje të vidave në dru, metal dhe plastikë.

ENG905-1

**Zhurma**

Niveli tipik i zhurmës A, i matur sipas EN60745:

**Modeli DDF343**

Niveli I presionit të zërit ( $L_{pA}$ ): 70 dB (A) ose më i ulët

Pasiguria (K) : 3 dB (A)

Niveli I zhurmës gjatë punës mund të tejkalojë 80 dB (A)

**Modeli DDF453**

Niveli i presionit të zërit ( $L_{pA}$ ): 72 dB (A)

Pasiguria (K) : 3 dB (A)

Niveli i zhurmës mund të tejkalojë 80 dB (A).

**Mbani mbrojtëse për veshët**

ENG900-1

**Dridhjet**

Vlera totale e dridhjeve (shuma e vektorit me tre akse) përcaktohet sipas EN60745:

Regjimi i punës: shpimi në metal

Emetimi i dridhjeve ( $a_{h,D}$ ): 2,5 m/s<sup>2</sup> ose më pak

Pasiguria (K) : 1,5 m/s<sup>2</sup>

**⚠️ PARALAJMËRIM:**

- Emetimet e dridhjeve gjatë përdorimit aktual të veglës elektrike mund të ndryshojnë nga vlerat e deklaruar të emetimeve në varësi të mënyrave sesi përdoret vegla.
- Sigurohuni që të identifikoni masat e sigurisë për mbrojtjen e përdoruesit, që bazohen në vlerësimin e ekspozimit ndaj kushteve aktuale të përdorimit (duke marrë parasysh të gjitha pjesët e ciklit të funksionimit si ato kur vegla është e fikur dhe punon pa prerë, ashtu edhe kohën e përdorimit).

ENH101-17

**Vetëm për shtetet evropiane****Deklarata e konformitetit me KE-në****Makita deklaron që makineria(të) e mëposhtme:**

Emërtimi i makinerisë:

Trapan me bateri

Nr. i modelit/ Lloji: DDF343,DDF453

**Pajtohet me direktivën evropiane të mëposhtme:**  
2006/42/KE

Ato janë prodhuar konform standardit ose dokumenteve të standardizuara si vijon:

EN60745

Skedari teknik konform direktivës 2006/42/KE disponohet nga:

Makita, Jan-Baptist Vinkstraat 2, 3070, Belgjikë

31.12.2013



000331

Yasushi Fukaya  
Drejtor

Makita, Jan-Baptist Vinkstraat 2, 3070, Belgjikë

GEA010-1

## Paralajmërimet e përgjithshme për sigurinë e veglës

**△ PARALAJMËRIM** Lexoni të gjitha paralajmërimet dhe udhëzimet për sigurinë. Mosndjekja e paralajmërimeve dhe udhëzimeve mund të rezultojë në goditje elektrike, zjarr dhe/ose dëmtim serioz.

**Ruajini të gjitha paralajmërimet dhe udhëzimet për të ardhmen.**

GEB088-1

## PARALAJMËRIME SIGURIE PËR TRAPANIN ME BATERI

1. Përdorni dorezën(at) ndihmëse nëse jepen bashkë me pajisjen. Humbja e kontrollit mund të shkaktojë dëmtime personale.
2. Mbajeni veglën elektrike te sipërfaqet kapëse të izoluar kur të jeni duke kryer një veprim në të cilin aksesorit prerës mund të prekë tela të fshehura. Nëse aksesorit prerës prek një tel me rrymë atëherë pjesët metalike të veglës elektrike elektrizohen dhe mund të shkaktojnë goditje elektrike te punëtori.
3. Mbajeni pajisjen elektrike te sipërfaqet e izoluar kapëse kur të jeni duke kryer një veprim në të cilin mbërthyesi mund të kontaktojë me tela të fshehur. Nëse mbërthyesit prekin një tel me rrymë atëherë pjesët metalike të pajisjes elektrike elektrizohen dhe mund t'i japin punëtorit goditje elektrike.
4. Gjithmonë sigurohuni që të keni mbështetje të qëndrueshme të këmbëve. Sigurohuni që të mos ketë njeri poshtë ndërkohë që e përdorni pajisjen në vende të larta.
5. Mbajeni fort pajisjen.
6. Mbajini duart larg pjesëve rrotulluese.

7. Mos e lini veglën të ndezur. Përdoreni veglën vetëm duke e mbajtur në dorë.
8. Mos e prekni puntën e shpimit menjëherë pas punës; mund të jetë shumë i nxehtë dhe mund t'ju djegë lëkurën.
9. Disa materiale përbajnë kimikate që mund të jenë toksike. Kini kujdes që të parandaloni thithjen e pluhurave dhe kontaktin me lëkurën. Ndiqni të dhënat e sigurisë nga furnizuesi i materialit.

## RUAJINI KËTO UDHËZIME.

### △ PARALAJMËRIM:

MOS lejoni që njohja ose familjarizimi me produktin (të fituara nga përdorimi i shpeshtë) të zëvendësojnë zbatimin me përpikëri të rregullave të sigurisë për produktin në fjalë. KEQPËRDORIMI ose mosndjekja e rregullave të sigurisë të dhëna në këtë manual përdorimi mund të shkaktojë dëmtime personale serioze.

ENCO07-7

## UDHËZIME TË RËNDËSISHME PËR SIGURINË.

### PËR KUTINË E BATERISË

1. Përpara se ta përdorni kutinë e baterisë, lexoni të gjitha udhëzimet dhe shënimet e masave parandaluese të (1) ngarkuesit i baterisë, (2) bateria dhe (3) produkti që përdor baterinë.
  2. Mos e hiqni kutinë e baterisë.
  3. Nëse koha e përdorimit është shkurtuar jashtë mase, ndalojeni punën menjëherë. Kjo mund të rezultojë në rrezik mbinxhejeje, djegie të mundshme, madje edhe shpërthim.
  4. Nëse ju futen elektrolitit në sy, shpëlajini sytë me ujë të pastër dhe kërkoni ndihmë mjekësore menjëherë. Kjo gjë mund të rezultojë në humbje të shikimit.
  5. Mos bëni lidhje të shkurtër me kutinë e baterisë:
    - (1) Mos i prekni polet me materiale të tjera përcjellëse.
    - (2) Shmangni ruajtjen e kutisë së baterisë në një kuti me objekte të tjera metalike, si gozhdë, monedha etj.
    - (3) Mos e ekspozoni kutinë e baterisë në ujë ose shi.
- Qarku i shkurtër i baterisë mund të shkaktojë qarkullim të madh të rrymës elektrike, mbinxheje, djegie të mundshme dhe madje prishje.
6. Mos e ruani pajisjen dhe kutinë e baterisë në vende ku temperatura mund të arrijë ose tejkalojë 50 ° C (122 ° F).

7. Mos e digni kutinë e baterisë, edhe nëse është shumë e dëmtuar ose është konsumuar plotësisht. Kutia e baterisë mund të shpërthejë në zjarr.
8. Bëni kujdes që të mos e rrëzoni ose ta godisni baterinë.
9. Mos përdorni bateri të dëmtuar.

## RUAJINI KËTO UDHËZIME.

### Këshilla për të ruajtur jetëgjatësinë maksimale të baterisë

1. Ngarkojeni baterinë përpara se të shkarkohet plotësisht. Gjithmonë ndaloni punën me pajisjen dhe ngarkoni baterinë kur vëreni ulje të fuqisë së pajisjes.
2. Asnjëherë mos e ringarkoni baterinë e ngarkuar plotësisht. Mbingarkimi shkurton jetëgjatësinë e shërbimit të baterisë.
3. Ngarkojeni baterinë në temperaturën e dhomës në 10 ° C-40 ° C (50 ° F - 104 ° F). Lëreni kutinë e nxehtë të baterisë të ftohet përpara se ta ngarkoni atë.
4. Ngarkojeni baterinë një herë në gjashtë muaj nëse nuk e përdorni për një kohë të gjatë.

## PËRSHKRIMI I PUNËS

### △KUJDES:

- Sigurohuni gjithmonë që vegla të jetë e fikur dhe kutia e baterisë të jetë hequr përpara se ta regulloni apo t'i kontrolloni funksionet e veglës.

### Instalimi ose heqja e kutisë së baterisë

#### Fig.1

- Fikeni gjithmonë veglën përpara se të instaloni ose hiqni kutinë e baterisë.
- Për të hequr kutinë e baterisë, rrëshqiteni atë nga vegla ndërsa rrëshqisni butonin në pjesën e përparme të kutisë së baterisë.
- Për të vendosur kutinë e baterisë bashkoni gjuhëzën e kutisë së baterisë me kanalën e folesë dhe rrëshqiteni për ta futur. Futeni gjithmonë deri në fund, derisa të kërcasë dhe të bllokohet në vend. Nëse shikoni treguesin e kuq në anën e sipërme të butonit, ajo nuk është e bllokuar plotësisht. Instalojeni plotësisht derisa treguesi i kuq të mos shihet. Nëse jo, ajo mund të bjerë aksidentalisht nga vegla duke ju lënduar ju ose personat pranë.
- Mos përdorni forcë gjatë instalimit të kutisë së baterisë. Nëse kutia nuk hyn lehtë, nuk po e futni siç duhet.

### Sistemi i mbrojtjes së baterisë (bateri litiumi e shënuar me yll)

#### Fig.2

Bateritë e litiumit të shënuara me yll janë të pajisura me një sistem mbrojtjeje. Ky sistem ndërpret automatikisht energjinë në vegël për të zgjatur jetëgjatësinë e baterisë. Vegla do të ndalojë automatikisht gjatë punës nëse vegla dhe/ose bateria janë vendosur sipas një prej kushteve të mëposhtme:

- I mbingarkuar:  
Vegla përdoret në një mënyrë që e bën atë të marrë rrymë të lartë anormale. Në këtë situatë, lëshoni çelësin në vegël dhe ndaloni aplikacionin që shkaktoi mbingarkesën e veglës. Më pas tërhiqni përsëri çelësin për të rifilluar.  
Nëse vegla nuk ndizet, bateria është e mbinxehur. Në këtë situatë, lëreni baterinë të ftohet përpara se ta tërhiqni përsëri çelësin.
- Tension i ulët i baterisë:  
Kapaciteti i mbetur i baterisë është shumë i ulët dhe vegla nuk do të punojë. Në këtë situatë, hiqni dhe ngarkoni baterinë.

## Veprimi i ndërrimit

### Fig.3

#### △KUJDES:

- Përpara se ta vendosni kutinë e baterisë në vegël, kontrolloni gjithmonë për të parë nëse çelësi është në pozicionin e duhur dhe nëse kthehet në pozicionin "OFF" (fikur) kur lëshohet.

Për ta ndezur veglën, thjesht tërhiqni çelësin. Shpejtësia e veglës rritet duke rritur presionin në çelës. Lëshoni çelësin për ta ndaluar.

## Çelësi i ndryshimit të veprimit

### Fig.4

Vegla ka një çelës ndryshimi për të ndryshuar drejtimin e rrotullimit. Shtypni levën e çelësit të ndryshimit nga ana A për rrotullimin në drejtimin orar ose nga ana B për rrotullimin në drejtimin kundërorar.

Kur leva e çelësit të ndryshimit është në pozicionin neutral, çelësi nuk mund të tërhiqet.

#### △KUJDES:

- Kontrolloni gjithmonë drejtimin e rrotullimit përpara përdorimit.
- Përdorni çelësin e ndryshimit vetëm pasi vegla të ndalojë plotësisht. Ndryshimi i drejtimin të rrotullimit përpara se të ndalojë vegla mund të dëmtojë veglën.
- Kur nuk e përdorni veglën, vendoseni gjithmonë levën e çelësit të ndryshimit në pozicionin neutral.

## Ndryshimi i shpejtësisë

### Fig.5

Për të ndryshuar shpejtësinë, në fillim fikni veglën dhe më pas rrëshqisni levën e ndryshimit të shpejtësisë në anën "2" për shpejtësi të lartë ose në anën "1" për shpejtësi të ulët. Sigurohuni që leva e ndryshimit të shpejtësisë është vendosur në pozicionin e duhur përpara përdorimit. Përdorni shpejtësinë e duhur për punën tuaj.

#### △KUJDES:

- Vendosni gjithmonë shulin e ndërrimit të shpejtësisë në pozicionin e duhur. Nëse përdorni veglën duke vendosur levën e ndryshimit të shpejtësisë midis anës "1" dhe "2", vegla mund të dëmtohet.
- Mos e përdorni levën e ndryshimit të shpejtësisë ndërsa është duke punuar. Vegla mund të dëmtohet.

## Rregullimi i rrotullimit shtrëngues

### Fig.6

Rrotullimi shtrëngues mund të rregullohet me 17 hapa duke kthyer unazën rregulluese në mënyrë që gradimet e saj të jenë bashkërenditur me shigjetën në trupin e veglës. Rrotullimi shtrëngues është minimal kur shigjeta tregon numrin 1 dhe maksimal kur shenja e 16 është në një drejtim me shigjetën.

Shtrëngimi do të rrëshqasë në nivele të ndryshme të rrotullimit kur vendoset nga numri 1 deri në 16. Shtrëngimi është projektuar që të mos rrëshqasë në shenjën 16.

Përpara se të filloni punë fusni një vidë për provë në materialin tuaj të punës ose një material identik me të për të përcaktuar se cili nivel rrotullimi kërkohet për një aplikim të caktuar.

## MONTIMI

#### △KUJDES:

- Sigurohuni gjithmonë që vegla të jetë e fikur dhe kutia e baterisë të jetë hequr përpara se të kryeni ndonjë punë në vegël.

## Instalimi ose heqja e puntos së vidhosjes ose puntos së shpimit

### Fig.7

Ktheni bokullën në drejtimin kundërorar për të hapur nofultat e mandrinës. Vendosni puntan në mandrinë deri në fund. Ktheni bokullën në drejtimin orar për të shtrënguar mandrinën.

Për të hequr puntan, ktheni bokullën në drejtimin kundërorar.

## PËRDORIMI

#### △KUJDES:

- Futeni gjithmonë kutinë e baterisë derisa të arrijë deri në fund. Nëse shikoni treguesin e kuq në anën e sipërme të butonit, ajo nuk është bllokuar plotësisht. Instalojeni plotësisht derisa pjesa e kuqe të mos shihet. Nëse jo, ajo mund të bjerë aksidentalisht nga vegla duke ju lënduar ju ose personat pranë.

## Funksionimi i vidhosjes

### Fig.8

#### △KUJDES:

- Rregulloni unazën rregulluese në nivelin e duhur të rrotullimit për punën tuaj.

Vendosni majën e puntos së lëshimit në kokën e vidës dhe ushtroni presion në vegël. Ndizni veglën ngadalë dhe më pas rrisni gradualisht shpejtësinë. Lëshoni çelësin sapo shtrëngimi të aktivizohet.

#### △KUJDES:

- Sigurohuni që puntaja futet drejt në kokën e vidës ose vida dhe/ose puntaja mund të dëmtohet.

## SHËNIM:

- Gjatë vendosjes së vidave në dru, shpiti paraprakisht vrima pilot për të bërë vidhosjen më të lehtë dhe për të parandaluar çarjen e materialit të punës. Shikoni tabelën.



# MIRËMBAJTJA

## △KUJDES:

- Sigurohuni gjithmonë që vegla të jetë fikur dhe të jetë hequr nga bateria përpara se të kryeni inspektimin apo mirëmbajtjen.
- Mos përdorni kurrë benzinë, benzinë pastrimi, hollues, alkool dhe të ngjashme. Mund të shkaktoni çngjyrosje, deformime ose krisje.

Për të ruajtur SIGURINË dhe QËNDRUESHMËRINË, riparimet dhe çdo mirëmbajtje apo rregullim tjetër duhen kryer nga qendrat e autorizuar të shërbimit të Makita-s, duke përdorur gjithnjë pjesë këmbimi të Makita-s.

## AKSESORË OPSIONALË

### △KUJDES:

- Këta aksesore ose shtojca rekomandohen për përdorim me veglën Makita të përcaktuar në këtë manual. Përdorimi i aksesoreve apo shtojcave të tjera ndryshe nga këto mund të përbëjë rrezik lëndimi. Aksesorët ose shtojcat përdorini vetëm për qëllimin e tyre të përcaktuar.

Nëse keni nevojë për më shumë të dhëna në lidhje me aksesorët, pyesni qendrën vendore të shërbimit të Makita-s.

- Puntot e shpimit
- Maja e vidës
- Lloje të ndryshme baterish dhe ngarkuesish origjinale Makita
- Përshtatës që rifikohet automatikisht
- Kutia mbajtëse plastike

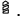
### SHËNIM:

- Disa artikuj të listës mund të përfshihen në paketën e veglës si aksesore standardë. Ato mund të ndryshojnë nga njëri shtet në tjetrin.

Diametri nominal i vidës për dru (mm)	Madhësia e rekomanduar e vrimës drejtuese (mm)
3,1	2,0 - 2,2
3,5	2,2 - 2,5
3,8	2,5 - 2,8
4,5	2,9 - 3,2
4,8	3,1 - 3,4
5,1	3,3 - 3,6
5,5	3,7 - 3,9
5,8	4,0 - 4,2
6,1	4,2 - 4,4

006421

## Funksionimi i shpimit

Së pari ktheni unazën rregulluese në mënyrë që shigjeta në trupin e veglës të tregojë drejt shenjës . Më pas procedoni si më poshtë.

### Shpimi në dru

Gjatë shpimit në dru arrihen rezultate më të mira me përdorimin e puntove për dru me vidë udhëzuese. Vida udhëzuese lehtëson shpimin sepse tërheq puntont në objekt.

### Shpimi në metal

Për të parandaluar daljen e puntos kur bëni një vrimë, bëni një shenjë me bulino dhe çekiç në vendin ku do të shpohet. Pastaj në vendin e shënuar vendosni puntont dhe filloni shpimin.

Gjatë shpimit të metalit përdorni lubrifikuesin për prerje. Përfundim bën shpimi i hekurit dhe bronzi që duhet të shpohen në të thatë.

### △KUJDES:

- Shtypja e tepërt e veglës nuk do të shpejtojë shpimin. Në fakt, shtypja e madhe do të dëmtojë majën e puntos, zvogëlon efikasitetin e veglës dhe shkurton afatin e përdorimit të veglës.
- Gjatë depërtimit të puntos në anën e kundërt të objektit mbi vegël/majë ushtrohet një forcë e madhe shpuese. Mbajeni veglën fort dhe bëni kujdes kur puntota fillon të depërtojë përmes objektit që po punohet.
- Një punto e ngecur mund të hiqet thjesht duke vendosur çelësin e ndryshimit në rrotullimin e anasjelltë për ta nxjerrë jashtë. Megjithatë, vegla mund të dalë papritmas nëse nuk e mbani fort.
- Siguroni gjithmonë që objektet më të vogla të përpunohen në morsë ose pajisje të ngjashme për shtërëngim.
- Nëse vegla përdoret në mënyrë të vazhdueshme derisa bateria të shkarkohet, mos e përdorni veglën për 15 minuta derisa të vazhdoni me një bateri të re.

1-1. Червен индикатор	4-1. Превключвател на посоката на въртене	6-2. Скала
1-2. Бутон		6-3. Курсор
1-3. Акумулатор	5-1. Превключвател на скоростта на въртене	7-1. Пръстен на безключов патронник
2-1. Маркировка звезда		
3-1. Пусков прекъсвач	6-1. Регулиращ пръстен	

## СПЕЦИФИКАЦИИ

Модел		DDF343	DDF453
Технически възможности	Стомана	10 мм	13 мм
	Дърво	25 мм	36 мм
	Винт за дърво	5.1 мм x 63 мм	6 мм x 75 мм
	Машинен винт	6 мм	
Обороти без товар (мин <sup>-1</sup> )	Високо (2)	0 - 1 300	
	Ниско (1)	0 - 400	
Обща дължина		192 мм	214 мм
Нето тегло		1.4 кг	1.6 кг
Номинално напрежение		Постоянно напрежение 14.4 V	Постоянно напрежение 18 V

- Поради нашата непрекъсната научно-развойна дейност посочените тук спецификации могат да бъдат променени без предизвестие.
- Спецификациите и акумулаторите могат да са различни в различните държави.
- Тегло, с акумулатор, съгласно Процедурата EPTA 01/2003

ENE034-1

ENG901-1

### Предназначение

Инструментът е предназначен за пробиване и завиване на винтове в дърво, метал и пластмаса.

ENG905-1

### Шум

Обичайното средно претеглено ниво на шума, определено съгласно EN60745:

#### Модел DDF343

Ниво на звуково налягане ( $L_{pA}$ ): до 70 dB (A)

Коефициент на несигурност (K): 3 dB (A)

Нивото на шума при работа може да надвиши 80 dB (A).

#### Модел DDF453

Ниво на звуково налягане ( $L_{pA}$ ): 72 dB (A)

Коефициент на несигурност (K): 3 dB (A)

Нивото на шума при работа може да надвиши 80 dB (A).

### Използвайте антифони

ENG900-1

### Вибрации

Общата стойност на вибрациите (сума от три осови вектора), определена съгласно EN60745:

Работен режим: пробиване в метал

Ниво на вибрациите ( $a_{h,D}$ ): 2.5 м/с<sup>2</sup> или по-малко

Коефициент на несигурност (K): 1.5 м/с<sup>2</sup>

- Обявеното ниво на вибрациите е измерено в съответствие със стандартни методи за изпитване и може да се използва за сравняване на инструменти.
- Освен това, обявеното ниво на вибрациите може да се използва за предварителна оценка на вредното въздействие.

### ⚠ ПРЕДУПРЕЖДЕНИЕ:

- Нивото на вибрациите при работа с електрическия инструмент може да се различава от обявената стойност в зависимост от начина на използване на инструмента.
- Задължително определете предпазни мерки за защита на оператора въз основа на оценка на риска в реални работни условия (като се вземат предвид всички съставни части на работния цикъл, като например момента на изключване на инструмента, работата на празен ход, както и времето на задействане).

Само за страните от ЕС

## ЕО Декларация за съответствие

**Makita** декларира, че следната/ите машина/и:

Наименование на машината:

Акумулаторна бормашина с винтоверт

Модел №/ Тип: DDF343,DDF453

**Съответстват на изискванията на следните европейски директиви:**

2006/42/ЕО

Произведение са в съответствие със следния Стандарт или стандартизирани документи:

EN60745

Съгласно 2006/42/ЕС, файлът с техническа информация е достъпен от:

Makita, Jan-Baptist Vinkstraat 2, 3070, Белгия

31.12.2013



000331

Ясуши Фукайа

Директор

Makita, Jan-Baptist Vinkstraat 2, 3070, Белгия

GEA010-1

## Общи предупреждения за безопасност при работа с електрически инструменти

**⚠ ПРЕДУПРЕЖДЕНИЕ** Прочетете всички предупреждения за безопасност и всички инструкции. При неспазване на предупрежденията и инструкциите има опасност от токов удар, пожар и/или тежко нараняване.

**Запазете всички предупреждения и инструкции за справка в бъдеще.**

ГЕВ088-1

## ПРЕДУПРЕЖДЕНИЯ ЗА БЕЗОПАСНА РАБОТА С БЕЗЖИЧНА БОРМАШИНА

1. Използвайте помощната дръжка(и), ако е доставена с инструмента. Загубата на контрол може да причини нараняване.
2. Дръжте електрическия инструмент за изолираните и нехлъзгави повърхности, когато има опасност режещият диск да допре в скрити кабели. Ако режещият диск допре до проводник под напрежение, токът може да премине през металните части на инструмента и да „удари“ работещия.

3. Дръжте електрическия инструмент за изолираните и нехлъзгави повърхности, когато има опасност крепежът да допре в скрити кабели. Ако крепежът допре до проводник под напрежение, токът може да премине през металните части на инструмента и да „удари“ работещия.
4. Бъдете винаги сигурни, че имате здрава опора под краката си. Ако използвате инструмента на високо се убедете, че отдолу няма никой.
5. Дръжте инструмента здраво.
6. Дръжте ръцете си далеч от въртящите се части.
7. Не оставяйте инструмента да работи без надзор. Инструментът трябва да работи, само когато го държите в ръце.
8. Не докосвайте свредлата непосредствено след работа, защото могат да са много горещи и да изгорят кожата ви.
9. Някои материали съдържат химикали, които могат да са токсични. Вземете предпазни мерки, за да предотвратите вдишването на прах и контакта с кожата. Следвайте информацията на доставчика на материал за безопасната работа с него.

## ЗАПАЗЕТЕ НАСТОЯЩИТЕ ИНСТРУКЦИИ.

### ⚠ ПРЕДУПРЕЖДЕНИЕ:

НЕ позволявайте успокоението от познаването на продукта (придобито при дългата му употреба) да замени стриктното спазване на правилата за безопасност за въпросния продукт. НЕПРАВИЛНАТА УПОТРЕБА и неспазването на правилата за безопасност, посочени в настоящото ръководство за експлоатация, могат да доведат до тежки наранявания.

ENC007-7

## ВАЖНИ ИНСТРУКЦИИ ЗА БЕЗОПАСНОСТ

### ЗА АКУМУЛАТОРИТЕ

1. Преди да използвате акумулаторите прочетете всички инструкции и предупредителни маркировки на (1) зарядното устройство за акумулаторите, (2) за акумулаторите и (3) за използвания акумулаторите продукт.
2. Не разглобявайте акумулаторите.
3. Ако мощността на машината намалее много, веднага спрете да работите. Това може да доведе до риск от прегряване, до възможни изгаряния и даже до експлозии.

4. Ако в очите ви попадне електролит, изплакнете ги с чиста вода и веднага потърсете лекарска помощ. Това може да доведе до загуба на зрението ви.
  5. Не давайте на късо акумулаторите:
    - (1) Не докосвайте клемите с проводими материали.
    - (2) Избягвайте съхраняването на акумулаторите в контейнер с други метални предмети като пирони, монети и други подобни.
    - (3) Не излагайте акумулаторите на вода или дъжд.
- Закъсяването на акумулатор може да доведе до протичане на много силен ток, до прегряване, до възможни изгаряния и даже до разпадане на акумулатора.
6. Не съхранявайте инструмента и акумулаторите на места, където температурата може да достигне, или надмине 50 ° C (122 ° F).
  7. Не изгаряйте акумулаторите, даже и ако те са сериозно повредени или напълно износени. Акумулаторът може да експлодира в огън.
  8. Внимавайте да не изпускате или удряте акумулатора.
  9. Не използвайте повредени акумулатори.

## ЗАПАЗЕТЕ НАСТОЯЩИТЕ ИНСТРУКЦИИ.

### Съвети за поддържане на максимално дълъг живот на акумулаторите

1. Зареждайте акумулаторите преди те да са се разреждали напълно. Когато забележите, че мощността на инструмента намалява, винаги спирайте работата с инструмента и заредете акумулатора.
2. Никога не презареждайте напълно зареден акумулатор. Презарядът скъсява експлоатационния живот на акумулаторите.
3. Зареждайте акумулаторите на стайна температура при 10 ° C - 40 ° C (50 ° F - 104 ° F). Оставете зарелият се при работа акумулатор да се охлади, преди да го заредите.
4. Когато няма да използвате акумулаторите за продължителен период от време, зареждайте ги по веднъж на всеки шест месеца.

## ФУНКЦИОНАЛНО ОПИСАНИЕ

### ⚠ВНИМАНИЕ:

- Преди да регулирате или проверявате работата на инструмента, задължително проверете дали той е изключен и акумулаторната батерия е извадена.

### Поставяне и изваждане на акумулаторната батерия

#### Фиг.1

- Винаги изключвайте инструмента преди поставяне или изваждане на батерията.
- За да извадите акумулаторната батерия, приплъзнете я извън инструмента, плъзгайки същевременно бутона в предната част на батерията.
- За да поставите акумулаторната батерия, изравнете езичето на батерията с жлеба на гнездото и я плъзнете на мястото ѝ. Плъзнете я до край, докато ключалката я задържи на място с малко прищракване. В случай, че виждате червения индикатор в горната част на бутона, това означава, че тя не е заключена напълно. Приплъзнете я до край, докато червения индикатор се скрие. В противен случай, тя може да падне случайно, което може да нарани вас или някого около вас.
- Не използвайте излишна сила, когато приплъзвате батерията. Ако батерията не се движи свободно, тя не е била поставена правилно.

### Система за предпазване на батерията (литиево-йонна батерия, обозначена със звезда)

#### Фиг.2

Литиево-йонните батерии, обозначени със звезда са снабдени със система за предпазване. Тази система автоматично прекъсва захранването на инструмента за да осигури по-дълъг живот на батерията.

Инструментът ще спре автоматично по време на работа, ако инструментът и/или батерията са поставени при едно от следните условия:

- Претоварване:

Инструментът се използва по начин, който налага използването на наднормен ток. При това положение, отпуснете спусъка на прекъсвача на инструмента и спрете операцията, която претоварва инструмента. Натиснете спусъка отново за да задействате наново.

Ако инструментът не стартира отново, батерията е прегряла. При това положение, оставете батерията да изстине и натиснете спусъка на прекъсвача отново.

- Ниско напрежение на батерията:  
Оставащият в батерията капацитет е твърде малък, за да може да осигури работа на инструмента. При такъв случай, извадете и заредете батерията.

## Включване

### Фиг.3

#### ⚠ВНИМАНИЕ:

- Преди да поставите батерията в инструмента, винаги проверявайте дали пусковият прекъсвач работи нормално и се връща в положение "OFF" (Изкл.) при отпускането му.

За да включите инструмента, само натиснете спусъка на прекъсвача. Скоростта на инструмента се увеличава с увеличаване на натиска върху спусъка. За спиране отпуснете спусъка на прекъсвача.

## Действие на превключвателя за промяна на посоката

### Фиг.4

Инструментът е снабден с превключвател за промяна на посоката на въртене. Натиснете превключвателя за промяна на посоката от положение А за въртене по посока на часовниковата стрелка към положение В за посока обратна на часовниковата стрелка.

Когато превключвателя за промяна на посоката е в неутрална позиция, спусъкът на прекъсвача не може да бъде натиснат.

#### ⚠ВНИМАНИЕ:

- Винаги проверявайте посоката на въртене преди да извършвате операция.
- Използвайте ключа за промяна на посоката на въртене, само когато инструментът е напълно спрял. Промяна на посоката на въртене преди спиране на инструмента може да го повреди.
- Когато инструментът не се използва, винаги поставяйте превключвателя за промяна на посоката в неутрално положение.

## Промяна на оборотите

### Фиг.5

За да промените оборотите, първо изключете инструмента, а след това плъзнете лостчето към страна „2“ за високи обороти или към страна "1" за ниски обороти. Преди работа проверявайте дали лостчето за промяна на оборотите е поставено в правилното положение. Използвайте правилните обороти за вашата работна дейност.

#### ⚠ВНИМАНИЕ:

- Винаги поставяйте лостчето за промяна на оборотите докрай в правилното положение. Ако експлоатирате инструмента, когато лостчето за промяна на оборотите е поставено по средата между страна "1" и страна "2", това може да повреди инструмента.
- Не използвайте лостчето за промяна на оборотите докато инструментът работи. Инструментът може да се повреди.

## Регулиране на момента на затягане

### Фиг.6

Моментът на затягане може да се регулира на 17 степени чрез завъртане на регулиращия пръстен, така че неговите деления да се подравнят с показалеца върху корпуса на инструмента. Въртящият момент на затягане е минимален, когато числото 1 е подравнено с показалеца и максимален, когато маркировката  $\infty$  (Пробиване) е подравнена с показалеца.

Съединителят ще приплъзва при различни нива на въртящия момент, задавани с числа от 1 до 16. Съединителят е проектиран да не приплъзва, когато е поставен на маркировката  $\infty$  (Пробиване).

Преди работа завийте за проба винт в материала или в парче подобен материал, за да определите какво ниво на въртящ момент ви е необходимо за конкретното приложение.

## СГЛОБЯВАНЕ

#### ⚠ВНИМАНИЕ:

- Преди да извършите някакви дейности по инструмента задължително проверете дали той е изключен и акумулаторната батерия е извадена.

## Монтаж или демонтаж на накрайник за завинтване или накрайник за пробиване на отвори

### Фиг.7

Завъртете патронника по посока, обратна на часовниковата стрелка, за да се отворят челюстите му. Поставете накрайника в патронника възможно най-навътре. Завъртете патронника по посока на часовниковата стрелка, за да затегнете челюстите.

За да извадите накрайника, завъртете патронника по посока, обратна на часовниковата стрелка.

# РАБОТА

## ⚠ВНИМАНИЕ:

- Винаги поставяйте акумулаторната батерия, докато се фиксира на място. Ако червената част от горната страна на бутона се вижда, това означава, че тя не е фиксирана напълно. Поставете я докрай, така че да не се вижда червената част. В противен случай, тя може да падне случайно, което може да нарани вас или някого около вас.

## Работа със завинтване

### Фиг.8

## ⚠ВНИМАНИЕ:

- Поставете регулиращия пръстен на правилното ниво за въртящ момент на затягане, необходимо за вашата работа.

Поставете върха на накрайника за завинтване в главата на винта и окажете натиск върху инструмента. Пуснете инструмента на бавен ход, а след това постепенно увеличавайте оборотите. Отпуснете пусковия прекъсвач, веднага щом инструментът превърти.

## ⚠ВНИМАНИЕ:

- Уверете се, че накрайникът за завинтване е поставен директно в главата на винта - в противен случай винтът/накрайникът може да се повреди.


## ЗАБЕЛЕЖКА:

- Когато завинтвате винтове за дърво, пробийте предварително водещи отвори, за да улесните завинтването и да предотвратите разцепване на обработвания детайл. Вижте таблицата.

Номинален диаметър на винт за дърво (мм)	Препоръчан размер на пилотен отвор (мм)
3.1	2.0 - 2.2
3.5	2.2 - 2.5
3.8	2.5 - 2.8
4.5	2.9 - 3.2
4.8	3.1 - 3.4
5.1	3.3 - 3.6
5.5	3.7 - 3.9
5.8	4.0 - 4.2
6.1	4.2 - 4.4

006421

## Работа с пробиване

Първо, завъртете пръстена за промяна на режима за действие така, че стрелката върху корпуса на инструмента да сочи към отметка . След това продължете, както следва.

### Пробиване в дърво

Когато пробивате в дърво, най-добри резултати се получават със свредла пробиване на дърво, снабдени с центриращ водач. Той улеснява пробиването като издърпва накрайника в обработвания детайл.

## Пробиване в метал

За да избегнете отклоняване на накрайника, когато започвате да пробивате отвор, направете вдлъбнатина с пробой и чук в точката на пробиване. Поставете върха на накрайника във вдлъбнатината и започнете да пробивате.

При пробиване на метали използвайте охладително-мажеща течност. Изключения са чугунът и бронзът, които трябва да се пробиват на сухо.

## ⚠ВНИМАНИЕ:

- Прекомерно силен натиск върху инструмента няма да ускори пробиването. Всъщност, този излишен натиск само може да доведе до повреда на върха на свредлото, да намали ефективността на инструмента и да съкрати срока за експлоатация на инструмента.
- В момента на разпробиване на отвор възниква огромна сила, упражнявана върху инструмента/накрайника. Дръжте инструмента здраво и работете с внимание, когато накрайникът започне да прониква през обработвания детайл.
- Блокиран накрайник може да се извади лесно, като реверсивният превключвател се настрои за обратно въртене. Въпреки това, инструментът може рязко да завърти обратно, ако не го държите здраво.
- Малките обработвани детайли трябва винаги да се фиксират в менгема или подобно притискащо устройство.
- Ако инструментът е бил използван без прекъсване до разреждане на батерията, оставете го в покой за 15 минути преди продължаване на работа с нова заредена батерия.

# ПОДДРЪЖКА

## ⚠ВНИМАНИЕ:

- Преди да проверявате или извършвате поддръжка на инструмента се уверете, че той е изключен и акумулаторната батерия е извадена.
- Не използвайте бензин, нафта, разреждител, спирт и др. под. Това може да причини обезцветяване, деформация или пукнатини.

За да се поддържа БЕЗОПАСНОСТТА и НАДЕЖНОСТТА на инструмента, ремонтите, обслужването или регулирането трябва да се извършват от упълномощен сервиз на Makita, като се използват резервни части от Makita.

# ДОПЪЛНИТЕЛНИ АКСЕСОАРИ

## **⚠ВНИМАНИЕ:**

- Препоръчва се използването на тези аксесоари или накрайници с вашия инструмент Makita, описан в настоящото ръководство. Използването на други аксесоари или накрайници може да доведе до опасност от телесни нараняване. Използвайте съответния аксесоар или накрайник само по предназначение.

Ако имате нужда от помощ за повече подробности относно тези аксесоари, се обърнете към местния сервизен център на Makita.

- Накрайници за пробиване
- Накрайници отверки
- Различни типове оригинални батерии и зареждащи устройства на Makita
- Адаптер за автоматично презареждане на батерията
- Пластмасово куфарче за пренасяне

## **ЗАБЕЛЕЖКА:**

- Някои артикули от списъка може да са включени в комплекта на инструмента, като стандартни аксесоари. Те може да са различни в различните държави.

1-1. Crveni indikator

1-2. Gumb

1-3. Baterija

2-1. Zvezdasta oznaka

3-1. Uključno-isključna sklopka

4-1. Prekidač za promjenu smjera

5-1. Poluga promjene brzine

6-1. Podesni prsten

6-2. Stupnjevanje

6-3. Pokazivač

7-1. Tuljak

**SPECIFIKACIJE**

Model		DDF343	DDF453
Kapaciteti	Čelik	10 mm	13 mm
	Drvo	25 mm	36 mm
	Vijak za drvo	5,1 mm x 63 mm	6 mm x 75 mm
	Vijak za stroj	6 mm	
Brzina bez opterećenja (min <sup>-1</sup> )	Visoko (2)	0 - 1.300	
	Nisko (1)	0 - 400	
Ukupna dužina		192 mm	214 mm
Neto masa		1,4 kg	1,6 kg
Nazivni napon		DC 14,4 V	DC 18 V

- Zahvaljujući stalnom programu istraživanja i razvoja, ovdje navedeni tehnički podaci su podložni promjeni bez prethodne najave.
- Tehnički podaci o bateriji mogu se razlikovati ovisno o zemlji.
- Masa s baterijom prema EPTA postupku 01/2003

**Namjena**

ENE034-1

Alat je namijenjen za bušenje i odvijanje drveta, metala i plastike.

**Buka**

ENG905-1

Tipična jačina buke označena s A, određena sukladno EN60745:

**Model DDF343**

Razina zvučnog tlaka ( $L_{pA}$ ): 70 dB (A) ili manje  
Neodređenost (K): 3 dB (A)

Razina buke u radu smije prelaziti 80 dB (A).

**Model DDF453**

Razina zvučnog tlaka ( $L_{pA}$ ): 72 dB (A)  
Neodređenost (K): 3 dB (A)

Razina buke u radu smije prelaziti 80 dB (A).

**Nosite zaštitu za uši**

ENG900-1

**Vibracija**

Ukupna vrijednost vibracija (troosni vektorski zbir) izračunata u skladu s EN60745:

Način rada: bušenje metala  
Emisija vibracija ( $a_{h,D}$ ): 2,5 m/s<sup>2</sup> ili manje  
Neodređenost (K): 1,5 m/s<sup>2</sup>

- Deklarirana vrijednost emisije vibracija je izmjerena sukladno standardnoj metodi testiranja i može se rabiti za usporedbu jednog alata s drugim.
- Deklarirana vrijednost emisije vibracija također se može rabiti za preliminarnu procjenu izloženosti.

**⚠ UPOZORENJE:**

- Emisija vibracija tijekom stvarnog korištenja električnog ručnog alata se može razlikovati od deklarirane vrijednosti emisije, ovisno o načinu na koji se alat rabi.
- Nemojte zaboraviti da identifikirate sigurnosne mjere zaštite rukovatelja koje se temelje na procjeni izloženosti u stvarnim uvjetima korištenja (uzimajući u obzir sve dijelove radnog ciklusa, poput vremena kada je alat isključen i kada on radi u praznom hodu, a također i vrijeme okidanja).

**Samo za europske zemlje**

ENH101-17

**EZ Izjava o sukladnosti**

**Tvrtka Makita izjavljuje da su sljedeći strojevi:**

Naziv stroja:

Bežična udarna bušilica

Broj modela/Vrsta: DDF343, DDF453



Usklađeni sa sljedećim europskim smjernicama:  
2006/42/EZ

Proizvedeni su u skladu sa sljedećim standardima ili standardiziranim dokumentima:

EN60745

Tehnička datoteka u skladu s 2006/42/EZ dostupna je na sljedećoj adresi:

Makita, Jan-Baptist Vinkstraat 2, 3070, Belgija

31.12.2013



000331

Yasushi Fukaya  
Direktor

Makita, Jan-Baptist Vinkstraat 2, 3070, Belgija

GEA010-1

## Opća sigurnosna upozorenja za električne ručne alate

**△ UPOZORENJE** Pročitajte sva sigurnosna upozorenja i sve upute. Nepridržavanje upozorenja ili uputa može rezultirati električnim udarom, požarom i/ili ozbiljnom ozljedom.

**Sačuvajte sva upozorenja i upute radi kasnijeg korištenja.**

GEB088-1

## SIGURNOSNA UPOZORENJA ZA BEŽIČNU UDARNU BUŠILICU

1. **Koristite pomoćnu ručku(e) ako je isporučena s alatom.** Gubitak kontrole može uzrokovati ozljede.
2. **Držite električni ručni alat samo za izolirane rukohvatne površine kada izvodite operaciju pri kojoj rezni dodatak može doći u dodir sa skrivenim vodičima.** Rezni dodatak koji dođe u dodir s vodičem pod naponom može dovesti pod napon izložene metalne dijelove električnog ručnog alata i prouzročiti električni udar kod rukovatelja.
3. **Držite električni ručni alat za izolirane rukohvatne površine kada izvodite operaciju pri kojoj spoj može doći u dodir sa skrivenim vodičima.** Spoj koji dođe u dodir s vodičem pod naponom može dovesti pod napon izložene metalne dijelove električnog ručnog alata i prouzročiti električni udar rukovatelja.
4. **Uvijek stanite na čvrstu podlogu.** Pazite da nitko ne stoji ispod vas kad koristite uređaj na visini.
5. **Alat držite čvrsto.**
6. **Držite ruke podalje od dijelova koji se okreću.**

7. **Ne ostavljajte alat da radi.** Radite s alatom samo tako što ga držite rukom.
8. **Ne dodirujte nastavak bušilice odmah nakon rada; može biti izuzetno vruć i mogao bi vam opeći kožu.**
9. **Neki materijal sadrži kemikalije koje mogu biti toksične.** Poduzmite potrebne mjere opreza da bi se spriječilo udisanje prašine i dodir s kožom. Slijedite sigurnosne podatke od dobavljača materijala.

## ČUVAJTE OVE UPUTE.

### △ UPOZORENJE:

**NEMOJTE** dozvoliti da udobnost ili znanje o proizvodu (stečeno stalnim korištenjem) zamijene strogo pridržavanje sigurnosnih propisa za određeni proizvod. ZLOPORABA ili nepridržavanje sigurnosnih propisa navedenih u ovom priručniku s uputama mogu prouzročiti ozbiljne ozljede.

ENC007-7

## VAŽNE SIGURNOSNE UPUTE

### ZA BATERIJU

1. **Prije uporabe baterije pročitajte sve upute i oznake upozorenja na (1) punjaču za baterije, (2) bateriji i (3) proizvodu koji koristi bateriju.**
2. **Ne rastavljajte bateriju.**
3. **Ako se vrijeme rada znatno skratilo, odmah prestanite raditi.** Može postojati rizik od pregrijavanja, mogućih opekline, a čak i eksplozije.
4. **Ako vam elektrolit dospije u oči, isperite ih bistrom vodom i odmah se obratite liječniku.** Tako možete izgubiti vid.
5. **Ne spajajte kratko bateriju:**
  - (1) **Ne dodirujte terminale nikakvim provodljivim materijalima.**
  - (2) **Ne čuvajte bateriju u spremniku s drugim metalnim predmetima poput čavala, kovanica itd.**
  - (3) **Ne izlažite bateriju vodi ili kiši.**Kratki spoj baterije može uzrokovati velik protok struje, pregrijavanje, moguće opekline, a čak i kvar.
6. **Ne čuvajte alat i bateriju na mjestima gdje temperatura može prekoračiti 50 ° C (122 ° F).**
7. **Ne spaljujte bateriju čak ni ako je ozbiljno oštećena ili potpuno potrošena.** Baterija može eksplodirati na vatri.
8. **Pazite da vam baterija ne ispadne ili da je ne udarite.**
9. **Ne koristite oštećene baterije.**

## ČUVAJTE OVE UPUTE.

## Savjeti za održavanje najduljeg vijeka trajanja baterije

1. **Napunite bateriju prije nego što se potpuno isprazni.**  
Uvijek zaustavite alat i napunite bateriju kad primijetite da alat slabije radi.
2. **Nikad ne puniti potpuno punu bateriju.**  
Prepunjenje skraćuje radni vijek baterije.
3. **Punite bateriju na sobnoj temperaturi od 10 ° C - 40 ° C (50 ° F - 104 ° F).** Ostavite da se vruća baterija ohladi prije punjenja.
4. **Punite bateriju svakih šest mjeseci ako je ne dugo ne koristite.**

## FUNKCIONALNI OPIS

### ⚠OPREZ:

- Obavezno provjerite je li stroj isključen i baterija uklonjena prije podešavanja ili provjere funkcije na alatu.

### Instalacija ili uklanjanje baterije

#### SI.1

- Uvijek isključite alat prije instalacije ili uklanjanja baterije.
- Za uklanjanje baterije, gurnite je iz alata, pritiskom tipke na prednjoj strani uloška.
- Za instalaciju baterije, poravnajte jezičac na bateriji s utorom u kućištu i gurnite ga na mjesto. Uvijek ga gurnite skroz do kraja dok ne sjedne na mjesto uz mali klik. Ako možete vidjeti crveni indikator na gornjoj strani gumba, to znači da akumulator nije zaključan u potpunosti. Instalirajte ga do kraja tako da više ne možete vidjeti crveni indikator. U suprotnom može slučajno ispasti iz alata što može dovesti do vaše ozljede ili ozljede nekog u blizini.
- Ne koristite silu prilikom instalacije baterije. Ako baterija ne klizne lagano, znači da nije ispravno umetnuta.

### Sustav zaštite baterije

#### (litij-ionska baterija sa zvjezdicom)

#### SI.2

Litij-ionske baterije sa zvjezdicom opremljene su sustavom zaštite. Ovaj sustav automatski prekida napajanje alata da bi produžio vijek trajanja baterije.

Alat automatski prestaje raditi ako se alat i / ili baterija nađu u sljedećim uvjetima:

- Pod opterećenjem:
  - Alat radi na način koji uzrokuje abnormalno visoku struju.
  - U ovoj situaciji, otpustite prekidač na alatu i zaustaviti primjenu koja je izazvala preopterećene alata. Zatim povucite uključno/isključnu sklopku za ponovno pokretanje.
  - Ako se alat ne pokrene, baterija je pregrijana. U ovoj situaciji, pričekajte da se baterija ohladi prije nego što opet povučete uključno/isključnu sklopku.
- Slab napon baterije:
  - Preostali kapacitet baterije je prenizak i alat neće raditi. U ovoj situaciji, uklonite i napunite akumulator.

## Uključivanje i isključivanje

### SI.3

#### ⚠OPREZ:

- Prije uključivanja baterije na električnu mrežu provjerite radi li uključno/isključna sklopka i vraća li se u položaj za isključivanje "OFF" nakon otpuštanja.

Za pokretanja alata jednostavno povucite uključno/isključnu sklopku. Brzina alata se povećava povećanjem pritiska na uključno/isključnoj sklopki. Za isključivanje stroja otpustite uključno/isključnu sklopku.

## Rad prekidača za promjenu smjera

### SI.4

Ovaj alat ima prekidač za promjenu smjera vrtnje. Otpustite prekidač za promjenu smjera iz strane A za zakretanje u smjeru kazaljke na satu ili iz strane B u smjeru suprotnom kazaljci na satu.

Kada je prekidač za promjenu smjera u neutralnom položaju, uključno/isključna sklopka ne može se izvući.

#### ⚠OPREZ:

- Uvijek provjerite smjer vrtnje prije rada.
- Koristite prekidač za promjenu smjera tek kad dođe do potpunog zastoja alata. Promjena smjera vrtnje prije zaustavljanja može oštetiti alat.
- Kad alat ne radi, uvijek postavite polugu prekidača za promjenu smjera vrtnje u neutralan položaj.

## Promjena brzine

### SI.5

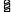
Za promjenu brzine prvo isključite alat i gurnite polugu za promjenu brzine na stranu "2" za veću brzinu ili stranu "1" za nižu brzinu. Poluga promjene brzine prije rada mora biti postavljena u točan položaj. Koriste pravilnu brzinu za vaš posao.


#### ⚠OPREZ:

- Uvijek postavite polugu za promjenu brzine u točan položaj. Ako radite alatom dok je poluga za promjenu brzine postavljena na pola puta između strana "1" i "2" alat se može oštetiti.
- Ne koristite polugu za promjenu brzine dok alat radi. Alat se može oštetiti.

## Prilagođavanje pričvrsnog okretnog momenta

### SI.6

Pričvrсни okretni moment može se prilagoditi u 17 koraka okretanjem prstena tako da se postupno poravnava s pokazivačem na trupu alata. Pričvrсни okretni moment je najmanji kada je broj 1 je usklađen s pokazivačem, a najveći kada je oznaka  usklađena s pokazivačem.

Spojka će skliznuti na različite razine okretnog momenta kako je postavite na brojeve od 1 do 16. Spojka je dizajnirana tako da ne sklizne na oznaci .

Prije stvarnog rada, provucite probni vijak kroz vaš materijal ili dodatni komad materijala da biste utvrdili koja je razina okretnog momenta potrebna za tu primjenu.

## MONTAŽA

#### ⚠OPREZ:

- Obavezno provjerite je li stroj isključen i baterija uklonjena prije nego što izvedete bilo kakav rad na alatu.

## Instalacija ili uklanjanje nastavka za zavrtač ili nastavka za bušenje

### SI.7

Da biste otvorili vilice glave okrenite tuljak u smjeru suprotnom od kazaljke na satu. Postavite nastavak u glavu što dalje. Okrenite tuljak u smjeru kazaljke na satu da biste pritegnuli glavu.

Za uklanjanje nastavka okrenite tuljak u smjeru suprotnom kazaljci na satu.

## RAD SA STROJEM

#### ⚠OPREZ:

- Uvijek umetnite bateriju tako da sjedne na mjesto. Ako možete vidjeti crveni dio na gornjoj strani tipke, to znači da akumulator nije blokiran u potpunosti. Umetnite ga do kraja tako da više ne možete vidjeti crveni dio. U suprotnom može slučajno ispasti iz alata što može dovesti do vaše ozljede ili ozljede nekoga u blizini.

## Rad odvijača

### SI.8

#### ⚠OPREZ:

- Prilagodite prsten na odgovarajuću razinu okretnog momenta za vaš rad.

Postavite nasadak nastavka za odvijač u glavu odvijača i primijenite pritisak na alat. Lagano pokrenite alat i postupno povećavajte brzinu. Otpustite uključno/isključnu sklopku čim se spojka usiječe.

#### ⚠OPREZ:

- Nastavak za odvijač mora biti pravilno umetnut u glavu vijka ili može doći do oštećenja vijka i/ili nastavka.

#### NAPOMENA:

- Pri zavrtnju vijaka u drvo napravite probne rupe da bi zavrtnje bilo lakše i da bi se spriječilo dijeljenje izratka. Pogledajte dijagram.

## DODATNI PRIBOR

### ⚠OPREZ:

- Ovaj dodatni pribor ili priključci se preporučuju samo za uporabu sa Vašim Makita strojem preciziranim u ovom priručniku. Uporaba bilo kojih drugih pribora ili priključaka može donijeti opasnost od ozljeda. Rabite dodatak ili priključak samo za njegovu navedenu namjenu.

Ako Vam je potrebna pomoć za više detalja u pogledu ovih dodatnih pribora, obratite se najbližem Makita servisnom centru.

- Nastavci za bušenje
- Nastavci za vijak
- Razne vrste Makita baterija i punjača
- Adapter s automatskim osvježavanjem
- Plastična torbica


### NAPOMENA:

- Neke stavke iz popisa se mogu isporučiti zajedno sa strojem kao standardni dodatni pribori. Oni mogu biti različiti ovisno o zemlji.

Nazivni promjer vijka za drvo (mm)	Preporučena veličina vodeće rupe (mm)
3,1	2,0 - 2,2
3,5	2,2 - 2,5
3,8	2,5 - 2,8
4,5	2,9 - 3,2
4,8	3,1 - 3,4
5,1	3,3 - 3,6
5,5	3,7 - 3,9
5,8	4,0 - 4,2
6,1	4,2 - 4,4

006421

## Bušenje

Prvo postavite prsten za prilagodbu tako da vrh ukazuje na oznaku . Potom nastavite kako slijedi.

### Bušenje drva

Pri bušenju drva najbolji se rezultati ostvaruju svrdlima za drvo s vodećim zavrtnjem. Vodeći zavrtanj olakšava bušenje gurajući nastavak u izradak.

### Bušenje metala

Za sprječavanje proklizavanja svrdla pri bušenju rupe napravite točku u središtu rupe za bušenje i udarite u točku koju treba bušiti. Postavite vrh svrdla u točku i počnite s bušenjem.

Pri bušenju metala koristite mazivo za bušenje. Izuzeci od ovog su željezo i bronca koje treba bušiti suhe.

### ⚠OPREZ:

- Jače pritiskanje alata neće ubrzati bušenje. Zapravo, dodatni će pritisak samo oštetiti vrh vašeg nastavka, smanjiti performanse alata i skratiti radni vijek.
- Pri bušenju rupe na alat/nastavak utječe velika sila. Čvrsto držite alat i obratite posebnu pozornost kad nastavak počne prolaziti kroz izradak.
- Nastavak koji se zaglavi lako se može ukloniti postavljanjem prekidača u obrnuti smjer vrtnje da bi ga povukao van. Međutim, alat može naglo odskočiti unatrag ako ga ne držite čvrsto.
- Male izratke uvijek držite u škripcu ili sličnom uređaju.
- Ako alat kontinuirano radi sve dok se baterija ne isprazni, ostavite alat da odstoji 15 minuta prije nastavka s novom baterijom.

## ODRŽAVANJE

### ⚠OPREZ:

- Prije svih zahvata na stroju provjerite jeste li isključili stroj i uklonili bateriju.
- Nikada nemojte koristiti benzin, mješavinu benzina, razrjeđivač, alkohol ili slično. Kao rezultat toga može se izgubiti boja, pojaviti deformacija ili pukotine.

Da biste zadržali SIGURNOST I POUZDANOST proizvoda, održavanje ili namještanja morate prepustiti ovlaštenim Makita servisnim centrima, uvijek rabite originalne rezervne dijelove.

**Опис на оштиот преглед**

- 1-1. Црвен индикатор
- 1-2. Копче
- 1-3. Батерија
- 2-1. Ознака со ѕвезда

- 3-1. Прекинувач
- 4-1. Рачка за прекинувач за назад
- 5-1. Рачка за менување брзина
- 6-1. Прстен за прилагодување

- 6-2. Градација
- 6-3. Показувач
- 7-1. Опшивка

**ТЕХНИЧКИ ПОДАТОЦИ**

Модел		DDF343	DDF453
Капацитет	Челик	10 мм	13 мм
	Дрво	25 мм	36 мм
	Завртка за дрво	5,1 мм x 63 мм	6 мм x 75 мм
	Машинска завртка	6 мм	
Неоптоварена брзина (мин. <sup>-1</sup> )	Високо (2)	0 - 1.300	
	Ниско (1)	0 - 400	
Вкупна должина		192 мм	214 мм
Нето тежина		1,4 кг	1,6 кг
Номинален напон		D.C. 14,4 V	D.C. 18 V

- Поради постојаното истражување и развој, техничките податоци дадени тука може да се менуваат без известување.
- Спецификациите и батеријата може да се разликуваат од земја до земја.
- Тежина со батерија според EPTA-Procedure 01/2003

**Намена**

Алатот е наменет за дупчење и за завртување завртки во дрво, метал и пластика.

ENE034-1

ENG901-1

**Бучава**

Типичната А-вредност за ниво на бучавата одредена според EN60745 изнесува:

ENG905-1

**Модел DDF343**

Ниво на звучниот притисок ( $L_{pA}$ ) : 70 дБ (А) или помалку

Отстапување (К) : 3 дБ (А)

Нивото на бучава при работа може да надмине 80 дБ (А).

**Модел DDF453**

Ниво на звучниот притисок ( $L_{pA}$ ): 72 дБ (А)

Отстапување (К): 3 дБ (А)

Нивото на бучава при работа може да надмине 80 дБ (А).

**Носете штитници за ушите**

ENG900-1

**Вибрации**

Вкупна вредност на вибрациите (векторска сума на три оски) одредена според EN60745:

Работен режим: дупчење во метал

Јачина на вибрации ( $a_{h,D}$ ): 2,5  $m/c^2$  или помалку

Отстапување (К): 1,5  $m/c^2$

- Номиналната јачина на вибрациите е измерена во согласност со стандардните методи за испитување и може да се користи за споредување на алати.
- Номиналната јачина на вибрациите може да се користи и како прелиминарна проценка за изложеност.

**⚠ ПРЕДУПРЕДУВАЊЕ:**

- Јачината на вибрациите при фактичкото користење на алатот може да се разликува од номиналната вредност, зависно од начинот на којшто се користи алатот.
- Погрижете се да ги утврдите безбедносните мерки за заштита на операторот врз основа на проценка на изложеноста при фактичките услови на употреба (земајќи ги предвид сите делови на работниот циклус, како периодите кога алатот е исклучен и кога работи во празен од, не само кога е активен).

ENH101-17

**Само за земјите во Европа**

**Декларација за сообразност за ЕУ**

**Makita изјавува дека следната машина(и):**

Ознака на машината:

Безжична шрафцигер-дупчалка

Модел бр./ Тип: DDF343,DDF453

Усогласени се со следниве европски Директиви:  
2006/42/EC

Тие се произведени во согласност со следниве стандарди или стандардизирани документи:

EN60745

Техничкото досие во согласност со 2006/42/EC е достапно преку:

Makita, Jan-Baptist Vinkstraat 2, 3070, Belgium

31.12.2013



000331

Yasushi Fukaya

Директор

Makita, Jan-Baptist Vinkstraat 2, 3070, Belgium

GEA010-1

## Општи упатства за безбедност за електричните алати

**⚠ ПРЕДУПРЕДУВАЊЕ** Прочитајте ги сите безбедносни предупредувања и сите упатства. Ако не се почитуваат предупредувањата и упатствата, може да дојде до струен удар, пожар или тешки повреди.

**Чувајте ги сите предупредувања и упатства за да можете повторно да ги прочитате.**

GEB0088-1

## БЕЗБЕДНОСНИ ПРЕДУПРЕДУВАЊА ЗА БЕЗЖИЧНА ШРАФЦИГЕР- ДУПЧАЛКА

1. Користете помошна рачка(и), ако е доставена со алатот. Губењето контрола може да предизвика повреда.
2. Држете го електричниот алат само за изолираните дршки кога работите, а додатокот за сечење може да дојде во допир со скриени жици. Додаток за сечење што ќе допре жица под напон може да ја пренесе струјата до металните делови на електричниот алат и да предизвика струен удар кај лицето што ракува со електричниот алат.
3. Држете го алатот само за изолираните држачи кога вршите работи кога затегнувачот може да дојде во допир со скриени жици. Затегнувачите што ќе допреат жица под напон може да ја пренесат струјата до металните делови на алатот и да предизвика струен удар на операторот.

4. Уверете се дека секогаш стоите на цврста подлога.  
Уверете се дека под Вас нема никој кога го користите алатот на високи места.
5. Држете го алатот цврсто.
6. Не допирајте ги вртливите делови.
7. Не оставајте го алатот вклучен. Работете со алатот само кога го држите в раце.
8. Не допирајте ја бургијата од дупчалката или работниот материјал веднаш по работата, може да е многу жешка и да Ви ја изгори кожата.
9. Некои материјали содржат хемикалии што можат да бидат отровни. Избегнувајте вдишување на прашината и избегнувајте контакт на прашината со кожата. Следете ги упатствата од производителот на материјалот.

## ЧУВАЈТЕ ГО УПАТСТВОТО.

### ⚠ ПРЕДУПРЕДУВАЊЕ:

**НЕ ДОЗВОЛУВАЈТЕ** удобноста или запознаеноста со производот (стекната со подолга употреба) да ве наведе да не се придржувате строго до безбедносните правила за односниот производ. ЗЛОУПОТРЕБАТА или непочитувањето на безбедносните правила наведени во ова упатство може да предизвикаат тешки телесни повреди.

ENC007-7

## ВАЖНИ БЕЗБЕДНОСНИ УПАТСТВА

### ЗА БАТЕРИЈА

1. Пред користење на батеријата, прочитајте ги сите упатства и ознаки за претпазливост на (1) полначот за батеријата, (2) батеријата и (3) производот што ја користи батеријата.
2. Не расклопувајте ја батеријата.
3. Ако времето во работа станало прекумерно кратко, престанете веднаш со работа. Тоа може да резултира со ризик од презагревање, можни изгореници и дури и експлозија.
4. Ако електролит навлезе во вашите очи, измијте ги со чиста вода и побарајте медицинска нега веднаш. Тоа може да резултира со губење на вашиот вид.
5. Не расклопувајте ја касетата за батеријата.
  - (1) Не допирајте ги контактите со никаков проводлив материјал.
  - (2) Избегнувајте да ја чувате батерија во сад со други метални предмети како што се шајки, монети и сл.

- (3) На изложувајте ја батеријата на вода или дожд.

Краткиот спој на батеријата може да предизвика голем проток на електрична енергија, презагревање, можни изгореници и дури и пад на напојувањето.

6. Не складирајте ги алатот и батеријата на места каде температурата може да достигне или надминува 50 ° C (122 ° F).
7. Не спалувајте ја батеријата дури и кога е многу оштетена или целосно потрошена. Батеријата може да експлодира ако се стави во оган.
8. Внимавајте да не ја испуштите или удриете батеријата.
9. Не користете оштетена батерија.

## ЧУВАЈТЕ ГО УПАТСТВОТО.

### Совети за одржување максимален работен век на батеријата

1. Заменете ја батеријата пред целосно да се испразни.  
Секогаш запирајте ја работата со алатот и заменете ја батеријата кога ќе забележите дека алатот дава помала моќност.
2. Никогаш немојте да полните целосно полна батерија.  
Прекумерното полнење го скратува работниот век на батеријата.
3. Полнете ја батеријата на собна температура од 10 ° C - 40 ° C (50 ° F - 104 ° F). Дозволете загреаната батерија да се олади пред да ја ставите на полнење.
4. Полнете ја батеријата еднаш секои шест месеци ако не ја користите подолг временски период.

## ОПИС НА ФУНКЦИИТЕ

### ⚠ВНИМАНИЕ:

- Пред секое прилагодување или проверка на алатот, проверувајте дали е исклучен и батеријата е извадена.

### Монтирање или отстранување на батеријата

#### Слика1

- Секогаш исклучувајте го алатот пред ставањето или вадењето на батеријата.
- За да ја извадите батеријата, повлечете ја од алатот додека го лизгате копчето на предната страна на батеријата.
- За вметнување на батеријата, порамнете го јазичето на батеријата со жлебот во куќиштето и лизнете го во место. Секогаш ставајте ја до крај додека не се заклучи во место при што ќе се слушне кликнување. Ако можете да го видите црвениот индикатор на горната страна од копчето, тоа значи дека не е поставена целосно. Поставете ја целосно такашто црвениот индикатор да не може да се види. Во спротивно, може ненадејно да испадне од алатот предизвикувајќи повреда вам или некому друг околу вас.
- Не користете сила при вметнувањето на батеријата. Ако батеријата не се лизне лесно, тоа значи дека не е поставена правилно.

### Систем за заштита на батеријата (литиум-јонска батерија со ознака на ѕвезда)

#### Слика2

Литиум-јонските батерии со ознака на ѕвезда се опремени со заштитен систем. Овој систем автоматски го прекинува напојувањето на алатот за да го продолжи работниот век на батеријата. Алатот автоматски ќе запре за време на работењето ако алатот и/или батеријата се поставени под еден од следниве услови:

- Преоптовареност:  
Со алатот се ракува на начин што предизвикува тој да повлекува ненормално висока електрична енергија. Во таква ситуација, отпущете го прекинувачот на алатот и запрете ја примената што предизвикала алатот да се преоптовари. Потоа повлечете го прекинувачот за стартување повторно за рестартирање на алатот.  
Ако алатот не се вклучува, тоа значи дека батеријата е прегреана. Во таква ситуација, оставете ја батеријата да се олади пред повторно да го повлечете прекинувачот.

- Низок напон на батеријата:  
Преостанатиот капацитет на батеријата е пренизок и алатот нема да работи. Во таква ситуација, извадете ја и наполнете ја батеријата.

## Вклучување

### Слика3

#### ⚠ВНИМАНИЕ:

- Пред да ја ставите батеријата во алатот, проверете го прекинувачот дали функционира правилно и дали се враќа во положбата „OFF“ кога ќе се отпушти.

За вклучување на алатот, едноставно повлечете го прекинувачот за стартување. Брзината на алатот се зголемува со зголемување на притисокот врз прекинувачот. Отпуштете го прекинувачот за исклучување на алатот.

## Прекинувач за обратна акција

### Слика4

Овој алат има прекинувач за обратна акција за променување на насоката на ротација. Отпуштете го прекинувачот за обратна акција од страна А за ротација во насока на стрелките на часовникот или од страна В за ротација во насока спротивна од стрелките на часовникот.

Кога рачката на прекинувачот за обратна акција е во неутрална положба, прекинувачот за вклучување не може да се повлече.

#### ⚠ВНИМАНИЕ:

- Секогаш проверувајте ја насоката на ротација пред работата.
- Користете го прекинувачот за обратна акција само откако алатот целосно ќе застане. Промувањето на насоката на ротација пред алатот целосно да застане може да го оштети алатот.
- Кога не работите со алатот, секогаш поставувајте го прекинувачот за обратна акција во неутрална положба.

## Промена на брзина

### Слика5

За да ја промените брзината, прво исклучете го алатот и потоа лизнете го лизгачот за промена на брзината на страна „2“ за висока брзина или на „1“ за ниска. Осигурете се дека лизгачот за промена на брзината е во правилна положба пред работата. Користете ја соодветната брзина за вашата работа.

#### ⚠ВНИМАНИЕ:

- Секогаш поставувајте го лизгачот за промена на брзината целосно во соодветната положба. Ако ракувате со алатот со лизгачот за промена на брзината поставен во меѓуположба помеѓу страна „1“ и страна „2“, алатот може да се оштети.

- Не користете го лизгачот за промена на брзината додека алатот работи. Алатот може да се оштети.

## Прилагодување на вртежниот момент

### Слика6

Вртежниот момент може да се прилагоди во 17 чекори со вртење на прстенот за прилагодување така што неговите градирања да се порамнети со стрелката на телото на алатот. Вртежниот момент е на минимум кога бројот 1 е израмнет со показателот, а на максимум кога ознаката  $\infty$  е израмнета со показателот.

Спојницата ќе паѓа на разни вртежни моменти кога е поставена на број од 1 до 16. Спојницата е направена да не паѓа на ознаката  $\infty$ .

Пред да работите, ставете пробен шраф во вашиот материјал или парче дупликат материјал за да определите кој вртежен момент одговара за која примена.

## СОСТАВУВАЊЕ

#### ⚠ВНИМАНИЕ:

- Пред секое дотерување или проверка на алатот, секогаш проверувајте дали е исклучен и батеријата е извадена.

## Монтирање или отстранување втичник за одвртување или втичник за дупчење

### Слика7

Свртете го ракавот во насока спротивна од стрелките на часовникот за да ги отворите стегите на главата. Поставете го втичникот во стезната глава колку што може да оди. Свртете го ракавот во насока на стрелките на часовникот за да ги ја стегнете главата.

За да го извадите втичникот, свртете го ракавот во насока спротивна од стрелките на часовникот.

## РАБОТЕЊЕ

#### ⚠ВНИМАНИЕ:

- Секогаш вметнувајте ја батеријата до крај додека не се заклучи во место. Ако можете да го видите црвениот дел на горната страна од копчето, тоа значи дека не е заклучена целосно. Монтирајте ја целосно додека црвениот дел не може веќе да се види. Во спротивно, може случајно да испадне од алатот, со тоа предизвикувајќи повреда вам или некому околу вас.

## Одвртување/завртување

### Слика8

#### ⚠ВНИМАНИЕ:

- Поставете го прстенот за прилагодување на соодветното ниво на вртежен момент за вашата работа.



Поставете го врвот на втичникот во главата на завртката и применете притисок врз алатот. Стартувајте го алатот бавно и потоа постепено зголемувајте ја брзината. Отпуштете го прекинувачот за стартување штом завртката навлезе во материјалот.

#### **⚠ВНИМАНИЕ:**

- Осигурете се дека втичникот е вметнат правилно во главата за одвртување/завртување, во спротивно завртката и/или втичникот може да се оштетат.

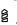
#### **НАПОМЕНА:**

- Кога завртувате хол-завртки, однапред дупнете пилот-дупки за да го направите завртувањето полесно и за да спречите помрдување од работниот материјал. Погледнете ја табелата.

Номинален дијаметар на хол-завртката (мм)	Препорачлива големина на пилот-дупката (мм)
3,1	2,0 - 2,2
3,5	2,2 - 2,5
3,8	2,5 - 2,8
4,5	2,9 - 3,2
4,8	3,1 - 3,4
5,1	3,3 - 3,6
5,5	3,7 - 3,9
5,8	4,0 - 4,2
6,1	4,2 - 4,4

006421

#### **Дупчење**

Прво, свртете го прстенот за прилагодување такашто покажувачот да покажува кон ознаката . Потоа продолжете на следниот начин.

#### **Дупчење во дрво**

Кога дупчите во дрво, најдобрите резултати се добиваат со бургии за дрво опремени со водилка. Водилката го олеснува дупчењето со тоа што ја вовлекува бургијата во работниот материјал.

#### **Дупчење во метал**

За да спречите бургијата да се лизне кога започнувате дупка, направете вглавнатина на местото кадешто ќе се дупчи со удар со чекан. Поставете го врвот на бургијата во вглавнатината и започнете со дупчење.

Користете средство за подмачкување при сечење кога дупчите метали. Исклучок од тоа се железо и месинг кои треба да се дупчат на суво.

#### **⚠ВНИМАНИЕ:**

- Притискањето силно врз алатот нема да го забрза дупчењето. Всушност, овој прекумерен притисок само ќе го оштети врвот на бургијата, ќе ги намали перформансите на алатот и ќе го скрати неговиот работен век.
- Доаѓа до јака сила која делува врз алатот/бургијата при дупнувањето на дупката. Цврсто држете го алатот и грижливо напредувајте кога бургијата почнува да навлегува во материјалот.

- Заглавената бургија може лесно да се извади со поставување на прекинувачот за обратна акција на обратна ротација за да се повлече назад. Сепак, алатот може да отскокне наназад нагло ако не го држите доволно дврсто.
- Секогаш прицврстувајте ги малите работни материјали на менгеме или сличен уред за прицврстување.
- Ако алатот работи континуирано додека батеријата не се испразни, оставете го да се одмори 15 минути пред да продолжите со свежа батерија.

## **ОДРЖУВАЊЕ**

#### **⚠ВНИМАНИЕ:**

- Пред секоја проверка или одржување, секогаш проверувајте дали алатот е исклучен и батеријата е извадена.
- За чистење, не користете нафта, бензин, разредувач, алкохол или слично. Тие средства ја вадат бојата и може да предизвикаат деформации или пукнатини.

За да се одржи БЕЗБЕДНОСТА и СИГУРНОСТА на производот, поправките, одржувањата или дотерувањата треба да се вршат во овластени сервисни центри на Makita, секогаш со резервни делови од Makita.

## **ОПЦИОНАЛЕН ПРИБОР**

#### **⚠ВНИМАНИЕ:**

- Овој прибор или додатоци се препорачуваат за користење со алатот од Makita дефиниран во упатството. Со користење друг прибор или додатоци може да се изложите на ризик од телесни повреди. Користете ги приборот и додатоците само за нивната намена.

Ако ви треба помош за повеќе детали за приборот, прашајте во локалниот сервисен центар на Makita.

- Втичници за дупчење
- Втичници за одвртување
- Различни видови оригинални батерии и полначи на Makita
- Автоматски адаптер за освежување
- Пластичен кофер за носење

#### **НАПОМЕНА:**

- Некои ставки на листата може да се вклучени со алатот како стандарден прибор. Тоа може да се разликува од земја до земја.

**Explicitarea vederii de ansamblu**

1-1. Indicator roșu	3-1. Trăgaciul întrerupătorului	6-2. Gradație
1-2. Buton	4-1. Levier de inversor	6-3. Indicator
1-3. Cartușul acumulatorului	5-1. Pârghie de schimbare a vitezei	7-1. Manșon
2-1. Marcaj în stea	6-1. Inel de reglare	

**SPECIFICAȚII**

Model		DDF343	DDF453
Capacități	Oțel	10 mm	13 mm
	Lemn	25 mm	36 mm
	Șurub pentru lemn	5,1 mm x 63 mm	6 mm x 75 mm
	Șurub cu cap	6 mm	
Turație în gol (min <sup>-1</sup> )	Înalt (2)	0 - 1.300	
	Redus (1)	0 - 400	
Lungime totală		192 mm	214 mm
Greutate netă		1,4 kg	1,6 kg
Tensiune nominală		14,4 V cc.	18 V cc.

- Datorită programului nostru continuu de cercetare și dezvoltare, caracteristicile pot fi modificate fără o notificare prealabilă.
- Specificațiile și ansamblul baterie pot diferi de la țară la țară.
- Greutatea, cu ansamblul baterie, conform procedurii EPTA 01/2003

**Destinația de utilizare**

Mașina este destinată găuririi și înșurubării în lemn, metal și plastic.

**Emisie de zgomot**

Nivelul de zgomot normal ponderat A determinat în conformitate cu EN60745:

**Model DDF343**

Nivel de presiune acustică ( $L_{pA}$ ): 70 dB (A) sau mai puțin

Eroare (K): 3 dB (A)

Nivelul de zgomot în timpul funcționării poate depăși 80 dB (A)

**Model DDF453**

Nivel de presiune acustică ( $L_{pA}$ ): 72 dB (A)

Eroare (K): 3 dB (A)

Nivelul de zgomot în timpul funcționării poate depăși 80 dB (A)

**Portați mijloace de protecție a auzului****Vibrații**

Valoarea totală a vibrațiilor (suma vectorilor tri-axiali) determinată conform EN60745:

Mod de funcționare: găurire în metal

Nivel de vibrații ( $a_{h,D}$ ): 2,5 m/s<sup>2</sup> sau mai puțin

Incertitudine (K): 1,5 m/s<sup>2</sup>

- Nivelul de vibrații declarat a fost măsurat în conformitate cu metoda de test standard și poate fi utilizat pentru compararea unei unelte cu alta.
- Nivelul de vibrații declarat poate fi, de asemenea, utilizat într-o evaluare preliminară a expunerii.

**⚠️ AVERTISMENT:**

- Nivelul de vibrații în timpul utilizării reale a unelei electrice poate diferi de valoarea nivelului declarat, în funcție de modul în care unealta este utilizată.
- Asigurați-vă că identificați măsurile de siguranță pentru a proteja operatorul, acestea fiind bazate pe o estimare a expunerii în condiții reale de utilizare (luând în considerare toate părțile ciclului de operare, precum timpii în care unealta a fost oprită, sau a funcționat în gol, pe lângă timpul de declanșare).

**Numai pentru țările europene****Declarație de conformitate CE**

**Makita declară că următoarea(ele) mașină(i):**

Denumirea mașinii:

Mașină de găurit și înșurubat cu acumulator

Model Nr./ Tip: DDF343,DDF453

ENH101-17

Este în conformitate cu următoarele directive europene:

2006/42/EC

Sunt fabricate în conformitate cu următorul standard sau documente standardizate:

EN60745

Fișierul tehnic în conformitate cu 2006/42/CE este disponibil de la:

Makita, Jan-Baptist Vinkstraat 2, 3070, Belgia

31.12.2013



000331

Yasushi Fukaya  
Director

Makita, Jan-Baptist Vinkstraat 2, 3070, Belgia

GEA010-1

## Avertismente generale de siguranță pentru unelte electrice

**⚠ AVERTIZARE** Citiți toate avertizările de siguranță și toate instrucțiunile. Nerespectarea acestor avertizări și instrucțiuni poate avea ca rezultat electrocutarea, incendiul și/sau rănirea gravă.

**Păstrați toate avertismentele și instrucțiunile pentru consultări ulterioare.**

GEB088-1

## AVERTISMENTE PRIVIND SIGURANȚA PENTRU MAȘINA DE GĂURIT ȘI ÎNȘURUBAT CU ACUMULATOR

1. **Utilizați mânerele auxiliare, dacă sunt livrate cu mașina.** Pierderea controlului poate produce rănirea persoanei.
2. **Țineți unealta electrică de suprafețele de prindere izolate atunci când efectuați o operațiune în care accesoriul de tăiere poate intra în contact cu fire ascunse.** Accesoriul de tăiere care intră în contact cu un fir aflat sub tensiune poate pune sub tensiune componentele metalice neizolate ale uneltei electrice și poate produce un șoc electric asupra operatorului.
3. **Țineți mașina electrică numai de suprafețele de apucare izolate atunci când executați o operație la care organul de asamblare poate intra în contact cu cabluri ascunse.** Contactul organelor de asamblare cu un cablu aflat sub tensiune poate pune sub tensiune piesele metalice expuse ale mașinii electrice, conducând la electrocutarea utilizatorului.

4. **Păstrați-vă echilibrul.** Asigurați-vă că nu se află nimeni dedesubt atunci când folosiți mașina la înălțime.
5. **Țineți bine mașina.**
6. **Nu atingeți piesele în mișcare.**
7. **Nu lăsați mașina în funcțiune.** Folosiți mașina numai când o țineți cu mâinile.
8. **Nu atingeți burghiul sau piesa de lucru imediat după operațiune;** acestea pot fi fierbinți și vă pot cauza arsuri.
9. **Unele materiale conțin substanțe chimice care pot fi toxice.** Aveți grijă să nu inhalați praful și evitați contactul cu pielea. Respectați instrucțiunile de siguranță ale furnizorului.

## PĂSTRAȚI ACESTE INSTRUCȚIUNI.

### ⚠ AVERTISMENT:

NU permiteți comodității și familiarizării cu produsul (obținute prin utilizare repetată) să înlocuiască respectarea strictă a normelor de securitate pentru acest produs. FOLOSIREA INCORECTĂ sau nerespectarea normelor de securitate din acest manual de instrucțiuni poate provoca vătămări corporale grave.

ENCO07-7

## INSTRUCȚIUNI IMPORTANTE PRIVIND SIGURANȚA

### PENTRU CARTUȘUL ACUMULATORULUI

1. Înainte de a folosi cartușul acumulatorului, citiți toate instrucțiunile și atenționările de pe (1) încărcătorul acumulatorului, (2) acumulator și (3) produsul care folosește acumulatorul.
2. **Nu dezmembrați cartușul acumulatorului.**
3. **Dacă timpul de funcționare s-a redus excesiv, întrerupeți imediat funcționarea.** Aceasta poate prezenta risc de supraîncălzire, posibile arsuri și chiar explozie.
4. **Dacă electrolitul pătrunde în ochi, clătiți bine ochii cu apă curată și consultați imediat un medic.** Există risc de orbire.
5. **Nu scurtcircuitați cartușul acumulatorului:**
  - (1) Nu atingeți bornele cu niciun material conductor.
  - (2) Evitați depozitarea cartușului acumulatorului la un loc cu alte obiecte metalice cum ar fi cuie, monede etc.
  - (3) Nu expuneți cartușul acumulatorului la apă sau ploaie.

Un scurtcircuit al acumulatorului poate provoca un flux puternic de curent electric, supraîncălzire, posibile arsuri și chiar defectarea mașinii.

6. Nu depozitați mașina și cartușul acumulatorului în spații în care temperatura poate atinge sau depăși 50 ° C (122 ° F).
7. Nu incinerati cartușul acumulatorului chiar dacă acesta este grav deteriorat sau complet uzat. Cartușul acumulatorului poate exploda în foc.
8. Aveți grijă să nu scăpați pe jos sau să loviți acumulatorul.
9. Nu folosiți un acumulator uzat.

## PĂSTRAȚI ACESTE INSTRUCȚIUNI.

### Sfaturi pentru obținerea unei durate maxime de exploatare a acumulatorului

1. Încărcați cartușul acumulatorului înainte de a se descărca complet. Întrerupeți întotdeauna funcționarea mașinii și încărcați cartușul acumulatorului când observați o scădere a puterii mașinii.
2. Nu reîncărcați niciodată un acumulator complet încărcat. Supraîncărcarea va scurta durata de exploatare a acumulatorului.
3. Încărcați cartușul acumulatorului la temperatura camerei, între 10 ° C - 40 ° C (50 ° F - 104 ° F). Lăsați un acumulator fierbinte să se răcească înainte de a-l încărca.
4. Încărcați cartușul acumulatorului o dată la fiecare șase luni dacă nu îl utilizați pentru o perioadă lungă de timp.

## DESCRIERE FUNCȚIONALĂ

### ⚠ATENȚIE:

- Asigurați-vă întotdeauna că mașina este oprită și cartușul acumulatorului este scos înainte de a ajusta sau verifica funcționarea mașinii.

### Instalarea sau scoaterea cartușului acumulatorului

#### Fig.1

- Opriti întotdeauna unealta înainte de montarea sau demontarea cartușului de acumulator.
- Pentru a scoate cartușul acumulatorului, glisați-l din unealtă în timp ce glisați butonul de pe partea frontală a cartușului.
- Pentru a instala cartușul acumulatorului, aliniați limba de pe cartușul acumulatorului cu canelura din carcasă și introduceți-l în locaș. Introduceți-l întotdeauna complet, până când se înclichetează în locaș. Dacă puteți vedea indicatorul roșu din partea superioară a butonului, acesta nu este blocat complet. Introduceți-l complet, până când indicatorul roșu nu mai este vizibil. În caz contrar, acesta poate cădea accidental din mașină provocând rănirea dumneavoastră sau a persoanelor din jur.
- Nu forțați montarea cartușului de acumulatori. Dacă acesta nu glisează ușor, înseamnă că a fost introdus incorect.

### Sistem de protecție a acumulatorului (acumulator litiu-ion cu marcaj stea)

#### Fig.2

Acumulatorii litiu-ion cu un marcaj stea sunt echipate cu un sistem de protecție. Acest sistem oprește automat alimentarea mașinii pentru a prelungi durata de viață a bateriei.

Mașina se va opri automat în timpul funcționării când mașina și/sau acumulatorul se află într-una din situațiile următoare.

- Suprasarcină:  
Mașina este operată într-o manieră care determină atragerea unui curent de o intensitate anormal de ridicată.  
În această situație, eliberați butonul declanșator al mașinii și opriti activitatea care a generat suprasarcina. Apoi trageți din nou butonul declanșator pentru a reporni mașina.  
Dacă mașina nu pornește, înseamnă că acumulatorul este supraîncălzit. În această situație, lăsați acumulatorul să se răcească înainte de a trage butonul declanșator din nou.
- Tensiune scăzută acumulator:  
Capacitatea rămasă a bateriei este prea mică, iar mașina nu va funcționa. În această situație, scoateți și reîncărcați acumulatorul.

## Acționarea întrerupătorului

### Fig.3

#### ⚠️ATENȚIE:

- Înainte de a introduce cartușul acumulatorului în mașină, verificați întotdeauna dacă butonul declanșator funcționează corect și revine în poziția "OFF" (oprit) când este eliberat.

Pentru a porni mașina, apăsați pur și simplu butonul declanșator. Viteza mașinii poate fi crescută prin creșterea forței de apăsare a butonului declanșator. Eliberați butonul declanșator pentru a opri mașina.

## Funcționarea inversorului

### Fig.4

Această mașină dispune de un comutator de inversare pentru schimbarea sensului de rotație. Apăsați pârghia comutatorului de inversare în poziția A pentru rotire în sens orar sau în poziția B pentru rotire în sens anti-orar. Când pârghia comutatorului de inversare se află în poziție neutră, butonul declanșator nu poate fi apăsat.

#### ⚠️ATENȚIE:

- Verificați întotdeauna sensul de rotație înainte de utilizare.
- Folosiți comutatorul de inversare numai după ce mașina s-a oprit complet. Schimbarea sensului de rotație înainte de oprirea mașinii poate avaria mașina.
- Atunci când nu folosiți mașina, deplasați întotdeauna pârghia comutatorului de inversare în poziția neutră.

## Schimbarea vitezei

### Fig.5

Pentru a schimba viteza, mai întâi opriți mașina și apoi deplasați pârghia de schimbare a vitezei în poziția "2" pentru viteză mare sau în poziția "1" pentru viteză mică. Asigurați-vă că pârghia de schimbare a vitezei se află în poziția corectă înainte de utilizare. Folosiți viteza adecvată pentru lucrarea dumneavoastră.

#### ⚠️ATENȚIE:

- Deplasați întotdeauna complet pârghia de schimbare a vitezei în poziția corectă. Dacă folosiți mașina cu pârghia de schimbare a vitezei poziționată intermediar între poziția "1" și poziția "2", mașina poate fi avariata.
- Nu folosiți pârghia de schimbare a vitezei în timpul funcționării mașinii. Mașina poate fi avariata.

## Reglarea momentului de strângere

### Fig.6

Momentul de strângere poate fi reglat în 17 trepte prin rotirea inelului de reglare astfel încât gradațiile acestuia să fie aliniate cu indicatorul de pe corpul mașinii. Momentul de strângere este minim atunci când numărul 1 este aliniat cu indicatorul și maxim atunci când

marcajul 8 este aliniat cu indicatorul.

Cuplajul va patina la diferite valori ale momentului de strângere, dacă este reglat la numerele 1 până la 16. Cuplajul este conceput astfel încât să nu patineze la marcajul 8.

Înainte de folosirea propriu-zisă, înșurubați un șurub de probă în materialul dumneavoastră sau într-o bucată de material identic pentru a determina valoarea momentului de strângere necesară pentru o anumită aplicație.

## MONTARE

#### ⚠️ATENȚIE:

- Asigurați-vă întotdeauna că mașina este oprită și cartușul acumulatorului este scos înainte de a executa orice lucrări la mașină.

## Montarea sau demontarea capului de înșurubat sau a burghiului

### Fig.7

Rotiți manșonul în sens anti-orar pentru a deschide fălcile mandrinei. Introduceți capul de înșurubat în mandrină până când se oprește. Rotiți manșonul în sens orar pentru a strânge mandrina.

Pentru a scoate capul de înșurubat, rotiți manșonul în sens anti-orar.

## FUNCȚIONARE

#### ⚠️ATENȚIE:

- Introduceți întotdeauna complet cartușul acumulatorului până când se blochează în locaș. Dacă puteți vedea porțiunea roșie din partea superioară a butonului, acesta nu este blocat complet. Introduceți-l complet, până când porțiunea roșie nu mai este vizibilă. În caz contrar, acesta poate cădea accidental din mașină provocând rănirea dumneavoastră sau a persoanelor din jur.

## Înșurubarea

### Fig.8

#### ⚠️ATENȚIE:

- Ajustați inelul de reglare la valoarea corectă a momentului de strângere pentru lucrarea dumneavoastră.

Poziționați vârful capului de înșurubat în capul șurubului și apăsați pe mașină. Porniți mașina încet și apoi sporiti treptat viteza. Eliberați butonul declanșator imediat ce cuplajul anclanșează.

#### ⚠️ATENȚIE:

- Asigurați-vă că ați introdus drept capul de înșurubat în capul șurubului, în caz contrar șurubul și/sau capul de înșurubat poate fi deteriorat.


## NOTĂ:

- Atunci când înșurubați șuruburi pentru lemn, practicați în prealabil găuri de ghidare pentru a facilita înșurubarea și a preveni crăparea piesei prelucrate. Vezi tabelul.

Diametrul nominal al șurubului pentru lemn (mm)	Dimensiunea recomandată a găurii de ghidare (mm)
3,1	2,0 - 2,2
3,5	2,2 - 2,5
3,8	2,5 - 2,8
4,5	2,9 - 3,2
4,8	3,1 - 3,4
5,1	3,3 - 3,6
5,5	3,7 - 3,9
5,8	4,0 - 4,2
6,1	4,2 - 4,4

006421

## Găurirea

Mai întâi, rotiți inelul de reglare astfel încât indicatorul să indice marcajul . Apoi procedați după cum urmează.

### Găurirea lemnului

Când găuriți lemnul, obțineți cele mai bune rezultate cu burghiile de lemn dotate cu șurub de ghidaj. Șurubul de ghidaj face ca perforarea să fie mai ușoară trăgând vârful în piesa de lucru.

### Găurirea metalului

Pentru a evita alunecarea vârfului atunci când începeți să perforați, faceți un marcaj cu un dorn de perforat în punctul unde doriți să faceți gaura. Poziționați vârful pe marcaj și începeți perforarea.

Folosiți un lubrifiant de tăiere atunci când găuriți metale. Singurele excepții sunt fierul și alama, care trebuie să fie găurite uscate.

## ⚠️ATENȚIE:

- Aplicarea unei forțe excesive asupra mașinii nu va grăbi operațiunea de găurire. De fapt, presiunea excesivă nu va face decât să deterioreze burghiul, scăzând performanțele mașinii și scurtând durata de viață a acesteia.
- Asupra mașinii/burghiului este exercitată o forță enormă în momentul în care gaura este străpunsă. Țineți mașina ferm și acordați o atenție sporită atunci când burghiul trece prin piesă.
- Un burghiu blocat se poate debloca prin inversarea sensului de rotație al mașinii. Totuși, mașina poate avea un recul puternic dacă nu o susțineți cu fermitate.
- Piese mici trebuie să fie fixate cu o menghină sau cu un alt dispozitiv similar de fixare.
- Dacă mașina este folosită continuu până la descărcarea cartușului acumulatorului, lăsați mașina în repaus timp de 15 minute înainte de a continua cu un acumulator nou.

## ÎNȚEȚINERE

### ⚠️ATENȚIE:

- Asigurați-vă întotdeauna că mașina este oprită și cartușul acumulatorului este scos înainte de a executa lucrările de inspecție și întreținere.
- Nu utilizați niciodată gazolină, benzină, diluant, alcool sau alte substanțe asemănătoare. În caz contrar, pot rezulta decolorări, deformări sau fisuri.

Pentru a menține siguranța și fiabilitatea mașinii, reparațiile și reglajele trebuie să fie efectuate numai la Centrele de service autorizat Makita, folosindu-se piese de schimb Makita.

## ACCESORII OPȚIONALE

### ⚠️ATENȚIE:

- Folosiți accesoriile sau piesele auxiliare recomandate pentru mașina dumneavoastră în acest manual. Utilizarea oricăror alte accesorii sau piese auxiliare poate cauza vătămări. Folosiți accesorii pentru operațiunea pentru care au fost concepute.

Dacă aveți nevoie de asistență sau de mai multe detalii referitoare la aceste accesorii, adresați-vă centrului local de service Makita.

- Burghiu
- Capete de înșurubat
- Diverse tipuri de acumulatori și încărcătoare originale Makita
- Adaptor de reîmprospătare automată
- Cutia de plastic pentru transport

## NOTĂ:

- Unele articole din listă pot fi incluse ca accesorii standard în ambalajul de scule. Acestea pot diferi în funcție de țară.

1-1. Црвени индикатор  
 1-2. Дугме  
 1-3. Кертрич батерије  
 2-1. Звездаста ознака

3-1. Окидни прекидач  
 4-1. Полуга за окретање прекидача  
 5-1. Полуга за мењање брзине  
 6-1. Прстен за подешавање

6-2. Градуирање  
 6-3. Показивач  
 7-1. Наставак

## ТЕХНИЧКИ ПОДАЦИ

Модел		DDF343	DDF453
Капацитети	Челик	10 мм	13 мм
	Дрво	25 мм	36 мм
	Завртањ за дрво	5,1 мм x 63 мм	6 мм x 75 мм
	Машински завртањ	6 мм	
Брзина без оптерећења (мин <sup>-1</sup> )	Високо (2)	0 - 1.300	
	Ниско (1)	0 - 400	
Укупна дужина		192 мм	214 мм
Нето тежина		1,4 кг	1,6 кг
Номинални напон		DC 14,4 V	DC 18 V

• На основу нашег непрестаног истраживања и развоја задржавамо право измена горе наведених података без претходне најаве.

• Технички подаци и кертрич батерије могу да се разликују у различитим земљама.

• Тежина, са кертрицом батерије, према процедури ЕПТА 01/2003

ENE034-1

ENG901-1

### Намена

алат је намењен за бушење и увртање завртања у дрво, метал и пластику.

ENG905-1

### Бука

Типичан ниво буке по оцени А одређен је према EN60745:

#### Модел DDF343

Ниво звучног притиска ( $L_{pA}$ ): 70 dB (A) или мање

Толеранција (K): 3 dB (A)

Ниво буке током рада може да премаши 80 dB (A)

#### Модел DDF453

Ниво звучног притиска ( $L_{pA}$ ): 72 dB (A)

Толеранција (K): 3 dB (A)

Ниво буке током рада може да премаши 80 dB (A).

#### Носите заштиту за слух

ENG900-1

### Вибрације

Укупна вредност вибрација (векторска сума у три правца) одређена је према EN60745:

Режим рада: бушење метала

Емисиона вредност вибрација ( $a_{h,D}$ ): 2,5 м/с<sup>2</sup> или мање

Толеранција (K): 1,5 м/с<sup>2</sup>

- Декларисана емисиона вредност вибрација је измерена према стандардизованом мерном поступку и може се користити за упоређивање алата.
- Декларисана емисиона вредност вибрација се такође може користити за прелиминарну процену изложености.

### ⚠ УПОЗОРЕЊЕ:

- Емисиона вредност вибрација током реалне примене електричног алата може се разликовати од декларисане емисионе вредности што зависи од начина на који се користи алат.
- Уверите се да сте идентификовали безбедносне мере за заштиту руковаоца које су засноване на процени изложености у реалним условима употребе (као и у свим деловима радног циклуса као што је време рада уређаја, али и време када је алат искључен и када ради у празном ходу).

Само за европске земље

## ЕЗ Декларација о усклађености

Makita изјављује за следећу(е) машину(е):

Ознака машине:

Бежична бушилица

Број модела/ Тип: DDF343,DDF453

Усклађена са следећим европским смерницама:

2006/42/E3

Да је произведена у складу са следећим стандардом или стандардизованим документима:

EN60745

Техничка датотека у складу са 2006/42/E3 доступна је на:

Makita, Jan-Baptist Vinkstraat 2, 3070, Белгија

31.12.2013



000331

Yasushi Fukaya

Директор

Makita, Jan-Baptist Vinkstraat 2, 3070, Белгија

GEA010-1

## Општа безбедносна упозорења за електричне алате

**⚠ УПОЗОРЕЊЕ** Прочитајте сва безбедносна упозорења и упутства. Непоштовање доле наведених упозорења и упутстава може изазвати електрични удар, пожар и/или озбиљну повреду.

**Сачувајте сва упозорења и упутства за будуће потребе.**

ГЕВ088-1

## БЕЗБЕДНОСНА УПОЗОРЕЊА ЗА БЕЖИЧНУ БУШИЛИЦУ ОДВИЈАЧ

1. Користите помоћне ручке ако су достављене са алатом. Губитак контроле може да доведе до телесних повреда.
2. Електрични алат држите за изоловане рукохвате када обављате радове при којима постоји могућност да резни прибор додирне скривене водове. Резни прибор који додирне струјни кабл може да стави под напон изложене металне делове електричног алата и изложи руковаоца електричном удару.
3. Електрични алат држите за изоловане рукохвате када обављате радове при којима постоји могућност да причвршћивач додирне скривене водове. Причвршћивачи који додирну струјни кабл могу да ставе под

напон изложене металне делове електричног алата и изложе руковаоца електричном удару.

4. Побрините се да увек имате чврст ослонац испод ногу.  
Уверите се да никога нема испод ако алат користите на високим местима.
5. Алат држите чврсто.
6. Руче држите даље од ротирајућих делова.
7. Не остављајте алат да ради. Алат укључите само када га држите рукама.
8. Бургију или предмет обраде не додирујте одмах после завршетка рада јер може да буде врло врућ и можете да се опечете.
9. Неки материјали садрже хемикалије које могу да буду отровне. Будите пажљиви како не би дошло до удисања прашине или контакта са кожом. Следите безбедносне податке добављача материјала.

## САЧУВАЈТЕ ОВО УПУТСТВО.

### ⚠ УПОЗОРЕЊЕ:

НЕ дозволите да строга безбедносна правила која се односе на овај производ буду занемарена због чињенице да сте производ добро упознали и стекли рутину у руковању са њим. **НЕНАМЕНСКА УПОТРЕБА** или непоштовање правила безбедности наведених у овом упутству могу довести до озбиљних повреда.

ENС007-7

## ВАЖНА БЕЗБЕДНОСНА УПУТСТВА

### ЗА КЕРТРИЦ БАТЕРИЈЕ

1. Пре употребе кертрица батерије, прочитајте сва упутства и безбедносне ознаке на (1) пуњачу батерије, (2) батерији и (3) производу који користи батерију.
2. Немојте да расклапате кертриц батерије.
3. Ако је време рада постало изузетно краће, одмах престаните са руковањем. То може да доведе до ризика од прегревања, могућих опекотина, па чак и експлозије.
4. Ако електролит доспе у очи, исперите их чистом водом и одмах затим затражите помоћ лекара. То може да доведе до губитка вида.
5. Немојте да изазивате кратак спој на кертрицу батерије:
  - (1) Немојте да додирујете терминале било којим проводничким материјалом.
  - (2) Избегавајте складиштење кертрица батерије у контејнеру са другим металним предметима као што ексери, новчићи итд.



- (3) Немојте да излажете кертриц батерије води или киши.

Кратак спој на батерији може да доведе до великог протока струје, прегревања, могућих опекотина, па чак и прегоревања.

6. Немојте да складиштите алат и кертриц батерије на местима где температура може да достигне или премаши 50 ° C (122 ° F).
7. Немојте да палите кертриц батерије чак ни ако је озбиљно оштећен или потпуно похабан. Кертриц батерије може да експлодира у ватри.
8. Пазите да не испустите или ударите батерију.
9. Немојте да користите оштећену батерију.

## САЧУВАЈТЕ ОВО УПУТСТВО.

### Савети за одржавање максималног трајања батерије

1. Напуните кертриц батерије пре него што се потпуно испразни.  
Сваки пут прекините рад са алатом и промените кертриц батерије када приметите да је снага алата слабија.
2. Никада немојте да допуњавате потпуно напуњени кертриц батерије.  
Препуњавање скраћује радни век батерије.
3. Напуните кертриц батерије са собном температуром од 10 ° C до 40 ° C (50 ° F - 104 ° F). Пустите да се врући кертриц батерије охлади пре пуњења.
4. Напуните кертриц батерије на сваких шест месеци ако га не користите током дужег временског периода.

## ОПИС ФУНКЦИЈА АЛАТА

### ⚠ ПАЖЊА:

- Пре подешавања или провере функција алата увек проверите да ли је алат искључен и акумулатор одвојен пре подешавања и провере функције алата.

### Постављање или скидање акумулатора

#### слика1

- Увек искључите алат пре убацивања или уклањања акумулатора.
- Да бисте уклонили акумулатор, избаците га из алата притиском на тастер на предњој страни акумулатора.
- За постављање акумулатора, поравнајте језичак на акумулатору са жлебом на кућишту и убаците га. Увек ка убаците у потпуности док не легне у позицији и зачује се клик. Ако можете видети црвени индикатор на горњој страни тастера, акумулатор није у потпуности у исправној позицији. Поставите га у потпуности тако да се црвени индикатор не може видети. У супротном, случајно може испасти из алата, изазивајући повреду код вас или особе у вашој близини.
- Немојте да примењујете силу приликом постављања акумулатора. Ако акумулатор не легне у позицију једноставно, не постављате га исправно.

### Систем за заштиту акумулатора (литијум-јонска батерија за ознаком звезде)

#### слика2

Литијум-јонске батерије са ознаком звезде су опремљене системом за заштиту. Овај систем аутоматски прекида напајање алата како би продужио трајање батерије.

Алат ће аутоматски прекинути са радом ако се алат и/или акумулатор ставе у једно од следећих стања:

- Преоптерећење:  
Алатом се управља на начин који доводи до трошења абнормалне количине струје. У овој ситуацији, пустите прекидач на алату и престаните са употребом која је довела до преоптерећења алата. Потом повуците прекидач да бисте почели поново.  
Ако алат не почне са радом, акумулатор је прегрејан. У овој ситуацији, дозволите батерији да се охлади пре поновног повлачења прекидача.

- Низак напон батерије:  
Преостали капацитет акумулатора је пренизак и алат неће функционисати. У овој ситуацији, извадите и напуните акумулатор.

## Функционисање прекидача

### слика3

#### ⚠ ПАЖЊА:

- Пре убацивања акумулатора у алат, увек проверите да ли прекидач ради правилно и да ли се враћа у положај „OFF“ (искључивање) пошто га пустите.

За покретање алата, једноставно повуците прекидач. Брзина алата се повећава повећањем притиска на прекидачу. За заустављање алата пустите окидач.

## Рад прекидача за преусмерење

### слика4

Овај алат има прекидач за преусмерење за промену правца ротације. Притисните ручицу за преусмерење са стране А за ротацију у смеру кретања казаљке на сату или са стране Б за ротацију у супротном правцу.

Када се ручица за преусмерење налази у неутралној позицији, прекидач се не може повући.

#### ⚠ ПАЖЊА:

- Увек проверите правац ротације пре употребе.
- Прекидач за преусмерење користите само након што се алат у потпуности заустави. Промена правца ротације пре него што се алат заустави може оштетити алат.
- Када се алат не користи, ручицу за преусмерење увек ставите у неутралну позицију.

## Промена брзине

### слика5

За промену брзине, прво искључите алат потом гурните ручицу за промену брзине на страну „2“ за већу брзину или страну „1“ за мању брзину. Обавезно проверите да ли је ручица за брзину постављена на правилну позицију пре употребе. Користите одговарајућу брзину за ваш посао.

#### ⚠ ПАЖЊА:

- Увек у потпуности подесите ручицу за промену брзине на исправну позицију. Ако алат користите тако да је ручица за промену брзине подешена између стране „1“ и „2“, алат се може оштетити.
- Немојте да користите ручицу за промену брзине док алат ради. Може доћи до оштећења алата.

## Подешавање силе затезања

### слика6

Обртни момент затезања се може подесити у 17 корака окретањем прстена за подешавање тако да су подеоци у равни са показивачем на телу алата. Обртни момент је минималан кад је број 1 поравнат са показивачем, а максималан када је ознака 17 поравната са показивачем.

Спојница ће склизнути на различите вредности обртног момента када је постављена на бројеве од 1 до 16. Спојница је дизајнирана тако да не склизне у ознаку 17.

Пре почетка рада, заврните пробни завртањ у материјал или непотребно парче материјала да бисте одредили који је ниво обртног момента потребан за актуелну примену.

## МОНТАЖА

#### ⚠ ПАЖЊА:

- Пре подешавања или провере функција алата увек проверите да ли је алат искључен и акумулатор одвојен пре обављања било каквог посла на алату.

## Постављање или скидање делова за завртање или бушење

### слика7

Окрените наглавак у смеру супротном кретању казаљке на сату да бисте отворили чељусти стезне главе. Поставите део у стезну главу до краја. Окрените наглаван у смеру супротном кретању казаљке на сату да бисте затегли стезну главу. За уклањање дела, окрените наглавак у супротном смеру.

## РАД

#### ⚠ ПАЖЊА:

- Увек убаците акумулатор у потпуности док не легне у позицији. Ако можете видети црвени део на горњој страни тастера, акумулатор није у потпуности у исправној позицији. Убаците га у потпуности тако да се црвени део не види. У супротном, случајно може испасти из алата, изазивајући повреду код вас или особе у вашој близини.

## Завртање

### слика8

#### ⚠ ПАЖЊА:

- Подесите прстен за подешавање на одговарајући ниво обртног момента.

Поставите врх дела за завртање на главу завртња и примените притисак на алат. Покрените алат лагано а потом постепено повећавајте брзину. Пустите прекидач чим спојница захвати.

## **⚠ ПАЖЊА:**

- Уверите се да је део за завијање убачен вертикално у главу завртња, јер у супротном завртањ и/или део могу да се оштете.


## **НАПОМЕНА:**

- Када радите са завртњима за дрво, избушите помоћне рупе да бисте олакшали завртање и спречили одвајање предмета обраде. Погледајте табелу.

Номинални пречник завртња за дрво (мм)	Препоручена величина пилот рупе (мм)
3,1	2,0 - 2,2
3,5	2,2 - 2,5
3,8	2,5 - 2,8
4,5	2,9 - 3,2
4,8	3,1 - 3,4
5,1	3,3 - 3,6
5,5	3,7 - 3,9
5,8	4,0 - 4,2
6,1	4,2 - 4,4

006421

## **Бушење**

Прво, окрените прстен за подешавање тако да је стрелица прављена ка ознаци . Потом наставите на следећи начин.

### **Бушење дрвета**

Приликом бушења дрвета, најбољи резултати се постижу бушилицама за дрво опремљеним завртњем за вођење. Завртањ за вођење олакшава бушење увлачењем дела у предмет обраде.

### **Бушење метала**

Да бисте спречили да предмет обраде склизне на почетку бушења рупе, направите удубљење бушачем и чекићем на месту бушења. Поставите врх дела у удубљење и почните са бушењем.

Користите лубрикант за бушење када бушите метал. Изузетак представља гвозђе и месинг које треба бушити суве.

## **⚠ ПАЖЊА:**

- Прекомерно притискање алата неће убрзати бушење. Заправо, прекомерно притискање само доводи до оштећивања врха дела, смањења учинка алата и скраћења радног века алата.
- Огромна сила делује на алат/део у тренутку пробијања рупе. Држите алат чврсто и будите пажљиви када део почиње да пробија предмет обраде.
- Заглављени део се може уклонити једноставно подешавањем прекидача за преусмерење на ротацију у супротном смеру ради вађења. Међутим, алат може одскочити нагло ако га не држите чврсто.
- Увек стегните мале предмете обраде у стези или сличној стезној справи.
- Ако се алат користи непрестано док се акумулатор не испразни, дозволите алату да се одмори 15 минута пре наставка са свежим акумулатором.

## **ОДРЖАВАЊЕ**

## **⚠ ПАЖЊА:**

- Пре него што почнете с прегледом или одржавањем алата, акумулатор се вади а утикач извучен из утичне.
- Немојте да користите нафту, бензин, разређивач, алкохол и слично. Могу се појавити губитак боје, деформација или оштећење.

**БЕЗБЕДАН** и **ПОУЗДАН** рад алата гарантујемо само ако поправке, свако друго одржавање или подешавање, препустите овлашћеном сервису за алат Makita, уз употребу оригиналних резервних делова Makita.

## **ОПЦИОНИ ДОДАТНИ ПРИБОР**

## **⚠ ПАЖЊА:**

- Ова опрема и прибор намењени су за употребу са алатом Makita описаним у овом упутству за употребу. Употреба друге опреме и прибора може да доведе до повреда. Делове прибора или опрему користите само за предвиђену намену.

Да бисте сазнали детаље у вези са овим додатним прибором обратите се локалном сервисном центру Makita.

- Делови за бушење
- Делови за затезање
- Различити типови Makita оригиналних акумулатора и пуњача
- Адаптер за аутоматско освежавање батерије
- Пластични кофер за пренос

## **НАПОМЕНА:**

- Поједине ставке на листи могу бити укључене у садржај паковања алата као стандардна опрема. Могу се разликовати од земље до земље.

**Объяснения общего плана**

1-1. Красный индикатор	3-1. Курковый выключатель	6-1. Регулировочное кольцо
1-2. Кнопка	4-1. Рычаг реверсивного переключателя	6-2. Градуировка
1-3. Блок аккумулятора	5-1. Рычаг изменения скорости	6-3. Указатель
2-1. Звездочка		7-1. Втулка

**ТЕХНИЧЕСКИЕ ХАРАКТЕРИСТИКИ**

Модель		DDF343	DDF453
Производительность	Сталь	10 мм	13 мм
	Дерево	25 мм	36 мм
	Шуруп	5,1 мм x 63 мм	6 мм x 75 мм
	Мелкий крепежный винт	6 мм	
Число оборотов без нагрузки (мин <sup>-1</sup> )	Высокая (2)	0 - 1 300	
	Низкая (1)	0 - 400	
Общая длина		192 мм	214 мм
Вес нетто		1,4 кг	1,6 кг
Номинальное напряжение		14,4 В пост. Тока	18 В пост. Тока

- Благодаря нашей постоянно действующей программе исследований и разработок, указанные здесь технические характеристики могут быть изменены без предварительного уведомления.
- Технические характеристики и аккумуляторный блок могут отличаться в зависимости от страны.
- Масса (с аккумуляторным блоком) в соответствии с процедурой EPTA 01.2003

ENE034-1

ENG900-1

**Назначение**

Инструмент предназначен для сверления и закручивания шурупов в дерево, металл и пластик.

ENG905-1

**Шум**

Типичный уровень взвешенного звукового давления (A), измеренный в соответствии с EN60745:

**Модель DDF343**

Уровень звукового давления (L<sub>рА</sub>): 70 дБ (A) или менее

Погрешность (K): 3 дБ (A)

Уровень шума при выполнении работ может превышать 80 дБ (A)

**Модель DDF453**

Уровень звукового давления (L<sub>рА</sub>): 72 дБ (A)

Погрешность (K): 3 дБ (A)

Уровень шума при выполнении работ может превышать 80 дБ (A).

**Используйте средства защиты слуха**

**Вибрация**

Суммарное значение вибрации (сумма векторов по трем осям) определяется по следующим параметрам EN60745:

Рабочий режим: сверление металла

Распространение вибрации (a<sub>hD</sub>): 2,5 м/с<sup>2</sup> или менее

Погрешность (K): 1,5 м/с<sup>2</sup>

ENG901-1

- Заявленное значение распространения вибрации измерено в соответствии со стандартной методикой испытаний и может быть использовано для сравнения инструментов.
- Заявленное значение распространения вибрации можно также использовать для предварительных оценок воздействия.

**⚠ ПРЕДУПРЕЖДЕНИЕ:**

- Распространение вибрации во время фактического использования электроинструмента может отличаться от заявленного значения в зависимости от способа применения инструмента.
- Обязательно определите меры безопасности для защиты оператора, основанные на оценке воздействия в реальных условиях использования (с учетом всех этапов рабочего цикла, таких как выключение инструмента, работа без нагрузки и включение).

Только для европейских стран

## Декларация о соответствии ЕС

**Makita** заявляет, что следующее устройство (устройства):

Обозначение устройства:

Аккумуляторная Дрель-шурупверт

Модель / тип: DDF343, DDF453

**Соответствует (-ют) следующим директивам ЕС:**  
2006/42/EC

Изготовлены в соответствии со следующим стандартом или нормативными документами:

EN60745

Технический файл в соответствии с документом 2006/42/EC доступен по адресу:

Makita, Jan-Baptist Vinkstraat 2, 3070, Belgium

31.12.2013



000331

Ясуси Фукайа (Yasushi Fukaya)

Директор

Makita, Jan-Baptist Vinkstraat 2, 3070, Belgium

GEA010-1

## Общие рекомендации по технике безопасности для электроинструментов

**⚠ ПРЕДУПРЕЖДЕНИЕ** Ознакомьтесь со всеми инструкциями и рекомендациями по технике безопасности. Невыполнение инструкций и рекомендаций может привести к поражению электротоком, пожару и/или тяжелым травмам.

**Сохраните брошюру с инструкциями и рекомендациями для дальнейшего использования.**

GEB088-1

## МЕРЫ БЕЗОПАСНОСТИ ПРИ ИСПОЛЬЗОВАНИИ АККУМУЛЯТОРНОЙ ДРЕЛИ-ШУРУПОВЕРТА

1. Используйте дополнительную ручку (если входит в комплект инструмента). Утрата контроля над инструментом может привести к травме.
2. Если при выполнении работ существует риск контакта режущего инструмента со скрытой электропроводкой, держите электроинструмент за специально предназначенные изолированные

поверхности. Контакт с проводом под напряжением приведет к тому, что металлические детали инструмента также будут под напряжением, что приведет к поражению оператора электрическим током.

3. Если при выполнении работ существует риск контакта инструмента со скрытой электропроводкой, держите электроинструмент за специально предназначенные изолированные поверхности. Контакт с проводом под напряжением приведет к тому, что металлические детали инструмента также будут под напряжением, что приведет к поражению оператора электрическим током.
4. При выполнении работ всегда занимайте устойчивое положение. При использовании инструмента на высоте убедитесь в отсутствии людей внизу.
5. Крепко держите инструмент.
6. Руки должны находиться на расстоянии от вращающихся деталей.
7. Не оставляйте работающий инструмент без присмотра. Включайте инструмент только тогда, когда он находится в руках.
8. Сразу после окончания работ не прикасайтесь к бите сверла или детали. Они могут быть очень горячими, что приведет к ожогам кожи.
9. Некоторые материалы могут содержать токсичные химические вещества. Примите соответствующие меры предосторожности, чтобы избежать вдыхания или контакта с кожей таких веществ. Соблюдайте требования, указанные в паспорте безопасности материала.

## СОХРАНИТЕ ДАННЫЕ ИНСТРУКЦИИ.

### ⚠ ПРЕДУПРЕЖДЕНИЕ:

**НЕ ДОПУСКАЙТЕ**, чтобы удобство или опыт эксплуатации данного устройства (полученный от многократного использования) доминировали над строгим соблюдением правил техники безопасности при обращении с этим устройством. НЕПРАВИЛЬНОЕ ИСПОЛЬЗОВАНИЕ инструмента или несоблюдение правил техники безопасности, указанных в данном руководстве, может привести к тяжелой травме.

## ВАЖНЫЕ ИНСТРУКЦИИ ПО ТЕХНИКЕ БЕЗОПАСНОСТИ

### ДЛЯ АККУМУЛЯТОРНОГО БЛОКА

1. Перед использованием аккумуляторного блока прочитайте все инструкции и предупреждающие надписи на (1) зарядном устройстве, (2) аккумуляторном блоке и (3) инструменте, работающем от аккумуляторного блока.
2. Не разбирайте аккумуляторный блок.
3. Если время работы аккумуляторного блока значительно сократилось, немедленно прекратите работу. В противном случае, может возникнуть перегрев блока, что приведет к ожогам и даже к взрыву.
4. В случае попадания электролита в глаза, промойте их обильным количеством чистой воды и немедленно обратитесь к врачу. Это может привести к потере зрения.
5. Не замыкайте контакты аккумуляторного блока между собой:
  - (1) Не прикасайтесь к контактам какими-либо токопроводящими предметами.
  - (2) Не храните аккумуляторный блок в контейнере вместе с другими металлическими предметами, такими как гвозди, монеты и т. п.
  - (3) Не допускайте попадания на аккумуляторный блок воды или дождя. Замыкание контактов аккумуляторного блока между собой может привести к возникновению большого тока, перегреву, возможному ожогу и даже разрыву блока.
6. Не храните инструмент и аккумуляторный блок в местах, где температура может достигать или превышать 50 ° C (122 ° F).
7. Не бросайте аккумуляторный блок в огонь, даже если он сильно поврежден или полностью вышел из строя. Аккумуляторный блок может взорваться под действием огня.
8. Не роняйте и не ударяйте аккумуляторный блок.
9. Не используйте поврежденный аккумуляторный блок.

### СОХРАНИТЕ ДАННЫЕ ИНСТРУКЦИИ.

### Советы по обеспечению максимального срока службы аккумуляторного блока

1. Заряжайте аккумуляторный блок до того, как он полностью разрядится.  
В случае потери мощности при эксплуатации инструмента, прекратите работу и зарядите аккумуляторный блок.
2. Никогда не заряжайте полностью заряженный аккумуляторный блок. Перезарядка сокращает срок службы блока.
3. Заряжайте аккумуляторный блок при комнатной температуре в пределах от 10 ° C до 40 ° C (от 50 ° F до 104 ° F). Перед зарядкой дайте горячему аккумуляторному блоку остыть.
4. Если инструмент не используется в течение длительного времени, заряжайте аккумуляторный блок один раз в шесть месяцев.

# ОПИСАНИЕ ФУНКЦИОНИРОВАНИЯ

## ⚠️ПРЕДУПРЕЖДЕНИЕ:

- Перед регулировкой или проверкой функционирования всегда отключайте инструмент и вынимайте блок аккумуляторов.

## Установка или снятие блока аккумулятора

### Рис.1

- Обязательно выключайте инструмент перед установкой и извлечением аккумуляторного блока.
- Для снятия аккумуляторного блока нажмите кнопку на лицевой стороне и извлеките блок.
- Для установки блока аккумуляторной батареи совместите выступ блока с пазом в корпусе и задвиньте его на место. Всегда устанавливайте блок до упора так, чтобы он зафиксировался на месте с небольшим щелчком. Если вы можете видеть красный индикатор на верхней части клавиши, аккумуляторный блок не полностью установлен на месте. Установите его до конца так, чтобы красный индикатор был не виден. В противном случае аккумуляторный блок может выпасть из инструмента и нанести травму вам или другим людям.
- Не применяйте силу при установке аккумуляторного блока. Если блок не двигается свободно, значит он вставлен неправильно.

## Система защиты аккумуляторной батареи (ионно-литиевый аккумуляторный блок со звездочкой)

### Рис.2

В ионно-литиевых аккумуляторных блоках со звездочкой предусмотрена система защиты. Она автоматически отключает питание для продления срока службы аккумуляторного блока.

Инструмент автоматически остановится во время работы при возникновении указанных ниже ситуаций:

- Перегрузка:  
Из-за способа эксплуатации инструмент потребляет очень большое количество тока.  
В этом случае отпустите курковый переключатель на инструменте и прекратите использование, повлекшее перегрузку инструмента. Затем снова нажмите на курковый выключатель для перезапуска.

Если инструмент не включается, значит, перегрелся аккумуляторный блок. В этом случае дайте ему остыть перед повторным нажатием на курковый выключатель.

- Низкое напряжение аккумуляторной батареи:  
Уровень оставшегося заряда аккумулятора слишком низкий и инструмент не работает. В этом случае снимите и зарядите аккумуляторный блок.

## Действие выключателя

### Рис.3

## ⚠️ПРЕДУПРЕЖДЕНИЕ:

- Перед вставкой блока аккумуляторов в инструмент, всегда проверяйте, что триггерный переключатель работает надлежащим образом и возвращается в положение "ВЫКЛ", если его отпустить.

Для запуска инструмента просто нажмите триггерный переключатель. Скорость инструмента увеличивается при увеличении давления на триггерный переключатель. Отпустите триггерный переключатель для остановки.

## Действие реверсивного переключателя

### Рис.4

Данный инструмент имеет реверсивный переключатель для изменения направления вращения. Нажмите на рычаг реверсивного переключателя со стороны А для вращения по часовой стрелке или со стороны В для вращения против часовой стрелки. Когда рычаг реверсивного переключателя находится в нейтральном положении, триггерный переключатель нажать нельзя.

## ⚠️ПРЕДУПРЕЖДЕНИЕ:

- Перед работой всегда проверяйте направление вращения.
- Пользуйтесь реверсивным переключателем только после полной остановки инструмента. Изменение направления вращения до полной остановки инструмента может привести к его повреждению.
- Если инструмент не используется, всегда переводите рычаг реверсивного переключателя в нейтральное положение.

## Изменение скорости

### Рис.5


Для изменения скорости, сначала отключите инструмент, затем переведите рычаг переключения скорости в положение "2" для высокой скорости или в положение "1" для низкой скорости. Перед эксплуатацией убедитесь в том, что рычаг переключения скорости установлен в надлежащее положение. Используйте надлежащую скорость для Вашей работы.


## **⚠ ПРЕДУПРЕЖДЕНИЕ:**

- Всегда полностью переводите рычаг изменения скорости в правильное положение. Если Вы работаете с инструментом, а рычаг изменения скорости находится посередине между обозначениями "1" и "2", это может привести к повреждению инструмента.
- Не используйте рычаг переключения скорости при работающем инструменте. Это может привести к повреждению инструмента.

## **Регулировка крутящего момента затяжки**

### **Рис.6**

Крутящий момент затяжки можно регулировать в 17 шагов путем поворота регулировочного кольца, чтобы его градации совмещались с указателем на корпусе инструмента. Крутящий момент затяжки минимален, когда цифра 1 совмещена с указателем, и максимален, когда отметка  совмещена с указателем.

Муфта будет проскальзывать при различных уровнях крутящего момента, установленного на значение от 1 до 16. Муфта спроектирована так, что она не проворачивается у отметки .

Перед началом фактической работы, закрутите пробный шуруп в Ваш материал или деталь из подобного материала, чтобы определить необходимый крутящий момент затяжки для данного конкретного случая.

## **МОНТАЖ**

### **⚠ ПРЕДУПРЕЖДЕНИЕ:**

- Перед проведением каких-либо работ с инструментом всегда проверяйте, что инструмент отключен, а блок аккумуляторов снят.

## **Установка или снятие отверточной биты или сверла**

### **Рис.7**

Поверните втулку против часовой стрелки для открытия зажимных кулачков. Вставьте сверло в зажимной патрон как можно глубже. Поверните втулку по часовой стрелке для затяжки патрона. Для снятия биты, поверните патрон против часовой стрелки.

## **ЭКСПЛУАТАЦИЯ**

### **⚠ ПРЕДУПРЕЖДЕНИЕ:**

- Всегда вставляйте блок аккумуляторов до конца, пока он не зафиксируется на месте. Если Вы можете видеть красную часть верхней стороны кнопки, она закрыта не полностью. Полностью вставьте ее, чтобы красную часть не было видно. Если этого не сделать, блок может неожиданно выпасть из инструмента и причинить Вам или кому-либо около Вас травмы.

## **Работа в режиме шуруповерта**

### **Рис.8**

#### **⚠ ПРЕДУПРЕЖДЕНИЕ:**

- Установите регулировочное кольцо на соответствующий уровень крутящего момента для Вашей работы.

Вставьте острие отверточной биты в головку винта и надавите на инструмент. Включите инструмент на медленной скорости, затем постепенно увеличивайте ее. Отпустите триггерный переключатель, как только сработает сцепление.

#### **⚠ ПРЕДУПРЕЖДЕНИЕ:**

- Следите за тем, чтобы отверточная бита вставлялась прямо в головку винта, иначе можно повредить винт и/или биты.


#### **Примечание:**

- При работе с винтами для дерева, высверлите пробные отверстия для упрощения работы и предотвращения разламывания деревянной рабочей детали. См. таблицу.

Номинальный диаметр шурупа (мм)	Рекомендуемый размер пробного отверстия (мм)
3,1	2,0 - 2,2
3,5	2,2 - 2,5
3,8	2,5 - 2,8
4,5	2,9 - 3,2
4,8	3,1 - 3,4
5,1	3,3 - 3,6
5,5	3,7 - 3,9
5,8	4,0 - 4,2
6,1	4,2 - 4,4

006421

## **Сверление**

Сначала поверните регулировочное кольцо, чтобы совместить указатель с отметкой . Затем проделайте следующее.

### **Сверление в дереве**

При сверлении в дереве, наилучшие результаты достигаются при использовании сверл для дерева, снабженных направляющим винтом. Направляющий винт упрощает сверление, удерживая сверло в обрабатываемой детали.

### **Сверление металла**

Для предотвращения скольжения сверла при начале сверления, сделайте углубление с помощью кернера и молотка в точке сверления. Вставьте острие сверла в выемку и начните сверлить.

При сверлении металлов используйте смазку для резки. Исключение составляют чугун и латунь, которые надо сверлить сухо.

#### **⚠ ПРЕДУПРЕЖДЕНИЕ:**

- Чрезмерное нажатие на инструмент не ускорит сверление. На самом деле, чрезмерное давление только повредит наконечник Вашего сверла, снизит производительность



инструмента и сократит срок его службы.

- Когда просверливаемое отверстие становится сквозным, на инструмент/сверло воздействует значительная сила. Крепко удерживайте инструмент и будьте осторожны, когда сверло начинает проходить сквозь обрабатываемую деталь.
- Застрявшее сверло можно вынуть путем простого переключения реверсивного переключателя на обратное вращение задним ходом. Однако инструмент может повернуться в обратном направлении слишком быстро, если его не держать крепко.
- Всегда закрепляйте небольшие обрабатываемые детали в тисках или подобном зажимном устройстве.
- Если инструмент эксплуатировался непрерывно до разряда блока аккумуляторов, сделайте перерыв на 15 минут перед началом работы с заряженным аккумулятором.

#### Примечание:

- Некоторые элементы списка могут входить в комплект инструмента в качестве стандартных приспособлений. Они могут отличаться в зависимости от страны.

## ТЕХОБСЛУЖИВАНИЕ

### ⚠️ ПРЕДУПРЕЖДЕНИЕ:

- Перед проведением проверки или работ по техобслуживанию, всегда проверяйте, что инструмент выключен, а блок аккумуляторов вынут.
- Запрещается использовать бензин, лигроин, растворитель, спирт и т.п. Это может привести к изменению цвета, деформации и появлению трещин.

Для обеспечения БЕЗОПАСНОСТИ и НАДЕЖНОСТИ оборудования, ремонт, любое другое техобслуживание или регулировку необходимо производить в уполномоченных сервис-центрах Makita, с использованием только сменных частей производства Makita.

## ДОПОЛНИТЕЛЬНЫЕ ПРИНАДЛЕЖНОСТИ

### ⚠️ ПРЕДУПРЕЖДЕНИЕ:

- Эти принадлежности или насадки рекомендуется использовать вместе с вашим инструментом Makita, описанным в данном руководстве. Использование каких-либо других принадлежностей или насадок может представлять опасность получения травм. Используйте принадлежность или насадку только по указанному назначению.

Если вам необходимо содействие в получении дополнительной информации по этим принадлежностям, свяжитесь со своим местным сервис-центром Makita.

- Сверла
- Отверточные биты
- Различные типы оригинальных аккумуляторов и зарядных устройств Makita
- Автоматический адаптер восстановления
- Пластмассовый чемодан для переноски

**Пояснення до загального виду**

1-1. Червоний індикатор	3-1. Кнопка вимикача	6-2. Градування
1-2. Кнопка	4-1. Важіль перемикача реверсу	6-3. Показчик
1-3. Касета з акумулятором	5-1. Важіль зміни швидкості	7-1. Патрон
2-1. Маркувальна зірочка	6-1. Кільце регулювання	

**ТЕХНІЧНІ ХАРАКТЕРИСТИКИ**

Модель		DDF343	DDF453
Діаметр свердління	Сталь	10 мм	13 мм
	Деревина	25 мм	36 мм
	Шуруп	5,1 мм x 63 мм	6 мм x 75 мм
	Гвинт для металу	6 мм	
Швидкість без навантаження (хв <sup>-1</sup> )	Високий (2)	0 - 1300	
	Низький (1)	0 - 400	
Загальна довжина		192 мм	214 мм
Чиста вага		1,4 кг	1,6 кг
Номінальна напруга		14,4 В пост. струму	18 В пост. струму

• Через те, що ми не припиняємо програми досліджень і розвитку, наведені тут технічні характеристики можуть бути змінені без попередження.

• Технічні характеристики приладу та касета з акумулятором можуть відрізнятися в різних країнах.

• Вага разом з касетою з акумулятором відповідно до EPTA-Procedure 01/2003

ENE034-1

ENG901-1

**Призначення**

Інструмент призначено для свердління та встановлення гвинтів у деревину, метал та пластмасу.

ENG905-1

**Шум**

Рівень шуму за шкалою A у типовому виконанні, визначений відповідно до EN60745:

**Модель DDF343**

Рівень звукового тиску (L<sub>ра</sub>): 70 дБ (A) або менше  
Погрішність (K): 3 дБ (A)

Рівень шуму під час роботи може перевищувати 80 дБ (A)

**Модель DDF453**

Рівень звукового тиску (L<sub>ра</sub>): 72 дБ (A)  
Погрішність (K): 3 дБ (A)

Рівень шуму під час роботи може перевищувати 80 дБ (A).

**Користуйтеся засобами захисту слуху**

ENG900-1

**Вібрація**

Загальна величина вібрації (сума трьох векторів) визначена згідно з EN60745:

Режим роботи: свердління металу  
Вібрація (a<sub>h,D</sub>): 2,5 м/с<sup>2</sup> або менше  
Похибка (K): 1,5 м/с<sup>2</sup>

- Заявлене значення вібрації було виміряно у відповідності до стандартних методів тестування та може використовуватися для порівняння одного інструмента з іншим.
- Заявлене значення вібрації може також використовуватися для попередньої оцінки впливу.

**⚠УВАГА:**

- Залежно від умов використання вібрація під час фактичної роботи інструмента може відрізнятися від заявленого значення вібрації.
- Забезпечте належні запобіжні заходи для захисту оператора, що відповідатимуть умовам використання інструмента (слід брати до уваги всі складові робочого циклу, такі як час, коли інструмент вимкнено та коли він починає працювати на холостому ході під час запуску).

ENH101-17

**Тільки для країн Європи**

**Декларація про відповідність стандартам ЄС**

**Компанія Makita наголошує на тому, що обладнання:**

Позначення обладнання:

Дриль із бездротовим приводом

№ моделі/тип: DDF343,DDF453

**Відповідає таким Європейським Директивам:**  
2006/42/EC

Обладнання виготовлене відповідно до таких стандартів або стандартизованих документів:

EN60745

Технічну інформацію відповідно до 2006/42/EC можна отримати:

Makita, Jan-Baptist Vinkstraat 2, 3070, Бельгія

31.12.2013



000331

Ясуші Фукайя  
Директор

Makita, Jan-Baptist Vinkstraat 2, 3070, Бельгія

GEA010-1

## **Застереження стосовно техніки безпеки при роботі з електроприладами**

**⚠ УВАГА!** Прочитайте усі застереження стосовно техніки безпеки та всі інструкції. Недотримання даних застережень та інструкцій може призвести до ураження струмом та виникнення пожежі та/або серйозних травм.

**Збережіть усі інструкції з техніки безпеки та експлуатації на майбутнє.**

GENE088-1

## **ПОПЕРЕДЖЕННЯ ПРО НЕОБХІДНУ ОБЕРЕЖНІСТЬ ПІД ЧАС ВИКОРИСТАННЯ АКУМУЛЯТОРНОГО ДРИЛЯ-ШУРУПОВЕРТА**

1. Використовуйте допоміжну(і) ручку(и), якщо вона(и) поставляються разом з інструментом. Втрата контролю може призвести до травм.
2. Тримайте електроприлад за ізольовані поверхні держака під час виконання дії, за якої ріжучий пристрій може зачепити сховану електропроводку. Торкання ріжучим пристроєм струмоведучої проводки може призвести до передання напруги до оголених металевих частин інструмента та до ураження оператора електричним струмом.
3. Тримайте електроприлад за ізольовані поверхні захоплення під час виконання дії, за якої він може зачепити сховану проводку. Під час контактування приладу з дротом під напругою його оголені металеві частини також можуть опинитися під напругою та призвести

- до ураження оператора електричним струмом.
4. **Завжди майте тверду опору.**  
При виконанні висотних робіт переконайтеся, що під Вами нікого немає.
5. **Міцно тримайте інструмент.**
6. **Не торкайтесь руками частин, що обертаються.**
7. **Не залишайте інструмент працюючим.** Працюйте з інструментом тільки тоді, коли тримаєте його в руках.
8. **Не торкайтесь свердла або заготовки одразу після свердління;** вони можуть бути дуже гарячими і спричинити опіки шкіри.
9. Деякі матеріали мають у своєму складі токсичні хімічні речовини. Будьте уважні, щоб запобігти вдихання пилу та контактів зі шкірою. Дотримуйтеся правил техніки безпеки виробника матеріалу .

## **ЗБЕРІГАЙТЕ ЦІ ВКАЗІВКИ.**

### **⚠УВАГА:**

НІКОЛИ НЕ СЛІД втрачати пильності та розслаблятися під час користування виробом (що трапляється при частому використанні); слід завжди строго дотримуватися правил безпеки під час використання цього пристрою. **НЕНАЛЕЖНЕ ВИКОРИСТАННЯ** або недотримання правил безпеки, викладених в цьому документі, може призвести до серйозних травм.

ENC007-7

## **ВАЖЛИВІ ІНСТРУКЦІЇ БЕЗПЕКИ ДЛЯ КАСЕТИ АКУМУЛЯТОРА**

1. Перед тим як користуватися касетою акумулятора, слід прочитати усі інструкції та попереджувачі відмітки щодо (1) зарядний пристрій акумулятора, (2) акумулятор та (3) виробу, що працюють від акумулятора.
2. Не слід розбирати касету акумулятора.
3. Якщо період роботи дуже покоротшав, слід негайно припинити користування. Це може призвести до ризику перегріву, опіку та навіть вибуху.
4. Якщо електродіт потрапив до очей, слід промити їх чистою водою та негайно звернутися за медичного закладу. Це може призвести до втрати зору.

# ІНСТРУКЦІЯ З ВИКОРИСТАННЯ

## ⚠ОБЕРЕЖНО:

- Завжди перевіряйте, щоб прилад був вимкнений, а касета з акумулятором була знята, перед регулюванням або перевіркою функціонування інструмента.

## Встановлення та зняття касети з акумулятором.

### мал.1

- Завжди вимикайте інструмент перед встановленням або зніманням касети з акумулятором.
- Щоб зняти касету з акумулятором, слід витягнути її з інструмента, натиснувши на кнопку в передній частині касети.
- Щоб вставити касету з акумулятором, слід сумістити шпонку касети з акумулятором із пазом в корпусі та вставити касету. Завжди вставляйте її до клацання. Якщо на верхній частині кнопки видно червоний індикатор, це означає, що вона заблокована неповністю. Вставляйте касету повністю, аж поки червоний індикатор стане невидимим. Якщо цього не зробити, то касета може випадково випасти з інструмента та спричинити травми вам або людям, що знаходяться поряд.
- Не застосовуйте силу, вставляючи касету з акумулятором. Якщо касета не вставляється легко, то це означає, що ви її невірно вставляєте.

## Система захисту акумулятора (літій-іонний акумулятор з маркувальною зірочкою)

### мал.2

Літій-іонні акумулятори з маркувальною зірочкою оснащені системою захисту. Ця система автоматично вимикає живлення інструмента з метою збільшення робочого часу акумулятора. Інструмент буде автоматично вимкнений під час роботи, якщо він та/або акумулятор знаходиться в таких умовах:

- Перенавантаження:  
Інструмент споживає струм занадто високої потужності під час роботи. У такому разі відпустить курковий перемикач інструмента та зупинить роботу, яка призвела до перенавантаження інструмента. Потім натисніть на курковий перемикач, щоб знову запустити інструмент.  
Якщо інструмент неможливо запустити, це означає, що акумулятор перегрівся. У такому разі дайте акумулятору охолонути, перш ніж знову натиснути на курковий перемикач.

5. Не закоротіть касету акумулятора.
  - (1) Не слід торкатися клем будь-яким струмопровідним матеріалом.
  - (2) Не слід зберігати касету акумулятора в ємності з іншими металевими предметами, такими як цвяхи, монети і т.д.
  - (3) Не виставляйте касету з батареєю під дощ чи сніг.Коротке замикання може призвести до появи значного струму, перегріву та можливим опікам та навіть поломки.
6. Не слід зберігати інструмент та касету з акумулятором в містах, де температура може сягнути та перевищити 50гр.° C (122° F).
7. Не слід спалювати касету з акумулятором навіть, якщо вона була неодноразово пошкоджена або повністю спрацьована. Касета з акумулятором може вибухнути в огні.
8. Не слід кидати або ударяти акумулятор.
9. Не слід використовувати пошкоджений акумулятор.

## ЗБЕРІГАЙТЕ ЦІ ВКАЗІВКИ.

### Поради по забезпеченню максимального строку експлуатації акумулятора

1. Касету з акумулятором слід заряджати до того, як він розрядиться повністю. Завжди слід зупинити роботу інструменту та зарядити акумулятор, якщо ви помітили зменшення потужності інструменту.
2. Ніколи не слід заряджати повторно повністю заряджену касету з акумулятором. Перезарядження скорочує строк експлуатації акумулятора.
3. Касету з акумулятором слід заряджати при кімнатній температурі 10° C - 40° C (50° F - 104° F). Перед тим як заряджати касету з акумулятором слід зачекати доки вона охолоне.
4. Заряджайте касету з акумулятором кожні шість місяців, якщо не використовуєте її протягом тривалого часу.

- Низька напруга акумулятора:  
Залишковий заряд акумулятора занадто низький, тому інструмент не буде працювати. У такому разі зніміть та зарядіть акумулятор.

### Дія вимикача.

#### мал.3

#### ⚠ОБЕРЕЖНО:

- Перед тим, як вставляти касету з акумулятором в інструмент, слід перевірити належну роботу курка вимикача, тобто щоб він повертався у положення "ВИМК.", коли його відпускають.

Для того, щоб запустити інструмент, слід просто натиснути на курок вимикача. Швидкість обертання інструмента збільшується шляхом збільшення тиску на курок вимикача. Для зупинення роботи курок слід відпустити.

### Дія вимикача-реверсера.

#### мал.4

Інструмент обладнаний перемикачем зворотного ходу для зміни напрямку обертання. Для обертання по годинниковій стрілці важіль-перемикач слід пересунути в положення "А", проти годинникової стрілки - в положення "В".

Коли важіль-перемикач поставлений в нейтральне положення, курок не може бути натиснутий.

#### ⚠ОБЕРЕЖНО:

- Перед початком роботи слід завжди перевіряти напрямок обертання.
- Перемикач зворотного ходу можна використовувати тільки після повної зупинки інструмента. Зміна напрямку обертання до повної зупинки інструмента може його пошкодити.
- Коли інструмент не використовується, важіль-перемикач повинен знаходитись в нейтральному положенні.

### Зміна швидкості

#### мал.5

Для зміни швидкості слід спочатку вимкнути інструмент, а потім пересунути важіль зміни швидкості в положення "2" для високої швидкості або в положення "1" для низької. Перед тим, як починати роботу, перевірте, щоб важіль зміни швидкості знаходився у вірному положенні. Використовуйте швидкість, що відповідає типу робіт.

#### ⚠ОБЕРЕЖНО:

- Важіль зміни швидкості слід завжди повністю пересувати у належне положення. Якщо інструмент експлуатується, коли важіль зміни швидкості пересунутий наполовину між положенням "1" та "2", інструмент може бути пошкоджений.

- Неможна користуватись важелем зміни швидкості, коли інструмент працює. Інструмент може пошкодитись.

### Регулювання моменту затягування

#### мал.6

Момент затягування можна регулювати на 17 положень шляхом повертання кільця регулювання таким чином, щоб його шкала суміщалась із стрілкою на корпусі інструмента. Момент затягування є мінімальним, коли покажчик суміщений з "1", а максимальним - коли з покажчиком суміщена мітка 8.

Зчеплення прослизатиме на моментах затягування різних рівнів від номера 1 до 16. Зчеплення сконструйоване таким чином, що воно не прослизає на мітці 8.

Перед тим, як власне починати роботу, слід вкрутити пробний гвинт в матеріал або деталь для того, щоб визначити рівень моменту затягування, необхідного для даних робіт.

## КОМПЛЕКТУВАННЯ

#### ⚠ОБЕРЕЖНО:

- Завжди перевіряйте, щоб прилад був вимкнений, а касета з акумулятором була знята, перед тим, як проводити будь-які роботи на інструменті.

### Встановлення та зняття викрутки або свердла

#### мал.7

Поверніть муфту проти годинникової стрілки для того, щоб відкрити кулачки патрона. Вставте свердло або викрутку до упора. Поверніть муфту по годинниковій стрілці для того, щоб затягнути кулачки патрона.

Для того, щоб зняти свердло або відкрутку, поверніть муфту проти годинникової стрілки.

## ЗАСТОСУВАННЯ

#### ⚠ОБЕРЕЖНО:

- Касету із акумулятором слід завжди вставляти повністю, доки вона не заблокується на місці. Якщо на верхній частині кнопки видна червона частина, це означає, що вона заблокована неповністю. Вставте касету повністю, доки червону частину не буде видно. Якщо цього не зробити, то касета може випадково випасти з інструмента та поранити вас або людей, що знаходяться поряд.

## Операції з вгвинчування

### мал.8

#### ⚠ОБЕРЕЖНО:

- Відрегулюйте гвинт регулювання на величину обертального моменту, необхідну для роботи.

Вставте наконечник викрутки в голівку гвинта та натисніть на інструмент. Повільно запустіть інструмент, а потім поступово збільшуйте швидкість. Курок слід відпускати одразу після того, як було задіяне зчеплення.

#### ⚠ОБЕРЕЖНО:

- Перевірте, щоб викрутка була рівно вставлена в голівку гвинта, інакше гвинт та/або викрутка можуть пошкодитись.


#### ПРИМІТКА:

- Під час закручування гвинтів для деревини слід просвердити напрямні отвори для полегшення закручування та запобігання розтріскуванню деталі. Див. таблицю.

Номинальний діаметр гвинта для деревини (мм)	Рекомендований розмір напрямного отвору (мм)
3,1	2,0 - 2,2
3,5	2,2 - 2,5
3,8	2,5 - 2,8
4,5	2,9 - 3,2
4,8	3,1 - 3,4
5,1	3,3 - 3,6
5,5	3,7 - 3,9
5,8	4,0 - 4,2
6,1	4,2 - 4,4

006421

### Свердління

Спочатку поверніть кільце регулювання таким чином, щоб покажчик вказував на мітку . Потім виконайте наступні кроки.

#### Свердління деревини

При свердлінні по деревині найкращі результати досягаються, коли свердла для деревини оснащені напрямним гвинтом. Направний гвинт полегшує свердління тим, що він втягує свердло в заготовку.

#### Свердління металу

Щоб запобігти прослизанню свердла на початку свердління, місце свердління необхідно накернити. Помістіть кінець свердла в накернене місце і починайте свердління.

При свердлінні металів використовується змащувально-охолоджувальна рідина. Виключення становлять чавун та мідь, які свердлять насухо.

#### ⚠ОБЕРЕЖНО:

- Надмірний тиск на інструмент не пришвидшує свердління. Насправді надмірний тиск може лише пошкодити свердло, зменшити продуктивність інструменту та вкоротити термін його експлуатації.

- Під час свердління на інструмент/наконечник діє величезна крутна сила. Слід тримати інструмент міцно та бути обережним, коли наконечник починає входити в заготовку.
- Свердло, яке заклінило, можна легко видалити, встановивши перемикач реверсу на зворотній напрямок обертання, щоб отримати задній хід. Однак, задній хід інструменту може бути надто різким, якщо Ви не будете його міцно тримати.
- Невелику заготовку слід затискувати в лещата або подібний пристрій.
- Якщо інструмент експлуатується постійно, доки не розрядиться касета з акумулятором, то перед тим, як встановлювати новий акумулятор, інструментові треба дати відпочити протягом 15 хвилин.

## ТЕХНІЧНЕ ОБСЛУГОВУВАННЯ

#### ⚠ОБЕРЕЖНО:

- Завжди перевіряйте, щоб прилад був вимкнений, а касета з акумулятором була знята, перед проведенням перевірки або обслуговування.
- Ніколи не використовуйте газолін, бензин, розріджувач, спирт та подібні речовини. Їх використання може призвести до зміни кольору, деформації та появи тріщин.

Для того, щоб підтримувати БЕЗПЕКУ та НАДІЙНІСТЬ, ремонт, технічне обслуговування або регулювання мають виконувати уповноважені центри обслуговування "Макіта", де використовуються лише стандартні запчастини "Макіта".

## ДОДАТКОВЕ ПРИЛАДДЯ

#### ⚠ОБЕРЕЖНО:

- Це оснащення або приладдя рекомендовано для використання з інструментами "Макіта", що описані в інструкції з експлуатації. Використання якогось іншого оснащення або приладдя може спричинити травмування. Оснащення або приладдя слід використовувати лише за призначенням.

У разі необхідності, отримати допомогу в більш детальному ознайомленні з оснащенням звертайтеся до місцевого Сервісного центру "Макіта".

- Свердла
- Викрутки
- Різні типи оригінальних акумуляторів та зарядних пристроїв виробництва компанії Makita
- Автоматичний заряджаючий адаптер
- Пластмасова валіза для транспортування

#### ПРИМІТКА:

- Деякі елементи списку можуть входити до комплекту інструмента як стандартне приладдя. Вони можуть відрізнятися залежно від країни.



**Makita** Jan-Baptist Vinkstraat 2, 3070, Belgium  
**Makita Corporation** Anjo, Aichi, Japan

885264A966

[www.makita.com](http://www.makita.com)

**TMby**  
ONLINE STORE

<https://tm.by>  
Интернет-магазин