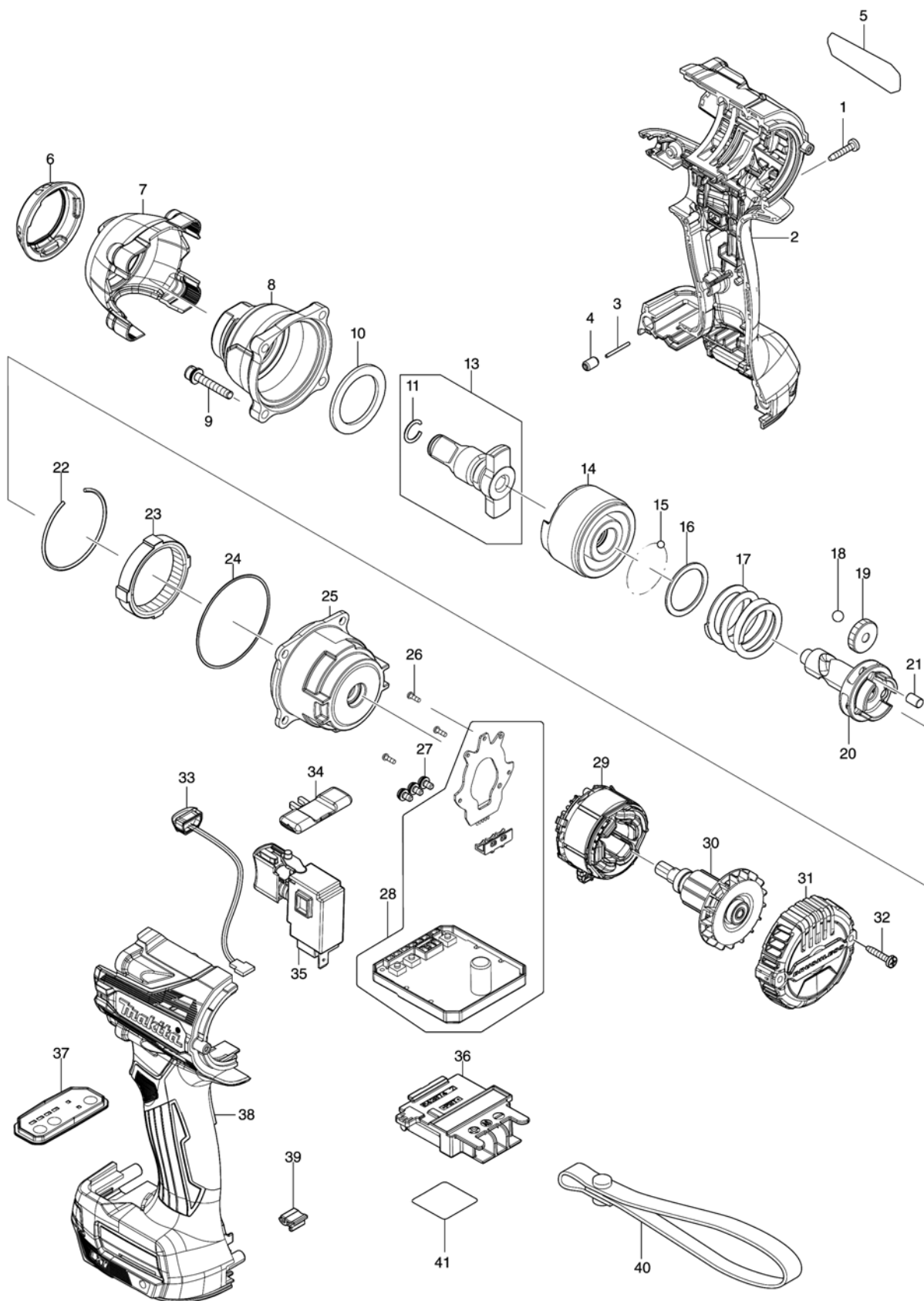


Model No.DTW300 CORDLESS IMPACT WRENCH



Model No.DTW300 CORDLESS IMPACT WRENCH

Item	Parts No.	Description	I/C	Qty	New/Old	Opt. 1	Opt. 2	Note
001	266130-9	TAPPING SCREW BIND PT 3X16		8				
002	183P27-2	HOUSING SET		1				
C10	263005-3	RUBBER PIN 6		2				
C20	252126-6	HEX. LOCK NUT M4-7		2				
D10		INC. 38						
003	268284-8	PIN 1.5		1				
004	263036-2	RUBBER PIN 5		1				
005	857A18-6	DTW300 NAME PLATE		1				
006	422584-2	BUMPER		1				
007	412556-5	HAMMER CASE COVER		1				
008	140T36-8	HAMMER CASE COMPLETE		1				
009	265472-8	HEX. SOCKET HEAD BOLT M4X25		4				
010	261154-0	NYLON WASHER 28		1				
011	231907-1	RING SPRING 10		1				
013	136223-5	ANVIL E ASSY		1				
D10		INC. 11						
014	327572-3	HAMMER		1				
015	216001-0	STEEL BALL 3.5		24				
016	267175-0	FLAT WASHER 24		1				
017	232615-7	COMPRESSION SPRING 25		1				
018	216011-7	STEEL BALL 5.6		2				
019	227338-0	SPUR GEAR 22		3				
020	327573-1	SPINDLE		1				
021	268311-1	PIN 5		3				
022	233910-8	RING SPRING 43		1				
023	227337-2	INTERNAL GEAR 51		1				
024	213785-1	O-RING 49		1				
025	140T37-6	INTERNAL GEAR CASE COMPLETE		1				
026	266490-9	TAPPING SCREW PT 2X6		3				
027	652069-6	FLAT HEAD SCREW M3X6		3				
028	620C64-2	CONTROLLER		1				
029	629477-6	STATOR		1				
030	619626-3	ROTOR		1				
031	412555-7	REAR COVER		1				
032	266130-9	TAPPING SCREW BIND PT 3X16		2				
033	620521-2	LED CIRCUIT		1				
034	455053-8	F/R CHANGE LEVER		1				
035	651443-5	SWITCH C3JR-4B		1				
036	643874-2	TERMINAL		1				
037	140T43-1	SWITCH PLATE COMPLETE		1				

Please order the parts with part number.

Print Date 30/6/2020

Model No.DTW300 CORDLESS IMPACT WRENCH

Item	Parts No.	Description	I/C	Qty	New/Old	Opt. 1	Opt. 2	Note
C10	8012S9-8	SWITCH LABEL		1				
038	183P27-2	HOUSING SET		1				
C10	263005-3	RUBBER PIN 6		2				
C20	252126-6	HEX. LOCK NUT M4-7		2				
D10		INC. 2						
039	424517-3	CUSHION		1				
041	857A26-7	DTW300 SERIAL NUMBER LABEL		1				
A01	266622-8	+ TRUSS HEAD SCREW M4X12		1				
A02	346317-0	HOOK		1				
A03B	821550-0	CONNECTOR PLASTIC CASE (TYPE2)		1				
C10	453974-8	LATCH		4				
A04B	835L10-8	INNER TRAY		1				
A05B	8013Y9-6	DTW300RTJ PLASTIC CASE LABEL		2				
A06B	8013Y8-8	DTW300RTJ INDICATION LABEL		1				
A07B	***DC18RC	DC18RC FAST CHARGER		1				
D10		COMPO-PARTS						
A08B	450128-8	BATTERY COVER		1				
A09B	197280-8	BATTERY BL1850B SET		2				

Please order the parts with part number.

Print Date 30/6/2020