



**Поставщик / производитель:** Xinjiang Longbo Industrial Co., Ltd./Синзянь Лонгбо Индастриал Ко., Лтд.

**Адрес производства:** Rm. 602, 6th Floor, No. 531, Weixing Road, Economic And Technological Development Zone, Urumqi, Xinjiang, China / Оф.602, 6 этаж, №531, Вейшинг Родд, Экономик Энд Техноложикал Девелопмент Зон, Урумчи, Синзянь, Китай

**Импортер/ организация, уполномоченная принимать претензии:** ООО «Турбо-Тулс»

**Юридический адрес:** 614058, Пермский край, г. Пермь, ул. Фоминская, 36  
info@pittools.ru



[www.pit-tools.com](http://www.pit-tools.com)



**P.I.T.**<sup>®</sup>  
Progressive Innovational Technology

**EN** PRODUCT PASSPORT  
USER'S MANUAL

**RU** ПАСПОРТ ИЗДЕЛИЯ  
ИНСТРУКЦИЯ ПОЛЬЗОВАТЕЛЯ

## **ELECTRIC HAMMER DRILL** **ПЕРФОРАТОР ЭЛЕКТРИЧЕСКИЙ**



**PBH26-C4**  
**PBH28-C3**  
**PBH32-C4**

**EAC**

**PROGRESSIVE INNOVATIONAL TECHNOLOGY**  
**ПРОГРЕССИВНЫЕ ИННОВАЦИОННЫЕ ТЕХНОЛОГИИ**



**TM.by**  
ONLINE STORE

<https://tm.by>  
Интернет-магазин

**GENERAL SAFETY PRECAUTIONS****1. Safety at work:**

Keep the workplace clean. Disorder or unlit areas of the workplace may cause to injury. Do not operate this power tool in explosion-hazardous premises where flammable liquids, flammable gases or dust are present. During operation, as well as on and off, the tool generates sparks, which can ignite dust or vapors. Keep children and unauthorized persons away from the electric machine while it is operating. Distracted, you can lose control of the power tool.

**2. Electrosafety:**

The power tool plug must match the power socket. Do not change the plug in any way. Do not use adapter plugs for power tools with protective ground. Unmodified plugs and matching sockets will reduce risk of electric shock.

Take the necessary precautions against electric shock. Avoid contact of the tool case with grounded surfaces such as pipes, heating, and refrigerators. Protect the power tool from rain and dampness. The water ingress into the power tool increases the risk of electric shock. Do not use the cable for other purposes, for example, for transportation or hang of the power or to pull the plug from the socket. Protect the cable from high temperatures, oil, sharp edges or moving parts of the power tool. Damaged or entangled cords increase the risk of electric shock.

When working outdoors, use an appropriate power extender. Only use a power extender that is suitable for outdoor works. If you cannot avoid using the power tool in a damp location, install protection switch of the short circuit currents. The use of protection switch of the short circuit currents reduces the risk of electric shock.

**3. Personal safety:**

Be careful, keep an eye on what you are doing, and carefully start operation with the power tool. Do not use the power tool when you are tired or when you are under the influence of drugs, alcohol or medication. One moment of inattention while operating power tools may cause the serious personal injury. Use personal protective equipment and always goggles. The use of personal protective equipment: a protective mask, shoes with non-slip soles, a protective helmet or hearing protection depending on the type of power tool operation reduces the risk of injury. Prevent unintended activation of the power tool. Before connecting the power tool to the power supply and/or to the battery, make sure that the power tool is turned off. Do not hold the connected tool by the switch.

Remove the installation tool or wrenches before turning on the power tool. A tool or wrench located in the rotating part of the power tool may cause injury. Do not assume an unnatural body position. Always take a stable position and always keep balance. Thanks to this you can better control the power tool in unexpected situations. Wear suitable work clothing. Do not wear loose clothes or apparels. Keep hair, clothing, and mittens away from moving parts. Wide clothes, apparels or long hair can be tightened by rotating parts. If it is possible to install dust extraction and dust collection devices, check their connection and correct use. The use of a dust extraction can reduce the dangers created by dust.

**4. Careful and correct handling and use of power tools:**

Do not overload the power tool. Use the power tool designed for purposes of your works. With a suitable power tool, you work better and more reliably in the specified power range. Do not operate the power tool with a faulty switch. A power tool that cannot be turned on or off is dangerous and must be repaired. Before setting up the power tool, disconnect the plug from the mains socket and/or remove the battery before replacing accessories and stopping operation. This precaution prevents unintended activation of the power tool. Keep children away from unused power tool. Do not allow persons unfamiliar with the power tool or who have not read these instructions to use it. Power tools are dangerous in the hands of inexperienced persons. Carefully care for power tools. Check operability and the course of moving parts of the power tool, absence of breakages or damages negatively influencing functioning of the power tool. Damaged parts must be repaired before using the power tool. Poor maintenance of power tools is the cause of a large number of accidents. Keep the cutting tool sharpened and clean. Carefully groomed cutting tools with sharp cutting edges are less likely to jam and are easier to drive. Use power tools, accessories, work tools, etc. in accordance with these operation manual. Take into account the working conditions and the work performed. The use of power tools for unintended work can lead to dangerous situations. The unused tool should be stored in a dry, closed place, not accessible to children! Do not allow persons who have not read this operation manual to use the tool.

**EXPLANATION OF P.I.T. TRADEMARK**
**P.I.T. Progressive Innovational Technology**

Currently, 10 kinds of mechanical and electrical equipment are produced under the P.I.T. trademark. In terms of sales, Rotary hammers occupy one of the leading positions.

Each letter and number in the designation of the model of P.I.T. rotary hammers has the meaning.

For example, **PBH26-C4**

**P**-Trademark of P.I.T.

**BH** -rotary hammer

**26** - maximum diameter of the borer

**C4** - modification series

**INTENDED USE**

Rotary hammer is designed for drilling bores in concrete, brick and natural stone (the function of rotating and percussive drilling), as well as for light grooving work (impact function). It is also suitable for drilling bores in wood, metal, ceramics and synthetic materials (rotary drilling function). Rotary hammers with electronic control and reverse direction of rotation are also suitable for securing screws.

**PRINCIPLE OF OPERATION**

The servo mechanism transmits the movement to the piston, which inside the air cylinder makes a reciprocating motion, creating pressurized air. The pressure of the pressurized air inside the cylinder transmits the movement to the upper part of the hammer, performing reciprocating movements, strikes are made, the same as we apply a conventional hammer. Due to the presence of a pneumatic mechanism, the impact force of the rotary hammer is much higher than that of a hammer drill.

The principle of operation of the rotary hammer is divided into two stages:

**1. Impact stage:**

The rotating electromotor of the rotary hammer transmits the movement to the crank-type piston-rod, causing the piston to make reciprocating movements, when pressurized inside the air cylinder, a hammer blow is made, which is transmitted to the shank of the rotating head, thus, the process of hitting the hammer is considered complete.

**2. The rotation stage:**

The gear of the rotating cylinder gives movement to the rotating head. There is a simultaneous rotation with the collision.

**DECRYPTING THE DATE OF PRODUCTION OF THE PRODUCT**

Date of manufacture of the product is encrypted in the serial number printed on the tool body. The first 2 digits indicate the year of manufacture, the next 2 digits - month and the following two digits - day.

No. 17 07 30 0395  
 Year month day

**PRODUCT SPECIFICATIONS**

MODEL	RATED VOLTAGE	RATED FREQUENCY	NO-LOAD SPEED	RATED OUTPUT CAPACITY	IMPACT FREQUENCY (BPMs)	IMPACT FORCE	DRILL BIT DIAMETER	WEIGHT (kg)
PBH26-C4	220V	50Hz	850rpm	1200W	4000	4.7J	26mm	4kg
PBH28-C3	220V	50Hz	900rpm	1400W	4300	5.5J	28mm	4.9kg
PBH32-C4	220V	50Hz	850rpm	1500W	4300	5.5J	32mm	5.1kg

## FUNCTIONAL CAPABILITIES

### Functional Capabilities:

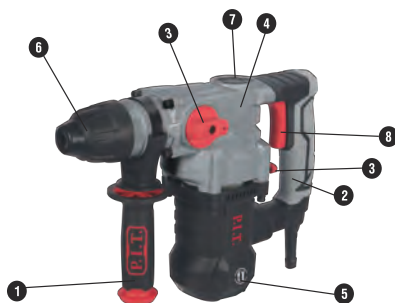
When using a variety of nozzles, rotary hammers can perform operations such as:

1. Drilling bores in different hardness surfaces;
2. Drilling of coverings;
3. Production of chippings in coverings;
4. Beating works;
5. Tamping operations;
6. Use as a screwdriver;
7. The driving up of various rods.

**Note:** ■ – available □ – not available

MODEL	DOUBLE INSULATION	REVERSE ROTATION	SELF-BLOCKING KEY	DRILLING	DRILLING WITH IMPACT	IMPACT MODE	BORER WITH 4 GROOVES	SPEED CONTROLLER	HANDLE	BORER WITH 5 GROOVES	MAGNESIUM ALLOY BODY	VIBRATION REDUCING HANDLE
PBH26-C4	■	■	■	■	■	■	■	■	■	■	■	■
PBH28-C3	■	■	■	■	■	■	■	■	■	■	■	■
PBH32-C4	■	■	■	■	■	■	■	■	■	■	■	■

## ROTARY HAMMER ASSEMBLY



MODEL PBH26-C4

**1 ADDITIONAL HANDLE**


rubberized, during operation reduces vibration and slipping.

**2 MAIN HANDLE**


a. Left-handed  
b. right-handed

it is divided into the left and right handle, on the main handle there is an insert of soft leather, which creates extra comfort during operation

**3 MODE CONTROL SWITCH**

it is used to set one of the 3 operation modes + mode to rotate the poker / punch. PBH20-D model with two modes –without grooving mode and without the mode of the poker / punch rotation.

drilling      drilling with impact      rotation of the poker/punch      grooving


**4 REVERSE ROTATION SWITCH**

controls the rotation direction of the chuck clockwise and counter-clockwise.

**5 SPEED REGULATION KEY**

regulates the rotation speed.

**6 SELF-BLOCKING KEY**

it is necessary for continuous short-term operation of the tool

**7 CASE AND ELECTROMOTOR**

made of new materials, lightweight, low specific gravity, does not conduct electricity, heat and is a good insulating and heat-insulating material, sufficiently strong.

The tool has 4 bearings, in the key place there is a bearing of the third class, which reduce the rolling of the output shaft during operation, their weight is very low, which is very convenient when working at height. The thickness of the case is on average more than 3.2 mm.



Second gear



First gear


**Gear.**

The technology of thermal processing is used. The large and small teeth are hardened in vacuum, which ensures a high level of hardness of the gears and increases energy transfer, efficiency and service life. Transmission of high energy, high efficiency, high reliability, long service life. Gears are made of high-quality alloy steel, which greatly improves the accuracy of assembly and the lifetime.

**Bearings.**

During operation, bearings reduce the rolling sense of the output shaft.


**Rotor.**

The inner part is made using the method of fully automatic thread winding, that increases the rotor service life.


**Stator.**

The copper thread inside is wound completely automatically, what increases the strength, durability, and service life.


**Carbon brushes.**

Used imported materials that working together with the switch and switch the electromotor current, driving the output shaft (refer to the rapidly wearing parts of the

**8 SDS-PLUS CHUCK**


sds-plus systems. Suitable for borers with sds-plus shank sds-plus diameter up to 26 mm

#### 9 AIR INLET OF THE CASE

The air inlet window creates a grid around the rotor, forming a kind of barrier-type grid that blocks the ingress of dust, fine fractions of stone and other foreign bodies into the enamel fiber. The air inlet window is designed as a two-layer ventilation window. The first layer on the case surface, inside is another layer, these two layers form a kind of grid. It turns out to be a double benefit, firstly, if the electric wire disconnects, it cannot get out and harm human health. Secondly, the dust, fine particles of sand through the air inlet inside the tool, which could disable the parts inside the tool, is significantly reduced.

#### 10 ELECTRIC CABLE



It consists of a rubberized outer layer, which has a high level of safety, and resistance to high temperatures, corrosion. The cable H07RN-F is used as an electrical cable for all rotary hammer s. The rubber cable does not harden at low temperatures.

## RULES OF OPERATION

#### Before start operation draw attention

1. Make sure that the connected power supply matches the model of the electric drill, that the protective device against current leakage is installed.
2. The drill bit fits the holder and is well installed.
3. When drilling walls, ceiling, floor, it is necessary to make sure that in the places of drilling there is no hidden electrical cable or pipeline and other dangerous objects.
4. During work at height to draw extra attention to the item that is at the bottom, the safety of passers-by. If necessary, install warning signs.
5. Make sure that the on/off button of the rotary hammer is turned off, otherwise, when the plug is turned on in the power supply socket, the electric tool will start to rotate spontaneously, which can cause to injury of the person.
6. If the workplace is far from the power supply, use a power extender with a sufficient wire cross-section that meets the necessary requirements. If the power extender passes through a place where people walk, then stretch it through the air or take measures to prevent the cable from being touched.

#### Before operation, check compliance with the following requirements:

1. There are no cracks or damage on the case, handle.
2. Electric cable, plug fully functional, the switch is working properly
3. All protective covers are securely fastened; the electrical protection device is secure.

**Installing an additional handle**

In order to unscrew the fixation ring of the additional handle, it is necessary to rotate the handle counter-clockwise while holding the upper part. After that, the handle is placed on the perforator and fixed, rotating its handle clockwise. To hold the perforator in any position during drilling, the side handle can be mounted on the perforator in any position.

**Setting the drilling depth delimiter**

Used for drilling holes of the equal depth. Loosen the additional handle, and insert the depth delimiter into the hole, set the desired drilling depth and tighten the handle.

**Replace of borers****ATTENTION!**

Before starting to replace the borer, you must disconnect the electric cable from the socket. When changing the borers, be careful, since it is possible to damage the dust guard of the chuck. The SDS-Plus chuck automatically locks the borer during installation.

However, during installation, slowly turn the borer in the chuck until it locks into place. After installation, make sure that the borer is securely fastened, trying to pull it out of the holder. Note that when the tool is running without load, the borer has a slight backlash, but this does not affect the boring accuracy, because when the slightest load occurs, the borer is automatically centered.

To remove the borer, it is necessary to slightly pull back the chuck. To work with the perforator was most effective, periodically check the sharpening of the borers and sharpen them if necessary, and lubricate the borer liners with special grease before use.

For work with metal, wood, plastic, a chuck with a ring gear is used. The chuck is installed using a special adapter SDS-Plus.

To perform operations with fasteners, you need to use the bits and special adapter SDS-Plus.

**ATTENTION!**

The chuck, bits and adapters may not be included in your tool kit. These and other accessories can be purchased at a specialized store or an authorized technical service center.

**Replace of dust guard of the chuck**

In case of damage of dust guard of the chuck, replace it, since dust entering the chuck may cause to the failure of the tool.

To replace the dust guard, it is necessary to take back the chuck and remove the dust guard, then install a new one.

**Setting the rotational direction**

Using the switch, you can set the rotational direction of the shaft clockwise or counter-clockwise. This function allows you to use this tool as a screwdriver to work with fasteners, as well as to extract the borer when jammed.

**ATTENTION!**

Do not set the rotational direction switch to the anti-clockwise rotation position when using the drill with impact or grooving function. For safety reasons, when the rotary shaft rotates counterclockwise, the switch cannot be fixed with the button.

Before starting operation, check the correct rotation direction. Only switch the reverse when the engine is completely stopped. Changing the rotation direction on a machine with a rotating shaft will result in damage to the machine. Do not press the start switch if the direction switch is in the neutral position. Do not apply force when reversing.



### Setting the operating mode

#### ATTENTION!

All tool settings must be made with the engine turned off! Do not change the switch position while the tool is in operation.

Before turning on the tool, make sure that the switch is in exactly one of positions. If it is in between, turning on the perforator may cause its damage.

#### Grooving

To select the grooving mode, set the switch to the “Grooving” position.

#### Drilling with impact

To select the drilling with impact mode, set the switch to the “Drilling with impact” position.

#### Drilling

To select the drilling mode, set the switch to the “Drilling” position.

drilling



drilling with impact



rotation of the  
poker/punch



grooving



## MAINTENANCE

Even during normal operation, the rotary hammer is subject to inevitable wear. Below are a few points on maintenance of rotary hammer:

1. Regularly inspect the reliability of the electric cable connection, the looseness of the plug, the mobility and reliability of the movement of the on/off control.
2. Inspect the carbon brushes for excessive wear, replace immediately if necessary, in order to avoid bad contact between the carbon brushes and the formation of excessive sparks or burnt of the motor armature.
3. Check the air inlet and air outlet for debris. Clean the tool from dust and oil stains.

**Tool maintenance must be performed only by experienced personnel of authorized technical service centers.**

### TERMS OF WARRANTY SERVICE

1. This Warranty Certificate is the only document that confirms your right to free warranty service. Without presenting this certificate, no claims are accepted. In case of loss or damage, the warranty certificate is not restored.

2. The warranty period for the electric machine is 12 months from the date of sale, during the warranty period the service department eliminates manufacturing defects and replaces parts that have failed due to the fault of the manufacturer free of charge. In the warranty repair, an equivalent operable product is not provided. Replaceable parts become property of service providers.

P.I.T is not liable for any damage that may be caused by operation of the electric machine.

3. Only clean tool accompanied with the following duly executed documents: this Warranty Certificate, Warranty Card, with all fields filled out, bearing the stamp of the trade organization and the signature of the buyer, shall be accepted for warranty repair.

4. Warranty repair is not performed in the following cases:

- in the absence of a Warranty Certificate and a Warranty Card or their incorrect execution;
  - with failure of both a rotor and a stator of the electric engine, charring or melting of primary winding of the welding machine transformer, charging or starting-charging device, with internal parts melting, burn down of electronic circuit boards;
  - if a Warranty Certificate or a Warranty Card does not correspond to this electric machine or to the form established by the supplier;
  - upon expiration of the warranty period;
  - at attempts of opening or repair of the electric machine outside the warranty workshop; making constructive changes and lubrication of the tool during the warranty period, as evidenced, for example, by the creases on the spline parts of the fasteners of non-rotational parts.
  - when using electric tools for production or other purposes connected with making a profit, as well as in case of malfunctions related to instability of the power network parameters exceeding the norms established by GOST;
  - in the events of improper operation (use the electric machine for other than intended purposes, attachments to the electric machine of attachments, accessories, etc. not provided by the manufacturer);
  - with mechanical damage to the case, power cord and in case of damages caused by aggressive agents and high and low temperatures, ingress of foreign objects in the ventilation grids of the electric machine, as well as in case of damage resulting from improper storage (corrosion of metal parts);
  - natural wear and tear on the parts of the electric machine, as a result of long-term operation (determined on the basis of the signs of full or partial depletion of the specified mean life, great contamination, presence of rust outside and inside the electric machine, waste lubricant in the gearbox);
  - use of the tool the purposes for other than specified in the operating instructions.
  - mechanical damages to the tool;
  - in the event of damages due to non-observance of the operating conditions specified in the instruction (see chapter "Safety Precautions" of the Manual).
  - damage to the product due to non-observance of the rules of storage and transportation.
- Preventive maintenance of electric machines (cleaning, washing, lubrication, replacement of anthers, piston and sealing rings) during the warranty period is a paid service.

The service life of the product is determined by the manufacturer and is 5 years from the date of manufacture,

The owner is notified of any possible violations of the above terms of warranty service upon completion of diagnostics in the service center.

The owner of the tool entrusts the diagnostic procedure to be conducted in the service center in his absence.

Do not operate the electric machine when there are signs of excessive heat, sparking, or noise in the gearbox. To determine the cause of the malfunction, the buyer should contact the warranty service center.

Malfunctions caused by late replacement of carbon brushes of the engine are eliminated at the expense of the buyer.

5. The warranty does not cover:

- replacement of parts (accessories and furniture), for example: accumulators, disks, knives, drills, bores, cartridges, chains, sprockets, collet clamps, buses, tensioning elements and fasteners, trim tabs, pads of grinders and tape machines, etc.
- quick-wear parts, for example: carbon brushes, drive belts, glands, protective covers, guide rollers, guides/rails, rubber seals, bearings, timing belts and wheels, shafts, brake band, ratchet wheels and starter cables, piston rings, etc. Replacing them during the warranty period is a paid service.
- power cords, in case of insulation damage, power cords are subject to mandatory replacement without the consent of the owner (paid service),
- casing of machine.

**P.I.T. WARRANTY CERTIFICATE**

Product Name \_\_\_\_\_

Product Number □□□□□□□□□□

Serial Number □□□□□□□□□□

Place of Seal

Sale Date \_\_\_\_\_

Trade Organization Name \_\_\_\_\_

**Dear customer!**

Thank you for purchasing the P.I.T tool, and we hope that you will be satisfied with your choice. In the process of manufacturing the P.I.T tools pass multilevel quality control, if nevertheless your product will need maintenance, please contact the authorized P.I.T service centers.

**Attention!**

When buying, ask a seller to check the completeness and operability of the tool, to fill out the Warranty Certificate, the Warranty Card (the boxes shall be filled out by a seller) and to affix the seal of the trade organization in the Guarantee Certificate and the Warranty Card.

**Warranty**

By this Warranty Certificate, P.I.T. company guarantees the absence of defects of the production nature, both in the product itself and in its constituent components.

In the event any of the above defects are detected during the warranty period, the specialized P.I.T. service centers shall repair the product and replace the defective spare parts free charge.

The warranty period for P.I.T. electric machines is 12 months from the date of sale.

**“The warranty maintenance terms acknowledged and accepted. The operability and completeness of the product are checked in my presence. No claims on quality and appearance.”**

Buyer's Signature \_\_\_\_\_ Surname (legibly) \_\_\_\_\_

Phone \_\_\_\_\_

## ОБЩИЕ МЕРЫ БЕЗОПАСНОСТИ

### 1. Безопасность на рабочем месте:

Содержите рабочее место в чистоте. Беспорядок или неосвещенные участки рабочего места могут привести к несчастным случаям. Не работайте с этим электроинструментом во взрывоопасном помещении, в котором находятся горючие жидкости, воспламеняющиеся газы или пыль. Во время эксплуатации, а также при включении и выключении инструмент вырабатывает искры, что может привести к воспламенению пыли или паров. Во время работы с электроинструментом не допускайте близко к Вашему рабочему месту детей и посторонних лиц. Отвлечшись, Вы можете потерять контроль над электроинструментом.

### 2. Электробезопасность:

Штепсельная вилка электроинструмента должна соответствовать штепсельной розетке. Никким образом не изменяйте штепсельную вилку. Не применяйте переходные штекеры а для электроинструментов с защитным заземлением. Неизменные штепсельные вилки и подходящие штепсельные розетки снижают риск поражения электротоком.

Предпринимайте необходимые меры предосторожности от удара электрическим током. Избегайте контакта корпуса инструмента с заземленными поверхностями, такими как трубы, отопление, холодильники. Защищайте электроинструмент от дождя и сырости. Проникновение воды в электроинструмент повышает риск поражения электротоком. Не допускается использовать шнур не по назначению, например, для транспортировки или подвески электроинструмента, или для вытягивания вилки из штепсельной розетки. Защищайте шнур от воздействия высоких температур, масла, острых кромок или подвижных частей электроинструмента. Поврежденный или спутанный шнур повышает риск поражения электротоком.

При работе на свежем воздухе используйте соответствующий удлинитель. Используйте только такой удлинитель, который подходит для работы на улице. Если невозможно избежать применения электроинструмента в сыром помещении, то устанавливайте выключатель защиты от токов повреждения. Применение выключателя защиты от токов повреждения снижает риск электрического поражения.

### 3. Личная безопасность:

Будьте внимательными, следите за тем, что Вы делаете, и продуманно начинайте работу с электроинструментом. Не пользуйтесь электроинструментом в усталом состоянии или, если Вы находитесь под влиянием наркотиков, спиртных напитков или лекарств. Один момент невнимательности при работе с электроинструментом может привести к серьезным травмам. Применяйте средства индивидуальной защиты и всегда защитные очки. Использование средств индивидуальной защиты: защитной маски, обуви на нескользкой подошве, защитного шлема или средств защиты органов слуха в зависимости от вида работы электроинструмента снижает риск получения травм. Предотвращайте непреднамеренное включение электроинструмента. Перед подключением электроинструмента к электропитанию и/или к аккумулятору убедитесь в выключенном состоянии электроинструмента. Не держите подсоединенный инструмент за переключатель.

Убирайте установочный инструмент или гаечные ключи до включения электроинструмента. Инструмент или ключ, находящийся во вращающейся части электроинструмента, может привести к травмам. Не принимайте неестественное положение корпуса тела. Всегда занимайте устойчивое положение и держите равновесие. Благодаря этому Вы можете лучше контролировать электроинструмент в неожиданных ситуациях. Носите подходящую рабочую одежду. Не носите широкую одежду и украшения. Держите волосы, одежду и рукавицы вдали от движущихся частей. Широкая одежда, украшения или длинные волосы могут быть затянута в вращающихся частями. При наличии возможности установки пылеотсасывающих и пылесборных устройств проверяйте их присоединение и правильное использование. Применение пылеотсоса может снизить опасности, создаваемые пылью.

### 4. Бережное и правильное обращение и использование электроинструментов:

Не перегружайте электроинструмент. Используйте для Вашей работы предназначенный для этого электроинструмент. С подходящим по характеристикам электроинструментом Вы работаете лучше и надежнее в указанном диапазоне мощности.

Не работайте с электроинструментом с неисправным выключателем. Электроинструмент, который не поддается включению или выключению, опасен и должен быть отремонтирован. До начала наладки электроинструмента, перед заменой принадлежностей и прекращением работы отключайте штепсельную вилку от розетки сети и/или выньте аккумулятор. Эта мера предосторожности предотвращает непреднамеренное включение электроинструмента.

Электроинструменты опасны в руках неопытных лиц. Тщательно ухаживайте за электроинструментом. Проверяйте работоспособность и ход движущихся частей электроинструмента, отсутствие поломок или повреждений, отрицательно влияющих на функционирование электроинструмента. Поврежденные части должны быть отремонтированы до использования электроинструмента. Плохое обслуживание электроинструментов является причиной большого числа несчастных случаев. Держите режущий инструмент в заточенном и чистом состоянии. Заботливо ухоженные режущие инструменты с острыми режущими кромками реже заклиниваются и их легче вести. Применяйте электроинструмент, принадлежности, рабочие инструменты и т.п. в соответствии с настоящими инструкциями. Учитывайте при этом рабочие условия и выполняемую работу. Использование электроинструментов для непредусмотренных работ может привести к опасным ситуациям. Неиспользуемый инструмент должен храниться в сухом, закрытом месте, не доступном для детей! Не позволяйте использовать инструмент лицам, которые не ознакомились с настоящей инструкцией.

## РАСШИФРОВКА ТОРГОВОЙ МАРКИ P.I.T.

### P.I.T.® Progressive Innovational Technology

(Прогрессивные Инновационные Технологии)

В настоящее время под маркой P.I.T. выпускается механическое и электрическое оборудование 10 видов.

По объему продаж электрические перфораторы занимают одно из лидирующих мест.

Каждая буква и цифра в обозначении модели электрического перфоратора P.I.T. имеет значение.

Например, **PВН26-С3**

**P** – торговая марка P.I.T.

**ВН** – электрический перфоратор

**26** – максимальный диаметр бура

**С3** – серия модификации

## НАЗНАЧЕНИЕ

Электрический перфоратор предназначен для сверления отверстий в бетоне, кирпиче и природном камне (функция вращающегося и ударного сверления), а также для легких долбежных работ (ударная функция). Он также пригоден для сверления отверстий в древесине, металле, керамике и синтетических материалах (функция вращающегося сверления). Электрические перфораторы с электронным регулированием и реверсом направления вращения пригодны также для завинчивания винтов.

## ПРИНЦИП РАБОТЫ

Приводной механизм передает движение на поршень, который внутри воздушного цилиндра совершает возвратно-поступательное движение, создавая сжатый воздух. Давления сжатого воздуха внутри цилиндра передает давление на верхнюю часть молота, совершающего возвратно-поступательные движения, совершаются удары, такие же, как мы наносим обычным молотком. В связи с наличием пневматического механизма сила удара у электрического перфоратора значительно выше, чем у ударной дрели.

Принцип работы электрического перфоратора подразделяется на два этапа:

### 1. Этап удара:

вращающийся электрический двигатель электрического перфоратора передает движение на кривошипный шатун, заставляя поршень совершать возвратно-поступательные движения, при сдавливании внутри воздушного цилиндра совершается удар молотом, который передается на хвостовик вращающейся головки, таким образом, процесс удара молотом считается завершенным.

### 2. Этап вращения:

шестерня вращающегося цилиндра придает движение на вращающуюся головку. Происходит одновременное вращение с соударением.

## РАСШИФРОВКА ДАТЫ ИЗГОТОВЛЕНИЯ ИЗДЕЛИЯ

Дата изготовления изделия зашифрована в серийном номере, напечатанном на корпусе инструмента. Первые 2 цифры обозначают год выпуска, следующие 2 цифры – месяц и следующие 2 цифры – день

№. 

1	7	0	7	3	0	0	3	9	5
---	---	---	---	---	---	---	---	---	---

↓
↓
↓
↓
↓
↓
↓
↓
↓
↓

год    месяц    день

## ТЕХНИЧЕСКИЕ ХАРАКТЕРИСТИКИ

Модель	Номинальное напряжение	Номинальная частота	Номинальная выходная мощность	Скорость вращения на холостом ходу (об/мин)	Частота ударов (уд/мин)	Сила ударов	Диаметр бурения	Вес (кг)
PВН26-С4	220V	50Hz	850rpm	1200W	4000	4.7J	26mm	4kg
PВН28-С3	220V	50Hz	900rpm	1400W	4300	5.5J	28mm	4.9kg
PВН32-С4	220V	50Hz	850rpm	1500W	4300	5.5J	32mm	5.1kg

## ФУНКЦИОНАЛЬНЫЕ ВОЗМОЖНОСТИ

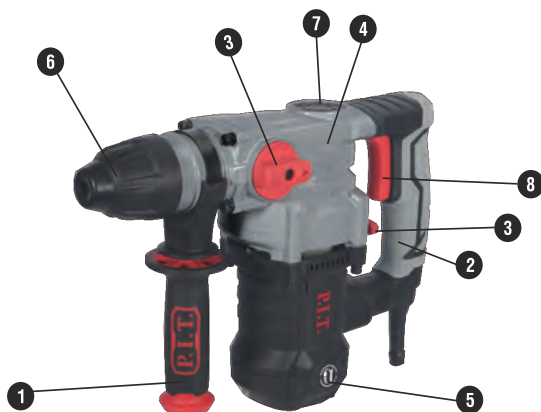
При использовании различных насадок, перфораторы могут выполнять такие операции, как:

1. высверливание отверстий в различных по твердости поверхностях;
2. сверление перекрытий;
3. производство сколов в перекрытиях;
4. работы по отбивке;
5. трамбовочные операции;
6. использование в качестве шуруповерта;
7. забивка различных стержней.

Примечание: есть ■ отсутствует ■

Модель	Двойная изоляция	Реверсное направление движения	Клавиша самоблокировки	Сверление	Сверление с ударами	Режим удара	Бур с четырьмя канавками	Регулировка скорости	Ручка	Бур с пятью канавками	Корпус с магнетового сплава	Ручка, уменьшающая вибрацию
PВН26-С4	■	■	■	■	■	■	■	■	■	■	■	■
PВН28-С3	■	■	■	■	■	■	■	■	■	■	■	■
PВН32-С4	■	■	■	■	■	■	■	■	■	■	■	■

## УСТРОЙСТВО ЭЛЕКТРИЧЕСКОГО ПЕРФОРАТОРА



модель PВН26-С4

### 1 Вспомогательная рукоятка



при работе помогает фиксировать инструмент.

### 2 Основная рукоятка



а. леворукое упр  
 б. праворукое упр

подразделяется на левую и правую рукоятку. На основной рукоятке есть вставка из мягкой кожи, что создает дополнительный комфорт при работе.

### 3 Переключатель режимов

служит для установки одного из 3-х режимов работы + режим для поворота пики/зубила. Модель РВН20-D с двумя режимами – без режима «долбление» и без режима поворота пики/зубила.



### 4 Корпус и электродвигатель

выполнен из новых материалов, легкий, малый удельный вес, не проводит электричество, тепло и является хорошим изоляционным и теплоизоляционным материалом, достаточно прочным.

Инструмент имеет 4 подшипника, в ключевом месте стоит подшипник третьего класса, которые уменьшают качение выходного вала во время работы, их вес очень низкий, что очень удобно при работе на высоте. Толщина корпуса в среднем составляет более 3.2 мм.

### 5 Щеткодержатель

служит для удержания угольных щеток в инструменте, а также способствует быстрой замене износившихся щеток



вторая шестерня



первая шестерня



### Шестеренки

Используется технология термической обработки. Большие, малые зубья подвергнуты вакуумной закалке, что делает шестерни высокого уровня твердости. Передача большой энергии, высокая эффективность, высокая надежность, длительный срок эксплуатации. Шестеренки выполнены из высококачественной легированной стали, что значительно повышает точность сборки и срок эксплуатации.

### Подшипники

Во время работы подшипники уменьшают чувство качения выходного вала.

### Ротор

Внутренняя часть ротора выполнена способом полностью автоматического накручивания медного провода, что увеличивает срок эксплуатации.



### Статор

Медный провод внутри накручен полностью автоматическим способом, что увеличивает прочность, долговечность и повышается срок эксплуатации статора.



### Угольные щетки

Использованы импортные материалы, которые взаимодействуют с коммутатором и осуществляют переключение тока электродвигателя, приводя в движение выходной вал (относятся к быстро изнашивающимся деталям электродвигателя).



### 6 Патрон sds-plus



системы sds-plus. К нему подходят буры с хвостовиками sds-plus

**7 Отверстие для смазки**

перед началом работ снимается крышка отсека для смазки, и в редуктор заправляется смазка для предотвращения перегрева инструмента

**8 Выключатель****ПРАВИЛА ЭКСПЛУАТАЦИИ****Перед началом работы обратить внимание**

1. Удостовериться, что подсоединенный источник питания соответствует данной модели, что установлено защитное устройство от утечки электрического тока.
2. Сверло подходит к держателю и хорошо установлено.
3. При сверлении стен, потолка, пола, необходимо удостовериться, что в местах сверления нет скрытого электрического кабеля или трубопровода и других опасных предметов.
4. Во время работы на высоте обратить дополнительное внимание на предметы, которые находятся внизу, на безопасность прохожих. При необходимости установить предупредительные таблички.
5. Убедиться, что клавиша включения электрического перфоратора отключена, иначе, при включении вилки в розетку источника питания начнется самопроизвольное вращение электрического инструмента, что может привести к получению травмы человеком.
6. Если место работы находится в удалении от источника питания, то использовать удлинитель с достаточным сечением провода, соответствующий необходимым требованиям. Если провод удлинителя проходит через место, где ходят люди, то протянуть его по воздуху или предпринять меры чтобы кабель не был задеваем

**Перед работой проверить соответствие следующим требованиям:**

1. На корпусе, рукоятке нет трещин, повреждений.
2. Электрический кабель, вилка полностью исправны, выключатель работает исправно
3. Все защитные кожухи крепко закреплены, электрическое защитное устройство надежно.



### Установка дополнительной рукоятки

Для того чтобы разжать кольцо фиксации вспомогательной рукоятки, необходимо вращать ручку против часовой стрелки, удерживая при этом верхнюю часть. После этого рукоятку устанавливают на перфоратор и фиксируют, вращая ее ручку по часовой стрелке. Для удержания перфоратора в любом положении при сверлении боковая рукоятка может устанавливаться на перфоратор в любом положении.

### Установка ограничителя глубины сверления

Используется для сверления отверстий одинаковой глубины. Освободите крепление дополнительной рукоятки и вставьте ограничитель глубины в отверстие, установите нужную глубину сверления и затяните крепление рукоятку.

### Замена буров

#### **ВНИМАНИЕ!**

Прежде, чем приступить к замене бура, необходимо отсоединить кабель электропитания от розетки. При смене буров будьте осторожны, так как существует вероятность повредить пыльник патрона. Патрон SDS-Plus автоматически фиксирует бур при установке.

Тем не менее, при установке медленно поворачивайте бур в патроне, до тех пор, пока он не зафиксируется. После установки убедитесь в надежности закрепления бура, попытайтесь вытянуть его из держателя. Учитывайте, что при работе инструмента без нагрузки бур имеет небольшой люфт, однако это не отражается на точности бурения, поскольку при возникновении малейшей нагрузки бур автоматически центрируется.

Для снятия бура необходимо немного оттянуть назад патрон. Чтобы работа с перфоратором была наиболее эффективной, периодически проверяйте заточку буров и затачивайте их в случае необходимости, а также смазывайте хвостовики буров специальной смазкой перед использованием.

Для работы с металлом, деревом, пластиком используется патрон с зубчатым венцом. Патрон устанавливается при помощи специального адаптера SDS-Plus.

Для выполнения операций с крепежом необходимо использовать биты и специальный адаптер SDS-Plus.

#### **ВНИМАНИЕ!**

Патрон, биты и адаптеры могут не входить в комплектацию Вашего инструмента. Эти и другие аксессуары можно приобрести в специализированном магазине или в авторизованном сервисном центре.

### Замена пыльника патрона

В случае повреждения пыльника патрона замените его, поскольку попадание пыли в патрон может привести к выходу инструмента из строя.

Для замены пыльника необходимо отвести назад патрон и снять пыльник, после чего установить новый.

### Установка направления вращения

При помощи переключателя, можно установить направление вращения вала по часовой или против часовой стрелки. Эта функция позволяет использовать данный инструмент в качестве шуруповерта для работ с крепежом, а также для извлечения бура при заклинивании.

#### **ВНИМАНИЕ!**

Запрещается устанавливать переключатель направления вращения в положение вращения против часовой стрелки при использовании функций сверления с ударом или долбления. В целях безопасности при вращении вала перфоратора против часовой стрелки выключатель не может быть зафиксирован кнопкой.

Перед началом работ проверьте правильность выбранного направления вращения. Производите переключение реверса только после полной остановки двигателя. Изменение направления вращения на машине с вращающимся валом приведет к поломке машины. Не нажимайте на выключатель пуска, если переключатель направления вращения находится в нейтральном положении. Не прилагайте силу при переключении реверса.

### Установка режима работы

#### **ВНИМАНИЕ!**

Все настройки инструмента необходимо производить при выключенном двигателе! Запрещается изменять положение переключателей во время работы инструмента.

Перед включением инструмента убедитесь в том, что переключатель находится точно в одном из положений. Если он находится между ними, включение перфоратора может привести к его повреждению.

#### **Долбление**

Для выбора режима долбления установите переключатель в положение «долбление».

#### **Сверление с ударом**

Для выбора режима сверления с ударом установите переключатель в положение «сверление с ударом».

#### **Сверление**

Для выбора режима сверления установите переключатель в положение «сверление».



## ТЕХНИЧЕСКОЕ ОБСЛУЖИВАНИЕ

Электрический перфоратор даже при нормальной работе подвержен неизбежному износу.

Ниже приведено несколько пунктов по обслуживанию электрического перфоратора:

1. Регулярно осматривать надежность соединения кабеля электрического питания, расшатанность вилки, подвижность и надежность движения клавиши включения.
2. Осматривать угольные щетки на предмет чрезмерного износа, при необходимости немедленно заменить, чтобы избежать плохого контакта угольных щеток и образования слишком больших искр или перегорания якоря.
3. Проверять воздуховпускное и воздуховыпускное отверстия на предмет засоренности. Очищать инструмент от пыли и масляных пятен.

**Обслуживание инструмента должно быть выполнено только квалифицированным персоналом уполномоченных сервисных центров.**

## УСЛОВИЯ ГАРАНТИЙНОГО ОБСЛУЖИВАНИЯ

1. Настоящее гарантийное свидетельство является единственным документом, подтверждающим Ваше право на бесплатное гарантийное обслуживание. Без предъявления данного свидетельства претензии не принимаются. В случае утери или порчи гарантийное свидетельство не восстанавливается.
  2. Гарантийный срок на электроинструмент составляет 12 месяцев со дня продажи, в течение гарантийного срока сервисная служба бесплатно устраняет производственные дефекты и производит замену деталей, вышедших из строя по вине изготовителя. На период гарантийного ремонта эквивалентный исправный инструмент не предоставляется. Заменяемые детали переходят в собственность служб сервиса. Компания P.I.T. не несет ответственности за вред, который может быть причинен при работе с электроинструментом.
  3. В гарантийный ремонт инструмент принимается в чистом виде, при обязательном наличии надлежащим образом оформленных документов: настоящего гарантийного свидетельства, гарантийного талона, с полностью заполненными полями, штампом торговой организации и подписью покупателя.
  4. Гарантийный ремонт не производится в следующих случаях:
    - при отсутствии гарантийного свидетельства и гарантийного талона или неправильном их оформлении;
    - при совместном выходе из строя якоря и статора электродвигателя, при обугливании или оплавлении первичной обмотки трансформатора сварочного аппарата, зарядного или пуско-зарядного устройства, при оплавлении внутренних деталей, прожиге электронных плат;
    - если гарантийное свидетельство или талон не принадлежит данному электроинструменту или не соответствует установленному поставщиком образцу;
    - по истечении срока гарантии;
    - при попытках самостоятельного вскрытия или ремонта электроинструмента вне гарантийной мастерской; внесения конструктивных изменений и смазки инструмента в гарантийный период, о чем свидетельствуют, например, заломы на шлицевых частях крепежа корпусных деталей.
    - при использовании электроинструмента в производственных или иных целях, связанных с получением прибыли, а также – при возникновении неисправностей связанных с нестабильностью параметров электросети, превышающих нормы, установленные ГОСТ;
    - при неправильной эксплуатации (использование электроинструмента не по назначению, установки на электроинструмент не предназначенных заводом-изготовителем насадок, дополнительных приспособлений и т.п.);
    - при механических повреждениях корпуса, сетевого шнура и при повреждениях, вызванных воздействиями агрессивных средств и высоких и низких температур, попадании инородных предметов в вентиляционные решетки электроинструмента, а также при повреждениях, наступивших в результате неправильного хранения(коррозия металлических частей);
    - при естественном износе деталей электроинструмента, в результате длительной эксплуатации(определяется по признакам полной или частичной выработки ресурса, сильного загрязнения, ржавчины снаружи и внутри электроинструмента, отработанной смазки в редукторе);
    - использование инструмента не по назначению, указанному в инструкции по эксплуатации.
    - при механических повреждениях инструмента;
    - при возникновении повреждений в связи с несоблюдением предусмотренных инструкцией условий эксплуатации(см. главу Указание по технике безопасности в инструкции).
    - повреждение изделия вследствие несоблюдения правил хранения и транспортировки.
- Профилактическое обслуживание электроинструмента (чистка, промывка, смазка, замена пыльников, поршневых и уплотнительных колец) в гарантийный период является платной услугой.
- Срок службы изделия установлен производителем и составляет 2 года со дня изготовления
- О возможных нарушениях, изложенных выше условия гарантийного обслуживания, владелец сообщает после проведения диагностики в сервисном центре.
- Владелец инструмента доверяет проведение диагностики в сервисном центре в свое отсутствие.
- Запрещается эксплуатация электроинструмента при проявлении признаков повышенного нагрева, искрения, а также шума в редукторной части. Для выяснения причин неисправности покупателю следует обратиться в гарантийную мастерскую.
- Неисправности, вызванные несвоевременной заменой угольных щеток двигателя, устраняются за счет покупателя.
5. Гарантия не распространяется на:
    - сменные принадлежности (аксессуары и оснастка), например: аккумуляторы, диски, ножи, сверла, буры, патроны, цепи, звездочки, цанговые зажимы, шпцы, элементы натяжения и крепления, головки триммеров, подошвы шлифовальных и ленточных машин, фильтры и т.п.
    - быстроизнашивающиеся детали, например: угольные щетки, приводные ремни, сальники, защитные кожухи, направляющие ролики, направляющие, резиновые уплотнения, подшипники, зубчатые ремни и колеса, стволы, ленты тормоза, храповики и тросы стартеров, поршневые кольца и т.п. Замена их в течение гарантийного срока является платной услугой.
    - шнуры питания, в случае повреждения изоляции, шнуры питания подлежат обязательной замене без согласия владельца (услуга платная).
    - корпуса инструмента.

**ГАРАНТИЙНОЕ СВИДЕТЕЛЬСТВО НА ИНСТРУМЕНТ P.I.T.**

Наименование изделия \_\_\_\_\_  
Артикул изделия                 
Серийный номер                 
Дата продажи «\_\_» \_\_\_\_\_  
Наименование торговой организации \_\_\_\_\_

М.П.

**Уважаемый покупатель!**

Благодарим Вас за покупку инструмента P.I.T. и надеемся, что Вы останетесь довольны своим выбором. В процессе производства инструменты P.I.T. проходят многоуровневый контроль качества, если тем не менее Ваше изделие будет нуждаться в обслуживании, просим Вас обращаться в авторизованные сервисные центры P.I.T.

**Внимание!**

При покупке требуйте у продавца проверки комплектности и работоспособности инструмента, заполнение гарантийного свидетельства, гарантийного талона (графы заполняются продавцом) и простановки печати торговой организации в гарантийном свидетельстве и гарантийном талоне.

**Гарантия**

На основании данного гарантийного свидетельства компания P.I.T. гарантирует отсутствие дефектов производственного характера, как в самом изделии, так и в составляющих его компонентах.

Если в течении гарантийного срока в Вашем изделии тем не менее обнаружатся указанные дефекты, специализированные сервисные центры P.I.T. бесплатно отремонтируют изделие и заменят дефектные запасные части.

Гарантийный срок на электроинструменты P.I.T. составляет 12 месяцев со дня продажи.

**«С условиями гарантийного обслуживания ознакомлен(а). Работоспособность и комплектность изделия проверены в моем присутствии. Претензий к качеству и внешнему виду не имею».**

Подпись покупателя \_\_\_\_\_ Фамилия(разборчиво) \_\_\_\_\_

Телефон \_\_\_\_\_

**P. I. T. WARRANTY CARD**

Name \_\_\_\_\_  
 Serial number \_\_\_\_\_  
 The date of sale 20 \_\_\_\_  
 The date of receipt of the repair 20 \_\_\_\_



Name \_\_\_\_\_  
 Serial number \_\_\_\_\_  
 Date of sale "" \_\_\_\_\_  
 (Filled by seller)

Seal is here

WARRANTY REPAIR CARD  
 date of acceptance for repair \_\_\_\_20 \_\_\_\_\_.  
 Application for repair \_\_\_\_\_  
 Customer \_\_\_\_\_  
 Telephone (address) \_\_\_\_\_  
 The reason for petition \_\_\_\_\_  
 Tool checked in my presence \_\_\_\_\_  
 (The order is filled in the service center) (signature)

Seal is here

Name \_\_\_\_\_  
 Serial number \_\_\_\_\_  
 The date of sale 20 \_\_\_\_  
 The date of receipt of the repair 20 \_\_\_\_



Name \_\_\_\_\_  
 Serial number \_\_\_\_\_  
 Date of sale "" \_\_\_\_\_  
 (Filled by seller)

Seal is here

WARRANTY REPAIR CARD  
 date of acceptance for repair \_\_\_\_20 \_\_\_\_\_.  
 Application for repair \_\_\_\_\_  
 Customer \_\_\_\_\_  
 Telephone (address) \_\_\_\_\_  
 The reason for petition \_\_\_\_\_  
 Tool checked in my presence \_\_\_\_\_  
 (The order is filled in the service center) (signature)

Seal is here

Name \_\_\_\_\_  
 Serial number \_\_\_\_\_  
 The date of sale 20 \_\_\_\_  
 The date of receipt of the repair 20 \_\_\_\_



Name \_\_\_\_\_  
 Serial number \_\_\_\_\_  
 Date of sale "" \_\_\_\_\_  
 (Filled by seller)

Seal is here

WARRANTY REPAIR CARD  
 date of acceptance for repair \_\_\_\_20 \_\_\_\_\_.  
 Application for repair \_\_\_\_\_  
 Customer \_\_\_\_\_  
 Telephone (address) \_\_\_\_\_  
 The reason for petition \_\_\_\_\_  
 Tool checked in my presence \_\_\_\_\_  
 (The order is filled in the service center) (signature)

Seal is here

**ГАРАНТИЙНЫЙ ТАЛОН P.I.T.**

Наименование \_\_\_\_\_  
Серийный номер \_\_\_\_\_  
Дата продажи «\_\_» \_\_\_\_\_ 20 \_\_г.  
(Заполняется продавцом)

М.П.

КАРТА ГАРАНТИЙНОГО РЕМОНТА \_\_  
Дата приема в ремонт \_\_ \_\_ 20 \_\_г.  
Заявка на ремонт \_\_\_\_\_  
Заказчик \_\_\_\_\_  
Телефон(адрес) \_\_\_\_\_  
Причина обращения \_\_\_\_\_  
Дата получения из ремонта \_\_ \_\_ 20 \_\_г.  
Инструмент проверен в моем присутствии \_\_\_\_\_  
(Заказ заполняется в сервисном центре) (подпись)

М.П.

Наименование \_\_\_\_\_  
Серийный номер \_\_\_\_\_  
Дата продажи «\_\_» \_\_\_\_\_ 20 \_\_г.  
Дата получения из ремонта «\_\_» \_\_\_\_\_ 20 \_\_г.



Наименование \_\_\_\_\_  
Серийный номер \_\_\_\_\_  
Дата продажи «\_\_» \_\_\_\_\_ 20 \_\_г.  
(Заполняется продавцом)

М.П.

КАРТА ГАРАНТИЙНОГО РЕМОНТА \_\_  
Дата приема в ремонт \_\_ \_\_ 20 \_\_г.  
Заявка на ремонт \_\_\_\_\_  
Заказчик \_\_\_\_\_  
Телефон(адрес) \_\_\_\_\_  
Причина обращения \_\_\_\_\_  
Дата получения из ремонта \_\_ \_\_ 20 \_\_г.  
Инструмент проверен в моем присутствии \_\_\_\_\_  
(Заказ заполняется в сервисном центре) (подпись)

М.П.

Наименование \_\_\_\_\_  
Серийный номер \_\_\_\_\_  
Дата продажи «\_\_» \_\_\_\_\_ 20 \_\_г.  
Дата получения из ремонта «\_\_» \_\_\_\_\_ 20 \_\_г.



Наименование \_\_\_\_\_  
Серийный номер \_\_\_\_\_  
Дата продажи «\_\_» \_\_\_\_\_ 20 \_\_г.  
(Заполняется продавцом)

М.П.

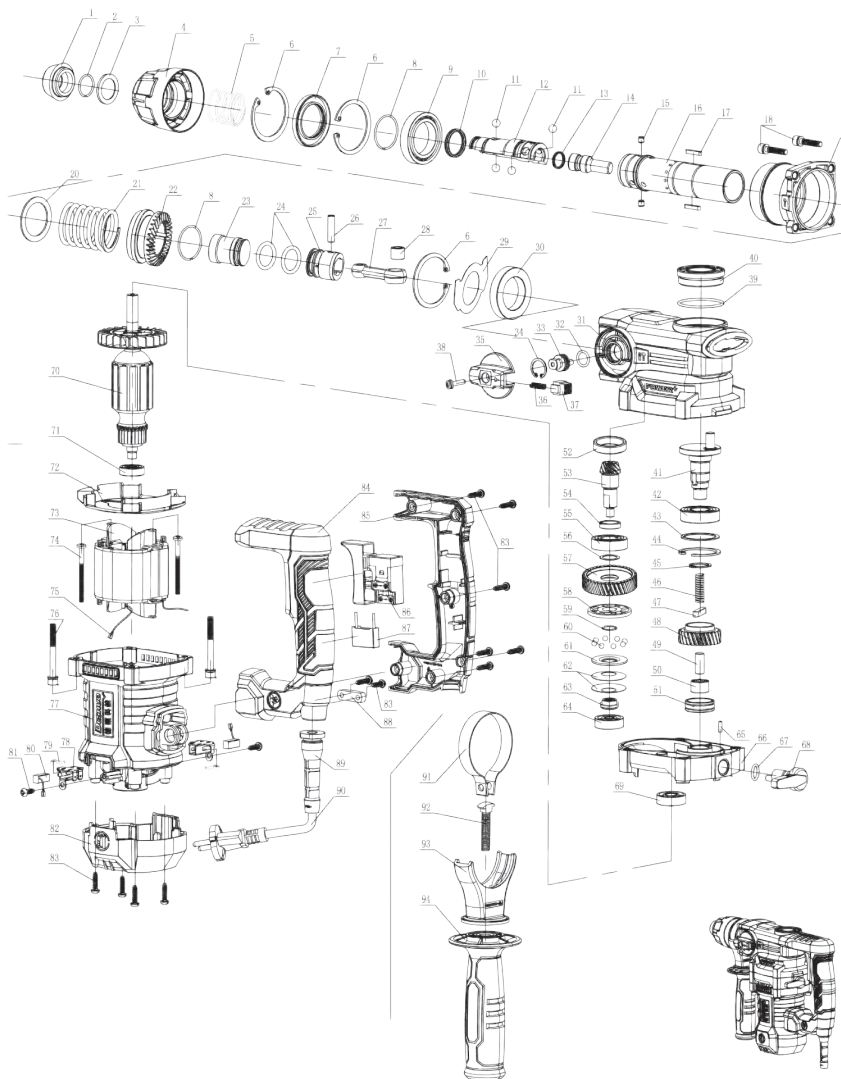
КАРТА ГАРАНТИЙНОГО РЕМОНТА \_\_  
Дата приема в ремонт \_\_ \_\_ 20 \_\_г.  
Заявка на ремонт \_\_\_\_\_  
Заказчик \_\_\_\_\_  
Телефон(адрес) \_\_\_\_\_  
Причина обращения \_\_\_\_\_  
Дата получения из ремонта \_\_ \_\_ 20 \_\_г.  
Инструмент проверен в моем присутствии \_\_\_\_\_  
(Заказ заполняется в сервисном центре) (подпись)

М.П.

Наименование \_\_\_\_\_  
Серийный номер \_\_\_\_\_  
Дата продажи «\_\_» \_\_\_\_\_ 20 \_\_г.  
Дата получения из ремонта «\_\_» \_\_\_\_\_ 20 \_\_г.

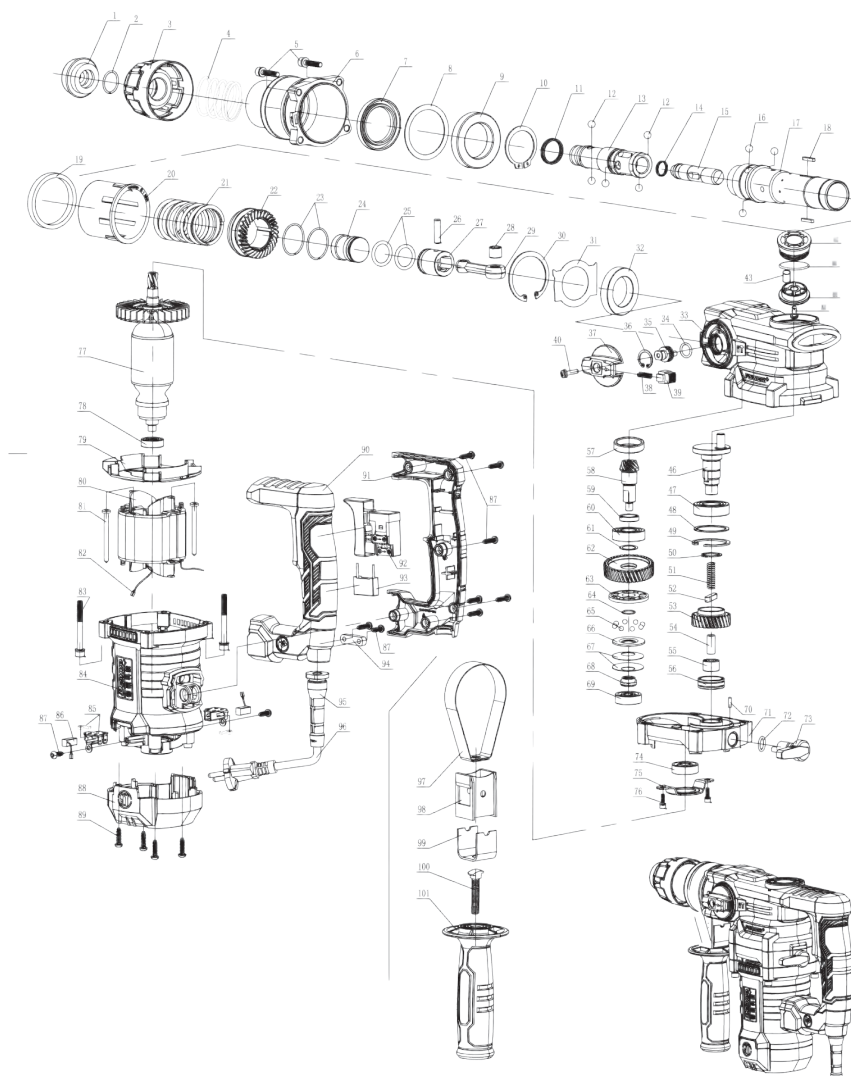
**P.I.T. WARRANTY SHEET / ГАРАНТИЙНЫЙ ТАЛОН P.I.T.**

# PВН26-С4





# РВН28-С3



# РВН32-С4

