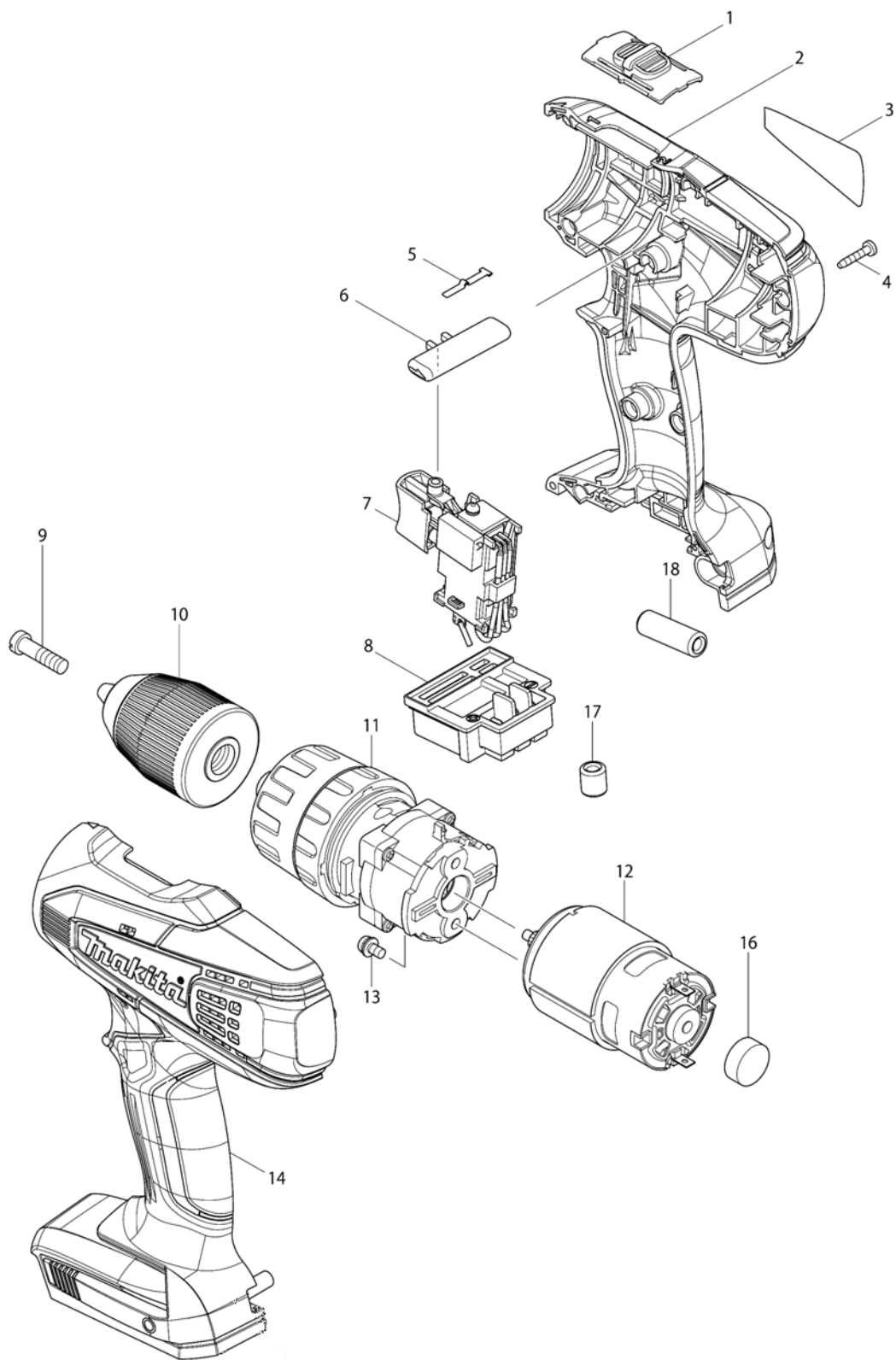


Model No.HP457D CORDLESS HAMMER DRIVER DRILL



Model No.HP457D CORDLESS HAMMER DRIVER DRILL

| Item | Parts No. | Description | I/C | Qty | New/Old | Opt. 1 | Opt. 2 | Note |
|-------|-----------|-----------------------------|-----|-----|---------|--------|--------|------|
| 001 | 125310-5 | SPEED CHANGE LEVER ASS'Y | | 1 | | | | |
| C10 | 231433-0 | COMPRESSION SPRING 4 | | 2 | | | | |
| 002 | 187026-0 | HOUSING SET | | 1 | | | | |
| D10 | | INC. 14 | | | | | | |
| 003 | 869392-4 | HP457D NAME PLATE | | 1 | | | | |
| 004 | 266429-2 | TAPPING SCREW 3X16 | | 9 | | | | |
| 005 | 232182-2 | LEAF SPRING | | 1 | | | | |
| 006 | 452399-3 | F/R CHANGE LEVER | | 1 | | | | |
| 007 | 638862-2 | SWITCH UNIT | | 1 | | | | |
| D10 | | INC. 17,18 | | | | | | |
| 008 | 643862-9 | TERMINAL | | 1 | | | | |
| 009 | 251468-5 | - FLAT HEAD SCREW M6X22 | | 1 | | | | |
| 010 | 766004-9 | KEYLESS DRILL CHUCK 13 | | 1 | * | | | |
| 010-1 | 766004-9 | KEYLESS DRILL CHUCK 13 | O | 1 | | | | |
| 011 | 125485-0 | GEAR ASS'Y | | 1 | | | | |
| 012 | 629834-8 | DC MOTOR | | 1 | * | | | |
| 012-1 | 629937-8 | DC MOTOR | O | 1 | | | | |
| 013 | 911108-4 | PAN HEAD SCREW M4X8 | | 2 | | | | |
| 014 | 187026-0 | HOUSING SET | | 1 | | | | |
| D10 | | INC. 2 | | | | | | |
| 016 | 421940-3 | CAP | | 1 | | | | |
| 017 | 688164-6 | LINE FILTER | | 1 | | | | |
| 018 | 688165-4 | LINE FILTER | | 1 | | | | |
| A01 | 784636-0 | + - BIT 2-65 | | 1 | | | | |
| A02 | ***DC18WA | DC18WA BATTERY CHARGER | | 1 | | | | |
| A03 | 195454-5 | BATTERY BL1811G SET | | 2 | * | | | |
| A03-1 | 196367-3 | BATTERY BL1813G SET | O | 2 | * | | | |
| A03-2 | 196367-3 | BATTERY BL1813G SET | O | 2 | * | | | |
| A03-3 | 198186-3 | BATTERY BL1815G SET | < | 2 | | | | |
| A04 | 452652-7 | BATTERY COVER | | 1 | | | | |
| A05 | 824981-2 | PLASTIC CARRYING CASE | | 1 | | | | |
| C10 | 162315-4 | LATCH | | 2 | | | | |
| C20 | 452137-3 | HANDLE | | 1 | | | | |
| A06 | 892779-5 | HP457DWE PLASTIC CASE LABEL | | 2 | * | | | |
| A06-1 | 810Y42-4 | HP457DWE PLASTIC CASE LABEL | X | 2 | | | | |

Please order the parts with part number.

Print Date 3/2/2020