



FDZN 4001

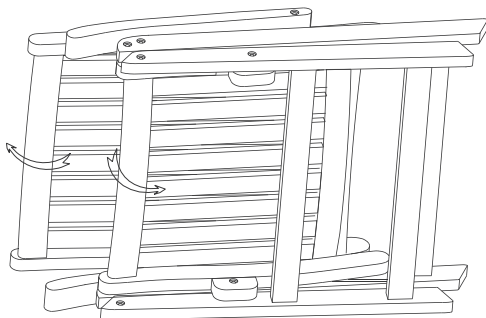
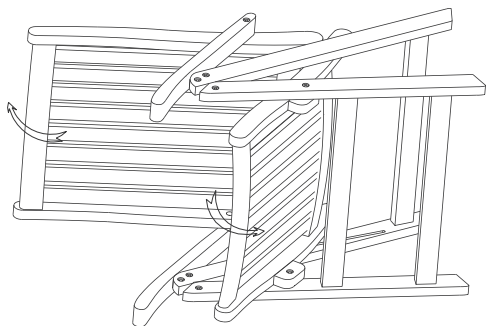
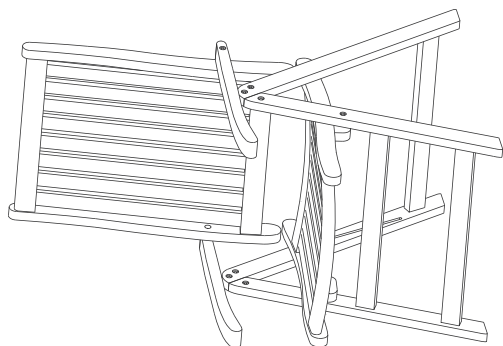


FDZN 4002

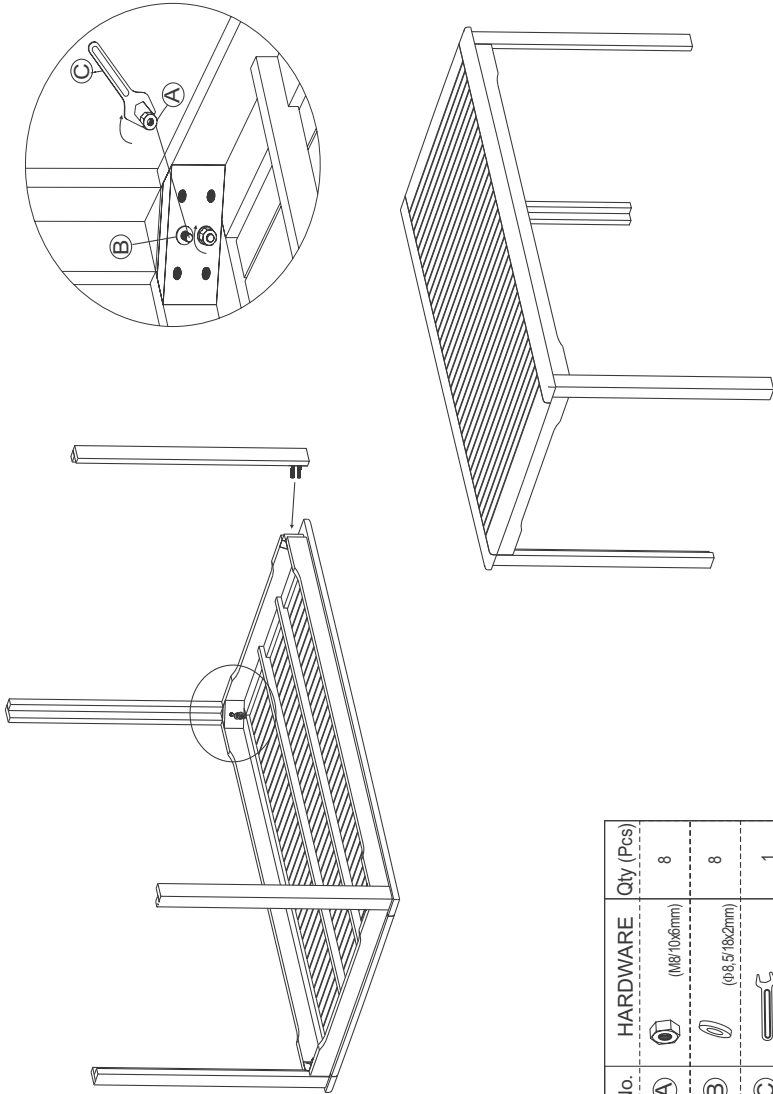





FDZN 4003





ASSEMBLY INSTRUCTION



No.	HARDWARE	Qty (Pcs)
A	 (M8 10x6mm)	8
B	 (Ø8,5/18x2mm)	8
C		1

