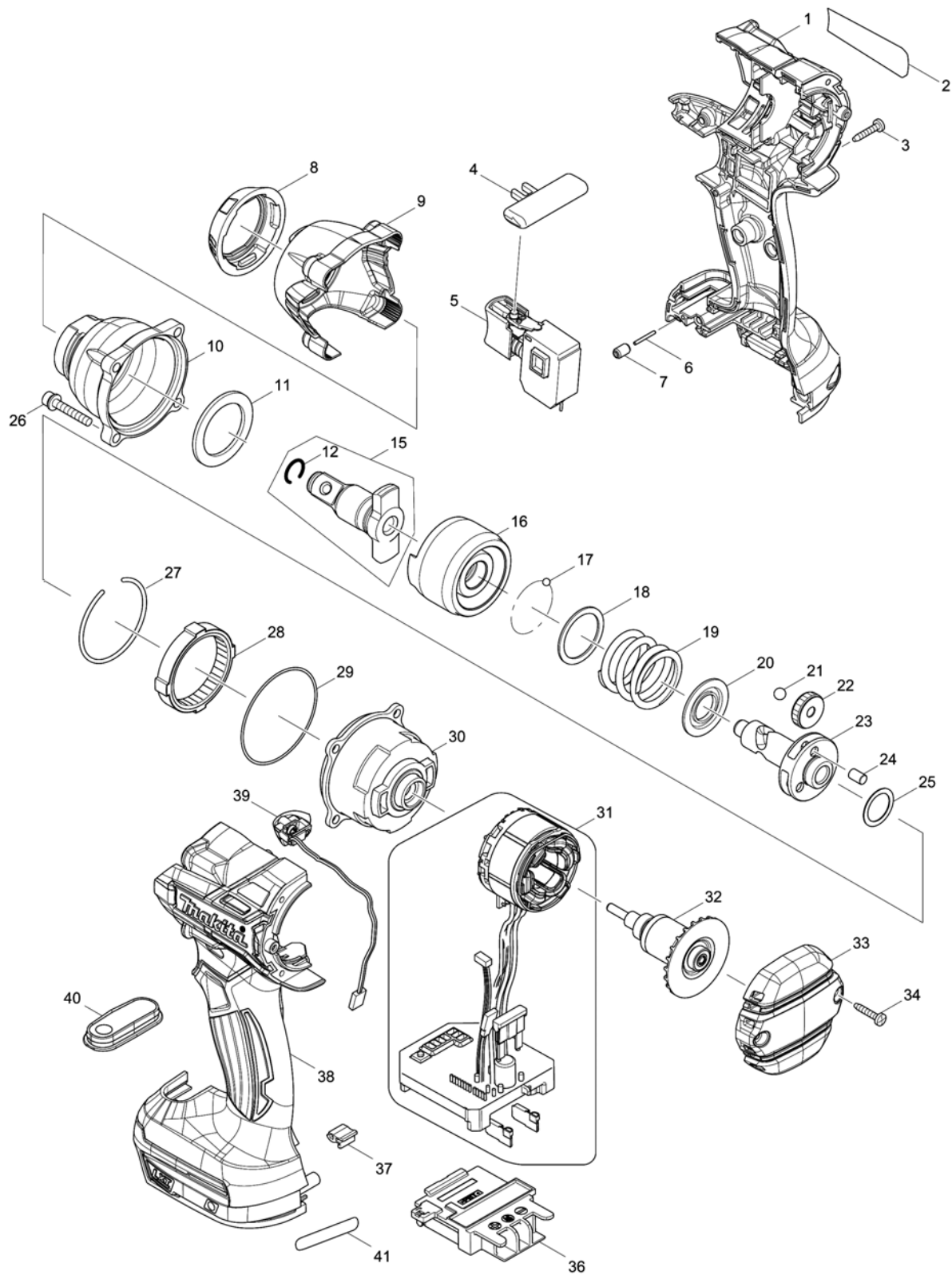


Model No.DTW285 CORDLESS IMPACT WRENCH



Model No.DTW285 CORDLESS IMPACT WRENCH

Item	Parts No.	Description	I/C	Qty	New/Old	Opt. 1	Opt. 2	Note
001A	183D46-6	HOUSING SET		1				
001B	183D46-6	HOUSING SET		1				
001C	183D46-6	HOUSING SET		1				
001D	183D46-6	HOUSING SET		1				
001E	183H09-6	HOUSING SET		1				
C10	263005-3	RUBBER PIN 6		2				
C20	252126-6	HEX. LOCK NUT M4-7		2				
D10		INC. 38						
002	852T92-3	DTW285 NAME PLATE		1				
003	266130-9	TAPPING SCREW BIND PT 3X16		8				
004	419041-9	F/R CHANGE LEVER		1				
005	650673-5	SWITCH C3JW-1A		1				
006	268184-2	PIN 1.5		1				
007	263036-2	RUBBER PIN 5		1				
008	424568-6	BUMPER		1				
009	454851-7	HAMMER CASE COVER		1				
010	143911-7	HAMMER CASE COMPLETE		1	*			
010-1	140K43-7	HAMMER CASE COMPLETE	<	1				
011	261154-0	NYLON WASHER 28		1				
012	231907-1	RING SPRING 10		1				
015	135824-6	ANVIL E ASS'Y		1				
D10		INC. 12						
016	326384-1	HAMMER		1				
017	216001-0	STEEL BALL 3.5		24				
018	267175-0	FLAT WASHER 24		1				
019	234322-8	COMPRESSION SPRING 25		1				
020	267766-7	CUP WASHER 14		1				
021	216011-7	STEEL BALL 5.6		2				
022	227338-0	SPUR GEAR 22		3				
023	326385-9	SPINDLE		1				
024	268311-1	PIN 5		3				
025	253147-1	FLAT WASHER 15		1				
026	266915-3	HEX.SOCKET HEAD BOLT M4X25		4	*			
026-1	922146-1	HEX. SOCKET HEAD BOLT M4X25	S	4				
027	233910-8	RING SPRING 43		1				
028	227337-2	INTERNAL GEAR 51		1				
029	213785-1	O-RING 49		1				
030	142389-1	INTERNAL GEAR CASE COMPLETE		1				
031	632J07-4	STATOR UNIT		1	*			
031-1	632J24-4	STATOR UNIT	<	1				

Please order the parts with part number.

Print Date 27/3/2020

Model No.DTW285 CORDLESS IMPACT WRENCH

Item	Parts No.	Description	I/C	Qty	New/Old	Opt. 1	Opt. 2	Note
032	619341-9	ROTOR		1				
033A	454850-9	REAR COVER		1				
033B	454850-9	REAR COVER		1				
033C	454850-9	REAR COVER		1				
033D	454850-9	REAR COVER		1				
033E	458010-5	REAR COVER		1				
034	266130-9	TAPPING SCREW BIND PT 3X16		2				
036	643860-3	TERMINAL		1				
037	424517-3	CUSHION		1				
038A	183D46-6	HOUSING SET		1				
038B	183D46-6	HOUSING SET		1				
038C	183D46-6	HOUSING SET		1				
038D	183D46-6	HOUSING SET		1				
038E	183H09-6	HOUSING SET		1				
C10	263005-3	RUBBER PIN 6		2				
C20	252126-6	HEX. LOCK NUT M4-7		2				
D10		INC. 1						
039	620295-5	LED CIRCUIT		1				
040	144217-6	SWITCH PLATE COMPLETE		1				
A01	266622-8	+ TRUSS HEAD SCREW M4X12		1				
A02	346317-0	HOOK		1				
A03B	821550-0	CONNECTOR PLASTIC CASE (TYPE2)		1				
C10	453974-8	LATCH		4				
A03C	821550-0	CONNECTOR PLASTIC CASE (TYPE2)		1				
C10	453974-8	LATCH		4				
A03D	821550-0	CONNECTOR PLASTIC CASE (TYPE2)		1				
C10	453974-8	LATCH		4				
A04B	837670-0	INNER TRAY		1				
A04C	837670-0	INNER TRAY		1				
A04D	837670-0	INNER TRAY		1				
A04E	197280-8	BATTERY BL1850B SET		1	*			
A04-1E	197280-8	BATTERY BL1850B SET	O	1				
A05B	810U41-2	DTW285RFJ INDICATION LABEL		1				
A05C	810U44-6	DTW285RMJ INDICATION LABEL		1				
A05D	810U47-0	DTW285RTJ INDICATION LABEL		1				
A06B	810U42-0	DTW285RFJ PLASTIC CASE LABEL		2				
A06C	810U45-4	DTW285RMJ PLASTIC CASE LABEL		2				
A06D	810U48-8	DTW285RTJ PLASTIC CASE LABEL		2				

Please order the parts with part number.

Print Date 27/3/2020

Model No.DTW285 CORDLESS IMPACT WRENCH

Item	Parts No.	Description	I/C	Qty	New/Old	Opt. 1	Opt. 2	Note
A07B	***DC18RC	DC18RC FAST CHARGER		1				
D10		COMPO-PARTS						
A07C	***DC18RC	DC18RC FAST CHARGER		1				
D10		COMPO-PARTS						
A07D	***DC18RC	DC18RC FAST CHARGER		1				
D10		COMPO-PARTS						
A08B	197600-6	BATTERY BL1830B SET		2	*			
A08C	197265-4	BATTERY BL1840B SET		2	*			
A08D	197280-8	BATTERY BL1850B SET		2	*			
A08-1B	197600-6	BATTERY BL1830B SET	O	2				
A08-1C	197265-4	BATTERY BL1840B SET	O	2				
A08-1D	197280-8	BATTERY BL1850B SET	O	2				
A09B	450128-8	BATTERY COVER		1				
A09C	450128-8	BATTERY COVER		1				
A09D	450128-8	BATTERY COVER		1				

Please order the parts with part number.

Print Date 27/3/2020