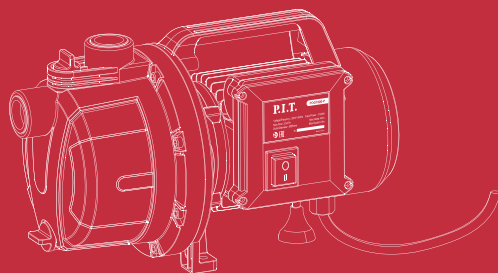


# P.I.T.

POG1000-P



**SELF-PRIMING PUMP**  
ПОВЕРХНОСТНЫЙ НАСОС

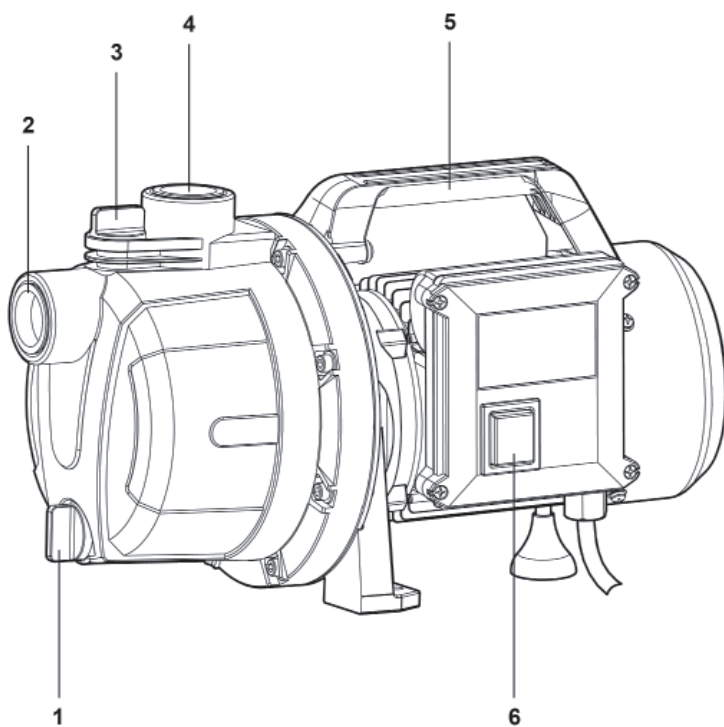
**1100W**

**Powerful  
Efficient**

Please read the instruction manual carefully before use !  
Пожалуйста, внимательно прочтите инструкцию перед использованием!



**ERC**



## English

### Safety instructions

#### General Power Tool Safety Warnings

**!** **WARNING** Read all safety warnings and all instructions.

Failure to follow the warnings and instructions may result in electric shock, fire and/or serious injury.

#### ATTENTION!

- ▶ Do not use the product without protective grounding!
- ▶ Installation of a residual current device (RCD) with a rated leakage current of 30 mA is mandatory!
- ▶ The installation of the product and the electrical outlet for connecting it to the mains must be carried out by qualified electricians.
- ▶ To avoid accidents, it is strictly forbidden to carry out any repair / maintenance work on the equipment without disconnecting it from the electrical network.

#### WARNING!

- ▶ Operation of the surface pump "dry" (without water) is not allowed.
- ▶ Do not allow air to enter the suction line.
- ▶ The temperature of the pumped-over liquid must be from + 1 ° C to + 35 ° C.

### Important

- ▶ The installation of electrical equipment for connecting the product must be carried out by qualified specialists in electrical installation and plumbing work.
- ▶ The voltage fluctuation in the electrical network should not exceed  $\pm 10\%$ .
- ▶ Do not repair or disassemble the product yourself.

### Electrical safety

**ATTENTION!** If the safety instructions are not followed, there is a risk of electric shock.

- ▶ Check the power cord and plug for damage before using the appliance.
- ▶ All electrical connections must be in a flood-proof location.
- ▶ Unsuitable extension cords can be hazardous. Outdoors, use only approved and appropriately marked extension cords with sufficient wire cross-section.
- ▶ Do not use the mains power cable to transport or fix the instrument.
- ▶ When disconnecting the appliance from the power supply, pull the plug, not the cable.

- ▶ Be careful not to pinch the power cord or rub it against sharp edges.
- ▶ Install the device in a rack and over-fill-proof position.
- ▶ The mains voltage must correspond to the voltage specified in the technical specifications.
- ▶ Protect the appliance from rain and moisture. Water penetration into the appliance increases the risk of electric shock.
- ▶ Do not point the water jet directly at the pump or other electrical components. Danger to life - possible electric shock.
- ▶ The pump must not be used as a submersible pump.
- ▶ When using the pump near swimming pools, garden ponds or fountains, keep a minimum distance of 2 m and protect the device from slipping into the water.
- ▶ When there are people in the pool or garden pond, do not use the pump.
- ▶ Electrical connections must only be made by a qualified electrician.

### Safety of people

- ▶ For safety reasons, persons under the age of 16 or those who have not read this manual must not be allowed to work with the device.
- ▶ The pump is not intended for use by persons with reduced physical or mental capabilities or lack of experience and knowledge of the user, unless he is supervised and instructed in the use of the device by a person responsible for safety.
- ▶ It is forbidden to operate and service the pump while in a state of extreme fatigue, alcoholic, drug intoxication or under the influence of strong medications.
- ▶ Keep children and pets away from the pump while it is running. Children should be supervised to ensure that they do not play with the device.

### Safety instructions for working with the pump

- ▶ Any use of the pump in violation of the rules of ego operation is considered improper use. Damage resulting from use for other purposes is solely the responsibility of the user.
- ▶ The pump is not intended for professional or industrial use. Long-term continuous use is not allowed.
- ▶ Unauthorized modifications to the pump

design, as well as the use of parts that have not passed the tests and are not approved for use by the manufacturer, are prohibited.

- ▶ It is forbidden to pump explosive, flammable, corrosive or health hazardous substances, as well as water containing mechanical impurities in the form of sand, stones, etc.
- ▶ The pump is not suitable for pumping chlorine-containing water in swimming pools.
- ▶ Not recommended for pumping drinking water.
- ▶ When starting the pump for the first time, ensure that it is completely filled with water. it is not allowed to operate the pump without water consumption.
- ▶ Air entering the suction line is not allowed.
- ▶ To avoid freezing, the water must be completely drained from the pump and from the suction and pressure lines.

## Product Description and Specifications



Read all the safety and general instructions.

Failure to observe the safety and general instructions may result in electric shock, fire and/or serious injury.

Please observe the illustrations at the beginning of this operating manual.

### Intended use

The garden pump is designed for pumping clean water in garden plots when draining reservoirs and reservoirs, organizing water intake from a depth (wells, wells) and supplying it to a height, using it in aeration and drainage systems for a limited period of time.

### Product Features

The numbering of the product features refers to the diagram of the power tool on the graphics page.

1. Drain hole
2. Input connection
3. Filler cap
4. Output connection
5. Handle
6. Switch

### Technical Data

Model	POG1000-P
Rated voltage	220 V~/50 Hz
Rated power	1100 W

Model	POG1000-P
Max. flow	3.5 m <sup>3</sup> /h
Bore diameter	25 mm
Max. head	40 mm
Suction depth	8 m
Weight	7.5 Kg

### Contents of delivery

Garden pump	1 pc
Handle	1 pc
Instruction manual	1 pc

#### Note

Text and numbers may contain technical errors and typographical errors.

Since the product is constantly being improved, P.I.T. reserves the right to make changes to the specifications and product specifications specified here without prior notice.

### Installation

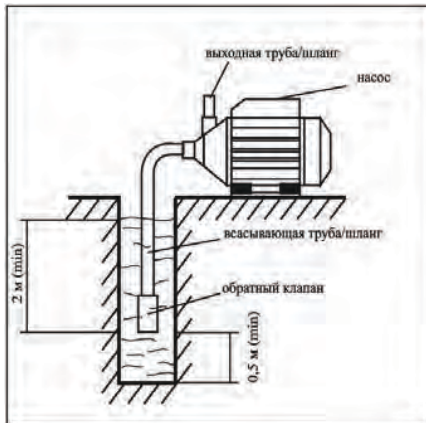
The pump must be on a level, level surface suitable for the weight of the pump and filled with water.

In order to avoid vibrations, the pump must not be firmly screwed on; it must be mounted on an elastic support.

The installation site must be well ventilated and weatherproof.

The pump should be installed so that the rotor is strictly horizontal.

Any other position will significantly reduce its performance (up to 30%) and lead to a reduction in its service life.



### Suction line connection

**Attention!** The suction line must be installed in such a way that it does not exert any mechanical stress or stress on the pump.

**Attention!** Use a suction filter to protect the pump from sand and dirt.

**Attention!** To prevent water from flowing out of the turned off pump, it is imperative to install a non-return valve on the suction pipe (not included in the delivery set).

All threaded connections must be sealed with sealing tape. Air is sucked in through the leaky places, as a result of which water absorption decreases or stops.

The suction line must have an inner diameter of at least 1" (25mm). It must be resistant to creases and vacuum.

The suction line must be so short, as much as possible, since the supply power decreases with increasing line length.

The suction line must constantly rise towards the pump in order to prevent air pockets from forming.

A sufficient water supply must be ensured and the end of the suction line must always be submerged.

### Discharge line connection

**Attention!** The discharge line must be installed in such a way that it does not exert any mechanical stress or stress on the pump.

All threaded connections must be sealed with sealing tape to prevent water leakage.

All parts of the pressure pipeline must be able to withstand the pressure; they are installed by qualified specialists.

**Danger!** In the presence of fragile parts and improper installation, the pressure pipe may burst during operation. Fluid escaping under pressure can injure you!

To reduce vibrations and noise, the pump must be connected to the pipeline network using flexible connecting hoses.

### Electrical connection and grounding

- Electrical work, socket installation, fuses and the connection to the mains power supply must be done by a qualified electrician.
- The pump may only be connected to a properly installed, earthed and tested earthed socket outlet.

### Exploitation

#### Before starting work:

- Check the parameters of the power supply, they must correspond to those indicated on the engine.
- After electrical connection, the engine starting block must be tightly closed to

avoid moisture ingress.

- Check the correct installation of the suction and pressure lines.

#### Filling with water:

- Unscrew the filler plug.
- Fill suction pipe and pump head with water through filler opening.
- After water fills the pumping part, displacing air from it, close the drain hole.

#### Launch:

- Insert the plug into a power outlet.
- Open the discharge line by turning the water tap or nozzle so that air can escape during suction.
- Switch on the pump.
- If the water flows out evenly, the pump is ready for operation.
- After finishing work, turn off the pump with the switch.

**ATTENTION!** Risk of injury from hot water. During long-term operation with a closed pressure side for more than 5-10 minutes, the water in the pump can become very hot, so that it will flow out in a controlled manner and damage to the pumping part may occur.

### Possible problems and malfunctions

#### The engine does not run:

- Check fuse. Have an electrician check the power line.
- The thermal relay has shut off the engine. Wait for the engine to cool. Monitor the temperature of the pumped liquid.
- Impeller blocked. Remove contamination.

#### The pump is running, but not pumping liquid:

- Low fluid level. Immerse the suction hose deeper.
- Air in the pump casing. Prime the pump.
- The pump is drawing in air. Check all connections for leaks.
- Suction pipe clogged. Remove dirt from the suction section.
- The discharge line is closed. Open the discharge line.
- The pressure hose is bent. Straighten the pressure hose.

#### Insufficient pumped volume:

- The pressure hose is bent. Straighten the pressure hose.
- Insufficient hose diameter. Use a larger diameter pressure hose.
- The delivery head is too high. Observe the maximum delivery head, see tech. specifications

- Suction lift too high Observe maximum suction lift.

## Maintenance and Cleaning

► **All maintenance work must be carried out with the cable disconnected from the mains.**

**Pump flushing:** After pumping plaque-leaving liquids, the pump should be flushed with clean water.

### Clearing blockages:

- Disconnect the pump from the mains.
- Connect the pressure line to the water supply.
- Water must flow through the pump housing until the blockage is cleared.

When the battery is no longer operative, please refer to an authorised after-sales service agent for P.I.T. power tools

## Service

► **Have your power tool repaired only by qualified personnel and only with original replacement parts. This ensures the safety of the power tool.**

The list of authorized service centers can be viewed on the official website of P.I.T. by the link: <https://pittools.ru/services/>

## Storage and transportation

### Storage:

- Drain the suction and discharge lines.
- Unscrew the drain plug and let the water drain out of the pump.
- Retighten the drain plug and store the pump and accessories in a frost-protected place, at a temperature between 0 and + 35 ° C and a relative humidity of no more than 80%.

Products can be transported by any type of closed transport in the manufacturer's packaging or without it, while preserving the product from mechanical damage, atmospheric precipitation.

## Dispose of waste



Damaged power tools, batteries, accessories and waste packaging materials must be recycled and reused in an environmentally friendly manner.

Do not throw power tools and accumulators / batteries into general household waste!

## Product serial number interpretation

No.

17 07 30 0395

Year month day

The first and second digits of the product serial number from left to right

Year of production, the third and fourth digits indicate the month of production, the fifth and sixth digits indicate the production day.

## TERMS OF WARRANTY SERVICE

1. This Warranty Certificate is the only document that confirms your right to free warranty service. Without presenting this certificate, no claims are accepted. In case of loss or damage, the warranty certificate is not restored.

2. The warranty period for the electric machine is 12 months from the date of sale, during the warranty period the service department eliminates manufacturing defects and replaces parts that have failed due to the fault of the manufacturer free of charge. In the warranty repair, an equivalent operable product is not provided. Replaceable parts become property of service providers.

P.I.T. is not liable for any damage that may be caused by operation of the electric machine.

3. Only clean tool accompanied with the following duly executed documents: this Warranty Certificate, Warranty Card, with all fields filled out, bearing the stamp of the trade organization and the signature of the buyer, shall be accepted for warranty repair.

4. Warranty repair is not performed in the following cases:

- damage to the pumping part or its parts as a result of the pump running dry (without water) or during prolonged operation with a closed pressure pipeline.

- in the absence of a Warranty Certificate and a Warranty Card or their incorrect execution;

- with failure of both a rotor and a stator of the electric engine, charring or melting of primary winding of the welding machine transformer, charging or starting-charging device, with internal parts melting, burn down of electronic circuit boards;

- if a Warranty Certificate or a Warranty Card does not correspond to this electric machine or to the form established by the supplier;

- upon expiration of the warranty period;

- at attempts of opening or repair of the elec-

tric machine outside the warranty workshop; making constructive changes and lubrication of the tool during the warranty period, as evidenced, for example, by the creases on the spline parts of the fasteners of non-rotational parts.

- when using electric tools for production or other purposes connected with making a profit, as well as in case of malfunctions related to instability of the power network parameters exceeding the norms established by GOST;
- in the events of improper operation (use the electric machine for other than intended purposes, attachments to the electric machine of attachments, accessories, etc. not provided by the manufacturer);
- with mechanical damage to the case, power cord and in case of damages caused by aggressive agents and high and low temperatures, ingress of foreign objects in the ventilation grids of the electric machine, as well as in case of damage resulting from improper storage (corrosion of metal parts);
- natural wear and tear on the parts of the electric machine, as a result of long-term operation (determined on the basis of the signs of full or partial depletion of the specified mean life, great contamination, presence of rust outside and inside the electric machine, waste lubricant in the gearbox);
- use of the tool the purposes for other than specified in the operating instructions.
- mechanical damages to the tool;
- in the event of damages due to non-observance of the operating conditions specified in the instruction (see chapter "Safety Precautions" of the Manual).
- damage to the product due to non-observance of the rules of storage and transportation.
- in case of strong internal contamination of the tool.

Preventive maintenance of electric machines (cleaning, washing, lubrication, replacement of anthers, piston and sealing rings) during the warranty period is a paid service.

The service life of the product is 3 years. Shelf life is 2 years. It is not recommended for operation after 2 years of storage from the date of manufacture, which is indicated in the serial number on the label of the instrument, without preliminary verification (for the definition of the date of manufacture, see the User's Manual earlier).

The owner is notified of any possible violations of the above terms of warranty service

upon completion of diagnostics in the service center.

The owner of the tool entrusts the diagnostic procedure to be conducted in the service center in his absence.

Do not operate the electric machine when there are signs of excessive heat, sparking, or noise in the gearbox. To determine the cause of the malfunction, the buyer should contact the warranty service center.

Malfunctions caused by late replacement of carbon brushes of the engine are eliminated at the expense of the buyer.

5. The warranty does not cover:

- replacement accessories (accessories and components), for example: batteries, discs, blades, drill bits, borers, chucks, chains, sprockets, collet clamps, guide rails, tension and fastening elements, trimming device heads, base of grinding and belt sander machines, hexagonal heads, etc.,
- fast wearing parts, for example: carbon brushes, drive belts, seals, protective covers, guiding rollers, guides, rubber seals, bearings, toothed belts and wheels, shanks, brake belts, starter ratchets and ropes, piston rings, etc. Their replacement during the warranty period is a paid service;
- power cords, in case of damage to the insulation, power cords are subject to mandatory replacement without the consent of the owner (paid service);
- tool case.

## Русский

Указания по технике безопасности  
Общие указания по технике безопасности для электроинструментов



### ПРЕДУПРЕЖДЕНИЕ

Прочтите все указания и инструкции по технике безопасности.

Несоблюдение указаний и инструкций по технике безопасности может стать причиной поражения электрическим током, пожара и тяжелых травм.

### ВНИМАНИЕ!

- ▶ Не допускайте эксплуатации изделия без защитного заземления!
- ▶ Установка устройства защитного отключения (УЗО) номинальным током утечки 30 мА обязательна!
- ▶ Монтаж изделия и электрической розетки для его подключения электросети должны выполнять квалифицированные специалисты по электромонтажным работам.
- ▶ Во избежание несчастных случаев, категорически запрещается производить какие-либо ремонтные/обслуживающие работы на оборудовании без отключения его от электрической сети.

### Предупреждение

- ▶ Работа поверхностного насоса «в сухую» (без воды) не допускается.
- ▶ Не допускайте попадания воздуха во всасывающую магистраль.
- ▶ Температура перекачиваемой жидкости должна быть от +1°C до +35°C.

### Важно

- ▶ Монтаж электрооборудования для подключения изделия должны выполнять квалифицированные специалисты по электромонтажным и сантехническим работам.
- ▶ Колебание напряжения в электрической сети не должно превышать ±10%.
- ▶ Не ремонтируйте и не разбирайте изделие самостоятельно.

### Электробезопасность

**ВНИМАНИЕ!** При несоблюдении указаний по технике безопасности существует опасность поражения электрическим током.

- ▶ Перед началом работы с прибором проверяйте сетевой шнур и штепсельную вилку на наличие повреждений.
- ▶ Все электрические соединения долж-

ны находиться в защищённом от затопления месте.

- ▶ Неподходящие электрические удлинители могут представлять опасность. Вне помещений следует использовать только допущенные для использования и соответственно маркированные электрические удлинители с достаточным поперечным сечением провода.
- ▶ Не используйте сетевой кабель питания для транспортировки или фиксации прибора.
- ▶ При отсоединении прибора от сети питания необходимо тянуть за штепсельную вилку, а не за кабель.
- ▶ Следите за тем, чтобы сетевой кабель не заземлялся и не терся об острые края.
- ▶ Устанавливайте устройство в стойком и защищённом от перелива положении.
- ▶ Напряжение в сети должно соответствовать напряжению, указанному в технических характеристиках.
- ▶ Защищайте прибор от дождя и сырости. Проникновение воды в прибор повышает риск поражения электрическим током.
- ▶ Не направляйте струю воды непосредственно на насос или другие электрические узлы. Опасно для жизни - возможно поражение электрическим током.
- ▶ Нельзя использовать насос как погружной насос.
- ▶ При использовании насоса вблизи плавательных бассейнов, садовых прудов или фонтанов соблюдать минимальное расстояние 2 м и защитить прибор от соскальзывания в воду.
- ▶ Если в бассейне или садовом пруду находятся люди, запрещается использовать насос.
- ▶ Электрические соединения должны выполняться только квалифицированным электриком.

### Безопасность людей

- ▶ В целях безопасности лица моложе 16 лет, а также лица, не ознакомившиеся с данным руководством, не должны допускаться до работы с устройством.
- ▶ Насос не предназначен для исполь-



зования лицами с ограниченными физическими или умственными способностями или при отсутствии у пользователя опыта и знаний, если он не находится под контролем и не проинструктирован об использовании устройства лицом, ответственным за безопасность.

- ▶ Запрещается эксплуатировать и обслуживать насос, находясь в состоянии сильной усталости, алкогольного, наркотического опьянения или под воздействием сильнодействующих медицинских препаратов.
- ▶ Дети и домашние животные не должны находиться вблизи насоса во время его работы. Следите за тем, чтобы дети не играли с устройством.

### Указания по технике безопасности при работе с насосом

- ▶ Любое использование насоса с нарушением правил его эксплуатации считается использованием не по назначению. За ущерб, возникший в результате использования не по назначению, ответственность несёт только пользователь.
- ▶ Насос не предназначен для профессионального или промышленного использования. Не допускается длительное непрерывное использование.
- ▶ Запрещается самовольное внесение изменений в конструкцию насоса, а также использование деталей, не прошедших испытания и не разрешённых к применению изготовителем.
- ▶ Запрещается перекачивание взрывоопасных, горючих, агрессивных или опасных для здоровья веществ, а также воды, содержащей механические примеси в виде песка, камней, и т. п.
- ▶ Насос не предназначен для перекачивания хлорсодержащей воды в плавательных бассейнах.
- ▶ Не рекомендуется для перекачивания питьевой воды.
- ▶ При первом запуске насоса необходимо обеспечить его полное заполнение водой. не допускается работа насоса без расхода воды.
- ▶ Не допускается попадание воздуха во всасывающую магистраль.
- ▶ Во избежании замерзания необходи-

мо полностью слить воду из насоса, а также всасывающей и напорной магистралей.

### Описание продукта и услуг



Прочтите все указания и инструкции по технике безопасности.

Несоблюдение указаний по технике безопасности и инструкций может привести к поражению электрическим током, пожару и/или тяжелым травмам.

Пожалуйста, соблюдайте иллюстрации в начале руководства по эксплуатации.

### Применение по назначению

Садовый насос предназначен для перекачивания чистой воды на садовых участках при осушении резервуаров и водоемов, организации забора воды с глубины (колодцы, скважины) и подачи ее на высоту, использования в системах аэрации и дренажа в течение ограниченного периода времени.

### Устройство насоса

Общий вид инструмента представлен на странице с иллюстрациями.

1. Сливное отверстие
2. Входное соединение
3. Крышка заливной горловины
4. Выходное соединение
5. Ручка
6. Переключатель

### Технические данные

Модель	POG1000-P
Номинальные напряжение/частота	220 В / 50 Гц
Номинальная мощность	1100 Вт
Производительность	3,5 м <sup>3</sup> / ч
Диаметр проходного отверстия	25 мм
Напор	40 мм
Глубина всасывания	8 м
Вес	7,5 кг

### Комплект поставки

Садовый насос	1 шт.
Ручка	1 шт.
Инструкция пользователя	1 шт.

### Примечание

В тексте и цифровых обозначениях могут быть допущены технические ошибки и опечатки.

Так как изделие постоянно совершенствуется, P.I.T. оставляет за собой право на внесение изменений в указанные здесь

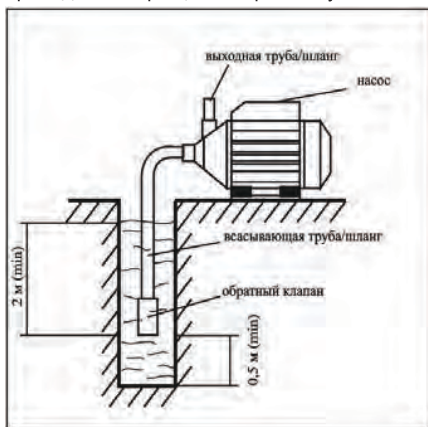
технические характеристики и комплектацию изделия без предварительного уведомления.

### Установка

Насос должен стоять на горизонтальной ровной поверхности, рассчитанной на вес насоса, заполненного водой.

Чтобы избежать вибраций насос не должен быть жестко привинчен, он должен устанавливаться на эластичную подложку. Место установки должно хорошо проветриваться и быть защищенным от атмосферных воздействий.

Устанавливать насос следует так, чтобы ротор располагался строго по горизонтали. Любое другое положение значительно снизит его производительность (до 30%) и приведет к сокращению срока службы.



### Подключение всасывающей линии

**Внимание!** Всасывающая линия должна монтироваться таким образом, чтобы она не оказывала никакого механического воздействия или напряжения на насос.

**Внимание!** Используйте приемный фильтр, чтобы защитить насос от песка и загрязнений.

**Внимание!** Чтобы вода не вытекала из отключенного насоса, обязательно нужно устанавливать на всасывающую трубу обратный клапан (в комплект поставки не входит)

Все резьбовые соединения должны быть герметизированы при помощи уплотнительной ленты. Через негерметичные места происходит подсасывание воздуха, в результате чего снижается или прекращается всасывание воды.

Всасывающая линия должна иметь внутренний диаметр не менее 1» (25мм). Она должна быть устойчива к заломам и вакууму.

Всасывающая линия должна быть настолько короткой, насколько это возможно, так как с увеличением длины линии уменьшается мощность подачи.

Всасывающая линия должна постоянно подниматься по направлению к насосу, для того чтобы не допустить возникновения воздушных карманов.

Необходимо обеспечить достаточный подвод воды, а конец всасывающей линии должен всегда находиться в воде.

### Подключение напорного трубопровода

**Внимание!** Напорный трубопровод должен монтироваться таким образом, чтобы он не оказывала никакого механического воздействия или напряжения на насос.

Все резьбовые соединения должны быть герметизированы при помощи уплотнительной ленты, чтобы предотвратить утечку воды.

Все детали напорного трубопровода должны выдерживать напор, их монтаж осуществляется квалифицированными специалистами.

**Опасность!** При наличии непрочных деталей и неквалифицированном монтаже напорный трубопровод может лопнуть во время эксплуатации. Вырывающаяся под давлением жидкость может травмировать Вас!

Чтобы снизить вибрации и шумы, насос должен подключаться в сети трубопроводов при помощи эластичных соединительных шлангов.

### Электрическое подсоединение и заземление

- Электромонтажные работы, установку розетки, предохранителей и подключение к питающей электросети должен выполнять квалифицированный электрик.
- Насос разрешается подключать только к розеткам с защитным контактом, которые надлежащим образом установлены, заземлены и проверены.

### Эксплуатация

#### Перед началом работ:

- Проверьте параметры питающей электросети. они должны соответствовать, данным указанным на двигателе.
- После электрического подсоединени-

я, блок запуска двигателя должен быть плотно закрыт, чтобы избежать попадания в него влаги.

- Проверить правильность монтажа всасывающей и напорной магистралей.

#### Заполнение водой:

- Выкрутить пробку заливного отверстия.
- Заполнить водой всасывающую трубу и насосную часть через заливное отверстие.
- После того как вода заполнит насосную часть, вытеснив из нее воздух, закрыть сливное отверстие.

#### Запуск:

- Вставьте вилку в розетку.
- Откройте напорный трубопровод, повернув водопроводный кран или сопло, чтобы при всасывании мог выходить воздух.
- Включите насос.
- Если вода выходит равномерно, насос готов к эксплуатации.
- После окончания работы выключите насос выключателем.

**ВНИМАНИЕ! Угроза получения травм от горячей воды.** При длительной работе с закрытой напорной стороной более 5-10 мин, вода в насосе может сильно нагреться, так что произойдет ее контролируемое вытекание и может произойти повреждение насосной части.

### Возможные проблемы и неполадки

#### Двигатель не работает:

- Проверьте предохранитель. Поручите электрику проверить линию электропитания.
- Термореле отключило двигатель. Дождитесь охлаждения двигателя. Следите за температурой перекачиваемой жидкости.
- Заблокировано рабочее колесо. Удалите загрязнение.

#### Насос работает, но не перекачивает жидкость:

- Низкий уровень жидкости. Глубже погрузите всасывающий шланг.
- Воздух в корпусе насоса. Заполните насос.
- Насос всасывает воздух. Проверьте герметичность всех соединений.
- Засорен всасывающий трубопровод. Удалите загрязнение на участке всасывания.

- Закрыт напорный трубопровод. Откройте напорный трубопровод.

- Перегнулся напорный шланг. Выпрямите напорный шланг.

#### Недостаточный перекачиваемый объем:

- Перегнулся напорный шланг. Выпрямите напорный шланг.
- Недостаточный диаметр шланга. Используйте напорный шланг большего диаметра.
- Слишком большая высота подачи. Соблюдайте максимальную высоту подачи, см. тех. характеристики
- Слишком большая высота всасывания. Соблюдайте максимальную высоту всасывания.

### Техобслуживание и сервис

#### Техобслуживание и очистка

- ▶ **Все работы по техническому обслуживанию должны проводиться при отключенном от сети кабеле.**

**Промывка насоса:** после перекачивания жидкостей оставляющих налет, насос необходимо промывать чистой водой.

#### Устранение засоров:

- Отключите насос от сети.
- Подключите напорный трубопровод к водопроводу.
- Вода должна протекать через корпус насоса, пока не будет устранен засор.
- Коротким включением проверьте свободное вращение насоса.

Если требуется поменять шнур, во избежание опасности обращайтесь на фирму P.I.T. или в авторизованную сервисную мастерскую для электроинструментов P.I.T.

#### Сервис

- ▶ **Ремонт вашего электроинструмента поручайте только квалифицированному персоналу и только с применением оригинальных запасных частей. Этим обеспечивается безопасность электроинструмента.**

Список авторизованных сервисных центров можно посмотреть на официальном сайте P.I.T. по ссылке: <https://pittools.ru/services/>

#### Хранение и транспортировка

##### Хранение:

- Слейте воду из всасывающего и напорного трубопроводов.
- Открутите резьбовую пробку сливного отверстия и дайте воде вытечь из насоса.
- Снова закрутите резьбовую пробку сливного отверстия и разместите насос

и принадлежности на хранение в защищённом от мороза месте, при температуре от 0 до +35°C и относительной влажности не более 80%.

Транспортировать продукцию можно любым видом закрытого транспорта в упаковке производителя или без нее, с сохранением изделия от механических повреждений, атмосферных осадков.

### Утилизация



При утилизации пришедшего в негодность насоса примите все меры, чтобы не нанести вреда окружающей среде.

Не стоит самостоятельно пытаться утилизировать насос. Настоятельно рекомендуется обратиться в специальную службу.

### Расшифровка даты изготовления изделия



Дата изготовления изделия зашифрована в серийном номере, напечатанном на корпусе инструмента. Первые 2 цифры обозначают год выпуска, следующие 2 цифры – месяц и следующие 2 цифры - день.

### УСЛОВИЯ ГАРАНТИЙНОГО ОБСЛУЖИВАНИЯ

1. Настоящее гарантийное свидетельство является единственным документом, подтверждающим ваше право на бесплатное гарантийное обслуживание. Без предъявления данного свидетельства претензии не принимаются. В случае утери или порчи гарантийное свидетельство не восстанавливается.

2. Гарантийный срок на электроинструмент, а также зарядные устройства и аккумуляторные батареи серии OnePower составляет 12 месяцев со дня продажи, в течение гарантийного срока сервисная служба бесплатно устраняет производственные дефекты и производит замену деталей, вышедших из строя по вине изготовителя. На период гарантийного ремонта эквивалентный исправный инструмент не предоставляется. Заменяемые детали переходят в собственность служб сервиса.

Компания P.I.T. не несет ответственности

за вред, который может быть причинен при работе с электроинструментом.

3. В гарантийный ремонт инструмент принимается в чистом виде, при обязательном наличии надлежащим образом оформленных документов: настоящего гарантийного свидетельства, гарантийного талона, с полностью заполненными полями, штампом торговой организации и подписью покупателя.

4. Гарантийный ремонт не производится в следующих случаях:

- повреждении насосной части или ее частей вследствие работы насоса всухую (без воды) или при длительной работе с закрытым напорным трубопроводом.
- при отсутствии гарантийного свидетельства и гарантийного талона или неправильном их оформлении;
- при совместном выходе из строя якоря и статора электродвигателя, при обугливание или оплавлении первичной обмотки трансформатора сварочного аппарата, зарядного или пуско-зарядного устройства, при оплавлении внутренних деталей, прожиге электронных плат;
- если гарантийное свидетельство или талон не принадлежит данному электроинструменту или не соответствует установленному поставщиком образцу;
- по истечении срока гарантии;
- при попытках самостоятельного вскрытия или ремонта электроинструмента вне гарантийной мастерской;
- внесения конструктивных изменений и смазки инструмента в гарантийный период, о чем свидетельствуют, например, заломы на шлицевых частях крепежа корпусных деталей.
- при использовании электроинструмента в производственных или иных целях, связанных с получением прибыли, а также при возникновении неисправностей связанных с нестабильностью параметров электросети, превышающих нормы, установленные ГОСТ;
- при неправильной эксплуатации (использование электроинструмента не по назначению, установки на электроинструмент не предназначенных заводом-изготовителем насадок, дополнительных приспособлений и т.п.;
- при механических повреждениях корпуса, сетевого шнура и при повреждениях, вызванных воздействиями агрессивных средств и высоких и низких температур,

попадании инородных предметов в вентиляционные решетки электроинструмента, а также при повреждениях, наступивших в результате неправильного хранения (коррозия металлических частей);

- при естественном износе деталей электроинструмента, в результате длительной эксплуатации (определяется по признакам полной или частичной выработки ресурса, сильного загрязнения, ржавчины снаружи и внутри электроинструмента, отработанной смазки в редукторе);

- использование инструмента не по назначению, указанному в инструкции по эксплуатации.

- при механических повреждениях инструмента;

- при возникновении повреждений в связи с несоблюдением предусмотренных инструкцией условий эксплуатации (см. главу «Указание по технике безопасности» в инструкции).

- повреждение изделия вследствие несоблюдения правил хранения и транспортировки.

- при сильном внутреннем загрязнении инструмента.

Профилактическое обслуживание электроинструмента (чистка, промывка, смазка, замена пыльников, поршневых и уплотнительных колец) в гарантийный период является платной услугой.

Срок службы изделия составляет 3 года. Срок хранения – 2 года. Не рекомендуется к эксплуатации по истечении 2 лет хранения с даты изготовления, которая указана в серийном номере на этикетке инструмента, без предварительной проверки (определение даты выпуска смотрите ранее в Руководстве пользователя).

О возможных нарушениях, изложенных выше условий гарантийного обслуживания, владельцу сообщается после проведения диагностики в сервисном центре.

Владелец инструмента доверяет проведение диагностики в сервисном центре в свое отсутствие.

Запрещается эксплуатация электроинструмента при проявлении признаков повышенного нагрева, искрения, а также шума в редукторной части. Для выяснения причин неисправности покупателю следует обратиться в гарантийную мастерскую.

Неисправности, вызванные несвоевременной заменой угольных щеток двигателя, устраняются за счет покупателя.

5. Гарантия не распространяется на:

- сменные принадлежности (аксессуары и оснастка), например: аккумуляторы, диски, ножи, сверла, буры, патроны, цепи, звездочки, цанговые зажимы, шины, элементы натяжения и крепления, головки триммеров, подошвы шлифовальных и ленточных машин, фильтры, головки шестигранные сменные насадки и т.п.

- быстроснашиваемые детали, например: угольные щетки, приводные ремни, сальники, защитные кожухи, направляющие ролики, направляющие, резиновые уплотнения, подшипники, зубчатые ремни и колеса, стволы, ленты тормоза, храповики и тросы стартеров, поршневые кольца и т.п.

Замена их в течение гарантийного срока является платной услугой.

- шнуры питания, в случае повреждения изоляции, шнуры питания подлежат обязательной замене без согласия владельца (услуга платная), в т.ч. корпуса инструмента.

**P.I.T. WARRANTY CERTIFICATE**

Product Name \_\_\_\_\_

Product Serial Number Charger Serial Number 

Sale Date \_\_\_\_\_

Trade Organization Name \_\_\_\_\_

Place of seal

Dear customer!

Thank you for purchasing the P.I.T. tool, and we hope that you will be satisfied with your choice. In the process of manufacturing the P.I.T. tools pass multilevel quality control, if nevertheless your product will need maintenance, please contact the authorized P.I.T. service centers.

Attention!

When buying, ask a seller to check the completeness and operability of the tool, to fill out the Warranty Certificate, the Warranty Card (the boxes shall be filled out by a seller) and to affix the seal of the trade organization in the Guarantee Certificate and the Warranty Card.

Warranty

By this Warranty Certificate, P.I.T. company guarantees the absence of defects of the production nature.

In the event any of the above defects are detected during the warranty period, the specialized P.I.T. service centers shall repair the product and replace the defective spare parts free of charge.

The warranty period for P.I.T. electric machines is 12 months from the date of sale.

“The warranty maintenance terms acknowledged and accepted. The operability and completeness of the product are checked in my presence. No claims on quality and appearance.”

Buyer's Signature \_\_\_\_\_ Surname (legibly) \_\_\_\_\_

Phone \_\_\_\_\_

**ГАРАНТИЙНОЕ СВИДЕТЕЛЬСТВО НА ИНСТРУМЕНТ P.I.T.**

Наименование изделия \_\_\_\_\_

Серийный номер изделия Серийный номер зарядного устройства 

Дата продажи « \_\_\_\_\_ » \_\_\_\_\_

Наименование торговой организации \_\_\_\_\_

Уважаемый покупатель!

М.П.

Благодарим Вас за покупку инструмента P.I.T. и надеемся, что Вы останетесь довольны своим выбором.

При необходимости обслуживания Вашего изделия обращайтесь в авторизованные сервисные центры P.I.T. Все сервисные центры представлены на сайте [www.pittools.ru](http://www.pittools.ru)

**Внимание!**

При покупке требуйте у продавца проверки работоспособности инструмента и его комплектности, а также заполнения гарантийного свидетельства, гарантийного талона (графы «Заполняются продавцом») и простановки печати торговой организации в гарантийном свидетельстве и гарантийных талонах.

**Гарантия**

На основании данного гарантийного свидетельства компания P.I.T. гарантирует отсутствие дефектов производственного характера.

Если в течение гарантийного срока в Вашем изделии обнаружатся указанные дефекты, то специализированные сервисные центры P.I.T. бесплатно отремонтируют изделие и заменят дефектные запасные части.

Гарантийный срок на электроинструменты P.I.T. составляет 12 месяцев со дня продажи.

«С условиями гарантийного обслуживания ознакомлен(а). Работоспособность и комплектность изделия проверены в моем присутствии. Претензий к качеству и внешнему виду не имею».

Подпись покупателя \_\_\_\_\_ Фамилия (разборчиво) \_\_\_\_\_

Телефон \_\_\_\_\_

## P.I.T. WARRANTY CARD

Name _____ Serial Number _____ Sale Date _____ 20____ Date of Receipt from Repair _____ 20____	<b>P.I.T.</b>		<b>№ 1</b>
	Name _____		
	Serial Number _____		
	Sale Date _____ 20____		Place of Seal
	(Filled out by a Seller)		
	WARRANTY REPAIR CARD		
	Date of Acceptance for Repair _____ 20____		
	Application for Repair _____		
	Customer _____		
	Phone (Address) _____		
Cause of Application _____			
Date of Receipt from Repair _____ 20____			
The Tool is checked in my presence _____			
(The Order shall be performed in a Service Center) (Signature)			
Name _____ Serial Number _____ Sale Date _____ 20____ Date of Receipt from Repair _____ 20____	<b>P.I.T.</b>		<b>№ 2</b>
	Name _____		
	Serial Number _____		
	Sale Date _____ 20____		Place of Seal
	(Filled out by a Seller)		
	WARRANTY REPAIR CARD		
	Date of Acceptance for Repair _____ 20____		
	Application for Repair _____		
	Customer _____		
	Phone (Address) _____		
Cause of Application _____			
Date of Receipt from Repair _____ 20____			
The Tool is checked in my presence _____			
(The Order shall be performed in a Service Center) (Signature)			
Name _____ Serial Number _____ Sale Date _____ 20____ Date of Receipt from Repair _____ 20____	<b>P.I.T.</b>		<b>№ 3</b>
	Name _____		
	Serial Number _____		
	Sale Date _____ 20____		Place of Seal
	(Filled out by a Seller)		
	WARRANTY REPAIR CARD		
	Date of Acceptance for Repair _____ 20____		
	Application for Repair _____		
	Customer _____		
	Phone (Address) _____		
Cause of Application _____			
Date of Receipt from Repair _____ 20____			
The Tool is checked in my presence _____			
(The Order shall be performed in a Service Center) (Signature)			



## ГАРАНТИЙНЫЙ ТАЛОН P.I.T.

P.I.T.

Талон № 1

Наименование \_\_\_\_\_  
 Серийный номер \_\_\_\_\_  
 Дата продажи « \_\_\_\_ » \_\_\_\_\_ 20\_\_ Place of Seal  
 (Заполняется продавцом)  
 КАРТА ГАРАНТИЙНОГО РЕМОНА  
 Дата приема ремонт \_\_\_\_\_ 20\_\_  
 Заявка на ремонт \_\_\_\_\_  
 Заказчик \_\_\_\_\_  
 Телефон (адрес) \_\_\_\_\_  
 Причина обращения \_\_\_\_\_  
 Дата получения от ремонта \_\_\_\_\_ 20\_\_  
 Инструмент проверен в моем присутствии \_\_\_\_\_  
 (Заказ заполняется в Сервисном Центре) (Подпись)

Наименование \_\_\_\_\_  
 Серийный номер \_\_\_\_\_ 20\_\_  
 Дата продажи \_\_\_\_\_ 20\_\_  
 Дата получения от ремонта \_\_\_\_\_ 20\_\_

P.I.T.

Талон № 2

Наименование \_\_\_\_\_  
 Серийный номер \_\_\_\_\_  
 Дата продажи « \_\_\_\_ » \_\_\_\_\_ 20\_\_ Place of Seal  
 (Заполняется продавцом)  
 КАРТА ГАРАНТИЙНОГО РЕМОНА  
 Дата приема ремонт \_\_\_\_\_ 20\_\_  
 Заявка на ремонт \_\_\_\_\_  
 Заказчик \_\_\_\_\_  
 Телефон (адрес) \_\_\_\_\_  
 Причина обращения \_\_\_\_\_  
 Дата получения от ремонта \_\_\_\_\_ 20\_\_  
 Инструмент проверен в моем присутствии \_\_\_\_\_  
 (Заказ заполняется в Сервисном Центре) (Подпись)

Наименование \_\_\_\_\_  
 Серийный номер \_\_\_\_\_ 20\_\_  
 Дата продажи \_\_\_\_\_ 20\_\_  
 Дата получения от ремонта \_\_\_\_\_ 20\_\_

P.I.T.

Талон № 3

Наименование \_\_\_\_\_  
 Серийный номер \_\_\_\_\_  
 Дата продажи « \_\_\_\_ » \_\_\_\_\_ 20\_\_ Place of Seal  
 (Заполняется продавцом)  
 КАРТА ГАРАНТИЙНОГО РЕМОНА  
 Дата приема ремонт \_\_\_\_\_ 20\_\_  
 Заявка на ремонт \_\_\_\_\_  
 Заказчик \_\_\_\_\_  
 Телефон (адрес) \_\_\_\_\_  
 Причина обращения \_\_\_\_\_  
 Дата получения от ремонта \_\_\_\_\_ 20\_\_  
 Инструмент проверен в моем присутствии \_\_\_\_\_  
 (Заказ заполняется в Сервисном Центре) (Подпись)

Наименование \_\_\_\_\_  
 Серийный номер \_\_\_\_\_ 20\_\_  
 Дата продажи \_\_\_\_\_ 20\_\_  
 Дата получения от ремонта \_\_\_\_\_ 20\_\_



www.pit-tools.com

# P.I.T.

**Поставщик / производитель:** Xinjiang Longbo Industrial Co., Ltd./Синьцзян Лонгбо Индастриал Ко., Лтд.

**Адрес производства:** Rm. 602, 6th Floor, No. 531, Weixing Road, Economic And Technological Development Zone, Urumqi, Xinjiang, China / Оф.602, 6 этаж, №531, Вейшинг Родд, Экономик Энд Технолоджикал Девелопмент Зон, Урумчи, Синьцзян, Китай

**Импортер/ организация, уполномоченная принимать претензии:** ООО «Турбо-Тулс»

**Юридический адрес:** 117246, г. Москва, ул. Херсонская, 43 - 670

**Вопросы и предложения направляйте по адресу:** 614058, г. Пермь, ул. Фоминская, 36

**Горячая линия по сервисному обслуживанию:**



\*2445

Звонок с мобильного  
бесплатный

[info@pittools.ru](mailto:info@pittools.ru)

Сделано в КНР / Made in China



**TM.by**  
ONLINE STORE

<https://tm.by>  
Интернет-магазин