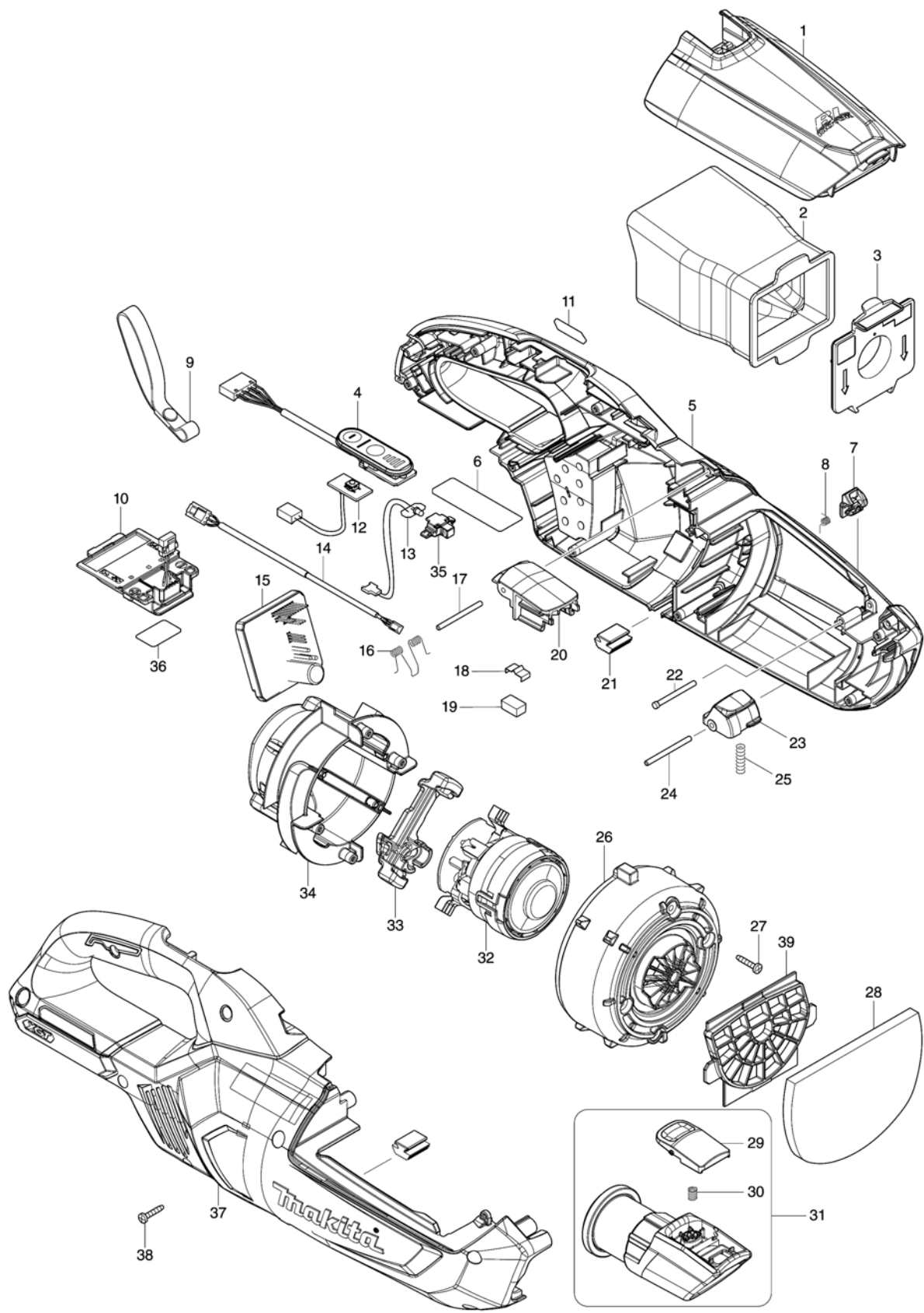


Model No.CL002G CORDLESS CLEANER



Model No.CL002G CORDLESS CLEANER

| Item  | Parts No. | Description                    | I/C | Qty | New/Old | Opt. 1 | Opt. 2 | Note |
|-------|-----------|--------------------------------|-----|-----|---------|--------|--------|------|
| 001A  | 141F21-0  | FRONT COVER COMPLETE           |     | 1   |         |        |        |      |
| 001B  | 141F10-5  | FRONT COVER COMPLETE           |     | 1   |         |        |        |      |
| 001C  | 141F10-5  | FRONT COVER COMPLETE           |     | 1   |         |        |        |      |
| C10   | 424093-7  | SEAL                           |     | 1   |         |        |        |      |
| 002   | 198749-5  | EASY SHAKE OFF DUST BAG SET EU |     | 1   | *       |        |        |      |
| 002-1 | 1910M4-5  | HIGH PERFORMANCE DUST BAG SET  | <   | 1   |         |        |        |      |
| 003   | 140K23-3  | VALVE STAY COMPLETE            |     | 1   |         |        |        |      |
| 004   | 141B54-1  | INDICATION CIRCUIT COMPLETE    |     | 1   |         |        |        |      |
| C10   | 8031J2-9  | SWITCH LABEL                   |     | 1   |         |        |        |      |
| 005A  | 183U75-1  | HOUSING SET                    |     | 1   |         |        |        |      |
| 005B  | 183U26-4  | HOUSING SET                    |     | 1   |         |        |        |      |
| 005C  | 183U26-4  | HOUSING SET                    |     | 1   |         |        |        |      |
| C10   | 263005-3  | RUBBER PIN 6                   |     | 2   |         |        |        |      |
| C20   | 422714-5  | SPONGE SEAT                    |     | 2   |         |        |        |      |
| D10   |           | INC. 21,37                     |     |     |         |        |        |      |
| 006   | 8115A3-4  | CL002G NAME PLATE              |     | 1   |         |        |        |      |
| 007A  | 459302-5  | STOPPER PLATE                  |     | 1   |         |        |        |      |
| 007B  | 459327-9  | STOPPER PLATE                  |     | 1   |         |        |        |      |
| 007C  | 459327-9  | STOPPER PLATE                  |     | 1   |         |        |        |      |
| 008   | 232484-6  | TORSION SPRING 4               |     | 1   |         |        |        |      |
| 010   | 632P65-6  | TERMINAL UNIT                  |     | 1   |         |        |        |      |
| 011   | 8005T5-8  | XGT LOGO LABEL                 |     | 1   |         |        |        |      |
| 012   | 620E74-1  | SWITCH UNIT                    |     | 1   |         |        |        |      |
| 013   | 620E82-2  | LED CIRCUIT                    |     | 1   |         |        |        |      |
| 014   | 632S32-9  | LEAD UNIT                      |     | 1   |         |        |        |      |
| 015   | 620E90-3  | CONTROLLER                     |     | 1   |         |        |        |      |
| 016   | 233580-3  | TORSION SPRING 4               |     | 1   |         |        |        |      |
| 017   | 268271-7  | PIN 3                          |     | 1   |         |        |        |      |
| 018   | 232264-0  | LEAF SPRING                    |     | 1   |         |        |        |      |
| 019   | 424367-6  | RUBBER                         |     | 1   |         |        |        |      |
| 020A  | 459351-2  | FRONT COVER JOINT              |     | 1   |         |        |        |      |
| 020B  | 459330-0  | FRONT COVER JOINT              |     | 1   |         |        |        |      |
| 020C  | 459330-0  | FRONT COVER JOINT              |     | 1   |         |        |        |      |
| 021   | 422460-0  | RUBBER PLATE                   |     | 2   |         |        |        |      |
| 022   | 256590-3  | FLAT FILLISTER HD. PIN 3       |     | 1   |         |        |        |      |
| 023A  | 459349-9  | BUTTON B                       |     | 1   |         |        |        |      |
| 023B  | 459329-5  | BUTTON B                       |     | 1   |         |        |        |      |
| 023C  | 459329-5  | BUTTON B                       |     | 1   |         |        |        |      |
| 024   | 268271-7  | PIN 3                          |     | 1   |         |        |        |      |
| 025   | 233344-5  | COMPRESSION SPRING 4           |     | 1   |         |        |        |      |
| 026   | 413645-9  | MOTOR COVER F                  |     | 1   |         |        |        |      |

Please order the parts with part number.

Print Date 4/2/2022

Model No.CL002G CORDLESS CLEANER

| Item | Parts No. | Description                    | I/C | Qty | New/Old | Opt. 1 | Opt. 2 | Note |
|------|-----------|--------------------------------|-----|-----|---------|--------|--------|------|
| 027  | 266429-2  | TAPPING SCREW 3X16             |     | 4   |         |        |        |      |
| 028  | 424804-0  | SPONGE SHEET 76-110            |     | 1   |         |        |        |      |
| 029  | 413F33-6  | BUTTON C                       |     | 1   |         |        |        |      |
| 030  | 232485-4  | COMPRESSION SPRING 5           |     | 1   |         |        |        |      |
| 031A | 136586-9  | INLET ASS'Y                    |     | 1   |         |        |        |      |
| 031B | 136585-1  | INLET ASS'Y                    |     | 1   |         |        |        |      |
| 031C | 136585-1  | INLET ASS'Y                    |     | 1   |         |        |        |      |
| C10  | 424094-5  | PACKING                        |     | 1   |         |        |        |      |
| D10  |           | INC. 29,30                     |     |     |         |        |        |      |
| 032  | 629A46-9  | MOTOR ASSEMBLY                 |     | 1   |         |        |        |      |
| 033  | 422723-4  | MOTOR COVER SEAL               |     | 1   |         |        |        |      |
| 034  | 141E55-7  | MOTOR COVER R COMPLETE         |     | 1   |         |        |        |      |
| C10  | 263002-9  | RUBBER PIN 4                   |     | 4   |         |        |        |      |
| 035  | 141H09-2  | LED CASE COMPLETE              |     | 1   |         |        |        |      |
| 036  | 8115A9-2  | CL002G SERIAL NO. LABEL        |     | 1   |         |        |        |      |
| 037A | 183U75-1  | HOUSING SET                    |     | 1   |         |        |        |      |
| 037B | 183U26-4  | HOUSING SET                    |     | 1   |         |        |        |      |
| 037C | 183U26-4  | HOUSING SET                    |     | 1   |         |        |        |      |
| C10  | 263005-3  | RUBBER PIN 6                   |     | 2   |         |        |        |      |
| C20  | 422714-5  | SPONGE SEAT                    |     | 2   |         |        |        |      |
| D10  |           | INC. 5,21                      |     |     |         |        |        |      |
| 038  | 266429-2  | TAPPING SCREW 3X16             |     | 9   |         |        |        |      |
| 039  | 413J77-0  | GUARD                          |     | 1   |         |        |        |      |
| A01A | 127828-2  | NOZZLE ASSEMBLY                |     | 1   |         |        |        |      |
| A01B | 127825-8  | NOZZLE ASSEMBLY                |     | 1   |         |        |        |      |
| A01C | 127825-8  | NOZZLE ASSEMBLY                |     | 1   |         |        |        |      |
| A02A | 413809-5  | SASH NOZZLE                    |     | 1   |         |        |        |      |
| A02B | 413770-6  | SASH NOZZLE                    |     | 1   |         |        |        |      |
| A02C | 413770-6  | SASH NOZZLE                    |     | 1   |         |        |        |      |
| A03A | 459038-6  | NOZZLE HOLDER                  |     | 1   |         |        |        |      |
| A03B | 459354-6  | NOZZLE HOLDER                  |     | 1   |         |        |        |      |
| A03C | 459354-6  | NOZZLE HOLDER                  |     | 1   |         |        |        |      |
| A04A | 458942-6  | PIPE                           |     | 1   |         |        |        |      |
| A04B | 459353-8  | PIPE                           |     | 1   |         |        |        |      |
| A04C | 459353-8  | PIPE                           |     | 1   |         |        |        |      |
| A09  | 194566-1  | PAPER FILTER SET<br>(5PCS/SET) |     | 1   |         |        |        |      |
| A10C | ***DC40RA | DC40RA FAST CHARGER            |     | 1   |         |        |        |      |
| D10  |           | COMPO-PARTS                    |     |     |         |        |        |      |
| A11C | 191B36-3  | BATTERY BL4025 SET             |     | 2   |         |        |        |      |
| A12C | 412393-7  | BATTERY COVER                  |     | 2   |         |        |        |      |
| E01  | 688163-8  | LINE FILTER                    |     | 1   |         |        |        |      |

Please order the parts with part number.

Print Date 4/2/2022