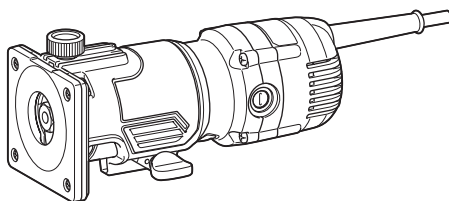


| | | | |
|----|----------------------|--------------------------------|----|
| EN | Trimmer | INSTRUCTION MANUAL | 7 |
| SV | Kantfräs | BRUKSANVISNING | 12 |
| NO | Tilskjæringsmaskin | BRUKSANVISNING | 17 |
| FI | Jyrsin | KÄYTTÖOHJE | 22 |
| DA | Overfræser | BRUGSANVISNING | 27 |
| LV | Apgriezējmašīna | LIETOŠANAS INSTRUKCIJA | 32 |
| LT | Profiliavimo staklės | NAUDOJIMO INSTRUKCIJA | 37 |
| ET | Servamismasin | KASUTUSJUHEND | 42 |
| RU | Триммер | РУКОВОДСТВО ПО ЭКСПЛУАТАЦИИ | 47 |

M3702



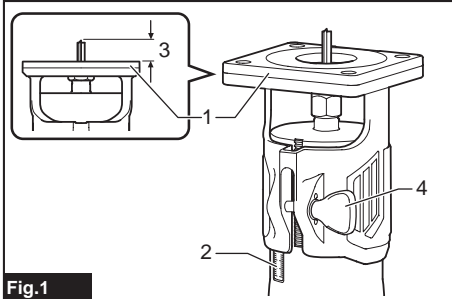


Fig.1

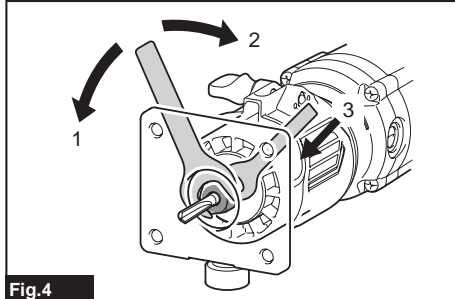


Fig.4

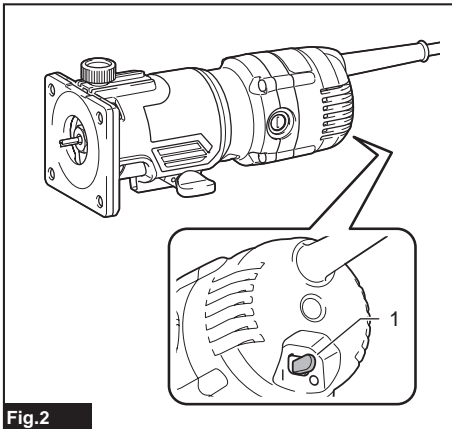


Fig.2

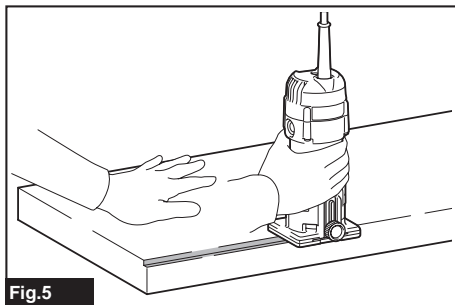


Fig.5

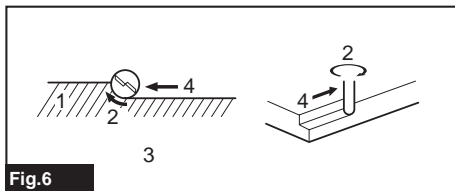


Fig.6

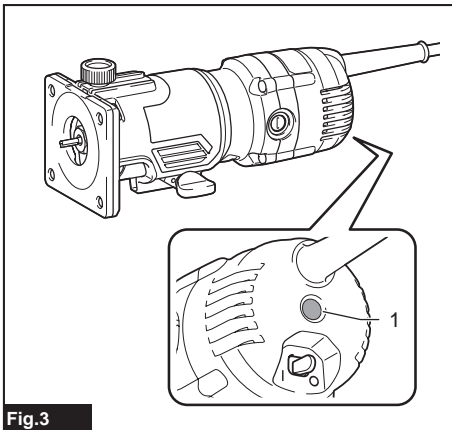


Fig.3

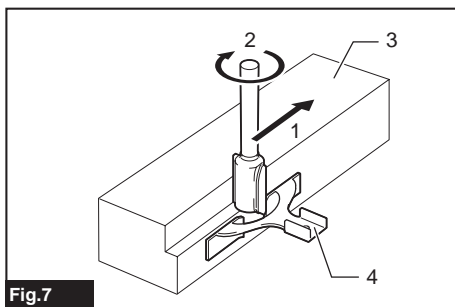


Fig.7

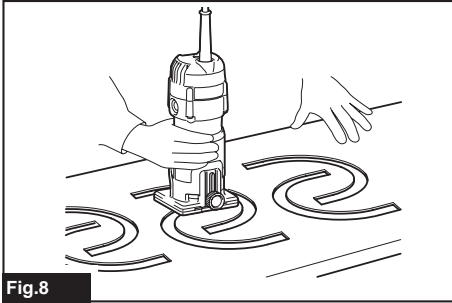


Fig.8

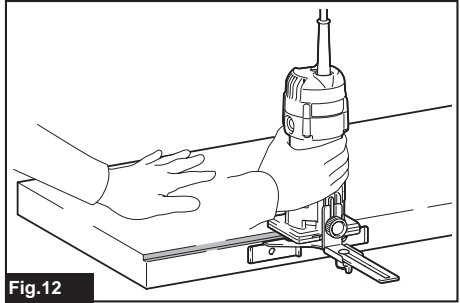


Fig.12

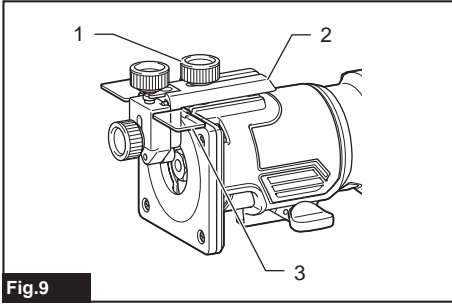


Fig.9

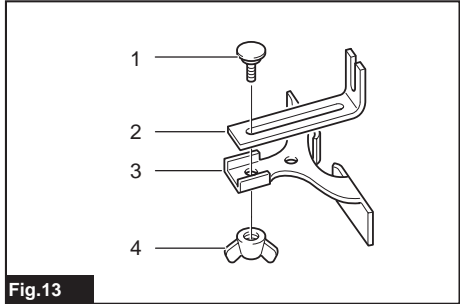


Fig.13

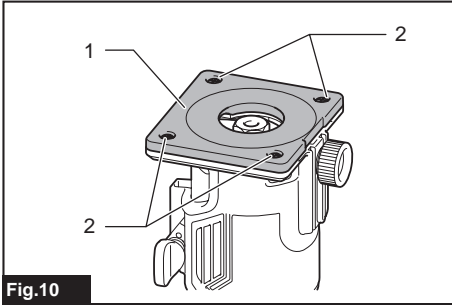


Fig.10

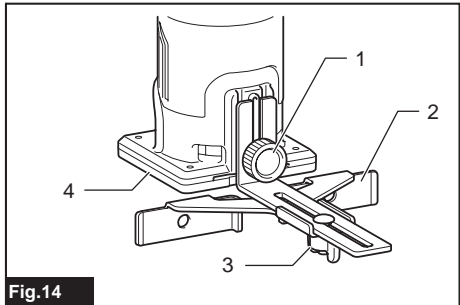


Fig.14

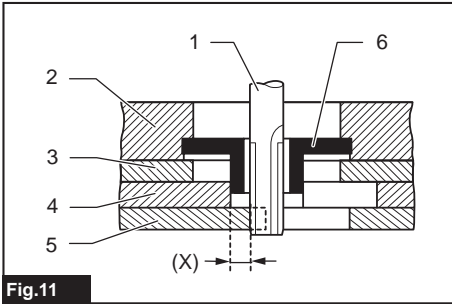


Fig.11

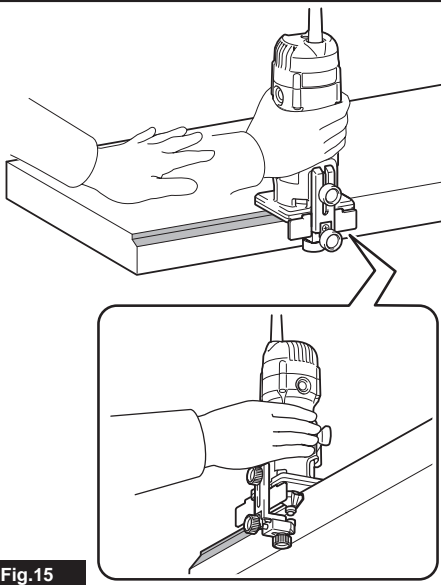


Fig.15

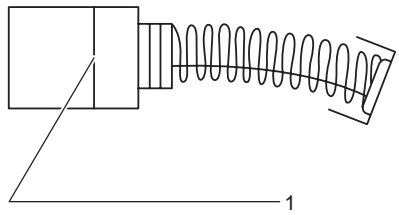


Fig.18

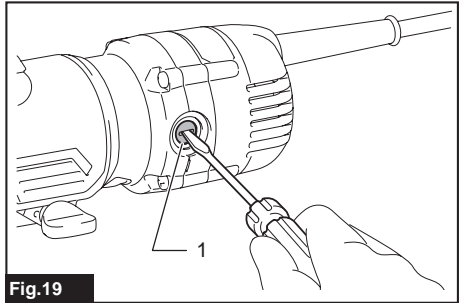


Fig.19

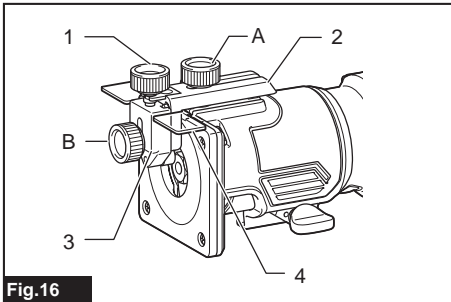


Fig.16

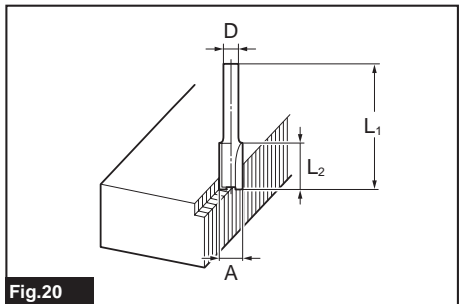


Fig.20

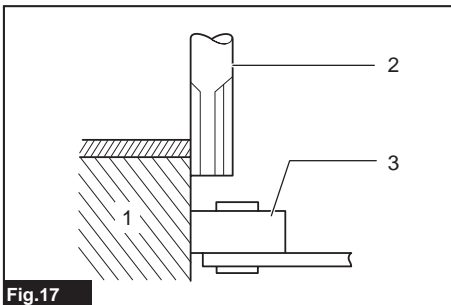


Fig.17

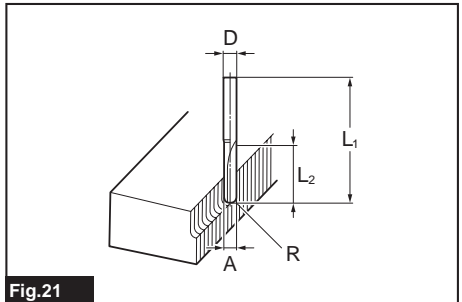


Fig.21

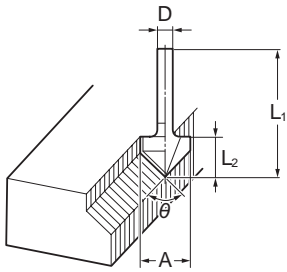


Fig.22

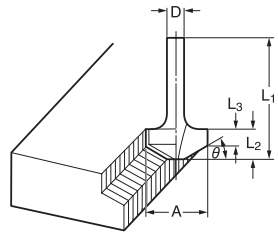


Fig.26

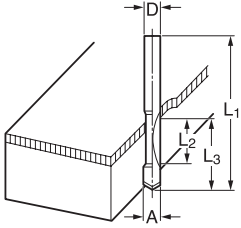


Fig.23

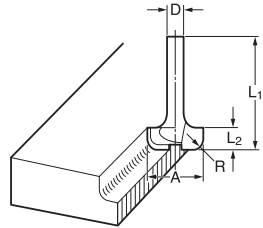


Fig.27

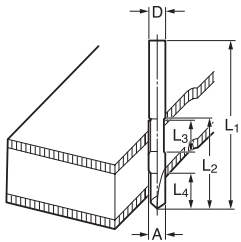


Fig.24

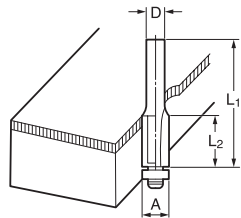


Fig.28

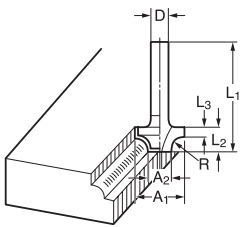


Fig.25

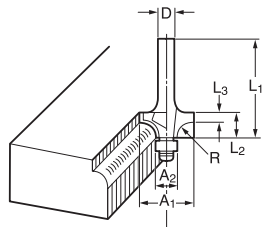
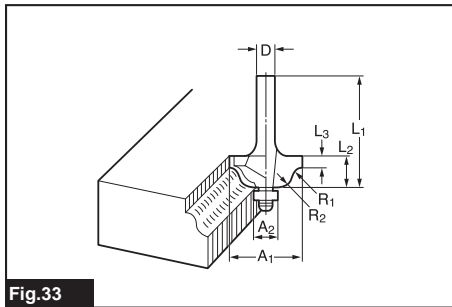
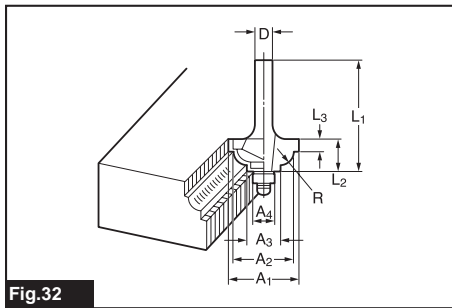
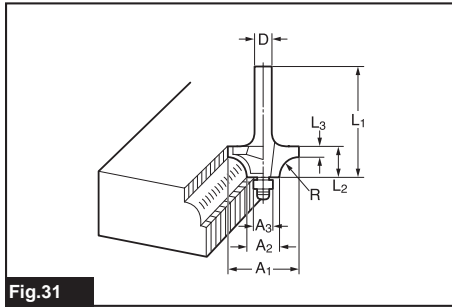
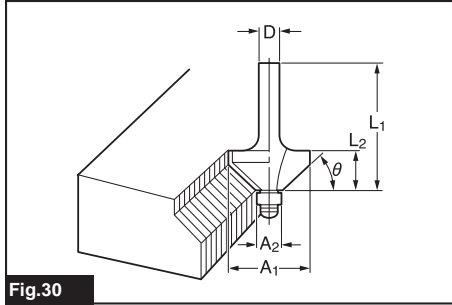


Fig.29



SPECIFICATIONS

| | |
|-----------------------|--------------------------|
| Model: | M3702 |
| Collet chuck capacity | 6.35 mm (1/4") or 6.0 mm |
| No load speed | 35,000 min ⁻¹ |
| Overall height | 211 mm |
| Net weight | 1.5 kg |
| Safety class | □/II |

- Due to our continuing program of research and development, the specifications herein are subject to change without notice.
- Specifications may differ from country to country.
- Weight according to EPTA-Procedure 01/2014

Intended use

The tool is intended for trimming the edge of laminate sheet or similar materials.

Power supply

The tool should be connected only to a power supply of the same voltage as indicated on the nameplate, and can only be operated on single-phase AC supply. They are double-insulated and can, therefore, also be used from sockets without earth wire.

Noise

The typical A-weighted noise level determined according to 62841-2-17:

Sound pressure level (L_{pA}): 83 dB(A)

Sound power level (L_{WA}): 94 dB(A)

Uncertainty (K): 3 dB(A)

NOTE: The declared noise emission value(s) has been measured in accordance with a standard test method and may be used for comparing one tool with another.

NOTE: The declared noise emission value(s) may also be used in a preliminary assessment of exposure.

▲ WARNING: Wear ear protection.

▲ WARNING: The noise emission during actual use of the power tool can differ from the declared value(s) depending on the ways in which the tool is used especially what kind of workpiece is processed.

▲ WARNING: Be sure to identify safety measures to protect the operator that are based on an estimation of exposure in the actual conditions of use (taking account of all parts of the operating cycle such as the times when the tool is switched off and when it is running idle in addition to the trigger time).

Vibration

The vibration total value (tri-axial vector sum) determined according to 62841-2-17:

Work mode: rotation without load

Vibration emission (a_h): 2.5 m/s² or less

Uncertainty (K): 1.5 m/s²

NOTE: The declared vibration total value(s) has been measured in accordance with a standard test method and may be used for comparing one tool with another.

NOTE: The declared vibration total value(s) may also be used in a preliminary assessment of exposure.

▲ WARNING: The vibration emission during actual use of the power tool can differ from the declared value(s) depending on the ways in which the tool is used especially what kind of workpiece is processed.

▲ WARNING: Be sure to identify safety measures to protect the operator that are based on an estimation of exposure in the actual conditions of use (taking account of all parts of the operating cycle such as the times when the tool is switched off and when it is running idle in addition to the trigger time).

EC Declaration of Conformity

For European countries only

The EC declaration of conformity is included as Annex A to this instruction manual.

SAFETY WARNINGS

General power tool safety warnings

▲ WARNING: Read all safety warnings, instructions, illustrations and specifications provided with this power tool. Failure to follow all instructions listed below may result in electric shock, fire and/or serious injury.

Save all warnings and instructions for future reference.

The term "power tool" in the warnings refers to your mains-operated (corded) power tool or battery-operated (cordless) power tool.

Trimmer safety warnings

1. **Hold the power tool by insulated gripping surfaces only, because the cutter may contact its own cord.** Cutting a "live" wire may make exposed metal parts of the power tool "live" and could give the operator an electric shock.
2. **Use clamps or another practical way to secure and support the workpiece to a stable platform.** Holding the work by your hand or against the body leaves it unstable and may lead to loss of control.
3. **The trimmer bit shank must match the designed collet chuck.**
4. **Only use a trimmer bit that is rated at least equal to the maximum speed marked on the tool.**
5. **Wear hearing protection during extended period of operation.**
6. **Handle the trimmer bits very carefully.**
7. **Check the trimmer bit carefully for cracks or damage before operation. Replace cracked or damaged bit immediately.**
8. **Avoid cutting nails. Inspect for and remove all nails from the workpiece before operation.**
9. **Hold the tool firmly.**
10. **Keep hands away from rotating parts.**
11. **Make sure the trimmer bit is not contacting the workpiece before the switch is turned on.**
12. **Before using the tool on an actual workpiece, let it run for a while. Watch for vibration or wobbling that could indicate improperly installed bit.**
13. **Be careful of the trimmer bit rotating direction and the feed direction.**
14. **Do not leave the tool running. Operate the tool only when hand-held.**
15. **Always switch off and wait for the trimmer bit to come to a complete stop before removing the tool from workpiece.**
16. **Do not touch the trimmer bit immediately after operation; it may be extremely hot and could burn your skin.**
17. **Do not smear the base carelessly with thinner, gasoline, oil or the like. They may cause cracks in the base.**
18. **Some material contains chemicals which may be toxic. Take caution to prevent dust inhalation and skin contact. Follow material supplier safety data.**
19. **Always use the correct dust mask/respirator for the material and application you are working with.**
20. **Place the tool on stable area. Otherwise falling accident may occur and cause an injury.**

SAVE THESE INSTRUCTIONS.

⚠ WARNING: DO NOT let comfort or familiarity with product (gained from repeated use) replace strict adherence to safety rules for the subject product. MISUSE or failure to follow the safety rules stated in this instruction manual may cause serious personal injury.

FUNCTIONAL DESCRIPTION

⚠ CAUTION: Always be sure that the tool is switched off and unplugged before adjusting or checking function on the tool.

Adjusting trimmer bit protrusion

To adjust the bit protrusion, loosen the clamping screw and move the base up or down as desired. After adjusting, tighten the clamping screw firmly to secure the base.

► **Fig.1:** 1. Base 2. Scale 3. Bit protrusion 4. Clamping screw

Switch action

⚠ CAUTION: Before plugging in the tool, always be sure that the tool is switched off.

To start the tool, move the switch lever to the I position. To stop the tool, move the switch lever to the O position.

► **Fig.2:** 1. Switch lever

Electronic function

The tool is equipped with the electronic functions for easy operation.

Indication lamp

► **Fig.3:** 1. Indication lamp

The indication lamp lights up green when the tool is plugged. If the indication lamp does not light up, the mains cord or the controller may be defective. The indication lamp is lit but the tool does not start even if the tool is switched on, the carbon brushes may be worn out, or the controller, the motor or the ON/OFF switch may be defective.

Unintentional restart proof

The tool does not start with the switch lever in I position even when the tool is plugged.

At this time, the indication lamp blinks in red and shows the unintentional restart proof device is on function.

To cancel the unintentional restart proof, return the switch lever to O position.

Soft start feature

Soft-start feature minimizes start-up shock, and makes the tool start smoothly.

ASSEMBLY

CAUTION: Always be sure that the tool is switched off and unplugged before carrying out any work on the tool.

Installing or removing trimmer bit

CAUTION: Do not tighten the collet nut without inserting a trimmer bit, or the collet cone will break.

CAUTION: Use only the wrenches provided with the tool.

Insert the trimmer bit all the way into the collet cone and tighten the collet nut securely with the two wrenches. To remove the bit, follow the installation procedure in reverse.

► **Fig.4:** 1. Loosen 2. Tighten 3. Hold

OPERATION

CAUTION: Always hold the tool firmly with one hand on housing. Do not touch the metal part.

1. Set the base on the workpiece to be cut without the trimmer bit making any contact.
 2. Turn the tool on and wait until the trimmer bit attains full speed.
 3. Move the tool forward over the workpiece surface, keeping the base flush and advancing smoothly until the cutting is complete.
- **Fig.5**

When doing edge cutting, the workpiece surface should be on the left side of the trimmer bit in the feed direction.

► **Fig.6:** 1. Workpiece 2. Bit revolving direction 3. View from the top of the tool 4. Feed direction

When using the straight guide or the trimmer guide, be sure to keep it on the right side in the feed direction. This will help to keep it flush with the side of the workpiece.

► **Fig.7:** 1. Feed direction 2. Bit revolving direction 3. Workpiece 4. Straight guide

NOTE: Moving the tool forward too fast may cause a poor quality of cut, or damage to the trimmer bit or motor. Moving the tool forward too slowly may burn and mar the cut. The proper feed rate will depend on the bit size, the kind of workpiece and depth of cut. Before beginning the cut on the actual workpiece, it is advisable to make a sample cut on a piece of scrap lumber. This will show exactly how the cut will look as well as enable you to check dimensions.

Templet guide

The templet guide provides a sleeve through which the trimmer bit passes, allowing use of the trimmer with templet patterns.

► **Fig.8**

1. Loosen the clamping screw and then remove the guide holder and the chip deflector.
► **Fig.9:** 1. Clamping screw 2. Guide holder 3. Chip deflector
2. Loosen the screws and remove the base protector.
► **Fig.10:** 1. Base protector 2. Screws
3. Place the templet guide on the base, and place the base protector again. Then secure the base protector by tightening the screws.
4. Secure the templet to the workpiece. Place the tool on the templet and move the tool with the templet guide sliding along the side of the templet.
► **Fig.11:** 1. Trimmer bit 2. Base 3. Base protector 4. Templet 5. Workpiece 6. Templet guide

NOTE: The workpiece will be cut a slightly different size from the templet. Allow for the distance (X) between the trimmer bit and the outside of the templet guide. The distance (X) can be calculated by using the following equation:

Distance (X) = (outside diameter of the templet guide - trimmer bit diameter) / 2

Straight guide

The straight guide is effectively used for straight cuts when chamfering.

► **Fig.12**

1. Attach the guide plate to the straight guide with the bolt and the wing nut.
► **Fig.13:** 1. Bolt 2. Guide plate 3. Straight guide 4. Wing nut
2. Remove the guide holder and the chip deflector then attach the straight guide with the clamping screw.
► **Fig.14:** 1. Clamping screw 2. Straight guide 3. Wing nut 4. Base
3. Loosen the wing nut on the straight guide and adjust the distance between the trimmer bit and the straight guide. At the desired distance, tighten the wing nut securely.
4. When cutting, move the tool with the straight guide flush with the side of the workpiece.

Trimmer guide

Trimming, curved cuts in veneers for furniture and the like can be done easily with the trimmer guide. The guide roller rides the curve and assures a fine cut.

► **Fig.15**

1. Attach the chip deflector on the groove of the base.
2. Install the trimmer guide and guide holder on the base with the clamping screw (A).

3. Loosen the clamping screw (B) and adjust the distance between the trimmer bit and the trimmer guide by turning the adjusting screw (1 mm per turn). At the desired distance, tighten the clamping screw (B) to secure the trimmer guide in place.

► **Fig.16:** 1. Adjusting screw 2. Guide holder
3. Trimmer guide 4. Chip deflector

4. When cutting, move the tool with the guide roller riding the side of the workpiece.

► **Fig.17:** 1. Workpiece 2. Trimmer bit 3. Guide roller

MAINTENANCE

CAUTION: Always be sure that the tool is switched off and unplugged before attempting to perform inspection or maintenance.

NOTICE: Never use gasoline, benzine, thinner, alcohol or the like. Discoloration, deformation or cracks may result.

To maintain product SAFETY and RELIABILITY, repairs, any other maintenance or adjustment should be performed by Makita Authorized or Factory Service Centers, always using Makita replacement parts.

Replacing carbon brushes

► **Fig.18:** 1. Limit mark

Check the carbon brushes regularly. Replace them when they wear down to the limit mark. Keep the carbon brushes clean and free to slip in the holders. Both carbon brushes should be replaced at the same time. Use only identical carbon brushes.

- Use a screwdriver to remove the brush holder caps.
- Take out the worn carbon brushes, insert the new ones and secure the brush holder caps.

► **Fig.19:** 1. Brush holder cap

OPTIONAL ACCESSORIES

CAUTION: These accessories or attachments are recommended for use with your Makita tool specified in this manual. The use of any other accessories or attachments might present a risk of injury to persons. Only use accessory or attachment for its stated purpose.

If you need any assistance for more details regarding these accessories, ask your local Makita Service Center.

NOTE: Some items in the list may be included in the tool package as standard accessories. They may differ from country to country.

Trimmer bits

Straight bit

► **Fig.20**

| D | A | L1 | L2 |
|------|----|----|----|
| 6 | 20 | 50 | 15 |
| 1/4" | | | |
| 6 | 8 | 50 | 18 |
| 1/4" | | | |
| 6 | 6 | 50 | 18 |
| 1/4" | | | |

Unit:mm

U-grooving bit

► **Fig.21**

| D | A | L1 | L2 | R |
|------|---|----|----|---|
| 6 | 6 | 60 | 28 | 3 |
| 1/4" | | | | |

Unit:mm

V-grooving bit

► **Fig.22**

| D | A | L1 | L2 | θ |
|------|----|----|----|-----|
| 1/4" | 20 | 50 | 15 | 90° |

Unit:mm

Drill point flush trimming bit

► **Fig.23**

| D | A | L1 | L2 | L3 |
|------|---|----|----|----|
| 6 | 6 | 60 | 18 | 28 |
| 1/4" | | | | |

Unit:mm

Drill point double flush trimming bit

► **Fig.24**

| D | A | L1 | L2 | L3 | L4 |
|------|---|----|----|----|----|
| 6 | 6 | 70 | 40 | 12 | 14 |
| 1/4" | | | | | |

Unit:mm

Corner rounding bit

► **Fig.25**

| D | A1 | A2 | L1 | L2 | L3 | R |
|------|----|----|----|----|----|---|
| 6 | 25 | 9 | 48 | 13 | 5 | 8 |
| 1/4" | | | | | | |
| 6 | 20 | 8 | 45 | 10 | 4 | 4 |
| 1/4" | | | | | | |

Unit:mm

Chamfering bit**► Fig.26**

| D | A | L1 | L2 | L3 | θ |
|---|----|----|----|----|-----|
| 6 | 23 | 46 | 11 | 6 | 30° |
| 6 | 20 | 50 | 13 | 5 | 45° |
| 6 | 20 | 49 | 14 | 2 | 60° |

Unit:mm

Cove beading bit**► Fig.27**

| D | A | L1 | L2 | R |
|---|----|----|----|---|
| 6 | 20 | 43 | 8 | 4 |
| 6 | 25 | 48 | 13 | 8 |

Unit:mm

Ball bearing flush trimming bit**► Fig.28**

| D | A | L1 | L2 |
|------|----|----|----|
| 6 | 10 | 50 | 20 |
| 1/4" | | | |

Unit:mm

Ball bearing corner rounding bit**► Fig.29**

| D | A1 | A2 | L1 | L2 | L3 | R |
|------|----|----|----|----|-----|---|
| 6 | 15 | 8 | 37 | 7 | 3.5 | 3 |
| 6 | 21 | 8 | 40 | 10 | 3.5 | 6 |
| 1/4" | 21 | 8 | 40 | 10 | 3.5 | 6 |

Unit:mm

Ball bearing chamfering bit**► Fig.30**

| D | A1 | A2 | L1 | L2 | θ |
|------|----|----|----|----|-----|
| 6 | 26 | 8 | 42 | 12 | 45° |
| 1/4" | | | | | |
| 6 | 20 | 8 | 41 | 11 | 60° |

Unit:mm

Ball bearing beading bit**► Fig.31**

| D | A1 | A2 | A3 | L1 | L2 | L3 | R |
|---|----|----|----|----|----|-----|---|
| 6 | 20 | 12 | 8 | 40 | 10 | 5.5 | 4 |
| 6 | 26 | 12 | 8 | 42 | 12 | 4.5 | 7 |

Unit:mm

Ball bearing cove beading bit**► Fig.32**

| D | A1 | A2 | A3 | A4 | L1 | L2 | L3 | R |
|---|----|----|----|----|----|----|-----|---|
| 6 | 20 | 18 | 12 | 8 | 40 | 10 | 5.5 | 3 |
| 6 | 26 | 22 | 12 | 8 | 42 | 12 | 5 | 5 |

Unit:mm

Ball bearing roman ogee bit**► Fig.33**

| D | A1 | A2 | L1 | L2 | L3 | R1 | R2 |
|---|----|----|----|----|-----|-----|-----|
| 6 | 20 | 8 | 40 | 10 | 4.5 | 2.5 | 4.5 |
| 6 | 26 | 8 | 42 | 12 | 4.5 | 3 | 6 |

Unit:mm

SPECIFIKATIONER

| Modell: | M3702 |
|-----------------------------|-----------------------------|
| Spännhylschuckens kapacitet | 6,35 mm (1/4") eller 6,0 mm |
| Hastighet utan belastning | 35 000 min ⁻¹ |
| Total höjd | 211 mm |
| Nettovikt | 1,5 kg |
| Säkerhetsklass | II/III |

- På grund av vårt pågående program för forskning och utveckling kan dessa specifikationer ändras utan föregående meddelande.
- Specifikationer kan variera mellan olika länder.
- Vikt enligt EPTA-procedur 01/2014

Avsedd användning

Verktyget är avsett för att trimma kanten på laminatski-
vor eller liknande material.

Strömförsörjning

Maskinen får endast anslutas till elnät med samma spänning som
anges på typlåten och med enfasig växelström. De är dubbeliso-
lerade och får därför också anslutas i ojordade vägguttag.

Buller

Den normala bullernivån för A-belastning är bestämd
enligt 62841-2-17:

Ljudtrycksnivå (L_{pA}): 83 dB (A)

Ljudeffektnivå (L_{WA}): 94 dB (A)

Måttolerans (K): 3 dB (A)

OBS: Det deklarerade bullervärdet har uppmätts i
enlighet med standardtestmetoden och kan användas
för jämförandet av en maskin med en annan.

OBS: Det deklarerade bulleremissionsvärdet kan
också användas i en preliminär bedömning av expo-
nering för vibration.

⚠ VARNING: Använd hörselskydd.

⚠ VARNING: Bulleremissionen under faktisk
användning av maskinen kan skilja sig från det dekla-
rerade värdet, beroende på hur maskinen används och
särskilt vilken typ av arbetsstycke som behandlas.

⚠ VARNING: Var noga med att identifiera säker-
hetsåtgärder för att skydda användaren, vilka är
grundade på en uppskattning av graden av exponering
för vibrationer under de faktiska användningsförhål-
landena, (ta, förutom avtryckartiden, med alla delar av
användarcykeln i beräkningen, som till exempel tiden
då maskinen är avstängd och när den går på tomgång).

Vibration

Det totala vibrationsvärdet (treaxlad vektorsumma)
bestämt enligt 62841-2-17:

Arbetsläge: rotation utan belastning

Vibrationsemission ($a_{h,r}$): 2,5 m/s² eller lägre

Måttolerans (K): 1,5 m/s²

OBS: Det deklarerade totala vibrationsvärdet har
uppmätts i enlighet med standardtestmetoden och kan
användas för jämförandet av en maskin med en annan.

OBS: Det deklarerade totala vibrationsvärdet kan
också användas i en preliminär bedömning av expo-
nering för vibration.

⚠ VARNING: Vibrationsemissionen under faktisk
användning av maskinen kan skilja sig från det dekla-
rerade värdet, beroende på hur maskinen används och
särskilt vilken typ av arbetsstycke som behandlas.

⚠ VARNING: Var noga med att identifiera säker-
hetsåtgärder för att skydda användaren, vilka är
grundade på en uppskattning av graden av exponering
för vibrationer under de faktiska användningsförhål-
landena, (ta, förutom avtryckartiden, med alla delar av
användarcykeln i beräkningen, som till exempel tiden
då maskinen är avstängd och när den går på tomgång).

EG-försäkran om överensstämmelse

Gäller endast inom EU

EG-försäkran om överensstämmelse inkluderas som
bilaga A till denna bruksanvisning.

SÄKERHETSVARNINGAR

Allmänna säkerhetsvarningar för maskiner

⚠ VARNING: Läs alla säkerhetsvarningar, anvis-
ningar, illustrationer och specifikationer som
medföljer det här maskinen. Underlåtenhet att följa
instruktionerna kan leda till elstötar, brand och/eller
allvarliga personskador.

Spara alla varningar och instruktioner för framtida referens.

Termen "maskin" som anges i varningarna hänvisar till
din eldrivna maskin (sladdansluten) eller batteridrivna
maskin (sladdlös).

Säkerhetsvarningar för kantfräs

1. Håll endast tag i verktygets isolerade handtag då hyvelverktyget kan komma i kontakt med sin egen nåtsladd. Om verktyget kommer i kontakt med en strömförande ledning blir dess metalldelar strömförande och kan ge operatören en elektrisk stöt.
2. Använd tvingar eller liknande för att säkra och stödja arbetsstycket på ett stabilt underlag. Att hålla arbetsstycket i händerna eller mot kroppen ger inte tillräckligt stöd och du kan förlora kontrollen.
3. Fråshuvudets skaft måste stämma med den angivna spännhylschucken.
4. Använd endast ett fråshuvud som är som minst lika med den maxhastighet som markeras på verktyget.
5. Använd hörselskydd vid längre tids användning.
6. Iaktta försiktighet vid hantering av fråshuvuden.
7. Kontrollera att fråshuvudet inte är sprucket eller skadat före användning. Byt omedelbart ut ett skadat eller sprucket fråshuvud.
8. Undvik att säga i spik. Kontrollera arbetsstycket och ta bort alla spikar före arbetet påbörjas.
9. Håll verktyget i ett fast grepp.
10. Håll händerna på behörigt avstånd från roterande delar.
11. Se till att fråshuvudet inte kommer i kontakt med arbetsstycket innan strömbrytaren slagits på.
12. Låt verktyget vara igång en stund innan det används på arbetsstycket. Kontrollera att det inte förekommer vibrationer eller kast som indikerar att fråshuvudet monterats felaktigt.
13. Kontrollera fråshuvudets rotations- och matningsriktning.
14. Lämna inte verktyget igång. Använd endast verktyget när du håller det i händerna.
15. Stäng alltid av verktyget och vänta tills fråshuvudet har stannat helt innan du avlägsnar verktyget från arbetsstycket.
16. Rör inte vid fråshuvudet omedelbart efter avslutat arbete. Det kan vara extremt varmt och orsaka brännskador.
17. Smörj inte bottenplattan vårdslöst med för-tunningsmedel, bensin, olja eller liknande. Det kan orsaka sprickor i bottenplattan.
18. Vissa material kan innehålla giftiga kemikalier. Se till att du inte andas in dammet från kemikalier eller får något på huden. Följ anvisningarna i leverantörens materialsäkerhetsblad.
19. Använd alltid dammask eller andningsrespirator som är anpassad efter det material du arbetar med och de förhållanden du arbetar under.
20. Placera verktyget på en stabil yta. I annat fall kan fallolyckor inträffa och orsaka skada.

SPARA DESSA ANVISNINGAR.

⚠ VARNING: GLÖM INTE att också fortsättningsvis strikt följa säkerhetsanvisningarna för maskinen även efter att du blivit van att använda den. Vid FELAKTIG HANTERING av maskinen eller om inte säkerhetsanvisningarna i denna bruksanvisning följs kan följden bli allvarliga personskador.

FUNKTIONSBESKRIVNING

⚠ FÖRSIKTIGT: Se alltid till att maskinen är avstängd och nåtsladden urdragen innan du justerar eller funktionskontrollerar maskinen.

Ställa in fråsdjupet

Justera fråsdjupet genom att lossa spännskraven och flytta bottenplattan uppåt eller nedåt till önskat läge. Dra åt spännskraven ordentligt för att fästa bottenplattan efter justeringen.

- Fig.1: 1. Bottenplatta 2. Skala 3. Fråsdjup
4. Spännskrav

Avtryckarens funktion

⚠ FÖRSIKTIGT: Se alltid till att verktyget är avstängt innan du ansluter det till elnätet.

För strömbrytaren till läget I för att starta verktyget. För strömbrytaren till läget O för att stanna verktyget.

- Fig.2: 1. Säkerhetsgrepp

Elektronisk funktion

Maskinen är utrustad med elektroniska funktioner för enkel användning.

Indikatorlampa

- Fig.3: 1. Indikatorlampa

Den gröna indikatorlampan lyser när verktyget är inkopplat. Om indikatorlampan inte tänds kan nåtsladden eller styrningen vara defekt. Om indikatorlampan lyser och verktyget inte startar fastän det är påslaget, kan kolborstarna vara utslitna, eller styrningen, motorn eller strömbrytaren defekta.

Spärr mot oavsiktlig omstart

Verktyget startar inte när avtryckaren är i läget I även om det är anslutet till elnätet.

Om detta inträffar blinkar indikatorlampan rött för att visa att enheten för skydd mot oavsiktlig start är i funktion.

Inaktivera skyddet mot oavsiktlig start genom att återställa skjutreglaget till läget O.

Mjukstartsfunktion

Mjukstartsfunktionen minimerar ryck vid uppstarten och gör att verktyget får en mjuk start.

MONTERING

⚠ FÖRSIKTIGT: Se alltid till att maskinen är avstängd och nätsladden urdragen innan maskinen repareras.

Montera eller demontera fråshuvud

⚠ FÖRSIKTIGT: Dra inte spännhylsmuttern åt utan att det sitter ett fråshuvud, annars förstörs spännhylsan.

⚠ FÖRSIKTIGT: Använd endast de nycklar som levererats med verktyget.

Sätt i fråshuvudet i spännhylsan så långt det går och dra åt hylsmuttern med de två nycklarna. Följ monteringsförfarandet i omvänd ordning för att ta ur fråshuvudet.

► **Fig.4:** 1. Lossa 2. Dra åt 3. Håll

ANVÄNDNING

⚠ FÖRSIKTIGT: Håll alltid verktyget stadigt med en hand på verktygshuset. Rör inte vid metalldelen.

1. Placera bottenplattan på arbetsstycket utan att fråshuvudet kommer i kontakt med arbetsstycket.
 2. Starta verktyget och vänta tills fråshuvudet uppnått full hastighet.
 3. För sedan verktyget varsamt framåt över arbetsstyckets yta med bottenplattan plan mot arbetsstycket tills fråsningen är klar.
- **Fig.5**

Vid kantfräsning ska arbetsstyckets yta befinna sig på vänster sida av fråshuvudet i matningsriktningen.

- **Fig.6:** 1. Arbetsstycke 2. Fråshuvudets rotationsriktning 3. Vy från toppen av verktyget 4. Matningsriktning

När parallellanslaget eller fråsanslaget används bör du se till att hålla det på höger sida i matningsriktningen. Det blir då lättare att hålla anslaget plant mot arbetsstyckets sida.

- **Fig.7:** 1. Matningsriktning 2. Fråshuvudets rotationsriktning 3. Arbetsstycke 4. Parallellanslag

OBS: Om verktyget förs framåt allför snabbt kan den frästa ytan få en dålig finish, eller så kan fråshuvudet eller motorn skadas. Om verktyget förs framåt alltför långsamt kan arbetsstycket bli bränt och ytan skadas. Lämplig matningshastighet beror på fråshuvudets dimension, typ av arbetsmaterial och fräsdjup. Det är lämpligt att utföra en provfräsning på en träbit innan fråsningen på det faktiska arbetsstycket påbörjas. Därmed kan man exakt se hur resultatet av fråsningen kommer att se ut och även kontrollera dimensionerna.

Mallanslag

Mallanslaget fungerar som en hylsa genom vilken fråshuvudet passerar så att fräsen kan användas med mallar.

► **Fig.8**

1. Lossa spännskruven och ta därefter bort anslagshållaren och spånavvisaren.

► **Fig.9:** 1. Spännskruv 2. Anslagshållare 3. Spånavvisare

2. Lossa skruvarna och ta bort bottenplattans skydd.

► **Fig.10:** 1. Bottenplattans skydd 2. Skruvar

3. Placera mallanslaget på bottenplattan och sätt tillbaka skyddet igen. Fäst sedan bottenplattans skydd genom att dra åt skruvarna.

4. Fäst mallen mot arbetsstycket. Placera verktyget på mallen och för verktyget med mallanslaget glidande utefter mallens sida.

► **Fig.11:** 1. Fråshuvud 2. Bottenplatta 3. Bottenplattans skydd 4. Mall 5. Arbetsstycke 6. Mallanslag

OBS: Arbetsstycket kommer att fräsas med en liten skillnad i storlek i jämförelse med mallen. Räkna med ett avstånd (X) mellan fråshuvudet och mallanslagets utsida. Avståndet (X) kan beräknas genom att använda följande ekvation:

Avstånd (X) = (mallanslagets ytterdiameter - fråshuvudets diameter)/2

Parallellanslag

Parallellanslaget är effektivt att använda för raka arbetslinjer vid avfasning.

► **Fig.12**

1. Fäst anhållet på parallellanslaget med bulten och vingmuttern.

► **Fig.13:** 1. Bult 2. Anhåll 3. Parallellanslag 4. Vingmutter

2. Ta bort anslagshållaren och spånavvisaren och fäst sedan parallellanslaget med spännskruven.

► **Fig.14:** 1. Spännskruv 2. Parallellanslag 3. Vingmutter 4. Bottenplatta

3. Lossa vingmuttern på parallellanslaget och justera avståndet mellan fråshuvudet och parallellanslaget. Fäst vingmuttern ordentligt vid önskat avstånd.

4. För verktyget med parallellanslaget plant mot arbetsstyckets sida under fråsningen.

Kantanslag

Kantfräsning av böjda ytor i fanér för möbler och liknande kan lätt göras med fråsanslaget. Rullanslaget följer den böjda kanten och garanterar ett fint frässpår.

► **Fig.15**

1. Sätt fast spånavvisaren på spåret på bottenplattan.
2. Montera fråsanslaget och anslagshållaren på bottenplattan med spännskruven (A).

3. Lossa spännskruven (B) och justera avståndet mellan fråshuvudet och fråsanslaget genom att vrida på justeringskruven (1 mm per varv). Vid önskat avstånd drar du åt spännskruven (B) för att säkra fråsanslaget på plats.

- **Fig.16:** 1. Inställningsskruv 2. Anslagshållare
3. Kantanslag 4. Spånåvisare

4. För verktyget med rullanslaget löpande mot arbetsstyckets sida under fråsningen.

- **Fig.17:** 1. Arbetsstycke 2. Fråshuvud 3. Rullanslag

UNDERHÅLL

⚠ FÖRSIKTIGT: Se alltid till att maskinen är avstängd och nätkabeln urdragen innan inspektion eller underhåll utförs.

OBSERVERA: Använd inte bensin, förtunningsmedel, alkohol eller liknande. Missfärgning, deformation eller sprickor kan uppstå.

För att upprätthålla produktens SÄKERHET och TILLFÖRLITLIGHET bör allt underhålls- och justeringsarbete utföras av ett auktoriserat Makita servicecenter och med reservdelar från Makita.

Byte av kolborstar

- **Fig.18:** 1. Slitagemarkering

Kontrollera kolborstarna regelbundet.

Byt ut dem när de är nedslitna till slitagemarkeringen.

Håll kolborstarna rena så att de lätt kan glida in i hållarna. Båda kolborstarna ska bytas ut samtidigt. Använd endast identiska kolborstar.

1. Använd en skruvmejsel för att ta bort locken till kolborstarna.

2. Ta ur de utslitna kolborstarna, montera nya och montera locken.

- **Fig.19:** 1. Borsthållarlock

VALFRIA TILLBEHÖR

⚠ FÖRSIKTIGT: Följande tillbehör eller tillsatser rekommenderas för användning med den Makita-maskin som denna bruksanvisning avser.

Om andra tillbehör eller tillsatser används kan det uppstå risk för personskador. Använd endast tillbehören eller tillsatserna för de syften de är avsedda för.

Kontakta ditt lokala Makita servicecenter om du behöver ytterligare information om dessa tillbehör.

OBS: Några av tillbehören i listan kan vara inkluderade i maskinpaketet som standardtillbehör. De kan variera mellan olika länder.

Fråshuvuden

Notfräs

► Fig.20

| D | A | L1 | L2 |
|---------|----|----|----|
| 6 | 20 | 50 | 15 |
| 1/4 tum | | | |
| 6 | 8 | 50 | 18 |
| 1/4 tum | | | |
| 6 | 6 | 50 | 18 |
| 1/4 tum | | | |

Mätenhet: mm

U-notfräs

► Fig.21

| D | A | L1 | L2 | R |
|---------|---|----|----|---|
| 6 | 6 | 60 | 28 | 3 |
| 1/4 tum | | | | |

Mätenhet: mm

V-notfräs

► Fig.22

| D | A | L1 | L2 | θ |
|---------|----|----|----|-----|
| 1/4 tum | 20 | 50 | 15 | 90° |

Mätenhet: mm

Kantfräs med styrlager

► Fig.23

| D | A | L1 | L2 | L3 |
|---------|---|----|----|----|
| 6 | 6 | 60 | 18 | 28 |
| 1/4 tum | | | | |

Mätenhet: mm

Kantfräs med dubbelt styrlager

► Fig.24

| D | A | L1 | L2 | L3 | L4 |
|---------|---|----|----|----|----|
| 6 | 6 | 70 | 40 | 12 | 14 |
| 1/4 tum | | | | | |

Mätenhet: mm

Avrundningsfräs

► Fig.25

| D | A1 | A2 | L1 | L2 | L3 | R |
|---------|----|----|----|----|----|---|
| 6 | 25 | 9 | 48 | 13 | 5 | 8 |
| 1/4 tum | | | | | | |
| 6 | 20 | 8 | 45 | 10 | 4 | 4 |
| 1/4 tum | | | | | | |

Mätenhet: mm

Fasfräs**► Fig.26**

| D | A | L1 | L2 | L3 | θ |
|---|----|----|----|----|-----|
| 6 | 23 | 46 | 11 | 6 | 30° |
| 6 | 20 | 50 | 13 | 5 | 45° |
| 6 | 20 | 49 | 14 | 2 | 60° |

Mätenhet: mm

Hålkärnsfräs**► Fig.27**

| D | A | L1 | L2 | R |
|---|----|----|----|---|
| 6 | 20 | 43 | 8 | 4 |
| 6 | 25 | 48 | 13 | 8 |

Mätenhet: mm

Kullagrad kantfräs**► Fig.28**

| D | A | L1 | L2 |
|---------|----|----|----|
| 6 | 10 | 50 | 20 |
| 1/4 tum | | | |

Mätenhet: mm

Kullagrad avrundningsfräs**► Fig.29**

| D | A1 | A2 | L1 | L2 | L3 | R |
|---------|----|----|----|----|-----|---|
| 6 | 15 | 8 | 37 | 7 | 3,5 | 3 |
| 6 | 21 | 8 | 40 | 10 | 3,5 | 6 |
| 1/4 tum | 21 | 8 | 40 | 10 | 3,5 | 6 |

Mätenhet: mm

Kullagrad fasfräs**► Fig.30**

| D | A1 | A2 | L1 | L2 | θ |
|---------|----|----|----|----|-----|
| 6 | 26 | 8 | 42 | 12 | 45° |
| 1/4 tum | | | | | |
| 6 | 20 | 8 | 41 | 11 | 60° |

Mätenhet: mm

Kullagrad spegelprofilfräs**► Fig.31**

| D | A1 | A2 | A3 | L1 | L2 | L3 | R |
|---|----|----|----|----|----|-----|---|
| 6 | 20 | 12 | 8 | 40 | 10 | 5,5 | 4 |
| 6 | 26 | 12 | 8 | 42 | 12 | 4,5 | 7 |

Mätenhet: mm

Kullagrad hålkärnsfräs**► Fig.32**

| D | A1 | A2 | A3 | A4 | L1 | L2 | L3 | R |
|---|----|----|----|----|----|----|-----|---|
| 6 | 20 | 18 | 12 | 8 | 40 | 10 | 5,5 | 3 |
| 6 | 26 | 22 | 12 | 8 | 42 | 12 | 5 | 5 |

Mätenhet: mm

Kullagrad profilfräs**► Fig.33**

| D | A1 | A2 | L1 | L2 | L3 | R1 | R2 |
|---|----|----|----|----|-----|-----|-----|
| 6 | 20 | 8 | 40 | 10 | 4,5 | 2,5 | 4,5 |
| 6 | 26 | 8 | 42 | 12 | 4,5 | 3 | 6 |

Mätenhet: mm

TEKNISKE DATA

| | |
|---------------------------|-----------------------------|
| Modell: | M3702 |
| Flenspatronkapasitet | 6,35 mm (1/4") eller 6,0 mm |
| Hastighet uten belastning | 35 000 min ⁻¹ |
| Total høyde | 211 mm |
| Nettvekt | 1,5 kg |
| Sikkerhetsklasse | □/II |

- På grunn av vårt kontinuerlige forsknings- og utviklingsprogram kan spesifikasjonene som oppgis i dette dokumentet endres uten varsel.
- Spesifikasjonene kan variere fra land til land.
- Vekt i henhold til EPTA-prosedyre 01/2014

Riktig bruk

Dette verktøyet er beregnet på tilpasning av kanten på laminatplater eller tilsvarende materialer.

Strømforsyning

Maskinen må bare kobles til en strømkilde med samme spenning som vist på typeskiltet, og kan bare brukes med enfase-vekselstrømforsyning. Den er dobbelt verneisoleret og kan derfor også brukes fra kontakter uten jording.

Støy

Typisk A-vektet lydtryknivå er bestemt i henhold til 62841-2-17: Lydtryknivå (L_{pA}): 83 dB (A)
Lydeffektnivå (L_{WA}): 94 dB (A)
Usikkerhet (K): 3 dB (A)

MERK: Den/de oppgitte verdi(e) for genererte vibrasjoner har blitt målt i henhold til standard testmetoder, og kan bli brukt til å sammenligne ett verktøy med et annet.

MERK: Den/de angitte verdi(e) for de genererte vibrasjonene kan også brukes til en foreløpig vurdering av eksponeringen.

⚠ ADVARSEL: Bruk hørselsvern.

⚠ ADVARSEL: De genererte vibrasjonene ved faktisk bruk av elektroverktøyet kan avvike fra den/de angitte vibrasjonsverdien(e), avhengig av hvordan verktøyet brukes.

⚠ ADVARSEL: Sørg for å identifisere vernetiltak for å beskytte operatøren, som er basert på et estimat av eksponeringen under de faktiske bruksforholdene (idet det tas hensyn til alle deler av driftssyklusen, dvs. hvor lenge verktøyet er slått av, hvor lenge det går på tomgang og hvor lenge startbryteren faktisk holdes trykket).

Vibrasjoner

Den totale vibrasjonsverdien (triaksial vektorsum) bestemt i henhold 62841-2-17:

Arbeidsmodus: Rotasjon uten belastning

Genererte vibrasjoner (a_h): 2,5 m/s² eller mindre

Usikkerhet (K): 1,5 m/s²

MERK: Den/de oppgitte verdi(e) for totalt genererte vibrasjoner har blitt målt i henhold til standard testmetoder, og kan bli brukt til å sammenligne ett verktøy med et annet.

MERK: Den/de angitte verdi(e) for totalt genererte vibrasjoner kan også brukes til en foreløpig vurdering av eksponeringen.

⚠ ADVARSEL: De genererte vibrasjonene ved faktisk bruk av elektroverktøyet kan avvike fra den/de angitte vibrasjonsverdien(e), avhengig av hvordan verktøyet brukes og spesielt i forhold til arbeidsstrykket som blir behandlet.

⚠ ADVARSEL: Sørg for å identifisere vernetiltak for å beskytte operatøren, som er basert på et estimat av eksponeringen under de faktiske bruksforholdene (idet det tas hensyn til alle deler av driftssyklusen, dvs. hvor lenge verktøyet er slått av, hvor lenge det går på tomgang og hvor lenge startbryteren faktisk holdes trykket).

EFs samsvarserklæring

Gjelder kun for land i Europa

EFs samsvarserklæring er lagt til som vedlegg A i denne bruksanvisningen.

SIKKERHETSADVARSEL

Generelle advarsler angående sikkerhet for elektroverktøy

⚠ ADVARSEL: Les alle sikkerhetsadvarsler, instruksjoner, illustrasjoner og spesifikasjoner som følger med dette elektroverktøyet. Hvis ikke alle instruksjonene nedenfor følges, kan det forekomme elektrisk støt, brann og/eller alvorlig skade.

Oppbevar alle advarsler og instruksjoner for senere bruk.

Uttrykket «elektrisk verktøy» i advarslene refererer både til elektriske verktøy (med ledning) tilkoblet strømmettet, og batteridrevne verktøy (uten ledning).

Sikkerhetsadvarsel for tilskjæringsmaskin

1. Hold verktøyet kun i det isolerte håndtaket, da skjærebladet kan komme i kontakt med sin egen ledning under arbeidet. Hvis en strømførende ledning kuttet, vil uisolerte metalldele av elektroverktøyet bli strømførende, og kan gi brukeren elektrisk støt.
2. Bruk tvinger eller en annen praktisk måte for å sikre og støtte arbeidsstykket på en stabil plattform. Hvis du holder det med hånden eller mot kroppen, kan det være ustabil og føre til at du mister kontrollen.
3. Tilskjæringsbitset må passe til den tilhørende flenspatronen.
4. Bruk kun et tilskjæringsbits som er merket for minst den samme maksimale hastigheten som er merket på verktøyet.
5. Bruk hørselsvern ved lengre arbeidsøker.
6. Tilskjæringsbitset skal håndteres meget forsiktig.
7. Sjekk at det ikke finnes sprekker eller andre skader på tilskjæringsbitset, før du tar det i bruk. Skift ut sprukne eller ødelagte bits omgående.
8. Unngå å skjære i spiker. Se etter og fjern alle spikere fra arbeidsstykket, før arbeidet påbegynnes.
9. Hold godt fast i verktøyet.
10. Hold hendene unna roterende deler.
11. Forvisse deg om at tilskjæringsbitset ikke er i kontakt med arbeidsstykket før startbryteren er slått på.
12. La maskinen gå en liten stund, før du begynner å bruke den på et arbeidsstykke. Se etter vibrasjoner eller vingling som kan tyde på at bitset ikke er korrekt montert.
13. Vær nøye med tilskjæringsbitsets dreieretning og arbeidsretning.
14. Ikke gå fra verktøyet mens det er i gang. Verktøyet må bare brukes mens operatøren holder det i hendene.
15. Før du fjerner verktøyet fra arbeidsstykket, må du alltid slå av maskinen og vente til tilskjæringsbitset har stoppet helt.
16. Ikke rør tilskjæringsbitset umiddelbart etter bruk. Det kan være ekstremt varmt og kan gi brannskader.
17. Ikke søl tynner, bensin, olje eller lignende på foten. Disse stoffene kan forårsake sprekker i foten.
18. Enkelte materialer inneholder kjemikalier som kan være giftige. Vis varsomhet for å hindre hudkontakt og innånding av støv. Følg leverandørens sikkerhetsanvisninger.
19. Bruk alltid riktig støvmaske/pustemaske for materialet og bruksområdet du arbeider med.
20. Plasser verktøyet på et stabilt sted. Ellers kan det oppstå en fallulykke som forårsaker personskader.

TA VARE PÅ DISSE INSTRUKSENE.

⚠ ADVARSEL: IKKE LA hensynet til hva som er "behagelig" eller det faktum at du kjenner produktet godt (etter mange gangers bruk) gjøre deg mindre oppmerksom på sikkerhetsreglene for bruken av det aktuelle produktet. Ved MISBRUK eller hvis ikke sikkerhetsreglene i denne bruksanvisningen følges, kan det oppstå alvorlig personskade.

FUNKSJONSBEKRIVELSE

⚠ FORSIKTIG: Forvisse deg alltid om at maskinen er slått av og støpselet trukket ut av kontakten før du justerer eller kontrollerer de mekaniske funksjonene.

Juster tilskjæringsbitsfremspringet

For å justere bitsfremspring som stikker ut løsner du klemmeskruen og flytter foten opp eller ned etter ønske. Når du er ferdig med å justere, strammer klemmeskruen godt for å feste foten.

- Fig.1: 1. Ramme 2. Skala 3. Bitsfremspringet
4. Klemmeskrue

Bryterfunksjon

⚠ FORSIKTIG: Før du setter støpselet inn i kontakten, må du alltid forvisse deg om at verktøyet er slått av.

For å starte verktøyet må du skyve av/på-bryteren til I-posisjon. For å stoppe maskinen må du skyve av/på-bryteren til O-posisjon.

- Fig.2: 1. Startspaken

Elektronisk funksjon

Maskinen er utstyrt med de elektroniske funksjonen for å gjøre den enkel å bruke.

Indikatorlampe

- Fig.3: 1. Indikatorlampe

Indikatorlampen lyser grønt når verktøyet er koblet til. Hvis indikatorlampen ikke tennes, kan det være en feil på strømledningen eller kontrolleren. Hvis indikatorlampen tennes, men verktøyet ikke starter selv om det er slått på, kan kullbørstene være slitt, eller det kan være en feil på kontrolleren, motoren eller på/av-bryteren.

Sikker mot utilsiktet omstart

Verktøyet starter ikke når bryterspaken er I-posisjon, selv når verktøyet er koblet til stikkkontakten. På dette tidspunktet blinker indikatorlampen rødt og viser at anordningen som skal hindre utilsiktet omstart, er i funksjon.

For å avbryte denne sikkerhetsanordningen, skyver du bryterspaken tilbake til O-posisjon.

Mykstartfunksjon

Mykstartfunksjonen reduserer oppstartssjokket til et minimum, og gjør at verktøyet starter mykt.

MONTERING

⚠️ FORSIKTIG: Forviss deg alltid om at maskinen er slått av og støpselet trukket ut av kontakten før du utfører noe arbeid på maskinen.

Montere eller demontere tilskjæringsbits

⚠️ FORSIKTIG: Ikke stram kjoksmutterne uten å sette inn et tilskjæringsbits, ellers vil patronkonusen ødelegges.

⚠️ FORSIKTIG: Bruk bare de skrunøklene som fulgte med verktøyet.

Sett tilskjæringsbitset helt inn i patronkonusen og stram kjoksmutteren godt med de to skrunøkene. Ta ut bitset ved å følge monteringsprosedyren i motsatt rekkefølge.

► **Fig.4:** 1. Løsne 2. Stramme 3. Holde

BRUK

⚠️ FORSIKTIG: Ha alltid én hånd på selve verktøykabinettet, for å holde verktøyet godt på plass. Ikke ta i metalldelen.

1. Sett foten på arbeidsemnet som skal skjæres, uten at tilskjæringsbitset kommer borti arbeidsemnet.
 2. Slå på maskinen og vent til tilskjæringsbitset oppnår full hastighet.
 3. Skyv verktøyet fremover over overflaten på arbeidsemnet mens du holder foten i flukt, og beveg det jevnt fremover til skjæringen er fullført.
- **Fig.5**

Ved kantfresing må overflaten på arbeidsemnet være på venstre side av tilskjæringsbitset i arbeidsretningen.

- **Fig.6:** 1. Arbeidsemne 2. Bitsets dreieretning
3. Visning fra oversiden av verktøyet
4. Arbeidsretning

Når du bruker føringssskinnen eller skjæreføringen, må du passe på å holde den på høyre side i materetningen. Dette vil hjelpe deg å holde den i flukt med siden på arbeidsemnet.

- **Fig.7:** 1. Arbeidsretning 2. Bitsets dreieretning
3. Arbeidsemne 4. Rett føring

MERK: Beveger du verktøyet forover for raskt, kan det resultere i dårlig skjærekvalitet eller skader på tilskjæringsbitset eller i motoren. Hvis verktøyet bevegtes for sakte, kan du brenne eller skade kuttet. Riktig hastighet avhenger av størrelsen på bitset, typen arbeidsemne og fresedybden. Før du starter skjæringen i det aktuelle arbeidsemnet, råder vi deg til å foreta en prøveskjæring på et stykke kapp. Dette vil vise nøyaktig hvordan kuttet kommer til å se ut og gjør det mulig for deg å sjekke målene.

Templetføring

Malføringen har en hylse som tilskjæringsbitset går igjennom. Dette gjør det mulig å bruke tilskjæringsmaskinen med malmønster.

► **Fig.8**

1. Løsne klemskruen og ta deretter av føringsholderen og spondefektoren.
► **Fig.9:** 1. Klemmeskrue 2. Føringsholder 3. Spondeflektor
2. Løsne skruene og ta av fotbeskyttelsen.
► **Fig.10:** 1. Fotbeskyttelse 2. Skruer
3. Plasser malføringen på foten, og plasser fotbeskyttelsen på nytt. Sikre fotbeskyttelsen ved å stramme skruene.
4. Fest malen på arbeidsemnet. Plasser verktøyet på malen og skyv verktøyet med malføringen langs siden på malen.
► **Fig.11:** 1. Tilskjæringsbits 2. Ramme 3. Fotbeskyttelse 4. Templett 5. Arbeidsemne 6. Templetføring

MERK: Arbeidsemnet skjæres i litt forskjellig størrelse i forhold til templeten. Tillatt avstand på (X) mellom tilskjæringsmaskinen og utsiden av templetføringen. Avstanden (X) kan kalkuleres med følgende ligning:
Avstand (X) = (utvendig diameter på templetføringen - tilskjæringsbitsdiameter) / 2

Rett føring

Den rette føringen brukes for rette kutt ved skråfasing.

► **Fig.12**

1. Fest føringsplaten på den rette føringen med skruen og vingemutteren.
► **Fig.13:** 1. Bolt 2. Føringsplate 3. Rett føring 4. Vingemutter
2. Ta av føringsholderen og spondefektoren. Fest så rett-føringssskinnen med klemskruen.
► **Fig.14:** 1. Klemmeskrue 2. Rett føring 3. Vingemutter 4. Ramme
3. Løsne vingemutteren på den rette føringen og juster avstanden mellom tilskjæringsbitset og føringen. Stram vingemutteren godt i ønsket avstand.
4. Når du skjærer, må du bevege verktøyet med den rette føringen i flukt med siden på arbeidsemnet.

Skjæreføring

Pussing, bueskjæring i finer og lignende er lett med skjæreføringen. Føringsrullen holder kurven og sikrer et fint kutt.

► **Fig.15**

1. Fest spondefektoren på sporet på verktøyfoten.
2. Monter skjæreføringen og føringsholderen på foten med klemmeskruen (A).

3. Løsne klemskruen (B) og juster avstanden mellom tilskjæringsbitsen og tilskjæringsføringen ved å dreie på justeringskruen (1 mm per omdreining). Når avstanden er slik du vil ha den, må du stramme klemskruen (B) for å feste skjæreføring på riktig sted.

- Fig.16: 1. Justeringskruer 2. Føringsholder
3. Skjæreføring 4. Spondeflektor

4. Når du skjærer, må du bevege verktøyet med føringsrullen langs siden på arbeidsemnet.

- Fig.17: 1. Arbeidsemne 2. Tilskjæringsbits
3. Føringsrull

VEDLIKEHOLD

⚠FORSIKTIG: Forviss deg alltid om at maskinen er slått av og støpselet trukket ut av kontakten før du foretar inspeksjon eller vedlikehold.

OBS: Aldri bruk gasolin, bensin, tynner alkohol eller lignende. Det kan føre til misfarging, deformering eller sprekkdannelse.

For å opprettholde produktets SIKKERHET og PÅLITELIGHET, må reparasjoner, vedlikehold og justeringer utføres av autoriserte Makita servicesentre eller fabrikk servicesentre, og det må alltid brukes reservedeler fra Makita.

Skifte kullbørster

- Fig.18: 1. utskiftingsmerke

Kontroller kullbørstene med jevne mellomrom. Bytt dem når de er slitt ned til utskiftingsmerket. Hold kullbørstene rene og fri til å bevege seg i holderne. Begge kullbørstene må skiftes samtidig. Bruk bare identiske kullbørster.

1. Bruk en skrutekrekke til å fjerne børsteholderhettene.
2. Ta ut de slitte kullbørstene, sett i nye, og fest børsteholderhettene.

- Fig.19: 1. Børsteholderhette

VALGFRITT TILBEHØR

⚠FORSIKTIG: Det anbefales at du bruker dette tilbehøret eller verktøyet sammen med den Makita-maskinen som er spesifisert i denne håndboken. Bruk av annet tilbehør eller verktøy kan forårsake personskader. Tilbehør og verktøy må kun brukes til det formålet det er beregnet på.

Ta kontakt med ditt lokale Makita-servicesenter hvis du trenger mer informasjon om dette tilbehøret.

MERK: Enkelte elementer i listen kan være inkludert som standardtilbehør i verktøypakken. Elementene kan variere fra land til land.

Tilskjæringsmaskinbits

Rette bits

► Fig.20

| D | A | L1 | L2 |
|------|----|----|----|
| 6 | 20 | 50 | 15 |
| 1/4" | | | |
| 6 | 8 | 50 | 18 |
| 1/4" | | | |
| 6 | 6 | 50 | 18 |
| 1/4" | | | |

Enhet:mm

U-sporbits

► Fig.21

| D | A | L1 | L2 | R |
|------|---|----|----|---|
| 6 | 6 | 60 | 28 | 3 |
| 1/4" | | | | |

Enhet:mm

V-sporbits

► Fig.22

| D | A | L1 | L2 | θ |
|------|----|----|----|-----|
| 1/4" | 20 | 50 | 15 | 90° |

Enhet:mm

Utjevningsskjærbits for borspiss

► Fig.23

| D | A | L1 | L2 | L3 |
|------|---|----|----|----|
| 6 | 6 | 60 | 18 | 28 |
| 1/4" | | | | |

Enhet:mm

Dobbelt utjevningsskjærbits for borspiss

► Fig.24

| D | A | L1 | L2 | L3 | L4 |
|------|---|----|----|----|----|
| 6 | 6 | 70 | 40 | 12 | 14 |
| 1/4" | | | | | |

Enhet:mm

Hjørnefresbits

► Fig.25

| D | A1 | A2 | L1 | L2 | L3 | R |
|------|----|----|----|----|----|---|
| 6 | 25 | 9 | 48 | 13 | 5 | 8 |
| 1/4" | | | | | | |
| 6 | 20 | 8 | 45 | 10 | 4 | 4 |
| 1/4" | | | | | | |

Enhet:mm

Skråfasebits**► Fig.26**

| D | A | L1 | L2 | L3 | θ |
|---|----|----|----|----|-----|
| 6 | 23 | 46 | 11 | 6 | 30° |
| 6 | 20 | 50 | 13 | 5 | 45° |
| 6 | 20 | 49 | 14 | 2 | 60° |

Enhet:mm

Rund pregingsbits**► Fig.27**

| D | A | L1 | L2 | R |
|---|----|----|----|---|
| 6 | 20 | 43 | 8 | 4 |
| 6 | 25 | 48 | 13 | 8 |

Enhet:mm

Utjevningsskjærbits for kulelager**► Fig.28**

| D | A | L1 | L2 |
|------|----|----|----|
| 6 | 10 | 50 | 20 |
| 1/4" | | | |

Enhet:mm

Hjørnefresbits for kulelager**► Fig.29**

| D | A1 | A2 | L1 | L2 | L3 | R |
|------|----|----|----|----|-----|---|
| 6 | 15 | 8 | 37 | 7 | 3,5 | 3 |
| 6 | 21 | 8 | 40 | 10 | 3,5 | 6 |
| 1/4" | 21 | 8 | 40 | 10 | 3,5 | 6 |

Enhet:mm

Skråfasebits for kulelager**► Fig.30**

| D | A1 | A2 | L1 | L2 | θ |
|------|----|----|----|----|-----|
| 6 | 26 | 8 | 42 | 12 | 45° |
| 1/4" | | | | | |
| 6 | 20 | 8 | 41 | 11 | 60° |

Enhet:mm

Pregingsbits for kulelager**► Fig.31**

| D | A1 | A2 | A3 | L1 | L2 | L3 | R |
|---|----|----|----|----|----|-----|---|
| 6 | 20 | 12 | 8 | 40 | 10 | 5,5 | 4 |
| 6 | 26 | 12 | 8 | 42 | 12 | 4,5 | 7 |

Enhet:mm

Rundt pregingsbits for kulelager**► Fig.32**

| D | A1 | A2 | A3 | A4 | L1 | L2 | L3 | R |
|---|----|----|----|----|----|----|-----|---|
| 6 | 20 | 18 | 12 | 8 | 40 | 10 | 5,5 | 3 |
| 6 | 26 | 22 | 12 | 8 | 42 | 12 | 5 | 5 |

Enhet:mm

Romersk karniss-bits for kulelager**► Fig.33**

| D | A1 | A2 | L1 | L2 | L3 | R1 | R2 |
|---|----|----|----|----|-----|-----|-----|
| 6 | 20 | 8 | 40 | 10 | 4,5 | 2,5 | 4,5 |
| 6 | 26 | 8 | 42 | 12 | 4,5 | 3 | 6 |

Enhet:mm

TEKNISET TIEDOT

| | |
|------------------------------|---------------------------|
| Malli: | M3702 |
| Kiristysistukan kapasiteetti | 6,35 mm (1/4") tai 6,0 mm |
| Kuormittamaton kierrosnopeus | 35 000 min ⁻¹ |
| Koko korkeus | 211 mm |
| Nettopaino | 1,5 kg |
| Suojausluokka | □/II |

- Jatkuvasta tutkimus- ja kehitystyöstämme johtuen esitetyt tekniset tiedot saattavat muuttua ilman erillistä ilmoitusta.
- Tekniset tiedot voivat vaihdella maittain.
- Paino EPTA-menetelmän 01/2014 mukainen

Käyttötarkoitus

Työkalu on tarkoitettu laminoitujen levyjen tai vastaa- vien materiaalien reunojen viimeistelyyn.

Virtalähde

Koneen saa kytkeä vain sellaiseen virtalähteeseen, jonka jännite on sama kuin arvokilvessä ilmoitettu, ja sitä saa käyttää ainoastaan yksivaiheisella vaihtovirralla. Laite on kaksinkertaisesti suojaeristetty ja siksi se voidaan kytkeä myös maadoittamattomaan pistorasiaan.

Melutaso

Tyypillinen A-painotettu melutaso määräytyy standardin 62841-2-17 mukaan:

Äänenpainetaso (L_{pA}): 83 dB (A)

Äänen voiman taso (L_{WA}): 94 dB (A)

Virhemarginaali (K): 3 dB (A)

HUOMAA: Ilmoitetut melutasoarvot on mitattu standarditestausmenetelmän mukaisesti ja niiden avulla voidaan vertailla työkaluja keskenään.

HUOMAA: Ilmoitettuja melutasoarvoja voidaan käyttää myös altistumisen alustavaan arviointiin.

VAROITUS: Käytä kuulosuojaimia.

VAROITUS: Sähkötyökalun käytön aikana mitattu melutasoarvo voi poiketa ilmoitetuista arvoista laitteen käyttötavan ja erityisesti käsiteltävän työkappaleen mukaan.

VAROITUS: Selvitä käyttäjän suojaamiseksi tarvittavat varoimet todellisissa käyttöolosuhteissa tapahtuvan arvioidun altistumisen mukaisesti (ottaen huomioon käyttöjakso kokonaisuudessaan, myös jaksot, joiden aikana laite on sammutettuna tai käy tyhjäkäynnillä).

Tärinä

Kokonaistärinä (kolmen akselin vektorien summa)

määrätty standardin 62841-2-17 mukaan:

Työtila: pyöriminen ilman kuormaa

Tärinäpäästö (a_{h1}): 2,5 m/s² tai alaisempi

Virhemarginaali (K): 1,5 m/s²

HUOMAA: Ilmoitetut kokonaistärinäarvot on mitattu standarditestausmenetelmän mukaisesti ja niiden avulla voidaan vertailla työkaluja keskenään.

HUOMAA: Ilmoitettuja kokonaistärinäarvoja voidaan käyttää myös altistumisen alustavaan arviointiin.

VAROITUS: Sähkötyökalun käytön aikana mitattu todellinen tärinäpäästöarvo voi poiketa ilmoitetuista arvoista laitteen käyttötavan ja erityisesti käsiteltävän työkappaleen mukaan.

VAROITUS: Selvitä käyttäjän suojaamiseksi tarvittavat varoimet todellisissa käyttöolosuhteissa tapahtuvan arvioidun altistumisen mukaisesti (ottaen huomioon käyttöjakso kokonaisuudessaan, myös jaksot, joiden aikana laite on sammutettuna tai käy tyhjäkäynnillä).

EY-vaatimustenmukaisuusvakuutus

Koskee vain Euroopan maita

EY-vaatimustenmukaisuusvakuutus on liitetty tähän käyttöoppaaseen.

TURVAVAROITUKSET

Sähkötyökalujen käyttöä koskevat yleiset varoitukset

VAROITUS: Tutustu kaikkiin tämän sähkötyökalun mukana toimitettuihin varoituksiin, ohjeisiin, kuviin ja teknisiin tietoihin. Seuraavassa lueteltujen ohjeiden noudattamatta jättäminen saattaa johtaa sähköiskuun, tulipaloon tai vakavaan vammautumiseen.

Säilytä varoitukset ja ohjeet tulevaa käyttöä varten.

Varoituksissa käytettävällä termillä "sähkötyökalu" tarkoitetaan joko verkkovirtaa käyttävää (johdollista) työkalua tai akkukäyttöistä (johdotonta) työkalua.

1. Pitele sähkötyökalu vain sen eristetyistä tartuntapainoista, sillä leikkuri saattaa osua laitteeseen omaan virtajohtoon. Jos osut jännitteeseen johtoon, jännite voi siirtyä sähkötyökalun sähköä johtaviin metalliosiin ja aiheuttaa käyttäjälle sähköiskun.
2. Kiinnitä ja tue työkappale tukevalle alustalle puristimilla tai muulla käytännöllisellä tavalla. Työkappaleen piteleminen käsin tai vartaloa vasten ei tue työkappaletta riittävästi ja voi johtaa hallinnan menetykseen.
3. Jyrsinkärjen karan on oltava käytetyn kiristys-holkin mukainen.
4. Käytä vain jyrsinkärkeä, jonka nimellisa nopeus on vähintään yhtä suuri kuin työkaluun merkitty enimmäisnopeus.
5. Käytä kuulosuojaimia, jos käytät laitetta pitkään yhtäjaksoisesti.
6. Käsittele jyrsinteriä hyvin huolellisesti.
7. Tarkasta, ettei jyrsinkärjessä ole halkeamia tai vikoja, ennen kuin aloitat työskentelyn. Vaihda halkeileva tai muuten vahingoittunut kärki heti uuteen.
8. Vältä naulojen sahaamista. Tarkasta työkappale ja poista kaikki naulat ennen työstöä.
9. Ota koneesta luja ote.
10. Pidä kädet loitolla pyörivistä osista.
11. Varmista, ettei jyrsinkärki kosketa työkappaletta, ennen kuin kytkin käännetään päälle.
12. Anna koneen käydä jonkin aikaa, ennen kuin alat työstää työkappaletta. Jos jyrsinkärki pyörii epätasaisesti tai tärisee, se voi olla väärin asennettu.
13. Ole huolellinen jyrsinkärjen pyörimissuunnan ja syötteen suunnan suhteen.
14. Älä jätä työkalua käymään itselleen. Käytä työkalua vain silloin, kun pidät sitä kädessä.
15. Sammuta aina laite ja odota, kunnes jyrsinkärki on täysin pysähtynyt ennen työkalun poistamista työkappaleesta.
16. Älä kosketa jyrsintä välittömästi käytön jälkeen, sillä se saattaa olla erittäin kuuma ja polttaa ihoasi.
17. Älä tahraa pohjaa huolimattomasti tinnerillä, bensiinillä, öljyllä tai vastaavalla. Ne voivat aiheuttaa halkeamia pohjaan.
18. Jotkin materiaalit sisältävät kemikaaleja, jotka voivat olla myrkyllisiä. Huolehdi, että pölyn sisäänhengittämistä ja ihokosketusta vältetään. Noudata materiaalin toimittajan turvaohjeita.
19. Käytä aina työstettävän materiaalin ja käyttö-tarkoituksen mukaan valittua pölynaamaria/hengityssuojainta.
20. Aseta työkalu tasaiselle alustalle. Muutoin seurauksena voi olla putoamisesta johtuvia henkilövahingoja.

SÄILYTÄ NÄMÄ OHJEET.

VAROITUS: ÄLÄ anna työkalun helpokäyttöisyyden (toistuvan käytön aikaansaama) johtaa sinua väärään turvallisuuden tunteeseen niin, että laiminlyöt työkalun turvaohjeiden noudattamisen. VÄÄRINKÄYTTÖ tai tässä käyttöohjeessa ilmoitettujen turvamääräysten laiminlyönti voi aiheuttaa vakavia henkilövahinkoja.

TOIMINTOJEN KUVAUS

⚠HUOMIO: Varmista aina ennen koneen säätöjen ja toiminnallisten tarkistusten tekemistä, että kone on sammutettu ja irrotettu pistorasiasta.

Jyrsinkärjen ulkonema säätö

Säädä kärjen ulkonema löysäämällä ensin kiristysruuvia ja siirtämällä sitten pohjaa ylös tai alas. Kiinnitä pohja paikalleen säätämisen jälkeen kiristämällä kiristysruuvi tiukasti.

- **Kuva1:** 1. Alusta 2. Asteikko 3. Kärjen ulkonema 4. Kiristysruuvi

Kytkimen käyttäminen

⚠HUOMIO: Tarkasta aina, että työkalun virta-kytkin ei ole päällä, ennen kuin kytket työkalun verkkovirtaan.

Käynnistä työkalu siirtämällä kytkinvipu I-asentoon. Pysäytä työkalu siirtämällä kytkinvipu O-asentoon.

- **Kuva2:** 1. Kytkinvipu

Sähköinen toiminta

Laite on varustettu sähköisillä toiminnoilla helpokäyttöisyyttä ajatellen.

Merkkivalo

- **Kuva3:** 1. Merkkivalo

Vihreä merkkivalo syttyy, kun työkalu liitetään virransyöttöön. Jos merkkivalo ei syty, päävirtajohto tai ohjain saattaa olla vahingoittunut. Merkkivalo palaa, mutta työkalu ei käynnisty silloinkaan, kun työkalu käynnistetään, hiiliharjat saattavat olla kuluneet tai ohjain, moottori tai ON/OFF-kytkin saattaa olla vaurioitunut.

Tahaton uudelleenkäynnistyksen todiste

Työkalu ei käynnisty, jos kytkinvipu on asennossa I, vaikka työkalun virtajohto kytketään. Silloin merkkivalo vilkkuu punaisena ja osoittaa, että tahattoman uudelleenkäynnistyksen todistelaite on toiminnassa.

Jos haluat peruuttaa tahattoman uudelleenkäynnistyksen todisteen, työnnä kytkinvipu takaisin asentoon O.

Pehmeä käynnistys

Pehmeä käynnistys-ominaisuus minimoi käynnistysiskun ja näin työkalu käynnistyy tasaisesti.

KOKOONPANO

⚠ HUOMIO: Varmista aina ennen koneelle tehtäviä toimenpiteitä, että kone on sammutettu ja irrotettu pistorasiasta.

Jyrsinkärjen kiinnitys ja irrotus

⚠ HUOMIO: Älä kiristä kiristysistukan mutteria jyrsinkärkeä kiinnittämättä, tai kiristysholkki rikkoutuu.

⚠ HUOMIO: Käytä ainoastaan työkalun mukana toimitettuja kiintoavaimia.

Työnnä kärki kiristysholkin kartioon ja kierrä kiristysholkin mutteri tiukasti kiinni kahdella kiintoavaimella. Irrota kärki päinvastaisessa järjestyksessä.

► **Kuva4:** 1. Löysää 2. Kiristä 3. Pidä

TYÖSKENTELY

⚠ HUOMIO: Ota työkalusta aina tukeva ote toinen käsi rungossa. Älä koske metalliseen osaan.

1. Aseta pohja leikattavan työkappaleen päälle ilman, että jyrsinkärki koskettaa työkalupäätä.
 2. Käynnistä sitten työkalu ja odota, kunnes jyrsinkärki saavuttaa täyden nopeuden.
 3. Liikuta työkalua työkappaleen pinnalla tasaisesti eteenpäin pitäen pohjaa tasassa ja edeten tasaisesti, kunnes leikkaus on valmis.
- **Kuva5**

Kun leikkaat reunoja, työkappaleen pinnan tulisi olla jyrsinkärjen syöttösuuntaan nähden vasemmalla puolella.

► **Kuva6:** 1. Työkappale 2. Kärjen pyörimissuunta 3. Näkyvä työkalun päältä 4. Syöttösuunta

Varmista suoraohjainta tai jyrsinohjainta käyttäessäsi, että se on syöttösuunnassa oikealla puolella. Tämä auttaa pitämään sitä samassa tasossa työkappaleen sivun kanssa.

► **Kuva7:** 1. Syöttösuunta 2. Kärjen pyörimissuunta 3. Työkappale 4. Suoraohjain

HUOMAA: Työkalun liian nopea kuljettaminen eteenpäin voi aiheuttaa huonolaatuisen leikkauksen, tai vahingoittaa jyrsinkärkeä tai moottoria. Työkalun liian hidas liikuttaminen eteenpäin voi polttaa ja pilata leikkauksen. Sopiva syöttöaste riippuu kärjen koosta, työkappaleen tyyppistä ja leikkauksen syvyydestä. Ennen varsinaista työkappaleen työstämistä, on suositeltua tehdä koeleikkaus lankunpalaseen. Tämän avulla näet tarkalleen millä leikkaus näyttää ja voit myös tarkastaa mittasuhteet.

Mallilankun ohjain

Mallilankun ohjain tarjoaa holkin, jonka kautta jyrsinkärki kulkee, sallien jyrsimen käytön mallikaavan mukaan.

► **Kuva8**

1. Löysää kiristysruuvi ja irrota sitten ohjaimen pidin ja lastusuoja.

► **Kuva9:** 1. Kiristysruuvi 2. Ohjaimen pidin 3. Lastusuoja

2. Löysennä ruuvit ja poista pohjan suojus.

► **Kuva10:** 1. Pohjan suojus 2. Ruuvit

3. Kiinnitä mallilankun ohjain pohjaan ja aseta pohjan suojus uudelleen. Varmista sitten pohjan suojuksen kiinnitys kiristämällä ruuvit.

4. Varmista mallilankun kiinnitys työkappaleeseen. Aseta työkalu mallilankun päälle ja liikuta työkalua siten, että mallilankun ohjain liukuu mallilankun sivua pitkin.

► **Kuva11:** 1. Jyrsinkärki 2. Alusta 3. Pohjan suojus 4. Mallilankku 5. Työkappale 6. Mallilankun ohjain

HUOMAA: Työkappale leikataan hieman eri kokoiseksi, kuin mallilankku. Jätä jyrsinkärjen ja mallilankun ohjaimen väliin etäisyys (X). Etäisyys (X) voidaan laskea seuraavaa yhtälöä käyttäen:

Etäisyys (X) = (mallilankun ohjaimen ulkohalkaisija - jyrsinkärjen halkaisija) / 2

Suoraohjain

Suora ohjain on tehokas apuväline suorissa viisteleikkauksissa.

► **Kuva12**

1. Kiinnitä ohjauslevy suora-ohjaimen pultilla ja siipimutterilla.

► **Kuva13:** 1. Pultti 2. Ohjainlevy 3. Suoraohjain 4. Siipimutteri

2. Poista ohjaimen pidin ja lastusuoja ja kiinnitä suoraohjaimen kiristysruuvi.

► **Kuva14:** 1. Kiristysruuvi 2. Suoraohjain 3. Siipimutteri 4. Alusta

3. Löysää suoraohjaimessa oleva siipimutteri ja säädä jyrsinkärjen ja suoraohjaimen välinen etäisyys. Kun etäisyys on sopiva, kiristä siipimutteri tiukasti.

4. Liikuta työkalua leikatessa siten, että suoraohjain on samassa tasossa työkalun sivun kanssa.

Jyrsinohjain

Trimmausleikkaukset, huonekalujen vanereihin kaarevat leikkauksen ja vastaavat voidaan tehdä helposti jyrsinohjaimella. Ohjaimen tela ajaa kaaria ja takaa siistin leikkauksen.

► **Kuva15**

1. Kiinnitä lastusuoja pohjassa olevaan uraan.
2. Kiinnitä jyrsinohjain ja ohjaimen pidin pohjaan kiristysruuvilla (A).

3. Löysää kiristysruuvia (B) ja säädä jyrsinkärjen ja jyrsinohjaimen välistä etäisyyttä säätöruuvia kiertämällä (1 mm per kierros). Kun etäisyys on sopiva, kiinnitä jyrsinohjain paikalleen kiristämällä kiristysruuvia (B).
► Kuva16: 1. Säätöruuvi 2. Ohjaimen pidin 3. Jyrsinohjain 4. Lastusuoja

4. Liikuta työkalua leikatessa siten, että ohjaimen tela etenee työkalun sivulla.
► Kuva17: 1. Työkappale 2. Jyrsinkärki 3. Ohjaintela

KUNNOSSAPITO

▲HUOMIO: Varmista aina ennen tarkastuksia ja huoltotyötä, että työkalu on sammutettu ja irrotettu virtalähteestä.

HUOMAUTUS: Älä koskaan käytä bensiniä, ohenteita, alkoholia tai tms. aineita. Muutoin pinta voi halkeilla tai sen värit ja muoto voivat muuttua. Muutoin laitteeseen voi tulla värjäytyksiä, muodon vääristymiä tai halkeamia.

Tuotteen TURVALLISUUDEN ja LUOTETTAVUUDEN takaamiseksi korjaukset, muut huoltotyöt ja säädöt on teetettävä Makitan valtuutetussa huoltopisteessä Makitan varaosia käyttäen.

Hiiliharjojen vaihtaminen

- Kuva18:** 1. Rajamerkki

Tarkista hiiliharjat säännöllisesti.

Vaihda ne, kun ne ovat kuluneet rajamerkkiin asti. Pidä hiiliharjat puhtaina ja varmista, että ne pääsevät liukumaan vapaasti pidikkeissään. Molemmat hiiliharjat on vaihdettava yhtä aikaa. Käytä vain identtisiä hiiliharjoja.

1. Irrota hiiliharjanpidikkeiden kuvat ruuvimeisselillä.
2. Irrota kuluneet hiiliharjat, asenna uudet ja kiinnitä pidikkeiden kuvat.

- Kuva19:** 1. Hiiliharjan pidikkeen kupu

LISÄVARUSTEET

▲HUOMIO: Seuraavia lisävarusteita tai laitteita suositellaan käytettäväksi tässä ohjeessa kuvatun Makita-työkalun kanssa. Muiden lisävarusteiden tai laitteiden käyttö voi aiheuttaa henkilövahinkoja. Käytä lisävarusteita ja -laitteita vain niiden käyttötarkoituksen mukaisesti.

Jos tarvitset apua tai yksityiskohtaisempia tietoja seuraavista lisävarusteista, ota yhteys paikalliseen Makitan huoltoon.

HUOMAA: Jotkin luettelossa mainitut varusteet voivat sisältyä työkalun toimitukseen vakiovarusteina. Ne voivat vaihdella maittain.

Jyrsinkärjet

Suora kärki

- Kuva20**

| D | A | L1 | L2 |
|------|----|----|----|
| 6 | 20 | 50 | 15 |
| 1/4" | | | |
| 6 | 8 | 50 | 18 |
| 1/4" | | | |
| 6 | 6 | 50 | 18 |
| 1/4" | | | |

Yksikkö: mm

U-urituskärki

- Kuva21**

| D | A | L1 | L2 | R |
|------|---|----|----|---|
| 6 | 6 | 60 | 28 | 3 |
| 1/4" | | | | |

Yksikkö: mm

V-urituskärki

- Kuva22**

| D | A | L1 | L2 | θ |
|------|----|----|----|-----|
| 1/4" | 20 | 50 | 15 | 90° |

Yksikkö: mm

Porakärjen upottama jyrsinkärki

- Kuva23**

| D | A | L1 | L2 | L3 |
|------|---|----|----|----|
| 6 | 6 | 60 | 18 | 28 |
| 1/4" | | | | |

Yksikkö: mm

Porakärjen tuplasti upottava jyrsinkärki

- Kuva24**

| D | A | L1 | L2 | L3 | L4 |
|------|---|----|----|----|----|
| 6 | 6 | 70 | 40 | 12 | 14 |
| 1/4" | | | | | |

Yksikkö: mm

Kulmanpyörästyskärki

- Kuva25**

| D | A1 | A2 | L1 | L2 | L3 | R |
|------|----|----|----|----|----|---|
| 6 | 25 | 9 | 48 | 13 | 5 | 8 |
| 1/4" | | | | | | |
| 6 | 20 | 8 | 45 | 10 | 4 | 4 |
| 1/4" | | | | | | |

Yksikkö: mm

Viistoamiskärki**► Kuva26**

| D | A | L1 | L2 | L3 | θ |
|---|----|----|----|----|-----|
| 6 | 23 | 46 | 11 | 6 | 30° |
| 6 | 20 | 50 | 13 | 5 | 45° |
| 6 | 20 | 49 | 14 | 2 | 60° |

Yksikkö: mm

Kartiokäyräkärki**► Kuva27**

| D | A | L1 | L2 | R |
|---|----|----|----|---|
| 6 | 20 | 43 | 8 | 4 |
| 6 | 25 | 48 | 13 | 8 |

Yksikkö: mm

Kuulalaakerin upottava jyrinkärki**► Kuva28**

| D | A | L1 | L2 |
|------|----|----|----|
| 6 | 10 | 50 | 20 |
| 1/4" | | | |

Yksikkö: mm

Kuulalaakerinen kulmanpyöristyskärki**► Kuva29**

| D | A1 | A2 | L1 | L2 | L3 | R |
|------|----|----|----|----|-----|---|
| 6 | 15 | 8 | 37 | 7 | 3,5 | 3 |
| 6 | 21 | 8 | 40 | 10 | 3,5 | 6 |
| 1/4" | 21 | 8 | 40 | 10 | 3,5 | 6 |

Yksikkö: mm

Kuulalaakerinen viistoamiskärki**► Kuva30**

| D | A1 | A2 | L1 | L2 | θ |
|------|----|----|----|----|-----|
| 6 | 26 | 8 | 42 | 12 | 45° |
| 1/4" | | | | | |
| 6 | 20 | 8 | 41 | 11 | 60° |

Yksikkö: mm

Kuulalaakerinen käyräkärki**► Kuva31**

| D | A1 | A2 | A3 | L1 | L2 | L3 | R |
|---|----|----|----|----|----|-----|---|
| 6 | 20 | 12 | 8 | 40 | 10 | 5,5 | 4 |
| 6 | 26 | 12 | 8 | 42 | 12 | 4,5 | 7 |

Yksikkö: mm

Kuulalaakerinen kartiokäyräkärki**► Kuva32**

| D | A1 | A2 | A3 | A4 | L1 | L2 | L3 | R |
|---|----|----|----|----|----|----|-----|---|
| 6 | 20 | 18 | 12 | 8 | 40 | 10 | 5,5 | 3 |
| 6 | 26 | 22 | 12 | 8 | 42 | 12 | 5 | 5 |

Yksikkö: mm

Kuulalaakerinen suippokaarikärki**► Kuva33**

| D | A1 | A2 | L1 | L2 | L3 | R1 | R2 |
|---|----|----|----|----|-----|-----|-----|
| 6 | 20 | 8 | 40 | 10 | 4,5 | 2,5 | 4,5 |
| 6 | 26 | 8 | 42 | 12 | 4,5 | 3 | 6 |

Yksikkö: mm

SPECIFIKATIONER

| | |
|----------------------------|-----------------------------|
| Model: | M3702 |
| Kapacitet af indsatspatron | 6,35 mm (1/4") eller 6,0 mm |
| Hastighed uden belastning | 35.000 min ⁻¹ |
| Samlet højde | 211 mm |
| Nettovægt | 1,5 kg |
| Sikkerhedsklasse | □/II |

- På grund af vores kontinuerlige forsknings- og udviklingsprogrammer kan hosstående specifikationer blive ændret uden varsel.
- Specifikationer kan variere fra land til land.
- Vægt i henhold til EPTA-procedure 01/2014

Tilsigtet anvendelse

Maskinen er beregnet til tilskæring af kanten på laminatplader og lignende materialer.

Strømforsyning

Maskinen må kun tilsluttes en strømforsyning med samme spænding som angivet på typeskiltet og kan kun anvendes på enfasnet vekselstrømsforsyning. Den er dobbeltisoleret og kan derfor også tilsluttes netstik uden jordforbindelse.

Støj

Det typiske A-vægtede støjniveau bestemt i overensstemmelse med 62841-2-17:

Lydtryksniveau ($L_{p(A)}$): 83 dB (A)

Lydeffektniveau (L_{WA}): 94 dB (A)

Usikkerhed (K): 3 dB (A)

BEMÆRK: De(n) angivne støjemissionsværdi(er) er målt i overensstemmelse med en standardtestmetode og kan anvendes til at sammenligne en maskine med en anden.

BEMÆRK: De(n) angivne støjemissionsværdi(er) kan også anvendes i en præliminær eksponeringsvurdering.

⚠ ADVARSEL: Bær høreværn.

⚠ ADVARSEL: Støjemissionen under den faktiske anvendelse af maskinen kan være forskellig fra de(n) angivne værdi(er), afhængigt af den måde hvorpå maskinen anvendes, især den type arbejdsemne der behandles.

⚠ ADVARSEL: Sørg for at identificere de sikkerhedsforskrifter til beskyttelse af operatøren, som er baseret på en vurdering af eksponering under de faktiske brugsforhold (med hensyntagen til alle dele i brugscyklussen, f.eks. de gange, hvor maskinen er slukket, og når den kører i tomgang i tilgift til afbrydertiden).

Vibration

Vibrationens totalværdi (tre-aksial vektorsum) bestemt i overensstemmelse med 62841-2-17:

Arbejdstilstand: rotation uden belastning

Vibrationsemission (a_w): 2,5 m/s² eller mindre

Usikkerhed (K): 1,5 m/s²

BEMÆRK: De(n) angivne totalværdi(er) for vibration er målt i overensstemmelse med en standardtestmetode og kan anvendes til at sammenligne en maskine med en anden.

BEMÆRK: De(n) angivne totalværdi(er) for vibration kan også anvendes i en præliminær eksponeringsvurdering.

⚠ ADVARSEL: Vibrationsemissionen under den faktiske anvendelse af maskinen kan være forskellig fra de(n) angivne værdi(er), afhængigt af den måde hvorpå maskinen anvendes, især den type arbejdsemne der behandles.

⚠ ADVARSEL: Sørg for at identificere de sikkerhedsforskrifter til beskyttelse af operatøren, som er baseret på en vurdering af eksponering under de faktiske brugsforhold (med hensyntagen til alle dele i brugscyklussen, f.eks. de gange, hvor maskinen er slukket, og når den kører i tomgang i tilgift til afbrydertiden).

EF-overensstemmelseserklæring

Kun for lande i Europa

EF-overensstemmelseserklæringen er inkluderet som Bilag A i denne brugsanvisning.

SIKKERHEDSADVARSLER

Almindelige sikkerhedsregler for el-værktøj

⚠ ADVARSEL: Læs alle de sikkerhedsadvarsler, instruktioner, illustrationer og specifikationer, der følger med denne maskine. Forsømmelse af at overholde alle nedenstående instruktioner kan medføre elektrisk stød, brand og/eller alvorlig personskade.

Gem alle advarsler og instruktioner til fremtidig reference.

Ordet "el-værktøj" i advarslerne henviser til det netforsynede (netledning) el-værktøj eller batteriforsynede (akku) el-værktøj.

Sikkerhedsadvarsler for overfræser

1. Hold kun maskinen i de isolerede gribeplader, da skærreren kan komme i kontakt med sin egen ledning. Hvis der skæres i en strømførende ledning, kan udsatte metaldele på maskinen også blive strømførende, hvorved operatøren kan få elektrisk stød.
2. Brug skruetvinger eller en anden praktisk måde til at fastgøre og understøtte arbejdsemnet til en stabil platform. Hvis arbejdsemnet holdes i hånden eller mod kroppen, er det ustabil, hvilket kan medføre, at du mister kontrollen.
3. Overfræserbitskafte skal matche den designede spændepatron.
4. Brug kun en overfræserbit, der er vurderet til mindst den maksimale hastighed, der er angivet på maskinen.
5. Bær høreværn ved længere tids brug.
6. Håndter overfræserbits yderst forsigtigt.
7. Kontroller overfræserbitten omhyggeligt for revner eller beskadigelse før brugen. Udskift øjeblikkeligt en revnet eller beskadiget bit.
8. Undgå at skære i søm. Se efter og fjern alle søm fra arbejdsemnet, før arbejdet påbegyndes.
9. Hold godt fast i maskinen.
10. Hold hænderne på afstand af roterende dele.
11. Sørg for, at overfræserbitten ikke er i kontakt med arbejdsemnet, før der tændes ved kontakten.
12. Lad maskinen køre et stykke tid, før den anvendes på et egentligt arbejdsemne. Se efter vibration eller rysten, der kan tyde på en forkert monteret bit.
13. Vær opmærksom på overfræserbittens rotationsretning og fremføringsretningen.
14. Lad ikke maskinen køre. Brug kun maskinen, når den holdes i hænderne.
15. Sluk altid, og vent, til overfræserbitten er helt stoppet, før maskinen fjernes fra arbejdsemnet.
16. Undlad at berøre overfræserbitten umiddelbart efter brugen. Den kan være meget varm og kan forårsage forbrændinger.
17. Undgå at smøre foden skødesløst med fortyndet, benzin, olie eller lignende. De kan forårsage revner i foden.
18. Nogle materialer indeholder kemikalier, der kan være giftige. Sørg omhyggeligt for at undgå indånding af støv samt kontakt med huden. Følg materialeleverandørens sikkerhedsdata.
19. Anvend altid korrekt støvmaske/ånde-drætsværn til det materiale og anvendelsesformål, du arbejder med.
20. Placer maskinen på et stabilt område. Ellers kan der forekomme en faldulykke, der forårsager personskade.

GEM DISSE FORSKRIFTER.

⚠ ADVARSEL: LAD IKKE bekvemmelighed eller kendskab til produktet (opnået gennem gentagen brug) forhindre, at sikkerhedsforskrifterne for produktet nøje overholdes. MISBRUG eller forsømmelse af at følge de i denne brugsvejledning givne sikkerhedsforskrifter kan medføre alvorlig personskade.

FUNKTIONSBESKRIVELSE

⚠ FORSİGTIG: Kontrollér altid, at maskinen er slået fra, og at netstikket er trukket ud, før der udføres justeringer, eller funktioner kontrolleres på maskinen.

Justering af overfræserbittens fremspring

For at justere bittens fremspring løsnes blokerings-skruen, og foden flyttes op eller ned efter behov. Efter justeringen tilspændes blokeringsskruen fast for at fastgøre foden.

- Fig.1: 1. Fod 2. Skala 3. Bittens fremspring
4. Blokeringsskrue

Afbryderfunktion

⚠ FORSİGTIG: Sørg altid for, at der er slukket for maskinen, før maskinen sættes i stikkontakten.

Flyt afbryderhåndtaget til I-positionen for at starte maskinen. Flyt afbryderhåndtaget til O-positionen for at stoppe maskinen.

- Fig.2: 1. Afbryderhåndtag

Elektronisk funktion

Maskinen er udstyret med elektroniske funktioner for nem betjening.

Indikatorlampe

- Fig.3: 1. Indikatorlampe

Indikatorlampen lyser grønt, når maskinen er tilsluttet. Hvis indikatorlampen ikke lyser, kan netledningen eller kontrolløren være defekt. Hvis indikatorlampen er tændt, men maskinen ikke starter, selvom der er tændt for maskinen, kan kulbørsterne være slidte, eller kontrolløren, motoren eller TÆND/SLUK-knappen kan være defekt.

Sikring mod utilsigtet start

Maskinen starter ikke med afbryderhåndtaget i I-position, selv når maskinen er tilsluttet.

I så fald blinker indikatorlampen rødt og viser, at sikringsenheden mod utilsigtet start er aktiveret.

For at annullere sikringen mod utilsigtet start skal du sætte afbryderhåndtaget tilbage i position O igen.

Funktion til blød start

Funktionen til blød start minimerer opstartsstød og får maskinen til at starte blødt.

SAMLING

⚠️FORSIGTIG: Sørg altid for, at maskinen er slukket og taget ud af forbindelse, inden der udføres nogen form for arbejde på maskinen.

Montering eller afmontering af overfræserbitten

⚠️FORSIGTIG: Undlad at stramme patronmøtrikken uden at indsætte en overfræserbit, da patronkeglen ellers vil gå i stykker.

⚠️FORSIGTIG: Brug kun de medfølgende skrueøglere til maskinen.

Sæt overfræserbitten helt ind i patronkeglen, og stram patronmøtrikken forsvarligt med de to skrueøglere. Følg monteringsproceduren i omvendt rækkefølge for at afmontere bittens.

► **Fig.4:** 1. Løsn 2. Stram 3. Hold

ANVENDELSE

⚠️FORSIGTIG: Hold altid godt fast i maskinen med den ene hånd på huset. Rør ikke ved metaldelen.

1. Sæt foden på det arbejdsemne, der skal skæres, uden at overfræserbitten kommer i kontakt.
2. Tænd for maskinen, og vent, til overfræserbitten har nået fuld hastighed.
3. Flyt maskinen fremad hen over arbejdsemnets overflade, idet foden holdes plant, og der flyttes fremad med jævn hastighed, indtil skæringen er færdig.
► **Fig.5**

Ved skæring af kanter skal arbejdsemnets overflade være på venstre side af overfræserbitten i fremføringsretningen.

- **Fig.6:** 1. Arbejdsemne 2. Bittens omdrejningsretning 3. Set fra toppen af maskinen 4. Fremføringsretning

Ved brug af det lige styr eller tilskæringsstyret skal du sørge for at holde det i højre side i fremføringsretningen. Dette hjælper med at holde det justeret i forhold til siden af arbejdsemnet.

- **Fig.7:** 1. Fremføringsretning 2. Bittens omdrejningsretning 3. Arbejdsemne 4. Lige styr

BEMÆRK: Hvis maskinen føres fremad for hurtigt, kan det medføre et dårligt snit eller beskadigelse af overfræserbitten eller motoren. Hvis maskinen flyttes for langsomt fremad, kan snittet blive brændt og ødelagt. Den korrekte fremføringshastighed afhænger af bitstørrelsen, typen af arbejdsemnet og skæredybden. Før du starter snittet i det faktiske arbejdsemne, tilrådes det at foretage et prøvesnit i et stykke affaldstræ. Dette viser, nøjagtigt hvordan snittet vil se ud, og du kan kontrollere dimensionerne.

Skabelonstyr

Skabelonstyret skaber en muffe, som overfræserbitten går igennem, så maskinen kan anvendes sammen med skabelonmønstre.

► **Fig.8**

1. Løsn blokeringsskruen, og fjern derefter styrholderen og spånskærmen.

► **Fig.9:** 1. Blokeringsskrue 2. Styrholder 3. Spånskærm

2. Løsn skrueerne, og fjern fodbeskytteren.

► **Fig.10:** 1. Fodbeskytter 2. Skrue

3. Placer skabelonstyret på foden, og placer fodbeskytteren igen. Fastgør derefter fodbeskytteren ved at stramme skrueerne.

4. Fastgør skabelonen til arbejdsemnet. Placer maskinen på skabelonen, og flyt maskinen, så skabelonstyret glider langs siden af skabelonen.

► **Fig.11:** 1. Overfræserbit 2. Fod 3. Fodbeskytter 4. Skabelon 5. Arbejdsemne 6. Skabelonstyr

BEMÆRK: Arbejdsemnet skæres i en lidt anden størrelse end skabelonen. Tag højde for afstanden (X) mellem overfræserbitten og ydersiden af skabelonstyret. Afstanden (X) kan beregnes ved hjælp af følgende ligning:

Afstand (X) = (den udvendige diameter af skabelonstyr - diameteren af overfræserbitten) / 2

Lige styr

Det lige styr anvendes effektivt til lige snit i forbindelse med skråfåsning.

► **Fig.12**

1. Monter styrpladen på det lige styr ved hjælp af boltene og vingemøtrikken.

► **Fig.13:** 1. Bolt 2. Styrplade 3. Lige styr 4. Vingemøtrik

2. Fjern styrholderen og spånskærmen, og monter derefter det lige styr med blokeringsskruen.

► **Fig.14:** 1. Blokeringsskrue 2. Lige styr 3. Vingemøtrik 4. Fod

3. Løsn vingemøtrikken på det lige styr, og juster afstanden mellem overfræserbitten og det lige styr. Tilspænd vingemøtrikken fast i den ønskede afstand.

4. Ved skæring skal du flytte maskinen, så det lige styr flugter med siden af arbejdsemnet.

Tilskæringsstyr

Tilskæring, kurvede snit i finer til møbler og lignende er let at foretage med tilskæringsstyret. Styrrullen rider på kurven og sikrer et fint snit.

► **Fig.15**

1. Monter spånskærmen på rillen i foden.
2. Monter tilskæringsstyret og styrholderen på foden med blokeringsskruen (A).

3. Løsn blokeringsskruen (B), og juster afstanden mellem overfræserbitten og tilskæringsstyret ved at dreje justeringsskruen (1 mm pr. omgang). Tilspænd blokeringsskruen (B) ved den ønskede afstand for at holde tilskæringsstyret på plads.

► **Fig.16:** 1. Justeringskrue 2. Styrholder
3. Tilskæringsstyr 4. Spånskærm

4. Ved skæring skal du flytte maskinen, så styrrullen rider på siden af arbejdsemnet.

► **Fig.17:** 1. Arbejdsemne 2. Overfræserbit 3. Styrrulle

VEDLIGEHOLDELSE

⚠FORSIGTIG: Kontrollér altid, at der er slukket for maskinen, og at netstikket er trukket ud, før der udføres eftersyn eller vedligeholdelse.

BEMÆRKNING: Anvend aldrig benzin, rensbenzin, fortynder, alkohol og lignende. Det kan medføre misfarvning, deformation eller revner.

For at opretholde produktets SIKKERHED og PÅLIDELIGHED må reparation, vedligeholdelse eller justering kun udføres af et autoriseret Makita servicecenter eller fabriksservicecenter med anvendelse af Makita reservedele.

Udskiftning af kulbørster

► **Fig.18:** 1. Slidgrænse

Kontrollér kulbørsterne med regelmæssige mellemrum. Udskift dem, når de er slidt ned til slidgrænsen. Hold kulbørsterne rene og i stand til frit at glide ind i holderne. Begge kulbørster skal udskiftes parvist samtidigt. Anvend kun identiske kulbørster.

1. Benyt en skruetrækker til at afmontere kulholderdækslerne.

2. Tag de slidte kulbørster ud, isæt de nye, og fastgør derefter kulholderdækslerne.

► **Fig.19:** 1. Kulholderdæksel

EKSTRAUDSTYR

⚠FORSIGTIG: Det følgende tilbehør og ekstraudstyr er anbefalet til brug med Deres Makita maskine, der er beskrevet i denne brugsanvisning. Anvendelse af andet tilbehør eller ekstraudstyr kan udgøre en risiko for personskade. Anvend kun tilbehør og ekstraudstyr til det beskrevne formål.

Hvis De behøver hjælp ved valg af tilbehør eller ønsker yderligere informationer, bedes De kontakte Deres lokale Makita servicecenter.

BEMÆRK: Nogle ting på denne liste kan være inkluderet i værktøjspakken som standardtilbehør. Det kan være forskellige fra land til land.

Overfræserbits

Lige bit

► **Fig.20**

| D | A | L1 | L2 |
|------|----|----|----|
| 6 | 20 | 50 | 15 |
| 1/4" | | | |
| 6 | 8 | 50 | 18 |
| 1/4" | | | |
| 6 | 6 | 50 | 18 |
| 1/4" | | | |

Enhed: mm

U-rillebit

► **Fig.21**

| D | A | L1 | L2 | R |
|------|---|----|----|---|
| 6 | 6 | 60 | 28 | 3 |
| 1/4" | | | | |

Enhed: mm

V-rillebit

► **Fig.22**

| D | A | L1 | L2 | θ |
|------|----|----|----|-----|
| 1/4" | 20 | 50 | 15 | 90° |

Enhed: mm

Bit til udglatning af borepunkt

► **Fig.23**

| D | A | L1 | L2 | L3 |
|------|---|----|----|----|
| 6 | 6 | 60 | 18 | 28 |
| 1/4" | | | | |

Enhed: mm

Bit til dobbelt udglatning af borepunkt

► **Fig.24**

| D | A | L1 | L2 | L3 | L4 |
|------|---|----|----|----|----|
| 6 | 6 | 70 | 40 | 12 | 14 |
| 1/4" | | | | | |

Enhed: mm

Bit til afrunding af hjørner

► **Fig.25**

| D | A1 | A2 | L1 | L2 | L3 | R |
|------|----|----|----|----|----|---|
| 6 | 25 | 9 | 48 | 13 | 5 | 8 |
| 1/4" | | | | | | |
| 6 | 20 | 8 | 45 | 10 | 4 | 4 |
| 1/4" | | | | | | |

Enhed: mm

Skråfåsingsbit**► Fig.26**

| D | A | L1 | L2 | L3 | θ |
|---|----|----|----|----|-----|
| 6 | 23 | 46 | 11 | 6 | 30° |
| 6 | 20 | 50 | 13 | 5 | 45° |
| 6 | 20 | 49 | 14 | 2 | 60° |

Enhed: mm

Bugtbortlingsbit**► Fig.27**

| D | A | L1 | L2 | R |
|---|----|----|----|---|
| 6 | 20 | 43 | 8 | 4 |
| 6 | 25 | 48 | 13 | 8 |

Enhed: mm

Bit til udglatning med kugleleje**► Fig.28**

| D | A | L1 | L2 |
|------|----|----|----|
| 6 | 10 | 50 | 20 |
| 1/4" | | | |

Enhed: mm

Bit til afrunding af hjørner med kugleleje**► Fig.29**

| D | A1 | A2 | L1 | L2 | L3 | R |
|------|----|----|----|----|-----|---|
| 6 | 15 | 8 | 37 | 7 | 3,5 | 3 |
| 6 | 21 | 8 | 40 | 10 | 3,5 | 6 |
| 1/4" | 21 | 8 | 40 | 10 | 3,5 | 6 |

Enhed: mm

Bit til skråfåsning med kugleleje**► Fig.30**

| D | A1 | A2 | L1 | L2 | θ |
|------|----|----|----|----|-----|
| 6 | 26 | 8 | 42 | 12 | 45° |
| 1/4" | | | | | |
| 6 | 20 | 8 | 41 | 11 | 60° |

Enhed: mm

Bit til bertling med kugleleje**► Fig.31**

| D | A1 | A2 | A3 | L1 | L2 | L3 | R |
|---|----|----|----|----|----|-----|---|
| 6 | 20 | 12 | 8 | 40 | 10 | 5,5 | 4 |
| 6 | 26 | 12 | 8 | 42 | 12 | 4,5 | 7 |

Enhed: mm

Bit til bugtbortling med kugleleje**► Fig.32**

| D | A1 | A2 | A3 | A4 | L1 | L2 | L3 | R |
|---|----|----|----|----|----|----|-----|---|
| 6 | 20 | 18 | 12 | 8 | 40 | 10 | 5,5 | 3 |
| 6 | 26 | 22 | 12 | 8 | 42 | 12 | 5 | 5 |

Enhed: mm

Antikkarnisbit med kugleleje**► Fig.33**

| D | A1 | A2 | L1 | L2 | L3 | R1 | R2 |
|---|----|----|----|----|-----|-----|-----|
| 6 | 20 | 8 | 40 | 10 | 4,5 | 2,5 | 4,5 |
| 6 | 26 | 8 | 42 | 12 | 4,5 | 3 | 6 |

Enhed: mm

SPECIFIKĀCIJAS

| | |
|--|--------------------------------|
| Modelis: | M3702 |
| Ietvara spļipatrons iekšējais diametrs | 6,35 mm (1/4collas) vai 6,0 mm |
| Ātrums bez slodzes | 35 000 min ⁻¹ |
| Kopējais augstums | 211 mm |
| Tīrsvars | 1,5 kg |
| Drošības klase | II/III |

- Nepārtrauktās izpētes un izstrādes programmas dēļ šeit uzrādītās specifikācijas var tikt mainītas bez brīdinājuma.
- Atkarībā no valsts specifikācijas var atšķirties.
- Svārs atbilstīgi EPTA procedūrai 01/2014

Paredzētā lietošana

Šis darbarīks paredzēts lamināta lokšņu malu un līdzīgu materiālu apzāģēšanai.

Barošana

Darbarīks jāpievieno tikai tādām barošanas avotam, kura spriegums atbilst uz darbarīka tehnisko datu plāksnītes norādītajam, un darbarīku var izmantot tikai ar vienfāzes maiņstrāvas barošanu. Darbarīks aprīkots ar divkārtšo izolāciju, tādēļ to var izmantot arī, pievienojot kontaktligzdai bez iezemējuma vada.

Trokšņa līmenis

Tipiskais A svērtais trokšņa līmenis noteikts saskaņā ar 62841-2-17: Skaņas spiediena līmeni (L_{pA}): 83 dB (A)
Skaņas jaudas līmeni (L_{WA}): 94 dB (A)
Mainīgums (K): 3 dB (A)

PIEZĪME: Paziņotā trokšņa emisijas vērtība noteikta atbilstoši standarta pārbaudes metodei, un to var izmantot, lai salīdzinātu vienu darbarīku ar citu.

PIEZĪME: Paziņoto trokšņa emisijas vērtību arī var izmantot iedarbības sākotnējā novērtējumā.

▲BRĪDINĀJUMS: Lietojiet ausu aizsargus.

▲BRĪDINĀJUMS: Trokšņa emisija patiesos darba apstākļos var atšķirties no paziņotās vērtības atkarībā no darbarīka izmantošanas veida un jo īpaši atkarībā no apstrādājamā materiāla veida.

▲BRĪDINĀJUMS: Lai aizsargātu lietotāju, nosakiet drošības pasākumus, kas pamatoti ar iedarbību reālos darba apstākļos (ņemot vērā visus ekspluatācijas cikla posmus, piemēram, laiku, kamēr darbarīks ir izslēgts un kad darbojas tukšgaitā, kā arī palaides laiku).

Vibrācija

Vibrācijas kopējā vērtība (trīsasu vektora summa) noteikta atbilstoši 62841-2-17:

Darba režīms: rotācija bez slodzes

Vibrācijas izmēte (a_{h1}): 2,5 m/s² vai mazāk

Mainīgums (K): 1,5 m/s²

PIEZĪME: Paziņotā kopējā vibrācijas vērtība noteikta atbilstoši standarta pārbaudes metodei, un to var izmantot, lai salīdzinātu vienu darbarīku ar citu.

PIEZĪME: Paziņoto kopējo vibrācijas vērtību arī var izmantot iedarbības sākotnējā novērtējumā.

▲BRĪDINĀJUMS: Vibrācijas emisija patiesos darba apstākļos var atšķirties no paziņotās vērtības atkarībā no darbarīka izmantošanas veida un jo īpaši atkarībā no apstrādājamā materiāla veida.

▲BRĪDINĀJUMS: Lai aizsargātu lietotāju, nosakiet drošības pasākumus, kas pamatoti ar iedarbību reālos darba apstākļos (ņemot vērā visus ekspluatācijas cikla posmus, piemēram, laiku, kamēr darbarīks ir izslēgts un kad darbojas tukšgaitā, kā arī palaides laiku).

EK atbilstības deklarācija

Tikai Eiropas valstīm

EK atbilstības deklarācija šajā lietošanas rokasgrāmatā ir iekļauta kā A pielikums.

DROŠĪBAS BRĪDINĀJUMI

Vispārīgi elektrisko darbarīku drošības brīdinājumi

▲BRĪDINĀJUMS: Izlasiet visus drošības brīdinājumus, instrukcijas, apskatiet ilustrācijas un tehniskos datus, kas iekļauti mehānizētā darbarīka komplektācijā. Ja netiek ievēroti visi tālāk minētie noteikumi, var tikt izraisīta elektrotrauma, notikt aizdegšanās un/vai rasties smagas traumas.

Glabājiet visus brīdinājumus un norādījumus, lai varētu tajos ieskatīties turpmāk.

Termins „elektrisks darbarīks” brīdinājumus attiecas uz tādu elektrisko darbarīku, ko darbina ar elektrību (ar vadu), vai tādu, ko darbina ar akumulatoru (bez vada).

Drošības brīdinājumi apgriezējmašīnas lietošanai

1. Mehānizēto darbarīku turiet tikai aiz izolētājām satveršanas virsmām, jo grieziņš var saskarties ar savu kabeli. Sagriežot vadu, kurā ir strāva, mehānizētā darbarīka ārējās metāla virsmas var vadīt strāvu un radīt elektriskās smāvas trieciena risku.
2. Ar skavām vai citā praktiskā veidā nostipriniet apstrādājamo materiālu un atbalstiet pret stabili platformu. Turot materiālu ar roku vai pie ķermeņa, tas ir nestabilā stāvoklī: jūs varat zaudēt kontroli pār to.
3. Apgriezējmašīnas uzgaļa kātam ir jābūt saderīgam ar ietvara spļipatronu.
4. Atļauts izmantot tikai tādus apgriezējmašīnas uzgaļus, kuru maksimālais lietošanas ātrums ir vismaz vienlīdzīgs ar maksimālo ātrumu, kas norādīts uz darbarīka.
5. Ilgstoša darba laikā lietojiet ausu aizsargus.
6. Ar apgriezējmašīnas uzgaļiem rīkojieties ļoti uzmanīgi.
7. Pirms sākat darbu, uzmanīgi pārbaudiet, vai apgriezējmašīnas uzgalim nav plaisu vai bojājumu. Iepalaisījušu vai bojātu uzgali nekavējoties nomainiet.
8. Negrieziet naglas. Pirms sākt darbu pārbaudiet, vai apstrādājamā materiālā nav naglas, un tās izņemiet.
9. Darbarīku turiet cieši.
10. Rokas netuviniet rotējošām daļām.
11. Pirms slēdža pārlēgšanas ieslēgtā stāvoklī pārliecinieties, ka apgriezējmašīnas uzgalis nepieskaras apstrādājamajam materiālam.
12. Pirms darbarīku lietojat materiāla apstrādei, izslāicīgi darbiniet to bez slodzes. Pievērsiet uzmanību virbrācijai vai svārstībām, jo tas var liecināt par nepareizi uzstādītu uzgali.
13. Pievērsiet uzmanību apgriezējmašīnas uzgaļa griešanās virzienam un padeves virzienam.
14. Neatstājiet darbarīku ieslēgtu. Darbiniet darbarīku vienīgi tad, ja turat to rokās.
15. Pirms apgriezējmašīnas izņemšanas no apstrādājamā materiāla vienmēr izslēdziet darbarīku un nogaidiet, līdz apgriezējmašīnas uzgalis pavisam apstājas.
16. Apgriezējmašīnas uzgalim nepieskarieties tūlīt pēc darba izpildes; tas var būt ļoti karsts un apdedzināt ādu.
17. Nesmērējiet uz pamatnes pārāk daudz šķīdinātāju, benzīnu, eļļu vai līdzīgas vielas. Tas var izraisīt pamatnes plaisāšanu.
18. Daži materiāli satur ķīmiskas vielas, kas var būt toksiskas. Izvairieties no putekļu ieelpošanas un to nokļūšanas uz ādas. Ievērojiet materiāla piegādātāja drošības datus.
19. Vienmēr izmantojiet materiālam un konkrētam gadījumam piemērotu putekļu masku/respiratoru.
20. Novietojiet darbarīku uz stingras virsmas. Pretējā gadījumā tas var nokrist un izraisīt traumas.

SAGLABĀJIET ŠOS NORĀDĪJUMUS.

▲BRĪDINĀJUMS: NEPIELĀUJIET to, ka labu iemaņu vai izstrādājuma labas pārziņāšanas (darbarīku atkārtoti ekspluatējot) rezultātā vairs stingri neievērojat šī izstrādājuma drošības noteikumus. NEPAREIZI LIETOJOT darbarīku vai neievērojot šajā instrukciju rokasgrāmatā minētos drošības noteikumus, var tikt gūtas smagas traumas.

FUNKCIJU APRAKSTS

▲UZMANĪBU: Pirms regulējat vai pārbaudāt darbarīka darbību, vienmēr pārliecinieties, ka darbarīks ir izslēgts un atvienots no barošanas.

Apgriezējmašīnas uzgaļa izvirzījuma regulēšana

Lai neregulētu uzgaļa izvirzījumu, atskrūvējiet spļējuma skrūvi un virziet pamatni augšup vai lejup. Pēc noregulēšanas cieši pieskrūvējiet spļējuma skrūvi, lai nostiprinātu pamatni.

- **Att.1:** 1. Pamatne 2. Skala 3. Uzgaļa izvirzījums
4. Spļējuma skrūve

Slēdža darbība

▲UZMANĪBU: Pirms darbarīka pievienošanas barošanas avotam vienmēr pārbaudiet, vai tas ir izslēgts.

Lai ieslēgtu darbarīku, slēdža sviru pārbīdīet stāvoklī I (ieslēgts). Lai darbarīku apturētu, slēdža sviru pārbīdīet stāvoklī O (izslēgts).

- **Att.2:** 1. Slēdža svira

Elektronika

Lai atvieglotu lietošanu, darbarīks ir aprīkots ar elektroniskām funkcijām.

Indikatora lampiņa

- **Att.3:** 1. Indikatora lampiņa

Zaļās krāsas gaismas indikatora lampiņa iedegas, kad darbarīks tiek pievienots barošanas avotam. Ja indikatora lampiņa neiedegas, var būt bojāts barošanas kabelis vai vadības ierīce. Indikatora lampiņa deg, taču darbarīks nesāk darboties, pat ja tas ir ieslēgts; var būt nolietojušās ogles sukas, vai arī var būt bojāta vadības ierīce, motors vai slēdzis ON/OFF (iesl./izsl.).

Aizsardzība pret nejaušu darbības atsākšanu

Darbarīks neieslēdzas, kad slēdža svira atrodas pozīcijā I, pat ja ir pievienots barošanas avots. Šajā brīdī indikatora lampiņa mirgo sarkanā krāsā, norādot, ka darbojas drošības mehānisms pret nejaušu darbības atsākšanu. Lai izslēgtu mehānismu pret nejaušu darbības atsākšanu, pārbīdīet slēdža sviru pozīcijā O.

Laidenas ieslēgšanas funkcija

Laidena ieslēgšana minimizē iedarbināšanas triecienu, un darbarīks uzsāk darbību vienmērīgi.

MONTĀŽA

UZMANĪBU: Vienmēr pārliecinieties, ka darbarīks ir izslēgts un atvienots no barošanas, pirms veicat jebkādas darbības ar darbarīku.

Apgrīzējmašīnas uzgaļa uzstādīšana vai noņemšana

UZMANĪBU: Nepieskrūvējiet ietvara uzgriezni, ja nav ievietots apgrīzējmašīnas uzgaļš, jo tad ietvara konuss salūzīs.

UZMANĪBU: Izmantojiet tikai darbarīkam paredzētās uzgriežņu atslēgas.

Ietvara konusus līdž galam ievietojiet apgrīzējmašīnas uzgaļi un ar abām uzgriežņu atslēgām cieši pieskrūvējiet ietvara konusus. Lai noņemtu uzgaļi, iepriekš aprakstītās darbības izpildiet pretējā secībā.

► **Att.4:** 1. Atlaišana 2. Pievilksana 3. Turēšana

EKSPLUATĀCIJA

UZMANĪBU: Darbarīku vienmēr turiet cieši ar vienu roku uz korpasa. Nepieskarieties metāla daļai.

1. Darbarīka pamatni uzlieciet uz apstrādājamā materiāla tā, lai apgrīzējmašīnas uzgaļš nepieskartos materiālam.
 2. Ieslēdziet darbarīku un nogaidiet, līdz apgrīzējmašīnas uzgaļš sasniedz pilnu ātrumu.
 3. Virziet darbarīku pa apstrādājamā materiāla virsmu, turot pamatni cieši klāt pie virsmas, līdz griešana ir pabeigta.
- **Att.5**

Apgrīžot malas, apstrādājamā materiāla virsmai ir jābūt apgrīzējmašīnas uzgaļa kreisajā pusē padeves virzienā.

► **Att.6:** 1. Apstrādājamais materiāls 2. Uzgaļa griešanās virziens 3. Skats no darbarīka augšpusēs 4. Padeves virziens

Izmantojot taisnā griezuma vadotni vai apgrīzējmašīnas vadotni, uzstādiel to tā, lai tā būtu labajā pusē, skatoties padeves virzienā. Tas palīdzēs to saglabāt vienā līmenī ar apstrādājamā materiāla malu.

► **Att.7:** 1. Padeves virziens 2. Uzgaļa griešanās virziens 3. Apstrādājamais materiāls 4. Taisnā griezuma vadotne

PIEZĪME: Ja darbarīku uz priekšu virza pārāk ātri, iespējams, pasliktināsies griezuma kvalitāte vai arī radīsies frēzes uzgaļa vai apgrīzējmašīnas bojājumi. Ja darbarīku uz priekšu virza pārāk lēni, var sadedzināt vai sabojāt griezumus. Pareizais padeves ātrums ir atkarīgs no uzgaļa izmēra, apstrādājamā materiāla veida un griezuma dziļuma. Pirms sākat griezt apstrādājamo materiālu, ieteicams parauga griezumus, izmantojot koka atgriezuma gabalu. Tas precīzi parādīs, kā griezumus izskatīsies, kā arī dos iespēju pārbaudīt izmērus.

Šablona vadotne

Šablona vadotnei ir uzmava, caur kuru virzās apgrīzējmašīnas uzgaļš, tādējādi darbarīku iespējams lietot ar šablona paraugiem.

► **Att.8**

1. Atlaidiet spīlējuma skrūvi, noņemiet vadotnes turētāju un skaidu novirzītāju.
► **Att.9:** 1. Spīlējuma skrūve 2. Vadotnes turētājs 3. Skaidu novirzītājs
2. Atlaidiet skrūves un noņemiet pamatnes aizsargu.
► **Att.10:** 1. Pamatnes aizsargs 2. Skrūves
3. Novietojiet šablona vadotni uz pamatnes un uzlieciet atpakaļ pamatnes aizsargu. Pēc tam, pievelkot skrūves, nostipriniet pamatnes aizsargu.
4. Pie apstrādājamā materiāla piestipriniet šablonu. Novietojiet darbarīku uz šablona un pārvietojiet to, šablona vadotnei slīdot gar šablona malu.
► **Att.11:** 1. Apgrīzējmašīnas uzgaļš 2. Pamatne 3. Pamatnes aizsargs 4. Šablons 5. Apstrādājamais materiāls 6. Šablona vadotne

PIEZĪME: Apstrādājamais materiāls tiks izgriezts izmērā, kas nedaudz atšķiras no šablona. Paredziel attālumu (X) starp apgrīzējmašīnas uzgaļi un šablona vadotnes ārpusi. Attālumu (X) var aprēķināt ar šādu vienādojumu:

Attālums (X) = (šablona vadotnes ārējais diametrs – apgrīzējmašīnas uzgaļa diametrs)/2

Taisnā griezuma vadotne

Taisnā griezuma vadotne ir noderīga taisniem griezumiem, veidojot nošķēlumus.

► **Att.12**

1. Vadplāksni ar skrūvi un spārnuzgriezni pieskrūvējiet pie taisnā griezuma vadotnes.
► **Att.13:** 1. Skrūve 2. Vadplāksne 3. Taisnā griezuma vadotne 4. Spārnuzgrieznis
2. Noņemiet vadotnes turētāju un skaidu novirzītāju, tad taisnā griezuma vadotni nostipriniet ar spīlējuma skrūvi.
► **Att.14:** 1. Spīlējuma skrūve 2. Taisnā griezuma vadotne 3. Spārnuzgrieznis 4. Pamatne
3. Atlaidiet taisnā griezuma vadotnes spārnuzgriezni un noregulējiet attālumu starp apgrīzējmašīnas uzgaļi un taisnā griezuma vadotni. Kad vēlamais attālums noregulēts, stingri pievelciet spārnuzgriezni.
4. Griešanas darbības gaitā darbarīku pārvietojiet tā, lai taisnā griezuma vadotne pilnībā balstītos uz apstrādājamā materiāla malas.

Apgrīšanas vadotne

Ar apgrīšanas vadotni var viegli veikt apgrīšanu, lokveida griezumus mēbeļu finierī un tamlīdzīgas darbības. Vadotnes veltnītis rīpo pa izliekumu un nodrošina precīzu griezumu.

► **Att.15**

1. Skaidu novirzītāju uzstādiel pamatnes rievā.
2. Ar spīlējuma skrūvi (A) pie pamatnes pieskrūvējiet apgrīzējmašīnas vadotni un vadotnes turētāju.

3. Atlaidiet spīlējuma skrūvi (B) un, griežot regulēšanas skrūvi (1 mm apgrieziena), noregulējiet attālumu starp apgriezējmašīnas uzgali un apgriešanas vadotni. Kad attālums ir vēlamais, pievelciet spīlējuma skrūvi (B) un nostipriniet apgriešanas vadotni.

► **Att.16:** 1. Regulēšanas skrūve 2. Vadotnes turētājs 3. Apgriešanas vadotne 4. Skaidu novirzītājs

4. Griešanas darbības gaitā darbarīku pārvietojiet, slīdes veltnīti virzot gar apstrādājamā materiāla malu.

► **Att.17:** 1. Apstrādājama materiāls 2. Apgriezējmašīnas uzgali 3. Vadotnes veltnītis

APKOPE

⚠AUZMANĪBU: Pirms veikt pārbaudi vai apkopi, vienmēr pārlicinieties, ka darbarīks ir izslēgts un atvienots no barošanas.

IEVĒRĪBAI: Nekad neizmantojiet gazolīnu, benzīnu, atšķaidītāju, spirtu vai līdzīgus šķīdumus. Tas var radīt izbalēšanu, deformāciju vai plaisas.

Lai saglabātu izstrādājuma DROŠU un UZTICAMU darbību, remontdarbus, apkopi un regulēšanu uzticiet veikt tikai Makita pilnvarotam vai rūpnīcas apkopes centram, un vienmēr izmantojiet tikai Makita rezerves daļas.

Ogles suku nomaīņa

► **Att.18:** 1. Robežas atzīme

Regulāri pārbaudiet ogles suku. Kad ogles suku ir nolietojušās līdz robežas atzīmei, nomainiet tās. Turiet ogles suku tīras un pārbaudiet, vai tās brīvi ievietojas turētājos. Abas ogles suku jānomaina vienlaikus. Izmantojiet tikai identiskas ogles suku.

1. Lai noņemtu suku turētāja vāciņus, izmantojiet skrūvgriezi.

2. Izņemiet nolietojušās ogles suku, ievietojiet jaunas un nostipriniet suku turētāja vāciņus.

► **Att.19:** 1. Suku turētāja vāciņš

PAPILDU PIEDERUMI

⚠AUZMANĪBU: Šādi piederumi un papildierces tiek ieteiktas lietošanai ar šajā rokasgrāmatā aprakstīto Makita darbarīku. Izmantojot citus piederumus vai papildierces, var tikt radīta traumas gūšanas bīstamība. Piederumu vai papildierci izmantojiet tikai paredzētajam mērķim.

Ja jums vajadzīga palīdzība vai precīzāka informācija par šiem piederumiem, vērsieties savā tuvākajā Makita apkopes centrā.

PIEZĪME: Daži sarakstā norādītie izstrādājumi var būt iekļauti instrumenta komplektācijā kā standarta piederumi. Tie dažādās valstīs var būt atšķirīgi.

Apgriezējmašīnas uzgali

Taisnā griezuma uzgali

► **Att.20**

| D | A | L1 | L2 |
|------------|----|----|----|
| 6 | 20 | 50 | 15 |
| 1/4 collas | | | |
| 6 | 8 | 50 | 18 |
| 1/4 collas | | | |
| 6 | 6 | 50 | 18 |
| 1/4 collas | | | |

Mērvienība: mm

U formas riavu griešanas uzgali

► **Att.21**

| D | A | L1 | L2 | R |
|------------|---|----|----|---|
| 6 | 6 | 60 | 28 | 3 |
| 1/4 collas | | | | |

Mērvienība: mm

V formas riavu griešanas uzgali

► **Att.22**

| D | A | L1 | L2 | θ |
|------------|----|----|----|-----|
| 1/4 collas | 20 | 50 | 15 | 90° |

Mērvienība: mm

Urbja smailes vienlīmeņa apgriešanas uzgali

► **Att.23**

| D | A | L1 | L2 | L3 |
|------------|---|----|----|----|
| 6 | 6 | 60 | 18 | 28 |
| 1/4 collas | | | | |

Mērvienība: mm

Urbja smailes dubultas vienlīmeņa apgriešanas uzgali

► **Att.24**

| D | A | L1 | L2 | L3 | L4 |
|------------|---|----|----|----|----|
| 6 | 6 | 70 | 40 | 12 | 14 |
| 1/4 collas | | | | | |

Mērvienība: mm

Stūra noapaļošanas uzgali

► **Att.25**

| D | A1 | A2 | L1 | L2 | L3 | R |
|------------|----|----|----|----|----|---|
| 6 | 25 | 9 | 48 | 13 | 5 | 8 |
| 1/4 collas | | | | | | |
| 6 | 20 | 8 | 45 | 10 | 4 | 4 |
| 1/4 collas | | | | | | |

Mērvienība: mm

Nošķēluma uzgalis**► Att.26**

| D | A | L1 | L2 | L3 | θ |
|---|----|----|----|----|-----|
| 6 | 23 | 46 | 11 | 6 | 30° |
| 6 | 20 | 50 | 13 | 5 | 45° |
| 6 | 20 | 49 | 14 | 2 | 60° |

Mērvienība: mm

Iedobuma profilējuma uzgalis**► Att.27**

| D | A | L1 | L2 | R |
|---|----|----|----|---|
| 6 | 20 | 43 | 8 | 4 |
| 6 | 25 | 48 | 13 | 8 |

Mērvienība: mm

Lodišu gultņu vienlīmeņa apgrīšanas uzgalis**► Att.28**

| D | A | L1 | L2 |
|------------|----|----|----|
| 6 | 10 | 50 | 20 |
| 1/4 collas | | | |

Mērvienība: mm

Lodišu gultņu stūra noapaļošanas uzgalis**► Att.29**

| D | A1 | A2 | L1 | L2 | L3 | R |
|------------|----|----|----|----|-----|---|
| 6 | 15 | 8 | 37 | 7 | 3,5 | 3 |
| 6 | 21 | 8 | 40 | 10 | 3,5 | 6 |
| 1/4 collas | 21 | 8 | 40 | 10 | 3,5 | 6 |

Mērvienība: mm

Lodišu gultņu nošķēluma uzgalis**► Att.30**

| D | A1 | A2 | L1 | L2 | θ |
|------------|----|----|----|----|-----|
| 6 | 26 | 8 | 42 | 12 | 45° |
| 1/4 collas | | | | | |
| 6 | 20 | 8 | 41 | 11 | 60° |

Mērvienība: mm

Lodišu gultņu profilējuma uzgalis**► Att.31**

| D | A1 | A2 | A3 | L1 | L2 | L3 | R |
|---|----|----|----|----|----|-----|---|
| 6 | 20 | 12 | 8 | 40 | 10 | 5,5 | 4 |
| 6 | 26 | 12 | 8 | 42 | 12 | 4,5 | 7 |

Mērvienība: mm

Lodišu gultņu iedobuma profilējuma uzgalis**► Att.32**

| D | A1 | A2 | A3 | A4 | L1 | L2 | L3 | R |
|---|----|----|----|----|----|----|-----|---|
| 6 | 20 | 18 | 12 | 8 | 40 | 10 | 5,5 | 3 |
| 6 | 26 | 22 | 12 | 8 | 42 | 12 | 5 | 5 |

Mērvienība: mm

Lodišu gultņu romiešu stila profilējuma uzgalis**► Att.33**

| D | A1 | A2 | L1 | L2 | L3 | R1 | R2 |
|---|----|----|----|----|-----|-----|-----|
| 6 | 20 | 8 | 40 | 10 | 4,5 | 2,5 | 4,5 |
| 6 | 26 | 8 | 42 | 12 | 4,5 | 3 | 6 |

Mērvienība: mm

SPECIFIKACIJOS

| Modelis: | M3702 |
|------------------------|--------------------------------|
| Įvorės griebtuvo dydis | 6,35 mm (1/4 col.) arba 6,0 mm |
| Be apkrovos | 35 000 min ⁻¹ |
| Bendrasis aukštis | 211 mm |
| Grynasis svoris | 1,5 kg |
| Saugos klasė | II |

- Atliekame tęstinius tyrimus ir nuolatos tobuliname savo gaminius, todėl čia pateikiamos specifikacijos gali būti keičiamos be įspėjimo.
- Skirtingose šalyse specifikacijos gali skirtis.
- Svoris pagal EPTA 2014 m. sausio mėn. procedūrą

Numatytoji naudojimo paskirtis

Šis įrankis yra skirtas laminato lakštų ar panašių medžiagų kraštams apdailinti.

Elektros energijos tiekimas

Įrenginiui turi būti tiekama tokios įtampos elektros energija, kaip nurodyta duomenų lentelėje; įrenginys veikia tik su vien-faze kintamąja srove. Jie yra dvigubai izoliuoti, todėl gali būti naudojami prijungus prie elektros lizdo be įžeminimo laido.

Triukšmas

Įprastas triukšmo A lygis, nustatytas pagal 62841-2-17: Garso slėgio lygis (L_{pA}): 83 dB (A)
Garso galios lygis (L_{WA}): 94 dB (A)
Paklaida (K): 3 dB (A)

PASTABA: Paskelbta (-os) triukšmo reikšmė (-ės) nustatyta (-os) pagal standartinį testavimo metodą ir ji galima naudoti vienam įrankiui palyginti su kitu.

PASTABA: Paskelbta (-os) triukšmo reikšmė (-ės) taip pat gali būti naudojama (-os) norint preliminariai įvertinti triukšmo poveikį.

ĮSPĖJIMAS: Dėvėkite ausų apsaugą.

ĮSPĖJIMAS: Faktiškai naudojant elektrinį įrankį, keliamo triukšmo dydis gali skirtis nuo paskelbtos (-ų) reikšmės (-ių), priklausomai nuo būdu, kuriais yra naudojamas šis įrankis, ir ypač nuo to, kokio tipo ruošinys apdirbamas.

ĮSPĖJIMAS: Siekdami apsaugoti operatorių, būtina įvertinkite saugos priemones, remdamiesi vibracijos poveikio įvertinimu esant faktinėms naudojimo sąlygoms (atsižvelgdami į visas darbo ciklo dalis, pavyzdžiui, ne tik kiek laiko įrankis veikia, bet ir kiek kartų jis yra išjungiamas bei kai jis veikia be apkrovų).

Vibracija

Vibracijos bendroji vertė (trიაšio vektoriaus suma) nustatyta pagal 62841-2-17 standartą:

Darbo režimas: gręžimas be kalimo

Vibracijos emisija (a_h): 2,5 m/s² arba mažiau

Paklaida (K): 1,5 m/s²

PASTABA: Paskelbta (-os) vibracijos bendroji (-osios) reikšmė (-ės) nustatyta (-os) pagal standartinį testavimo metodą ir ji galima naudoti vienam įrankiui palyginti su kitu.

PASTABA: Paskelbta (-os) vibracijos bendroji (-osios) reikšmė (-ės) taip pat gali būti naudojama (-os) norint preliminariai įvertinti vibracijos poveikį.

ĮSPĖJIMAS: Faktiškai naudojant elektrinį įrankį, keliamos vibracijos dydis gali skirtis nuo paskelbtos (-ų) reikšmės (-ių), priklausomai nuo būdu, kuriais yra naudojamas šis įrankis, ir ypač nuo to, kokio tipo ruošinys apdirbamas.

ĮSPĖJIMAS: Siekdami apsaugoti operatorių, būtina įvertinkite saugos priemones, remdamiesi vibracijos poveikio įvertinimu esant faktinėms naudojimo sąlygoms (atsižvelgdami į visas darbo ciklo dalis, pavyzdžiui, ne tik kiek laiko įrankis veikia, bet ir kiek kartų jis yra išjungiamas bei kai jis veikia be apkrovų).

EB atitikties deklaracija

Tik Europos šalims

EB atitikties deklaracija yra pridama kaip šio instrukcijų vadovo A priedas.

SAUGOS ĮSPĖJIMAI

Bendrieji įspėjimai dirbant elektriniais įrankiais

ĮSPĖJIMAS: Perskaitykite visus saugos įspėjimus, instrukcijas, iliustracijas ir techninius duomenis, pateiktus kartu su šiuo elektriniu įrankiu. Nesilaikant visų toliau išvardytų instrukcijų galima patirti elektros smūgi, gali kilti gaisras ir (arba) galima sunkiai susižaloti.

Išsaugokite visus įspėjimus ir instrukcijas, kad galėtumėte jas peržiūrėti ateityje.

Terminas „elektrinis įrankis“ pateiktuose įspėjimuose reiškia į maitinimo tinklą jungiamą (laidinį) elektrinį įrankį arba akumuliatoriaus maitinamą (belaidį) elektrinį įrankį.

Saugos įspėjimai dėl profiliavimo staklių naudojimo

1. Laikykite elektrinį įrankį tik už izoliuotų, laikyti skirtų vietų, nes įjaujus juos gali užkliudyti savo paties laidą. Įpjovus laidą, kuriuo teka srovė, įtampa gali būti perduota neizoliuotoms metalinėms elektrinio įrankio dalims ir operatorius gali gauti elektros smūgį.
2. Ruošinį ant stabilios platformos tvirtinkite spaustuvais arba kitais parankiais būdais. Laikant ruošinį rankomis arba atrėmus jį save, jis nėra stabilus – galite prarasti kontrolę.
3. Profiliavimo staklių frezos jungiamasis galas turi sutapti su numatytos įvorės griebtuvu.
4. Naudokite tik profiliavimo staklių frežą, kurios vardinis greitis yra bent jau lygus įrankio nurodytam didžiausiam veikimo greičiui.
5. Jei ketinate dirbti ilgai, naudokite klausos apsaugines priemones.
6. Su profiliavimo staklių frezomis elkitės labai atsargiai.
7. Prieš naudodami patikrinkite profiliavimo staklių frežą, ar nėra įtrūkimų ar pažeidimų. Nedelsdami pakeiskite įtrūkusią arba pažeistą frežą.
8. Nepajaukite vinių. Prieš dirbdami apžiūrėkite ruošinį ir išimkite visas vini.
9. Tvirtai laikykite įrankį.
10. Laikykite rankas toliau nuo sukamųjų dalių.
11. Prieš įjungdami jungiklį, patikrinkite, ar profiliavimo staklių freza neličia ruošinio.
12. Prieš naudodami įrankį su ruošiniu, leiskite jam kurį laiką veikti be apkrovos. Jei pastebėsite vibraciją arba klībėjimą, tai gali rodyti, kad freza netinkamai įstatyta.
13. Atkreipkite dėmesį į profiliavimo staklių frezos sukimosi kryptį ir tiekimo kryptį.
14. Nepalikite veikiančio įrankio. Naudokite įrankį tik laikydami rankomis.
15. Prieš ištraukdami įrankį iš ruošinio, būtina išjungite ir palaukite, kol profiliavimo staklių freza visiškai sustos.
16. Nelieskite profiliavimo staklių frezos iškart po naudojimo; jis gali būti itin karštas ir nudeginti odą.
17. Saugokitės, kad neišteptumėte pagrindo skiedikliu, benzinu, alyva ir pan. Jie gali suskaldyti pagrindą.
18. Kai kuriose medžiagose esama cheminių medžiagų, kurios gali būti nuodingos. Saugokitės, kad neįkvėptumėte dulkių ir nesiliestumėte oda. Laikykitės medžiagų tiekėjo saugos duomenų.
19. Atsivėlgdami į apdirbamą medžiagą ir darbo pobūdį, būtina užsidėkite kaukę nuo dulkių / respiratorių.
20. Padėkite įrankį stabilioje vietoje. Priešingu atveju jis gali nukristi ir sužaloti.

SAUGOKITE ŠIAS INSTRUKCIJAS.

⚠️ ĮSPĖJIMAS: NELEISKITE, kad patogumas ir gaminio pažinimas (įgyjamas pakartotiniai naudojant) susilpnintų griežtą saugos taisyklių, taikytinų šiam gaminiui, laikymąsi. Dėl NETINKAMO NAUDOJIMO arba saugos taisyklių, kurios pateiktos šioje instrukcijoje, nesilaikymo galima rimtai susižeisti.

VEIKIMO APRAŠYMAS

⚠️ PERSPĖJIMAS: Prieš pradėdami reguliuoti arba tikrinti įrankio veikimą, visuomet būtina išjungite įrankį ir atjunkite jį nuo maitinimo tinklo.

Profiliavimo staklių frezos išsikišimo reguliavimas

Norėdami pareguliuoti frezos išsikišimą, atsukite suveržimo varžtą ir pakreipkite pagrindą norimu kampu aukščiau arba žemyn. Nustatę užtvirtinkite pagrindą padėty, tvirtai užverždami suveržimo varžtą.

- **Pav.1:** 1. Pagrindas 2. Skalė 3. Frezos išsikišimas 4. Suveržimo varžtas

Jungiklio veikimas

⚠️ PERSPĖJIMAS: Prieš įjungdami įrenginio laido kištuką į tinklą visada patikrinkite, ar įrenginys išjungtas naudojant jungiklį.

Jeigu įrankį norite įjungti, pastumkite svirtinį jungiklį į padėtį „I“ (įjungta). Jeigu įrankį norite išjungti, pastumkite svirtinį jungiklį į padėtį „O“ (išjungta).

- **Pav.2:** 1. Svirtinis jungiklis

Elektroninė funkcija

Prietaise yra elektroninė funkcija paprastam naudojimui.

Indikacinė lemputė

- **Pav.3:** 1. Indikatoriaus lemputė

Įjungus įrankį, užsidega žalia įjungimo indikacinė lemputė. Jei indikacinė lemputė neužsidega, gali būti nutrukęs maitinimo laidas arba perdegusi indikacinė lemputė. Jei indikacinė lemputė šviečia, bet įrankis neveikia, nors yra įjungtas, gali būti susidėvėję angliniai šepetėliai arba sugedęs valdiklis, variklis ar ĮJUNGIMO / IŠJUNGIMO jungiklis.

Netyčinio pakartotinio paleidimo patikrinimas

Įrankis neįsijungia, kai svirtinis jungiklis yra „I“ padėtyje, net jei įrankis prijungtas prie maitinimo tinklo. Šiuo metu raudonai mirksi indikacinė lemputė ir rodoma, kad veikia netyčinio pakartotinio paleidimo patvirtinimo prietaisas.

Norėdami atšaukti apsaugos nuo netyčinio pakartotinio paleidimo funkciją, grąžinkite svirtinį jungiklį į padėtį „O“.

Tolygaus įjungimo funkcija

Švelnaus paleidimo funkcija iki minimumo sumažina paleidimo smūgį ir leidžia sklandžiai paleisti įrankį.

SURINKIMAS

⚠️ PERSPĖJIMAS: Prieš ką nors darydami su įrankiu, visada patikrinkite, ar jis išjungtas, o laido kištukas ištrauktas iš elektros lizdo.

Profilavimo antgalių įdėjimas ir išėmimas

⚠️ PERSPĖJIMAS: Neužveržkite įvorės veržlės, prieš tai neįkišę profilavimo staklių frezos, nes sulūš įvorės kūgis.

⚠️ PERSPĖJIMAS: Naudokite tik su įrankiu pateiktus veržliarakčius.

Iki galo į įvorės kūgį įkiškite profilavimo staklių frežą ir tvirtai dviem veržliarakčiais užveržkite įvorės veržlę. Jei norite nuimti frežą, laikykitės uždėjimo procedūros atvirkščia tvarka.

► **Pav.4:** 1. Atlaisvinti 2. Priveržti 3. Laikyti

NAUDOJIMAS

⚠️ PERSPĖJIMAS: Viena ranka visuomet tvirtai laikykite įrankį už korpuso. Nelieskite metalinės dalies.

1. Padėkite pagrindą ant ruošinio, kurį pjausite, taip, kad profilavimo staklių freza ruošinio nelieštų.
 2. Įjunkite įrankį ir palaukite, kol profilavimo staklių freza pradės sukintis visu greičiu.
 3. Stumkite įrankį pirmyn virš ruošinio paviršiaus, pagrindą laikykite lygiai ir tolygiai stumkite į priekį, kol baigsite pjauti.
- **Pav.5**

Pjaunant kraštą, ruošinio paviršius turi būti iš kairės profilavimo staklių frezos pusės, nukreiptas stūmimo kryptimi.

- **Pav.6:** 1. Ruošiny 2. Frezos sukimosi kryptis 3. Vaizdas iš įrankio viršaus 4. Tiekimo kryptis

Naudodami tiesųjį kreiptuvą arba profiliuotą kreiptuvą, būtinai naudokite jį dešinėje pusėje, stūmimo kryptimi. Taip jis bus sutapdintas su ruošinio šonu.

- **Pav.7:** 1. Tiekimo kryptis 2. Frezos sukimosi kryptis 3. Ruošiny 4. Tiesusis kreiptuvas

PASTABA: Per greitai stumiant įrankį į priekį, pjūvis gali būti prastos kokybės arba galima sugadinti profilavimo staklių frežą ar variklį. Per lėtai stumiant įrankį, pjūvis gali būti nudegintas arba sugadintas. Tinkamas įrankio stūmimo tempas priklauso nuo frezos dydžio, ruošinio rūšies ir pjovimo gylio. Prieš pradėdami pjauti, rekomenduotina atlikti bandomąjį pjūvį, naudojant medienos gabalėlį. Taip tiksliai pamatysite, kaip atrodys pjūvis, ir galėsite patikrinti matmenis.

Lekalo kreiptuvas

Lekalo kreiptuvas turi movą, pro kurią praeina profilavimo staklių freza, todėl profilavimo įrankiu galima išpjauti modelius pagal lekalus.

► **Pav.8**

1. Atsukite suveržimo varžtą, tada nuimkite kreiptuvo laikiklį ir skiedrų kreiptuvą.

► **Pav.9:** 1. Suveržimo varžtas 2. Kreiptuvo laikiklis 3. Skiedrų kreiptuvas

2. Atsukite varžtus ir nuimkite pagrindo apsaugą.

► **Pav.10:** 1. Pagrindo apsauga 2. Varžtai

3. Padėkite lekalą ant pagrindo ir vėl uždėkite pagrindo apsaugą. Tada priveržkite pagrindo apsaugą varžtais.

4. Pritvirtinkite lekalą prie ruošinio. Dėkite įrankį ant lekalą ir kartu su lekalu kreiptuvu slinkite išilgai lekalą šono.

► **Pav.11:** 1. Profilavimo staklių freza 2. Pagrindas 3. Pagrindo apsauga 4. Lekalas 5. Ruošiny 6. Lekalo kreiptuvas

PASTABA: Pjoviny bus išpjautas truputį tikotiko dydžio nei lekalas. Tarp profilavimo staklių frezos ir išorinio lekalą kreiptuvo krašto palikite (X) atstumą. (X) atstumą galima apskaičiuoti, naudojant tokią lygtį:
(X) atstumas = (lekalą kreiptuvo išorinis skersmuo - profilavimo staklių frezos skersmuo) / 2

Tiesusis kreiptuvas

Tiesusis kreiptuvas yra efektyviai naudojamas tiesiems pjūviams, išpjaunant išėmas.

► **Pav.12**

1. Prie tiesiojo kreiptuvo varžtu ir sparnuotąją veržlę pritvirtinkite kreiptuvo plokštę.

► **Pav.13:** 1. Varžtas 2. Kreiptuvo plokštė 3. Tiesusis kreiptuvas 4. Sparnuotoji veržlė

2. Nuimkite kreiptuvo laikiklį ir skiedrų kreiptuvą, tada pritvirtinkite tiesųjį kreiptuvą su suveržimo varžtu.

► **Pav.14:** 1. Suveržimo varžtas 2. Tiesusis kreiptuvas 3. Sparnuotoji veržlė 4. Pagrindas

3. Atlaisvinkite sparnuotąją veržlę, esančią ant tiesiojo kreiptuvo ir pareguliuokite atstumą tarp profilavimo staklių frezos ir tiesiojo kreiptuvo. Nustatę norimą atstumą, tvirtai užveržkite sparnuotąją veržlę.

4. Pjaudami stumkite įrankį su tiesiuoju kreiptuvu, sulygiavę jį su ruošinio kraštu.

Profilavimo staklių kreiptuvas

Profilavimo kreiptuvu galima lengvai atlikti profilinius, lenktus pjūvius baldams skirtose faneros plokštėse. Kreiptuvo velenėlis slenka kreive ir užtikrina tikslų pjūvį.

► **Pav.15**

1. Pritvirtinkite skiedrų kreiptuvą ant pagrindo esančio griovelio.

2. Suveržimo varžtu (A) ant pagrindo sumontuokite profilavimo staklių kreiptuvą ir kreiptuvo laikiklį.

3. Atlaisvinkite suveržimo varžtą (B) ir, sukdami reguliavimo varžtą (1 mm/sukiu), pareguliuokite atstumą tarp profiliavimo staklių frezos ir profiliavimo kreiptuvo. Nustatę norimą atstumą, užveržkite suveržimo varžtą (B), kad profiliavimo staklių kreiptuvus nejudėtų.
- **Pav.16:** 1. Reguliavimo varžtas 2. Kreiptuvo laikiklis 3. Profiliavimo staklių kreiptuvus 4. Skiedrų kreiptuvus

4. Pjaudami, stumkite įrankį taip, kad kreiptuvo velenėlis slystų ruošinio šonu.

- **Pav.17:** 1. Ruošinys 2. Profiliavimo staklių freza 3. Kreiptuvo velenėlis

TECHNINĖ PRIEŽIŪRA

⚠PERSPĖJIMAS: Prieš pradėdami įrankio tikrinimo arba techninės priežiūros darbus, visuomet būtinai išjunkite įrankį ir atjunkite jį nuo maitinimo tinklo.

PASTABA: Niekada nenaudokite gazolino, benzino, tirpiklio, spirito arba panašių medžiagų. Gali atsirasti išblukimų, deformacijų arba įtrūkimų.

Kad gaminyje būtų SAUGUS ir PATIKIMAS, jį taisyti, apžiūrėti ar vykdyti bet kokią kitą priežiūrą ar derinimą turi įgaliotasis kompanijos „Makita“ techninės priežiūros centras; reikia naudoti tik kompanijos „Makita“ pagamintus atsargines dalis.

Anglinių šepetėlių keitimas

- **Pav.18:** 1. Ribos žymė

Reguliariai patikrinkite anglinius šepetėlius. Pakeiskite juos, kai nusidėvi iki ribos žymės. Laikykite anglinius šepetėlius švarius ir tikrinkite, ar jie laisvai įslenka į laikiklius. Abu angliniai šepetėliai turėtų būti keičiami tuo pačiu metu. Naudokite tik identiškus anglinius šepetėlius.

1. Jei norite nuimti šepetėlių laikiklių dangtelius, pasi- naudokite atsuktuvu.
 2. Išimkite sudėvėtus anglinius šepetėlius, įdėkite naujus ir įtvirtinkite šepetėlių laikiklio dangtelį.
- **Pav.19:** 1. Šepetėlio laikiklio dangtelis

PASIRENKAMI PRIEDAI

⚠PERSPĖJIMAS: Šiuos papildomus priedus arba įtaisus rekomenduojama naudoti su šioje instrukcijoje nurodytu „Makita“ bendrovės įrankiu. Naudojant bet kokius kitus papildomus priedus arba įtaisus, gali kilti pavojus sužeisti žmones. Naudokite tik nurodytam tikslui skirtus papildomus priedus arba įtaisus.

Jeigu norite daugiau sužinoti apie tuos priedus, kreipkitės į artimiausią „Makita“ techninės priežiūros centrą.

PASTABA: Kai kurie sąraše esantys priedai gali būti pateikti įrankio pakuotėje kaip standartiniai priedai. Jie įvairiose šalyse gali skirtis.

Profilavimo staklių frezos

Tiesioji freza

► **Pav.20**

| D | A | L1 | L2 |
|----------|----|----|----|
| 6 | 20 | 50 | 15 |
| 1/4 col. | | | |
| 6 | 8 | 50 | 18 |
| 1/4 col. | | | |
| 6 | 6 | 50 | 18 |
| 1/4 col. | | | |

Vienetas:mm

U griovelio freza

► **Pav.21**

| D | A | L1 | L2 | R |
|----------|---|----|----|---|
| 6 | 6 | 60 | 28 | 3 |
| 1/4 col. | | | | |

Vienetas:mm

V griovelio freza

► **Pav.22**

| D | A | L1 | L2 | θ |
|----------|----|----|----|-----|
| 1/4 col. | 20 | 50 | 15 | 90° |

Vienetas:mm

Grąžtas-profilavimo freza

► **Pav.23**

| D | A | L1 | L2 | L3 |
|----------|---|----|----|----|
| 6 | 6 | 60 | 18 | 28 |
| 1/4 col. | | | | |

Vienetas:mm

Grąžtas-dvigubo profiliavimo freza

► **Pav.24**

| D | A | L1 | L2 | L3 | L4 |
|----------|---|----|----|----|----|
| 6 | 6 | 70 | 40 | 12 | 14 |
| 1/4 col. | | | | | |

Vienetas:mm

Kampų apvalinimo freza

► **Pav.25**

| D | A1 | A2 | L1 | L2 | L3 | R |
|----------|----|----|----|----|----|---|
| 6 | 25 | 9 | 48 | 13 | 5 | 8 |
| 1/4 col. | | | | | | |
| 6 | 20 | 8 | 45 | 10 | 4 | 4 |
| 1/4 col. | | | | | | |

Vienetas:mm

Briaunų nuskvelbimo freza**► Pav.26**

| D | A | L1 | L2 | L3 | θ |
|---|----|----|----|----|-----|
| 6 | 23 | 46 | 11 | 6 | 30° |
| 6 | 20 | 50 | 13 | 5 | 45° |
| 6 | 20 | 49 | 14 | 2 | 60° |

Vienetas:mm

Skliauto ornamento pjovimo freza**► Pav.27**

| D | A | L1 | L2 | R |
|---|----|----|----|---|
| 6 | 20 | 43 | 8 | 4 |
| 6 | 25 | 48 | 13 | 8 |

Vienetas:mm

Guolinė profiliavimo freza**► Pav.28**

| D | A | L1 | L2 |
|----------|----|----|----|
| 6 | 10 | 50 | 20 |
| 1/4 col. | | | |

Vienetas:mm

Guolinė kampų apvalinimo freza**► Pav.29**

| D | A1 | A2 | L1 | L2 | L3 | R |
|----------|----|----|----|----|-----|---|
| 6 | 15 | 8 | 37 | 7 | 3,5 | 3 |
| 6 | 21 | 8 | 40 | 10 | 3,5 | 6 |
| 1/4 col. | 21 | 8 | 40 | 10 | 3,5 | 6 |

Vienetas:mm

Guolinė briaunų nuskvelbimo freza**► Pav.30**

| D | A1 | A2 | L1 | L2 | θ |
|----------|----|----|----|----|-----|
| 6 | 26 | 8 | 42 | 12 | 45° |
| 1/4 col. | | | | | |
| 6 | 20 | 8 | 41 | 11 | 60° |

Vienetas:mm

Guolinė ornamentų pjovimo freza**► Pav.31**

| D | A1 | A2 | A3 | L1 | L2 | L3 | R |
|---|----|----|----|----|----|-----|---|
| 6 | 20 | 12 | 8 | 40 | 10 | 5,5 | 4 |
| 6 | 26 | 12 | 8 | 42 | 12 | 4,5 | 7 |

Vienetas:mm

Guolinė skliauto ornamento pjovimo freza**► Pav.32**

| D | A1 | A2 | A3 | A4 | L1 | L2 | L3 | R |
|---|----|----|----|----|----|----|-----|---|
| 6 | 20 | 18 | 12 | 8 | 40 | 10 | 5,5 | 3 |
| 6 | 26 | 22 | 12 | 8 | 42 | 12 | 5 | 5 |

Vienetas:mm

Guolinė romėniškos „S“ pavidalo kreivės freza**► Pav.33**

| D | A1 | A2 | L1 | L2 | L3 | R1 | R2 |
|---|----|----|----|----|-----|-----|-----|
| 6 | 20 | 8 | 40 | 10 | 4,5 | 2,5 | 4,5 |
| 6 | 26 | 8 | 42 | 12 | 4,5 | 3 | 6 |

Vienetas:mm

TEHNILISED ANDMED

| | |
|---------------------|---------------------------|
| Mudel: | M3702 |
| Tsangpadruni suurus | 6,35 mm (1/4") või 6,0 mm |
| Koormuseta kiirus | 35 000 min ⁻¹ |
| Üldkõrgus | 211 mm |
| Netokaal | 1,5 kg |
| Ohutusklass | □/II |

- Meie pideva uuringu- ja arendusprogrammi tõttu võidakse tehnilisi andmeid muuta ilma sellest ette teatamata.
- Tehnilised andmed võivad riigiti erineda.
- Kaal EPTA-protseduuri 01/2014 kohaselt

Kavandatud kasutus

Tööriist on ette nähtud laminaatpleki või teiste sarnaste materjalide servamiseks.

Vooluvarustus

Seadet võib ühendada ainult andmesildil näidatud pingega vooluvõrku ning seda saab kasutada ainult ühefaasilisel vahelduvvoolutoitel. Seadmel on kahe-kordne isolatsioon ning seega võib seda kasutada ka ilma maandusjuhtmeta pistikupessa ühendatult.

Müra

Tüüpiline A-korrigeeritud müratase, määratud standardi 62841-2-17 kohaselt:

Helirõhutase (L_{pA}): 83 dB (A)

Helivõimsuse tase (L_{WA}): 94 dB (A)

Määramatus (K): 3 dB (A)

MÄRKUS: Deklareeritud müra väärtust (väärtuseid) on mõõdetud kooskõlas standardse katsemeetodiga ning seda võib kasutada ühe seadme võrdlemiseks teisega.

MÄRKUS: Deklareeritud müra väärtust (väärtuseid) võib kasutada ka mürataseme esmaseks hindamiseks.

⚠️HOIATUS: Kasutage kõrvakaitsmeid.

⚠️HOIATUS: Müratase võib elektritööriista tege-
likkuses kasutamise ajal erineda deklareeritud
väärtus(t)est olenevalt tööriista kasutusviisidest
ja eriti töödeldavast toorikust.

⚠️HOIATUS: Rakendage operaatori kaitsmi-
seks kindlasti piisavaid ohutusabinõusid, mis
põhinevad hinnangulisel müratasemel tegelikus
töösituatsioonis (võttes arvesse tööperioodi kõiki
osasid, näiteks korrad, kui seade lülitatakse välja
ja seade töötab tühikäigul, lisaks tööajale).

Vibratsioon

Vibratsiooni koguväärtus (kolmeteljeliste vektorite summa) määratud standardi 62841-2-17 kohaselt:

Töörežiim: pöörlemine ilma koormuseta

Vibratsiooniheid (a_n): 2,5 m/s² või vähem

Määramatus (K): 1,5 m/s²

MÄRKUS: Deklareeritud vibratsiooni koguväärtust (-väärtuseid) on mõõdetud kooskõlas standardse katsemeetodiga ning seda võib kasutada ühe seadme võrdlemiseks teisega.

MÄRKUS: Deklareeritud vibratsiooni koguväärtust (-väärtuseid) võib kasutada ka mürataseme esmaseks hindamiseks.

⚠️HOIATUS: Vibratsioonitase võib elektritööriista tegelikuses kasutamise ajal erineda deklareeritud väärtus(t)est olenevalt tööriista kasutusviisidest ja eriti töödeldavast toorikust.

⚠️HOIATUS: Rakendage operaatori kaitsmi-
seks kindlasti piisavaid ohutusabinõusid, mis
põhinevad hinnangulisel müratasemel tegelikus
töösituatsioonis (võttes arvesse tööperioodi kõiki
osasid, näiteks korrad, kui seade lülitatakse välja
ja seade töötab tühikäigul, lisaks tööajale).

EÜ vastavusdeklaratsioon

Ainult Euroopa riikide puhul

EÜ vastavusdeklaratsioon sisaldub käesoleva juhendi Lisas A.

OHUTUSHOIATUSED

Üldised elektritööriistade ohutushoiatused

⚠️HOIATUS: Lugege läbi kõik selle elektritööriistaga kaasas olevad ohutushoiatused, juhised, joonised ja tehnilised andmed. Järgnevate juhiste eiramine võib põhjustada elektrilöögi, süttimise ja/või raske kehavigastuse.

Hoidke edaspidisteks viide- teks alles kõik hoiatused ja juhtnöörid.

Hoiatustes kasutatud termini „elektritööriist“ all peetakse silmas elektriga töötavaid (juhtmega) elektritööriistu või akuga töötavaid (juhtmata) elektritööriistu.

Servamismasina ohutusõuded

1. Hoidke elektritööriista üksnes isoleeritud haardepindadest, kuna lõiketera võib puutuda vastu seadme enda toitejuhet. Voolu all oleva juhtmega kokku puutuv lõiketera võib pingestada elektritööriista metallosi ja põhjustada kasutajale elektrilöögi.
2. Kasutage klambreid või mõnda muud sobivat viisi töödeldava detaili kinnitamiseks ja toetamiseks stabiilsele alusele. Töödeldava detaili hoidmisel käega või selle toetamisel vastu keha on detail ebastabiilses asendis ning võib põhjustada kontrolli kaotust.
3. Servamismasina otsaku vars peab sobituma kavandatud tsangpadruniga.
4. Kasutage ainult servamismasina otsakut, mille maksimaalne kiirus on vähemalt võrdne tööriistale märgituga.
5. Pikema tööperioodi kestel kandke kuulumiskaitsevahendeid.
6. Käsitsege servamismasina otsakuid väga ettevaatlikult.
7. Enne toimingute tegemist kontrollige hoolikalt, et servamismasina otsakul poleks mörasid ega kahjustusi. Asendage pragunenud või vigastatud otsak viivitamatult.
8. Vältige naeltesse sisselõikamist. Enne toimingute tegemist kontrollige töödeldavat detaili ja eemaldage sellest kõik naelad.
9. Hoidke tööriistast kindlalt kinni.
10. Hoidke käed pöörlevatest osadest eemal.
11. Veenduge, et servamisotsak ei puudutaks töödeldavat detaili enne tööriista sisselülitamist.
12. Enne tööriista kasutamist töödeldaval esemel laske sellel mõnda aega koormuseta töötada. Jälgige vibratsiooni või vibamist, mis võib viidata valesti paigaldatud lõikeotsakule.
13. Olge tähelepanelik servamisotsaku pöörlemis- ja etteandesuuna suhtes.
14. Ärge jätkke tööriista käima. Käivitage tööriist ainult siis, kui hoiate seda käes.
15. Enne tööriista eemaldamist töödeldavast detailist lülitage tööriist alati vooluvõrgust välja ja oodake, kuni servamisotsak on täielikult seiskunud.
16. Ärge puudutage servamisotsakut vahetult pärast toimingute lõpetamist; see võib olla väga kuum ja põhjustada põletushaavu.
17. Ärge määrige alust hoolimatult lahusti, bensiini, õli või muu sarnasega. Need võivad põhjustada aluse pragunemise.
18. Mõned materjalid võivad sisaldada mürgiseid aineid. Võtke meetmed tolmude sissehingamise ja nahaga kokkupuute vältimiseks. Järgige materjali tarnija ohutusteavet.
19. Kasutage alati õiget tolmumaski/respiraatorit, mis vastab materjalile ja rakendusele, millega töötate.
20. Asetage tööriist stabiilsele pinnale. Muidu võib seade maha kukkuda ja vigastusi tekitada.

HOIDKE JUHEND ALLES.

⚠️HOIATUS: ÄRGE UNUSTAGE järgida toote ohutusnõudeid mugavuse või toote (korduskasutamise saavutatud) hea tundmise tõttu. VALE KASUTUS või kasutusjuhendi ohutuseeskirjade eiramine võib põhjustada tervisekahjustusi.

FUNKTSIONAALNE KIRJELDUS

⚠️ETTEVAATUST: Kandke alati hoolt selle eest, et tööriist oleks enne reguleerimist ja kontrollimist välja lülitatud ja vooluvõrgust lahti ühendatud.

Servamisotsaku kauguse reguleerimine

Otsaku kauguse reguleerimiseks lödvendage kinnituskrui vi ja nihutage alust soovi järgi üles või alla. Pärast reguleerimist keerake kinnituskrui korralikult kinni, et alus fikseerida.

- **Joon.1:** 1. Alus 2. Skaala 3. Otsaku väljaulatumine
4. Kinnituskrui

Lüliti töötamine

⚠️ETTEVAATUST: Kandke enne tööriista vooluvõrku ühendamist alati hoolt selle eest, et tööriist oleks välja lülitatud.

Tööriista käivitamiseks viige lüliti päästik asendisse I. Tööriista seiskamiseks viige lüliti päästik asendisse O.
► **Joon.2:** 1. Hooblüliti

Elektroniline funktsioon

Tööriist on varustatud lihtsama kasutamise jaoks elektroniliste funktsioonidega.

Märgutuli

- **Joon.3:** 1. Märgutuli

Roheline toite märgutuli süttib, kui tööriist on vooluvõrku ühendatud. Kui märgutuli ei sütti, on võimalik, et toitejuhe või juhtseade on defektne. Kui märgutuli on valgustunud, kuid tööriist ei käivitu ka sisselülitamisel, võib selle põhjuseks olla süsiharjade kulumine või kontrolleri, mootori või lüliti „ON” (Sisse lülitatud) / „OFF” (Välja lülitatud) rike.

Tahtmatu taaskäivituse tõestus

Tööriist ei käivitu, kui lüliti on asendis „I”, isegi kui tööriist on pistikuga ühendatud. Sellisel puhul vilgub märgutuli punaselt ja näitab, et tahtmatu taaskäivitamise kinnituse seade töötab. Tahtmatu taaskäivitamise kinnituse tühistamiseks viige lüliti päästik tagasi asendisse „O”.

Sujuvkäivituse funktsioon

Sujuvkäivituse funktsioon minimeerib käivitamisel tagasilööki ja võimaldab tööriistal sujuvalt käivituda.

KOKKUPANEK

⚠ ETTEVAATUST: Enne tööriistal mingite tööde tegemist kandke alati hoolt selle eest, et see oleks välja lülitatud ja vooluvõrgust lahti ühendatud.

Servamisotsaku paigaldamine või eemaldamine

⚠ ETTEVAATUST: Ärge pingutage tsangmutrit servamisotsakut sisse panemata, sest muidu läheb tsangkoonus katki.

⚠ ETTEVAATUST: Kasutage üksnes tööriistaga kaasas olevaid mutrivõtmeid.

Sisestage servamisotsak lõpuni tsangkoonusesse ja kinnitage tsangmutter korralikult kahe mutrivõtme abil. Otsaku eemaldamiseks järgige paigaldamise protseduuri vastupidises järjekorras.

► **Joon.4:** 1. Vabastage 2. Pingutage 3. Hoidke

TÖÖRIISTA KASUTAMINE

⚠ ETTEVAATUST: Hoidke tööriista alati kindlat käes, üks käsi kerel. Ärge puudutage metallist osa.

1. Asetage alus lõigatavale detailile, ilma et servamisotsak detaili vastu puutuks.
 2. Lülitage tööriist sisse ja oodake, kuni servamisotsak saavutab täiskiiruse.
 3. Liikuge tööriistaga üle töödeldava detaili pinna, hoides alust sellega kokakuti ja tehes löike sujuvalt lõpuni.
- **Joon.5**

Servade lõikamisel peab töödeldava detaili pind jääma seadme liikumise suunas, vaadatuna servamisotsakust vasakule.

► **Joon.6:** 1. Töödeldav detail 2. Otsaku pöörlemis-suund 3. Vaade tööriista pealt 4. Etteande suund

Sirg- või servamisjuhiku kasutamisel hoidke seda kindlasti seadme liikumise suunas, vaadatuna otsakust paremale. Sel juhul on lihtsam juhikut töödeldava pinna servaga kokakuti hoida.

► **Joon.7:** 1. Etteande suund 2. Otsaku pöörlemis-suund 3. Töödeldav detail 4. Sirgjuhik

MÄRKUS: Kui tööriista nihutatakse edasi liiga kiiresti, võib see põhjustada löike halva kvaliteedi või kahjustada servamisotsakut või mootorit. Kui tööriista nihutatakse edasi liiga aeglaselt, võib see löikekohta kõrvetada ja kahjustada. Õige edasiliikumise kiirus sõltub kasutatava otsaku suurusest, töödeldavast materjalist ja löikesügavusest. Enne töö alustamist tegelikult töödeldaval pinnal on soovitatav teha sarnasest materjalist ülelliselt saematerjalitükil proovilõikamine. Nii teate täpselt, kuidas löige välja näeb, ning saate kontrollida mõtte.

Šabloonjuhik

Šabloonjuhik moodustab otsakule läbimiseks kanali, võimaldades servamismasinat kasutada šabloonidega.

► **Joon.8**

1. Lõdvendage pitskruvi ning seejärel eemaldage juhikuhoidik ja laastude kõrvalesuunaja.
- **Joon.9:** 1. Kinnituskruvi 2. Juhikuhoidik 3. Laastude kõrvalesuunaja
2. Keerake kruvid lahti ja eemaldage aluse kaitse.
- **Joon.10:** 1. Aluse kaitse 2. Kruvid
3. Asetage šabloonjuhik alusele ja pange aluse kaitse tagasi. Seejärel fikseerige kruve pingutades aluse kaitse.
4. Kinnitage šabloon töödeldava detaili külge. Asetage tööriist šabloonile ja liigutage tööriista edasi nii, et šabloonjuhik libiseks piki šablooni serva.
- **Joon.11:** 1. Servamisotsak 2. Alus 3. Aluse kaitse 4. Šabloon 5. Töödeldav detail 6. Šabloonjuhik

MÄRKUS: Töödeldav detail lõigatakse šabloonist veidi erineva suurusega. Jätke servamisotsaku ja šabloonjuhiku väliskülje vahele vahemaa (X). Vahemaa (X) arvutamiseks saab kasutada järgmist valemit:

Vahemaa (X) = (šabloonjuhiku välisläbimõõt – servamisotsaku läbimõõt) / 2

Sirgjuhik

Sirgjuhikut kasutatakse faasimisel sirge löike saamiseks.

► **Joon.12**

1. Kinnitage juhtplaat poldi ja tiibmutri abil sirgjuhiku külge.
- **Joon.13:** 1. Pold 2. Juhtplaat 3. Sirgjuhik 4. Tiibmutter
2. Eemaldage juhikuhoidik ja laastude kõrvalesuunaja. Seejärel kinnitage sirgjuhik koos kinnituskruvidega.
- **Joon.14:** 1. Kinnituskruvi 2. Sirgjuhik 3. Tiibmutter 4. Alus
3. Lõdvendage sirgjuhikul olevat tiibmutrit ja reguleerige servamisotsaku ja sirgjuhiku vahelist vahemaad. Soovitud vahemaa saavutamisel keerake tiibmutter tugevasti kinni.
4. Lõikamisel liigutage tööriista nii, et sirgjuhik oleks töödeldava detaili servaga ühel joonel.

Servamisjuhik

Servamisjuhiku abil saab hõlpsasti servata, teha kõvraid löikeid mõõblispoonis jms. Juhtullik liigub piki löikekaart ja kindlustab peene löike.

► **Joon.15**

1. Kinnitage laastu kõrvalesuunaja alusel oleva soone sisse.
2. Paigaldage servamisjuhik ja juhikuhoidik kinnituskruvi abil aluse külge (A).

3. Lõdvendage pitskrüvi (B) ning reguleerige servamisotsaku ja -juhiku vahekaugust, keerates reguleerkrüvi (1 mm pöörde kohta). Soovitud kaugusel keerake pitskrüvi (B) kinni, et fikseerida servamisjuhik paigale.

- **Joon.16:** 1. Reguleerimiskrüvi 2. Juhikuhoidik
3. Servamisjuhik 4. Laastude kõrvalesuunaja

4. Lõikamisel liigutage tööriista nii, et juhrullik liiguks mööda töödeldava detaili serva.

- **Joon.17:** 1. Töödeldav detail 2. Servamisotsak
3. Juhtrullik

HOOLDUS

⚠ETTEVAATUST: Enne kontroll- või hooldustöimingute tegemist kandke alati hoolt selle eest, et tööriist oleks välja lülitatud ja vooluvõrgust lahti ühendatud.

TÄHELEPANU: Ärge kunagi kasutage bensiini, vedeldit, alkoholi ega midagi muud sarnast. Selle tulemuseks võib olla luitumine, deformatsioon või pragunemine.

Toote OHUTUSE ja TÖÖKINDLUSE tagamiseks tuleb vajalikud remonttööd ning muud hooldus- ja reguleerimistööd lasta teha Makita volitatud teeninduskeskustes või tehase teeninduskeskustes. Alati tuleb kasutada Makita varuosi.

Süsiharjade asendamine

- **Joon.18:** 1. Piirmärgis

Kontrollige süsiharju regulaarselt. Vahetage need välja, kui need on piirmärgini kulunud. Hoidke süsiharjad puhtad, nii on neid lihtne hoidikutesse libistada. Mõlemad süsiharjad tuleb asendada korraga. Kasutage üksnes identseid süsiharju.

1. Kasutage harjahoidikute kaante eemaldamiseks kruvikeerajat.

2. Võtke ära kulunud süsiharjad välja, paigaldage uued ning kinnitage harjahoidikute kaaned tagasi.

- **Joon.19:** 1. Harjahoidiku vahe

VALIKULISED TARVIKUD

⚠ETTEVAATUST: Neid tarvikuid ja lisaseadiseid on soovitatav kasutada koos Makita tööriistaga, mille kasutamist selles kasutusjuhendis kirjeldatakse. Muude tarvikute ja lisaseadiste kasutamiseks kaasneb vigastada saamise oht. Kasutage tarvikuid ja lisaseadiseid ainult otstarbekohaselt.

Saate vajaduse korral kohalikust Makita teeninduskeskusest lisateavet nende tarvikute kohta.

MÄRKUS: Mõned nimekirjas loetletud tarvikud võivad kuuluda standardvarustusse ning need on lisatud tööriista pakendisse. Need võivad riigiti erineda.

Servamisotsakud

Sirgotsak
► **Joon.20**

| D | A | L1 | L2 |
|------|----|----|----|
| 6 | 20 | 50 | 15 |
| 1/4" | | | |
| 6 | 8 | 50 | 18 |
| 1/4" | | | |
| 6 | 6 | 50 | 18 |
| 1/4" | | | |

Ühik:mm

U-soone otsak
► **Joon.21**

| D | A | L1 | L2 | R |
|------|---|----|----|---|
| 6 | 6 | 60 | 28 | 3 |
| 1/4" | | | | |

Ühik:mm

V-soone otsak
► **Joon.22**

| D | A | L1 | L2 | θ |
|------|----|----|----|-----|
| 1/4" | 20 | 50 | 15 | 90° |

Ühik:mm

Puuriteravikuga tasaservamisotsak
► **Joon.23**

| D | A | L1 | L2 | L3 |
|------|---|----|----|----|
| 6 | 6 | 60 | 18 | 28 |
| 1/4" | | | | |

Ühik:mm

Puuriteravikuga kahekordne tasaservamisotsak
► **Joon.24**

| D | A | L1 | L2 | L3 | L4 |
|------|---|----|----|----|----|
| 6 | 6 | 70 | 40 | 12 | 14 |
| 1/4" | | | | | |

Ühik:mm

Nurgaümmardusotsak
► **Joon.25**

| D | A1 | A2 | L1 | L2 | L3 | R |
|------|----|----|----|----|----|---|
| 6 | 25 | 9 | 48 | 13 | 5 | 8 |
| 1/4" | | | | | | |
| 6 | 20 | 8 | 45 | 10 | 4 | 4 |
| 1/4" | | | | | | |

Ühik:mm

Faasimisotsak**► Joon.26**

| D | A | L1 | L2 | L3 | θ |
|---|----|----|----|----|-----|
| 6 | 23 | 46 | 11 | 6 | 30° |
| 6 | 20 | 50 | 13 | 5 | 45° |
| 6 | 20 | 49 | 14 | 2 | 60° |

Ühik:mm

Nõgusfreesimisotsak**► Joon.27**

| D | A | L1 | L2 | R |
|---|----|----|----|---|
| 6 | 20 | 43 | 8 | 4 |
| 6 | 25 | 48 | 13 | 8 |

Ühik:mm

Kuullaagritega tasaservamisotsak**► Joon.28**

| D | A | L1 | L2 |
|------|----|----|----|
| 6 | 10 | 50 | 20 |
| 1/4" | | | |

Ühik:mm

Kuullaagritega nurgaümardusotsak**► Joon.29**

| D | A1 | A2 | L1 | L2 | L3 | R |
|------|----|----|----|----|-----|---|
| 6 | 15 | 8 | 37 | 7 | 3,5 | 3 |
| 6 | 21 | 8 | 40 | 10 | 3,5 | 6 |
| 1/4" | 21 | 8 | 40 | 10 | 3,5 | 6 |

Ühik:mm

Kuullaagritega faasimisotsak**► Joon.30**

| D | A1 | A2 | L1 | L2 | θ |
|------|----|----|----|----|-----|
| 6 | 26 | 8 | 42 | 12 | 45° |
| 1/4" | | | | | |
| 6 | 20 | 8 | 41 | 11 | 60° |

Ühik:mm

Kuullaagritega ribitamisosak**► Joon.31**

| D | A1 | A2 | A3 | L1 | L2 | L3 | R |
|---|----|----|----|----|----|-----|---|
| 6 | 20 | 12 | 8 | 40 | 10 | 5,5 | 4 |
| 6 | 26 | 12 | 8 | 42 | 12 | 4,5 | 7 |

Ühik:mm

Kuullaagritega nõgusprofiili ribitamisosak**► Joon.32**

| D | A1 | A2 | A3 | A4 | L1 | L2 | L3 | R |
|---|----|----|----|----|----|----|-----|---|
| 6 | 20 | 18 | 12 | 8 | 40 | 10 | 5,5 | 3 |
| 6 | 26 | 22 | 12 | 8 | 42 | 12 | 5 | 5 |

Ühik:mm

Kuullaagritega Rooma tüüpi S-profiili otsak**► Joon.33**

| D | A1 | A2 | L1 | L2 | L3 | R1 | R2 |
|---|----|----|----|----|-----|-----|-----|
| 6 | 20 | 8 | 40 | 10 | 4,5 | 2,5 | 4,5 |
| 6 | 26 | 8 | 42 | 12 | 4,5 | 3 | 6 |

Ühik:mm

ТЕХНИЧЕСКИЕ ХАРАКТЕРИСТИКИ

| | |
|-----------------------------|-------------------------------|
| Модель: | M3702 |
| Размер цангового патрона | 6,35 мм(1/4 дюйма) или 6,0 мм |
| Число оборотов без нагрузки | 35 000 мин ⁻¹ |
| Общая высота | 211 мм |
| Масса нетто | 1,5 кг |
| Класс безопасности | □/II |

- Благодаря нашей постоянно действующей программе исследований и разработок указанные здесь технические характеристики могут быть изменены без предварительного уведомления.
- Технические характеристики могут различаться в зависимости от страны.
- Масса в соответствии с процедурой EPTA 01/2014

Назначение

Этот инструмент предназначен для подрезания края листа из слоистого материала или аналогичных материалов.

Источник питания

Данный инструмент должен подключаться к источнику питания с напряжением, соответствующим напряжению, указанному на идентификационной пластине, и может работать только от однофазного источника переменного тока. Он имеет двойную изоляцию и поэтому может подключаться к розеткам без заземления.

Шум

Типичный уровень взвешенного звукового давления (A), измеренный в соответствии с 62841-2-17:
 Уровень звукового давления (L_{РА}): 83 дБ (A)
 Уровень звуковой мощности (L_{WA}): 94 дБ (A)
 Погрешность (K): 3 дБ (A)

ПРИМЕЧАНИЕ: Заявленное значение распространения шума измерено в соответствии со стандартной методикой испытаний и может быть использовано для сравнения инструментов.

ПРИМЕЧАНИЕ: Заявленное значение распространения шума можно также использовать для предварительных оценок воздействия.

⚠ОСТОРОЖНО: Используйте средства защиты слуха.

⚠ОСТОРОЖНО: Распространение шума во время фактического использования электроинструмента может отличаться от заявленного значения в зависимости от способа применения инструмента и в особенности от типа обрабатываемой детали.

⚠ОСТОРОЖНО: Обязательно определите меры безопасности для защиты оператора, основанные на оценке воздействия в реальных условиях использования (с учетом всех этапов рабочего цикла, таких как выключение инструмента, работа без нагрузки и включение).

Вибрация

Суммарное значение вибрации (сумма векторов по трем осям), определенное в соответствии с 62841-2-17:

Рабочий режим: вращение без нагрузки
 Распространение вибрации (a_h): 2,5 м/с² или менее
 Погрешность (K): 1,5 м/с²

ПРИМЕЧАНИЕ: Заявленное общее значение распространения вибрации измерено в соответствии со стандартной методикой испытаний и может быть использовано для сравнения инструментов.

ПРИМЕЧАНИЕ: Заявленное общее значение распространения вибрации можно также использовать для предварительных оценок воздействия.

⚠ОСТОРОЖНО: Распространение вибрации во время фактического использования электроинструмента может отличаться от заявленного значения в зависимости от способа применения инструмента и в особенности от типа обрабатываемой детали.

⚠ОСТОРОЖНО: Обязательно определите меры безопасности для защиты оператора, основанные на оценке воздействия в реальных условиях использования (с учетом всех этапов рабочего цикла, таких как выключение инструмента, работа без нагрузки и включение).

Декларация о соответствии ЕС

Только для европейских стран

Декларация о соответствии ЕС включена в руководство по эксплуатации (Приложение А).

МЕРЫ БЕЗОПАСНОСТИ

Общие рекомендации по технике безопасности для электроинструментов

⚠ОСТОРОЖНО: Ознакомьтесь со всеми представленными инструкциями по технике безопасности, указаниями, иллюстрациями и техническими характеристиками, прилагаемыми к данному электроинструменту. Несоблюдение каких-либо инструкций, указанных ниже, может привести к поражению электрическим током, пожару и/или серьезной травме.

Сохраните брошюру с инструкциями и рекомендациями для дальнейшего использования.

Термин "электроинструмент" в предупреждениях относится ко всему инструменту, работающему от сети (с проводом) или на аккумуляторах (без провода).

Правила техники безопасности при эксплуатации триммера

1. При выполнении работ существует риск контакта фрезы со шнуром питания, в связи с чем электроинструмент следует держать только за специальные изолированные поверхности. В случае разрезания находящегося под напряжением провода напряжение может передаваться на металлические части инструмента, что станет причиной поражения оператора током.
2. Для фиксации разрезаемой детали на устойчивой поверхности используйте зажимы или другие соответствующие приспособления. Никогда не держите распиливаемые детали в руках и не прижимайте их к телу, так как это не обеспечит устойчивого положения детали и может привести к потере контроля над инструментом.
3. Хвостовик фрезы для триммера должен подходить к имеющемуся цанговому патрону.
4. Используйте только фрезу для триммера, которая рассчитана, как минимум, на максимальную указанную на инструменте рабочую частоту.
5. В случае длительной эксплуатации инструмента используйте средства защиты слуха.
6. Аккуратно обращайтесь с фрезой для триммера.
7. Перед эксплуатацией тщательно осмотрите фрезу для триммера и убедитесь в отсутствии трещин или повреждений. Немедленно замените треснувшую или поврежденную фрезу.

8. Избегайте попадания режущего элемента на гвозди. Перед выполнением работ осмотрите деталь и удалите из нее все гвозди.
9. Крепко держите инструмент.
10. Руки должны находиться на расстоянии от вращающихся деталей.
11. Перед включением выключателя убедитесь, что фреза для триммера не касается детали.
12. Перед использованием инструмента на реальной детали дайте ему немного поработать вхолостую. Убедитесь в отсутствии вибрации или биения, которые могут свидетельствовать о неправильной установке фрезы.
13. Помните о направлении вращения фрезы для триммера и направлении ее подачи.
14. Не оставляйте работающий инструмент без присмотра. Включайте инструмент только тогда, когда он находится в руках.
15. Перед извлечением инструмента из детали всегда выключайте его и ждите, пока фреза полностью остановится.
16. Сразу после окончания работ не прикасайтесь к фрезе. Она может быть очень горячей, что приведет к ожогам кожи.
17. Не допускайте попадания на основание растворителя, бензина, масла или схожих веществ по неосторожности. Они могут стать причиной растрескивания основания.
18. Некоторые материалы могут содержать токсичные химические вещества. Примите соответствующие меры предосторожности, чтобы избежать вдыхания или контакта с кожей таких веществ. Соблюдайте требования, указанные в паспорте безопасности материала.
19. Обязательно используйте соответствующую пылезащитную маску/респиратор для защиты дыхательных путей от пыли разрезаемых материалов.
20. Установите инструмент на устойчивую поверхность. В противном случае инструмент может упасть и причинить травму.

СОХРАНИТЕ ДАННЫЕ ИНСТРУКЦИИ.

⚠ОСТОРОЖНО: НЕ ДОПУСКАЙТЕ, чтобы удобство или опыт эксплуатации данного устройства (полученный от многократного использования) доминировали над строгим соблюдением правил техники безопасности при обращении с этим устройством. НЕПРАВИЛЬНОЕ ИСПОЛЬЗОВАНИЕ инструмента или несоблюдение правил техники безопасности, указанных в данном руководстве, может привести к тяжелой травме.

ОПИСАНИЕ РАБОТЫ

▲ВНИМАНИЕ: Перед регулировкой или проверкой функций инструмента обязательно убедитесь, что он выключен и его вилка вынута из розетки.

Регулировка выступа фрезы для триммера

Для настройки выступа фрезы ослабьте зажимной винт и переместите основание вверх или вниз по необходимости. После завершения регулировки полностью затяните зажимной винт, чтобы зафиксировать основание.

► **Рис.1:** 1. Основание 2. Шкала 3. Выступ фрезы 4. Зажимной винт

Действие выключателя

▲ВНИМАНИЕ: Прежде чем вставить штекер инструмента в розетку, всегда проверяйте, что инструмент отключен.

Чтобы включить инструмент, переведите рычаг переключателя в положение "I". Чтобы выключить инструмент, переведите рычаг переключателя в положение "O".

► **Рис.2:** 1. Рычаг переключателя

Электронная функция

Для простоты эксплуатации инструмент оснащен электронными функциями.

Индикаторная лампа

► **Рис.3:** 1. Индикаторная лампа

При подключении инструмента к сети питания загорается зеленая индикаторная лампа. Если индикаторная лампа не загорается, это свидетельствует о неисправности сетевого шнура или контроллера. Если индикаторная лампа горит, а инструмент не включается даже при нажатом выключателе, это свидетельствует либо об износе угольных щеток, либо о неисправности контроллера, электродвигателя или переключателя ВКЛ/ВЫКЛ.

Защита от случайного включения

При установке рычага переключателя в положение I инструмент не запускается, даже если он подключен к сети питания.

В это время индикаторная лампа будет мигать красным, указывая на то, что активировано устройство защиты от случайного включения.

Для отключения защиты от случайного включения верните переключатель в положение O.

Функция плавного запуска

Функция плавного запуска уменьшает пусковой удар и обеспечивает плавность запуска инструмента.

СБОРКА

▲ВНИМАНИЕ: Перед проведением каких-либо работ с инструментом обязательно проверяйте, что инструмент выключен, а шнур питания вынут из розетки.

Установка или снятие фрезы для триммера

▲ВНИМАНИЕ: Не затягивайте цанговую гайку, не вставляя фрезу для триммера, иначе цанговый конус сломается.

▲ВНИМАНИЕ: Пользуйтесь только ключами, поставляемыми вместе с инструментом.

Вставьте фрезу до конца в цанговый конус и крепко затяните цанговую гайку с помощью двух ключей. Чтобы снять фрезу, выполните действия по установке в обратной последовательности.

► **Рис.4:** 1. Ослабить 2. Затянуть 3. Держите

ЭКСПЛУАТАЦИЯ

▲ВНИМАНИЕ: Всегда крепко держите инструмент, положив одну руку на корпус. Не касайтесь металлических деталей.

1. Установите основание на распиливаемую деталь так, чтобы фреза для триммера не касалась детали.
 2. Включите инструмент и дождитесь, пока фреза наберет полную скорость.
 3. Затем перемещайте инструмент вперед по поверхности, прижимая основание к детали и аккуратно двигая его вперед до завершения процесса резки.
- **Рис.5**

При осуществлении резки кромки, поверхность обрабатываемой детали должна находиться слева от фрезы в направлении подачи.

- **Рис.6:** 1. Обрабатываемая деталь 2. Направление вращения фрезы 3. Вид сверху инструмента 4. Направление подачи

При использовании прямой направляющей или кромко-обрезной направляющей обязательно располагайте ее справа по направлению подачи. Это поможет удерживать ее заподлицо с боковой стороной обрабатываемой детали.

- **Рис.7:** 1. Направление подачи 2. Направление вращения фрезы 3. Обрабатываемая деталь 4. Прямая направляющая

ПРИМЕЧАНИЕ: Слишком быстрое перемещение инструмента вперед может ухудшить качество резки или повредить фрезу для триммера или двигатель. Слишком медленное перемещение инструмента вперед может привести к сжиганию и порче выреза. Надлежащая скорость подачи будет зависеть от размера фрезы, типа обрабатываемой детали и глубины резки. Перед осуществлением резки на фактической обрабатываемой детали, рекомендуется сделать пробный вырез на куске ненужного пиломатериала. Это позволит точно узнать, как будет выглядеть вырез, а также проверить размеры.

Профильная направляющая

Профильная направляющая оснащена втулкой, через которую проходит фреза, что позволяет использовать триммер с профильными шаблонами.

► **Рис.8**

1. Ослабьте зажимной винт и снимите держатель направляющей и отражатель опилок.

► **Рис.9:** 1. Зажимной винт 2. Держатель направляющей 3. Отражатель опилок

2. Отверните винты и снимите защиту основания.

► **Рис.10:** 1. Защита основания 2. Винты

3. Установите профильную направляющую на основание и установите защиту на место. Затем затяните винты для фиксации защиты основания.

4. Прикрепите профиль к обрабатываемой детали. Установите инструмент на профиль и перемещайте его, продвигая профильную направляющую вдоль боковой стороны профиля.

► **Рис.11:** 1. Фреза для триммера 2. Основание 3. Защита основания 4. Профиль 5. Обрабатываемая деталь 6. Профильная направляющая

ПРИМЕЧАНИЕ: Размер вырезанной обрабатываемой детали будет немного отличаться от размера профиля. Обеспечьте расстояние (X) между фрезой и внешней стороной профильной направляющей. Расстояние (X) можно вычислить при помощи следующего уравнения:

Расстояние (X) = (наружный диаметр профильной направляющей - диаметр фрезы для триммера) / 2

Прямая направляющая

Прямая направляющая эффективно используется для осуществления прямых вырезов при снятии фасок.

► **Рис.12**

1. Соедините направляющую пластину с прямой направляющей при помощи болта с барашковой гайкой.

► **Рис.13:** 1. Болт 2. Направляющая пластина 3. Прямая направляющая 4. Барашковая гайка

2. Снимите держатель направляющей и отражатель опилок. Затем с помощью зажимного винта установите прямую направляющую.

► **Рис.14:** 1. Зажимной винт 2. Прямая направляющая 3. Барашковая гайка 4. Основание

3. Ослабьте барашковую гайку на прямой направляющей и отрегулируйте расстояние между фрезой и прямой направляющей. Надежно затяните барашковую гайку на необходимом расстоянии.

4. При резке перемещайте инструмент, держа прямую направляющую заподлицо с боковой стороной обрабатываемой детали.

Кромкообрезная направляющая

Резка кромок и изогнутых линий по облицовочным панелям мебели и прочие подобные работы можно выполнять с помощью кромкообрезной направляющей. Направляющий ролик перемещается по кривой и гарантирует аккуратную резку.

► **Рис.15**

1. Закрепите отражатель опилок в пазу основания.

2. Установите кромкообрезную направляющую и держатель направляющей на основание с помощью зажимного винта (А).

3. Ослабьте зажимной винт (В) и отрегулируйте зазор между фрезой для триммера и кромкообрезную направляющую, повернув регулировочный винт (1 мм на оборот). Отрегулировав необходимый зазор, затяните зажимной винт (В), чтобы зафиксировать кромкообрезную направляющую.

► **Рис.16:** 1. Регулировочный винт 2. Держатель направляющей 3. Кромкообрезная направляющая 4. Отражатель опилок

4. При резке перемещайте инструмент так, чтобы направляющий ролик перемещался по боковой стороне обрабатываемой детали.

► **Рис.17:** 1. Обрабатываемая деталь 2. Фреза для триммера 3. Направляющий ролик

ОБСЛУЖИВАНИЕ

ВНИМАНИЕ: Перед проверкой или проведением техобслуживания убедитесь, что инструмент выключен, а штекер отсоединен от розетки.

ПРИМЕЧАНИЕ: Запрещается использовать бензин, растворители, спирт и другие подобные жидкости. Это может привести к обесцвечиванию, деформации и трещинам.

Для обеспечения БЕЗОПАСНОСТИ и НАДЕЖНОСТИ оборудования ремонт, любое другое техобслуживание или регулировку необходимо производить в уполномоченных сервис-центрах Makita или сервис-центрах предприятия с использованием только сменных частей производства Makita.

Замена угольных щеток

► **Рис.18:** 1. Ограничительная метка

Регулярно проверяйте угольные щетки. Замените, когда износ достигнет ограничительной метки. Угольные щетки всегда должны быть чистыми и свободно перемещаться в держателях. Заменяйте обе угольные щетки одновременно. Используйте только идентичные угольные щетки.

1. Используйте отвертку для снятия колпачков держателей щеток.

2. Извлеките изношенные угольные щетки, вставьте новые и закрутите колпачков держателей щеток.

► **Рис.19:** 1. Колпачок держателя щетки

ДОПОЛНИТЕЛЬНЫЕ ПРИНАДЛЕЖНОСТИ

ВНИМАНИЕ: Данные принадлежности или приспособления рекомендуются для использования с инструментом Makita, указанным в настоящем руководстве. Использование других принадлежностей или приспособлений может привести к получению травмы. Используйте принадлежность или приспособление только по указанному назначению.

Если вам необходимо содействие в получении дополнительной информации по этим принадлежностям, свяжитесь с вашим сервис-центром Makita.

ПРИМЕЧАНИЕ: Некоторые элементы списка могут входить в комплект инструмента в качестве стандартных приспособлений. Они могут отличаться в зависимости от страны.

Фрезы для триммера

Прямая фреза

► Рис.20

| D | A | L1 | L2 |
|-----------|----|----|----|
| 6 | 20 | 50 | 15 |
| 1/4 дюйма | | | |
| 6 | 8 | 50 | 18 |
| 1/4 дюйма | | | |
| 6 | 6 | 50 | 18 |
| 1/4 дюйма | | | |

Единица: мм

U-образная фреза

► Рис.21

| D | A | L1 | L2 | R |
|-----------|---|----|----|---|
| 6 | 6 | 60 | 28 | 3 |
| 1/4 дюйма | | | | |

Единица: мм

V-образная фреза

► Рис.22

| D | A | L1 | L2 | θ |
|-----------|----|----|----|-----|
| 1/4 дюйма | 20 | 50 | 15 | 90° |

Единица: мм

Фреза для обрезки кромок точек сверления заподлицо

► Рис.23

| D | A | L1 | L2 | L3 |
|-----------|---|----|----|----|
| 6 | 6 | 60 | 18 | 28 |
| 1/4 дюйма | | | | |

Единица: мм

Фреза для двойной обрезки кромок точек сверления заподлицо

► Рис.24

| D | A | L1 | L2 | L3 | L4 |
|-----------|---|----|----|----|----|
| 6 | 6 | 70 | 40 | 12 | 14 |
| 1/4 дюйма | | | | | |

Единица: мм

Фреза для закругления углов

► Рис.25

| D | A1 | A2 | L1 | L2 | L3 | R |
|-----------|----|----|----|----|----|---|
| 6 | 25 | 9 | 48 | 13 | 5 | 8 |
| 1/4 дюйма | | | | | | |
| 6 | 20 | 8 | 45 | 10 | 4 | 4 |
| 1/4 дюйма | | | | | | |

Единица: мм

Фреза для снятия фасок

► Рис.26

| D | A | L1 | L2 | L3 | θ |
|---|----|----|----|----|-----|
| 6 | 23 | 46 | 11 | 6 | 30° |
| 6 | 20 | 50 | 13 | 5 | 45° |
| 6 | 20 | 49 | 14 | 2 | 60° |

Единица: мм

Фреза для выкружки

► Рис.27

| D | A | L1 | L2 | R |
|---|----|----|----|---|
| 6 | 20 | 43 | 8 | 4 |
| 6 | 25 | 48 | 13 | 8 |

Единица: мм

Подшипниковая фреза для обрезки кромок заподлицо

► Рис.28

| D | A | L1 | L2 |
|-----------|----|----|----|
| 6 | 10 | 50 | 20 |
| 1/4 дюйма | | | |

Единица: мм

Подшипниковая фреза для закругления углов

► Рис.29

| D | A1 | A2 | L1 | L2 | L3 | R |
|-----------|----|----|----|----|-----|---|
| 6 | 15 | 8 | 37 | 7 | 3,5 | 3 |
| 6 | 21 | 8 | 40 | 10 | 3,5 | 6 |
| 1/4 дюйма | 21 | 8 | 40 | 10 | 3,5 | 6 |

Единица: мм

Подшипниковая фреза для снятия фасок**► Рис.30**

| D | A1 | A2 | L1 | L2 | θ |
|-----------|----|----|----|----|-----|
| 6 | 26 | 8 | 42 | 12 | 45° |
| 1/4 дюйма | | | | | |
| 6 | 20 | 8 | 41 | 11 | 60° |

Единица: мм

Подшипниковая фреза для забортовки**► Рис.31**

| D | A1 | A2 | A3 | L1 | L2 | L3 | R |
|---|----|----|----|----|----|-----|---|
| 6 | 20 | 12 | 8 | 40 | 10 | 5,5 | 4 |
| 6 | 26 | 12 | 8 | 42 | 12 | 4,5 | 7 |

Единица: мм

Подшипниковая фреза для выкружки**► Рис.32**

| D | A1 | A2 | A3 | A4 | L1 | L2 | L3 | R |
|---|----|----|----|----|----|----|-----|---|
| 6 | 20 | 18 | 12 | 8 | 40 | 10 | 5,5 | 3 |
| 6 | 26 | 22 | 12 | 8 | 42 | 12 | 5 | 5 |

Единица: мм

Подшипниковая фреза для S-образного профиля**► Рис.33**

| D | A1 | A2 | L1 | L2 | L3 | R1 | R2 |
|---|----|----|----|----|-----|-----|-----|
| 6 | 20 | 8 | 40 | 10 | 4,5 | 2,5 | 4,5 |
| 6 | 26 | 8 | 42 | 12 | 4,5 | 3 | 6 |

Единица: мм

Makita Europe N.V.Jan-Baptist Vinkstraat 2,
3070 Kortenberg, Belgium**Makita Corporation**3-11-8, Sumiyoshi-cho,
Anjo, Aichi 446-8502 Japanwww.makita.com885896-983
EN, SV, NO, FI, DA,
LV, LT, ET, RU
20210225