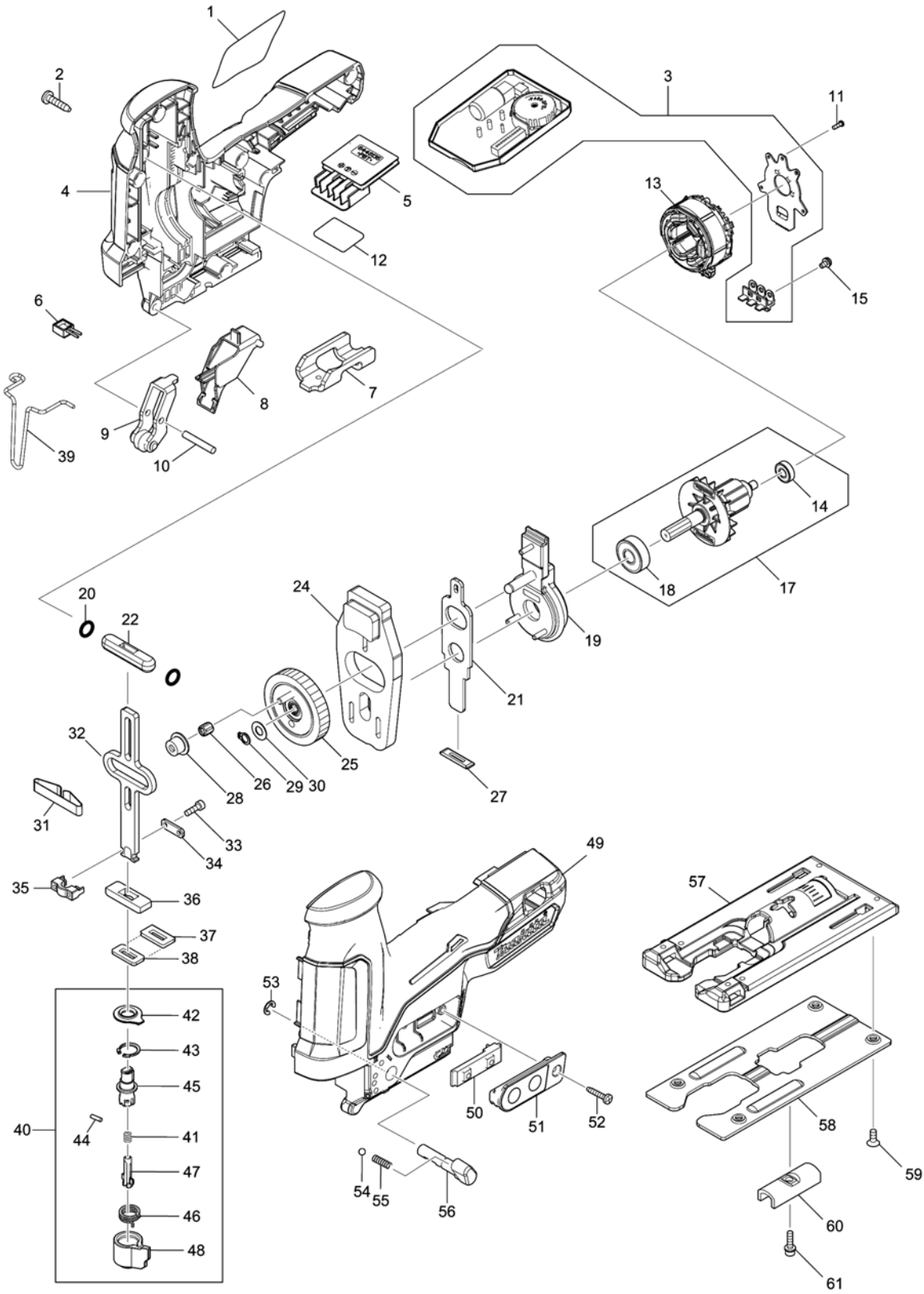


Model No. JV102D CORDLESS JIG SAW



Model No.JV102D CORDLESS JIG SAW

Item	Parts No.	Description	I/C	Qty	New/Old	Opt. 1	Opt. 2	Note
001	853P44-3	JV102D NAME PLATE		1	*			
001-1	853P43-5	JV102D NAME PLATE	<	1				
002	266326-2	TAPPING SCREW 4X18		9				
003	620710-9	CONTROLLER		1	*			
003-1	620906-2	CONTROLLER	<	1				
004	183H17-7	HOUSING SET		1				
D10		INC. 49						
005	644813-5	TERMINAL		1				
006	620712-5	LED CIRCUIT		1				
007	347251-7	HOLDER		1				
008	457866-3	RETAINER GUIDE		1				
009	144629-3	RETAINER COMPLETE		1				
010	256206-0	PIN 4		1				
011	266490-9	TAPPING SCREW PT 2X6		3				
012	853P50-8	JV102D SERIAL NO. LABEL		1				
013	629281-3	STATOR		1				
014	211157-4	BALL BEARING 695ZZ		1				
015	652069-6	FLAT HEAD SCREW M3X6		3				
017	519452-9	ROTOR ASSY		1	*			
D10		INC. 14,18			*			
017-1	519452-9	ROTOR ASSY	O	1				
D10		INC. 14,18						
018	210005-4	BALL BEARING 608DDW		1				
019	144820-3	BEARING CASE COMPLETE		1				
020	213038-8	O RING 5		2				
021	347249-4	PUSH PLATE		1				
022	313082-6	SLIDER GUIDE		1				
024	310812-6	BALANCE PLATE		1				
025	144630-8	GEAR COMPLETE		1				
026	212965-6	NEEDLE CAGE 407		1				
027	416703-0	DUST SEAL		1				
028	257804-3	SHOULDER SLEEVE 7		1				
029	961002-0	RETAINING RING S-6		1				
030	253715-0	FLAT WASHER 6		1				
031	232183-0	LEAF SPRING		1				
032	347250-9	SLIDER		1				
033	266177-3	HEX. SOCKET HEAD BOLT M3X10		2				
034	347247-8	PLATE		1				
035	310811-8	BLADE CLAMP		1				
036	313086-8	SLIDER SUPPORT		1				
037	344686-3	SEAL PLATE		1				

Please order the parts with part number.

Print Date 31/3/2020

Model No.JV102D CORDLESS JIG SAW

Item	Parts No.	Description	I/C	Qty	New/Old	Opt. 1	Opt. 2	Note
038	423307-1	POLY URETANE SPONGE SEAL		1				
039	323748-0	SAFETY WIRE		1				
040	135941-2	BLADE GUIDE ASS'Y		1				
D10		INC. 41-48						
041	233314-4	COMPRESSION SPRING 4		1				
042	424437-1	DUST COVER		1				
043	962063-3	RETAINING RING R-13		1				
044	256528-8	PIN 2		1				
045	310810-0	BLADE GUIDE		1				
046	233591-8	TORSION SPRING 10		1				
047	310485-5	LOCK PIN		1				
048	452850-3	INSERT HOLDER		1				
049	183H17-7	HOUSING SET		1				
D10		INC. 4						
050	620714-1	SWITCH UNIT		1				
051	144628-5	SWITCH PLATE COMPLETE		1				
052	266130-9	TAPPING SCREW BIND PT 3X16		1				
053	961011-9	STOP RING E-4		1				
054	216008-6	STEEL BALL 4		1				
055	233151-6	COMPRESSION SPRING 4		1				
056	271441-9	LEVER 19		1				
057	319620-2	BASE		1				
058	345441-6	BASE PLATE		1				
059	912107-9	COUNTERSUNK HEAD SCREW M4X8		4				
060	344685-5	CLAMP PLATE		1				
061	922128-3	HEX. SOCKET HEAD BOLT M4X16		1				
A01	A-85628	JIGSAW BLADE NO.B10		1				
A02	783201-2	HEX. WRENCH 3		1				
A03	457867-1	COVER PLATE		1				
A04B	821549-5	CONNECTOR PLASTIC CASE (TYPE1)		1				
C10	453974-8	LATCH		4				
A04C	821549-5	CONNECTOR PLASTIC CASE (TYPE1)		1				
C10	453974-8	LATCH		4				
A05B	839186-1	INNER TRAY		1				
A05C	839186-1	INNER TRAY		1				
A06B	813P13-6	JV102DSAJ INDICATION LABEL		1				
A06C	813P20-9	JV102DSMJ INDICATION LABEL		1				
A07B	813P14-4	JV102DSAJ PLASTIC CASE LABEL		2				

Please order the parts with part number.

Print Date 31/3/2020

Model No.JV102D CORDLESS JIG SAW

Item	Parts No.	Description	I/C	Qty	New/Old	Opt. 1	Opt. 2	Note
A07C	813P21-7	JV102DSMJ PLASTIC CASE LABEL		2				
A08B	197394-3	BATTERY BL1020B SET		2	*			
A08C	197402-0	BATTERY BL1040B SET		2	*			
A08-1B	197396-9	BATTERY BL1021B SET	<	2	*			
A08-1C	197406-2	BATTERY BL1041B SET	<	2	*			
A08-2B	197396-9	BATTERY BL1021B SET	O	2				
A08-2C	197406-2	BATTERY BL1041B SET	O	2				
A09B	***DC10SA	DC10SA BATTERY CHARGER		1	*			
A09C	***DC10SA	DC10SA BATTERY CHARGER		1	*			
A09-1B	***DC10SB	DC10SB BATTERY CHARGER	<	1				
A09-1C	***DC10SB	DC10SB BATTERY CHARGER	<	1				
A10B	456128-6	BATTERY COVER		1				
A10C	456128-6	BATTERY COVER		1				
A11	457801-1	DUST NOZZLE		1				
A12	458191-5	DUST COVER		1				

Please order the parts with part number.

Print Date 31/3/2020