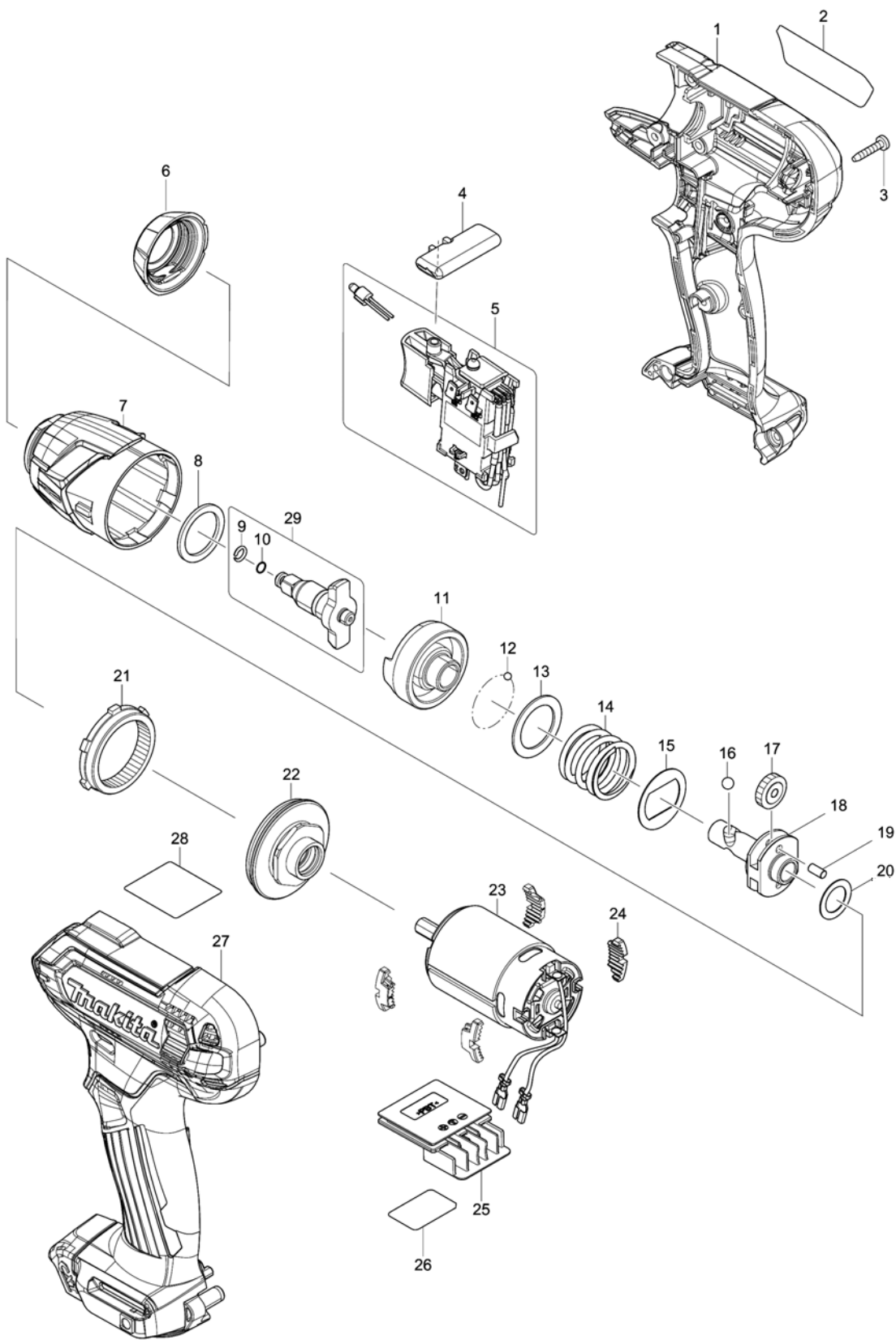


Model No.TW060D CORDLESS IMPACT WRENCH



Model No.TW060D CORDLESS IMPACT WRENCH

| Item | Parts No. | Description | I/C | Qty | New/Old | Opt. 1 | Opt. 2 | Note |
|------|-----------|--------------------------|-----|-----|---------|--------|--------|------|
| 001 | 183J75-5 | HOUSING SET | | 1 | | | | |
| C10 | 252126-6 | HEX. LOCK NUT M4-7 | | 2 | | | | |
| D10 | | INC. 27 | | | | | | |
| 002 | 855H72-6 | TW060D NAME PLATE | | 1 | | | | |
| 003 | 266429-2 | TAPPING SCREW 3X16 | | 8 | | | | |
| 004 | 456039-5 | F/R CHANGE LEVER | | 1 | | | | |
| 005 | 632M05-6 | SWITCH UNIT | | 1 | | | | |
| C10 | 688165-4 | LINE FILTER | | 1 | | | | |
| C20 | 620625-0 | LED CIRCUIT | | 1 | | | | |
| 006 | 422228-4 | BUMPER | | 1 | | | | |
| 007 | 140B03-5 | HAMMER CASE COMPLETE | | 1 | | | | |
| C10 | 213166-9 | O RING 12.5 | | 1 | | | | |
| 008 | 261140-1 | NYLON WASHER 20 | | 1 | | | | |
| 009 | 259065-1 | RING SPRING 5 | | 1 | | | | |
| 010 | 213014-2 | O RING 3 | | 1 | | | | |
| 011 | 327236-9 | HAMMER | | 1 | | | | |
| 012 | 216019-1 | STEEL BALL 3 | | 24 | | | | |
| 013 | 267380-9 | FLAT WASHER 20 | | 1 | | | | |
| 014 | 234064-4 | COMPRESSION SPRING 21 | | 1 | | | | |
| 015 | 267813-4 | WASHER 21 | | 1 | | | | |
| 016 | 216002-8 | STEEL BALL 4.8 | | 2 | | | | |
| 017 | 226190-3 | SPUR GEAR 18 | | 2 | | | | |
| 018 | 327127-4 | SPINDLE | | 1 | | | | |
| 019 | 268217-3 | PIN 3.5 | | 2 | | | | |
| 020 | 253052-2 | FLAT WASHER 12 | | 1 | | | | |
| 021 | 226191-1 | INTERNAL GEAR 45 | | 1 | | | | |
| 022 | 140B04-3 | BEARING BOX COMPLETE | | 1 | | | | |
| C10 | 213188-9 | O-RING 13 | | 1 | | | | |
| 023 | 632L97-9 | MOTOR COMPLETE | | 1 | | | | |
| C10 | 688172-7 | LINE FILTER | | 1 | | | | |
| 024 | 422273-9 | CUSHION | | 4 | | | | |
| 025 | 644813-5 | TERMINAL | | 1 | | | | |
| 026 | 855H78-4 | TW060D SERIAL NO. LABEL | | 1 | | | | |
| 027 | 183J75-5 | HOUSING SET | | 1 | | | | |
| C10 | 252126-6 | HEX. LOCK NUT M4-7 | | 2 | | | | |
| D10 | | INC. 1 | | | | | | |
| 029 | 136038-0 | ANVIL ASS'Y | | 1 | | | | |
| D10 | | INC. 9,10 | | | | | | |
| A01 | 266622-8 | + TRUSS HEAD SCREW M4X12 | | 1 | | | | |
| A02 | 346909-5 | HOOK | | 1 | | | | |
| A03B | 821661-1 | PLASTIC CARRYING CASE | | 1 | | | | |
| C10 | 417724-5 | LATCH | | 2 | | | | |

Please order the parts with part number.

Print Date 2/9/2020

Model No.TW060D CORDLESS IMPACT WRENCH

| Item | Parts No. | Description | I/C | Qty | New/Old | Opt. 1 | Opt. 2 | Note |
|--------|-----------|------------------------|-----|-----|---------|--------|--------|------|
| A03C | 821661-1 | PLASTIC CARRYING CASE | | 1 | | | | |
| C10 | 417724-5 | LATCH | | 2 | | | | |
| A04B | ***DC10WD | DC10WD BATTERY CHARGER | | 1 | | | | |
| D10 | | COMPO-PARTS | | | | | | |
| A04C | ***DC10WD | DC10WD BATTERY CHARGER | | 1 | | | | |
| D10 | | COMPO-PARTS | | | | | | |
| A05B | 197396-9 | BATTERY BL1021B SET | | 2 | * | | | |
| A05C | 197406-2 | BATTERY BL1041B SET | | 2 | * | | | |
| A05-1B | 197396-9 | BATTERY BL1021B SET | O | 2 | | | | |
| A05-1C | 197406-2 | BATTERY BL1041B SET | O | 2 | | | | |
| A06B | 456128-6 | BATTERY COVER | | 1 | | | | |
| A06C | 456128-6 | BATTERY COVER | | 1 | | | | |

Please order the parts with part number.

Print Date 2/9/2020