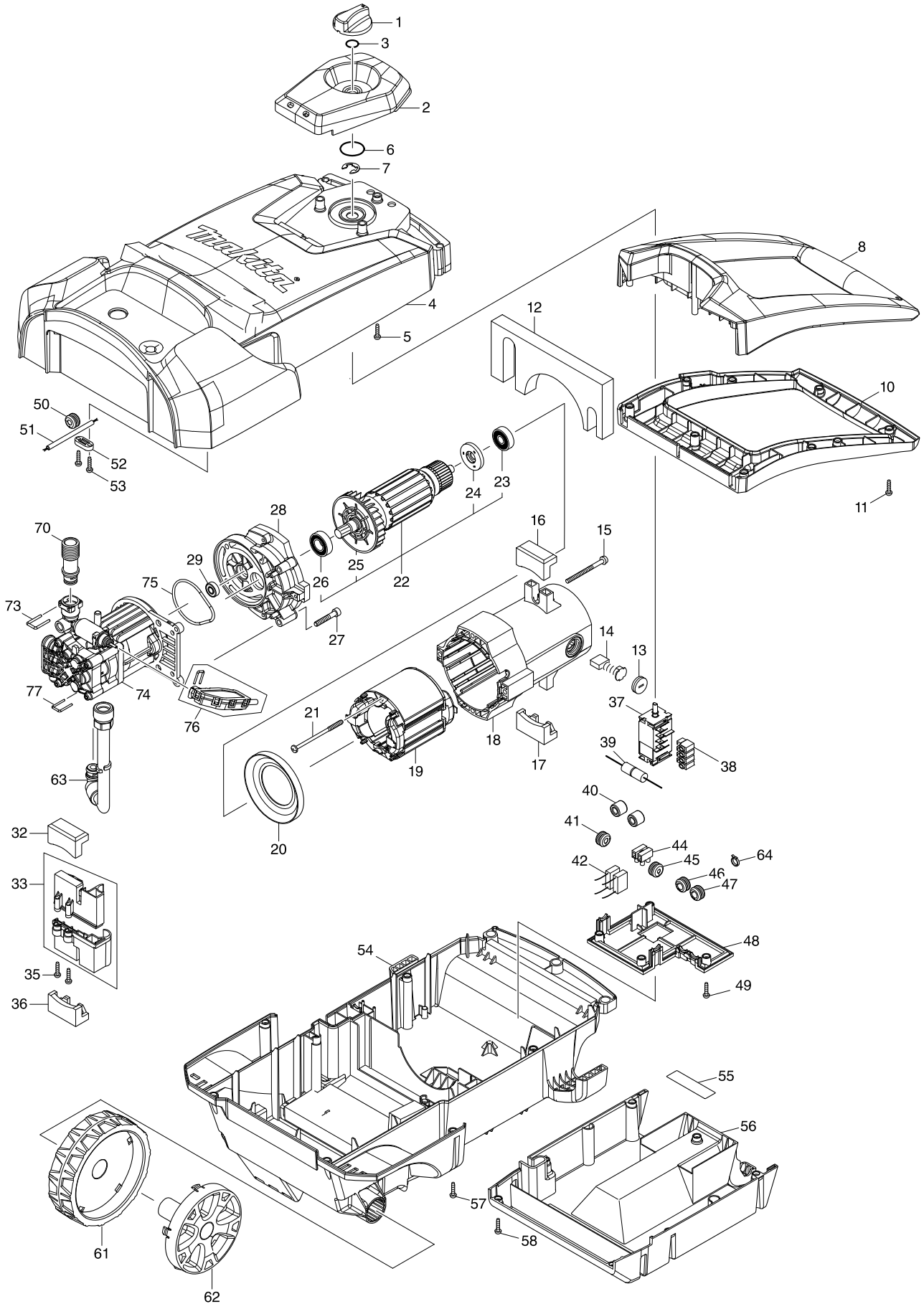


Model No. HW1200 HIGH PRESSURE WASHER



Item	Parts No.	Description	I/C	Qty	N/O	Opt. 1	Opt. 2	Note
001	456837-7	SWITCH DIAL 50		1				
002	456953-5	FRONT COVER		1				
003	213176-6	O RING 14		1				
004	143817-9	FRONT HOUSING COMPLETE		1				
005	266045-0	TAPPING SCREW 4X20		4				
006	213412-0	O RING 29		1				
007	961062-2	STOP RING E-12		1				
008	456841-6	FRONT HANDLE		1				
010	456843-2	REAR HANDLE		1				
011	266045-0	TAPPING SCREW 4X20		7				
012	424856-1	SCREEN SPONGE F		1				
013	643700-5	BRUSH HOLDER CAP 7-18		2				
014	191953-5	CARBON BRUSH CB-203		1				
015	911288-6	PAN HEAD SCREW M5X65		4				
016	424852-9	RUBBER CUSHION		1				
017	424852-9	RUBBER CUSHION		1				
018	143813-7	MOTOR HOUSING COMPLETE		1				
C10	643712-8	BRUSH HOLDER		2				
019	639092-8	FIELD ASSY 240V		1				
C10	654197-3	RING TERMINAL		2				
C20	654502-4	CONNECTOR P-2		2				
020	416131-9	BAFFLE PLATE		1				
021	265A13-6	TAPPING SCREW 5X85		2				
022	513474-1	ARMATURE ASSEMBLY 240V		1				
D10		INC. 23-26						
023	211067-5	BALL BEARING 6200ZZ		1				
024	681630-2	INSULATION WASHER		1				
025	241908-1	FAN 80		1				
026	211236-8	BALL BEARING 6002DDW		1				
027	266586-6	H.S.H.BOLT M6X35		4				
028	143822-6	GEAR HOUSING COMPLETE		1				
C10	263005-3	RUBBER PIN 6		1				
029	211166-3	BALL BEARING 698DDW		1				
032	424852-9	RUBBER CUSHION		1				
033	183D72-5	PUMP RETAINER SET		1				
035	266045-0	TAPPING SCREW 4X20		2				
036	424852-9	RUBBER CUSHION		1				
037	650780-4	SWITCH		1				
038	686035-1	RECEPTACLE SLEEVE		4				
039	632G71-7	CURRENT FUSE UNIT		1				
040	688163-8	LINE FILTER		2				
041	682100-4	GROMMET		1				
042	645089-7	NOISE SUPPRESSOR		1				
044	654531-7	TERMINAL BLOCK 2P		1				
045	682098-5	GROMMET		1				
046	682100-4	GROMMET		1				
047	682100-4	GROMMET		1				
048	456833-5	SWITCH BOX COVER		1				

Please order the parts with a part number.

Print Date 15/05/2018

