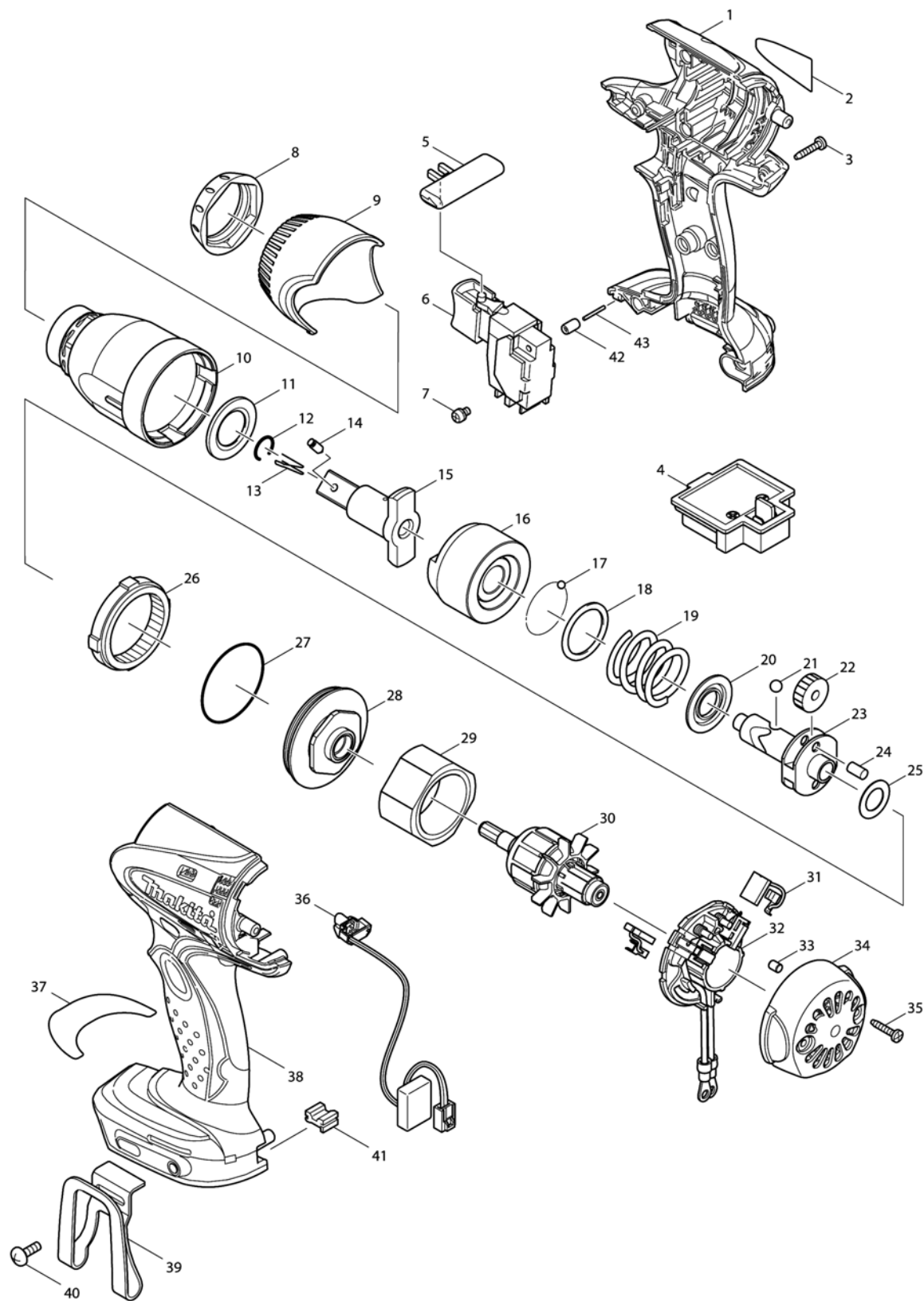


Model No.DTW251 CORDLESS IMPACT WRENCH



Model No.DTW251 CORDLESS IMPACT WRENCH

Item	Parts No.	Description	I/C	Qty	New/Old	Opt. 1	Opt. 2	Note
001	188243-5	HOUSING SET		1				
C10	263005-3	RUBBER PIN 6		2				
D10		INC. 38						
002	815E48-7	DTW251 NAME PLATE		1	*			
002-1	857J88-9	DTW251 NAME PLATA	S	1				
003	266130-9	TAPPING SCREW BIND PT 3X16		8				
004	643852-2	TERMINAL		1				
005	419041-9	F/R CHANGE LEVER		1				
006	650652-3	SWITCH TG553FSB-1B		1				
007	652045-0	+PAN HEAD SCREW M3.5X5		2				
008	424375-7	BUMPER		1				
009	452439-7	HAMMER CASE COVER		1				
010	140171-2	HAMMER CASE COMPLETE		1				
011	261116-8	NYLON WASHER 18		1				
012	231907-1	RING SPRING 10		1				
015	324706-9	ANVIL		1				
016	324703-5	HAMMER		1				
017	216001-0	STEEL BALL 3.5		24				
018	267175-0	FLAT WASHER 24		1				
019	234337-5	COMPRESSION SPRING 25		1				
020	267766-7	CUP WASHER 14		1				
021	216011-7	STEEL BALL 5.6		2				
022	227233-4	SPUR GEAR 22		2				
023	324220-5	SPINDLE		1				
024	256253-1	PIN 5		2				
025	267212-0	FLAT WASHER 12		1				
026	227150-8	INTERNAL GEAR 51		1				
027	213507-9	O RING 40		1				
028G	158145-9	BEARING BOX COMPLETE		1	*			
028H	158145-9	BEARING BOX COMPLETE		1	*			
028K	158145-9	BEARING BOX COMPLETE		1	*			
028L	158145-9	BEARING BOX COMPLETE		1	*			
028M	158145-9	BEARING BOX COMPLETE		1	*			
028-1G	143035-9	BEARING BOX COMPLETE	O	1				
028-1H	143035-9	BEARING BOX COMPLETE	O	1				
028-1K	143035-9	BEARING BOX COMPLETE	O	1				
028-1L	143035-9	BEARING BOX COMPLETE	O	1				
028-1M	143035-9	BEARING BOX COMPLETE	O	1				
028-1N	143035-9	BEARING BOX COMPLETE		1				
029	638495-3	YORK UNIT		1				
030G	619253-6	ARMATURE		1	*			
030H	619253-6	ARMATURE		1	*			

Please order the parts with part number.

Print Date 27/3/2020

Model No.DTW251 CORDLESS IMPACT WRENCH

Item	Parts No.	Description	I/C	Qty	New/Old	Opt. 1	Opt. 2	Note
030K	619253-6	ARMATURE		1	*			
030L	619253-6	ARMATURE		1	*			
030M	619253-6	ARMATURE		1	*			
030-1G	619375-2	ARMATURE	<	1				
030-1H	619375-2	ARMATURE	<	1				
030-1K	619375-2	ARMATURE	<	1				
030-1L	619375-2	ARMATURE	<	1				
030-1M	619375-2	ARMATURE	<	1				
030-1N	619375-2	ARMATURE		1				
031G	196854-2	CARBON BRUSH CB-448		1	*			
031H	196854-2	CARBON BRUSH CB-448		1	*			
031K	196854-2	CARBON BRUSH CB-448		1	*			
031L	196854-2	CARBON BRUSH CB-448		1	*			
031M	196854-2	CARBON BRUSH CB-448		1	*			
031-1G	196854-2	CARBON BRUSH CB-448	S	1	*			
031-1H	196854-2	CARBON BRUSH CB-448	S	1	*			
031-1K	196854-2	CARBON BRUSH CB-448	S	1	*			
031-1L	196854-2	CARBON BRUSH CB-448	S	1	*			
031-1M	196854-2	CARBON BRUSH CB-448	S	1	*			
031-1N	196854-2	CARBON BRUSH CB-448		1	*			
031-2	198887-3	CARBON BRUSH CB-5	S	1				
032G	638853-3	BRUSH HOLDER COMPLETE		1	*			
032H	638853-3	BRUSH HOLDER COMPLETE		1	*			
032K	638853-3	BRUSH HOLDER COMPLETE		1	*			
032L	638853-3	BRUSH HOLDER COMPLETE		1	*			
032M	638853-3	BRUSH HOLDER COMPLETE		1	*			
032-1G	632G50-5	BRUSH HOLDER COMPLETE	S	1	*			
C10	689181-9	SPACER		2	*			
D10		INC. 31			*			
032-1H	632G50-5	BRUSH HOLDER COMPLETE	S	1	*			
C10	689181-9	SPACER		2	*			
D10		INC. 31			*			
032-1K	632G50-5	BRUSH HOLDER COMPLETE	S	1	*			
C10	689181-9	SPACER		2	*			
D10		INC. 31			*			
032-1L	632G50-5	BRUSH HOLDER COMPLETE	S	1	*			
C10	689181-9	SPACER		2	*			
D10		INC. 31			*			
032-1M	632G50-5	BRUSH HOLDER COMPLETE	S	1	*			
C10	689181-9	SPACER		2	*			
D10		INC. 31			*			
032-1N	632G50-5	BRUSH HOLDER COMPLETE		1	*			

Please order the parts with part number.

Print Date 27/3/2020

Model No.DTW251 CORDLESS IMPACT WRENCH

Item	Parts No.	Description	I/C	Qty	New/Old	Opt. 1	Opt. 2	Note
C10	689181-9	SPACER		2	*			
D10		INC. 31			*			
032-2	632L19-9	BRUSH HOLDER COMPLETE	<	1				
D10		INC. 31						
033	263032-0	RUBBER PIN 4		2				
034	418981-8	REAR COVER		1				
035	266130-9	TAPPING SCREW BIND PT 3X16		2				
036	631693-8	LIGHT CIRCUIT		1				
038	188243-5	HOUSING SET		1				
C10	263005-3	RUBBER PIN 6		2				
D10		INC. 1						
039	346317-0	HOOK		1				
040	251314-2	+ SCREW M4X12		1				
041G	424026-2	CUSHION		1	*			
041H	424026-2	CUSHION		1	*			
041K	424026-2	CUSHION		1	*			
041L	424026-2	CUSHION		1	*			
041M	424026-2	CUSHION		1	*			
041-1G	424476-1	CUSHION	O	1				
041-1H	424476-1	CUSHION	O	1				
041-1K	424476-1	CUSHION	O	1				
041-1L	424476-1	CUSHION	O	1				
041-1M	424476-1	CUSHION	O	1				
041-1N	424476-1	CUSHION		1				
042	263036-2	RUBBER PIN 5		1				
043	268184-2	PIN 1.5		1				
044	857J89-7	DTW251 SERIAL NO. LABEL	S	1				
A01H	***DC18RC	DC18RC FAST CHARGER		1				
A01K	***DC18RC	DC18RC FAST CHARGER		1				
A01M	***DC18RC	DC18RC FAST CHARGER		1				
A01N	***DC18RC	DC18RC FAST CHARGER		1				
A02H	194204-5	BATTERY BL1830 SET		2	*			
A02K	194204-5	BATTERY BL1830 SET		2	*			
A02M	196399-0	BATTERY BL1840 SET		2	*			
A02N	197280-8	BATTERY BL1850B SET		2	*			
A02-1H	194204-5	BATTERY BL1830 SET	O	2	*			
A02-1K	194204-5	BATTERY BL1830 SET	O	2	*			
A02-1M	196399-0	BATTERY BL1840 SET	O	2	*			
A02-1N	197280-8	BATTERY BL1850B SET	O	2				
A02-2H	197600-6	BATTERY BL1830B SET	<	2	*			
A02-2K	197600-6	BATTERY BL1830B SET	<	2	*			
A02-2M	197265-4	BATTERY BL1840B SET	<	2	*			

Please order the parts with part number.

Print Date 27/3/2020

Model No.DTW251 CORDLESS IMPACT WRENCH

Item	Parts No.	Description	I/C	Qty	New/Old	Opt. 1	Opt. 2	Note
A02-3H	197600-6	BATTERY BL1830B SET	O	2				
A02-3K	197600-6	BATTERY BL1830B SET	O	2				
A02-3M	197265-4	BATTERY BL1840B SET	O	2				
A03H	141205-4	PLASTIC CARRYING CASE		1				
C10	324207-7	SHAFT		1				
C20	413098-2	PLATE		4				
C30	417724-5	LATCH		2				
C40	419215-2	PLASTIC CASE LID		1				
C50	419216-0	HANDLE		1				
A03K	821550-0	CONNECTOR PLASTIC CASE (TYPE2)		1				
C10	453974-8	LATCH		4				
A03L	821550-0	CONNECTOR PLASTIC CASE (TYPE2)		1				
C10	453974-8	LATCH		4				
A03M	821550-0	CONNECTOR PLASTIC CASE (TYPE2)		1				
C10	453974-8	LATCH		4				
A03N	821550-0	CONNECTOR PLASTIC CASE (TYPE2)		1				
C10	453974-8	LATCH		4				
A04H	802V76-3	DTW251RFE PLASTIC CASE LABEL		1	*			
A04K	837670-0	INNER TRAY		1				
A04L	837670-0	INNER TRAY		1				
A04M	837670-0	INNER TRAY		1				
A04N	837670-0	INNER TRAY		1				
A04-1H	804M50-3	DTW251RFE MODEL NO. LABEL	<	1				
A05H	450128-8	BATTERY COVER		1				
A05K	450128-8	BATTERY COVER		1				
A05M	450128-8	BATTERY COVER		1				
A05N	450128-8	BATTERY COVER		1				
A06K	802V72-1	DTW251RFJ INDICATION LABEL		1				
A06L	802V74-7	DTW251ZJ INDICATION LABEL		1				
A06M	802V85-2	DTW251RMJ INDICATION LABEL		1				
A06N	809B55-2	DTW251RTJ INDICATION LABEL		1				
A07K	802V73-9	DTW251RFJ PLASTIC CASE LABEL		2	*			
A07L	802V75-5	DTW251ZJ PLASTIC CASE LABEL		2	*			
A07M	802V86-0	DTW251RMJ PLASTIC CASE LABEL		2	*			
A07N	809B56-0	DTW251RTJ PLASTIC CASE LABEL		2				
A07-1K	805V38-0	DTW251RFJ PLASTIC CASE LABEL	<	2				

Please order the parts with part number.

Print Date 27/3/2020

Model No.DTW251 CORDLESS IMPACT WRENCH

Item	Parts No.	Description	I/C	Qty	New/Old	Opt. 1	Opt. 2	Note
A07-1L	805V39-8	DTW251ZJ PLASTIC CASE LABEL	<	2				
A07-1M	805V40-3	DTW251RMJ PLASTIC CASE LABEL	<	2	*			
A07-2M	807W57-8	DTW251RMJ PLASTIC CASE LABEL	<	2				

Please order the parts with part number.

Print Date 27/3/2020