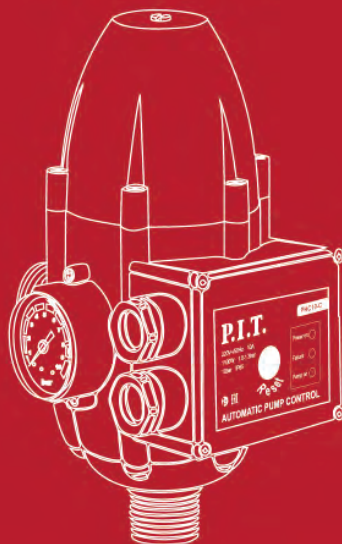


# P.I.T.

## PHC10-C



**AUTOMATIC CONTROLLER  
OF WATER PUMP**

**1100W**

**Powerful  
Efficient**

Please read the instruction manual carefully before use!





## English

### Safety instructions

#### General Power Tool Safety Warnings



**WARNING** Read all safety warnings and all instructions.

Failure to follow the warnings and instructions may result in electric shock, fire and/or serious injury.

**Save all warnings and instructions for future reference.** The term "power tool" as used in these instructions and instructions applies to both mains operated power tools (with mains lead) and cordless power tools (without mains lead).

Before turning on the automation unit, a specialist must check the following points:

- ▶ The reliability of the grounding system of the device.
- ▶ Zero contact.
- ▶ The device is not intended for industrial or industrial use.
- ▶ Connect the device only to a power source that is protected by a residual current circuit breaker (RCD) with a trip threshold of 30 mA or less in the event of an insulation fault.
- ▶ Electrical contacts must be reliably protected from moisture
- ▶ The automation must be connected to a 220-230V ~ 50Hz socket, equipped with grounding contacts and installed in accordance with all requirements. Fuse - 10 amps.
- ▶ The installation of the device and the electrical outlet for connecting the automation to the power supply must be carried out by qualified electricians.
- ▶ The cable connecting the control unit to the electrical network must be protected from water!
- ▶ If it is necessary to dismantle or install the control unit in a different location or perform maintenance, be sure to disconnect the power plug from the outlet.
- ▶ Do not handle the plug with wet hands!
- ▶ Do not use the device in the rain or in a humid environment.
- ▶ It is forbidden to turn on the pump with the control unit without water, this can lead to serious damage.
- ▶ It is forbidden to use the device at negative temperatures.
- ▶ Do not use the device near flammable liquids or gases. If this condition is not observed, there is a risk of fire or even explosion.

- ▶ Use only original spare parts and do not try to make any modifications to the existing structure.
- ▶ Check the device, power cord and plug for damage before each use. Avoid contact of the mains cable with corrosive liquids, oils, sharp or heated objects.
- ▶ A damaged cable cannot be repaired; it must be replaced with a new one.
- ▶ Do not use the device if any protective device is damaged or badly worn. It is forbidden to disable safety devices.
- ▶ Use only an outdoor waterproof extension cord.

#### Purpose and scope

The automation unit is designed to organize an automatic water supply system by ensuring that the pump is turned on / off at a variable flow rate.

Please read these operating instructions carefully, including the "Safety Manual" and the Appendix "General Safety Instructions". This is the only way you can learn how to handle the instrument correctly and avoid mistakes and dangerous situations.

The product is intended for short-term work in domestic conditions in areas with a temperate climate with a characteristic temperature from +1 °C to +40 °C and the absence of excessive dustiness in the air.

This manual contains the most complete information and requirements necessary and sufficient for reliable, efficient and safe operation of the product.

In connection with the continuation of work to improve

To improve the product, the manufacturer reserves the right to make minor changes to its design that are not reflected in this manual and do not affect the efficient and safe operation of the product.

#### Product Description and Specifications



**Read all the safety and general instructions.**

Failure to observe the safety and general instructions may result in electric shock, fire and/or serious injury.

Please observe the illustrations at the beginning of this operating manual.

#### Intended use

The automation unit is installed in the pressure line and serves to create and maintain pressure in the system.

When the pressure drops (flow appears when

opening the tap), the unit turns on the pump. When the tap is closed, the flow of water through the block stops and it turns off the pump. Thanks to the check valve in the block, water does not drain from the line and the pressure in the system is maintained until the next opening of the tap.

### Product Features

The numbering of the product features refers to the diagram of the power tool on the graphics page.

1. Pressure gauge
2. Cable connector
3. Outlet pipe
4. Inlet pipe
5. Button for resetting the automation unit
6. Socket
7. Fork
8. Cover for socket
9. Power indicator
10. Dry stop indicator
11. Pump on indicator
12. Starting pressure regulator

### Technical Data

Model	PHC10-C
Rated voltage	220 V~/50 Hz
Power	1100 W
Maximum current	10 A
Starting pressure	1.0-1.3 bar
Working pressure	10 bar
Temperature/protection level	90 °C / IP 65
Weight	1.5 Kg

### Contents of delivery

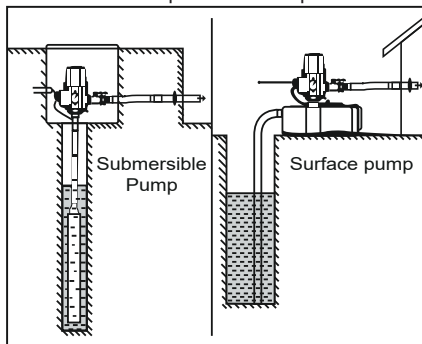
Automatic Controller	1pc
Cable with socket	1pc
Cable with plug	1pc
Instruction manual	1pc

### Note

Since the product is constantly being improved, P.I.T. reserves the right to make changes to the specifications and product specifications specified here without prior notice.

## Preparation for work

Installation of the product in the pressure line:



- ▶ Screw the product with a fitting into the outlet fitting of the surface pump or connect the pressure (from the pump) pipeline / hose with a diameter of 1 " to the fitting (in case of using a submersible pump);

**Note!** If it is impossible to install the product directly on the pump connection (due to protruding elements), use an extension pipe.

**Note!** In the case of a surface pump, or if there is no check valve in the submersible pump, install a check valve (not included) on the lower end of the water intake hose (surface pump) or at the outlet of the submersible pump.

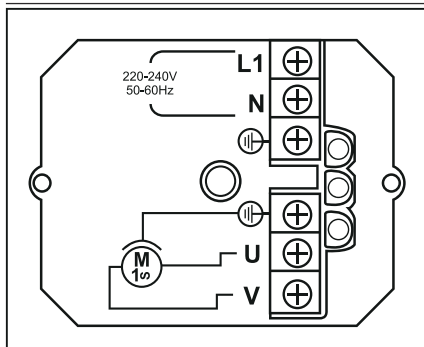
Connect the pipeline / hose of the supplying (to consumers) line to the outlet of the product;

**Warning:** the product is intended to be used strictly in an upright position. When using flexible hoses as pipelines, it is necessary to secure the product using additional devices.

Turn the pump into operation to displace air and fill the pipeline at least to the point of analysis closest after the product. Make sure there are no water leaks at the piping connections to the product. Otherwise, tighten the connections.

### Product connection:

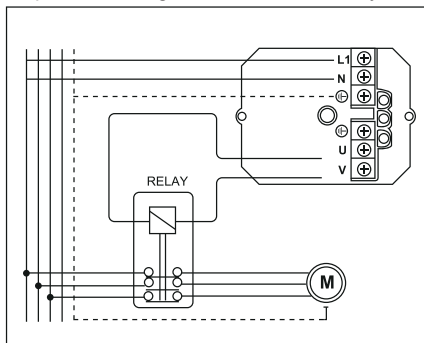
- ▶ Remove the control panel cover by unscrewing the screws at the corners;
- ▶ Unscrew the union nut, remove the plastic clip and the o-ring from the fitting. Slip all three elements onto the cable;
- ▶ Lead the cable through the fitting



- ▶ Connect (if not connected) the cable from the mains to the contacts L1 and N of the product;

If it is necessary to replace the cable (for example, when extending), disconnect the pre-installed cable. Connect the cable directly to the network on a permanent basis only through a circuit breaker with a rating of at least 10a.

- ▶ Connect the required load (if it does not have a plug) to the contacts u and v; if there is a ground wire (yellow-green) connect it to the contact;
- ▶ If it is necessary to connect a three-phase load or a load with a power of more than 1100 w, it is necessary to connect it to the product through an intermediate relay;



- ▶ Slide the ring and clip down the cable to the fitting, tighten the fit and tighten the nut firmly;
- ▶ Put the control panel cover back.

For the correct functioning of the product, it is necessary that the product switch-on pressure (by default - 1.5 Atm) be at least 0.2 Atm more than the pressure in the system, and at least 0.8 Atm less than the working pressure of the nasofs.

If necessary, a qualified technician should adjust the switch-on pressure. Contact the service center.

### Before starting work, make sure that:

- ▶ The power of the connected load does not exceed the maximum possible, indicated in the technical data for the product;
- ▶ Butts and joints of pipelines connected to the product do not have leaks and water leaks in order to avoid damage to the product;
- ▶ The product is installed strictly vertically, without inclination and skewing, and rigidly fixed in order to avoid loss of orientation during operation;
- ▶ The maximum head to the most distant consumer does not exceed 15 m. Otherwise, it is necessary to adjust the switch-on pressure.

### Operating procedure

Connect (if not connected) load to the product by plugging it into a power outlet.

To bleed air from the line, open the valve at the farthest parsing point.

Connect the product to the mains (by plugging the cable into a socket or turning on the circuit breaker when directly connected to the mains). All three indicators on the control panel 6 should light up. After 0.5 seconds, the Feed indicator goes out.

The pump will start automatically.

Within approximately 20-30 seconds, the line will be filled and water will be supplied to the consumer. In this case, the pressure gauge will show an increase in pressure in the system.

After establishing a constant pressure on the manometer and a uniform stream at the outlet from the parsing point, close its valve. After 7 seconds, the pressure in the system will rise to the maximum pump pressure and the pump will be turned off. The Protection indicator turns off.

As long as the water is moving, the control unit will not turn off the pump, regardless of the pressure created in the system! Therefore, the strength of the plumbing system must be designed for the maximum pressure generated by your pump.

Note! If there is no water flow, all three indicators will light up. After 20 seconds, if there is still no water flow, the water pump will stop and the water pump operation indicator (11) will turn off. Check the presence of water in

the source and fill the supply (before entering the product) line. Press the Reset button on the remote control.

At the end of the work, disconnect the load from the product (if connected to the outlet of the product) and disconnect the product from the mains.

### Recommendations for use

Make sure that the voltage of your mains corresponds to the rated voltage of the product. Connect the product to the mains and load to the product STRICTLY in accordance with the diagrams, not exceeding the specified maximum parameters.

In the case of using the product with a surface pump, it is recommended to install a check valve at the inlet of the suction channel - this will prevent the problem of indicating "dry running" by the product every time it is turned on. Do not install a non-return valve in the system after the product - this may cause incorrect operation of the product.

Make sure that the connections of the product with pipelines are tight, do not allow liquid to leak - this can lead to water ingress into the product and cause a short circuit.

The product does not require any other special maintenance.

All other work, including repair work, should be carried out only by specialists of service centers.

Monitor the good condition of the product.

In case of appearance of suspicious odors, smoke, fire, sparks, turn off the product and contact a specialized service center.

If you find something abnormal in the operation of the product, stop using it immediately.

Due to the technical complexity of the product, the limit state criteria cannot be determined by the user independently. In the case of an apparent or suspected malfunction, refer to the section "Possible malfunctions and methods of their elimination". If the malfunction is not in the list or you were unable to eliminate it, contact a specialized service center.

The service center issues a conclusion on the limiting state of the product or its parts in the form of a corresponding Act.

### Safety Guide

Before starting work, inspect and visually check the product and cable for visible mechanical damage.

Disconnect the product from the mains before any work on connecting and switching cables under the control panel cover.

Do not exceed the characteristics of the loads connected to the product specified in the technical data.

Make sure that the connections of the product with pipelines are tight, do not allow liquid to leak - this can lead to water ingress into the product and cause a short circuit.

### Maintenance and service

**ATTENTION!** Before carrying out any maintenance work on the device, switch it off and unplug it from the power outlet.

Check the condition of the connection terminals in the device once a year. Avoid breaking contacts. If a defect is found, replace the terminals immediately.

Do not overheat the device, as well as exceed the power consumed by the pump.

**ATTENTION!** The user must not open and disassemble the device by himself. Maintenance and repair work, in addition to the above described operations for connecting cables and adjusting the pressure, should only be carried out by specialists of the service center.

### Storage and transportation

Store the device at room temperature in a dry place.

Do not forget that frost will destroy the automation and its accessories, as there is always water inside them. Therefore, if there is a danger of freezing, dismantle the device and related accessories and store them in a frost-free room.

If the automation is inactive for a long time, as well as in winter, it must be stored in a dry, heated room. First, it is necessary to drain the remaining water from it, rinse with clean water and dry.

Automation does not require conservation. It should be stored at temperatures between +1 and + 35 ° C, away from heating devices and out of direct sunlight.

Permanent storage of automation at the installation site is allowed, disconnected from the mains.

During storage, do not allow water to freeze inside the automation and piping.

When dismantling the automation for storage in a dry room, it should be rinsed, dried and a routine inspection performed.

Transportation is recommended in the manufacturer's packaging.

Automation in the manufacturer's packaging can be transported by all types of covered transport at an air temperature from -10 to +

40 ° C and relative humidity up to 80% (at a temperature of + 25 ° C).

During transportation, any possible shock and movement of the packaging with the product inside the vehicle must be excluded.

Outside the installation site, the automation should be stored in a heated, ventilated room, out of the reach of children, excluding direct sunlight, at temperatures from +5 to + 35 ° C

### Dispose of waste

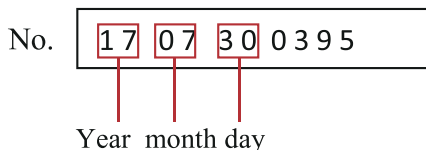
Damaged power tools, batteries, accessories and waste packaging materials must be recycled and reused in an environmentally friendly manner.



Do not throw power tools and accu-

mulators / batteries into general household waste!

### Product serial number interpretation



The first and second digits of the product serial number from left to right

Year of production, the third and fourth digits indicate the month of production, the fifth and sixth digits indicate the production day.

### TERMS OF WARRANTY SERVICE

1. This Warranty Certificate is the only document that confirms your right to free warranty service. Without presenting this certificate, no claims are accepted. In case of loss or damage, the warranty certificate is not restored.

2. The warranty period for the electric machine is 12 months from the date of sale, during the warranty period the service department eliminates manufacturing defects and replaces parts that have failed due to the fault of the manufacturer free of charge. In the warranty repair, an equivalent operable product is not provided. Replaceable parts become property of service providers.

P.I.T is not liable for any damage that may be caused by operation of the electric machine.

3. Only clean tool accompanied with the following duly executed documents: this Warranty Certificate, Warranty Card, with all fields filled out, bearing the stamp of the trade organization and the signature of the buyer, shall be accepted for warranty repair.

4. Warranty repair is not performed in the following cases:

- in the absence of a Warranty Certificate and a Warranty Card or their incorrect execution;
- with failure of both a rotor and a stator of the electric engine, charring or melting of primary winding of the welding machine transformer, charging or starting-charging device, with internal parts melting, burn down of electronic circuit boards;

- if a Warranty Certificate or a Warranty Card does not correspond to this electric machine or to the form established by the supplier;

- upon expiration of the warranty period;
- at attempts of opening or repair of the electric machine outside the warranty workshop; making constructive changes and lubrication of the tool during the warranty period, as evidenced, for example, by the creases on the spline parts of the fasteners of non-rotational parts.

- when using electric tools for production or other purposes connected with making a profit, as well as in case of malfunctions related to instability of the power network parameters exceeding the norms established by GOST;

- in the events of improper operation (use the electric machine for other than intended purposes, attachments to the electric machine of attachments, accessories, etc. not provided by the manufacturer);

- with mechanical damage to the case, power cord and in case of damages caused by aggressive agents and high and low temperatures, ingress of foreign objects in the ventilation grids of the electric machine, as well as in case of damage resulting from improper storage (corrosion of metal parts);

- natural wear and tear on the parts of the electric machine, as a result of long-term operation (determined on the basis of the signs of full or partial depletion of the specified mean life, great contamination, presence of rust outside and inside the electric machine, waste lubricant in the gearbox);

- use of the tool the purposes for other than specified in the operating instructions.

- mechanical damages to the tool;
- in the event of damages due to non-observance of the operating conditions specified in the instruction (see chapter "Safety Precautions" of the Manual).

- damage to the product due to non-observance of the rules of storage and transportation.

Preventive maintenance of electric machines

(cleaning, washing, lubrication, replacement of anthers, piston and sealing rings) during the warranty period is a paid service.

The service life of the product is 3 years. Shelf life is 2 years. It is not recommended for operation after 2 years of storage from the date of manufacture, which is indicated in the serial number on the label of the instrument, without preliminary verification (for the definition of the date of manufacture, see the User's Manual earlier).

The owner is notified of any possible violations of the above terms of warranty service upon completion of diagnostics in the service center.

The owner of the tool entrusts the diagnostic procedure to be conducted in the service center in his absence.

Do not operate the electric machine when there are signs of excessive heat, sparking, or noise in the gearbox. To determine the cause of the malfunction, the buyer should contact the warranty service center.

Malfunctions caused by late replacement of carbon brushes of the engine are eliminated at the expense of the buyer.

5. The warranty does not cover:

- replacement accessories (accessories and components), for example: batteries, discs, blades, drill bits, borers, chucks, chains, sprockets, collet clamps, guide rails, tension and fastening elements, trimming device heads, base of grinding and belt sander machines, hexagonal heads, etc.,
- fast wearing parts, for example: carbon brushes, drive belts, seals, protective covers, guiding rollers, guides, rubber seals, bearings, toothed belts and wheels, shanks, brake belts, starter ratchets and ropes, piston rings, etc. Their replacement during the warranty period is a paid service;
- power cords, in case of damage to the insulation, power cords are subject to mandatory replacement without the consent of the owner (paid service);
- tool case.



**ПРЕДУПРЕЖДЕНИЕ****Прочтите все указания и инструкции по технике безопасности.**

Несоблюдение указаний и инструкций по технике безопасности может стать причиной поражения электрическим током, пожара и тяжелых травм.

**Сохраняйте эти инструкции и указания для будущего использования.**

Использованное в настоящих инструкциях и указаниях понятие «электроинструмент» распространяется на электроинструмент с питанием от сети (с сетевым шнуром) и на аккумуляторный электроинструмент (без сетевого шнура).

Перед тем как включать блок автоматики, специалист должен проверить следующие моменты:

- ▶ Надежность системы заземления аппарата.
- ▶ Нулевой контакт.
- ▶ Устройство не рассчитано на применение в промышленных или производственных целях.
- ▶ Подключайте устройство только к такому источнику питания, который защищен дифференциальным выключателем защиты от токов утечки (УЗО) с порогом отключения не более 30 мА, срабатывающим в случае нарушения изоляции.
- ▶ Электрические контакты должны быть надежно защищены от влаги
- ▶ Автоматика должна быть подключена к розетке на 220-230В~50Гц, оснащенной заземляющими контактами и установленной в соответствии со всеми требованиями. Предохранитель - 10 ампер.
- ▶ Монтаж устройства и электрической розетки для подключения автоматики к питающей электросети должны выполнять квалифицированные специалисты по электромонтажным работам.
- ▶ Кабель подключения блока управления в электрическую сеть должен быть защищен от воды!
- ▶ Если необходимо демонтировать или установить блок управления в другое место или выполнить технический уход, обязательно отсоедините вилку сетевого шнура от розетки.

- ▶ Не беритесь за штепсельную вилку мокрыми руками!
- ▶ Запрещается пользоваться устройством под дождем или во влажной окружающей среде.
- ▶ Запрещается включение насоса с блоком управления без воды, это может привести к серьезным поломкам.
- ▶ Запрещено использовать устройство при отрицательных температурах.
- ▶ Не используйте устройство вблизи легковоспламеняющихся жидкостей или газов. При несоблюдении данного условия возникает опасность пожара или даже взрыва.
- ▶ Используйте только оригинальные запчасти и не пытайтесь вносить какие-либо изменения в имеющуюся конструкцию.
- ▶ Перед каждым использованием проверяйте устройство, кабель питания и вилку на наличие повреждений. Избегайте контакта сетевого кабеля с агрессивными жидкостями, маслами, острыми или нагретыми предметами.
- ▶ Поврежденный кабель нельзя ремонтировать, его необходимо заменить новым.
- ▶ Не используйте устройство в случае, если какое-либо защитное устройство повреждено или сильно изношено. Запрещено отключать защитные устройства.
- ▶ Используйте только влагозащищенный удлинитель, предназначенный для работы вне помещений.

**Назначение и область применения**

Блок автоматики предназначен для организации системы автоматического водоснабжения путем обеспечения включения/выключения насоса при переменном расходе. Внимательно изучите настоящее руководство по эксплуатации, в том числе раздел Руководство по безопасности и Приложение Общие инструкции по безопасности. Только так Вы сможете научиться правильно обращаться с инструментом и избежите ошибок и опасных ситуаций.

Изделие предназначено для непродолжительных работ в бытовых условиях в районах с умеренным климатом с характерной температурой от +1 °С до +40 °С и отсутствием чрезмерной запыленности воздуха. Настоящее руководство содержит самые

полные сведения и требования, необходимые и достаточные для надежной, эффективной и безопасной эксплуатации изделия.

В связи с продолжением работы по усовершенствованию изделия, изготовитель оставляет за собой право вносить в его конструкцию незначительные изменения, не отраженные в настоящем руководстве и не влияющие на эффективную и безопасную работу изделия.

## Описание продукта и услуг



**Прочтите все указания и инструкции**

### по технике безопасности.

Несоблюдение указаний по технике безопасности и инструкций может привести к поражению электрическим током, пожару и/или тяжелым травмам.

Пожалуйста, соблюдайте иллюстрации в начале руководства по эксплуатации. проводом без вилки.

### Применение по назначению

Блок автоматики устанавливается в напорную магистраль и служит для создания и поддержания давления в системе.

При падении давления (появлении расхода при открытии крана) блок включает насос в работу. При закрытии крана прекращается расход воды через блок и он отключает насос. Благодаря обратному клапану в блоке, вода не стекает из магистрали и давление в системе сохраняется до следующего открытия крана.

### Устройство автоматического контроллера

Общий вид инструмента представлен на странице с иллюстрациями.

1. Манометр
2. Кабельный разъем
3. Выходной патрубок
4. Входной патрубок
5. Кнопка перезагрузки блока автоматики
6. Розетка
7. Вилка
8. Крышка для розетки
9. Индикатор «Сеть»
10. Индикатор отсутствия расхода воды
11. Индикатор работы насоса («Подача»)
12. Регулятор стартового давления

### Технические данные

Модель	PHC10-C
Номинальное напряжение/частота	220 В / 50 Гц

Модель	PHC10-C
Номинальная мощность	1100 Вт
Максимальный ток	10 А
Пусковое давление	1,0-1,3 бар
Максимальное давление	10 бар
Температура / уровень защиты	90 C / IP 65
Вес	1,5 кг

### Комплект поставки

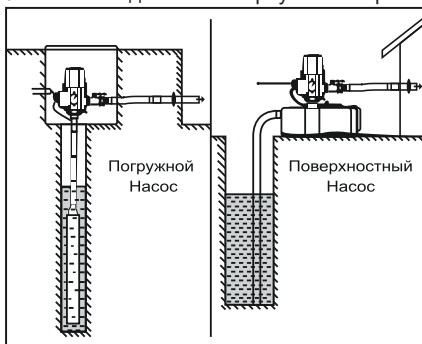
Блок автоматики	1 шт.
Кабель с розеткой	1 шт.
Кабель с вилкой	1 шт.
Инструкция пользователя	1 шт.

### Примечание

Так как изделие постоянно совершенствуется, P.I.T. оставляет за собой право на внесение изменений в указанные здесь технические характеристики и комплектацию изделия без предварительного уведомления.

### Подготовка к работе

Установка изделия в напорную магистраль:



- ▶ вверните изделие штуцером в выходной штуцер поверхностного насоса или присоедините напорный (от насоса) трубопровод/шланг диаметром 1" к штуцеру (в случае использования погружного насоса);

**Примечание!** В случае невозможности установки изделия на штуцер насоса напрямую (из-за выступающих элементов) используйте удлинительный патрубок.

**Примечание!** В случае поверхностного насоса или при отсутствии в погружном насосе обратного клапана, установите на нижний конец водозаборного шланга (поверхностного насоса) или на выходе погружного насоса обратный клапан (в

комплект не входит).

► подсоедините трубопровод/шланг по дающей(к потребителям) магистрали к выходящему штуцеру изделия;

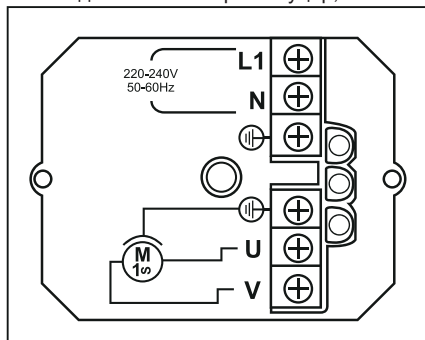
**Примечание!** При подключении шланга рекомендуем закреплять его на штуцере с помощью хомута. При несоответствии диаметров штуцеров используйте соответствующие переходники.

**ВНИМАНИЕ!**Изделие предназначено для эксплуатации **СТРОГО** в вертикальном положении. При использовании в качестве трубопроводов гибких шлангов, необходимо закрепить изделие с помощью дополнительных приспособлений.

► включите насос в работу для вытеснения воздуха и заполнения трубопровода хотя бы до ближайшей после изделия точки разбора. Убедитесь в отсутствии утечек воды в местах подсоединения трубопровода к изделию. В противном случае, уплотните соединения.

Подключение изделия:

- снимите крышку пульта управления, отвернув винта по углам;
- открутите гайку штуцера, выньте из штуцера пластиковую обойму и уплотнительное кольцо. Оденьте все три элемента на кабель;
- заведите кабель через штуцер;



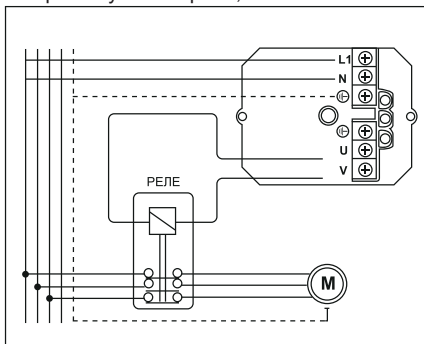
► подключите (если не подключен) кабель от электрической сети к контактам **L1** и **N** изделия;

В случае необходимости замены кабеля (например, при удлинении), отсоедините предварительно установленный кабель. Подключение кабеля непосредственно к сети на постоянной основе осуществляйте **ТОЛЬКО** через автоматический выключатель номиналом не менее 10А.

► подключите необходимую нагрузку (в случае отсутствия у нее вилки) к контак-

там **U** и **V**; при наличии заземляющего провода (желтозеленый) – подключите его к контакту ;

- при необходимости подключения трехфазной нагрузки или нагрузки мощностью более 1100 Вт необходимо выполнять ее подключение к изделию через промежуточное реле;



- спустите кольцо и обойму по кабелю к штуцеру, уплотните посадку и крепко затяните гайку;
- установите крышку пульта управления обратно.

Для правильного функционирования изделия необходимо, чтобы давление включения изделия (по умолчанию - 1.5 Атм) было минимум на 0.2 Атм больше, чем давление в системе, и минимум на 0.8 Атм меньше, чем рабочее давление насоса.

При необходимости, регулировку давления включения должен осуществлять квалифицированный специалист. Обратитесь в сервисный центр.

Перед началом работы убедитесь, что:

- мощность подключаемой нагрузки не превышает максимально возможную, указанную в технических данных на изделие;
- стыки и соединения трубопроводов, подключенных к изделию, не имеют неплотностей и утечек воды во избежание повреждения изделия;
- изделие установлено строго вертикально, без наклона и перекоса, и жестко закреплено во избежание потери ориентации во время работы;
- максимальный напор до наиболее удаленного потребителя не превышает 15 м. В противном случае, необходима регулировка давления включения.

### Порядок работы

Подключите (если не подключена) нагрузку

к изделию, вставив вилку в розетку. Для выпуска воздуха из магистрали откройте кран самой дальней точки разбора. Подключите изделие к электрической сети (вставив вилку кабеля в розетку или включив автоматический выключатель при непосредственном подключении в сети). На пульте управления 6 должны загореться все три индикатора. Через 0.5 сек гаснет индикатор Подача

Насос включится в работу автоматически. В течение приблизительно 20-30 секунд будет происходить заполнение магистрали и подача воды к потребителю. При этом манометр будет показывать увеличение давления в системе.

После установления постоянного давления на манометре и равномерной струи на выходе из точки разбора, закройте ее кран. Через 7 секунд давление в системе поднимется до максимального давления насоса и насос будет отключен. Индикатор Защита погаснет.

Пока вода движется, блок управления не отключит насос, независимо от созданного в системе давления! Поэтому прочность водопроводной системы должна быть рассчитана на максимальное давление, создаваемое вашим насосом.

**Примечание!** При отсутствии потока воды загорятся все три индикатора. Через 20 секунд, если по прежнему нет потока воды, водяной насос остановится и индикатор работы водяного насоса (11) погаснет. Проверьте наличие воды в источнике и заполните подающую (до входа в изделие) магистраль. Нажмите кнопку Сброс на пульте управления.

По окончании работы отключите нагрузку от изделия (в случае подключения к розетке изделия) и отключите изделие от электрической сети.

### **Рекомендации по эксплуатации**

Убедитесь, что напряжение Вашей сети соответствует номинальному напряжению изделия.

Подключение изделия к сети и нагрузки к изделию выполняйте **СТРОГО** в соответствии со схемами, не превышая указанных максимальных параметров.

В случае использования изделия с поверхностным насосом, рекомендуется на вход всасывающего канала устанавливать обратный клапан это предотвратит проблему индикации сухого хода изделием при каждом включении.

Не следует устанавливать обратный клапан в системе после изделия это может вызывать некорректную работу изделия. Следите за герметичностью соединений изделия с трубопроводами, не допускайте утечки жидкости это может привести к попаданию воды внутрь изделия и вызвать короткое замыкание.

Изделие не требует другого специального обслуживания.

Все прочие работы, в том числе ремонтные, должны проводиться только специалистами сервисных центров.

Следите за исправным состоянием изделия. В случае появления подозрительных запахов, дыма, огня, искр следует выключить изделие и обратиться в специализированный сервисный центр.

Если Вам что-то показалось ненормальным в работе изделия, немедленно прекратите его эксплуатацию.

В силу технической сложности изделия, критерии предельных состояний не могут быть определены пользователем самостоятельно. В случае явной или предполагаемой неисправности обратитесь к разделу Возможные неисправности и методы их устранения Если неисправности в перечне не оказалось или Вы не смогли устранить ее, обратитесь в специализированный сервисный центр. Заключение о предельном состоянии изделия или его частей сервисный центр выдает в форме соответствующего Акта.

### **Руководство по безопасности**

Перед началом работы осмотрите и визуально проверьте изделие и кабель на отсутствие видимых механических повреждений.

Перед любыми работами по подключению и переключению кабелей под крышкой пульта управления отключите изделие от сети.

Не превышайте указанные в технических данных характеристики нагрузок, подключаемых к изделию.

Следите за герметичностью соединений изделия с трубопроводами, не допускайте утечки жидкости это может привести к попаданию воды внутрь изделия и вызвать короткое замыкание.

### **Техобслуживание и сервис**

**ВНИМАНИЕ!** Перед проведением любых работ по обслуживанию устройства, выключите его и извлеките вилку из штепсельной

розетки.

Раз в год проверяйте состояние соединительных клемм в устройстве. Не допускайте нарушения контактов. При обнаружении дефекта, незамедлительно замените клеммы.

Не допускайте перегрева устройства, а также превышения мощности потребляемой насосом.

**ВНИМАНИЕ!** Пользователь не должен вскрывать и разбирать устройство самостоятельно. Работы по обслуживанию и ремонту, кроме описанных выше операций по подключению кабелей и настройке давления, должны выполнять только специалисты сервисного центра.

### Хранение и транспортировка

Устройство следует хранить при комнатной температуре, в сухом месте.

Не забывайте, что мороз приводит к разрушению автоматики и ее принадлежностей, поскольку внутри них всегда находится вода. Поэтому, при опасности замерзания демонтируйте устройство и относящиеся к нему принадлежности и поместите их на хранение в незамерзающее помещение.

При длительном бездействии автоматики, а также в зимний период хранить ее необходимо в сухом отапливаемом помещении. Предварительно необходимо слить из нее остатки воды, промыть чистой водой и высушить.

Автоматика не требует консервации. Его следует хранить при температуре от +1 до +35°C, вдали от нагревательных приборов и избегая попадания прямых солнечных лучей.

Допускается постоянное хранение автоматики на месте установки отключенным от электросети.

При хранении не допускайте замерзания воды внутри автоматики и трубопровода.

При демонтаже автоматики для хранения в сухом помещении ее следует промыть, просушить и сделать профилактический осмотр.

Транспортировку рекомендуется производить в упаковке производителя.

Автоматику в упаковке изготовителя можно транспортировать всеми видами крытого транспорта при температуре воздуха от -10 до +40°C и относительной влажности до 80% (при температуре +25°C).

При транспортировании должны быть исключены любые возможные удары и перемещения упаковки с изделием внутри

транспортного средства.

Вне места установки автоматика должна храниться в отапливаемом, вентилируемом помещении, в недоступном для детей месте, исключая попадание прямых солнечных лучей, при температуре от +5 до +35°C

### Утилизация

Отслужившие свой срок электроинструменты, принадлежности и упаковку следует сдавать на экологически чистую переработку отходов.



Утилизируйте электроинструмент

отдельно от бытового мусора!

### РАСШИФРОВКА ДАТЫ ИЗГОТОВЛЕНИЯ ИЗДЕЛИЯ

№. 

1	7	0	7	3	0	0	3	9	5
---	---	---	---	---	---	---	---	---	---

год месяц день

Дата изготовления изделия зашифрована в серийном номере, напечатанном на корпусе инструмента. Первые 2 цифры обозначают год выпуска, следующие 2 цифры – месяц и следующие 2 цифры - день.

### УСЛОВИЯ ГАРАНТИЙНОГО ОБСЛУЖИВАНИЯ

1. Настоящее гарантийное свидетельство является единственным документом, подтверждающим ваше право на бесплатное гарантийное обслуживание. Без предъявления данного свидетельства претензии не принимаются. В случае утери или порчи гарантийное свидетельство не восстанавливается.

2. Гарантийный срок на электроинструмент, а также зарядные устройства и аккумуляторные батареи серии OnePower составляет 12 месяцев со дня продажи, в течение гарантийного срока сервисная служба бесплатно устраняет производственные дефекты и производит замену деталей, вышедших из строя по вине изготовителя. На период гарантийного ремонта эквивалентный исправный инструмент не предоставляется. Заменяемые детали переходят в собственность служб сервиса.

Компания P.I.T. не несет ответственности за вред, который может быть причинен при

работе с электроинструментом.

3. В гарантийный ремонт инструмент принимается в чистом виде, при обязательном наличии надлежащим образом оформленных документов: настоящего гарантийного свидетельства, гарантийного талона, с полностью заполненными полями, штампом торговой организации и подписью покупателя.

4. Гарантийный ремонт не производится в следующих случаях:

- при отсутствии гарантийного свидетельства и гарантийного талона или неправильном их оформлении;

- при совместном выходе из строя якоря и статора электродвигателя, при обугливание или оплавлении первичной обмотки трансформатора сварочного аппарата, зарядного или пуско-зарядного устройства, при оплавлении внутренних деталей, прожиге электронных плат;

- если гарантийное свидетельство или талон не принадлежат данному электроинструменту или не соответствует установленному поставщиком образцу;

- по истечении срока гарантии;

- при попытках самостоятельного вскрытия или ремонта электроинструмента вне гарантийной мастерской;

- внесения конструктивных изменений и смазки инструмента в гарантийный период, о чем свидетельствуют, например, заломы на шлицевых частях крепежа корпусных деталей.

- при использовании электроинструмента в производственных или иных целях, связанных с получением прибыли, а также при возникновении неисправностей связанных с нестабильностью параметров электросети, превышающих нормы, установленные ГОСТ;

- при неправильной эксплуатации (использование электроинструмента не по назначению, установки на электроинструмент не предназначенных заводом-изготовителем насадок, дополнительных приспособлений и т.п.;

- при механических повреждениях корпуса, сетевого шнура и при повреждениях, вызванных воздействием агрессивных средств и высоких и низких температур, попадании инородных предметов в вентиляционные решетки электроинструмента, а также при повреждениях, наступивших в результате неправильного хранения (коррозия металлических частей);

- при естественном износе деталей электроинструмента, в результате длительной эксплуатации (определяется по признакам полной или частичной выработки ресурса, сильного загрязнения, ржавчины снаружи и внутри электроинструмента, отработанной смазки в редукторе);

- использование инструмента не по назначению, указанному в инструкции по эксплуатации.

- при механических повреждениях инструмента;

- при возникновении повреждений в связи с несоблюдением предусмотренных инструкцией условий эксплуатации (см. главу «Указание по технике безопасности» в инструкции).

- повреждение изделия вследствие несоблюдения правил хранения и транспортировки.

Профилактическое обслуживание электроинструмента (чистка, промывка, смазка, замена пыльников, поршневых и уплотнительных колец) в гарантийный период является платной услугой.

Срок службы изделия составляет 3 года. Срок хранения – 2 года. Не рекомендуется к эксплуатации по истечении 2 лет хранения с даты изготовления, которая указана в серийном номере на этикетке инструмента, без предварительной проверки (определение даты выпуска смотрите ранее в Руководстве пользователя).

О возможных нарушениях, изложенных выше условий гарантийного обслуживания, владельцу сообщается после проведения диагностики в сервисном центре.

Владелец инструмента доверяет проведение диагностики в сервисном центре в свое отсутствие.

Запрещается эксплуатация электроинструмента при проявлении признаков повышенного нагрева, искрения, а также шума в редукторной части. Для выяснения причин неисправности покупателю следует обратиться в гарантийную мастерскую.

Неисправности, вызванные несвоевременной заменой угольных щеток двигателя, устраняются за счет покупателя.

5. Гарантия не распространяется на:

- сменные принадлежности (аксессуары и оснастка), например: аккумуляторы, диски, ножи, сверла, буры, патроны, цепи, звездочки, цанговые зажимы, шины, элементы натяжения и крепления, головки триммеров, подошвы шлифовальных и ленточных

машин, фильтры, головки шестигранные сменные насадки и т.п.

- быстроизнашивающиеся детали, например: угольные щетки, приводные ремни, сальники, защитные кожухи, направляющие ролики, направляющие, резиновые уплотнения, подшипники, зубчатые ремни и колеса, стволы, ленты тормоза, храповики и тросы стартеров, поршневые кольца и т.п.

Замена их в течение гарантийного срока является платной услугой.

-шнуры питания, в случае повреждения изоляции, шнуры питания подлежат обязательной замене без согласия владельца (услуга платная), в т.ч. корпуса инструмента.

**P.I.T. WARRANTY CERTIFICATE**

Product Name \_\_\_\_\_

Product Serial Number Charger Serial Number 

Sale Date \_\_\_\_\_

Trade Organization Name \_\_\_\_\_

Place of seal

Dear customer!

Thank you for purchasing the P.I.T tool, and we hope that you will be satisfied with your choice. In the process of manufacturing the P.I.T tools pass multilevel quality control, if nevertheless your product will need maintenance, please contact the authorized P.I.T service centers.

Attention!

When buying, ask a seller to check the completeness and operability of the tool, to fill out the Warranty Certificate, the Warranty Card (the boxes shall be filled out by a seller) and to affix the seal of the trade organization in the Guarantee Certificate and the Warranty Card.

Warranty

By this Warranty Certificate, P.I.T. company guarantees the absence of defects of the production nature.

In the event any of the above defects are detected during the warranty period, the specialized P.I.T. service centers shall repair the product and replace the defective spare parts free of charge.

The warranty period for P.I.T. electric machines is 12 months from the date of sale.

“The warranty maintenance terms acknowledged and accepted. The operability and completeness of the product are checked in my presence. No claims on quality and appearance.”

Buyer's Signature \_\_\_\_\_ Surname (legibly) \_\_\_\_\_

Phone \_\_\_\_\_



**ГАРАНТИЙНОЕ СВИДЕТЕЛЬСТВО НА ИНСТРУМЕНТ P.I.T.**

Наименование изделия \_\_\_\_\_

Серийный номер изделия Серийный номер зарядного устройства 

Дата продажи « \_\_\_\_\_ » \_\_\_\_\_

Наименование торговой организации \_\_\_\_\_

Уважаемый покупатель!



Благодарим Вас за покупку инструмента P.I.T. и надеемся, что Вы останетесь довольны своим выбором.

При необходимости обслуживания Вашего изделия обращайтесь в авторизованные сервисные центры P.I.T. Все сервисные центры представлены на сайте [www.pittools.ru](http://www.pittools.ru)

**Внимание!**

При покупке требуйте у продавца проверки работоспособности инструмента и его комплектности, а также заполнения гарантийного свидетельства, гарантийного талона (графы «Заполняются продавцом») и простановки печати торговой организации в гарантийном свидетельстве и гарантийных талонах.

**Гарантия**

На основании данного гарантийного свидетельства компания P.I.T. гарантирует отсутствие дефектов производственного характера.

Если в течение гарантийного срока в Вашем изделии обнаружатся указанные дефекты, то специализированные сервисные центры P.I.T. бесплатно отремонтируют изделие и заменят дефектные запасные части.

Гарантийный срок на электроинструменты P.I.T. составляет 12 месяцев со дня продажи.

«С условиями гарантийного обслуживания ознакомлен(а). Работоспособность и комплектность изделия проверены в моем присутствии. Претензий к качеству и внешнему виду не имею».

Подпись покупателя \_\_\_\_\_ Фамилия (разборчиво)

Телефон \_\_\_\_\_

# P.I.T. WARRANTY CARD

		<b>P.I.T.</b>		<b>№ 1</b>	
Name _____ Serial Number _____ Sale Date _____ Date of Receipt from Repair _____ 20__	Name _____				
	Serial Number _____				
	Sale Date _____ 20__		Place of Seal		
	(Filled out by a Seller)				
	WARRANTY REPAIR CARD				
	Date of Acceptance for Repair _____ 20__				
	Application for Repair _____				
	Customer _____				
	Phone (Address) _____				
	Cause of Application _____				
Date of Receipt from Repair _____ 20__					
The Tool is checked in my presence _____					
(The Order shall be performed in a Service Center) (Signature)					

		<b>P.I.T.</b>		<b>№ 2</b>	
Name _____ Serial Number _____ Sale Date _____ Date of Receipt from Repair _____ 20__	Name _____				
	Serial Number _____				
	Sale Date _____ 20__		Place of Seal		
	(Filled out by a Seller)				
	WARRANTY REPAIR CARD				
	Date of Acceptance for Repair _____ 20__				
	Application for Repair _____				
	Customer _____				
	Phone (Address) _____				
	Cause of Application _____				
Date of Receipt from Repair _____ 20__					
The Tool is checked in my presence _____					
(The Order shall be performed in a Service Center) (Signature)					

		<b>P.I.T.</b>		<b>№ 3</b>	
Name _____ Serial Number _____ Sale Date _____ Date of Receipt from Repair _____ 20__	Name _____				
	Serial Number _____				
	Sale Date _____ 20__		Place of Seal		
	(Filled out by a Seller)				
	WARRANTY REPAIR CARD				
	Date of Acceptance for Repair _____ 20__				
	Application for Repair _____				
	Customer _____				
	Phone (Address) _____				
	Cause of Application _____				
Date of Receipt from Repair _____ 20__					
The Tool is checked in my presence _____					
(The Order shall be performed in a Service Center) (Signature)					

## ГАРАНТИЙНЫЙ ТАЛОН P.I.T.

P.I.T.

Талон № 1

Наименование \_\_\_\_\_  
 Серийный номер \_\_\_\_\_  
 Дата продажи « \_\_\_\_ » \_\_\_\_ 20\_\_ Place of Seal  
 (Заполняется продавцом)  
 КАРТА ГАРАНТИЙНОГО РЕМОНА  
 Дата сдачи в ремонт \_\_\_\_ 20\_\_  
 Заявка на ремонт \_\_\_\_\_  
 Заказчик \_\_\_\_\_  
 Телефон (адрес) \_\_\_\_\_  
 Причина обращения \_\_\_\_\_  
 Дата получения из ремонта \_\_\_\_ 20\_\_  
 Инструмент проверен в моем присутствии \_\_\_\_\_  
 (Заказ заполняется в Сервисном Центре) (Подпись)

Наименование \_\_\_\_\_  
 Серийный номер \_\_\_\_\_  
 Дата продажи \_\_\_\_ 20\_\_  
 Дата получения из ремонта \_\_\_\_ 20\_\_

P.I.T.

Талон № 2

Наименование \_\_\_\_\_  
 Серийный номер \_\_\_\_\_  
 Дата продажи « \_\_\_\_ » \_\_\_\_ 20\_\_ Place of Seal  
 (Заполняется продавцом)  
 КАРТА ГАРАНТИЙНОГО РЕМОНА  
 Дата сдачи в ремонт \_\_\_\_ 20\_\_  
 Заявка на ремонт \_\_\_\_\_  
 Заказчик \_\_\_\_\_  
 Телефон (адрес) \_\_\_\_\_  
 Причина обращения \_\_\_\_\_  
 Дата получения из ремонта \_\_\_\_ 20\_\_  
 Инструмент проверен в моем присутствии \_\_\_\_\_  
 (Заказ заполняется в Сервисном Центре) (Подпись)

Наименование \_\_\_\_\_  
 Серийный номер \_\_\_\_\_  
 Дата продажи \_\_\_\_ 20\_\_  
 Дата получения из ремонта \_\_\_\_ 20\_\_

P.I.T.

Талон № 3

Наименование \_\_\_\_\_  
 Серийный номер \_\_\_\_\_  
 Дата продажи « \_\_\_\_ » \_\_\_\_ 20\_\_ Place of Seal  
 (Заполняется продавцом)  
 КАРТА ГАРАНТИЙНОГО РЕМОНА  
 Дата сдачи в ремонт \_\_\_\_ 20\_\_  
 Заявка на ремонт \_\_\_\_\_  
 Заказчик \_\_\_\_\_  
 Телефон (адрес) \_\_\_\_\_  
 Причина обращения \_\_\_\_\_  
 Дата получения из ремонта \_\_\_\_ 20\_\_  
 Инструмент проверен в моем присутствии \_\_\_\_\_  
 (Заказ заполняется в Сервисном Центре) (Подпись)

Наименование \_\_\_\_\_  
 Серийный номер \_\_\_\_\_  
 Дата продажи \_\_\_\_ 20\_\_  
 Дата получения из ремонта \_\_\_\_ 20\_\_



www.pit-tools.com

# P.I.T.

**Поставщик / производитель:** Xinjiang Longbo Industrial Co., Ltd./Синьцзян Лонгбо Индастриал Ко., Лтд.

**Адрес производства:** Rm. 602, 6th Floor, No. 531, Weixing Road, Economic And Technological Development Zone, Urumqi, Xinjiang, China / Оф.602, 6 этаж, №531, Вейшинг Род, Экономик Энд Технолджикал Девелопмент Зон, Урумчи, Синьцзян, Китай

**Импортер/ организация, уполномоченная принимать претензии:** ООО«Турбо-Тулс»

**Юридический адрес:** 117246, г. Москва, ул. Херсонская, 43 - 670

**Вопросы и предложения направляйте по адресу:** 614058, г. Пермь, ул. Фоминская, 36

[info@pittools.ru](mailto:info@pittools.ru)

**Сделано в КНР / Made in China**



**TM**by  
ONLINE STORE

<https://tm.by>  
Интернет-магазин