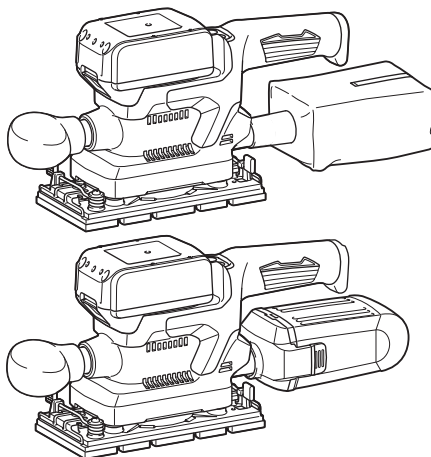


EN	Cordless Finishing Sander	INSTRUCTION MANUAL	8
SV	Batteridreven planslipmaskin	BRUKSANVISNING	19
NO	Batteridrevet finslipemaskin	BRUKSANVISNING	30
FI	Akkukäyttöinen viimeistelyhiomakone	KÄYTTÖOHJE	41
DA	Akku svingsliber	BRUGSANVISNING	52
LV	Bezvada apdares slīpmašīna	LIETOŠANAS INSTRUKCIJA	63
LT	Belaidis šlifuo tuvas	NAUDOJIMO INSTRUKCIJA	74
ET	Juhtmeta taldlihvija	KASUTUSJUHEND	85
RU	Аккумуляторная вибрационная шлифмашина	РУКОВОДСТВО ПО ЭКСПЛУАТАЦИИ	96

DBO380 DBO381



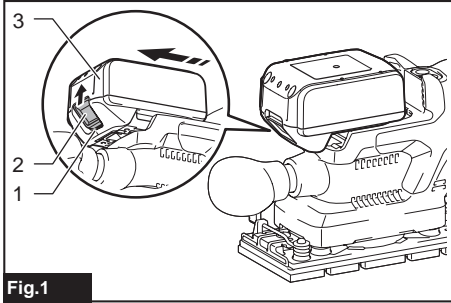


Fig.1

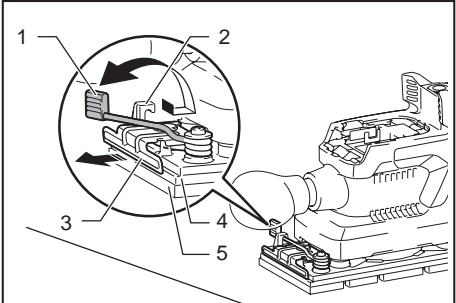


Fig.5

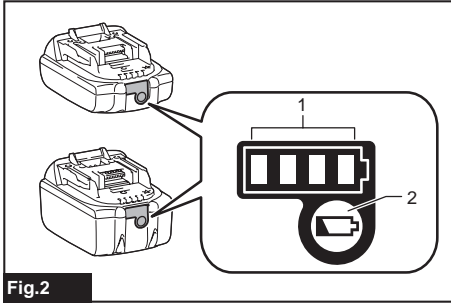


Fig.2

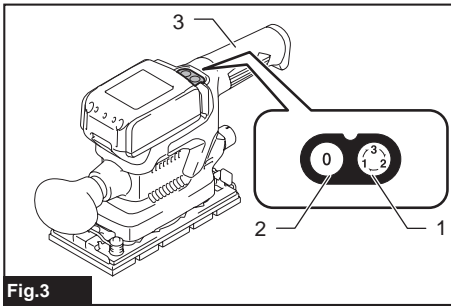
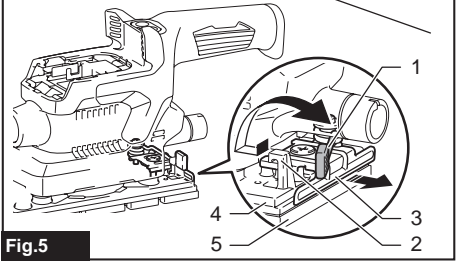


Fig.3

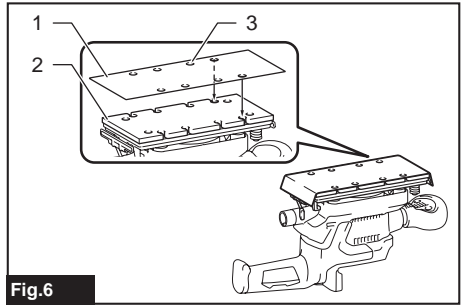


Fig.6

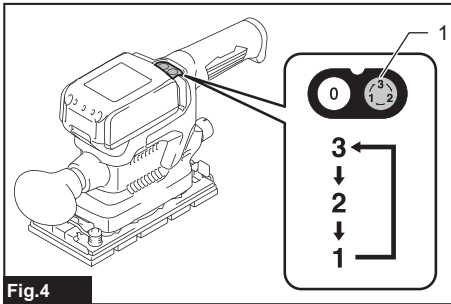
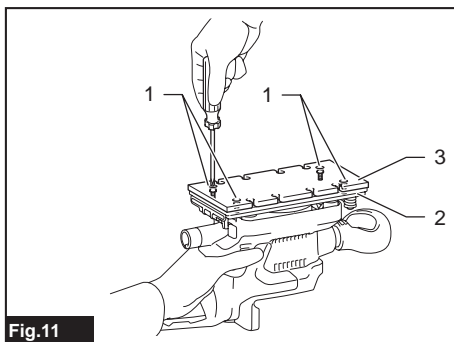
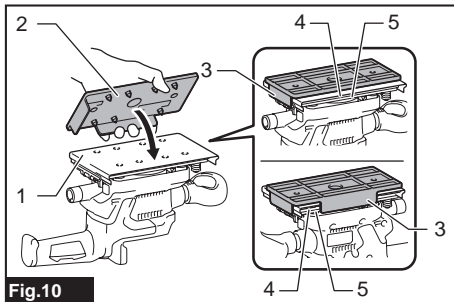
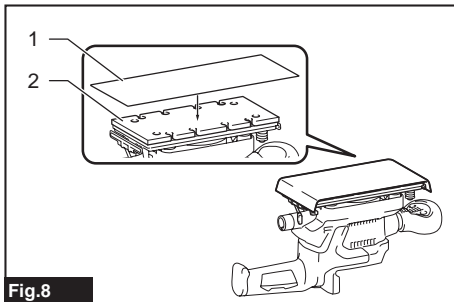
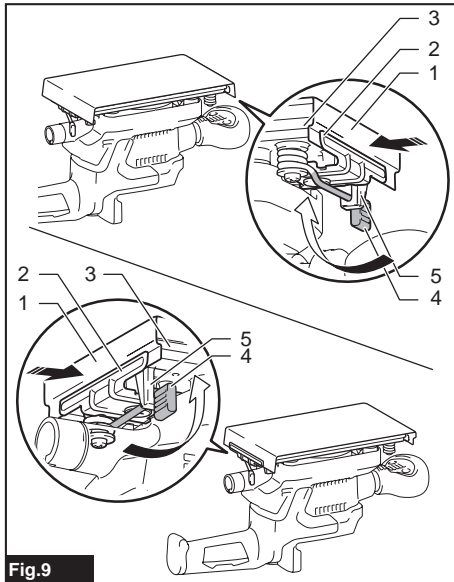
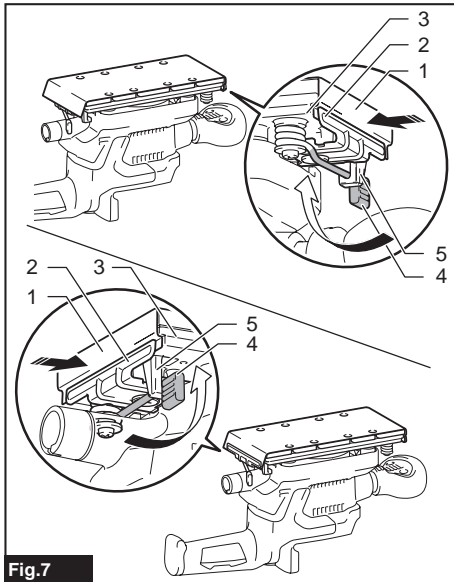
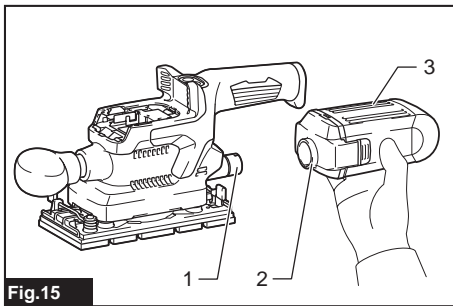
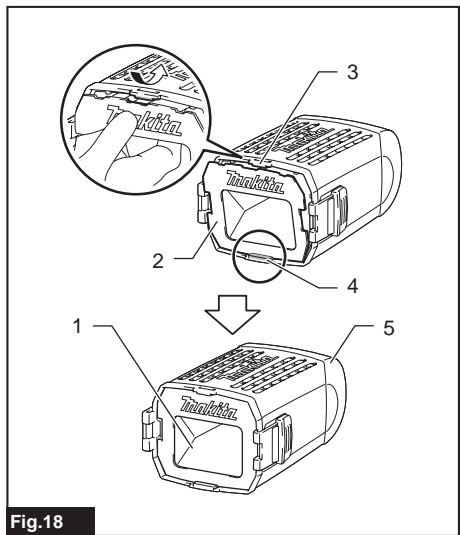
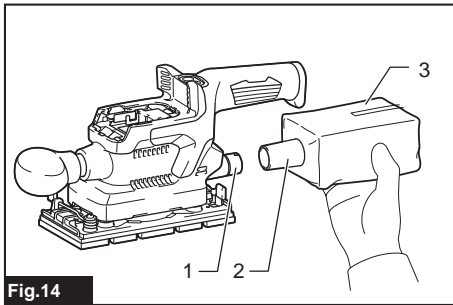
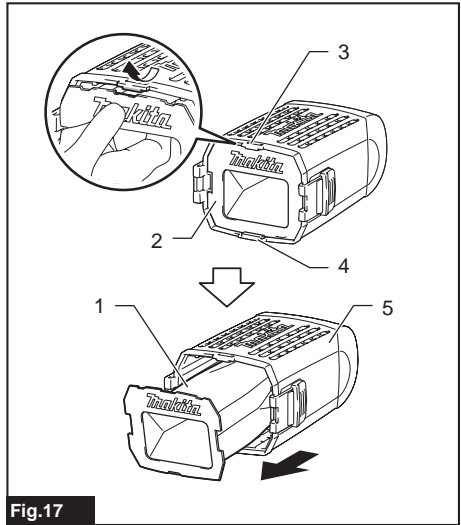
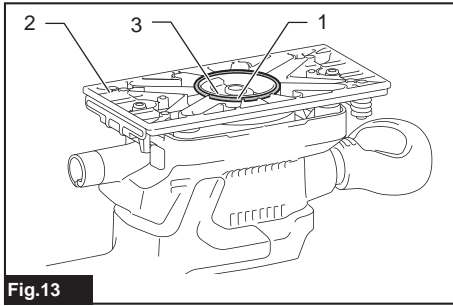
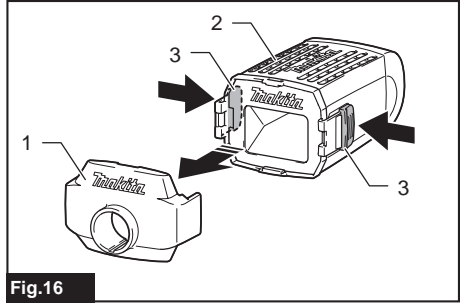
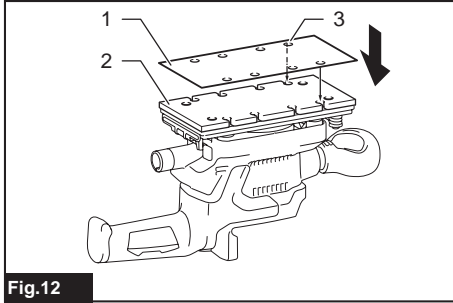


Fig.4





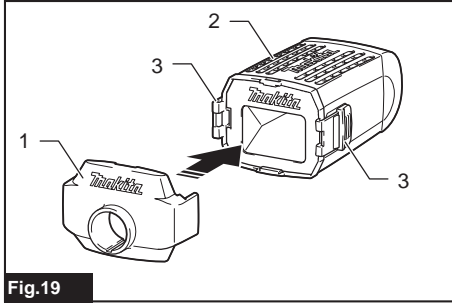


Fig.19

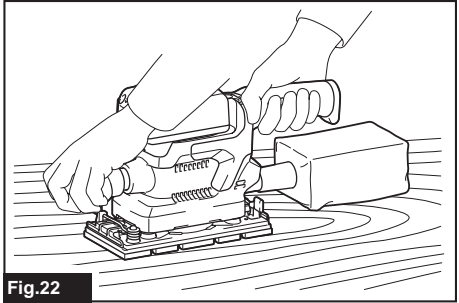


Fig.22

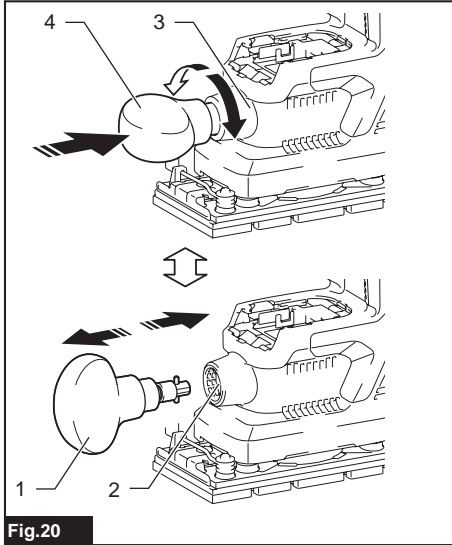


Fig.20

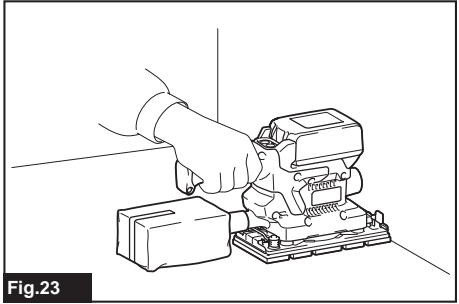


Fig.23

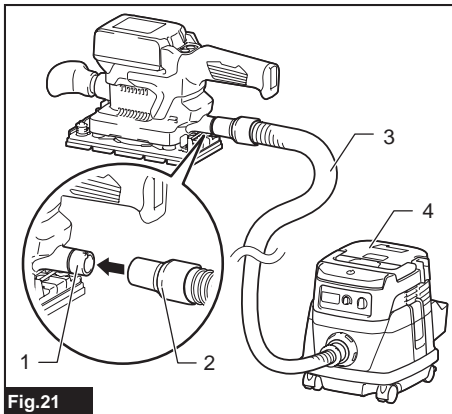


Fig.21

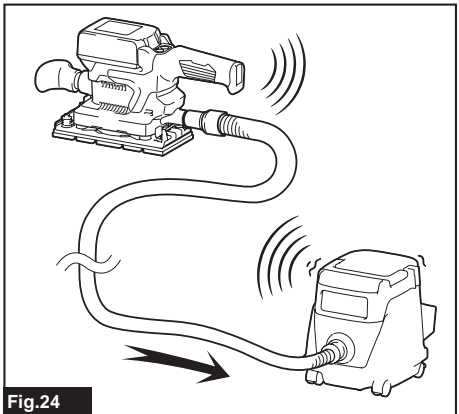


Fig.24

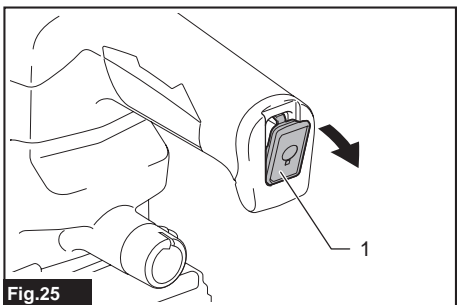
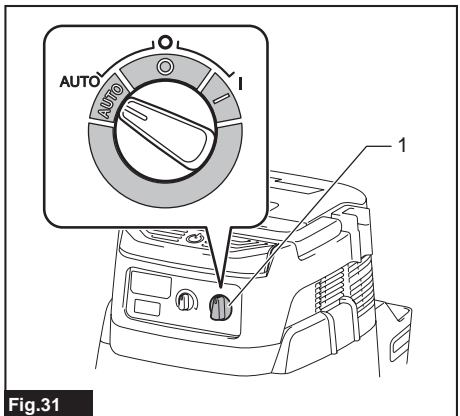
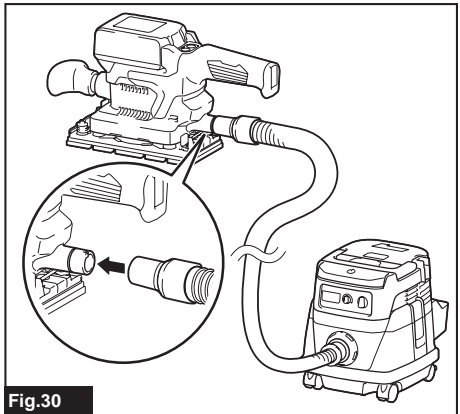
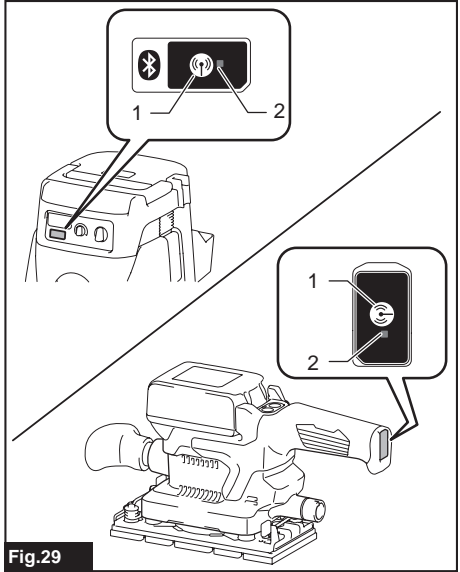
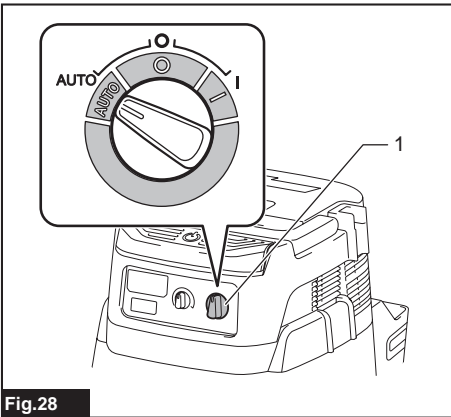
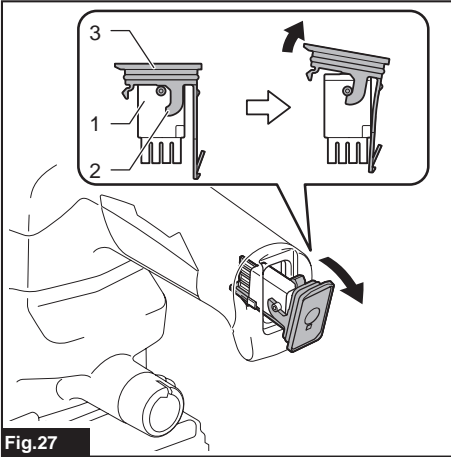
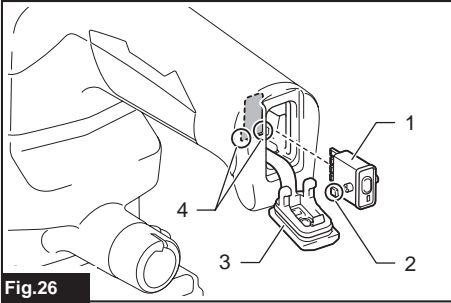
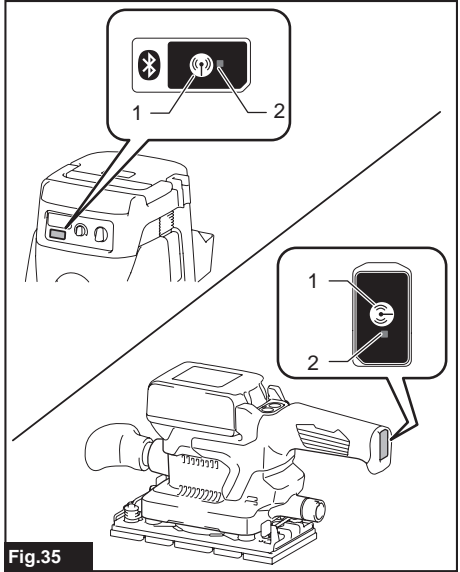
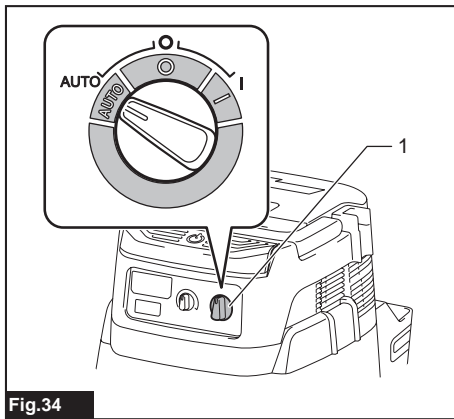
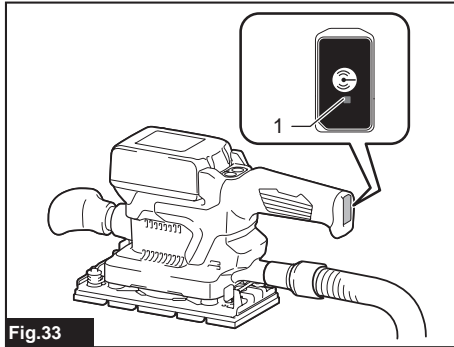
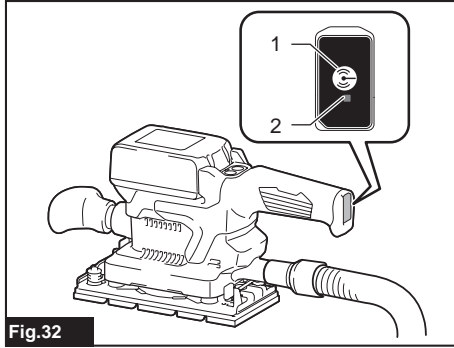


Fig.25





SPECIFICATIONS

Model:	DBO380	DBO381
Pad size	92 mm x 185 mm	
Abrasive paper size	93 mm x 228 mm	
Orbits per minute	High	12,000 min ⁻¹
	Medium	8,000 min ⁻¹
	Low	4,000 min ⁻¹
Overall length (with front grip)	336 mm	
Rated voltage	D.C. 18 V	
Net weight	1.9 - 2.2 kg	

- Due to our continuing program of research and development, the specifications herein are subject to change without notice.
- Specifications and battery cartridge may differ from country to country.
- The weight may differ depending on the attachment(s), including the battery cartridge. The lightest and heaviest combinations, according to EPTA-Procedure 01/2014, are shown in the table.

Applicable battery cartridge and charger

Battery cartridge	BL1815N / BL1820B / BL1830B / BL1840B / BL1850B / BL1860B
Charger	DC18RC / DC18RD / DC18RE / DC18SD / DC18SE / DC18SF / DC18SH

- Some of the battery cartridges and chargers listed above may not be available depending on your region of residence.

⚠ WARNING: Only use the battery cartridges and chargers listed above. Use of any other battery cartridges and chargers may cause injury and/or fire.

Intended use

The tool is intended for the sanding of large surface of wood, plastic and metal materials as well as painted surfaces.

Noise

The typical A-weighted noise level determined according to EN62841-2-4:

Model DBO380

Sound pressure level (L_{pA}): 72 dB(A)
Uncertainty (K): 3 dB(A)

Model DBO381

Sound pressure level (L_{pA}): 72 dB(A)
Uncertainty (K): 3 dB(A)

The noise level under working may exceed 80 dB (A).

NOTE: The declared noise emission value(s) has been measured in accordance with a standard test method and may be used for comparing one tool with another.

NOTE: The declared noise emission value(s) may also be used in a preliminary assessment of exposure.

⚠ WARNING: Wear ear protection.

⚠ WARNING: The noise emission during actual use of the power tool can differ from the declared value(s) depending on the ways in which the tool is used especially what kind of workpiece is processed.

⚠ WARNING: Be sure to identify safety measures to protect the operator that are based on an estimation of exposure in the actual conditions of use (taking account of all parts of the operating cycle such as the times when the tool is switched off and when it is running idle in addition to the trigger time).

Vibration

The vibration total value (tri-axial vector sum) determined according to EN62841-2-4:

Model DBO380

Work mode: sanding metal plate
Vibration emission (a_{hv}): 3.6 m/s²
Uncertainty (K): 1.5 m/s²

Model DBO381

Work mode: sanding metal plate
Vibration emission (a_{hv}): 3.6 m/s²
Uncertainty (K): 1.5 m/s²

NOTE: The declared vibration total value(s) has been measured in accordance with a standard test method and may be used for comparing one tool with another.

NOTE: The declared vibration total value(s) may also be used in a preliminary assessment of exposure.

⚠️ WARNING: The vibration emission during actual use of the power tool can differ from the declared value(s) depending on the ways in which the tool is used especially what kind of workpiece is processed.

⚠️ WARNING: Be sure to identify safety measures to protect the operator that are based on an estimation of exposure in the actual conditions of use (taking account of all parts of the operating cycle such as the times when the tool is switched off and when it is running idle in addition to the trigger time).

EC Declaration of Conformity

For European countries only

The EC declaration of conformity is included as Annex A to this instruction manual.

SAFETY WARNINGS

General power tool safety warnings

⚠️ WARNING: Read all safety warnings, instructions, illustrations and specifications provided with this power tool. Failure to follow all instructions listed below may result in electric shock, fire and/or serious injury.

Save all warnings and instructions for future reference.

The term "power tool" in the warnings refers to your mains-operated (corded) power tool or battery-operated (cordless) power tool.

Sander safety warnings

1. Always use safety glasses or goggles. Ordinary eye or sun glasses are NOT safety glasses.
2. Hold the tool firmly.
3. Do not leave the tool running. Operate the tool only when hand-held.
4. This tool has not been waterproofed, so do not use water on the workpiece surface.
5. Ventilate your work area adequately when you perform sanding operations.
6. Some material contains chemicals which may be toxic. Take caution to prevent dust inhalation and skin contact. Follow material supplier safety data.
7. Use of this tool to sand some products, paints and wood could expose user to dust containing hazardous substances. Use appropriate respiratory protection.
8. Be sure that there are no cracks or breakage on the pad before use. Cracks or breakage may cause a personal injury.
9. Watch your footing and maintain your balance with the tool. Make sure there is no one below when working in high locations.

SAVE THESE INSTRUCTIONS.

⚠️ WARNING: DO NOT let comfort or familiarity with product (gained from repeated use) replace strict adherence to safety rules for the subject product. MISUSE or failure to follow the safety rules stated in this instruction manual may cause serious personal injury.

Important safety instructions for battery cartridge

1. Before using battery cartridge, read all instructions and cautionary markings on (1) battery charger, (2) battery, and (3) product using battery.
2. Do not disassemble or tamper with the battery cartridge. It may result in a fire, excessive heat, or explosion.
3. If operating time has become excessively shorter, stop operating immediately. It may result in a risk of overheating, possible burns and even an explosion.
4. If electrolyte gets into your eyes, rinse them out with clear water and seek medical attention right away. It may result in loss of your eyesight.
5. Do not short the battery cartridge:
 - (1) Do not touch the terminals with any conductive material.
 - (2) Avoid storing battery cartridge in a container with other metal objects such as nails, coins, etc.
 - (3) Do not expose battery cartridge to water or rain.

A battery short can cause a large current flow, overheating, possible burns and even a breakdown.

6. Do not store and use the tool and battery cartridge in locations where the temperature may reach or exceed 50 °C (122 °F).
7. Do not incinerate the battery cartridge even if it is severely damaged or is completely worn out. The battery cartridge can explode in a fire.
8. Do not nail, cut, crush, throw, drop the battery cartridge, or hit against a hard object to the battery cartridge. Such conduct may result in a fire, excessive heat, or explosion.
9. Do not use a damaged battery.
10. The contained lithium-ion batteries are subject to the Dangerous Goods Legislation requirements.

For commercial transports e.g. by third parties, forwarding agents, special requirement on packaging and labeling must be observed.
For preparation of the item being shipped, consulting an expert for hazardous material is required. Please also observe possibly more detailed national regulations.
Tape or mask off open contacts and pack up the battery in such a manner that it cannot move around in the packaging.
11. When disposing the battery cartridge, remove it from the tool and dispose of it in a safe place. Follow your local regulations relating to disposal of battery.

12. Use the batteries only with the products specified by Makita. Installing the batteries to non-compliant products may result in a fire, excessive heat, explosion, or leak of electrolyte.
 13. If the tool is not used for a long period of time, the battery must be removed from the tool.
 14. During and after use, the battery cartridge may take on heat which can cause burns or low temperature burns. Pay attention to the handling of hot battery cartridges.
 15. Do not touch the terminal of the tool immediately after use as it may get hot enough to cause burns.
 16. Do not allow chips, dust, or soil stuck into the terminals, holes, and grooves of the battery cartridge. It may result in poor performance or breakdown of the tool or battery cartridge.
 17. Unless the tool supports the use near high-voltage electrical power lines, do not use the battery cartridge near high-voltage electrical power lines. It may result in a malfunction or breakdown of the tool or battery cartridge.
 18. Keep the battery away from children.
6. Do not operate the wireless unit in places where medical instruments, such as heart pace makers are nearby.
 7. Do not operate the wireless unit in places where automated devices are nearby. If operated, automated devices may develop malfunction or error.
 8. Do not operate the wireless unit in places under high temperature or places where static electricity or electrical noise could be generated.
 9. The wireless unit can produce electromagnetic fields (EMF) but they are not harmful to the user.
 10. The wireless unit is an accurate instrument. Be careful not to drop or strike the wireless unit.
 11. Avoid touching the terminal of the wireless unit with bare hands or metallic materials.
 12. Always remove the battery on the product when installing the wireless unit into it.
 13. When opening the lid of the slot, avoid the place where dust and water may come into the slot. Always keep the inlet of the slot clean.
 14. Always insert the wireless unit in the correct direction.
 15. Do not press the wireless activation button on the wireless unit too hard and/or press the button with an object with a sharp edge.
 16. Always close the lid of the slot when operating.
 17. Do not remove the wireless unit from the slot while the power is being supplied to the tool. Doing so may cause a malfunction of the wireless unit.
 18. Do not remove the sticker on the wireless unit.
 19. Do not put any sticker on the wireless unit.
 20. Do not leave the wireless unit in a place where static electricity or electrical noise could be generated.
 21. Do not leave the wireless unit in a place subject to high heat, such as a car sitting in the sun.
 22. Do not leave the wireless unit in a dusty or powdery place or in a place corrosive gas could be generated.
 23. Sudden change of the temperature may bedew the wireless unit. Do not use the wireless unit until the dew is completely dried.
 24. When cleaning the wireless unit, gently wipe with a dry soft cloth. Do not use benzine, thinner, conductive grease or the like.
 25. When storing the wireless unit, keep it in the supplied case or a static-free container.
 26. Do not insert any devices other than Makita wireless unit into the slot on the tool.
 27. Do not use the tool with the lid of the slot damaged. Water, dust, and dirt come into the slot may cause malfunction.
 28. Do not pull and/or twist the lid of the slot more than necessary. Restore the lid if it comes off from the tool.
 29. Replace the lid of the slot if it is lost or damaged.

SAVE THESE INSTRUCTIONS.

⚠ CAUTION: Only use genuine Makita batteries. Use of non-genuine Makita batteries, or batteries that have been altered, may result in the battery bursting causing fires, personal injury and damage. It will also void the Makita warranty for the Makita tool and charger.

Tips for maintaining maximum battery life

1. Charge the battery cartridge before completely discharged. Always stop tool operation and charge the battery cartridge when you notice less tool power.
2. Never recharge a fully charged battery cartridge. Overcharging shortens the battery service life.
3. Charge the battery cartridge with room temperature at 10 °C - 40 °C (50 °F - 104 °F). Let a hot battery cartridge cool down before charging it.
4. When not using the battery cartridge, remove it from the tool or the charger.
5. Charge the battery cartridge if you do not use it for a long period (more than six months).

Important safety instructions for wireless unit

1. Do not disassemble or tamper with the wireless unit.
2. Keep the wireless unit away from young children. If accidentally swallowed, seek medical attention immediately.
3. Use the wireless unit only with Makita tools.
4. Do not expose the wireless unit to rain or wet conditions.
5. Do not use the wireless unit in places where the temperature exceeds 50 °C (122 °F).

SAVE THESE INSTRUCTIONS.

FUNCTIONAL DESCRIPTION

CAUTION: Always be sure that the tool is switched off and the battery cartridge is removed before adjusting or checking function on the tool.

Installing or removing battery cartridge

CAUTION: Always switch off the tool before installing or removing of the battery cartridge.

CAUTION: Hold the tool and the battery cartridge firmly when installing or removing battery cartridge. Failure to hold the tool and the battery cartridge firmly may cause them to slip off your hands and result in damage to the tool and battery cartridge and a personal injury.

► Fig.1: 1. Red indicator 2. Button 3. Battery cartridge

To remove the battery cartridge, slide it from the tool while sliding the button on the front of the cartridge.

To install the battery cartridge, align the tongue on the battery cartridge with the groove in the housing and slip it into place. Insert it all the way until it locks in place with a little click. If you can see the red indicator as shown in the figure, it is not locked completely.

CAUTION: Always install the battery cartridge fully until the red indicator cannot be seen. If not, it may accidentally fall out of the tool, causing injury to you or someone around you.

CAUTION: Do not install the battery cartridge forcibly. If the cartridge does not slide in easily, it is not being inserted correctly.

Battery protector

Use a battery protector supplied with the tool to safeguard and shield the battery cartridge.

CAUTION: Always remove the battery cartridge from the tool before installing and uninstalling a battery protector.

CAUTION: Never hand hold a battery protector when carrying the tool from one area to another or when holding the tool while not in use.

NOTICE: A battery protector can only be installed in among battery models BL1830B / BL1840B / BL1850B / BL1860B.

Indicating the remaining battery capacity

Only for battery cartridges with the indicator

► Fig.2: 1. Indicator lamps 2. Check button

Press the check button on the battery cartridge to indicate the remaining battery capacity. The indicator lamps light up for a few seconds.

Indicator lamps			Remaining capacity
Lighted	Off	Blinking	
■	■	■	75% to 100%
■	■	□	50% to 75%
■	□	□	25% to 50%
■	□	□	0% to 25%
◻	□	□	Charge the battery.
■	■	□	The battery may have malfunctioned.
□	□	■	

NOTE: Depending on the conditions of use and the ambient temperature, the indication may differ slightly from the actual capacity.

NOTE: The first (far left) indicator lamp will blink when the battery protection system works.

Tool / battery protection system

The tool is equipped with a tool/battery protection system. This system automatically cuts off power to the motor to extend tool and battery life. The tool will automatically stop during operation if the tool or battery is placed under one of the following conditions:

Overload protection

When the tool or battery is operated in a manner that causes it to draw an abnormally high current, the tool automatically stops without any indication. In this situation, turn the tool off and stop the application that caused the tool to become overloaded. Then turn the tool on to restart.

Overheat protection

When the tool or battery is overheated, the tool stops automatically. In this case, let the tool and battery cool before turning the tool on again.

Overdischarge protection

When the battery capacity is not enough, the tool stops automatically. In this case, remove the battery from the tool and charge the battery.

Switch action

CAUTION: Avoid turning the tool on while it is placed on the workpiece or on your workbench. It may cause personal injury or damage.

Turning the tool on and off

Press the power/speed select button on the top of the main handle to start the tool. The tool starts to run at its highest orbital speed.

Press the stop button to pause or cease operation.

► **Fig.3:** 1. Power/speed select button 2. Stop button 3. Main handle

Changing the tool speed

The orbital speed can be changed in three modes, that is, high, medium and low depending on the application and workload. Press the power/speed select button to switch speed mode.

► **Fig.4:** 1. Power/speed select button

Speed settings table

Speed level	Orbital per minute
3 (High)	12,000 min ⁻¹ (/min)
2 (Medium)	8,000 min ⁻¹ (/min)
1 (Low)	4,000 min ⁻¹ (/min)

NOTICE: If the tool is operated continuously at low speeds for a long time, the motor will get overloaded, resulting in tool malfunction.

NOTICE: Select an appropriate speed range for your sanding operations to avoid overheating and melting the workpiece. Sanding at high orbital speed may heat workpiece and melt it at the point of contact.

Electronic function

The tool is equipped with the electronic function for easy operation.

Constant speed control

This function serves a constant orbital speed to obtain fine finish.

ASSEMBLY

CAUTION: Always be sure that the tool is switched off and the battery cartridge is removed before carrying out any work on the tool.

Installing and removing abrasive paper

CAUTION: Always make sure that a sheet of abrasive paper is installed securely before use. The paper may otherwise be loosened, removed easily and subject to slippage, resulting in uneven sanding operation.

Using abrasive paper supplied with tool

1. Push and hold down the clamp lever on either front or rear end of the pad, and slide it away from the stopper so the clamp is released from its fastened position.

2. Pull the clamp lever outwards as far as possible to create a space between the clamp and side wall of the sanding base in which one end of abrasive paper can be inserted.

► **Fig.5:** 1. Clamp lever 2. Stopper 3. Clamp 4. Sanding base 5. Pad

3. Place a sheet of abrasive paper over the pad, aligning the dust-suction holes in the paper with those in the pad.

► **Fig.6:** 1. Abrasive paper 2. Pad 3. Dust-suction hole

4. Slip one end of the abrasive paper into the space between the clamp and sanding base.

5. Set the clamp lever back in a locked position so the end of abrasive paper is clamped securely.

6. Release the clamp on the other end, and have the other end of abrasive paper ready to be clamped.

7. Maintain a proper tension on abrasive paper, and then set the clamp lever on the other end in a locked position.

► **Fig.7:** 1. Abrasive paper 2. Clamp 3. Sanding base 4. Clamp lever 5. Stopper

8. To remove the abrasive paper, release the clamps on both ends and take the paper off the pad.

Using abrasive paper available in the market

1. Cut a sheet of abrasive paper down to an appropriate size.

► **Fig.8:** 1. Abrasive paper 2. Pad

2. Push and hold down the clamp lever on either front or rear end of the pad, and slide it away from the stopper so the clamp is released from its fastened position.

3. Pull the clamp lever outwards as far as possible to create a space between the clamp and side wall of the sanding base in which one end of abrasive paper can be inserted.

4. Slip one end of the abrasive paper into the space between the clamp and sanding base.

5. Reposition the abrasive paper so it is finely overlaid on the pad surface.

6. Set the clamp lever back in a locked position to clamp the end of abrasive paper securely.

7. Release the clamp on the other end, and have the other end of abrasive paper ready to be clamped.

8. Maintain a proper tension on abrasive paper, and then set the clamp lever on the other end in a locked position.

► **Fig.9:** 1. Abrasive paper 2. Clamp 3. Sanding base 4. Clamp lever 5. Stopper

9. Cover the abrasive paper with the punch plate with its positioning stoppers adjacent to the corner well fit onto two of the side edges of the pad and sanding base.

► **Fig.10:** 1. Abrasive paper 2. Punch plate 3. Positioning stoppers 4. Pad 5. Sanding base

10. Push the punch plate over the abrasive paper to make dust-suction holes.

11. To remove the abrasive paper, release the clamps on both ends and take the paper off the pad.

Using hook-and-loop abrasive paper

Optional accessory

CAUTION: Make sure to install a hook-and-loop pad correctly and securely. A loose attachment will run out of balance and cause an excessive vibration resulting in loss of control.

CAUTION: Be sure that a hook-and-loop pad and abrasive paper are aligned and securely attached.

CAUTION: Only use hook-and-loop abrasive papers. Never use pressure-sensitive abrasive papers.

1. Loosen and remove the four screws securing the pad to the sanding base.
2. Replace the standard-equipped pad with an optional hook-and-loop pad.
3. Re-tighten the screws firmly to secure the hook-and-loop pad.

► **Fig.11:** 1. Screws 2. Sanding base 3. Pad

4. Remove all dirt and foreign matter from the hook-and-loop pad.

5. Attach a sheet of optional hook-and-loop abrasive paper to the pad, aligning the dust-suction holes in the paper with those in the pad.

► **Fig.12:** 1. Abrasive paper 2. Pad 3. Dust-suction holes

6. To remove the abrasive paper, peel it off from the edge.

CAUTION: The O ring may come out of the sanding base while replacing the pad. Set the O ring back in the circular grooves around the center of the base before installing the optional pad.

► **Fig.13:** 1. O ring 2. Sanding base 3. Circular grooves

Installing and removing dust bag

Optional accessory

Attach the dust bag over the tapered dust spout at the back end of the motor housing. Put the dust inlet of the bag onto the dust spout as far as it will go to avoid it from coming off during operation.

► **Fig.14:** 1. Dust spout 2. Dust inlet 3. Dust bag

NOTE: Make sure to attach the dust bag with its zipper slider facing downwards.

NOTE: To ensure optimal dust collecting, empty the dust bag when it becomes filled to approximately half of its capacity.

Remove the dust bag from the tool and pull the fastener out. Then gently shake or tap the dust bag to empty.

Installing and removing dust box

Optional accessory

Attach the dust box over the tapered dust spout at the back end of the motor housing. Put the dust nozzle onto the dust spout as far as it will go to avoid it from coming off during operation.

► **Fig.15:** 1. Dust spout 2. Dust nozzle 3. Dust box

NOTE: To ensure optimal dust collecting, empty the dust box when it becomes filled to approximately half of its capacity.

1. Remove the dust box from the tool.
2. Detach the dust nozzle from the box while pressing and holding the locking latches on both sides of the box.
3. Gently shake or tap the dust box to empty.

Replacing filter

NOTICE: Be aware to align the logos on all the dust box, filter and dust nozzle in a consistent orientation when reassembling components.

1. Remove the dust box from the tool.
2. Detach the dust nozzle from the box while pressing and holding the locking latches on both sides of the box.

► **Fig.16:** 1. Dust nozzle 2. Dust box 3. Locking latch

3. Hold the inner top edge of the cardboard opening, and pull it off downwards to disengage the outer top edge of the cardboard opening from the upper hooking tab on the lip of the dust box.

4. Take the filter out of the dust box while pulling the outer bottom edge of the cardboard opening free from the lower hooking tab.

► **Fig.17:** 1. Filter 2. Cardboard opening 3. Upper hooking tab 4. Lower hooking tab 5. Dust box

5. Replace a filter by engaging the bottom edge of the cardboard opening in the lower hooking tab and push the top edge inwards until it clips into the upper hooking tab.

► **Fig.18:** 1. Filter 2. Cardboard opening 3. Upper hooking tab 4. Lower hooking tab 5. Dust box

6. Snap the dust nozzle into place while pressing and holding the locking latches on both sides of the dust box.

► **Fig.19:** 1. Dust nozzle 2. Dust box 3. Locking latch

Removing and installing front grip

CAUTION: After reassembly, pull the front grip to check if it is securely attached together.

NOTICE: Make sure to push the front grip fully into the slot end and keep it positioned where it is while rotating the front grip. Failure to do so may cause damage to the tool.

By removing the detachable front grip, sanding operation in tight, confined and hard-to-reach areas can be performed effectively.

Uninstallation

Push and hold the front grip firmly towards the motor housing and rotate it 90 degrees to either the left or right. Then pull it apart from the tool.

Installation

Insert the end of the front grip into the slot on the motor housing, aligning the outlines of the grip end with those of the slot. Push and hold the front grip firmly towards the housing and rotate it 90 degrees with its gripping surface facing upwards.

- **Fig.20:** 1. Front grip 2. Slot 3. Motor housing
4. Gripping surface

Connecting with vacuum cleaner

Optional accessory

When you wish to perform clean sanding operation, connect a Makita vacuum cleaner to your tool. Use either an optional horse 28 mm or a combination of front cuffs 22 and hose provided with the cleaner to establish a connection.

- **Fig.21:** 1. Dust spout 2. Front cuffs 3. Hose
4. Vacuum cleaner

OPERATION

Sanding operation

⚠ CAUTION: Never run the tool without the abrasive paper. You may seriously damage the pad.

⚠ CAUTION: Never force the tool. Excessive pressure may decrease the sanding efficiency, damage the abrasive paper and/or shorten tool life.

Sanding open areas

1. Hold the tool firmly with your both hands, one hand on the handle and the other on the front grip.
2. Turn the tool on and wait until it attains full speed.
3. Gently place the tool on the workpiece surface.
4. Keep the entire pad level and even with the surface and apply slight pressure on the tool.

► **Fig.22**

Sanding confined areas

1. Detach the front grip from the tool.
2. Hold the handle with one hand.
3. Turn the tool on and wait until it attains full speed.
4. Gently place the tool on the workpiece surface.
5. Keep the entire pad level and even with the surface and apply slight pressure on the tool.
6. Move the tool along curves, wall faces and in other confined spaces, sanding with the front and corner edges of the pad as you need.

► **Fig.23**

WIRELESS ACTIVATION FUNCTION

For model DBO381 only

NOTICE: The wireless function is only available when the supported vacuum cleaner is being installed.

What you can do with the wireless activation function

The wireless activation function enables clean and comfortable operation. By connecting a supported vacuum cleaner to the tool, you can run the vacuum cleaner automatically along with the switch operation of the tool.

► **Fig.24**

To use the wireless activation function, prepare following items:

- A wireless unit (optional accessory)
- A vacuum cleaner which supports the wireless activation function

The overview of the wireless activation function setting is as follows. Refer to each section for detail procedures.

1. Installing the wireless unit
2. Tool registration for the vacuum cleaner
3. Starting the wireless activation function

Installing the wireless unit

Optional accessory

⚠ CAUTION: Place the tool on a flat and stable surface when installing the wireless unit.

NOTICE: Clean the dust and dirt on the tool before installing the wireless unit. Dust or dirt may cause malfunction if it comes into the slot of the wireless unit.

NOTICE: To prevent the malfunction caused by static, touch a static discharging material, such as a metal part of the tool, before picking up the wireless unit.

NOTICE: When installing the wireless unit, always be sure that the wireless unit is inserted in the correct direction and the lid is completely closed.

1. Open the lid on the tool as shown in the figure.
► **Fig.25:** 1. Lid
2. Insert the wireless unit to the slot and then close the lid.

When inserting the wireless unit, align the projections with the recessed portions on the slot.

- **Fig.26:** 1. Wireless unit 2. Projection 3. Lid
4. Recessed portion

When removing the wireless unit, open the lid slowly. The hooks on the back of the lid will lift the wireless unit as you pull up the lid.

► **Fig.27:** 1. Wireless unit 2. Hook 3. Lid

After removing the wireless unit, keep it in the supplied case or a static-free container.

NOTICE: Always use the hooks on the back of the lid when removing the wireless unit. If the hooks do not catch the wireless unit, close the lid completely and open it slowly again.

Tool registration for the vacuum cleaner

NOTE: A Makita vacuum cleaner supporting the wireless activation function is required for the tool registration.

NOTE: Finish installing the wireless unit to the tool before starting the tool registration.

NOTE: During the tool registration, do not pull the switch trigger or turn on the power switch on the vacuum cleaner.

NOTE: Refer to the instruction manual of the vacuum cleaner, too.

If you wish to activate the vacuum cleaner along with the switch operation of the tool, finish the tool registration beforehand.

1. Install the batteries to the vacuum cleaner and the tool.

2. Set the stand-by switch on the vacuum cleaner to "AUTO".

► **Fig.28:** 1. Stand-by switch

3. Press the wireless activation button on the vacuum cleaner for 3 seconds until the wireless activation lamp blinks in green. And then press the wireless activation button on the tool in the same way.

► **Fig.29:** 1. Wireless activation button 2. Wireless activation lamp

If the vacuum cleaner and the tool are linked successfully, the wireless activation lamps will light up in green for 2 seconds and start blinking in blue.

NOTE: The wireless activation lamps finish blinking in green after 20 seconds elapsed. Press the wireless activation button on the tool while the wireless activation lamp on the cleaner is blinking. If the wireless activation lamp does not blink in green, push the wireless activation button briefly and hold it down again.

NOTE: When performing two or more tool registrations for one vacuum cleaner, finish the tool registration one by one.

Starting the wireless activation function

NOTE: Finish the tool registration for the vacuum cleaner prior to the wireless activation.

NOTE: Refer to the instruction manual of the vacuum cleaner, too.

After registering a tool to the vacuum cleaner, the vacuum cleaner will automatically runs along with the switch operation of the tool.

1. Install the wireless unit to the tool.

2. Connect the hose of the vacuum cleaner with the tool.

► **Fig.30**

3. Set the stand-by switch on the vacuum cleaner to "AUTO".

► **Fig.31:** 1. Stand-by switch

4. Push the wireless activation button on the tool briefly. The wireless activation lamp will blink in blue.

► **Fig.32:** 1. Wireless activation button 2. Wireless activation lamp

5. Pull the switch trigger of the tool. Check if the vacuum cleaner runs while the switch trigger is being pulled.

To stop the wireless activation of the vacuum cleaner, push the wireless activation button on the tool.

NOTE: The wireless activation lamp on the tool will stop blinking in blue when there is no operation for 2 hours. In this case, set the stand-by switch on the vacuum cleaner to "AUTO" and push the wireless activation button on the tool again.

NOTE: The vacuum cleaner starts/stops with a delay. There is a time lag when the vacuum cleaner detects a switch operation of the tool.










NOTE: The transmission distance of the wireless unit may vary depending on the location and surrounding circumstances.

NOTE: When two or more tools are registered to one vacuum cleaner, the vacuum cleaner may start running even if you do not pull the switch trigger because another user is using the wireless activation function.

Description of the wireless activation lamp status

► Fig.33: 1. Wireless activation lamp

The wireless activation lamp shows the status of the wireless activation function. Refer to the table below for the meaning of the lamp status.

Status	Wireless activation lamp			Duration	Description
	Color	 On	 Blinking		
Standby	Blue		2 hours	The wireless activation of the vacuum cleaner is available. The lamp will automatically turn off when no operation is performed for 2 hours.	
			When the tool is running.	The wireless activation of the vacuum cleaner is available and the tool is running.	
Tool registration	Green		20 seconds	Ready for the tool registration. Waiting for the registration by the vacuum cleaner.	
			2 seconds	The tool registration has been finished. The wireless activation lamp will start blinking in blue.	
Cancelling tool registration	Red		20 seconds	Ready for the cancellation of the tool registration. Waiting for the cancellation by the vacuum cleaner.	
			2 seconds	The cancellation of the tool registration has been finished. The wireless activation lamp will start blinking in blue.	
Others	Red		3 seconds	The power is supplied to the wireless unit and the wireless activation function is starting up.	
	Off	-	-	The wireless activation of the vacuum cleaner is stopped.	

Cancelling tool registration for the vacuum cleaner

Perform the following procedure when cancelling the tool registration for the vacuum cleaner.

1. Install the batteries to the vacuum cleaner and the tool.
2. Set the stand-by switch on the vacuum cleaner to "AUTO".

► Fig.34: 1. Stand-by switch

3. Press the wireless activation button on the vacuum cleaner for 6 seconds. The wireless activation lamp blinks in green and then become red. After that, press the wireless activation button on the tool in the same way.

► Fig.35: 1. Wireless activation button 2. Wireless activation lamp

If the cancellation is performed successfully, the wireless activation lamps will light up in red for 2 seconds and start blinking in blue.

NOTE: The wireless activation lamps finish blinking in red after 20 seconds elapsed. Press the wireless activation button on the tool while the wireless activation lamp on the cleaner is blinking. If the wireless activation lamp does not blink in red, push the wireless activation button briefly and hold it down again.

Troubleshooting for wireless activation function

Before asking for repairs, conduct your own inspection first. If you find a problem that is not explained in the manual, do not attempt to dismantle the tool. Instead, ask Makita Authorized Service Centers, always using Makita replacement parts for repairs.

State of abnormality	Probable cause (malfunction)	Remedy
The wireless activation lamp does not light/blink.	The wireless unit is not installed into the tool. The wireless unit is improperly installed into the tool.	Install the wireless unit correctly.
	The terminal of the wireless unit and/or the slot is dirty.	Gently wipe off dust and dirt on the terminal of the wireless unit and clean the slot.
	The wireless activation button on the tool has not been pushed.	Push the wireless activation button on the tool briefly.
	The stand-by switch on the vacuum cleaner is not set to "AUTO".	Set the stand-by switch on the vacuum cleaner to "AUTO".
	No power supply	Supply the power to the tool and the vacuum cleaner.
Cannot finish tool registration / cancelling tool registration successfully.	The wireless unit is not installed into the tool. The wireless unit is improperly installed into the tool.	Install the wireless unit correctly.
	The terminal of the wireless unit and/or the slot is dirty.	Gently wipe off dust and dirt on the terminal of the wireless unit and clean the slot.
	The stand-by switch on the vacuum cleaner is not set to "AUTO".	Set the stand-by switch on the vacuum cleaner to "AUTO".
	No power supply	Supply the power to the tool and the vacuum cleaner.
	Incorrect operation	Push the wireless activation button briefly and perform the tool registration/cancellation procedures again.
	The tool and vacuum cleaner are away from each other (out of the transmission range).	Get the tool and vacuum cleaner closer to each other. The maximum transmission distance is approximately 10 m however it may vary according to the circumstances.
	Before finishing the tool registration/cancellation; - the switch trigger on the tool is pulled or; - the power button on the vacuum cleaner is turned on.	Push the wireless activation button briefly and perform the tool registration/cancellation procedures again.
	The tool registration procedures for the tool or vacuum cleaner have not finished.	Perform the tool registration procedures for both the tool and the vacuum cleaner at the same timing.
	Radio disturbance by other appliances which generate high-intensity radio waves.	Keep the tool and vacuum cleaner away from the appliances such as Wi-Fi devices and microwave ovens.
The vacuum cleaner does not run along with the switch operation of the tool.	The wireless unit is not installed into the tool. The wireless unit is improperly installed into the tool.	Install the wireless unit correctly.
	The terminal of the wireless unit and/or the slot is dirty.	Gently wipe off dust and dirt on the terminal of the wireless unit and clean the slot.
	The wireless activation button on the tool has not been pushed.	Push the wireless activation button briefly and make sure that the wireless activation lamp is blinking in blue.
	The stand-by switch on the vacuum cleaner is not set to "AUTO".	Set the stand-by switch on the vacuum cleaner to "AUTO".
	More than 10 tools are registered to the vacuum cleaner.	Perform the tool registration again. If more than 10 tools are registered to the vacuum cleaner, the tool registered earliest will be cancelled automatically.
	The vacuum cleaner erased all tool registrations.	Perform the tool registration again.
	No power supply	Supply the power to the tool and the vacuum cleaner.
	The tool and vacuum cleaner are away from each other (out of the transmission range).	Get the tool and vacuum cleaner closer each other. The maximum transmission distance is approximately 10 m however it may vary according to the circumstances.
	Radio disturbance by other appliances which generate high-intensity radio waves.	Keep the tool and vacuum cleaner away from the appliances such as Wi-Fi devices and microwave ovens.
The vacuum cleaner runs while the tool's switch trigger is not pulled.	Other users are using the wireless activation of the vacuum cleaner with their tools.	Turn off the wireless activation button of the other tools or cancel the tool registration of the other tools.

MAINTENANCE

⚠ CAUTION: Always be sure that the tool is switched off and the battery cartridge is removed before attempting to perform inspection or maintenance.

NOTICE: Never use gasoline, benzine, thinner, alcohol or the like. Discoloration, deformation or cracks may result.

To maintain product SAFETY and RELIABILITY, repairs, any other maintenance or adjustment should be performed by Makita Authorized or Factory Service Centers, always using Makita replacement parts.

After use

Wipe off the tool using a dry cloth or cloth slightly moistened with soapy water at regular intervals.

OPTIONAL ACCESSORIES

⚠ CAUTION: These accessories or attachments are recommended for use with your Makita tool specified in this manual. The use of any other accessories or attachments might present a risk of injury to persons. Only use accessory or attachment for its stated purpose.

If you need any assistance for more details regarding these accessories, ask your local Makita Service Center.

- Abrasive paper (with pre-punched holes)
- Hook-and-loop type of abrasive paper
- Punch plate
- Backing pad (For use with hook-and-loop type of abrasive paper)
- Backing pad (For use with conventional type of abrasive paper)
- Dust bag
- Dust box
- Filter
- Hose
- Wireless unit (for model DBO381)
- Battery protector
- Makita genuine battery and charger

NOTE: Some items in the list may be included in the tool package as standard accessories. They may differ from country to country.

SPECIFIKATIONER

Modell:	DBO380	DBO381
Storlek på slippplatta	92 mm x 185 mm	
Storlek på slippapper	93 mm x 228 mm	
Varv per minut	Hög	12 000 min ⁻¹
	Medel	8 000 min ⁻¹
	Låg	4 000 min ⁻¹
Total längd (med främre handtag)	336 mm	
Märkspänning	18 V likström	
Nettovikt	1,9 - 2,2 kg	

- På grund av vårt pågående program för forskning och utveckling kan dessa specifikationer ändras utan föregående meddelande.
- Specifikationer och batterikassett kan variera mellan olika länder.
- Vikten kan variera beroende på tillbehören, inklusive batterikassett. Den lättaste och den tyngsta kombinationen enligt EPTA-procedur 01/2014 visas i tabellen.

Tillgänglig batterikassett och laddare

Batterikassett	BL1815N / BL1820B / BL1830B / BL1840B / BL1850B / BL1860B
Laddare	DC18RC / DC18RD / DC18RE / DC18SD / DC18SE / DC18SF / DC18SH

- Vissa av batterikassetterna och laddarna på listan ovan kanske inte finns tillgängliga i din region.

⚠ VARNING: Använd endast batterikassetter och laddare från listan ovan. Användning av andra batterikassetter och laddare kan orsaka personskada och/eller brand.

Avsedd användning

Verktyget är avsett för slipning av stora ytor i trä, plast och metall samt för målade ytor.

Buller

Den normala bullernivån för A-belastning är bestämd enligt EN62841-2-4:

Modell DBO380

Ljudtrycksnivå (L_{pA}) : 72 dB (A)
Måttolerans (K): 3 dB (A)

Modell DBO381

Ljudtrycksnivå (L_{pA}) : 72 dB (A)
Måttolerans (K): 3 dB (A)

Bullernivån vid arbete kan överstiga 80 dB (A).

OBS: Det deklarerade bullervärdet har uppmätts i enlighet med standardtestmetoden och kan användas för jämförandet av en maskin med en annan.

OBS: Det deklarerade bulleremissionsvärdet kan också användas i en preliminär bedömning av exponering för vibration.

⚠ VARNING: Använd hörselskydd.

⚠ VARNING: Bulleremissionen under faktisk användning av maskinen kan skilja sig från det deklarerade värdet, beroende på hur maskinen används och särskilt vilken typ av arbetsstycke som behandlas.

⚠ VARNING: Var noga med att identifiera säkerhetsåtgärder för att skydda användaren, vilka är grundade på en uppskattning av graden av exponering för vibrationer under de faktiska användningsförhållandena, (ta, förutom avtryckartiden, med alla delar av användarcykeln i beräkningen, som till exempel tiden då maskinen är avstängd och när den går på tomgång).

Vibration

Det totala vibrationsvärdet (treaxlad vektorsumma) bestämt enligt EN62841-2-4:

Modell DBO380

Arbetsläge: slipa metallplatta
Vibrationsemission (a_{h1}) : 3,6 m/s²
Måttolerans (K): 1,5 m/s²

Modell DBO381

Arbetsläge: slipa metallplatta
Vibrationsemission (a_{h1}) : 3,6 m/s²
Måttolerans (K): 1,5 m/s²

OBS: Det deklarerade totala vibrationsvärdet har uppmätts i enlighet med standardtestmetoden och kan användas för jämförandet av en maskin med en annan.

OBS: Det deklarerade totala vibrationsvärdet kan också användas i en preliminär bedömning av exponering för vibration.

⚠ VARNING: Vibrationsemissionen under faktisk användning av maskinen kan skilja sig från det deklarerade värdet, beroende på hur maskinen används och särskilt vilken typ av arbetsstycke som behandlas.

⚠ VARNING: Var noga med att identifiera säkerhetsåtgärder för att skydda användaren, vilka är grundade på en uppskattning av graden av exponering för vibrationer under de faktiska användningsförhållandena, (ta, förutom avtryckartiden, med alla delar av användarcykeln i beräkningen, som till exempel tiden då maskinen är avstängd och när den går på tomgång).

EG-försäkran om överensstämmelse

Gäller endast inom EU

EG-försäkran om överensstämmelse inkluderas som bilaga A till denna bruksanvisning.

SÄKERHETSVARNINGAR

Allmänna säkerhetsvarningar för maskiner

⚠ VARNING: Läs alla säkerhetsvarningar, anvisningar, illustrationer och specifikationer som medföljer det här maskinen. Underlåtenhet att följa instruktionerna kan leda till elstötar, brand och/eller allvarliga personskador.

Spara alla varningar och instruktioner för framtida referens.

Termen "maskin" som anges i varningarna hänvisar till din eldrivna maskin (sladdansluten) eller batteridrivna maskin (sladdlös).

Säkerhetsvarningar för slipmaskin

1. Använd alltid skyddsglasögon. Vanliga glasögon och solglasögon är INTE skyddsglasögon.
2. Håll stadigt i verktyget.
3. Lämna inte verktyget igång. Använd endast verktyget när du håller det i händerna.
4. Detta verktyg är inte vattentätt, så använd inte vatten på arbetsstyckets yta.
5. Ventilera arbetsplatsen ordentligt när du utför sliparbeten.
6. Vissa material kan innehålla giftiga kemikalier. Se till att du inte andas in damm eller får det på huden. Följ anvisningarna i leverantörens materialsäkerhetsblad.

7. Används verktyget för slipning av vissa produkter, färger och trä kan användaren utsättas för damm som innehåller farliga ämnen. Använd lämpligt andningsskydd.
8. Se före användning till att slippdynan inte är sprucken eller trasig. Sprickor och skador kan orsaka personskada.
9. Se till att alltid ha ordentligt fotfäste och god balans när du använder verktyget. Se till att ingen står under dig när du arbetar på hög höjd.

SPARA DESSA ANVISNINGAR.

⚠ VARNING: GLÖM INTE att också fortsättningsvis strikt följa säkerhetsanvisningarna för maskinen även efter att du blivit van att använda den. Vid FELAKTIG HANTERING av maskinen eller om inte säkerhetsanvisningarna i denna bruksanvisning följs kan följden bli allvarliga personskador.

Viktiga säkerhetsanvisningar för batterikassetten

1. Innan batterikassetten används ska alla instruktioner och varningsmärken på (1) batteriladdaren, (2) batteriet och (3) produkten läsas.
2. Montera inte isär eller mixtra med batterikassetten. Det kan leda till brand, överdriven värme eller explosion.
3. Om drifttiden blivit avsevärt kortare ska användningen avbrytas omedelbart. Det kan uppstå överhettning, brännskador och t o m en explosion.
4. Om du får elektrolyt i ögonen ska de sköljas med rent vatten och läkare uppsöks omedelbart. Det finns risk för att synen förloras.
5. Kortslut inte batterikassetten.
 - (1) Rör inte vid polerna med något strömförande material.
 - (2) Undvik att förvara batterikassetten tillsammans med andra metallobjekt som t.ex. spikar, mynt o.s.v.
 - (3) Skydda batteriet mot vatten och regn. En batterikortslutning kan orsaka ett stort strömflöde, överhettning, brand och maskinhaveri.
6. Förvara och använd inte verktyget och batterikassetten på platser där temperaturen kan nå eller överstiga 50 °C.
7. Bränn inte upp batterikassetten även om den är svårt skadad eller helt utsliten. Batterikassetten kan explodera i öppen eld.
8. Spika inte i, krossa, kasta, tappa eller slå batterikassetten mot hårda föremål. Dylika handlingar kan leda till brand, överdriven värme eller explosion.
9. Använd inte ett skadat batteri.
10. De medföljande litiumjonbatterierna är föremål för kraven i gällande lagstiftning för farligt gods. För kommersiella transporter (av t.ex. tredje parter som speditorsfirmor) måste de särskilda transportkrav som anges på emballaget och etiketter iakttas.

För att förbereda den produkt som ska användas krävs att du konsulterar en expert på riskmaterial. Var också uppmärksam på att det i ditt land kan finnas ytterligare föreskrifter att följa.

Tejpa över eller maskera blottade kontakter och packa batteriet på sådant sätt att det inte kan röra sig fritt i förpackningen.

11. När batterikassetten ska kasseras måste den tas bort från maskinen och kasseras på ett säkert sätt. Följ lokala föreskrifter beträffande avfallshandling av batteriet.
12. Använd endast batterierna med de produkter som specificerats av Makita. Att använda batterierna med ej godkända produkter kan leda till brand, överdriven värme, explosion eller utläckande elektrolyt.
13. Om maskinen inte används under en lång tid måste batteriet tas bort från maskinen.
14. Under och efter användning kan batterikassetten bli het vilket kan orsaka brännskador eller lättare brännskador. Var uppmärksam på hur du hanterar varma batterikassetter.
15. Vidrör inte verktygets kontakter direkt efter användning eftersom de kan bli heta och orsaka brännskador.
16. Låt inte flisor, damm eller smuts fastna i kontakterna, i hål eller spår i batterikassetten. Det kan leda till dålig prestanda eller till att verktyget eller batterikassetten går sönder.
17. Sävida inte verktyget stöder arbeten i närheten av högspänningsledningar får batterikassetten inte användas i närheten av en högspänningsledning. Det kan leda till att verktyget eller batterikassetten går sönder eller inte fungerar korrekt.
18. Förvara batteriet utom räckhåll för barn.

SPARA DESSA ANVISNINGAR.

⚠ FÖRSIKTIGT: Använda endast äkta Makita-batterier. Användning av oäkta Makita-batterier eller batterier som har manipulerats kan leda till person- och utrustningsskador eller till att batteriet fattar eld. Det upphäver också Makitas garanti för verktyget och laddaren.

Tips för att uppnå batteriets maximala livslängd

1. Ladda batterikassetten innan den är helt urladdad. Stanna alltid maskinen och ladda batterikassetten när du märker att maskinen blir svagare.
2. Ladda aldrig en fulladdad batterikasset. Överladdning förkortar batteriets livslängd.
3. Ladda batterikassetten vid en rumstemperatur på 10 °C - 40 °C. Låt en varm batterikasset svalna innan den laddas.
4. När batterikassetten inte används ska den tas bort från verktyget eller laddaren.
5. Ladda batterikassetten om du inte har använt den på länge (mer än sex månader).

Viktiga säkerhetsanvisningar för den trådlösa enheten

1. Montera inte isär eller manipulera den trådlösa enheten.
2. Förvara den trådlösa enheten utom räckhåll för barn. Om den råkar sväljas, sök omedelbart läkarhjälp.
3. Använd den trådlösa enheten endast ihop med Makita-verktyg.
4. Utsätt inte den trådlösa enheten för regn eller väta förhållanden.
5. Använd inte den trådlösa enheten på platser där temperaturen överstiger 50 °C.
6. Använd inte den trådlösa enheten på platser där medicinska instrument som pacemakers finns i närheten.
7. Använd inte den trådlösa enheten på platser där automatiska enheter finns i närheten. Om de är igång kan automatiska enheter utveckla funktionsstörningar eller fel.
8. Använd inte den trådlösa enheten på platser med hög temperatur eller där det kan skapas statisk elektricitet eller elektriskt brus.
9. Den trådlösa enheten kan alstra elektromagnetiska fält (EMF) men dessa är inte skadliga för användaren.
10. Den trådlösa enheten är ett noggrant instrument. Var försiktig så att du inte råkar tappa den trådlösa enheten eller utsätta den för stötar.
11. Undvik att vidröra den trådlösa enhetens terminal med bara händer eller metallmaterial.
12. Ta alltid bort batteriet på produkten när du installerar den trådlösa enheten på den.
13. När du öppnar skärans lock, undvik då det ställe där damm och vatten kan komma in i skärans. Håll alltid skärans inlopp rent.
14. Sätt alltid in den trådlösa enheten i rätt riktning.
15. Tryck inte för hårt på knappen för trådlös aktivering på den trådlösa enheten, och tryck inte på knappen med ett föremål med vass kant.
16. Stäng alltid skärans lock vid körning.
17. Ta inte bort den trådlösa enheten från skärans medan ström tillförs till verktyget. Att göra det kan orsaka funktionsfel på den trådlösa enheten.
18. Ta inte bort dekalen på den trådlösa enheten.
19. Sätt inte någon dekal på den trådlösa enheten.
20. Lämnna inte den trådlösa enheten någonstans där det kan skapas statisk elektricitet eller elektriskt brus.
21. Lämnna inte den trådlösa enheten någonstans där den utsätts för hög värme, t.ex. en bil i solen.
22. Lämnna inte den trådlösa enheten på ett dammigt eller pulvrigt ställe eller någonstans där korrosiv gas kan bildas.
23. Plötsliga temperaturförändringar kan göra den trådlösa enheten daggbestänkt. Använd inte den trådlösa enheten förrän daggen helt har torkat bort.

24. När den trådlösa enheten rengörs, torka den då med en torr mjuk duk. Använd inte tvättbensin, thinner, konduktivt fett eller liknande.
25. När den trådlösa enheten ska tas i förvar, ha den då i det tillhörande fodralet eller en behållare med skydd mot statisk laddning.
26. Sätt inte in några andra enheter än den trådlösa Makita-enheten i skåran på verktyget.
27. Använd inte verktyget om skårans lock är skadat. Det kan komma in vatten, damm och smuts i skåran som orsakar funktionsfel.
28. Dra eller vrid inte skårans lock mer än nödvändigt. Sätt tillbaka locket om det lossnar från verktyget.
29. Ersätt skårans lock om det går förlorat eller skadas.

SPARA DESSA ANVISNINGAR.

FUNKTIONSBESKRIVNING

⚠ FÖRSIKTIGT: Se alltid till att maskinen är avstängd och batterikassetten borttagen innan du justerar maskinen eller kontrollerar dess funktioner.

Montera eller demontera batterikassetten

⚠ FÖRSIKTIGT: Stäng alltid av maskinen innan du monterar eller tar bort batterikassetten.

⚠ FÖRSIKTIGT: Håll stadigt i maskinen och batterikassetten när du monterar eller tar bort batterikassetten. I annat fall kan det leda till att de glider ur dina händer och orsakar skada på maskinen och batterikassetten samt personskada.

► Fig.1: 1. Röd indikator 2. Knap 3. Batterikasset

Ta bort batterikassetten genom att skjuta ner knappen på kassetens framsida samtidigt som du drar ut batterikassetten.

Sätt i batterikassetten genom att rikta in tungan på batterikassetten mot spåret i höljet och skjut den på plats. Tryck in batterikassetten ordentligt tills den låser fast med ett klick. Om du kan se den röda indikatorn som bilden visar är den inte låst ordentligt.

⚠ FÖRSIKTIGT: Sätt alltid i batterikassetten helt tills den röda indikatorn inte längre syns. I annat fall kan den oväntat falla ur verktyget och skada dig eller någon annan.

⚠ FÖRSIKTIGT: Montera inte batterikassetten med våld. Om kassetten inte lätt glider på plats är den felinsatt.

Batteriskydd

Använd batteriskyddet som ingår till verktyget för att skydda och skärma av batterikassetten.

⚠ FÖRSIKTIGT: Ta alltid bort batterikassetten från verktyget innan ett batteriskydd sätts på och tas bort.

⚠ FÖRSIKTIGT: Håll aldrig i ett batteriskydd med handen när du bär verktyget från ett område till ett annat eller när du håller i verktyget då det inte används.

OBSERVERA: Ett batteriskydd kan bara installeras till batterimodellerna BL1830B / BL1840B / BL1850B / BL1860B.

Indikerar kvarvarande batterikapacitet

Endast för batterikassetter med indikator

► Fig.2: 1. Indikatorlampor 2. Kontrollknapp

Tryck på kontrollknappen på batterikassetten för att se kvarvarande batterikapacitet. Indikatorlamporna lyser i ett par sekunder.

Indikatorlampor			Kvarvarande kapacitet
Upplyst	Av	Blinkar	
■ ■ ■ ■			75% till 100%
■ ■ ■ □			50% till 75%
■ ■ □ □			25% till 50%
■ □ □ □			0% till 25%
■ □ □ □	□ □ □ □		Ladda batteriet.
■ ■ □ □	□ □ □ □	↑ ↓	Batteriet kan ha skadats.

OBS: Beroende på användningsförhållanden och den omgivande temperaturen kan indikationen skilja sig lätt från den faktiska batterikapaciteten.

OBS: Den första (längst till vänster) indikatorlampan kommer att blinka när batteriskyddssystemet fungerar.

Skyddssystem för maskinen/batteriet

Verktyget är utrustat med ett skyddssystem för verktyget/batteriet. Detta system bryter automatiskt strömmen till motorn för att förlänga verktygets och batteriets livslängd. Verktyget stoppar automatiskt under användningen om verktyget eller batteriet hamnar i en av följande situationer:

Överbelastningskydd

Om maskinen eller batteriet används på ett sätt som gör att det drar onormalt mycket ström kan det stoppas automatiskt utan varning. Stäng då av maskinen och stoppa åtgärden som gjorde att den överbelastades. Starta därefter upp maskinen igen.

Överhettningsskydd

När maskinen eller batteriet överhettas stoppas maskinen automatiskt. I sådant fall ska du låta maskinen och batteriet svalna innan du startar maskinen igen.

Överurladdningsskydd

När batteriets kapacitet är otillräcklig stoppar maskinen automatiskt. I sådant fall ska batteriet tas ur maskinen och laddas.

Avtryckarens funktion

⚠ FÖRSIKTIGT: Undvik att sätta på verktyget medan det är placerat på arbetsstycket eller på arbetsbänken. Det kan leda till personskada eller egendomsskada.

Slå på och av verktyget

Starta verktyget genom att trycka på ström-/hastighetsvalknappen överst på huvudhandtaget. Verktyget börjar köra med sitt högsta varvtal.

Tryck på stoppknappen för att pausa eller upphöra med körningen.

► **Fig.3:** 1. Ström-/hastighetsvalknapp 2. Stoppknapp 3. Huvudhandtag

Ändra verktygshastigheten

Varvtalet kan ändras i tre lägen, nämligen högt, medel och lågt, beroende på användningsområde och arbetsbelastning.

Tryck på ström-/hastighetsvalknappen för att ändra hastighetsläge.

► **Fig.4:** 1. Ström-/hastighetsvalknapp

Tabell för hastighetsinställningar

Hastighetsnivå	Varv per minut
3 (Högt)	12 000 min ⁻¹ (/min)
2 (Medel)	8 000 min ⁻¹ (/min)
1 (Lågt)	4 000 min ⁻¹ (/min)

OBSERVERA: Om maskinen används oavbrutet på låg hastighet under lång tid överbelastas motorn, vilket leder till funktionsfel på maskinen.

OBSERVERA: Välj ett lämpligt hastighetsintervall för dina slipningsarbeten för att undvika överhettning och att arbetsstycket smälter. Slipning med högt varvtal kan hetta upp arbetsstycket och göra att det smälter vid kontaktpunkten.

Elektronisk funktion

Verktyget är utrustat med en elektronisk funktion för enkel användning.

Konstant hastighetskontroll

Denna funktion ger ett konstant varvtal för att erhålla en fin yta.

MONTERING

⚠ FÖRSIKTIGT: Se alltid till att maskinen är avstängd och batterikassetten borttagen innan du underhåller maskinen.

Sätta i eller ta bort slippapper

⚠ FÖRSIKTIGT: Se alltid till att slippapperet sitter ordentligt fast före användning. Annars kan papperet bli löst, lossna lätt och slira, vilket ger en ojämn slipning.

Använda slippapper som ingår till verktyget

1. Tryck och håll in klämspaken antingen fram eller bak på slipplattan, och skjut den bort från stoppanordningen så att klämman lossas från sin fasta position.
2. Dra klämspaken utåt så långt som möjligt för att skapa ett utrymme mellan klämman och slipningsbasen där ena änden av slippapperet kan föras in.
► **Fig.5:** 1. Klämspak 2. Stoppanordning 3. Klämman 4. Slipningsbas 5. Slipplatta

3. Placera en bit slippapper över slipplattan, med damminsugshålen i papperet inriktade mot hålen i slipplattan.
► **Fig.6:** 1. Slippapper 2. Slipplatta 3. Damminsugshål

4. Skjut in ena änden av slippapperet i utrymmet mellan klämman och slipningsbasen.
5. Sätt tillbaka klämspaken i låst läge så att slippapperets ände sitter ordentligt fast.
6. Lossa klämman i den andra änden och gör slippapperets andra ände klar att klämmas fast.
7. Se till att slippapperet fortsätter vara ordentligt spänt, och sätt sedan klämspaken i den andra änden i låst läge.
► **Fig.7:** 1. Slippapper 2. Klämman 3. Slipningsbas 4. Klämspak 5. Stoppanordning

8. Ta bort slippapperet genom att lossa klämmorna i båda ändar och ta av papperet från slipplattan.

Använda annat slippapper på marknaden

1. Klipp ner ett ark slippapper till lämplig storlek.
► **Fig.8:** 1. Slippapper 2. Slipplatta
2. Tryck och håll in klämspaken antingen fram eller bak på slipplattan, och skjut den bort från stoppanordningen så att klämman lossas från sin fasta position.
3. Dra klämspaken utåt så långt som möjligt för att skapa ett utrymme mellan klämman och slipningsbasen där ena änden av slippapperet kan föras in.
4. Skjut in ena änden av slippapperet i utrymmet mellan klämman och slipningsbasen.
5. Placera om slippapperet så att det är fint överlagt på slipplattans yta.
6. Sätt tillbaka klämspaken i låst läge så att slippapperets ände blir ordentligt fastklämd.

7. Lossa klämmorna i den andra ändan och gör slippapperets andra ände klar att klämmas fast.

8. Se till att slippapperet fortsätter vara ordentligt spänt, och sätt sedan klämspaken i den andra ändan i låst läge.

► **Fig.9:** 1. Slippapper 2. Klämma 3. Slipningsbas 4. Klämspak 5. Stoppanordning

9. Täck slippapperet med hålstansen med dess positionsstoppanordningar angränsande till hörnet väl inpassade på två av slipplattans och slipningsbasens sidokanter.

► **Fig.10:** 1. Slippapper 2. Hålstans 3. Positionsstoppanordningar 4. Slipplatta 5. Slipningsbas

10. Tryck hålstansen över slippapperet så det blir damminsughål.

11. Ta bort slippapperet genom att lossa klämmorna i båda ändar och ta av papperet från slipplattan.

Använda slippapper med kardborrefäste

Extra tillbehör

⚠ FÖRSIKTIGT: Se till att installera en slipplatta med kardborrefäste korrekt och säkert. Ett löst sittande tillbehör roterar ojämnt och vibrerar kraftigt, vilket leder till att du tappar kontrollen.

⚠ FÖRSIKTIGT: Se till att slipplattan med kardborrefäste och slippapperet är anpassade mot varandra och sitter ordentligt fast.

⚠ FÖRSIKTIGT: Använd endast slippapper med kardborrefäste. Använd aldrig slippapper som är känsliga för tryck.

1. Lossa och ta bort de fyra skruvarna som fäster slipplattan vid slipningsbasen.
2. Byt ut den standardmonterade slipplattan mot en valfri kardborreplatta.

3. Dra åt skruvarna ordentligt för att fästa kardborreplattan.

► **Fig.11:** 1. Skruvar 2. Slipningsbas 3. Slipplatta

4. Ta bort all smuts och främmande material från kardborreplattan.

5. Sätt fast en bit valfritt slippapper med kardborrefäste vid slipplattan, med damminsughålen i papperet inriktade mot hålen i slipplattan.

► **Fig.12:** 1. Slippapper 2. Stödrondell 3. Damminsughål

6. Ta bort slippapperet genom att skala av det från kanten.

⚠ FÖRSIKTIGT: O-ringen kan komma ut ur slipningsbasen medan slipplattan byts. Sätt tillbaka O-ringen i cirkelspären runt mitten av basen innan den valfria slipplattan installeras.

► **Fig.13:** 1. O-ring 2. Slipningsbas 3. Cirkelspår

Sätta i och ta bort dammpåsen

Extra tillbehör

Sätt fast dammpåsen över det konformade dammutkastet i motorhusets bakände. Sätt påsens damminlopp över dammutkastet så långt in det går, för att undvika att den lossnar under körning.

► **Fig.14:** 1. Dammutkast 2. Damminlopp 3. Dammpåse

OBS: Se till att sätta fast dammpåsen med blixtlåset riktat nedåt.

OBS: För att säkerställa optimal dammuppsamling ska dammpåsen tömmas när den blir full till omkring halva sin kapacitet.

Ta bort dammpåsen från verktyget och dra ut fästet. Skaka eller knacka sedan försiktigt på dammpåsen för att tömma den.

Sätta i och ta bort dammuppsamlingslådan

Extra tillbehör

Sätt fast dammuppsamlingslådan över det konformade dammutkastet i motorhusets bakände. Sätt dammunstycket på dammutkastet så långt in det går, för att undvika att det lossnar under körning.

► **Fig.15:** 1. Dammutkast 2. Dammunstycke 3. Dammuppsamlingslåda

OBS: För att säkerställa optimal dammuppsamling ska dammuppsamlingslådan tömmas när den blir full till omkring halva sin kapacitet.

1. Ta bort dammuppsamlingslådan från verktyget.
2. Ta loss dammunstycket från lådan samtidigt som du trycker och håller in låsspärrarna på båda sidor av lådan.
3. Skaka eller knacka försiktigt på dammuppsamlingslådan för att tömma den.

Utbyte av filter

OBSERVERA: Var uppmärksam på att logotyperna på dammuppsamlingslådan, filtret och dammunstycket är riktade åt samma håll när du monterar ihop komponenterna igen.

1. Ta bort dammuppsamlingslådan från verktyget.
2. Ta loss dammunstycket från lådan samtidigt som du trycker och håller in låsspärrarna på båda sidor av lådan.

► **Fig.16:** 1. Dammunstycke 2. Dammuppsamlingslåda 3. Låsspärr

3. Håll i kartongöppningens inre överkant och dra av den neråt så att kartongöppningens yttre överkant hakas av från den övre haken på dammuppsamlingslådans fästkant.

4. Ta ut filtret ur dammuppsamlingslådan samtidigt som du drar undan kartongöppningens yttre underkant från den undre haken.

► **Fig.17:** 1. Filter 2. Kartongöppning 3. Övre hake 4. Undre hake 5. Dammuppsamlingslåda

5. Sätt tillbaka ett filter genom att haka in kartongöppningens underkant i den undre haken och trycka överkanten inåt tills den klickar in i den övre haken.

► **Fig.18:** 1. Filter 2. Kartongöppning 3. Övre hake 4. Undre hake 5. Dammuppsamlingslåda

6. Klicka dammunstycket på plats samtidigt som du trycker och håller in låsspärrarna på båda sidor av dammuppsamlingslådan.

► **Fig.19:** 1. Dammunstycke 2. Dammuppsamlingslåda 3. Låsspärr

Ta bort och sätta på det främre handtaget

⚠ FÖRSIKTIGT: Efter återmontering drar du i det främre handtaget för att kontrollera att det sitter säkert fast.

OBSERVERA: Se till att trycka in det främre handtaget helt i skäränden och hålla på plats medan du vrider det främre handtaget. I annat fall kan verktyget skadas.

Om det löstagbara främre handtaget tas bort går det att effektivt utföra slipningsarbeten i trånga, avgränsade och svårnådda utrymmen.

Nedmontering

Tryck och håll det främre handtaget stadigt mot motorhuset och vrid det 90 grader åt antingen vänster eller höger. Dra sedan av det från verktyget.

Montering

Sätt in det främre handtagets ände i skåran på motorhuset och passa in handtagsändens konturer med skårans. Tryck och håll det främre handtaget stadigt mot huset och vrid det 90 grader med greppytan riktad uppåt.

► **Fig.20:** 1. Främre handtag 2. Skåra 3. Motorhus 4. Greppyta

Anslutning till dammsugare

Extra tillbehör

Anslut en dammsugare från Makita till verktyget när du vill ha rent under slipningen. Använd antingen en separat slang på 28 mm eller en kombination av främre kopplingar 22 och slangen som ingår till dammsugaren för att göra en anslutning.

► **Fig.21:** 1. Dammutkast 2. Främre kopplingar 3. Slang 4. Dammsugare

ANVÄNDNING

Slipning

⚠ FÖRSIKTIGT: Använd aldrig maskinen utan slippapper. I annat fall kan slippattan skadas allvarligt.

⚠ FÖRSIKTIGT: Använd aldrig för stor kraft på maskinen. Alltför hårt tryck kan minska slipningseffektiviteten, skada slippapperet och förkorta maskinens livslängd.

Slipning av öppna ytor

1. Håll verktyget stabilt med båda händerna, en hand på handtaget och den andra på det främre handtaget.

2. Starta verktyget och vänta tills det uppnått full hastighet.

3. Placera verktyget försiktigt på arbetsstyckets yta.

4. Håll hela slippattan jämn och plan mot ytan och anlägg ett lätt tryck på verktyget.

► **Fig.22**

Slipning av begränsade ytor

1. Ta loss det främre handtaget från verktyget.

2. Håll i handtaget med en hand.

3. Starta verktyget och vänta tills det uppnått full hastighet.

4. Placera verktyget försiktigt på arbetsstyckets yta.

5. Håll hela slippattan jämn och plan mot ytan och anlägg ett lätt tryck på verktyget.

6. Flytta verktyget längs kurvor, väggytor och andra begränsade ytor, och slipa med plattans fram- och hörnkanter efter behov.

► **Fig.23**

FUNKTION FÖR TRÅDLÖS AKTIVERING

Endast för modell DBO381

OBSERVERA: Den trådlösa funktionen är bara tillgänglig när den dammsugare som stöds håller på att installeras.

Vad du kan göra med funktionen för trådlös aktivering

Funktionen för trådlös aktivering möjliggör en ren och bekväm körning. Genom att ansluta en dammsugare som stöds till verktyget, kan du göra så att dammsugaren automatiskt körs samtidigt som du använder verktygets knappfunktion.

► **Fig.24**

Gör i ordning följande artiklar för att använda funktionen för trådlös aktivering:

- En trådlös enhet (valfritt tillbehör)
- En dammsugare som har stöd för funktionen för trådlös aktivering

Översikten över inställningen av funktionen för trådlös aktivering är följande. Se detaljerade rutiner i varje avsnitt.

1. Installera den trådlösa enheten
2. Verktygsregistrering för dammsugaren
3. Starta funktionen för trådlös aktivering

Installera den trådlösa enheten

Valfri tillbehör

⚠ FÖRSIKTIGT: Placera verktyget på en platt och stabil yta när den trådlösa enheten installeras.

OBSERVERA: Rensa bort damm och smuts från verktyget innan den trådlösa enheten installeras. Damm eller smuts kan orsaka funktionsfel om det kommer in i skåran på den trådlösa enheten.

OBSERVERA: För att förebygga funktionsfel till följd av statisk laddning vidrör du ett statiskt urladdande material, t.ex. en metalldel på verktyget, innan du plockar upp den trådlösa enheten.

OBSERVERA: Se alltid till när du installerar den trådlösa enheten att den är insatt i rätt riktning och att locket är helt stängt.

1. Öppna locket på verktyget enligt figuren.

► **Fig.25:** 1. Lucka

2. Sätt in den trådlösa enheten i skåran och stäng sedan locket.

När du sätter in den trådlösa enheten, passa då in de utskjutande delarna med de insänkta delarna i skåran.

► **Fig.26:** 1. Trådlös enhet 2. Utskjutande del 3. Lucka 4. Insänkt del

Öppna locket långsamt när du tar bort den trådlösa enheten. Krokarna på lockets baksida lyfter den trådlösa enheten när du drar upp locket.

► **Fig.27:** 1. Trådlös enhet 2. Krok 3. Lucka

När den trådlösa enheten tagits bort, ha den då i det tillhörande fodralet eller en behållare med skydd mot statisk laddning.

OBSERVERA: Använd alltid krokarna på lockets baksida när du tar bort den trådlösa enheten. Om krokarna inte fångar upp den trådlösa enheten, stänger du locket helt och öppnar det långsamt igen.

Verktysregistrering för dammsugaren

OBS: För verktysregistreringen krävs en Makita-dammsugare som har stöd för den trådlösa aktiveringsfunktionen.

OBS: Avsluta installationen av den trådlösa enheten till verktyget innan du inleder verktysregistreringen.

OBS: Använd inte avtryckaren under verktysregistreringen och vrid inte på strömbrytaren på dammsugaren.

OBS: Se också bruksanvisningen för dammsugaren.

Om du vill aktivera dammsugaren tillsammans med verktygets knappfunktion, ska du slutföra verktysregistreringen i förväg.

1. Installera batterierna till dammsugaren och verktyget.

2. Sätt dammsugarens stand-by-omkopplare på "AUTO".

► **Fig.28:** 1. Stand-by-omkopplare

3. Tryck på knappen för trådlös aktivering på dammsugaren i 3 sekunder tills lampan för trådlös aktivering blinkar grönt. Tryck sedan på knappen för trådlös aktivering på verktyget på samma sätt.

► **Fig.29:** 1. Knapp för trådlös aktivering 2. Lampa för trådlös aktivering

Om dammsugaren och verktyget har kopplats ihop ordentligt, kommer lamporna för trådlös aktivering att lysa grönt i 2 sekunder och börja blinka i blått.

OBS: Lamporna för trådlös aktivering slutar blinka grönt efter att 20 sekunder har gått. Tryck på knappen för trådlös aktivering på maskinen när lampan för trådlös aktivering på dammsugaren blinkar. Om lampan för trådlös aktivering inte blinkar grönt, trycker du kort på knappen för trådlös aktivering och håller in den igen.

OBS: När du utför två eller flera verktysregistreringar för en dammsugare avslutar du verktysregistreringarna en och en.

Starta funktionen för trådlös aktivering

OBS: Avsluta verktysregistreringen för dammsugaren före den trådlösa aktiveringen.

OBS: Se också bruksanvisningen för dammsugaren.

Efter att ett verktyg registrerats till dammsugaren kommer den att köras automatiskt tillsammans med verktygets knappfunktion.

1. Installera den trådlösa enheten till verktyget.

2. Anslut dammsugarslangens till verktyget.

► **Fig.30**

3. Sätt dammsugarens stand-by-omkopplare på "AUTO".

► **Fig.31:** 1. Stand-by-omkopplare

4. Tryck kort på knappen för trådlös aktivering på verktyget. Lampan för trådlös aktivering blinkar blått.

► **Fig.32:** 1. Knapp för trådlös aktivering 2. Lampa för trådlös aktivering

5. Tryck på verktygets avtryckare. Kontrollera om dammsugaren är igång medan avtryckaren är intryckt.

För att stoppa den trådlösa aktiveringen av dammsugaren trycker du på knappen för trådlös aktivering på verktyget.

OBS: Lampan för trådlös aktivering på verktyget slutar blinka blått när ingen användning har skett på 2 timmar. Sätt i så fall stand-by-omkopplaren på dammsugaren på "AUTO" och tryck igen på knappen för trådlös aktivering på verktyget.

OBS: Dammsugaren startar/stannar med en fördröjning. Det blir en tidsfördröjning när dammsugaren känner av en knappfunktion från verktyget.










OBS: Sändningsavståndet till den trådlösa enheten kan variera beroende på plats och omständigheter i omgivningen.

OBS: När två eller flera verktyg är registrerade till en dammsugare, kan dammsugaren gå igång även om du inte trycker på avtryckaren eftersom en annan användare använder funktionen för trådlös aktivering.

Beskrivning av status för lampan för trådlös aktivering

► **Fig.33:** 1. Lampa för trådlös aktivering

Lampan för trådlös aktivering visar status för den trådlösa aktiveringsfunktionen. Se innebörden av lampans status i tabellen nedan.

Status	Lampa för trådlös aktivering				Beskrivning
	Färg	 På	 Blinkar	Varaktighetstid	
Standby	Blå			2 timmar	Den trådlösa aktiveringen av dammsugaren är tillgänglig. Lampan släcks automatiskt när ingen användning har ägt rum på 2 timmar.
				När verktyget är igång.	Den trådlösa aktiveringen av dammsugaren är tillgänglig och verktyget är igång.
Verktygsregistrering	Grön			20 sekunder	Redo för verktygsregistrering. Väntar på registrering från dammsugaren.
				2 sekunder	Verktygsregistreringen har avslutats. Lampan för trådlös aktivering börjar blinka blått.
Upphäver verktygsregistrering	Röd			20 sekunder	Redo för att upphäva verktygsregistreringen. Väntar på upphävande från dammsugaren.
				2 sekunder	Upphävandet av verktygsregistreringen har avslutats. Lampan för trådlös aktivering börjar blinka blått.
Övriga	Röd			3 sekunder	Ström tillförs till den trådlösa enheten och funktionen för trådlös aktivering startar.
	Av	-		-	Den trådlösa aktiveringen av dammsugaren stoppas.

Upphäver verktygsregistrering för dammsugaren

Utför följande rutin vid upphävande av verktygsregistreringen för dammsugaren.

1. Installera batterierna till dammsugaren och verktyget.
2. Sätt dammsugarens stand-by-omkopplare på "AUTO".

► **Fig.34:** 1. Stand-by-omkopplare

3. Tryck på knappen för trådlös aktivering på dammsugaren i 6 sekunder. Lampan för trådlös aktivering blinkar grönt och blir sedan röd. Tryck sedan på knappen för trådlös aktivering på verktyget på samma sätt.

► **Fig.35:** 1. Knapp för trådlös aktivering 2. Lampa för trådlös aktivering

Om upphävandet har utförts ordentligt, kommer lamporna för trådlös aktivering att lysa rött i 2 sekunder och börja blinka i blått.

OBS: Lamporna för trådlös aktivering slutar blinka rött efter att 20 sekunder har gått. Tryck på knappen för trådlös aktivering på maskinen när lampan för trådlös aktivering på dammsugaren blinkar. Om lampan för trådlös aktivering inte blinkar rött, trycker du kort på knappen för trådlös aktivering och håller in den igen.

Felsökning för funktionen för trådlös aktivering

Innan du ber om reparation ska du först utföra en egen kontroll. Om du hittar ett problem som inte finns förklarat i bruksanvisningen ska du inte försöka att ta isär maskinen. Fråga istället ett auktoriserad servicecenter för Makita, och använd alltid reservdelar från Makita för reparationer.

Feltillstånd	Trolig orsak (felsfunktion)	Åtgärd
Lampan för trådlös aktivering lyser/ blinker inte.	Den trådlösa enheten är inte installerad till verktyget. Den trådlösa enheten är felaktigt installerad till verktyget.	Installera den trådlösa enheten korrekt.
	Den trådlösa enhetens kontakt och/eller skåran är smutsig.	Torka försiktigt av damm och smuts på den trådlösa enhetens kontakt och rengör skåran.
	Knappen för trådlös aktivering på verktyget har inte tryckts.	Tryck kort på knappen för trådlös aktivering på verktyget.
	Stand-by-omkopplaren på dammsugaren är inte satt på "AUTO".	Sätt dammsugarens stand-by-omkopplare på "AUTO".
	Ingen strömtillförsel	Koppla in ström till verktyget och dammsugaren.
Kan inte avsluta verktygsregistrering/ upphäva verktygsregistrering.	Den trådlösa enheten är inte installerad till verktyget. Den trådlösa enheten är felaktigt installerad till verktyget.	Installera den trådlösa enheten korrekt.
	Den trådlösa enhetens kontakt och/eller skåran är smutsig.	Torka försiktigt av damm och smuts på den trådlösa enhetens kontakt och rengör skåran.
	Stand-by-omkopplaren på dammsugaren är inte satt på "AUTO".	Sätt dammsugarens stand-by-omkopplare på "AUTO".
	Ingen strömtillförsel	Koppla in ström till verktyget och dammsugaren.
	Felaktig funktion	Tryck kort på knappen för trådlös aktivering och utför rutinerna för verktygsregistrering/-upphävande igen.
	Verktyget och dammsugaren är åtskilda från varandra (utanför sändningsområdet).	Se till att verktyget och dammsugaren hamnar närmare varandra. Det maximala sändningsavståndet är ca 10 m, men det kan variera beroende på omständigheterna.
	Innan verktygsregistreringen/-upphävandet avslutas: - tryck på avtryckaren på verktyget, - sätt på strömknappen på dammsugaren.	Tryck kort på knappen för trådlös aktivering och utför rutinerna för verktygsregistrering/-upphävande igen.
	Verktygsregistreringsrutinerna för verktyget eller dammsugaren har inte slutförts.	Utför verktygsregistreringsrutinerna för både verktyget och dammsugaren på samma gång.
	Radiostörningar från andra apparater som skapar högtintensiva radiovågor.	Håll verktyget och dammsugaren borta från apparater som WiFi-enheter och mikrovågsugnar.
	Dammsugaren är inte igång samtidigt som verktygets knappfunktion.	Den trådlösa enheten är inte installerad till verktyget. Den trådlösa enheten är felaktigt installerad till verktyget.
Den trådlösa enhetens kontakt och/eller skåran är smutsig.		Torka försiktigt av damm och smuts på den trådlösa enhetens kontakt och rengör skåran.
Knappen för trådlös aktivering på verktyget har inte tryckts.		Tryck kort på knappen för trådlös aktivering och försäkra dig om att lampan för trådlös aktivering blinkar blått.
Stand-by-omkopplaren på dammsugaren är inte satt på "AUTO".		Sätt dammsugarens stand-by-omkopplare på "AUTO".
Fler än 10 verktyg är registrerade till dammsugaren.		Utför verktygsregistreringen igen. Om fler än 10 verktyg är registrerade till dammsugaren, blir det verktyg som registrerades tidigast automatiskt upphävt.
Dammsugaren har raderat alla verktygsregistreringar.		Utför verktygsregistreringen igen.
Ingen strömtillförsel		Koppla in ström till verktyget och dammsugaren.
Verktyget och dammsugaren är åtskilda från varandra (utanför sändningsområdet).		Se till att verktyget och dammsugaren hamnar närmare varandra. Det maximala sändningsavståndet är ca 10 m, men det kan variera beroende på omständigheterna.
Radiostörningar från andra apparater som skapar högtintensiva radiovågor.		Håll verktyget och dammsugaren borta från apparater som WiFi-enheter och mikrovågsugnar.
Dammsugaren är igång fastän verktygets avtryckare inte är intryckt.		Andra användare använder den trådlösa aktiveringen av dammsugaren med sina verktyg.

UNDERHÅLL

⚠ FÖRSIKTIGT: Se alltid till att maskinen är avstängd och batterikassetten borttagen innan inspektion eller underhåll utförs.

OBSERVERA: Använd inte bensin, förtunningsmedel, alkohol eller liknande. Missfärgning, deformation eller sprickor kan uppstå.

För att upprätthålla produktens SÄKERHET och TILLFÖRLITLIGHET bör allt underhålls- och justeringsarbete utföras av ett auktoriserat Makita servicecenter och med reservdelar från Makita.

Efter användning

Torka regelbundet av verktyget med en torr trasa eller duk som är lätt fuktad med tvålatten.

VALFRIA TILLBEHÖR

⚠ FÖRSIKTIGT: Följande tillbehör eller tillsatser rekommenderas för användning med den Makita-maskin som denna bruksanvisning avser. Om andra tillbehör eller tillsatser används kan det uppstå risk för personskador. Använd endast tillbehören eller tillsatserna för de syften de är avsedda för.

Kontakta ditt lokala Makita servicecenter om du behöver ytterligare information om dessa tillbehör.

- Slippapper (med förstansade hål)
- Slippapper med kardborrfäste.
- Hålstans
- Stödronnell (För användning med slippapper med kardborrfäste)
- Stödronnell (För användning med konventionell typ av slippapper)
- Damppåse
- Dammuppsamlingslåda
- Filter
- Slang
- Trådlös enhet (Endast för modell DBO381)
- Batteriskydd
- Makitas originalbatteri och -laddare

OBS: Några av tillbehören i listan kan vara inkluderade i maskinpaketet som standardtillbehör. De kan variera mellan olika länder.

TEKNISKE DATA

Modell:		DBO380	DBO381
Putestørrelse		92 mm x 185 mm	
Sliperapirstørrelse		93 mm x 228 mm	
Rotasjon per minutt	Høy	12 000 min ⁻¹	
	Middels	8 000 min ⁻¹	
	Lav	4 000 min ⁻¹	
Total lengde (med fremre grep)		336 mm	
Nominell spenning		DC 18 V	
Nettvekt		1,9 - 2,2 kg	

- På grunn av vårt kontinuerlige forsknings- og utviklingsprogram kan spesifikasjonene som oppgis i dette dokumentet endres uten varsel.
- Spesifikasjoner og batteriinnatts kan variere fra land til land.
- Vekten kan variere avhengig av tilbehøret/tilbehørene, inkludert batteriet. Den letteste og tyngste kombinasjonen, i henhold til EPTA-prosedyre 01/2014, vises i tabellen.

Passende batteri og lader

Batteriinnatts	BL1815N / BL1820B / BL1830B / BL1840B / BL1850B / BL1860B
Lader	DC18RC / DC18RD / DC18RE / DC18SD / DC18SE / DC18SF / DC18SH

- Noen av batteriene og laderne som er opplistet ovenfor er kanskje ikke tilgjengelige, avhengig av hvor du bor.

⚠ ADVARSEL: Bruk kun de batteriene og laderne som er opplistet ovenfor. Bruk av andre batterier og ladere kan føre til personskader og/eller brann.

Riktig bruk

Denne maskinen er laget for å pusse store treflater, plast og metallmaterialer samt malte overflater.

Støy

Typisk A-vektet lydtryknivå er bestemt i henhold til EN62841-2-4:

Modell DBO380

Lydtryknivå (L_{pA}): 72 dB (A)
Usikkerhet (K): 3 dB (A)

Modell DBO381

Lydtryknivå (L_{pA}): 72 dB (A)
Usikkerhet (K): 3 dB (A)

Støynivået under arbeid kan overskride 80 dB (A).

MERK: Den/de oppgitte verdien(e) for genererte vibrasjoner har blitt målt i henhold til standard testmetoder, og kan bli brukt til å sammenligne ett verktøy med et annet.

MERK: Den/de angitte verdien(e) for de genererte vibrasjonene kan også brukes til en foreløpig vurdering av eksponeringen.

⚠ ADVARSEL: Bruk hørselsvern.

⚠ ADVARSEL: De genererte vibrasjonene ved faktisk bruk av elektroverktøyet kan avvike fra den/de angitte vibrasjonsverdien(e), avhengig av hvordan verktøyet brukes.

⚠ ADVARSEL: Sørg for å identifisere vernetiltak for å beskytte operatøren, som er basert på et estimat av eksponeringen under de faktiske bruksforholdene (idet det tas hensyn til alle deler av driftssyklusen, dvs. hvor lenge verktøyet er slått av, hvor lenge det går på tomgang og hvor lenge startbryteren faktisk holdes trykket).

Vibrasjoner

Den totale vibrasjonsverdien (triaksial vektorsum) bestemt i henhold EN62841-2-4:

Modell DBO380

Arbeidsmodus: slipemetallplate
Genererte vibrasjoner (a_{h1}): 3,6 m/s²
Usikkerhet (K): 1,5 m/s²

Modell DBO381

Arbeidsmodus: slipemetallplate
Genererte vibrasjoner (a_{h1}): 3,6 m/s²
Usikkerhet (K): 1,5 m/s²

MERK: Den/de oppgitte verdien(e) for totalt genererte vibrasjoner har blitt målt i henhold til standard testmetoder, og kan bli brukt til å sammenligne ett verktøy med et annet.

MERK: Den/de angitte verdien(e) for totalt genererte vibrasjoner kan også brukes til en foreløpig vurdering av eksponeringen.

⚠ ADVARSEL: De genererte vibrasjonene ved faktisk bruk av elektroverktøyet kan avvike fra den/de angitte vibrasjonsverdien(e), avhengig av hvordan verktøyet brukes og spesielt i forhold til arbeidsstykket som blir behandlet.

⚠ ADVARSEL: Sørg for å identifisere vernetiltak for å beskytte operatøren, som er basert på et estimat av eksponeringen under de faktiske bruksforholdene (idet det tas hensyn til alle deler av driftssyklusen, dvs. hvor lenge verktøyet er slått av, hvor lenge det går på tomgang og hvor lenge startbryteren faktisk holdes trykket).

EFs samsvarserklæring

Gjelder kun for land i Europa

EFs samsvarserklæring er lagt til som vedlegg A i denne bruksanvisningen.

SIKKERHETSADVARSEL

Generelle advarsler angående sikkerhet for elektroverktøy

⚠ ADVARSEL: Les alle sikkerhetsadvarsler, instruksjoner, illustrasjoner og spesifikasjoner som følger med dette elektroverktøyet. Hvis ikke alle instruksjonene nedenfor følges, kan det forekomme elektrisk støt, brann og/eller alvorlig skade.

Oppbevar alle advarsler og instruksjoner for senere bruk.

Uttrykket «elektrisk verktøy» i advarslene refererer både til elektriske verktøy (med ledning) tilkoblet strømnettet, og batteridrevne verktøy (uten ledning).

Sikkerhetsanvisninger for slipemasking

1. Du må alltid bruke vernebriller eller ansiktsvern. Vanlige briller eller solbriller er IKKE vernebriller.
2. Hold godt fast i verktøyet.
3. Ikke gå fra verktøyet mens det er i gang. Verktøyet må bare brukes mens operatøren holder det i hendene.
4. Denne maskinen er ikke vannrett, så ikke bruk vann på arbeidsstykket.
5. Ventilér arbeidsområdet skikkelig når du pusser noe.
6. Enkelte materialer inneholder kjemikalier som kan være giftige. Treff tiltak for å hindre hudkontakt og innånding av støv. Følg leverandørens sikkerhetsanvisninger.
7. Ved bruk av denne maskinen til å pusse non produkter, maling og tre, kan brukeren bli utsatt for støv fra farlige stoffer. Bruk passende pustebeskyttelse.
8. Før du begynner å bruke rondellen, må du undersøke den for sprekker eller andre skader. Sprekker eller skader kan resultere i helseskader.

9. Se hvor du går og hold balansen med verk-tøyet. Forviss deg om at ingen står under deg når du jobber høyt over bakken.

TA VARE PÅ DISSE INSTRUKSENE.

⚠ ADVARSEL: IKKE LA hensynet til hva som er "behagelig" eller det faktum at du kjenner produk-tet godt (etter mange gangers bruk) gjøre deg min-dre oppmerksom på sikkerhetsreglene for bruken av det aktuelle produktet. Ved MISBRUK eller hvis ikke sikkerhetsreglene i denne bruksanvisningen følges, kan det oppstå alvorlig personska-de.

Viktige sikkerhetsanvisninger for batteriinn-sats

1. Før du begynner å bruke batteriet, må du lese alle anvisninger og forsiktighetsregler på (1) batteriladeren, (2) batteriet og (3) det produktet batteriet skal brukes i.
2. Ikke demonter eller tukle batteriet. Det kan føre til brann, overoppheting eller eksplosjon.
3. Hvis driftstiden er blitt vesentlig kortere, må du omgående slutte å bruke maskinen. Hvis ikke kan resultatet bli overoppheting, mulige forbrenninger eller til og med en eksplosjon.
4. Hvis du får elektrolytt i øynene, må du skylle dem med store mengder rennende vann og oppsøke lege med én gang. Denne typen uhell kan føre til varig blindhet.
5. Ikke kortslett batteriet:
 - (1) De kan være ekstremt varme og du kan brenne deg.
 - (2) Ikke lagre batteriet i samme beholder som andre metallgjenstander, som for eksempel spiker, mynter osv.
 - (3) Ikke la batteriet komme i kontakt med vann eller regn.

En kortslutning av batteriet kan føre til et kraftig strømstøt, overoppvarming, mulige forbrenninger og til og med til at batteriet går i stykker.

6. Ikke oppbevar og bruk verktøyet og batteriet på steder hvor temperaturen kan komme opp i eller overskride 50 °C.
7. Ikke sett fyr på batteriet, ikke engang om det er sterkt skadet eller helt utslitt. Batteriet kan eksplodere hvis det begynner å brenne.
8. Du må ikke spikre, skjære, klemme, kaste eller miste batteriet, og heller ikke slå en hard gjenstand mot batteriet. En slik oppførsel kan føre til brann, overoppheting eller eksplosjon.
9. Ikke bruk batterier som er skadet.
10. Lithium-ion-batteriene som medfølger er gjenstand for krav om spesialavfall. For kommersiell transport, f.eks av tredjeparter eller spedtører, må spesielle krav om pakking og merking følges. For varen blir sendt, må du forhøre deg med en ekspert på farlig materiale. Ta også hensyn til mulig-heten for mer detaljerte nasjonale bestemmelser. Bruk teip eller maskeringsteip for å skjule åpne kontakter og pakk inn batteriet på en slik måte at den ikke kan bevege seg rundt i emballasjen.
11. Når du kasserer batteriinn-satsen, må du ta den ut av verktøyet og avhende den på et sikkert sted. Følg lokale bestemmelser for avhending av batterier.

12. **Bruk batteriene kun med produkter spesifisert av Makita.** Montere batteriene i produkter som ikke er konforme kan føre til brann, overheting eller elektrolyttlekkasje.
13. Hvis verktøyet ikke skal brukes over en lengre periode, må batteriet tas ut av verktøyet.
14. Under og etter bruk kan batteriet bli varmt og før til brannskader. Vær forsiktig med håndteringen av varme batterier.
15. Ikke berører terminalen på verktøyet rett etter bruk, da den kan bli varm og forårsake brannskader.
16. Ikke la spon, støv eller jord sette seg fast i terminalene, hullene og sporene i batteriet. Det kan føre til dårlig ytelse eller at verktøyet eller batteriet slutter å fungere.
17. Med mindre verktøyet støtter bruk nær en høyspent strømlinje, skal ikke batteriet brukes nær en høyspent strømlinje. Det kan føre til en funksjonsfeil eller at verktøyet eller batteriet slutter å fungere.
18. Oppbevar batteriet utilgjengelig for barn.

TA VARE PÅ DISSE INSTRUKSENE.

⚠️ FORSIKTIG: Bruk kun originale Makita-batterier. Bruk av batterier som har endret seg, eller som ikke er originale Makita-batterier, kan føre til at batteriet sprekker og forårsaker brann, personskader og andre skader. Det vil også ugyldiggjøre garantien for Makita-verktøyet og -laderen.

8. Ikke bruk den trådløse enheten på steder med høye temperaturer eller der det kan genereres statisk elektrisitet eller elektrisk støv.
9. Den trådløse enheten kan skape elektromagnetiske felt (EMF), men de er ikke skadelige for brukeren.
10. Den trådløse enheten er presisjonsinstrument. Vær forsiktig så du ikke mister eller utsetter den trådløse enheten for slag.
11. Unngå å berøre den trådløse enhetens tilkoblingspunkt med ubeskyttede hender eller metallmaterialer.
12. Du må alltid ta batteriet ut av produktet når du skal installere den trådløse enheten.
13. Når du skal åpne sporets lokk, må du unngå steder der støv og vann kan trenge inn i sporet. Du må alltid sørge for at sporets innløp er rent.
14. Sett alltid den trådløse enheten inn i riktig retning.
15. Ikke trykk for hardt på trådløseknappen på den trådløse enheten, og trykk heller ikke på knappen med en gjenstand med skarp kant.
16. Du må alltid lukke sporets lokk under bruk.
17. Ikke fjern den trådløse enheten fra sporet mens verktøyet forsynes med strøm. Det kan føre til en funksjonsfeil i den trådløse enheten.
18. Ikke fjern klebemerket på den trådløse enheten.
19. Ikke sett klebemerker på den trådløse enheten.
20. Ikke etterlat den trådløse enheten på et sted der det kan genereres statisk elektrisitet eller elektrisk støv.
21. Ikke etterlat den trådløse enheten på et sted der den kan utsettes for mye varme, som i en bil som er parkert i solen.
22. Ikke etterlat den trådløse enheten på et sted med mye støv eller pulver, eller på et sted der det kan genereres korroderende gass.
23. En plutselig temperaturrendring kan få den trådløse enheten til å dulle. Ikke bruk den trådløse enheten før duggen har tørket helt bort.
24. Når du rengjør den trådløse enheten, tørker du forsiktig av den med en tørr, myk klut. Ikke bruk bensin, tynner, ledende fett eller lignende.
25. Når den trådløse enheten skal lagres, oppbevares den i esken som følger med eller en beholder som ikke er statisk.
26. Ikke sett andre enheter med Makitas trådløse enhet inn i sporet på verktøyet.
27. Ikke bruk verktøyet hvis sporets lokk er skadet. Vann, støv om smuss som trenger inn i sporet kan føre til funksjonsfeil.
28. Ikke dra i og/eller vri sporets lokk mer enn nødvendig. Sett lokket tilbake på plass hvis det løsner fra verktøyet.
29. Erstatt sporets lokk hvis det går tapt eller blir skadet.

Tips for å opprettholde maksimal batterilevetid

1. Lad batteriinnnsatsen før den er helt utladet. Stopp alltid driften av verktøyet og lad batteriinnnsatsen når du merker at effekten reduseres.
2. Lad aldri en batteriinnnsats som er fulladet. Overopplading forkorter batteriets levetid.
3. Lad batteriet i romtemperatur ved 10 °C - 40 °C. Et varmt batteri må kjøles ned før lading.
4. Når batteriet ikke er bruk, skal det tas ut av verktøyet eller laderen.
5. Lad batteriet hvis det ikke har vært brukt på en lang stund (over seks måneder).

Viktige sikkerhetsanvisninger for trådløs enhet

1. Du må ikke demontere eller tukle med den trådløse enheten.
2. Hold den trådløse enheten unna små barn. Hvis enheten ved et uheld svelges, skal lege kontaktes umiddelbart.
3. Den trådløse enheten skal kun brukes med Makita-verktøy.
4. Ikke utsett den trådløse enheten for regn eller fuktighet.
5. Ikke bruk den trådløse enheten på steder den temperaturen overskrider 50 °C.
6. Ikke bruk den trådløse enheten på steder der medisinsk utstyr, som pacemakere, er i nærheten.
7. Ikke bruk den trådløse enheten på steder der automatiserte enheter er i nærheten. Hvis automatisert enheter tas i bruk, kan det oppstå en funksjonssvikt eller feil.

TA VARE PÅ DISSE INSTRUKSENE.

FUNKSJONSBEKRIVELSE

⚠FORSIKTIG: Forviss deg alltid om at maskinen er slått av og batteriet tatt ut før du justerer maskinen eller kontrollerer dens mekaniske funksjoner.

Sette inn eller ta ut batteri

⚠FORSIKTIG: Slå alltid av verktøyet før du setter inn eller fjerner batteriet.

⚠FORSIKTIG: Hold verktøyet og batteripatronen i et fast grep når du monterer eller fjerner batteripatronen. Hvis du ikke holder verktøyet og batteripatronen godt fast, kan du miste grepet, og dette kan føre til skader på verktøyet og batteripatronen samt personskader.

► **Fig.1:** 1. Rød indikator 2. Knapp 3. Batteriinnsets

For å ta ut batteriet må du skyve på knappen foran på batteriet og trekke det ut.

Når du skal sette inn batteriet, må du plassere tungen på batteriet på linje med sporet i huset og skyve batteriet på plass. Skyv det helt inn til det går i inngrep med et lite klikk. Hvis du kan se den røde indikatoren som vist i figuren, er det ikke helt låst.

⚠FORSIKTIG: Batteriet må alltid settes helt inn, så langt at den røde indikatoren ikke lenger er synlig. Hvis dette ikke gjøres, kan batteriet falle ut av verktøyet og skade deg eller andre som oppholder seg i nærheten.

⚠FORSIKTIG: Ikke bruk makt når du setter i batteriet. Hvis batteriet ikke blir lett inn, er det fordi det ikke settes inn på riktig måte.

Batteribeskyttelse

Bruk en batteribeskyttelse som følger med verktøyet til å verne om og skjerme batteriet.

⚠FORSIKTIG: Batteriet skal alltid tas ut av verktøyet før en batteribeskyttelse monteres eller demonteres.

⚠FORSIKTIG: Hold aldri i en batteribeskyttelse når du bærer verktøyet fra ett sted til et annet eller mens du holder verktøyet når det ikke er i bruk.

OBS: En batteribeskyttelse kan bare monteres for bl.a. batterimodellene BL1830B / BL1840B / BL1850B / BL1860B.

Indikere gjenværende batterikapasitet

Kun for batterier med indikatoren

► **Fig.2:** 1. Indikatorlamper 2. Kontrollknapp

Trykk på sjekk-knappen på batteriet for vise gjenværende batterikapasitet. Indikatorlampene lyser i et par sekunder.

Indikatorlamper			Gjenværende batterinivå
Tent	Av	Blinker	
			75 % til 100 %
			50 % til 75 %
			25 % til 50 %
			0 % til 25 %
			Lad batteriet.
			Batteriet kan ha en feil.

MERK: Det angitte nivået kan avvike noe fra den faktiske kapasiteten alt etter bruksforholdene og den omgivende temperaturen.

MERK: Den første (helt til venstre) indikatorlampen vil blinke når batterivernsystemet fungerer.

Batterivernsystem for verktøy/batteri

Verktøyet er utstyrt med et batterivernsystem for verktøy/batteri. Dette systemet kutter automatisk strømmen til motoren for å forlenge verktøyets og batteriets levetid. Verktøyet stopper automatisk under drift hvis verktøyet eller batteriet utsettes for en av følgende tilstander:

Overlastsikring

Når verktøyet eller batteriet brukes på en måte som gjør at det bruker unormalt mye strøm, vil verktøyet stanse automatisk og uten forvarsel. Hvis dette skjer, må du slå av verktøyet og avslutte bruken som forårsaket at verktøyet ble overbelastet. Slå deretter verktøyet på for å starte det igjen.

Overopphetingsvern

Når verktøyet eller batteriet blir overopphetet, stanser verktøyet automatisk. I dette tilfellet lar du verktøyet og batteriet avkjøles før du starter verktøyet på nytt.

Overutladingsvern

Når det blir batterikapasiteten er utilstrekkelig, stopper verktøyet automatisk. I så fall fjerner du batteriet fra verktøyet og lader det.

Bryterfunksjon

⚠️ FORSIKTIG: Ikke skru på verktøyet mens det hviler på arbeidsstykket eller på arbeidsbenken. Det kan forårsake personskader eller materielle skader.

Skru verktøyet på og av

Trykk på strøm-/turtallsknappen på hovedhåndtaket for å starte verktøyet. Verktøyet begynner å kjøre på høyeste omløpshastighet.

Stopp eller sett verktøyet på pause ved å trykke på stoppknappen.

- **Fig.3:** 1. Strøm-/turtallsknapp 2. Stoppknapp
3. Hovedhåndtak

Endre verktøyets turtall

Omløpshastigheten kan endres i tre modi, dvs. høy, midt og lav, avhengig av bruksområde og arbeidsmengde. Bytt turtallsmodus ved å trykke på strøm-/turtallsknappen.

- **Fig.4:** 1. Strøm-/turtallsknapp

Tabell for turtallsinnstillinger

Turtall	Omløp per minutt
3 (høy)	12 000 min ⁻¹ (/min)
2 (middels)	8 000 min ⁻¹ (/min)
1 (lav)	4 000 min ⁻¹ (/min)

OBS: Hvis verktøyet brukes lenge og kontinuerlig ved lavt turtall, vil motoren bli overbelastet og slutte å virke som den skal.

OBS: Velg riktig turtallsområde for slipingen du skal utføre slik at du unngår at arbeidsstykket blir overopphetet og smelter. Arbeidsstykket kan bli varmt under sliping ved høy omløpshastighet, slik at det smelter på kontaktpunktet.

Elektronisk funksjon

Verktøyet er utstyrt med den elektroniske funksjonen for å gjøre det enkelt å bruke.

Konstant turtallskontroll

Denne funksjonen gir en konstant omløpshastighet for å oppnå en pen overflate.

MONTERING

⚠️ FORSIKTIG: Forviss deg alltid om at maskinen er slått av og batteriet tatt ut før du utfører noe arbeid på maskinen.

Sette på og fjerne slipepapir

⚠️ FORSIKTIG: Kontroller alltid at et ark med slipepapir er satt godt på før bruk. Ellers kan papiret løsne, falle av eller forskyve seg, slik at sliperesultatet blir ujevnt.

Bruke slipepapir som følger med verktøyet

1. Trykk på og hold nede klemmespaken på enten fremre eller bakre ende av puten, og skyv den bort fra stopperen slik at klemmen frigjøres fra fastklemt stilling.
2. Trekk klemmespaken utover så langt den går, slik at det oppstår et mellomrom mellom klemmen og slipefoten der den ene enden av slipepapiret kan skyves inn.
► **Fig.5:** 1. Klemmespak 2. Stopper 3. Klemme 4. Slipefot 5. Pute
3. Plasser et ark med slipepapir over puten, samtidig som du innretter støvsugehullene i papiret med hullene i puten.
► **Fig.6:** 1. Slipepapir 2. Pute 3. Støvsugehull
4. Skyv den ene enden av slipepapiret inn i mellomrommet mellom klemmen og slipefoten.
5. Sett klemmespaken tilbake i låst stilling slik at enden av slipepapiret klemmes godt på plass.
6. Frigjør klemmen i den andre enden, og gjør den andre enden av slipepapiret klart til å bli klemt fast.
7. Stram slipepapiret godt, og sette deretter klemmespaken i den andre enden i låst stilling.
► **Fig.7:** 1. Slipepapir 2. Klemme 3. Slipefot 4. Klemmespak 5. Stopper
8. Slipepapiret fjernes ved å frigjøre klemmene i begge ender og ta papiret bort fra puten.

Bruke slipepapir som er tilgjengelig på markedet

1. Klipp et ark med slipepapir ned til passe størrelse.
► **Fig.8:** 1. Slipepapir 2. Pute
2. Trykk på og hold nede klemmespaken på enten fremre eller bakre ende av puten, og skyv den bort fra stopperen slik at klemmen frigjøres fra fastklemt stilling.
3. Trekk klemmespaken utover så langt den går, slik at det oppstår et mellomrom mellom klemmen og slipefoten der den ene enden av slipepapiret kan skyves inn.
4. Skyv den ene enden av slipepapiret inn i mellomrommet mellom klemmen og slipefoten.
5. Flytt på slipepapiret slik at det ligger nøye plassert på putens overflate.
6. Sett klemmespaken tilbake i låst stilling slik at du kan klemme enden av slipepapiret godt på plass.
7. Frigjør klemmen i den andre enden, og gjør den andre enden av slipepapiret klart til å bli klemt fast.
8. Stram slipepapiret godt, og sette deretter klemmespaken i den andre enden i låst stilling.
► **Fig.9:** 1. Slipepapir 2. Klemme 3. Slipefot 4. Klemmespak 5. Stopper
9. Dekk slipepapiret med hullplaten, slik at posisjoneringsstopperne grenser til hjørnet, godt plassert inn i to av sidekantene på puten og slipefoten.
► **Fig.10:** 1. Slipepapir 2. Hullplate 3. Posisjoneringsstopper 4. Pute 5. Slipefot
10. Skyv hullplaten over slipepapiret for å lage støvsugehull.
11. Slipepapiret fjernes ved å frigjøre klemmene i begge ender og ta papiret bort fra puten.

Bruke slipepapir med borrelås

Valgfritt tilbehør

⚠️FORSIKTIG: Sørg for at en pute med borrelås settes riktig på og festes godt. Et løst tilbehør vil gå ut av balanse og føre til for mye vibrasjon, hvilket kan føre til tap av kontroll.

⚠️FORSIKTIG: Kontroller at en pute og slipepapir med borrelås er innrettet og godt festet.

⚠️FORSIKTIG: Bruk bare slipepapir med borrelås. Bruk aldri trykkfølsomme slipepapir.

1. Løsne og fjern de fire skruene som fester puten til slipefoten.
2. Erstatt standardputen som følger med, med en valgfri pute med borrelås.
3. Stram skruene godt for å feste puten med borrelås på riktig måte.
► **Fig.11:** 1. Skruer 2. Slipefot 3. Pute
4. Fjern alt smuss og alle fremmedlegemer fra puten med borrelås.
5. Fest et ark med valgfritt slipepapir med borrelås over puten, samtidig som du innretter støvsugehullene i papiret med hullene i puten.
► **Fig.12:** 1. Slipepapir 2. Pute 3. Støvsugehull
6. Fjern slipepapiret ved å trekke det bort fra kanten.

⚠️FORSIKTIG: Det kan hende at O-ringen kommer ut av slipefoten når puten skiftes ut. Sett O-ringen tilbake i de sirkelformede sporene rundt midten av foten før den valgfrie puten settes på.

► **Fig.13:** 1. O-ring 2. Slipefot 3. Sirkelformede spor

Montere og fjerne støvposen

Valgfritt tilbehør

Fest støvposen over det koniske støvutløpet bakerst på motorhuset. Sett posens støvinntak så langt inn på støvutløpet som det går for å unngå at det faller av under bruk.

► **Fig.14:** 1. Støvutløp 2. Støvinntak 3. Støvpose

MERK: Sørg for å feste støvposen med glidelåsdragere vendt nedover.

MERK: Optimal støvoppsamling sikres ved å tømme støvposen når den blir omtrent halvfull. Ta støvposen ut av verktøyet, og trekk ut festemekanismen. Deretter rister eller dunker du støvposen forsiktig for å tømme den.

Montere og fjerne støvboksen

Valgfritt tilbehør

Fest støvboksen over det koniske støvutløpet bakerst på motorhuset. Sett posens støvmunnstykket så langt inn på støvutløpet som det går for å unngå at det faller av under bruk.

► **Fig.15:** 1. Støvutløp 2. Støvmunnstykke
3. Støvboks

MERK: Optimal støvoppsamling sikres ved å tømme støvboksen når den blir omtrent halvfull.

1. Fjern støvboksen fra verktøyet.
2. Koble støvmunnstykket fra boksen samtidig som du trykker på og holder smekklåsene på begge sider av boksen.
3. Rist eller dunk støvboksen forsiktig for å tømme den.

Skifte ut filter

OBS: Sørg for å innrette logoene på støvboks, filter og støvmunnstykke i samme retning når komponentene settes sammen igjen.

1. Fjern støvboksen fra verktøyet.
2. Koble støvmunnstykket fra boksen samtidig som du trykker på og holder smekklåsene på begge sider av boksen.
► **Fig.16:** 1. Støvmunnstykke 2. Støvboks
3. Smekklås
3. Hold i den indre, øvre kanten på kartongåpningen, og trekk den av nedover for å løsne den ytre, øvre kanten på kartongåpningen fra den øvre heketappen på støvboksens rand.
4. Ta filteret ut av støvboksen samtidig som du trekker den ytre, nedre kanten på kartongåpningen løs fra den nedre heketappen.
► **Fig.17:** 1. Filter 2. Kartongåpning 3. Øvre heketapp
4. Nedre heketapp 5. Støvboks
5. Skift ut et filter ved å sørge for at den nedre kanten på kartongåpningen går i inngrep i den nedre heketappen og skyve den øvre kanten innover til den smekker på den øvre heketappen.
► **Fig.18:** 1. Filter 2. Kartongåpning 3. Øvre heketapp
4. Nedre heketapp 5. Støvboks

6. Smekk støvmunnstykket på plass samtidig som du trykker på og holder smekklåsene på begge sider av støvboksen.

► **Fig.19:** 1. Støvmunnstykke 2. Støvboks
3. Smekklås

Fjerne og montere fremre grep

⚠️FORSIKTIG: Når det er satt sammen igjen, trekker du i det fremre grepet for å kontrollere at det er festet godt sammen.

OBS: Sørg for å skyve det fremre grepet helt inn i sporendene, og hold det på plass samtidig som du roterer det fremre grepet. Hvis du ikke gjør dette, kan verktøyet bli skadet.

Hvis du fjerner det avtakbare fremre grepet, kan du slipe på trange, smale og vanskelig tilgjengelige steder på en enkel måte.

Demontere

Skyv og hold det fremre grepet godt fast mot motorhuset, og roter det 90 grader enten mot venstre eller høyre. Deretter trekker du det bort fra verktøyet.

Montere

Sett enden på det fremre grepet inn i sporet på motorhuset, samtidig som du innretter gripeendens ytterlinjer med sporets ytterlinjer.

Skyv og hold det fremre grepet godt fast mot huset, og roter det 90 grader med gripeflaten vendt oppover.

- **Fig.20:** 1. Fremre grep 2. Spor 3. Motorhus
4. Gripeflate

Koble til støvsuger

Valgfritt tilbehør

Hvis du vil slippe så rent som mulig, kan du koble en Makita-støvsuger til verktøyet. Bruken enten en valgfri slange på 28 mm eller en kombinasjon av fronthyler 22 og slangen som følger med støvsugeren for å opprette en tilkobling.

- **Fig.21:** 1. Støvutløp 2. Fronthyler 3. Slange
4. Støvsuger

BRUK

Slipedrift

⚠FORSIKTIG: Maskinen må aldri brukes uten slipepapir. Du kan gjøre stor skade på rondellen.

⚠FORSIKTIG: Bruk aldri makt på maskinen. For stor kraft kan redusere slipeeffektiviteten, ødelegge slipepapiret og/eller forkorte maskinens levetid.

Slipe åpne områder

1. Hold verktøyet godt fast med begge hender – den ene på håndtaket og den andre på det fremre grepet.
2. Slå på verktøyet, og vent til det oppnår fullt turtall.
3. Sett deretter verktøyet forsiktig på overflaten av arbeidsstykket.
4. Hold hele puten jevnt og i flukt med overflaten, og legg et svakt trykk på verktøyet.

- **Fig.22**

Slipe på trange steder

1. Koble det fremre grepet fra verktøyet.
2. Hold håndtaket med én hånd.
3. Slå på verktøyet, og vent til det oppnår fullt turtall.
4. Sett deretter verktøyet forsiktig på overflaten av arbeidsstykket.
5. Hold hele puten jevnt og i flukt med overflaten, og legg et svakt trykk på verktøyet.
6. Beveg verktøyet langs buer, veggfronter og andre trange steder, mens du sliper med den front- og hjørnekantene på puten etter behov.

- **Fig.23**

TRÅDLØSAKTIVERINGSFUNKSJON

Kun for modell DBO381

OBS: Den trådløse funksjonen er kun tilgjengelig når den støttede støvsugeren monteres.

Hva du kan gjøre med trådløsaaktiveringsfunksjonen

Trådløsaaktiveringsfunksjonen muliggjør ren og behagelig bruk. Hvis du kobler en støttet støvsuger til verktøyet, kan du bruke støvsugeren automatisk sammen med verktøyet bryterfunksjon.

- **Fig.24**

Hvis du vil bruke trådløsaaktiveringsfunksjonen, må du klargjøre følgende elementer:

- En trådløs enhet (valgfritt tilbehør)
- En støvsuger som støtter trådløsaaktiveringsfunksjonen

Oversikten over innstillingen for trådløsaaktiveringsfunksjonen er som følger. Du finner detaljerte fremgangsmåter i hver enkelt del.

1. Installere den trådløse enheten
2. Verktøyregistrering for støvsugeren
3. Starte trådløsaaktiveringsfunksjonen

Installere den trådløse enheten

Valgfritt tilbehør

⚠FORSIKTIG: Plasser verktøyet på et flatt og stabilt underlag når du skal installere den trådløse enheten.

OBS: Fjern støv og smuss på verktøyet før du installerer den trådløse enheten. Støv eller smuss kan føre til funksjonsfeil hvis det trenger inn i den trådløse enhetens spor.

OBS: For å unngå funksjonsfeil som følge av statisk elektrisitet, berører du et statisk utladningsmateriale, som en av verktøyet metalldele, før du tar i den trådløse enheten.

OBS: Når du installerer den trådløse enheten, må du passe på at den trådløse enheten settes inn i riktig rettet og at lokket lukkes helt igjen.

1. Åpne logget på verktøyet som vist i figuren.
► **Fig.25:** 1. Lokk
2. Sett den trådløse enheten inn i sporet, og lukk lokket.

Når du setter inn den trådløse enheten, innretter du fremspringene med de utsparte delene på sporet.

- **Fig.26:** 1. Trådløs enhet 2. Fremspring 3. Lokk
4. Utspart del

Når du fjerner den trådløse enheten, må du åpne lokket sakte. Krokene på baksiden av lokket vil løfte den trådløse enheten når du drar i lokket.

► **Fig.27:** 1. Trådløs enhet 2. Krok 3. Løkk

Etter at du har fjernet den trådløse enheten, oppbevarer den i esken som følger med eller en beholder som ikke er statisk.

OBS: Du må alltid bruke krokene på baksiden av lokket når du fjerner den trådløse enheten. Hvis krokene ikke hefter seg fast i den trådløse enheten, lukker du lokket helt og åpner det sakte på nytt.

Verktøyregistrering for støvsugeren

MERK: En Makita-støvsuger som støtter trådløse aktiveringsfunksjonen er nødvendig for verktøyregistrering.

MERK: Fullfør installasjonen av den trådløse enheten i verktøyet før du starter verktøyregistreringen.

MERK: Du må ikke dra i startbryteren eller slå på strømbryteren på støvsugeren under verktøyregistrering.

MERK: Les i tillegg brukerveiledningen for støvsugeren.

Hvis du ønsker å aktivere støvsugeren sammen med verktøyet bryterfunksjon, må du fullføre verktøyregistreringen på forhånd.

1. Sett batteriene i støvsugeren og verktøyet.
2. Still ventebryteren på støvsugeren på "AUTO".
► **Fig.28:** 1. Ventebryter
3. Trykk på trådløse aktiveringsknappen på støvsugeren i 3 sekunder til trådløse aktiveringslampen blinker grønt. Deretter trykker du på trådløse aktiveringsknappen på verktøyet på samme måte.
► **Fig.29:** 1. Trådløse aktiveringsknapp
2. Trådløse aktiveringslampe

Hvis koblingen av støvsugeren og verktøyet lykkes, vil trådløse aktiveringslampene lyse grønt i 2 sekunder og begynner å blinke blått.

MERK: Trådløse aktiveringslampene slutter å blinke grønt når det har gått 20 sekunder. Trykk på trådløse aktiveringsfunksjonen på verktøyet mens trådløse aktiveringslampen på støvsugeren blinker. Hvis trådløse aktiveringslampen ikke blinker grønt, trykker du på trådløse aktiveringsknappen et kort øyeblikk og holder den inne igjen.

MERK: Når du utfører to eller flere verktøyregistreringer for én støvsuger, fullfører du verktøyregistreringen etter en.

Starte trådløse aktiveringsfunksjonen

MERK: Fullfør verktøyregistreringen for støvsugeren før trådløse aktiveringen.

MERK: Les i tillegg brukerveiledningen for støvsugeren.

Etter at et verktøy er registrert til støvsugeren, vil støvsugeren automatisk svive sammen med verktøyet bryterfunksjonen.

1. Installer den trådløse enheten i verktøyet.

2. Koble støvsugerens slange til verktøyet.

► **Fig.30**

3. Still ventebryteren på støvsugeren på "AUTO".

► **Fig.31:** 1. Ventebryter

4. Trykk et kort øyeblikk på trådløse aktiveringsknappen på verktøyet. Trådløse aktiveringslampen vil blinke blått.

► **Fig.32:** 1. Trådløse aktiveringsknapp
2. Trådløse aktiveringslampe

5. Dra i verktøyet startbryter. Kontroller om støvsugeren sviver mens du drar i startbryteren.

Hvis du vil stanse støvsugerens trådløse aktivering, trykker du på trådløse aktiveringsknappen på verktøyet.

MERK: Trådløse aktiveringslampen på verktøyet vil slutte å blinke blått når verktøyet ikke har blitt brukt på 2 timer. Da setter du i tilfelle ventebryteren på støvsugeren på "AUTO" og trykker på trådløse aktiveringsknappen på verktøyet igjen.

MERK: Støvsugeren starter/stopper med en forsinkelse. Det er en tidsforsinkelse når støvsugeren oppdater at en bryter på verktøyet er trykket på.











MERK: Det trådløse enhetens overføringsavstand kan variere avhengig av sted og omgivelsesforhold.

MERK: Når to eller flere verktøy er registrert til én støvsuger, kan det hende at støvsugeren begynner å svive selv om du ikke drar i startbryteren, fordi en annen bruker trådløse aktiveringsfunksjonen.

Beskrivelse av trådløssaktiveringslampens status

► Fig.33: 1. Trådløssaktiveringslampe

Trådløssaktiveringslampen viser statusen til trådløssaktiveringsfunksjonen. Du finner informasjon om lampestatusens betydning i tabellen nedenfor.

Status	Trådløssaktiveringslampe				Beskrivelse
	Farge	 På	 Blinker	Varighet	
Vente-modus	Blå			2 timer	Trådløssaktivering av støvsugeren er tilgjengelig. Lampen vil slå seg av når verktøyet ikke har blitt brukt på 2 timer.
				Når verktøyet sviver.	Trådløssaktivering av støvsugeren er tilgjengelig, og verktøyet sviver.
Verktøyregistrering	Grønn			20 sekunder	Klar for verktøyregistrering. Venter på registrering av støvsugeren.
				2 sekunder	Verktøyregistreringen er fullført. Trådløssaktiveringslampen vil begynne å blinke blått.
Avbryte verktøyregistrering	Rød			20 sekunder	Klar for å avbryte verktøyregistrering. Venter på at støvsugeren skal avbryte.
				2 sekunder	Verktøyregistreringen er avbrutt. Trådløssaktiveringslampen vil begynne å blinke blått.
Andre	Rød			3 sekunder	Den trådløse enheten forsynes med strøm, og trådløssaktiveringsfunksjonen starter opp.
	Av	-		-	Trådløssaktivering av støvsugeren stanses.

Avbryte verktøyregistrering for støvsugeren

Gå frem på følgende måte når du skal avbryte verktøyregistrering for støvsugeren.

1. Sett batteriene i støvsugeren og verktøyet.
2. Still ventebryteren på støvsugeren på "AUTO".

► Fig.34: 1. Ventebryter

3. Trykk på trådløssaktiveringsknappen på støvsugeren i 6 sekunder. Trådløssaktiveringslampen blinker grønt og blir deretter rød. Deretter trykker du på trådløssaktiveringsknappen på verktøyet på samme måte.

► Fig.35: 1. Trådløssaktiveringsknapp
2. Trådløssaktiveringslampe

Hvis avbrytingen er vellykket, vil trådløssaktiveringslampene lyse rødt i 2 sekunder og begynne å blinke blått.

MERK: Trådløssaktiveringslampene slutter å blinke rødt når det har gått 20 sekunder. Trykk på trådløssaktiveringsfunksjonen på verktøyet mens trådløssaktiveringslampen på støvsugeren blinker. Hvis trådløssaktiveringslampen ikke blinker rødt, trykker du på trådløssaktiveringsknappen et kort øyeblikk og holder den inne igjen.

Feilsøking for trådløsoverføringsfunksjonen

Inspiser utstyret selv før du bestiller reparasjon. Ikke prøv å demontere verktøyet hvis du finner et problem som ikke er forklart i brukerveiledningen. I stedet bør du ta kontakt med et av Makitas autoriserte servicesentre, som alltid bruker reservedeler fra Makita til reparasjoner.

Unormal tilstand	Sannsynlig årsak (feil)	Løsning
Trådløsoverføringslampe tennes/ blinker ikke.	Den trådløse enheten er ikke installert i verktøyet. Den trådløse enheten er installert på feil måte i verktøyet.	Installer den trådløse enheten på riktig måte.
	Det trådløse enhetens tilkoblingspunkt og/eller spor er tilsmusset.	Tørk forsiktig bort støv og smuss på den trådløse enhetens tilkoblingspunkt, og rengjør sporet.
	Du har ikke trykket på trådløsoverføringsknappen.	Trykk et kort øyeblikk på trådløsoverføringsknappen på verktøyet.
	Ventebryteren på støvsugeren er ikke stilt inn på "AUTO".	Still ventebryteren på støvsugeren på "AUTO".
	Ingen strømforsyning	Sørg for at verktøyet og støvsugeren har strømforsyning.
Kan ikke fullføre verktøyregistrering/ avbryt verktøyregistrering.	Den trådløse enheten er ikke installert i verktøyet. Den trådløse enheten er installert på feil måte i verktøyet.	Installer den trådløse enheten på riktig måte.
	Det trådløse enhetens tilkoblingspunkt og/eller spor er tilsmusset.	Tørk forsiktig bort støv og smuss på den trådløse enhetens tilkoblingspunkt, og rengjør sporet.
	Ventebryteren på støvsugeren er ikke stilt inn på "AUTO".	Still ventebryteren på støvsugeren på "AUTO".
	Ingen strømforsyning	Sørg for at verktøyet og støvsugeren har strømforsyning.
	Feil bruk	Trykk på trådløsoverføringsknappen et kort øyeblikk, og utfør verktøyregistrering/avbryting på nytt.
	Verktøyet og støvsugeren er for langt unna hverandre (utenfor overføringsområdet).	Sørg for at verktøyet og støvsugeren er nærmere hverandre. Maksimal overføringsavstand er ca. 10 m, men den kan variere avhengig av forholdene.
	Før du fullfører verktøyregistrering/avbryting: – dra i startbryteren på verktøyet, eller – slå på startknappen på støvsugeren.	Trykk på trådløsoverføringsknappen et kort øyeblikk, og utfør verktøyregistrering/avbryting på nytt.
	Verktøyregistreringen for verktøyet eller støvsugeren er ikke fullført.	Følg fremgangsmåten for verktøyregistrering for både verktøyet og støvsugeren samtidig.
	Radioforstyrrelse fra andre innretninger som genererer radiobølger med høy intensitet.	Hold verktøyet og støvsugeren borte fra innretninger som WiFi-enheter og mikrobølgeovner.
	Støvsugeren svinger ikke sammen med verktøyet bryterfunksjon.	Den trådløse enheten er ikke installert i verktøyet. Den trådløse enheten er installert på feil måte i verktøyet.
Det trådløse enhetens tilkoblingspunkt og/eller spor er tilsmusset.		Tørk forsiktig bort støv og smuss på den trådløse enhetens tilkoblingspunkt, og rengjør sporet.
Du har ikke trykket på trådløsoverføringsknappen.		Trykk på trådløsoverføringsknappen et kort øyeblikk, og kontroller at trådløsoverføringslampe blinker blått.
Ventebryteren på støvsugeren er ikke stilt inn på "AUTO".		Still ventebryteren på støvsugeren på "AUTO".
Mer enn 10 verktøy er registrert til støvsugeren.		Utfør verktøyregistreringen på nytt. Hvis mer enn 10 verktøy er registrert til støvsugeren, vil det først registrerte verktøyet bli fjernet automatisk.
Støvsugeren slettet alle verktøyregistreringer.		Utfør verktøyregistreringen på nytt.
Ingen strømforsyning		Sørg for at verktøyet og støvsugeren har strømforsyning.
Verktøyet og støvsugeren er for langt unna hverandre (utenfor overføringsområdet).		Sørg for at verktøyet og støvsugeren er nærmere hverandre. Maksimal overføringsavstand er ca. 10 m, men den kan variere avhengig av forholdene.
Radioforstyrrelse fra andre innretninger som genererer radiobølger med høy intensitet.		Hold verktøyet og støvsugeren borte fra innretninger som WiFi-enheter og mikrobølgeovner.
Støvsugeren svinger når du ikke drar i startbryteren.		Andre brukere bruker støvsugerens trådløsoverføring med verktøyene sine.

VEDLIKEHOLD

⚠FORSIKTIG: Forviss deg alltid om at maskinen er slått av og batteriet tatt ut før du foretar inspeksjon eller vedlikehold.

OBS: Aldri bruk gasolin, bensin, tynner alkohol eller lignende. Det kan føre til misfarging, deformering eller sprekkdannelse.

For å opprettholde produktets SIKKERHET og PÅLITELIGHET, må reparasjoner, vedlikehold og justeringer utføres av autoriserte Makita servicesentre eller fabrikkservicesentre, og det må alltid brukes reservedeler fra Makita.

Etter bruk

Tørk med jevne mellomrom over verktøyet med en tørr klut eller en klut som er lett fuktet med såpevann.

VALGFRI TTILBEHØR

⚠FORSIKTIG: Det anbefales at du bruker dette tilbehøret eller verktøyet sammen med den Makita-maskinen som er spesifisert i denne håndboken. Bruk av annet tilbehør eller verktøy kan forårsake personskader. Tilbehør og verktøy må kun brukes til det formålet det er beregnet på.

Ta kontakt med ditt lokale Makita-servicesenter hvis du trenger mer informasjon om dette tilbehøret.

- Slipepapir (med forhåndsstansede huller)
- Slipepapir av krok-og-løkke-typen.
- Hullplate
- Bakpute (For bruk med slipepapir av krok-og-løkke-typen)
- Bakpute (For bruk med vanlig slipepapir)
- Støvpose
- Støvboks
- Hovedfilter
- Slange
- Trådløs enhet (Kun for modell DBO381)
- Batteribeskyttelse
- Makita originalbatteri og lader

MERK: Enkelte elementer i listen kan være inkludert som standardtilbehør i verktøypakken. Elementene kan variere fra land til land.

TEKNISET TIEDOT

Malli:	DBO380	DBO381
Hioma-alustan koko	92 mm x 185 mm	
Hiomapaperin koko	93 mm x 228 mm	
Kierrosta minuutissa	Korkea	12 000 min ⁻¹
	Keskitaso	8 000 min ⁻¹
	Alhainen	4 000 min ⁻¹
Kokonaispituus (etukahvan kanssa)	336 mm	
Nimellisjännite	DC 18 V	
Nettopaino	1,9–2,2 kg	

- Jatkuvasta tutkimus- ja kehitystyöstämme johtuen esitetyt tekniset tiedot saattavat muuttua ilman erillistä ilmoitusta.
- Tekniset tiedot ja akkupaketti voivat vaihdella maittain.
- Paino voi olla erilainen lisävarusteista sekä akusta johtuen. EPTA-menettelytavan 01/2014 mukaisesti, taulukossa on kuvattu kevyin ja painavin laiteyhdistelmä.

Käytettävä akkupaketti ja laturi

Akkupaketti	BL1815N / BL1820B / BL1830B / BL1840B / BL1850B / BL1860B
Laturi	DC18RC / DC18RD / DC18RE / DC18SD / DC18SE / DC18SF / DC18SH

- Tiettyjä yläpuolella kuvattuja akkuja ja latureita ei ehkä ole saatavana asuinalueestasi johtuen.

VAROITUS: Käytä vain edellä eriteltyjä akkupaketteja ja latureita. Muiden akkupakettien ja laturien käyttäminen voi aiheuttaa loukkaantumisen ja/tai tulipalon.

Käyttötarkoitus

Työkalu on tarkoitettu suurten puu-, muovi- ja metallipintojen sekä maalattujen pintojen hiomiseen.

Melutaso

Tyypillinen A-painotettu melutaso määräytyy standardin EN62841-2-4 mukaan:

Malli DBO380

Äänenpainetaso (L_{pA}): 72 dB (A)

Virhemarginaali (K): 3 dB (A)

Malli DBO381

Äänenpainetaso (L_{pA}): 72 dB (A)

Virhemarginaali (K): 3 dB (A)

Työskentelyn aikana melutaso voi ylittää 80 dB (A).

HUOMAA: Ilmoitetut melutasoarvot on mitattu standarditestausmenetelmän mukaisesti ja niiden avulla voidaan vertailla työkaluja keskenään.

HUOMAA: Ilmoitettuja melutasoarvoja voidaan käyttää myös altistumisen alustavaan arviointiin.

VAROITUS: Käytä kuulosuojaimia.

VAROITUS: Sähkötyökalun käytön aikana mitattu melutasoarvo voi poiketa ilmoitetuista arvoista laitteen käyttötavan ja erityisesti käsiteltävän työkalun mukaan.

VAROITUS: Selvitä käyttäjän suojaamiseksi tarvittavat varoimet todellisissa käyttöolosuhteissa tapahtuvan arvioidun altistumisen mukaisesti (ottaen huomioon käyttöjakso kokonaisuudessaan, myös jaksot, joiden aikana laite on sammutettuna tai käy tyhjäkäynnillä).

Tärinä

Kokonaistärinä (kolmen akselin vektorien summa) määräytyy standardin EN62841-2-4 mukaan:

Malli DBO380

Työtila: metallilevyn hionta

Tärinäpäästö (a_{h1}): 3,6 m/s²

Virhemarginaali (K): 1,5 m/s²

Malli DBO381

Työtila: metallilevyn hionta

Tärinäpäästö (a_{h1}): 3,6 m/s²

Virhemarginaali (K): 1,5 m/s²

HUOMAA: Ilmoitetut kokonaistärinäarvot on mitattu standarditestausmenetelmän mukaisesti ja niiden avulla voidaan vertailla työkaluja keskenään.

HUOMAA: Ilmoitettuja kokonaistärinäarvoja voidaan käyttää myös altistumisen alustavaan arviointiin.

VAROITUS: Sähkötyökalan käyttöön aikana mitattu todellinen näinääpäästöarvo voi poiketa ilmoitetuista arvoista laitteen käyttötavan ja erityisesti käytettävän työkalupaleen mukaan.

VAROITUS: Selvitä käyttäjän suojaamiseksi tarvittavat varoimet todellisissa käyttöolosuhteissa tapahtuvan arvioidun altistumisen mukaisesti (ottaen huomioon käyttöjakso kokonaisuuressaan, myös jaksot, joiden aikana laite on sammutettuna tai käy tyhjäkäynnillä).

EY-vaatimusten mukaisuusvakuutus

Koskee vain Euroopan maita

EY-vaatimusten mukaisuusvakuutus on liitetty tähän käyttöoppaaseen.

TURVAVAROITUKSET

Sähkötyökalujen käyttöä koskevat yleiset varoitukset

VAROITUS: Tutustu kaikkiin tämän sähkötyökalan mukana toimitettuihin varoituksiin, ohjeisiin, kuviin ja teknisiin tietoihin. Seuraavassa lueteltujen ohjeiden noudattamatta jättäminen saattaa johtaa sähköiskuun, tulipaloon tai vakavaan vammautumiseen.

Säilytä varoitukset ja ohjeet tulevaa käyttöä varten.

Varoituksissa käytettävällä termillä "sähkötyökalu" tarkoitetaan joko verkkovirtaa käyttävää (johdollista) työkalua tai akkukäyttöistä (johdotonta) työkalua.

Hiomakoneen turvallisuusohjeet

1. Käytä aina suojalaseja. Tavalliset silmä- tai aurinkolasit EIVÄT ole suojalaseja.
2. Ota koneesta luja ote.
3. Älä jätä konetta käymään itseksensä. Käytä laitetta vain silloin, kun pidät sitä kädessä.
4. Tätä työkalua ei ole suunniteltu vesitiiviiksi.
5. Tuuleta työskentelyalue hyvin, kun suoritat hiekkapaperihiontaa.
6. Jotkin materiaalit sisältävät kemikaaleja, jotka voivat olla myrkyllisiä. Huolehdi siitä, että pölyn sisäänhengittäminen ja ihokosketus estetään. Noudata materiaalin toimittajan turvaohjeita.
7. Tämän koneen käyttö joidenkin tuotteiden, maalin ja puun hiomiseen voi altistaa käyttäjän vahingollisia aineita sisältävälle pölylle. Käytä asianmukaista hengityssuojainta.
8. Varmista ennen käyttöä, ettei suojaimen pehmusteessa ole halkeamia tai murtumia. Halkeamat tai murtumat voivat aiheuttaa henkilövammoja.
9. Huolehdi jalansijasta ja säilytä tasapaino käsitellessäsi työkalua. Varmista, ettei kukaan ole alapuolella, kun työskentelet korkeissa paikoissa.

SÄILYTÄ NÄMÄ OHJEET.

VAROITUS: ÄLÄ anna työkalun heppokäyttöisyyden (toistuvan käytön aikaansaama) johtaa sinua vääraan turvallisuuden tunteeseen niin, että laiminlyöt työkalun turvaohjeiden noudattamisen. **VÄÄRINKÄYTTÖ** tai tässä käyttöohjeessa ilmoitettujen turvamääräysten laiminlyönti voi aiheuttaa vakavia henkilövahinkoja.

Akkupakettia koskevia tärkeitä turvaohjeita

1. Ennen akun käyttöönottoa tutustu kaikkiin laturissa (1), akussa (2) ja akkukäyttöisessä tuotteessa (3) oleviin varoitusteksteihin.
2. Älä pura tai peukaloi imuria akkupakettia. Se voi johtaa tulipaloon, ylikuumentumiseen tai räjähdykseen.
3. Jos akun toiminta-aika lyhenee merkittävästi, lopeta akun käyttö. Seurauksena voi olla ylikuumentuminen, palovammoja tai jopa räjähdys.
4. Jos akunestettä pääsee silmiin, huuhtele puhtaalla vedellä ja hakeudu välittömästi lääkärin hoitoon. Akkuneste voi aiheuttaa näön menetyksen.
5. Älä oikosulje akkua.
 - (1) Älä koske akun napoihin millään sähköä johtavalla materiaalilla.
 - (2) Vältä akun oikosulkemista äläkä säilytä akkua yhdessä muiden metalliesineiden, kuten naulojen, kolikoiden ja niin edelleen kanssa.
 - (3) Älä aseta akkua alttiiksi vedelle tai sateelle.
6. Oikosulku voi aiheuttaa virtapiikin, ylikuumentumista, palovammoja tai laitteen rikkoutumisen.
7. Älä säilytä ja käytä työkalua ja akkupakettia paikassa, jossa lämpötila voi nousta 50 °C:een (122 °F) tai korkeammaksi.
8. Älä hävitä akkua polttamalla, vaikka se olisi pahoin vaurioitunut tai täysin loppuun kulunut. Avotuli voi aiheuttaa akun räjähtämisen.
9. Älä naulaa, leikkaa, purista, heitä tai pudota akkupakettia tai iske sitä kovia esineitä vasten. Tällaiset toimet voivat johtaa tulipaloon, ylikuumentumiseen tai räjähdykseen.
10. Älä käytä viallista akkua.
11. Sisältyviä litium-ioni-akkuja koskevat vaarallisten aineiden lainsäädännön vaatimukset. Esimerkiksi kolmansien osapuolten huolintaliikkeiden tulee kauppallisissa kuljetuksissa noudattaa pakkaamista ja merkintöjä koskevia erityisvaatimuksia. Lähetettävän tuotteen valmistelu edellyttää vaarallisten aineiden asiantuntijan neuvontaa. Huomioi myös mahdollisesti yksityiskohtaisemmat kansalliset määräykset Akun avoimet liittimet tulee suojata teipillä tai suojuksella ja pakkaaminen tulee tehdä niin, ettei akku voi liikkua pakkauksessa.
11. **Kun akkupaketti on hävitettävä, poista se laitteesta ja hävitä se turvallisesti. Hävitä akku paikallisten määräysten mukaisesti.**

12. Käytä akkuja vain Makitan ilmoittamien tuotteen kanssa. Akkujen asentaminen yhteen-sopimattomiin tuotteisiin voi aiheuttaa tulipalon, liiallisen ylikuumentumisen, räjähdyksen tai akkuneustevuotoja.
13. Jos laitetta ei käytetä pitkään aikaan, akku on poistettava laitteesta.
14. Akkupaketin lämpötila voi käytön aikana ja sen jälkeen nousta niin kuumaksi, että se voi aiheuttaa palovammoja tai lieviä palovammoja. Käsittele kuumia akkupaketteja huolellisesti.
15. Älä kosketa työkalun liitintä välittömästi käytön jälkeen, sillä se voi olla riittävän kuuma aiheuttamaan palovammoja.
16. Älä päästä lastuja, pölyä tai maata akkupaketin liittimiin, aukkoihin ja uriin. Se voi heikentää työkalun tai akkupaketin suorituskykyä tai johtaa niiden rikkoutumiseen.
17. Ellei työkalu tue käyttöä korkeajännitelinjojen lähellä, älä käytä akkupakettia korkeajännitelinjojen lähellä. Se voi johtaa työkalun tai akkupaketin toimintahäiriöön tai rikkoutumiseen.
18. Pidä akku poissa lasten ulottuvilta.

SÄILYTÄ NÄMÄ OHJEET.

⚠HUOMIO: Käytä vain alkuperäisiä Makita-akkuja. Muiden kuin aitojen Makita-akkujen, tai mahdollisesti muutettujen akkujen käyttö voi johtaa akun murtumiseen ja aiheuttaa tulipaloja, henkilö- ja omaisuusvahinkoja. Se mitätöi myös Makita-työkalun ja -laturin Makita-takuun.

Vihjeitä akun käyttöön pidentämiseksi

1. Lataa akku ennen kuin se purkautuu täysin. Lopeta aina työkalun käyttö ja lataa akku, jos huomaat työkalun tehon vähenevän.
2. Älä koskaan lataa uudestaan täysin ladattua akkua. Ylilataaminen lyhentää akun käyttöikää.
3. Lataa akku huoneen lämpötilassa välillä 10 °C - 40 °C. Anna kuuman akun jäähtyä ennen lataamista.
4. Irrota akkupaketti työkalusta tai laturista, kun sitä ei käytetä.
5. Lataa akkupaketti, jos et käytä sitä pitkään aikaan (yli kuusi kuukautta).

Langatonta yksikköä koskevat tärkeät turvallisuusohjeet

1. Älä pura tai peukaloi langatonta yksikköä.
2. Pidä langaton yksikkö lasten ulottumattomissa. Jos tuote niellään vahingossa, ota välittömästi yhteys lääkäriin.
3. Käytä langatonta yksikköä vain Makitan työkalujen kanssa.
4. Älä altista langatonta yksikköä sateelle tai kosteisiin olosuhteisiin.
5. Älä käytä langatonta yksikköä paikassa, jossa lämpötila voi nousta yli 50 °C.
6. Älä käytä langatonta yksikköä paikassa, jonka läheisyydessä on lääketieteellisiä instrumentteja, kuten sydämentahdistajia jne.

7. Älä käytä langatonta yksikköä paikassa, jonka läheisyydessä on automatisoituja laitteita. Toiminnallisena automatisoidut laitteet voivat aiheuttaa käyttöhäiriöitä tai virheitä.
8. Älä jätä langatonta yksikköä paikkaan, jonka lämpötila on suuri tai jossa voi muodostua staattista sähköä tai sähkökohinahäiriöitä.
9. Langaton yksikkö voi muodostaa käyttäjälle vaarattomia sähkömagneettisia (EMF).
10. Langaton yksikkö on tarkkuuslaite. Puro kolhimesta tai pudottamasta langatonta yksikköä.
11. Vältä koskettelemasta langatoman yksikön liittintä paljain käsin tai metallisilla materiaaleilla.
12. Irrota akku laitteesta aina, kun laitteeseen asennetaan langaton yksikkö.
13. Avattaessa uran kannta, vältä paikkoja missä pöly ja vesi voivat päästä uraan. Pidä aina uran aukko puhtaana.
14. Aseta langaton yksikkö aina oikeassa suunnassa.
15. Älä paina langattoman yksikön langatonta aktivointipainiketta liian kovaa ja/tai paina painiketta teräväreunaisilla kohteilla.
16. Sulje aina uran kansi käytön aikana.
17. Älä irrota langatonta yksikköä urasta laitteen virransyötön aikana. Muussa tapauksessa voi seurauksena olla langattoman yksikön käyttöhäiriöitä.
18. Älä irrota langattoman yksikön tarraa.
19. Älä kiinnitä mitään tarroja langattomaan yksikköön.
20. Älä jätä langatonta yksikköä paikkaan, missä on staattista sähköä tai sähkökohinahäiriöitä voi muodostua.
21. Älä jätä langatonta yksikköä äärimmäisiin lämpötiloihin, kuten auton istuimelle auringonpaisteeseen.
22. Älä jätä langatonta yksikköä paikkaan, missä on pölyä tai jauheita tai syövyttäviä kaasuja voi muodostua.
23. Äkillinen lämpötilan vaihtelu voi kostuttaa langattoman yksikön. Älä käytä langatonta yksikköä ennenkuin kaste on täysin kuivunut.
24. Puhdistamalla langaton yksikkö pyyhkimällä se kevyesti kuivalla liinalla. Älä käytä puhdistamiseen bensiiniä, tinneriä, johtavaa rasvaa tai vastaavaa.
25. Säilytä langatonta yksikköä mukana toimitustussa kotelossa tai ei staattisessa säiliössä.
26. Älä liitä muita, kuin Makitan langattomia yksiköitä laitteen uraan.
27. Älä käytä laitetta uran kannen ollessa vaurioitunut. Uraan pääsevä vesi, pöly ja lika voivat aiheuttaa käyttöhäiriöitä.
28. Älä vedä ja/tai väännä uran kannta enempää kuin on tarpeen. Aseta kansi takaisin jos se irtaantuu laitteesta.
29. Vaihda uran kansi sen ollessa kadonnut tai vaurioitunut.

SÄILYTÄ NÄMÄ OHJEET.

TOIMINTOJEN KUVAUS

⚠️HUOMIO: Varmista aina ennen säätöjä ja tarkastuksia, että työkalu on sammutettu ja akkupaketti irrotettu.

Akun asentaminen tai irrottaminen

⚠️HUOMIO: Sammuta työkalu aina ennen akun kiinnittämistä tai irrottamista.

⚠️HUOMIO: Pidä työkalusta ja akusta tiukasti kiinni, kun irrotat tai kiinnität akkua. Jos akkupaketti tai työkalu putoaa, ne voivat vaurioitua tai aiheuttaa tapaturman.

- **Kuva1:** 1. Punainen ilmaisim 2. Painike
3. Akkupaketti

Irrota akku painamalla akun etupuolella olevaa painiketta ja vetämällä akku ulos työkalusta.

Akkupaketti asetetaan paikalleen sovittamalla akkupaketin kieleke rungon uraan ja työntämällä se sitten paikalleen. Työnnä se pohjaan asti niin, että kuulet sen napsahtavan paikoilleen. Jos näet kuvan mukaisen punaisen ilmaisimen, lukitus ei ole täysin pitävä.

⚠️HUOMIO: Työnnä akkupaketti aina pohjaan asti, niin että punainen ilmaisim ei enää näy. Jos akkupaketti ei ole kunnolla paikallaan, se voi pudota työkalusta ja aiheuttaa vammoja joko sinulle tai sivullisille.

⚠️HUOMIO: Älä käytä voimaa akun asennuksessa. Jos akku ei liu'u paikalleen helposti, se on väärässä asennossa.

Akun suojus

Käytä työkalun mukana toimitettua akun suojusta akkupaketin suojaamiseen.

⚠️HUOMIO: Irrota akkupaketti aina työkalusta ennen akun suojuksen asentamista tai irrottamista.

⚠️HUOMIO: Älä koskaan pidä kiinni akun suojuksesta, kun kannat työkalua paikasta toiseen tai kannattelet käyttämätöntä työkalua.

HUOMAUTUS: Akun suojuksen voi asentaa vain käytettäessä akkumallia BL1830B / BL1840B / BL1850B / BL1860B.

Akun jäljellä olevan varaustason ilmaisim

Vain akkupaketeille ilmaisimella

► **Kuva2:** 1. Merkkivalot 2. Tarkistuspainike

Painamalla tarkistuspainiketta saat näkyviin akun jäljellä olevan varauksen. Merkkivalot palavat muutaman sekunnin ajan.

Merkkivalot			Akussa jäljellä olevan varaus
Palaa	Pois päältä	Viikkuu	
■	□	▣	75% - 100%
■ ■ ■ ■			
■ ■ ■ □			50% - 75%
■ ■ □ □			25% - 50%
■ □ □ □			0% - 25%
▣ □ □ □			Lataa akku.
■ ■ □ □	↑ ↓	■ ■	Akussa on saattanut olla toimintahäiriö.
□ □ ■ ■			

HUOMAA: Ilmoitettu varaustaso voi erota hieman todellisesta varaustasosta sen mukaan, millaisissa oloissa ja missä lämpötilassa laitetta käytetään.

HUOMAA: Ensimmäinen (vasemmanpuoleisin) merkkivalo viikkuu, kun akun suojausjärjestelmä on toiminnassa.

Työkalun/akun suojausjärjestelmä

Työkalu on varustettu työkalu/akun suojausjärjestelmällä. Tämä järjestelmä pidentää työkalun ja akun käyttöikää katkaisemalla automaattisesti moottorin virran. Työkalu pysähtyy automaattisesti kesken käytön, jos työkalussa tai akussa ilmenee jokin seuraavista tilanteista:

Ylikuormitussuoja

Kun laitetta tai akkua käytetään tavalla, joka saa sen kuluttamaan epätavallisen suuren määrän virtaa, laite pysähtyy automaattisesti ilman mitään merkkivaloa tai ilmaisinta. Katkaise tässä tilanteessa laitteesta virta ja lopeta ylikuormitustilan aiheuttanut käyttö. Käynnistä sitten laite uudelleen kytkemällä siihen virta.

Ylikuumenemissuoja

Kun laite tai akku ylikuumentuu, laite pysähtyy automaattisesti. Anna silloin laitteen tai akun jäähtyä, ennen kuin kytket laitteen uudelleen virran.

Ylipurkautumissuoja

Kun akun varaus on riittämätön, työkalu pysähtyy automaattisesti. Irrota silloin akku työkalusta ja lataa se.

Kytkimen käyttäminen

⚠HUOMIO: Vältä työkalun käynnistämistä sen ollessa työkappaleen päällä tai työpenkillä. Muutoin seurauksena voi olla henkilövahinkoja tai vaurioita.

Työkalun kytkeminen päälle ja pois päältä

Käynnistä työkalu painamalla pääkahvan päällä olevaa virran/nopeudenvälinnan painiketta. Työkalu käynnistyy suurimmalla kierrosnopeudella.

Pysäytä tai lopeta käyttö painamalla pysäytyspainiketta.

- **Kuva3:** 1. Virran/nopeudenvälinnan painike
2. Pysäytyspainike 3. Pääkahva

Työkalun nopeuden muuttaminen

Kierrosnopeuden voi vaihtaa käyttötarkoitukseen ja työkuormitukseen sopivaksi valitsemalla jonkin kolmesta nopeudesta, jotka ovat korkea, keskitaso ja alhainen. Nopeutta voi vaihtaa painamalla virran/nopeudenvälinnan painiketta.

- **Kuva4:** 1. Virran/nopeudenvälinnan painike

Nopeusasetustaulukko

Nopeus	Kierroksia per minuutti
3 (Korkea)	12 000 min ⁻¹ (/min)
2 (keskitaso)	8 000 min ⁻¹ (/min)
1 (Alhainen)	4 000 min ⁻¹ (/min)

HUOMAUTUS: Jos työkalua käytetään jatkuvasti pitkään matalilla nopeuksilla, moottori ylikuormittuu aiheuttaen työkaluun toimintahäiriön.

HUOMAUTUS: Valitse hitaatyölle sopiva nopeus, joka ei aiheuta ylikuumentumista tai työkappaleen sulamisen vaaraa. Hiominen suurella kierrosnopeudella voi kuumentaa työkappaletta niin, että se alkaa sulaa.

Sähköinen toiminta

Työkalu on varustettu sähköisellä toiminnolla helpoikäyttöisyyttä ajatellen.

Vakionopeuden säätö

Tämä toiminto pitää kierrosnopeuden vakiotasolla, mikä auttaa viimeistellyn lopputuloksen saavuttamisessa.

KOKOONPANO

⚠HUOMIO: Varmista aina ennen mitään työkalulle tehtäviä toimenpiteitä, että se on sammutettu ja akku irrotettu.

Hiomapaperin asennus ja poisto

⚠HUOMIO: Varmista aina ennen käyttöä, että hiomapaperiarikki on asennettu pitävästi. Muutoin paperin kiinnitys saattaa löystyä, jolloin se voi irrota helposti tai luistaa, mikä johtaa epätasaiseen hiomajälkeen.

Työkalun mukana toimitetun Hiomapaperin käyttö

1. Pidä joko hioma-alustan etu- tai takapäässä olevaa puristinvipua painettuna ja vapauta puristin kiinnitysasennosta liu'uttamalla puristinvipu pois pidikkeestä.
2. Vedä puristinvipu niin pitkälle ulos kuin se menee niin, että puristimen ja hiomarungon sivun väliin avautuu rako, johon hiomapaperin pään voi ujuttaa.
► **Kuva5:** 1. Puristinvipu 2. Pidike 3. Puristin 4. Hiomarunko 5. Hioma-alusta
3. Aseta hiomapaperiarikki hioma-alustan päälle niin, että paperissa olevat pölyn imuaukot asettuvat hioma-alustan vastaavien reikien kohdalle.
► **Kuva6:** 1. Hiomapaperi 2. Hioma-alusta 3. Pölyn imuaukot
4. Aseta hiomapaperin toinen pää puristimen ja hiomarungon väliseen rakoön.
5. Aseta puristinvipu takaisin lukkoasentoon niin, että hiomapaperin pää puristuu kiinni pitävästi.
6. Vapauta toisen pää puristin ja asemoi hiomapaperin toinen pää valmiiksi kiinni puristamista varten.
7. Pidä hiomapaperi sopivan kireänä ja aseta sitten toisen pää puristinvipu lukkoasentoon.
► **Kuva7:** 1. Hiomapaperi 2. Puristin 3. Hiomarunko 4. Puristinvipu 5. Pidike
8. Hiomapaperi irrotetaan avaamalla molempien päiden puristimet ja poistamalla hiomapaperi hioma-alustalta.

Tarvikehiomapaperin käyttö

1. Leikkaa hiomapaperi sopivan kokoiseksi.
► **Kuva8:** 1. Hiomapaperi 2. Hioma-alusta
2. Pidä joko hioma-alustan etu- tai takapäässä olevaa puristinvipua painettuna ja vapauta puristin kiinnitysasennosta liu'uttamalla puristinvipu pois pidikkeestä.
3. Vedä puristinvipu niin pitkälle ulos kuin se menee niin, että puristimen ja hiomarungon sivun väliin avautuu rako, johon hiomapaperin pään voi ujuttaa.
4. Aseta hiomapaperin toinen pää puristimen ja hiomarungon väliseen rakoön.
5. Sijoita hiomapaperi hioma-alustan päälle.
6. Aseta puristinvipu takaisin lukkoasentoon niin, että hiomapaperin pää kiinnittyy pitävästi.
7. Vapauta toisen pää puristin ja asemoi hiomapaperin toinen pää valmiiksi kiinni puristamista varten.
8. Pidä hiomapaperi sopivan kireänä ja aseta sitten toisen pää puristinvipu lukkoasentoon.
► **Kuva9:** 1. Hiomapaperi 2. Puristin 3. Hiomarunko 4. Puristinvipu 5. Pidike
9. Peitä hiomapaperi lävistinlevyllä asemoimalla levy niin, että sen reunassa olevat sijoituspidikkeet asettuvat hioma-alustan reunoja ja hiomarunkoa vasten.
► **Kuva10:** 1. Hiomapaperi 2. Lävistinlevy 3. Sijoituspidikkeet 4. Hioma-alusta 5. Hiomarunko
10. Leikkaa pölyn imuaukot hiomapaperiin painamalla lävistinlevy sitä vasten.
11. Hiomapaperi irrotetaan avaamalla molempien päiden puristimet ja poistamalla hiomapaperi hioma-alustalta.

Tarranauhakiinnitteen hiomapaperin käyttö

Valinnainen lisävaruste

HUOMIO: Varmista, että tarranauhakiinnitteen hioma-alusta on asennettu oikein ja pitävästi. Löysä kiinnitys aiheuttaa epätasaista käyntiä ja liiallista tärinää, mikä voi johtaa hallinnan menetykseen.

HUOMIO: Varmista, että tarranauhakiinnitteeset hioma-alusta ja hiomapaperi on kohdistettu oikein ja kiinnitetty pitävästi.

HUOMIO: Käytä vain tarranauhakiinnitteistä hiomapaperia. Älä koskaan käytä paineherkkiä hiomapapereita.

1. Löysää ja irrota neljä ruuvia, joilla hioma-alusta on kiinnitetty hiomarunkoon.
2. Vaihda vakiohioma-alusta valinnaiseen tarranauhakiinnitteeseen hioma-alustaan.
3. Kiinnitä tarranauhakiinnitteen hioma-alusta kiristämällä ruuvit tiukasti.
► **Kuva11:** 1. Ruuvit 2. Hiomarunko 3. Hioma-alusta
4. Poista tarranauhakiinnitteisestä hioma-alustasta kaikki lika ja vierasaineet.
5. Aseta valinnainen tarranauhakiinnitteen hiomapaperiarki hioma-alustan päälle niin, että paperissa olevat pölyn imuaukot asettuvat hioma-alustan vastavien reikien kohdalle.
► **Kuva12:** 1. Hiontapaperi 2. Tyyny 3. Pölyn imuaukot
6. Hiomapaperi irrotetaan vetämällä se irti reunasta alkaen.

HUOMIO: Hiomarungon O-renkas saattaa irrota, kun vaihdat hioma-alustan. Aseta tällöin O-renkas takaisin rungon keskellä olevaan pyöreään uraan ennen kuin asennat valinnaisen hioma-alustan.

► **Kuva13:** 1. O-renkas 2. Hiomarunko 3. Pyöreä ura

Pölypussin asentaminen ja irrottaminen

Valinnainen lisävaruste

Kiinnitä pölypussi moottorin kotelon takana olevaan kartiomaiseen pölynokkaan. Työnnä pussin pölyliitin niin syvälle pölynokkaan kuin se menee, jotta se ei irtoa käytön aikana.

► **Kuva14:** 1. Pölynokka 2. Pölyliitin 3. Pölypussi

HUOMAA: Varmista, että kiinnität pölypussin niin, että sen vetoketjun vedin tulee alaspäin.

HUOMAA: Jotta pölynkeruu toimisi optimaalisesti, tyhjennä pölypussi, kun se on täytynyt suunnilleen puolilleen. Irrota pölypussi työkalusta ja vedä suljin auki. Tyhjennä pölypussi sitten ravistelemalla tai taputtamalla sitä kevyesti.

Pölylokeron asentaminen ja irrottaminen

Valinnainen lisävaruste

Kiinnitä pölylokeru moottorin kotelon takana olevaan kartiomaiseen pölynokkaan. Työnnä pölysuutin niin syvälle pölynokkaan kuin se menee, jotta se ei irtoa käytön aikana.

► **Kuva15:** 1. Pölynokka 2. Pölysuutin 3. Pölylokeru

HUOMAA: Jotta pölynkeruu toimisi optimaalisesti, tyhjennä pölylokeru, kun se on täytynyt suunnilleen puolilleen.

1. Irrota pölylokeru työkalusta.
2. Irrota pölysuutin lokerosta pitämällä lokeron molemmin puolin olevia lukitusosalpoja painettuina.
3. Tyhjennä pölylokeru ravistelemalla tai taputtamalla sitä kevyesti.

Suodattimen vaihto

HUOMAUTUS: Varmista, että pölylokerossa, suodattimessa ja pölysuuttimessa olevat logot kohdistuvat oikein, kun kokoat osia uudelleen.

1. Irrota pölylokeru työkalusta.
2. Irrota pölysuutin lokerosta pitämällä lokeron molemmin puolin olevia lukitusosalpoja painettuina.
► **Kuva16:** 1. Pölysuutin 2. Pölylokeru 3. Lukitusosalpa
3. Ota kiinni aukollisesta pahvista ja vedä sitä alaspäin niin, että aukollisen pahvin yläreuna irtoaa pölylokeron yläreunan kiinnityskielekkeestä.
4. Vedä aukollisen pahvin ulompi alareuna irti alareunan kiinnityskielekkeestä ja irrota suodatin pölylokerosta.
► **Kuva17:** 1. Suodatin 2. Aukollinen pahvi 3. Yläreunan kiinnityskieleke 4. Alareunan kiinnityskieleke 5. Pölylokeru
5. Vaihda suodatin asettamalla aukollisen pahvin alareuna alareunan kiinnityskielekkeeseen ja painamalla sitten yläreunaa sisäänpäin niin, että se napsauttaa kiinni yläreunan kiinnityskielekkeeseen.
► **Kuva18:** 1. Suodatin 2. Aukollinen pahvi 3. Yläreunan kiinnityskieleke 4. Alareunan kiinnityskieleke 5. Pölylokeru

6. Napsauta pölysuutin paikalleen pitämällä pölylokeron molemmin puolin olevia lukitusosalpoja painettuina.
► **Kuva19:** 1. Pölysuutin 2. Pölylokeru 3. Lukitusosalpa

Etukahvan irrottaminen ja asentaminen

HUOMIO: Varmista etukahvan asennuksen jälkeen sitä vetämällä, että se on kiinnitetty pitävästi.

HUOMAUTUS: Varmista, että työnnät etukahvan täysin hahlopään pohjaan ja pidät sen pohjassa, kun käännät etukahvaa. Muutoin työkalu voi vaurioitua.

Etukahva on irrotettava, koska sen irrottaminen helpottaa työskentelyä pienissä, ahtaissa ja vaikeasti päästävässä tiloissa.

Irrottaminen

Paina etukahvaa voimalla moottorin koteloa kohti, pidä kahva painettuna ja käännä sitä sitten 90 astetta vasemmalle tai oikealle. Vedä se sitten irti työkalusta.

Asennus

Aseta etukahvan pää moottorin kotelossa olevaan hahloon kohdistamalla kahvan päässä olevat ääriiviivat hahlon vastaaviin. Paina etukahvaa voimalla moottorin koteloa kohti, pidä kahva painettuna ja käännä sitä sitten 90 astetta niin, että sen otepinta tulee ylöspäin.

- **Kuva20:** 1. Etukahva 2. Hahlo 3. Moottorin kotelo 4. Otepinta

Pölynimuriin kytkeminen

Valinnainen lisävaruste

Jos haluat suorittaa hiomatyön siististi, voit kytkeä työkaluusi Makita-pölynimurin. Voit käyttää kytkemiseen joko valinnaista 28 mm:n letkua tai sovitinkappaleen 22 ja imurin mukana toimitetun letkun yhdistelmää.

- **Kuva21:** 1. Pölynokka 2. Sovitinkappale 3. Letku 4. Pölynimuri

TYÖSKENTELY

Hiomistoiminta

⚠HUOMIO: Älä koskaan käytä työkalua ilman hiomapaperia. Tyyny saattaa vahingoittaa pahasti.

⚠HUOMIO: Älä koskaan pakota työkalua. Liiallinen paine voi laskea hiontatehoa, vahingoittaa hiomapaperia ja/tai lyhentää työkalun käyttöikää.

Tilavissa tiloissa hiominen

1. Pidä työkalusta kiinni tukevasti molemmin käsin, toisella kädellä kahvasta ja toisella kädellä etukahvasta.
 2. Käynnistä työkalu ja odota, että se saavuttaa täyden nopeuden.
 3. Aseta työkalu varovasti työkappaleen pinnalle.
 4. Pidä koko hioma-alusta samassa tasossa työkalupaleen pinnan kanssa ja paina työkalua hieman.
- **Kuva22**

Ahtaissa tiloissa hiominen

1. Irrota etukahva työkalusta.
 2. Pidä työkalusta kiinni yhdellä kädellä.
 3. Käynnistä työkalu ja odota, että se saavuttaa täyden nopeuden.
 4. Aseta työkalu varovasti työkappaleen pinnalle.
 5. Pidä koko hioma-alusta samassa tasossa työkalupaleen pinnan kanssa ja paina työkalua hieman.
 6. Liikuta työkalua kaarevia pintoja, seinää ja muita ahtaita pintoja pitkin hiomalla tarvittaessa hioma-alustan etu- ja reunaosilla.
- **Kuva23**

LANGATON AKTIVOINTITOIMINTO

Vain malli DBO381

HUOMAUTUS: Langaton toiminto on käytettävissä vain, kun yhteensopiva pölynimuri on asennettuna.

Mitä langattomalla aktivointitoiminnolla voi tehdä

Langaton aktivointitoiminto mahdollistaa puhtaan ja miellyttävän käyttötoiminnan. Liittämällä tuettu pölynimuri laitteeseen, voit käyttää pölynimuria automaattisesti yhdessä laitteen kytkintöiminnon kanssa.

- **Kuva24**

Langattoman aktivointitoiminnon käyttämiseksi valmis-tele seuraavat kohdat:

- Langaton yksikkö (lisävaruste)
- Pölynimuri, joka tulee langatonta aktivointitoimintoa

Langattoman aktivointitoiminnon asetuksen kuvaus on seuraavana. Katso jokaisen osion yksityiskohtaiset ohjeet.

1. Langattoman yksikön asennus
2. Laitteen rekisteröinti pölynimurille
3. Langattoman aktivointitoiminnon aloitus

Langattoman yksikön asennus

Lisävaruste

⚠HUOMIO: Aseta laite tasaisen ja vakaan pinnan päälle langattoman yksikön asentamiseksi.

HUOMAUTUS: Puhdista laitteesta pöly ja lika ennen langattoman yksikön asentamista. Pöly ja lika voivat aiheuttaa käyttöhäiriöitä päästessään langattoman yksikön uraan.

HUOMAUTUS: Staattisuudesta aiheutuvien käyttöhäiriöiden estämiseksi kosketa staattisesti purkautuvaa materiaalia, kuten laitteen metalliosia ennen langattoman yksikön nostamista.

HUOMAUTUS: Varmista aina langattoman yksikön asennuksen aikana, että langaton yksikkö on liitetty oikeassa suunnassa ja kansi on suljettu täysin kiinni.

1. Avaa laitteen kansi kuvan osoittamalla tavalla.
► **Kuva25:** 1. Kansi
2. Liitä langaton yksikkö uraan ja tämän jälkeen sulje kansi.
Langattoman yksikön liittämisen aikana kohdista kielekkeet uran loviosioihin.
► **Kuva26:** 1. Langaton yksikkö 2. Kieleke 3. Kansi 4. Loviosio

Avaa kansia hitaasti langattoman yksikön irrottamisen aikana. Kannen takana olevat koukut nostavat langattoman yksikön ylös samalla kun nostat kannen ylös.

► **Kuva27:** 1. Langaton yksikkö 2. Koukku 3. Kansi

Säilytä langatonta yksikköä mukana toimitetussa kotelossa tai ei staattisessa säiliössä sen irrottamisen jälkeen.

HUOMAUTUS: Käytä aina kannen takana olevia koukkuja langattoman yksikön irrottamisen aikana. Jos koukut eivät tartu langattomaan yksiköön, sulje kansi täysin kiinni ja avaa se hitaasti uudelleen.

Laitteen rekisteröinti pölynimurille

HUOMAA: Makita pölynimuri tukee langatonta aktiivitoimintoa, joka vaaditaan laiterekisteröintiä varten.

HUOMAA: Viimeistele langattoman yksikön asennus laitteeseen ennen laiterekisteröinnin aloittamista.

HUOMAA: Älä paina liipaisinkytkintä tai aseta pölynimurin virtakytkintä päälle laiterekisteröinnin aikana.

HUOMAA: Katso lisätietoja myös pölynimurin käyttöohjeesta.

Jos haluat aktivoida pölynimurin yhdessä laitteen kytkintöiminnon kanssa, viimeistele laiterekisteröinti ensin.

1. Asenna akut pölynimuriin ja laitteeseen.

2. Aseta pölynimurin valmiustilan kytkin asentoon "AUTO".

► **Kuva28:** 1. Valmiustilan kytkin

3. Paina pölynimurin langatonta aktiivointipainiketta noin 3 sekunnin ajan, kunnes langattoman aktiivoinnin merkkivalo vilkkuu vihreänä. Ja tämän jälkeen paina laitteen langatonta aktiivointipainiketta samalla tavalla.

► **Kuva29:** 1. Langaton aktiivointipainike
2. Langattoman aktiivoinnin merkkivalo

Jos pölynimuri ja laite kytketään oikein, langattoman aktiivoinnin merkkivalo palaa vihreänä 2 sekunnin ajan ja vilkkuu tämän jälkeen sinisenä.

HUOMAA: Langattoman aktiivoinnin merkkivalo lopettaa vilkkumisen vihreänä 20 sekunnin kuluttua. Paina laitteen langatonta aktiivointipainiketta samalla kun imurin langattoman aktiivoinnin merkkivalo vilkkuu. Jos langattoman aktiivoinnin merkkivalo ei vilku vihreänä, paina langatonta aktiivointipainiketta lyhyesti ja pidä sitä painettuna alas.

HUOMAA: Suoritettaessa kaksi tai useampaa laiterekisteröintiä yhdelle pölynimurille, lopeta laiterekisteröinti yksi kerrallaan.

Langattoman aktiivitoiminnon aloitus

HUOMAA: Viimeistele laiterekisteröinti pölynimurille ennen langatonta aktiivointia.

HUOMAA: Katso lisätietoja myös pölynimurin käyttöohjeesta.

Kun laite on rekisteröity pölynimurille, pölynimuri toimii automaattisesti yhdessä laitteen kytkintöiminnon kanssa.

1. Langattoman yksikön asennus laitteeseen.

2. Kiinnitä pölynimurin letku laitteeseen.

► **Kuva30**

3. Aseta pölynimurin valmiustilan kytkin asentoon "AUTO".

► **Kuva31:** 1. Valmiustilan kytkin

4. Paina laitteen langatonta aktiivointipainiketta lyhyesti. Langattoman aktiivoinnin merkkivalo vilkkuu sinisenä.

► **Kuva32:** 1. Langaton aktiivointipainike

2. Langattoman aktiivoinnin merkkivalo

5. Paina laitteen liipaisinkytkintä. Tarkasta, onko pölynimuri käynnissä samalla kun liipaisinkytkintä pidetään painettuna.

Lopeta pölynimurin langaton aktiivointi painamalla laitteen langatonta aktiivointipainiketta.

HUOMAA: Laitteen langattoman aktiivoinnin merkkivalo lopettaa vilkkumisen sinisenä, jos mitään toimintoa ei ole suoritettu 2 tunnin aikana. Tässä tapauksessa aseta pölynimurin valmiustilan kytkin asentoon "AUTO" ja paina uudelleen laitteen langatonta aktiivointipainiketta.

HUOMAA: Pölynimuri käynnistyy/sammuu viiveellä. Käytössä on aikaviive kun pölynimuri tunnistaa laitteen kytkintöiminnon.








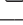

HUOMAA: Langattoman yksikön lähetysetäisyys voi vaihdella riippuen sijainnista ja ympäristön olosuhteista.

HUOMAA: Jos kaksi tai useampia laitteita rekisteröidään yhdelle pölynimurille, pölynimuri voi aloittaa toiminnan vaikka ei olisi painanut liipaisinkytkintä, koska toinen käyttäjä käyttää langatonta aktiivitoimintoa.

Langattoman aktiivoinnin merkkivalon tilan kuvaus

► Kuva33: 1. Langattoman aktiivoinnin merkkivalo

Langattoman aktiivoinnin merkkivalo osoittaa langattoman aktiivitoiminnan tilan. Katso merkkivalon tilaa koskeva tarkoitus alapuolella olevasta taulukosta.

Tila	Langattoman aktiivoinnin merkkivalo				Kuvaus
	Väri	 Päällä	 Viilkuu	Kesto	
Valmiustila	Sininen		<input checked="" type="checkbox"/>	2 tuntia	Pölynimurin langaton aktiivointi on käytettävissä. Merkkivalo sammuu automaattisesti jos mitään toimintoa ei ole suoritettu 2 tunnin aikana.
			<input type="checkbox"/>	Kun laite on käynnissä.	Pölynimurin langaton aktiivointi on käytettävissä ja laite on käynnissä.
Laiterekisteröinti	Vihreä		<input checked="" type="checkbox"/>	20 sekuntia	Valmis laiterekisteröintiä varten. Odottaa rekisteröintiä pölynimurilta.
			<input type="checkbox"/>	2 sekuntia	Laiterekisteröinti on valmis. Langattoman aktiivoinnin merkkivalo vilkkuu sinisenä.
Laiterekisteröinnin peruutus	Punainen		<input checked="" type="checkbox"/>	20 sekuntia	Valmis laiterekisteröinnin peruutukseen. Odottaa peruutusta pölynimurilta.
			<input type="checkbox"/>	2 sekuntia	Laiterekisteröinnin peruutus on valmis. Langattoman aktiivoinnin merkkivalo vilkkuu sinisenä.
Muut	Punainen		<input type="checkbox"/>	3 sekuntia	Langattomalle yksikölle syötetään virtaa ja langaton aktiivitoiminto käynnistyy.
	Pois päältä	-	-	-	Pölynimurin langaton aktiivointi on pysäytetty.

Laiterekisteröinnin peruutus pölynimurille

Suorita seuraavat toimenpiteet peruuttaessasi laiterekisteröinnin pölynimurille.

1. Asenna akut pölynimuriin ja laitteeseen.
2. Aseta pölynimurin valmiustilan kytkin asentoon "AUTO".

► Kuva34: 1. Valmiustilan kytkin

3. Paina pölynimurin langatonta aktiivointipainiketta 6 sekunnin ajan. Langattoman aktiivoinnin merkkivalo vilkkuu vihreänä ja tämän jälkeen punaisena. Tämän jälkeen paina laitteen langatonta aktiivointipainiketta samalla tavalla.

► Kuva35: 1. Langaton aktiivointipainike 2. Langattoman aktiivoinnin merkkivalo

Jos peruutus suoritetaan oikein, langattoman aktiivoinnin merkkivalo palaa punaisena 2 sekunnin ajan ja vilkkuu tämän jälkeen sinisenä.

HUOMAA: Langattoman aktiivoinnin merkkivalo lopettaa vilkkumisen punaisena 20 sekunnin kuluttua. Paina laitteen langatonta aktiivointipainiketta samalla kun imurin langattoman aktiivoinnin merkkivalo vilkkuu. Jos langattoman aktiivoinnin merkkivalo ei vilku punaisena, paina langatonta aktiivointipainiketta lyhyesti ja pidä sitä painettuna alas.

Langattoman aktiivointiannon vianetsintä

Tarkista laite ensin itse, ennen kuin viet sen korjattavaksi. Jos ongelmaan ei löydy ratkaisua käyttöoppaasta, älä kuitenkaan yritä purkaa työkalua osiin. Vie ota sen sijaan yhteyttä Makita-huoltoliikkeeseen. Käytä korjaamiseen aina alkuperäisiä Makita-varaosia.

Epänormaali tila	Todennäköinen syy (toimintahäiriö)	Korjaus
Langattoman aktiivoinnin merkivalo ei pala/vilkkuu.	Langatonta yksikköä ei ole asennettu laitteeseen. Langaton yksikkö on asennettu virheellisesti laitteeseen.	Asenna langaton yksikkö oikein.
	Langattoman yksikön liitäntä ja/tai ura on likainen.	Pyyhi langattoman yksikön liitäntä varovaisesti pölystä ja liasta ja puhdista ura.
	Laitteen langatonta aktiivointipainiketta ei ole painettu.	Paina laitteen langatonta aktiivointipainiketta lyhyesti.
	Pölynimurin valmiustilan kytkintä ei ole asetettu asentoon "AUTO".	Aseta pölynimurin valmiustilan kytkin asentoon "AUTO".
	Ei virransyöttöä	Syötä virtaa laitteelle ja pölynimurille.
Laiterekisteröintiä/laiterekisteröinnin peruutusta ei voi viimeistellä oikein.	Langatonta yksikköä ei ole asennettu laitteeseen. Langaton yksikkö on asennettu virheellisesti laitteeseen.	Asenna langaton yksikkö oikein.
	Langattoman yksikön liitäntä ja/tai ura on likainen.	Pyyhi langattoman yksikön liitäntä varovaisesti pölystä ja liasta ja puhdista ura.
	Pölynimurin valmiustilan kytkintä ei ole asetettu asentoon "AUTO".	Aseta pölynimurin valmiustilan kytkin asentoon "AUTO".
	Ei virransyöttöä	Syötä virtaa laitteelle ja pölynimurille.
	Virheellinen toiminta	Paina langatonta aktiivointipainiketta lyhyesti ja suorita laiterekisteröinti/peruutus uudelleen.
	Laite ja pölynimuri ovat kaukana toisistaan (lähetyalueen ulkopuolella).	Siirrä laite ja pölynimuri lähemmäksi toisiaan. Maksimilähetysmäisyys on noin 10 m, mutta se voi kuitenkin vaihdella olosuhteista riippuen.
	Ennen laiterekisteröinnin/peruutuksen viimeistelyä; - laitteen liipaisinkytkintä on painettu tai; - pölynimurin virtakytkin on kytketty päälle.	Paina langatonta aktiivointipainiketta lyhyesti ja suorita laiterekisteröinti/peruutus uudelleen.
	Laiterekisteröintiä laitteelle tai pölynimurille ei ole viimeistely.	Suorita laiterekisteröinti sekä laitteelle että pölynimurille samanaikaisesti.
	Muiden laitteiden aiheuttama radiohäiriö voi muodostaa erittäin voimakkaita radioaaltoja.	Pidä laite ja pölynimuri kaukana laitteista, kuten Wi-Fi-laitteet ja mikroaaltouunit.
	Pölynimuri ei toimi yhdessä laitteen kytkintöinnin kanssa.	Langatonta yksikköä ei ole asennettu laitteeseen. Langaton yksikkö on asennettu virheellisesti laitteeseen.
Langattoman yksikön liitäntä ja/tai ura on likainen.		Pyyhi langattoman yksikön liitäntä varovaisesti pölystä ja liasta ja puhdista ura.
Laitteen langatonta aktiivointipainiketta ei ole painettu.		Paina langatonta aktiivointipainiketta lyhyesti ja varmista, että langattoman aktiivoinnin merkivalo vilkkuu sinisenä.
Pölynimurin valmiustilan kytkintä ei ole asetettu asentoon "AUTO".		Aseta pölynimurin valmiustilan kytkin asentoon "AUTO".
Yli 10 laitetta on rekisteröity pölynimurille.		Suorita laiterekisteröinti uudelleen. Jos yli 10 laitetta on rekisteröity pölynimurille, aikaisemmin rekisteröity laite peruutetaan automaattisesti.
Pölynimuri poistaa kaikki laiterekisteröinnit.		Suorita laiterekisteröinti uudelleen.
Ei virransyöttöä		Syötä virtaa laitteelle ja pölynimurille.
Laite ja pölynimuri ovat kaukana toisistaan (lähetyalueen ulkopuolella).		Siirrä laite ja pölynimuri lähemmäksi toisiaan. Maksimilähetysmäisyys on noin 10 m, mutta se voi kuitenkin vaihdella olosuhteista riippuen.
Muiden laitteiden aiheuttama radiohäiriö voi muodostaa erittäin voimakkaita radioaaltoja.		Pidä laite ja pölynimuri kaukana laitteista, kuten Wi-Fi-laitteet ja mikroaaltouunit.
Pölynimuri on käynnissä samalla kun liipaisinkytkintä ei paineta.	Muut käyttäjät käyttävät pölynimurin langatonta aktiivointia heidän laitteillaan.	Katkaise muiden laitteiden langaton aktiivointipainike tai peruuta muiden laitteiden laiterekisteröinti.

KUNNOSSAPITO

⚠HUOMIO: Varmista aina ennen tarkastusta tai huoltoa, että työkalu on sammutettu ja akku irrotettu.

HUOMAUTUS: Älä koskaan käytä bensiiniä, ohenteita, alkoholia tai tms. aineita. Muutoin pinta voi halkeilla tai sen värit ja muoto voivat muuttua. Muutoin laitteeseen voi tulla värjäytymiä, muodon vääristymiä tai halkeamia.

Tuotteen TURVALLISUUDEN ja LUOTETTAVUUDEN takaamiseksi korjaukset, muut huoltotyöt ja säädöt on teetettävä Makitan valtuutetussa huoltopisteessä Makitan varaosia käyttäen.

Käytön jälkeen

Pyyni työkalu kuivalla tai kevyesti saippuaveteen kostutetulla liinalla säännöllisin väliajoin.

LISÄVARUSTEET

⚠HUOMIO: Seuraavia lisävarusteita tai laitteita suositellaan käytettäväksi tässä ohjeessa kuvatun Makita-työkalun kanssa. Muiden lisävarusteiden tai laitteiden käyttö voi aiheuttaa henkilövahinkoja. Käytä lisävarusteita ja -laitteita vain niiden käyttötarkoituksen mukaisesti.

Jos tarvitset apua tai yksityiskohtaisempia tietoja seuraavista lisävarusteista, ota yhteys paikalliseen Makitan huoltoon.

- Hiontapaperi (etukäteen lävistetyillä aukoilla)
- Koukku-ja-silmukka tyyppinen hiomapaperi
- Lävistinlevy
- Tukityyny (koukku-ja-silmukka tyyppiselle hiontapaperille)
- Tukityyny (Tavanomaisen tyyppiselle hiontapaperille)
- Pölypussi
- Pölylokero
- Suodatin
- Letku
- Langaton yksikkö (Vain malli DBO381)
- Akun suojus
- Aito Makitan akku ja laturi

HUOMAA: Jotkin luettelossa mainitut varusteet voivat sisältyä työkalun toimitukseen vakiovarusteina. Ne voivat vaihdella maittain.

SPECIFIKATIONER

Model:	DBO380	DBO381
Slibetallerkenens størrelse	92 mm x 185 mm	
Slibepapirets størrelse	93 mm x 228 mm	
Omdrejninger per minut	Høj	12.000 min ⁻¹
	Medium	8.000 min ⁻¹
	Lav	4.000 min ⁻¹
Samlet længde (med frontgreb)	336 mm	
Mærkespænding	18 V DC	
Nettovægt	1,9 - 2,2 kg	

- På grund af vores kontinuerlige forsknings- og udviklingsprogrammer kan hosstående specifikationer blive ændret uden varsel.
- Specifikationer og akku kan variere fra land til land.
- Vægten kan være anderledes afhængigt af tilbehøret, inklusive akkuen. Den letteste og tungeste kombination i henhold til EPTA-procedure 01/2014 er vist i tabellen.

Anvendelig akku og oplader

Akku	BL1815N / BL1820B / BL1830B / BL1840B / BL1850B / BL1860B
Oplader	DC18RC / DC18RD / DC18RE / DC18SD / DC18SE / DC18SF / DC18SH

- Nogle af de akkuer og opladere, der er angivet ovenfor, er muligvis ikke tilgængelige, afhængigt af hvilket område du bor i.

⚠ ADVARSEL: Brug kun de akkuer og opladere, der er angivet ovenfor. Brug af andre akkuer og opladere kan medføre personskaade og/eller brand.

Tilsligtet anvendelse

Denne maskine er beregnet til slibning af større flader af træ, plast- og metalmaterialer samt malede overflader.

Støj

Det typiske A-vægtede støjniveau bestemt i overensstemmelse med EN62841-2-4:

Model DBO380

Lydtryksniveau (L_{pA}): 72 dB (A)

Usikkerhed (K): 3 dB (A)

Model DBO381

Lydtryksniveau (L_{pA}): 72 dB (A)

Usikkerhed (K): 3 dB (A)

Støjniveauet under arbejdet kan overskride 80 dB (A).

BEMÆRK: De(n) angivne støjemissionsværdi(er) er målt i overensstemmelse med en standardtestmetode og kan anvendes til at sammenligne en maskine med en anden.

BEMÆRK: De(n) angivne støjemissionsværdi(er) kan også anvendes i en præliminær eksponeringsvurdering.

⚠ ADVARSEL: Bær høreværn.

⚠ ADVARSEL: Støjemissionen under den faktiske anvendelse af maskinen kan være forskellig fra de(n) angivne værdi(er), afhængigt af den måde hvorpå maskinen anvendes, især den type arbejdsemne der behandles.

⚠ ADVARSEL: Sørg for at identificere de sikkerhedsforskrifter til beskyttelse af operatøren, som er baseret på en vurdering af eksponering under de faktiske brugsforhold (med hensyntagen til alle dele i brugscyklussen, f.eks. de gange, hvor maskinen er slukket, og når den kører i tomgang i tilgift til afbrydertiden).

Vibration

Vibrationens totalværdi (tre-aksial vektorsum) bestemt i overensstemmelse med EN62841-2-4:

Model DBO380

Arbejdstilstand: slibning af metalplader

Vibrationsemission (a_h): 3,6 m/s²

Usikkerhed (K): 1,5 m/s²

Model DBO381

Arbejdstilstand: slibning af metalplader

Vibrationsemission (a_h): 3,6 m/s²

Usikkerhed (K): 1,5 m/s²

BEMÆRK: De(n) angivne totalværdi(er) for vibration er målt i overensstemmelse med en standardtestmetode og kan anvendes til at sammenligne en maskine med en anden.

BEMÆRK: De(n) angivne totalværdi(er) for vibration kan også anvendes i en præliminær eksponeringsvurdering.

⚠ ADVARSEL: Vibrationsemissionen under den faktiske anvendelse af maskinen kan være forskellig fra de(n) angivne værdi(er), afhængigt af den måde hvorpå maskinen anvendes, især den type arbejdsemne der behandles.

⚠ ADVARSEL: Sørg for at identificere de sikkerhedsforskrifter til beskyttelse af operatøren, som er baseret på en vurdering af eksponering under de faktiske brugsforhold (med hensyntagen til alle dele i brugs cyklussen, f.eks. de gange, hvor maskinen er slukket, og når den kører i tomgang i tilgift til afbrydertiden).

EF-overensstemmelseserklæring

Kun for lande i Europa

EF-overensstemmelseserklæringen er inkluderet som Bilag A i denne brugsanvisning.

SIKKERHEDSADVARSLER

Almindelige sikkerhedsregler for el-værktøj

⚠ ADVARSEL: Læs alle de sikkerhedsadvarsler, instruktioner, illustrationer og specifikationer, der følger med denne maskine. Forsømmelse af at overholde alle nedenstående instruktioner kan medføre elektrisk stød, brand og/eller alvorlig personskade.

Gem alle advarsler og instruktioner til fremtidig reference.

Ordet "el-værktøj" i advarslerne henviser til det netforsynede (netledning) el-værktøj eller batteriforsynede (akku) el-værktøj.

Sikkerhedsadvarsler for sliber

1. Anvend altid sikkerhedsbriller eller beskyttelsesbriller. Almindelige briller og solbriller er IKKE sikkerhedsbriller.
2. Hold godt fast i maskinen.
3. Maskinen må ikke køre uden opsyn. Maskinen må kun være i gang, når den holdes i hånden.
4. Denne maskine er ikke vandtæt. Anvend derfor aldrig vand på emnets overflade.
5. Hold arbejdsområdet tilstrækkeligt udluftet, når De udfører slibearbejde.
6. En del materialer indeholder kemikalier, som kan være giftige. Sørg for at forhindre inhalering af støv og kontakt med huden. Følg materialefabrikantens sikkerhedsforskrifter.

7. Anvendelse af denne maskine til slibning af visse produkter, maling og træ kan udsætte brugeren for støv, som indeholder farlige substanser. Brug passende åndedrætsbeskyttelse.
8. Forvis Dem om, inden maskinen tages i brug, at der ikke er nogen revner eller brud i slibetallerkenen. Revner eller brud kan medføre personskade.
9. Sørg for solid fodfæste, og hold altid balancen med maskinen. Sørg for, at der ikke befinder sig nogen under dig, når du arbejder på højtliggende steder.

GEM DISSE FORSKRIFTER.

⚠ ADVARSEL: LAD IKKE bekvemmelighed eller kendskab til produktet (opnået gennem gentagen brug) forhindre, at sikkerhedsforskrifterne for produktet nøje overholdes. MISBRUG eller forsømmelse af at følge de i denne brugsvejledning givne sikkerhedsforskrifter kan medføre alvorlig personskade.

Vigtige sikkerhedsinstruktioner for akkuen

1. Læs alle instruktioner og advarselmærkater på (1) akku-opladeren, (2) akkuen og (3) produktet, som anvender akku.
2. Adskil eller ændr ikke akkuen. Det kan muligvis resultere i en brand, overdreven varme eller eksplosion.
3. Hold straks op med anvendelsen, hvis brugstiden er blevet stærkt afkortet. Fortsat anvendelse kan resultere i risiko for overophedning, forbrændinger og endog eksplosion.
4. Hvis De har fået elektrolytvæske i øjnene, skal De straks skylle den ud med rent vand og derefter øjeblikkeligt søge lægehjælp. I modsat fald kan De miste synet.
5. Vær påpasselig med ikke at komme til at kortslutte akkuen:
 - (1) Rør ikke ved terminalerne med noget ledende materiale.
 - (2) Undgå at opbevare akkuen i en beholder sammen med andre genstande af metal, for eksempel søm, mønter og lignende.
 - (3) Udsæt ikke akkuen for vand eller regn. Kortslutning af akkuen kan forårsage en kraftig øgning af strømmen, overophedning, mulige forbrændinger og endog værktøjstop.
6. Opbevar og brug ikke maskinen og akkuen på steder, hvor temperaturen muligvis kan nå eller overstige 50 °C.
7. Lad være med at brænde akkuen, selv ikke i tilfælde, hvor den har lidt alvorlig skade eller er fuldstændig udtjent. Akkuen kan eksplodere, hvis man forsøger at brænde den.
8. Slå ikke søm i, skær ikke i, knus, kast, tab ikke akkuen og stød ikke akkuen mod en hård genstand. Sådan adfærd kan muligvis resultere i en brand, overdreven varme eller eksplosion.
9. Anvend ikke en beskadiget akku.

10. De indbyggede lithium-ion-batterier er underlagt lovkrav vedrørende farligt gods. Ved kommerciel transport, f.eks. af tredjeparts transportselskaber, skal særlige krav til forpakning og mærkning overholdes. Ved forberedelse af udstyret til forsendelse skal du kontakte en ekspert i farligt gods. Overhold også eventuel mere detaljeret national lovgivning. Tape eller tildæk åbne kontakter, og pak batteriet på en måde, så det ikke kan flytte sig rundt i pakningen.
11. Når akkuen bortskaftes, skal du fjerne den fra maskinen og bortskaft den på et sikkert sted. Følg de lokale love vedrørende bortskaftelsen af batterier.
12. Brug kun batterierne med de produkter, som Makita specificerer. Hvis batterierne installeres i ikke-kompatible produkter, kan det medføre brand, kraftig varme, eksplosion eller udsivning af elektrolyt.
13. Hvis maskinen ikke skal bruges i længere tid ad gangen, skal du fjerne batteriet fra maskinen.
14. Akkuen kan muligvis under og efter brug være varm, hvilket kan forårsage forbrændinger eller lavtemperaturforbrændinger. Vær påpasselig med håndtering af varme akkuer.
15. Rør ikke terminalen på maskinen straks efter brug, da den bliver varm nok til at forårsage forbrændinger.
16. Sørg for at spåner, støv eller jord ikke sætter sig fast inde i terminalerne, hullerne og rillerne på akkuen. Det kan muligvis medføre dårlig ydelse eller nedbrud af maskinen eller akkuen.
17. Medmindre maskinen understøtter brugen i nærheden af elektriske højspændingsledninger, skal du ikke anvende akkuen i nærheden af elektriske højspændingsledninger. Det kan muligvis medføre funktionsfejl på eller nedbrud af maskinen eller akkuen.
18. Opbevar batteriet utilgængeligt for børn.

GEM DENNE BRUGSANVISNING.

⚠ FORSIGTIG: Brug kun originale batterier fra Makita. Brug af uoriginale Makita-batterier, eller batterier som er blevet ændret, kan muligvis medføre brud på batteriet, hvilket kan forårsage brand, personskade eller beskadigelse. Det ugyldiggør også Makita-garantien for Makita-maskinen og opladeren.

Tips til opnåelse af maksimal akku-levetid

1. Oplad akkuen, inden den er helt afladet. Stop altid værktøjet, og oplad akkuen, hvis De bemærker, at værktøjeffekten er aftagende.
2. Genoplad aldrig en fuldt opladet akku. Overopladning vil afkorte akkuens levetid.
3. Oplad akkuen ved stuetemperatur ved 10 °C - 40 °C. Lad altid en varm akku få tid til at køle af, inden den oplades.
4. Når du ikke anvender akkuen, skal du fjerne den fra maskinen eller opladeren.
5. Oplad akkuen, hvis De ikke skal bruge den i længere tid (mere end seks måneder).

Vigtige sikkerhedsinstruktioner for trådløse enhed

1. Undlad at adskille eller ændre den trådløse enhed.
2. Opbevar den trådløse enhed utilgængeligt for små børn. Søg øjeblikkeligt læge, hvis den sluges ved et uheld.
3. Brug kun den trådløse enhed sammen med maskiner fra Makita.
4. Udsæt ikke den trådløse enhed for regn eller våde omgivelser.
5. Brug ikke den trådløse enhed på steder, hvor temperaturen overskrider 50 °C.
6. Brug ikke den trådløse enhed i nærheden af medicinske instrumenter som f.eks. pacemakere.
7. Brug ikke den trådløse enhed i nærheden af automatiske enheder. Hvis den bruges, kan automatiske enheder udvikle fejlfunktion eller fejl.
8. Undlad at betjene den trådløse enhed på steder med høje temperaturer eller steder, hvor der kan genereres statisk elektricitet eller elektrisk støj.
9. Den trådløse enhed kan frembringe elektromagnetiske felter (EMF), men de er ikke skadelige for brugeren.
10. Den trådløse enhed er et præcisionsinstrument. Undgå at tabe eller slå på den trådløse enhed.
11. Undgå at berøre terminalen på den trådløse enhed med de bare hænder eller metalliske materialer.
12. Tag altid batteriet ud af produktet, når den trådløse enhed monteres på det.
13. Når låget på åbningen åbnes, skal du undgå steder, hvor der kan komme støv eller vand ind i åbningen. Hold altid indgangen til åbningen ren.
14. Indsæt altid den trådløse enhed i den rigtige retning.
15. Undgå at trykke for hårdt på den trådløse aktiveringsknap på den trådløse enhed og/eller at trykke på knappen med en genstand med en skarp kant.
16. Luk altid låget på åbningen under brug.
17. Undlad at fjerne den trådløse enhed fra åbningen, når der er sluttet strøm til maskinen. Hvis du gør dette, kan det medføre funktionsfejl i den trådløse enhed.
18. Undlad at fjerne etiketten på den trådløse enhed.
19. Undlad at sætte nogen etiket på den trådløse enhed.
20. Lad ikke den trådløse enhed ligge på steder, hvor der kan genereres statisk elektricitet eller elektrisk støj.
21. Lad ikke den trådløse enhed ligge på steder, der er udsat for høj varme, for eksempel en bil, der står i solen.
22. Lad ikke den trådløse enhed ligge på et sted med støv eller pulver eller på et sted, hvor der kan udvikles ætsende gas.

23. En pludselig temperaturændring kan forårsage dug på den trådløse enhed. Brug ikke den trådløse enhed, før duggen er tørret helt bort.
24. Ved rengøring af den trådløse enhed skal den aftørres forsigtigt med en tør, blød klud. Brug ikke rensbenzin, fortynder, ledende fedtstof eller lignende.
25. Ved opbevaring af den trådløse enhed skal den opbevares i den medfølgende æske eller i en beholder, der er fri for statisk elektricitet.
26. Indsæt ikke andre enheder end den trådløse enhed fra Makita i åbningen på maskinen.
27. Undlad at bruge maskinen, hvis låget til åbningen er beskadiget. Vand, støv og snavs, der kommer ind i åbningen, kan forårsage fejlfunktion.
28. Undlad at trække og/eller vride låget til åbningen mere end nødvendigt. Sæt låget på igen, hvis det falder af maskinen.
29. Udskift låget til åbningen, hvis det bliver væk eller ødelægges.

GEM DISSE FORSKRIFTER.

FUNKTIONSBESKRIVELSE

⚠️ FORSIGTIG: Sørg altid for at maskinen er slukket, og at akkuen er taget ud, før der udføres justering eller kontrol af funktioner på maskinen.

Isætning eller fjernelse af akkuen

⚠️ FORSIGTIG: Sluk altid for værktøjet, før De monterer eller fjerner akkuen.

⚠️ FORSIGTIG: Hold værktøjet og akkuen fast ved montering eller fjernelse af akkuen. Hvis De ikke holder værktøjet og akkuen fast, kan de glide ud af hænderne på Dem og forårsage beskadigelse af værktøjet og akkuen eller personskaade.

► Fig.1: 1. Rød indikator 2. Knap 3. Akku

Akkuen fjernes ved, at De trækker den ud af værktøjet, idet De skyder knappen på forsiden af akkuen i stilling.

For at montere akkuen skal du justere tungen på akkuen med fillen i huset og skubbe den på plads. Indsæt den hele vejen, indtil den låses på plads med et lille klik. Hvis du kan se den røde indikator, som vist i figuren, er den ikke helt låst.

⚠️ FORSIGTIG: Monter altid akkuen helt, indtil den røde indikator ikke længere er synlig. Hvis dette ikke gøres, kan den falde ud af værktøjet ved et uheld, hvorved De selv eller personer i nærheden kan komme til skade.

⚠️ FORSIGTIG: Brug ikke magt ved montering af akkuen. Hvis akkuen ikke glider på plads uden problemer, betyder det, at den ikke sættes i på korrekt vis.

Batteribeskytter

Brug en batteribeskytter, der følger med maskinen, til at beskytte og afskærme akkuen.

⚠️ FORSIGTIG: Afmonter altid akkuen fra maskinen, før du monterer og afmonterer en batteribeskytter.

⚠️ FORSIGTIG: Hold aldrig en batteribeskytter i hånden, når maskinen bæres fra et område til et andet, eller når maskinen holdes, mens den ikke er i brug.

BEMÆRKNING: En batteribeskytter kan kun monteres i blandt batterimodellerne BL1830B / BL1840B / BL1850B / BL1860B.

Indikation af den resterende batteriladning

Kun til akkuer med indikatoren

► Fig.2: 1. Indikatorlamper 2. Kontrolknap

Tryk på kontrolknappen på akkuen for at få vist den resterende batteriladning. Indikatorlampen lyser i nogle sekunder.

Indikatorlamper			Resterende ladning
Tændt	Slukket	Blinker	
■ ■ ■ ■			75% til 100%
■ ■ ■ □			50% til 75%
■ ■ □ □			25% til 50%
■ □ □ □			0% til 25%
▬ □ □ □			Genoplad batteriet.
■ ■ □ □		↑ ↓	Der er muligvis fejl i batteriet.

BEMÆRK: Afhængigt af brugsforholdene og den omgivende temperatur kan indikationen afvige en smule fra den faktiske ladning.

BEMÆRK: Den første indikatorlampe (længst mod venstre) vil blinke, når batteribeskyttelsessystemet aktiveres.

Beskyttelsessystem til værktøj/batteri

Maskinen er udstyret med et beskyttelsessystem til maskinen/batteriet. Dette system afbryder automatisk strømmen til motoren for at forlænge maskinens og batteriets levetid. Maskinen stopper automatisk under brugen, hvis maskinen eller batteriet udsættes for et af følgende forhold:

Overbelastningsbeskyttelse

Hvis maskinen eller batteriet bruges på en måde, der får den/det til at trække en unormalt høj strøm, stopper maskinen automatisk uden indikation. Sluk i så fald for maskinen, og ophør med den anvendelse, som medførte, at maskinen blev overbelastet. Tænd derefter for maskinen for at starte den igen.

Beskyttelse mod overophedning

Hvis maskinen eller batteriet bliver overophedet, stopper maskinen automatisk. Lad i så fald maskinen og batteriet køle ned, før der tændes for maskinen igen.

Beskyttelse mod overafledning

Når batteriladningen er utilstrækkelig, stopper maskinen automatisk. Tag i så fald akkuen ud af maskinen, og oplad akkuen.

Afbryderbetjening

⚠️FORSIGTIG: Undgå at tænde maskinen, mens den er placeret på arbejdsemnet eller på arbejdsbænken. Det kan forårsage personskade eller skade.

Sådan tændes og slukkes maskinen

Tryk på tænd/sluk-/hastighedsvælgerknappen øverst på hovedhåndtaget for at starte maskinen. Maskinen begynder at køre med sin højeste omløbs hastighed. Tryk på stopknappen for at afbryde eller stoppe anvendelsen.

- **Fig.3:** 1. Tænd/sluk-/hastighedsvælgerknap
2. Stopknop 3. Hovedhåndtag

Ændring af maskinhastigheden

Omløbs hastigheden kan ændres i tre tilstande, dvs. høj, medium og lav afhængigt af anvendelsen og arbejdsbelastningen.

Tryk på tænd/sluk-/hastighedsvælgerknappen for at skifte hastighedstilstand.

- **Fig.4:** 1. Tænd/sluk-/hastighedsvælgerknop

Tablet med hastighedsindstillinger

Hastighedsniveau	Omløb pr. minut
3 (Høj)	12.000 min ⁻¹
2 (Medium)	8.000 min ⁻¹
1 (Lav)	4.000 min ⁻¹

BEMÆRKNING: Hvis maskinen anvendes kontinuerligt ved lav hastighed i længere tid ad gangen, bliver motoren overbelastet med funktionsforstyrrelser til følge.

BEMÆRKNING: Vælg et egnet hastighedsområde til slibeanvendelserne for at undgå overophedning og smeltning af arbejdsemnet. Slibning ved høj omløbs hastighed kan opvarme arbejdsemnet og smelte det på berøringspunktet.

Elektronisk funktion

Maskinen er udstyret med den elektroniske funktion for nem anvendelse.

Konstant hastighedskontrol

Denne funktion har en konstant omløbs hastighed for at opnå fin finish.

SAMLING

⚠️FORSIGTIG: Sørg altid for at maskinen er slukket, og at akkuen er taget ud, før der udføres noget arbejde på maskinen.

Montering og afmontering af slibepapir

⚠️FORSIGTIG: Sørg altid for, at et ark slibepapir er monteret sikkert før anvendelse. Ellers kan papiret løsne sig, let afmonteres og udsættes for glidning, hvilket resulterer i ujævn slibning.

Brug af slibepapir, der følger med maskinen

1. Skub og hold klemmehåndtaget nede på enten for- eller bagsiden af slibetallerkenen, og tryk den væk fra stopperen, så klemmen frigøres fra sin fastgjorte position.
2. Træk klemmehåndtaget så langt ud som muligt for at skabe et mellemrum mellem klemmen og sidevæggen på slibebasen, hvor den ene ende af slibepapiret kan indsættes.

- **Fig.5:** 1. Klemmehåndtag 2. Stopper 3. Klemme 4. Slibebase 5. Slibetallerken

3. Anbring et ark slibepapir over slibetallerkenen, og juster støvsugningshullerne i papiret med dem på slibetallerkenen.

- **Fig.6:** 1. Slibepapir 2. Slibetallerken 3. Støvsugningshul

4. Skub den ene ende af slibepapiret ind i rummet mellem klemmen og slibebasen.
 5. Sæt klemmehåndtaget tilbage i en låst position, så enden af slibepapiret er sikkert fastspændt.
 6. Frigør klemmen i den anden ende, og hold den anden ende af slibepapiret klar til at blive fastspændt.
 7. Oprethold en korrekt spænding på slibepapiret, og sæt derefter klemmehåndtaget i den anden ende i en låst position.
- **Fig.7:** 1. Slibepapir 2. Klemme 3. Slibebase 4. Klemmehåndtag 5. Stopper

8. For at afmontere slibepapiret løsnes klemmerne i begge ender, og papiret tages af slibetallerkenen.

Brug af slibepapir til rådighed på markedet

1. Skær et ark slibepapir til en passende størrelse.
- **Fig.8:** 1. Slibepapir 2. Slibetallerken

2. Skub og hold klemmehåndtaget nede på enten for- eller bagsiden af slibetallerkenen, og tryk den væk fra stopperen, så klemmen frigøres fra sin fastgjorte position.
3. Træk klemmehåndtaget så langt ud som muligt for at skabe et mellemrum mellem klemmen og sidevæggen på slibebasen, hvor den ene ende af slibepapiret kan indsættes.
4. Skub den ene ende af slibepapiret ind i rummet mellem klemmen og slibebasen.

5. Flyt slibepapiret, så det er fint overlejret på slibetallerkenens overflade.
 6. Sæt klemmehåndtaget tilbage i en låst position for at fastspænde enden af slibepapiret forsvarligt.
 7. Frigør klemmen i den anden ende, og hold den anden ende af slibepapiret klar til at blive fastspændt.
 8. Opbehold en korrekt spænding på slibepapiret, og sæt derefter klemmehåndtaget i den anden ende i en låst position.
- **Fig.9:** 1. Slibepapir 2. Klemme 3. Slibebase 4. Klemmehåndtag 5. Stopper
9. Tildæk slibepapiret med hulpladen med dens placeringsstopper, der støder op til hjørnet, og som passer godt ind i to af sidekanterne på slibetallerkenen og slibebasen.
- **Fig.10:** 1. Slibepapir 2. Hulplade 3. Placeringsstopper 4. Slibetallerken 5. Slibebase
10. Skub hulpladen over slibepapiret for at lave støvsugningshuller.
 11. For at afmontere slibepapiret løsnes klemmerne i begge ender, og papiret tages af slibetallerkenen.

Brug af slibepapir med krog og løkke

Ekstraudstyr

⚠FORSIGTIG: Sørg for at montere en slibetallerken med krog og løkke korrekt og sikkert. Et løst monteret tilbehør vil komme ud af balance og forårsage en overdreven vibration, hvilket medfører tab af kontrol.

⚠FORSIGTIG: Sørg for, at en slibetallerken med krog og løkke og slibepapir er justeret og sikkert fastgjort.

⚠FORSIGTIG: Brug kun slibepapir med krog og løkke. Brug aldrig trykfølsomt slibepapir.

1. Løsn og afmonter de fire skruer, der fastgør slibetallerkenen til slibebasen.
 2. Udskift den standardudstyrede slibetallerken med en valgfri slibetallerken med krog og løkke.
 3. Spænd skruerne godt fast igen for at fastgøre slibetallerkenen med krog og løkke.
- **Fig.11:** 1. Skruer 2. Slibebase 3. Slibetallerken
4. Fjern alt snavs og fremmedlegemer fra slibetallerkenen med krog og løkke.
 5. Fastgør et ark valgfrit slibepapir med krog og løkke på slibetallerkenen, og juster støvsugningshullerne i papiret med dem på tallerkenen.
- **Fig.12:** 1. Slibepapir 2. Slibetallerken 3. Støvsugningshuller
6. Hvis du vil afmontere slibepapiret, skal du trække det af fra kanten.

⚠FORSIGTIG: O-ringen kan komme ud af slibebasen, mens slibetallerkenen udskiftes. Sæt O-ringen tilbage i de cirkulære riller omkring af midten af basen, før den valgfrie slibetallerken monteres.

- **Fig.13:** 1. O-ring 2. Slibebase 3. Cirkulære riller

Montering og afmontering af støvpose

Ekstraudstyr

Fastgør støvposen over den tilspidsede støvåbning i motorhusets bagende. Sæt posens støvindløb på støvåbningen så langt som den kan komme for at undgå, at den falder af under anvendelse.

- **Fig.14:** 1. Støvåbning 2. Støvindløb 3. Støvpose

BEMÆRK: Sørg for at fastgøre støvposen med lynlåsskyderen vendt nedad.

BEMÆRK: For at sikre optimal støvopsamling skal støvposen tømmes, når den fyldes op til ca. halvdelen af sin kapacitet.

Afmonter støvposen fra maskinen, og træk fastgørelsesanordningen ud. Ryst eller tryk derefter forsigtigt på støvposen for at tømme den.

Montering og afmontering af støvkasse

Ekstraudstyr

Fastgør støvkassen over den tilspidsede støvåbning i motorhusets bagende. Sæt støvdysen på støvåbningen så langt som den kan komme for at undgå, at den falder af under anvendelse.

- **Fig.15:** 1. Støvåbning 2. Støvdyse 3. Støvkasse

BEMÆRK: For at sikre optimal støvopsamling skal støvkassen tømmes, når den fyldes op til ca. halvdelen af sin kapacitet.

1. Afmonter støvkassen fra maskinen.
2. Afmonter støvdysen fra kassen, mens du trykker på og holder låseknapperne nede på begge sider af kassen.
3. Ryst eller tryk forsigtigt på støvkassen for at tømme den.

Udskiftning af filter

BEMÆRKNING: Vær opmærksom på at justere alle logoerne på støvkassen, filteret og støvdysen i en ensartet retning, når komponenterne monteres igen.

1. Afmonter støvkassen fra maskinen.
 2. Afmonter støvdysen fra kassen, mens du trykker på og holder låseknapperne nede på begge sider af kassen.
- **Fig.16:** 1. Støvdyse 2. Støvkasse 3. Låseknapp
3. Hold i den inderste øverste kant af papåbningen, og træk den nedad for at frigøre den ydre øverste kant af papåbningen fra den øverste tilslutningstap på støvkassens læbe.
 4. Tag filteret ud af støvkassen, mens du trækker den ydre nederste kant af papåbningen fri af den nederste tilslutningstap.
- **Fig.17:** 1. Filter 2. Papåbning 3. Øverste tilslutningstap 4. Nederste tilslutningstap 5. Støvkasse

5. Udskift et filter ved at gribe den nederste kant af papåbningen i den nederste tilslutningstap og skubbe den øverste kant indad, indtil den klipser ind i den øverste tilslutningstap.

► **Fig.18:** 1. Filter 2. Papåbning 3. Øverste tilslutningstap 4. Nederste tilslutningstap 5. Støvkasse

6. Sæt støvdysen på plads, mens du trykker på og holder låseknapperne på begge sider af støvkassen.

► **Fig.19:** 1. Støvdyse 2. Støvkasse 3. Låseknop

Afmontering og montering af frontgreb

⚠FORSIGTIG: Efter genmontering trækkes i frontgrebet for at kontrollere, om det sidder godt fast.

BEMÆRKNING: Sørg for at skubbe frontgrebet helt ind i åbningsenden, og hold det placeret, hvor det er, mens du drejer frontgrebet. I modsat fald kan maskinen blive beskadiget.

Ved at afmontere det aftagelige frontgreb kan slibning i trange, begrænsede og svært tilgængelige områder udføres effektivt.

Afmontering

Skub og hold frontgrebet fast mod motorhuset, og drej det 90 grader til enten venstre eller højre. Træk det derefter væk fra maskinen.

Montering

Indsæt enden af frontgrebet i åbningen på motorhuset, og juster konturerne på grebsenden med konturerne på åbningen.

Skub og hold frontgrebet fast mod huset, og drej det 90 grader med den gribende overflade opad.

► **Fig.20:** 1. Frontgreb 2. Åbning 3. Motorhus 4. Gribende overflade

Tilslutning med støvsuger

Ekstraudstyr

Når du ønsker at udføre ren slibning, skal du tilkoble en Makita-støvsuger til maskinen. Brug enten en valgfri slange på 28 mm eller en kombination af frontmanchetter 22 og slange, der følger med støvsugeren, for at etablere en forbindelse.

► **Fig.21:** 1. Støvåbning 2. Frontmanchetter 3. Slange 4. Støvsuger

ANVENDELSE

Slibning

⚠FORSIGTIG: Brug aldrig maskinen uden slibepapir. Du kan beskadige slibetallerkenen alvorligt.

⚠FORSIGTIG: Brug aldrig magt på maskinen. For stort tryk kan mindske slibeeffektiviteten, beskadige slibepapiret og/eller reducere maskinens levetid.

Slibning af åbne områder

1. Hold maskinen godt fast med begge hænder, den ene hånd på håndtaget og den anden på frontgrebet.

2. Tænd for maskinen, og vent, til den når fuld hastighed.

3. Anbring forsigtigt maskinen på arbejdsemnets overflade.

4. Hold hele slibetallerkenen vandret og jævn med overfladen, og tryk let på maskinen.

► **Fig.22**

Slibning af afgrænsede områder

1. Afmonter frontgrebet fra maskinen.

2. Hold håndtaget med den ene hånd.

3. Tænd for maskinen, og vent, til den når fuld hastighed.

4. Anbring forsigtigt maskinen på arbejdsemnets overflade.

5. Hold hele slibetallerkenen vandret og jævn med overfladen, og tryk let på maskinen.

6. Flyt maskinen langs kurver, vægflader og i andre afgrænsede områder for at slibe med slibetallerkenens forreste kanter og hjørnekanter efter behov.

► **Fig.23**

TRÅDLØS AKTIVERINGSFUNKTION

Kun for model DBO381

BEMÆRKNING: Den trådløse funktion er kun tilgængelig, når den understøttede støvsuger monteres.

Hvad kan du foretage dig med den trådløse aktiveringsfunktion

Den trådløse aktiveringsfunktion muliggør ren og behagelig anvendelse. Hvis der slutes en understøttet støvsuger til maskinen, kan du lade støvsugeren køre automatisk, når kontakten på maskinen betjenes.

► **Fig.24**

Hvis du vil bruge den trådløse aktiveringsfunktion, skal du forberede følgende genstande:

- En trådløs enhed (ekstraudstyr)
- En støvsuger, der understøtter den trådløse aktiveringsfunktion

Følgende er et overblik over indstilling af den trådløse aktiveringsfunktion. Se de enkelte afsnit for detaljerede procedurer.

1. Montering af en trådløs enhed
2. Maskinregistrering til støvsugeren
3. Start af den trådløse aktiveringsfunktion

Montering af en trådløs enhed

Ekstraudstyr

⚠ FORSIGTIG: Placer maskinen på en flad og stabil overflade, når den trådløse enhed monteres.

BEMÆRKNING: Fjern støv og snavs fra maskinen, før den trådløse enhed monteres. Støv eller snavs kan forårsage funktionsfejl, hvis det kommer ind i åbningen til den trådløse enhed.

BEMÆRKNING: For at forhindre fejlfunktion forårsaget af statisk elektricitet skal du berøre et statisk afledende materiale som f.eks. en metaldele på maskinen, før du tager den trådløse enhed op.

BEMÆRKNING: Ved montering af den trådløse enhed skal du altid sikre dig, at den trådløse enhed er indsat i den korrekte retning, og at låget er lukket helt.

1. Åbn låget på maskinen som vist på figuren.

► **Fig.25:** 1. Låg

2. Indsæt den trådløse enhed i åbningen, og luk derefter låget.

Ved indsættelse af den trådløse enhed skal fremspringene justeres i forhold til de forsænkede dele på åbningen.

► **Fig.26:** 1. Trådløs enhed 2. Fremspring 3. Låg 4. Forsænket del

Ved fjernelse af den trådløse enhed åbnes låget langsomt. Krogene bag på låget løfter den trådløse enhed, når du trækker låget op.

► **Fig.27:** 1. Trådløs enhed 2. Krog 3. Låg

Når den trådløse enhed er fjernet, skal den opbevares i den medfølgende æske eller i en beholder, der er fri for statisk elektricitet.

BEMÆRKNING: Brug altid krogene bag på låget ved fjernelse af den trådløse enhed. Hvis krogene ikke griber fat i den trådløse enhed, skal du lukke låget helt og åbne det langsomt igen.

Maskinregistrering til støvsugeren

BEMÆRK: Du skal bruge en Makita-støvsuger, der understøtter den trådløse aktiveringsfunktion, til maskinregistreringen.

BEMÆRK: Afslut monteringen af den trådløse enhed på maskinen, før maskinregistreringen startes.

BEMÆRK: Under maskinregistreringen må du ikke trykke på afbryderknappen eller tænde for hovedafbryderen på støvsugeren.

BEMÆRK: Se også i brugsanvisningen til støvsugeren.

Hvis du vil aktivere støvsugeren, når kontakten på maskinen betjenes, skal du først afslutte maskinregistreringen.

1. Sæt batterierne i støvsugeren og maskinen.

2. Sæt standby-kontakten på støvsugeren til "AUTO".

► **Fig.28:** 1. Standby-kontakt

3. Tryk på den trådløse aktiveringsknop på støvsugeren i 3 sekunder, indtil den trådløse aktiveringslampe blinker grønt. Tryk derefter på den trådløse aktiveringsknop på maskinen på samme måde.

► **Fig.29:** 1. Trådløs aktiveringsknop 2. Trådløs aktiveringslampe

Hvis støvsugeren og maskinen sammenkædes korrekt, lyser de trådløse aktiveringslamper grønt i 2 sekunder og begynder at blinke blåt.

BEMÆRK: De trådløse aktiveringslamper holder op med at blinke grønt efter 20 sekunder. Tryk på den trådløse aktiveringsknop på maskinen, når den trådløse aktiveringslampe på støvsugeren blinker. Hvis den trådløse aktiveringslampe ikke blinker grønt, skal du trykke kortvarigt på den trådløse aktiveringsknop og holde den nede igen.

BEMÆRK: Når der udføres to eller flere maskinregistreringer for én støvsuger, skal maskinregistreringerne udføres en for en.

Start af den trådløse aktiveringsfunktion

BEMÆRK: Afslut maskinregistreringen for støvsugeren før den trådløse aktivering.

BEMÆRK: Se også i brugsanvisningen til støvsugeren.

Når en maskine er registreret til støvsugeren, kører støvsugeren automatisk, når kontakten på maskinen betjenes.

1. Monter den trådløse enhed på maskinen.

2. Slut støvsugerens slange til maskinen.

► **Fig.30**

3. Sæt standby-kontakten på støvsugeren til "AUTO".

► **Fig.31:** 1. Standby-kontakt

4. Tryk kortvarigt på den trådløse aktiveringsknop på maskinen. Den trådløse aktiveringslampe blinker blåt.

► **Fig.32:** 1. Trådløs aktiveringsknop 2. Trådløs aktiveringslampe

5. Tryk på maskinens afbryderknop. Kontroller, om støvsugeren kører, når der trykkes på afbryderknappen.

Tryk på den trådløse aktiveringsknop på maskinen for at stoppe den trådløse aktivering af støvsugeren.

BEMÆRK: Den trådløse aktiveringslampe på maskinen holder op med at blinke blåt, hvis der ikke sker nogen betjening i 2 timer. Indstil i så fald standby-kontakten på støvsugeren til "AUTO", og tryk på den trådløse aktiveringsknop på maskinen igen.

BEMÆRK: Støvsugeren starter/stopper med en forsinkelse. Der er en forsinkelse, når støvsugeren registrerer en betjening af kontakten på maskinen.










BEMÆRK: Den trådløse enheds transmissionsafstand kan variere afhængigt af placeringen og de omgivende forhold.

BEMÆRK: Når to eller flere maskiner er registreret til én støvsuger, begynder støvsugeren muligvis at køre, selvom du ikke trykker på afbryderknappen, fordi en anden bruger anvender den trådløse aktiveringsfunktion.

Beskrivelse af den trådløse aktiveringslampe status

► Fig.33: 1. Trådløs aktiveringslampe

Den trådløse aktiveringslampe viser status for den trådløse aktiveringsfunktion. Se i tabellen nedenfor vedrørende betydningen af lampens status.

Status	Trådløs aktiveringslampe				Beskrivelse
	Farve	 Tændt	 Blinker	Varighed	
Standby	Blå			2 timer	Den trådløse aktivering af støvsugeren er tilgængelig. Lampen slukkes automatisk, hvis der ikke sker nogen betjening i 2 timer.
				Når maskinen kører.	Den trådløse aktivering af støvsugeren er tilgængelig, og maskinen kører.
Maskinregistrering	Grøn			20 sekunder	Klar til maskinregistrering. Venter på registrering fra støvsugeren.
				2 sekunder	Maskinregistreringen er fuldført. Den trådløse aktiveringslampe begynder at blinke blå.
Annullerer maskinregistrering	Rød			20 sekunder	Klar til annullering af maskinregistrering. Venter på annullering fra støvsugeren.
				2 sekunder	Annulleringen af maskinregistreringen er fuldført. Den trådløse aktiveringslampe begynder at blinke blå.
Andre	Rød			3 sekunder	Der er strøm til den trådløse enhed, og den trådløse aktiveringsfunktion starter.
	Slukket		-	-	Den trådløse aktivering af støvsugeren er stoppet.

annullerer maskinregistrering for støvsugeren

Benyt følgende fremgangsmåde ved annullering af maskinregistreringen for støvsugeren.

1. Sæt batterierne i støvsugeren og maskinen.
2. Sæt standby-kontakten på støvsugeren til "AUTO".

► Fig.34: 1. Standby-kontakt

3. Tryk på den trådløse aktiveringsknap på støvsugeren i 6 sekunder. Den trådløse aktiveringslampe blinker grønt og bliver derefter rød. Tryk derefter på den trådløse aktiveringsknap på maskinen på samme måde.

► Fig.35: 1. Trådløs aktiveringsknap 2. Trådløs aktiveringslampe

Hvis annulleringen gennemføres korrekt, lyser de trådløse aktiveringslamper rødt i 2 sekunder og begynder at blinke blå.

BEMÆRK: De trådløse aktiveringslamper holder op med at blinke rødt efter 20 sekunder. Tryk på den trådløse aktiveringsknap på maskinen, når den trådløse aktiveringslampe på støvsugeren blinker. Hvis den trådløse aktiveringslampe ikke blinker rødt, skal du trykke kortvarigt på den trådløse aktiveringsknap og holde den nede igen.

Fejlfinding i forbindelse med den trådløse aktiveringsfunktion

Udfør selv en inspektion, inden De anmoder om reparation. Hvis De opdager et problem, som ikke er forklaret i brugsanvisningen, må De ikke forsøge at adskille maskinen. Rådfør Dem i stedet med et autoriseret Makita Servicecenter, og brug altid originale Makita udskiftingsdele til reparationer.

Unormal tilstand	Sandsynlig årsag (fejl)	Afhjælpning
Den trådløse aktiveringslampe tændes/blinker ikke.	Den trådløse enhed er ikke monteret på maskinen. Den trådløse enhed er ikke monteret korrekt på maskinen.	Monter den trådløse enhed korrekt.
	Terminalen på den trådløse enhed og/eller åbningen er snavset.	Aftør forsigtigt støv og snavs på terminalen på den trådløse enhed, og rengør åbningen.
	Der er ikke trykket på den trådløse aktiveringsknap på maskinen.	Tryk kortvarigt på den trådløse aktiveringsknap på maskinen.
	Standby-kontakten på støvsugeren er ikke indstillet til "AUTO".	Sæt standby-kontakten på støvsugeren til "AUTO".
	Ingen strømforsyning	Tilfør strøm til maskinen og støvsugeren.
Kan ikke afslutte maskinregistrering/annullering af maskinregistrering korrekt.	Den trådløse enhed er ikke monteret på maskinen. Den trådløse enhed er ikke monteret korrekt på maskinen.	Monter den trådløse enhed korrekt.
	Terminalen på den trådløse enhed og/eller åbningen er snavset.	Aftør forsigtigt støv og snavs på terminalen på den trådløse enhed, og rengør åbningen.
	Standby-kontakten på støvsugeren er ikke indstillet til "AUTO".	Sæt standby-kontakten på støvsugeren til "AUTO".
	Ingen strømforsyning	Tilfør strøm til maskinen og støvsugeren.
	Forkert betjening	Tryk kortvarigt på den trådløse aktiveringsknap, og udfør procedurerne for maskinregistrering/annullering igen.
	Maskinen og støvsugeren er ikke i nærheden af hinanden (uden for transmissionsafstand).	Flyt maskinen og støvsugeren tættere på hinanden. Den maksimale transmissionsafstand er cirka 10 m, men kan variere afhængigt af forholdene.
	Før du fuldfører maskinregistrering/annullering, - der trykkes på afbryderknappen på maskinen, eller - der tændes på hovedafbryderen på støvsugeren.	Tryk kortvarigt på den trådløse aktiveringsknap, og udfør procedurerne for maskinregistrering/annullering igen.
	Maskinregistreringsprocedurerne på maskinen eller støvsugeren er ikke fuldført.	Gennemfør maskinregistreringsprocedurerne både på maskinen og støvsugeren på samme tid.
Støvsugeren kører ikke, når kontakten på maskinen betjenes.	Radiointerferens fra andre apparater, der udsender højintens radiobølger.	Hold maskinen og støvsugeren væk fra apparater som f.eks. Wi-Fi-enheder og mikrobølgeovne.
	Den trådløse enhed er ikke monteret på maskinen. Den trådløse enhed er ikke monteret korrekt på maskinen.	Monter den trådløse enhed korrekt.
	Terminalen på den trådløse enhed og/eller åbningen er snavset.	Aftør forsigtigt støv og snavs på terminalen på den trådløse enhed, og rengør åbningen.
	Der er ikke trykket på den trådløse aktiveringsknap på maskinen.	Tryk kortvarigt på den trådløse aktiveringsknap, og kontroller, at den trådløse aktiveringslampe blinker blåt.
	Standby-kontakten på støvsugeren er ikke indstillet til "AUTO".	Sæt standby-kontakten på støvsugeren til "AUTO".
	Der er registreret mere end 10 maskiner til støvsugeren.	Udfør maskinregistreringen igen. Hvis der er registreret mere end 10 maskiner til støvsugeren, bliver den maskine, der blev registreret tidligst, automatisk annulleret.
	Støvsugeren har slettet alle maskinregistreringer.	Udfør maskinregistreringen igen.
	Ingen strømforsyning	Tilfør strøm til maskinen og støvsugeren.
	Maskinen og støvsugeren er ikke i nærheden af hinanden (uden for transmissionsafstand).	Flyt maskinen og støvsugeren tættere på hinanden. Den maksimale transmissionsafstand er cirka 10 m, men kan variere afhængigt af forholdene.
	Radiointerferens fra andre apparater, der udsender højintens radiobølger.	Hold maskinen og støvsugeren væk fra apparater som f.eks. Wi-Fi-enheder og mikrobølgeovne.
Støvsugeren kører, mens der ikke trykkes på maskinens afbryderknap.	Andre brugere anvender den trådløse aktivering af støvsugeren med deres maskiner.	Deaktiver den trådløse aktiveringsknap på de andre maskiner, eller annuller maskinregistreringen af de andre maskiner.

VEDLIGEHOELSE

⚠FORSIGTIG: Vær altid sikker på, at værktøjet er slukket, og at akkuen er taget ud, inden De begynder at udføre inspektion eller vedligeholdelse.

BEMÆRKNING: Anvend aldrig benzin, rensebenzin, fortynder, alkohol og lignende. Det kan medføre misfarvning, deformation eller revner.

For at opretholde produktets SIKKERHED og PÅLIDELIGHED må reparation, vedligeholdelse eller justering kun udføres af et autoriseret Makita servicecenter eller fabrikksservicecenter med anvendelse af Makita reservedele.

Efter anvendelse

Aftør maskinen med en tør klud eller en klud, der er let fugtet med sæbevand med jævne mellemrum.

EKSTRAUDSTYR

⚠FORSIGTIG: Det følgende tilbehør og ekstraudstyr er anbefalet til brug med Deres Makita maskine, der er beskrevet i denne brugsanvisning. Anvendelse af andet tilbehør eller ekstraudstyr kan udgøre en risiko for personskade. Anvend kun tilbehør og ekstraudstyr til det beskrevne formål.

Hvis De behøver hjælp ved valg af tilbehør eller ønsker yderligere informationer, bedes De kontakte Deres lokale Makita servicecenter.

- Slibepapir (med forstansede huller)
- Slibepapir af typen med krog og løkke
- Hulplade
- Bagtallerken (til brug med slibepapir af typen med krog og løkke)
- Bagtallerken (til brug med almindeligt slibepapir)
- Støvpose
- Støvkasse
- Filter
- Slange
- Trådløs enhed (Kun for model DBO381)
- Batteribeskytter
- Original Makita-akku og oplader

BEMÆRK: Nogle ting på denne liste kan være inkluderet i værktøjspakken som standardtilbehør. Det kan være forskellige fra land til land.

SPECIFIKĀCIJAS

Modelis:	DBO380	DBO381
Paliktņa izmērs	92 mm x 185 mm	
Abrazīvā papīra izmērs	93 mm x 228 mm	
Rotācijas ap ekscentra asi minūtē	Liels	12 000 min ⁻¹
	Vidējs	8 000 min ⁻¹
	Mazs	4 000 min ⁻¹
Kopējais garums (ar priekšējo rokturi)	336 mm	
Nominālais spriegums	Līdzstrāva 18 V	
Neto svars	1,9–2,2 kg	

- Nepārtrauktās izpētes un izstrādes programmas dēļ šeit uzrādītās specifikācijas var tikt mainītas bez brīdinājuma.
- Specifikācijas un akumulatora kasetne var atšķirties dažādās valstīs.
- Svārs var būt atšķirīgs atkarībā no papildierces(-ēm), tostarp akumulatora kasetnes. Tabulā ir attēlota vieglākā un smagākā kombinācija atbilstoši EPTA procedūrai 01/2014.

Piemērotā akumulatora kasetne un lādētājs

Akumulatora kasetne	BL1815N / BL1820B / BL1830B / BL1840B / BL1850B / BL1860B
Lādētājs	DC18RC / DC18RD / DC18RE / DC18SD / DC18SE / DC18SF / DC18SH

- Daži no iepriekš norādītajiem lādētājiem un akumulatora kasetnēm var nebūt pieejami atkarībā no jūsu mītnes reģiona.

▲BRĪDINĀJUMS: Izmantojiet vienīgi iepriekš norādītās akumulatora kasetnes un lādētājus. Cita tipa akumulatora kasetņu un lādētāju izmantošana var radīt traumu un/vai aizdegšanās risku.

Paredzētā lietošana

Šis darbarīks paredzēts lielu koka virsmu, plastmasas un metāla materiālu, kā arī krāsotu virsmu slīpēšanai.

Trokšņa līmenis

Tipiskais A svērtais trokšņa līmenis noteikts saskaņā ar EN62841-2-4:

Modelis DBO380

Skaņas spiediena līmeni (L_{pA}): 72 dB (A)

Mainīgums (K): 3 dB (A)

Modelis DBO381

Skaņas spiediena līmeni (L_{pA}): 72 dB (A)

Mainīgums (K): 3 dB (A)

Darbības laikā trokšņa līmenis var pārsniegt 80 dB (A).

PIEZĪME: Paziņotā trokšņa emisijas vērtība noteikta atbilstoši standarta pārbaudes metodei, un to var izmantot, lai salīdzinātu vienu darbarīku ar citu.

PIEZĪME: Paziņoto trokšņa emisijas vērtību arī var izmantot iedarbības sākotnējā novērtējumā.

▲BRĪDINĀJUMS: Lietojiet ausu aizsargus.

▲BRĪDINĀJUMS: Trokšņa emisija patiesos darba apstākļos var atšķirties no paziņotās vērtības atkarībā no darbarīka izmantošanas veida un jo īpaši atkarībā no apstrādājamā materiāla veida.

▲BRĪDINĀJUMS: Lai aizsargātu lietotāju, nosakiet drošības pasākumus, kas pamatoti ar iedarbību reālos darba apstākļos (ņemot vērā visus ekspluatācijas cikla posmus, piemēram, laiku, kamēr darbarīks ir izslēgts un kad darbojas tukšgaitā, kā arī palaišanas laiku).

Vibrācija

Vibrācijas kopējā vērtība (trīsasu vektora summa) noteikta atbilstoši EN62841-2-4:

Modelis DBO380

Darba režīms: metāla plāksnes slīpēšana

Vibrācijas izmete (a_h): 3,6 m/s²

Mainīgums (K): 1,5 m/s²

Modelis DBO381

Darba režīms: metāla plāksnes slīpēšana

Vibrācijas izmete (a_h): 3,6 m/s²

Mainīgums (K): 1,5 m/s²

PIEZĪME: Paziņotā kopējā vibrācijas vērtība noteikta atbilstoši standarta pārbaudes metodei, un to var izmantot, lai salīdzinātu vienu darbarīku ar citu.

PIEZĪME: Paziņoto kopējo vibrācijas vērtību arī var izmantot iedarbības sākotnējā novērtējumā.

BRĪDINĀJUMS: Vibrācijas emisija patiesos darba apstākļos var atšķirties no paziņotās vērtības atkarībā no darbarīka izmantošanas veida un jo īpaši atkarībā no apstrādājamā materiāla veida.

BRĪDINĀJUMS: Lai aizsargātu lietotāju, nosakiet drošības pasākumus, kas pamatoti ar iedarbību reālos darba apstākļos (ņemot vērā visus ekspluatācijas cikla posmus, piemēram, laiku, kamēr darbarīks ir izslēgts un kad darbojas tukšgaitā, kā arī palaišanas laiku).

EK atbilstības deklarācija

Tikai Eiropas valstīm

EK atbilstības deklarācija šajā lietošanas rokasgrāmatā ir iekļauta kā A pielikums.

DROŠĪBAS BRĪDINĀJUMI

Vispārīgi elektrisko darbarīku drošības brīdinājumi

BRĪDINĀJUMS: Izlasiet visus drošības brīdinājumus, instrukcijas, apskatiet ilustrācijas un tehniskos datus, kas iekļauti mehanizētā darbarīka komplektācijā. Ja netiek ievēroti visi tālāk minētie noteikumi, var tikt izraisīta elektrotrauma, notikt aizdegšanās un/vai rasties smagas traumas.

Glabājiet visus brīdinājumus un norādījumus, lai varētu tajos ieskatīties turpmāk.

Termins „elektrisks darbarīks” brīdinājumos attiecas uz tādu elektrisko darbarīku, ko darbina ar elektrību (ar vadu), vai tādu, ko darbina ar akumulatoru (bez vada).

Slīpmašīnas drošības brīdinājumi

1. Vienmēr lietojiet aizsargbrilles. Parastās brilles vai saulesbrilles NAV aizsargbrilles.
2. Turiet darbarīku cieši.
3. Neatstājiet darbarīku ieslēgtu. Darbiniet darbarīku vienīgi tad, ja turat to rokās.
4. Šis darbarīks nav ūdensdrošs, tādēļ uz apstrādājamā materiāla virsmas neizmantojiet ūdeni.
5. Veicot slīpēšanas darbus, darba vietu atbilstoši vēdiniet.
6. Daži materiāli satur ķīmiskas vielas, kuras var būt toksiskas. Izvairieties no putekļu ieelpošanas un to nokļūšanas uz ādas. Ievērojiet materiāla piegādātāja drošības datus.
7. Izmantojot šo darbarīku noteikta veida izstrādājumu, krāsu un koka šķirņu slīpēšanai, operatora var nonākt saskarē ar putekļiem, kuru sastāvā ir bīstamas vielas. Izmantojiet piemērotu elpceļu aizsardzību.
8. Pirms lietošanas pārbaudiet, vai pamatne nav saplaisājusi vai saplīsusi. Plaisas vai plīsumi var radīt traumu.

9. Izmantojot šo darbarīku, ir svarīgi saglabāt līdzsvaru un stabilu pamatu zem kājām. Ja lietojat darbarīku augstām, pārliecīnieties, ka apakšā nav cilvēku.

SAGLABĀJIET ŠOS NORĀDĪJUMUS.

BRĪDINĀJUMS: NEPIEĻAUJIET to, ka labu iemaņu vai izstrādājuma labas pārziņāšanas (darbarīku atkārtoti ekspluatējot) rezultātā vairs stingri neievērojat šī izstrādājuma drošības noteikumus. NEPAREIZI LIETOJOT darbarīku vai neievērojot šajā instrukciju rokasgrāmatā minētos drošības noteikumus, var tikt gūtas smagas traumas.

Svarīgi drošības norādījumi par akumulatora kasetni

1. Pirms akumulatora lietošanas izlasiet visus norādījumus un brīdinājumus, kuri attiecas uz (1) akumulatora lādētāju, (2) akumulatoru un (3) ierīci, kurā tiek izmantots akumulators.
2. Akumulatora kasetni nedrīkst ne pārveidot, ne izjaukt. Citādi var tikt izraisīta aizdegšanās, pārmērīgs karstums vai sprādziens.
3. Ja akumulatora darbības laiks kļuva ievērojami īsāks, nekavējoties pārtrauciet to izmantot. Citādi, tas var izraisīt pārkarsējumu, uzliesmojumu vai pat sprādzienu.
4. Ja elektrolīts nonāk acīs, izskalojiet tās ar tīru ūdens un nekavējoties griežieties pie ārsta. Tas var izraisīt redzes zaudēšanu.
5. Neradiet īssavienojumu akumulatora kasetnē:
 - (1) Nepieskarieties spailēm ar elektrību vadošiem materiāliem.
 - (2) Neuzglabājiet akumulatoru kasetni kopā ar citiem metāla priekšmetiem, tādiem kā naglas, monētas u. c.
 - (3) Nepakļaujiet akumulatora kasetni ūdens vai lietus iedarbībai.Akumulatora īssavienojums var radīt spēcīgu strāvas plūsmu, pārkaršanu, uzliesmojumu un pat sabojāt akumulatoru.
6. Neglabājiet un neizmantojiet darbarīku un akumulatora kasetni vietās, kur temperatūra var sasniegt vai pārsniegt 50 °C (122 °F).
7. Nededziniet akumulatora kasetni, pat ja tā ir stipri bojāta vai pilnībā nolietota. Akumulatora kasetne ugunī var eksplodēt.
8. Akumulatora kasetni nedrīkst naglot, griezt, saspīest, mest vai nomest, kā arī pa to nedrīkst sist ar cietu priekšmetu. Šādas darbības var izraisīt aizdegšanos, pārmērīgu karstumu vai sprādzienu.
9. Neizmantojiet bojātu akumulatoru.
10. Uz izmantotajiem litiņu jonu akumulatoriem attiecas likumdošanas prasības par bīstamiem izstrādājumiem. Komerciālā transportēšanā, ko veic, piemēram, trešās puses, transporta uzņēmumi, jāievēro uz iesaiņojuma un marķējuma norādītās īpašās prasības. Lai izstrādājumu sagatavotu nosūtīšanai, jāsažinās ar bīstamo materiālu speciālistu. Ievērojiet arī citus attiecināmos valsts normatīvus. Valējus kontaktus nosedziet ar līmlenti vai citādi pārklājiet, bet akumulatoru iesaiņojiet tā, lai sānī tas nevarētu izkustēties.

- Lai utilizētu akumulatora kasetni, izņemiet to no darbarīka un likvidējiet drošā vietā. Ievērojiet vietējos noteikumus par akumulatora likvidēšanu.
- Izmantojiet šos akumulatorus tikai ar izstrādājumiem, kurus norādījis Makita. Ievietojot šos akumulatorus nesaderīgos izstrādājumos, var rasties ugunsgrēks, pārmērīgs karstums, tie var uzsprāgt vai no tiem var izteciēt elektrolīts.
- Ja darbarīks netiks lietots ilgu laiku, no tā jāizņem akumulators.
- Lietošanas laikā vai pēc tās akumulatora kasetne var uzkrāt siltumu, kas var izraisīt apdegumus vai zemas temperatūras apdegumus. Ar karstu akumulatora kasetni apejieties rūpīgi.
- Nepieskarieties darbarīka izvadam uzreiz pēc lietošanas, jo tas var būt sakarsis un izraisīt apdegumus.
- Neļaujiet akumulatora kasetnes izvadā, atverēs un rievās uzkrāties skaidām, putekļiem vai augsnei. Tādējādi darbarīks vai akumulatora kasetne var sākt darboties nekvalitatīvi vai tikt sabojāti.
- Neizmantojiet akumulatora kasetni augstsprieguma līniju tuvumā, izņemot gadījumus, kad darbarīks ir piemērots lietošanai augstsprieguma līniju tuvumā. Citādi darbarīks vai akumulatora kasetne var sākt darboties nepareizi vai tikt sabojāti.
- Glabājiet akumulatoru bērniem nepieejamā vietā.

SAGLABĀJIET ŠOS NORĀDĪJUMUS.

⚠UZMANĪBU: Lietojiet tikai oriģinālos Makita akumulatorus. Ja lietojat neoriģinālus Makita akumulatorus vai pārveidotus akumulatorus, tie var uzsprāgt un izraisīt aizdegšanos, traumas un materiālos zaudējumus. Tiks anulēta arī Makita darbarīka un lādētāja garantija.

Ieteikumi akumulatora kalpošanas laika pagarināšanai

- Uzlādējiet akumulatora kasetni, pirms tā ir pilnībā izlādējusies. Vienmēr, kad ievērojat, ka darbarīka darba jauda zudusi, apturiet darbarīku un uzlādējiet akumulatora kasetni.
- Nekad neuzlādējiet pilnībā uzlādētu akumulatora kasetni. Pārmērīga uzlāde saīsina akumulatora kalpošanas laiku.
- Uzlādējiet akumulatora kasetni istabas temperatūrā 10 °C - 40 °C. Karstai akumulatora kasetnei pirms uzlādes ļaujiet atdzist.
- Kad akumulatora kasetne netiek izmantota, izņemiet to no darbarīka vai lādētāja.
- Uzlādējiet litiņa jonu akumulatora kasetni, ja to ilgstoši nelietosit (vairāk nekā sešus mēnešus).

Svarīgi drošības norādījumi par bezvadu ierīci

- Bezvadu ierīci nedrīkst ne pārveidot, ne izjaukt.
- Bezvadu ierīci glabājiet maziem bērniem nepieejamā vietā. Ja kāds cilvēks nejausi norij kādu no detaļām, nekavējoties jādodas pie ārsta.
- Bezvadu ierīci lietojiet tikai kopā ar Makita darbarīkiem.
- Raugiet, lai bezvadu ierīce neatrastos lietū vai mitros apstākļos.
- Bezvadu ierīci nelietojiet vietās, kur temperatūra pārsniedz 50 °C.
- Bezvadu ierīci nelietojiet vietās, kur tuvumā atrodas medicīnas ierīces, piemēram, sirds darbības stimulatori.
- Bezvadu ierīci nelietojiet vietās, kur tuvumā atrodas automātiskas ierīces. Ja lietojat, tad automātisko ierīču darbībā var rasties traucējumi vai kļūdas.
- Neizmantojiet bezvadu ierīci vietā, kur ir augsta temperatūra vai var veidoties statiskā elektrība vai elektriskais troksnis.
- Bezvadu ierīce var radīt elektromagnētiskos laukus (EML), bet tie nav lietotājam kaitīgi.
- Bezvadu ierīce ir precīzs instruments. Uzmanieties, lai bezvadu ierīce nenokrīstu un nekur neietriektos.
- Bezvadu ierīces izvadam nepieskarieties ar kailām rokām vai metāliskiem materiāliem.
- Kad uzstādāt bezvadu ierīci, vienmēr izņemiet darbarīka akumulatoru.
- Verot valā atveres pārsegu, izvairieties no vietas, kur atverē var iekļūt putekļi un ūdens. Atveres ieeju vienmēr turiet tīru.
- Bezvadu ierīci vienmēr ievietojiet pareizajā virzienā.
- Bezvadu ierīces bezvadu sistēmas aktivizēšanas pogu nospiediet pārāk stipri un/vai nespiediet pogu ar priekšmetu, kam ir asas malas.
- Lietojot ierīci, vienmēr aizveriet atveres pārsegu.
- Kamēr darbarīks ir pieslēgts pie strāvas, neatvienojiet bezvadu ierīci no atveres. Ja atvienojat, var rasties traucējumi bezvadu ierīces darbībā.
- No bezvadu ierīces nenoplēsiet uzlīmi.
- Uz bezvadu ierīces nelīmējiet nekādas uzlīmes.
- Neatstājiet bezvadu ierīci vietā, kur var veidoties statiskā elektrība vai elektriskais troksnis.
- Bezvadu ierīci neatstājiet vietās, kur varētu būt liels karstums, piemēram, automobilī, kas atstāts saulē.
- Bezvadu ierīci neatstājiet puteklainā vai ar pulveri nokaisītā vietā vai vietā, kur var rasties kodīga gāze.
- Pēkšņas temperatūras izmaiņas var radīt mitrumu uz ierīces. Bezvadu ierīci lietojiet tikai tad, kad mitrums pilnībā izžuvis.
- Kad tīrāt bezvadu ierīci, uzmanīgi slaukiet to ar sausu, mīkstu drānu. Nelietojiet benzīnu, atšķaidītāju, vadītspējīgas smērvielas vai līdzīgas vielas.

Aizsardzība pret pārkaršanu

Kad darbarīks/akumulatora ir pārkaršis, darbarīks automātiski pārstāj darboties. Šādā gadījumā ļaujiet darbarīkam un akumulatoram atdzist un tikai tad atkal ieslēdziet darbarīku.

Aizsardzība pret akumulatora pārmērīgu izlādi

Ja akumulatora jaudas līmenis ir zems, darbarīks automātiski pārstāj darboties. Šajā gadījumā akumulatoru izņemiet no darbarīka un uzlādējiet.

Slēdža darbība

UZMANĪBU: Kad darbarīks novietots uz apstrādājamā materiāla vai darbgalda, gādājiet, lai tas nebūtu ieslēgts. Ieslēgts darbarīks var radīt traumas vai bojājumus.

Darbarīka ieslēgšana un izslēgšana

Lai ieslēgtu darbarīku, nospiediet barošanas/ātruma regulēšanas pogu, kas atrodas galvenā roktura augšpusē. Darbarīks sāk darboties ar maksimālo griešanās ātrumu. Lai pauzētu vai apturētu darbarīka darbību, nospiediet apturēšanas pogu.

► **Att.3:** 1. Barošanas/ātruma regulēšanas poga
2. Apturēšanas poga 3. Galvenais rokturis

Darbarīka ātruma regulēšana

Ir pieejami trīs griešanās ātruma režīmi – liels, vidējs un mazs, kurus varat izvēlēties atbilstīgi lietošanas veidam un darba slodzei.

Lai pārslēgtu ātruma režīmu, spiediet barošanas/ātruma regulēšanas pogu.

► **Att.4:** 1. Barošanas/ātruma regulēšanas poga

Ātruma iestatījumu tabula

Ātruma līmenis	Apgriezieni minūtē
3 (liels)	12 000 min ⁻¹ (/min)
2 (vidējs)	8 000 min ⁻¹ (/min)
1 (zems)	4 000 min ⁻¹ (/min)

IEVĒRĪBAI: Ja darbarīku regulāri un ilgstoši darbināsiet ar mazu ātrumu, motors tiks pārslodgots, tādējādi radot darbarīka darbības traucējumus.

IEVĒRĪBAI: Lai novērstu pārkaršanu un apstrādājamā materiāla sakušanu, atlasiet veicamajiem slīpēšanas darbiem atbilstīgu ātruma diapazonu. Veicot slīpēšanu ar lieliem apgriezieniem, apstrādājama materiāls var uzkarst un sakust saskares punktā.

Elektroniskā funkcija

Lai atvieglotu lietošanu, darbarīks ir aprīkots ar elektronisko funkciju.

Nemainīga ātruma vadība

Šī funkcija nodrošina nemainīgu griešanās ātrumu, tādējādi panākot lielisku darba rezultātu.

MONTĀŽA

UZMANĪBU: Pirms darbarīka regulēšanas vai apkopes vienmēr pārliecinieties, ka darbarīks ir izslēgts un akumulatora kasetne ir izņemta.

Abrazīvā papīra uzstādīšana vai noņemšana

UZMANĪBU: Pirms sākat ekspluatāciju, obligāti pārliecinieties, ka abrazīvā papīra loksne ir kārtīgi uzstādīta. Citādi papīrs var kļūt vaļīgs, viegli atvienoties un noslidēt, radot nevienmērīgu slīpējumu.

Darbarīka komplektācijā iekļautā abrazīvā papīra izmantošana

1. Nospiediet uz leju un turiet nospiestu stiprinājuma sviru vai nu paliktņa priekšpusē, vai aizmugurē un bīdīet to prom no aiztura tā, lai skava tiktu atbrīvota no sastiprinātā stāvokļa.
2. Velciet stiprinājuma sviru maksimāli uz āru, lai starp skavu un slīpēšanas pamatnes sāna sienu rastos atstarpe, kurā varētu ielikt vienu abrazīvā papīra galu.
► **Att.5:** 1. Stiprinājuma svira 2. Aizturis 3. Skava 4. Slīpēšanas pamatne 5. Paliktņis
3. Uzlieciet abrazīvā papīra loksni uz paliktņa, savie-tojot putekļu izvades atveres ar atverēm uz paliktņa.
► **Att.6:** 1. Abrazīvais papīrs 2. Paliktņis 3. Putekļu izvades atvere
4. Ieslidiniet vienu abrazīvā papīra galu atstarpē starp skavu un slīpēšanas pamatni.
5. Iestatiet stiprinājuma sviru atpakaļ fiksētā pozīcijā, pārliecinoties, ka abrazīvā papīra gals ir cieši nostiprināts.
6. Atbrīvojiet skavu otrā pusē un sagatavojiet otru abrazīvā papīra galu nostiprināšanai.
7. Saglabājiet pareizo abrazīvā papīra nospiesto nospiesto un tad otrā pusē iestatiet stiprinājuma sviru fiksētā pozīcijā.
► **Att.7:** 1. Abrazīvais papīrs 2. Skava 3. Slīpēšanas pamatne 4. Stiprinājuma svira 5. Aizturis
8. Lai noņemtu abrazīvo papīru, abās pusēs atbrīvojiet skavas un noņemiet papīru no paliktņa.

Atsevišķi iegādājama abrazīvā papīra izmantošana

1. Izgrieziet vajadzīgā lieluma abrazīvā papīra loksni.
► **Att.8:** 1. Abrazīvais papīrs 2. Paliktņis
2. Nospiediet uz leju un turiet nospiestu stiprinājuma sviru vai nu paliktņa priekšpusē, vai aizmugurē un bīdīet to prom no aiztura tā, lai skava tiktu atbrīvota no sastiprinātā stāvokļa.
3. Velciet stiprinājuma sviru maksimāli uz āru, lai starp skavu un slīpēšanas pamatnes sāna sienu rastos atstarpe, kurā varētu ielikt vienu abrazīvā papīra galu.
4. Ieslidiniet vienu abrazīvā papīra galu atstarpē starp skavu un slīpēšanas pamatni.

5. Pārīvojiet abrazīvo papīru tā, lai tas precīzi pārklātu paliktņa virsmu.

6. Lai cieši nostiprinātu abrazīvā papīra galu, iestāties stiprinājuma sviru atpakaļ fiksētā pozīcijā.

7. Atbrīvojiet skavu otrā pusē un sagatavojiet otu abrazīvā papīra galu nostiprināšanai.

8. Saglabājiet pareizo abrazīvā papīra nosprigojumu un tad otrā pusē iestāties stiprinājuma sviru fiksētā pozīcijā.

► **Att.9:** 1. Abrazīvais papīrs 2. Skava 3. Slīpēšanas pamatne 4. Stiprinājuma svira 5. Aizturis

9. Pārklājiet abrazīvo papīru ar caursitņa plāksni tā, lai pozicionēšanas aizturi būtu novietoti pie stūra un būtu precīzi savietoti ar divām paliktņa un slīpēšanas pamatnes sānu malām.

► **Att.10:** 1. Abrazīvais papīrs 2. Caursitņa plāksne 3. Pozicionēšanas aizturi 4. Paliktņi 5. Slīpēšanas pamatne

10. Bīdīet caursitņa plāksni pāri abrazīvajam papīram, lai izveidotu putekļu izvades atveres.

11. Lai noņemtu abrazīvo papīru, abās pusēs atbrīvojiet skavas un noņemiet papīru no paliktņa.

Abrazīvā papīra ar līplentes stiprinājumu izmantošana

Papildpiederums

▲UZMANĪBU: Gādājiet, lai paliktņi ar līplentes stiprinājumu būtu uzstādīts pareizi un droši. Vajāgs piederums zaudēs līdzsvaru un izraisīs pārmērīgu vibrāciju, tādējādi izraisot vadības zaudēšanu.

▲UZMANĪBU: Gādājiet, lai paliktņi ar līplentes stiprinājumu būtu savietots ar abrazīvo papīru un cieši tam piestiprināts.

▲UZMANĪBU: Izmantojiet tikai abrazīvos papīrus ar līplentes stiprinājumu. Nekad neizmantojiet abrazīvos papīrus, kas nav spiedienizturīgi.

1. Atskrūvējiet un izņemiet četras skrūves, ar kurām paliktņi piestiprināts pie slīpēšanas pamatnes.

2. Nomainiet standarta aprīkojuma paliktņi ar papildaprīkojuma paliktņi ar līplentes stiprinājumu.

3. Lai nostiprinātu paliktņi ar līplentes stiprinājumu, cieši pieskrūvējiet skrūves.

► **Att.11:** 1. Skrūves 2. Slīpēšanas pamatne 3. Paliktņi

4. Notīriet no paliktņa ar līplentes stiprinājumu visus netīrumus un svešķermeņus.

5. Uzlieciet abrazīvā papīra ar līplentes stiprinājumu loksnī uz paliktņa, savietojot putekļu izvades atveres ar atverēm uz paliktņa.

► **Att.12:** 1. Abrazīvais papīrs 2. Starplika 3. Putekļu izvades atveres

6. Lai noņemtu abrazīvo papīru, noplēsiet to no malas.

▲UZMANĪBU: Paliktņa nomainīšanas laikā no slīpēšanas pamatnes var nokrist blīvgredzens. Pirms uzstādāt papildaprīkojuma paliktņi, ielieciet blīvgredzenu atpakaļ lokveida gropēs, kas atrodas apkārt pamatnes centram.

► **Att.13:** 1. Blīvgredzens 2. Slīpēšanas pamatne 3. Lokveida gropes

Papildpiederums

Uzlieciet putekļu maisu pāri konusveida putekļu caurulei, kas atrodas motora korpusa aizmugurē. Pārīciet putekļu maisa sprauslu maksimāli tālu pāri putekļu caurulei, lai ekspluatācijas laikā tās neatdalītos.

► **Att.14:** 1. Putekļu caurule 2. Putekļu sprausla 3. Putekļu maiss

PIEZĪME: Gādājiet, lai putekļu maiss būtu uzstādīts ar rāvējslēdzēju uz leju.

PIEZĪME: Lai nodrošinātu optimālu putekļu savākšanu, iztukšojiet putekļu maisu, tiklīdz tas piepildās aptuveni līdz pusei no pilnās ietilpības. Izņemiet putekļu maisu no darbarīka un izvelciet stiprinājumu. Pēc tam viegli pakratiet un pasītiēt putekļu maisu, lai iztukšotu to.

Putekļu nodalījuma uzstādīšana un noņemšana

Papildpiederums

Uzlieciet putekļu nodalījumu pāri konusveida putekļu caurulei, kas atrodas motora korpusa aizmugurē. Pārīciet putekļsūcēja uzgali maksimāli tālu pāri putekļu caurulei, lai ekspluatācijas laikā tās neatdalītos.

► **Att.15:** 1. Putekļu caurule 2. Putekļsūcēja uzgali 3. Putekļu nodalījums

PIEZĪME: Lai nodrošinātu optimālu putekļu savākšanu, iztukšojiet putekļu nodalījumu, tiklīdz tas piepildās aptuveni līdz pusei no pilnās ietilpības.

1. Izņemiet putekļu nodalījumu no darbarīka.
2. Abās putekļu nodalījuma pusēs turot nospiestus fiksatorus, atvienojiet putekļsūcēja uzgali no putekļu nodalījuma.
3. Viegli pakratiet un pasītiēt putekļu nodalījumu, lai iztukšotu to.

Filtra nomaīņa

IEVĒRĪBAI: Atrkārtoti liekot kopā detaļas, atcerieties, ka logotipiems, kas redzami uz putekļu nodalījuma, filtra un putekļsūcēja uzgaļa, jābūt vēršam vienā virzienā.

1. Izņemiet putekļu nodalījumu no darbarīka.
2. Abās putekļu nodalījuma pusēs turot nospiestus fiksatorus, atvienojiet putekļsūcēja uzgali no putekļu nodalījuma.

► **Att.16:** 1. Putekļsūcēja uzgali 2. Putekļu nodalījums 3. Fiksators

3. Turiet kartona izgriezuma augšējo malu un noplēsiet kartonu virzienā uz leju, lai atvienotu kartona augšējo ārējo malu no augšējā ieliektā izciļņa, kas atrodas uz putekļu nodalījuma malas.

4. Izņemiet filtru no putekļu nodalījuma, vienlaikus izvelkot kartona izgriezuma apakšējo malu no apakšējā ieliektā izciļņa.

► **Att.17:** 1. Filtrs 2. Kartona izgriezums 3. Augšējais ieliektais izciļnis 4. Apakšējais ieliektais izciļnis 5. Putekļu nodalījums

5. Ievietojiet filtru, piestiprinot kartona izgriezuma apakšējo malu apakšējam ieliektajam izcilnim un spiežot augšējo malu uz iekšu, līdz tā nofiksējas augšējā ieliektajā izcilnī.

► **Att.18:** 1. Filtrs 2. Kartona izgriezums 3. Augšējais ieliektais izcilnis 4. Apakšējais ieliektais izcilnis 5. Putekļu nodalījums

6. Iespiediet putekšsūcēja uzgali tam paredzētajā vietā, vienlaikus abās putekļu nodalījuma pusēs turot nospiestus fiksatorus.

► **Att.19:** 1. Putekšsūcēja uzgals 2. Putekļu nodalījums 3. Fiksators

Priekšējā roktura noņemšana un uzstādīšana

UZMANĪBU: Pēc roktura uzstādīšanas pavelciet to, lai pārbaudītu, vai rokturis kārtīgi piestiprināts.

IEVĒRĪBAI: Pārliecinieties, ka priekšējais rokturis ir līdz galam iespiests atverē, un, kamēr rotājat priekšējo rokturi, turiet to nemainīgā leņķī. Neievērojot šo norādi, var sabojāt darbarīku.

Noņemot atvienojamo priekšējo rokturi, var efektīvāk veikt slīpēšanu šaurās, ierobežotās un grūti aizsniedzamās vietās.

Demontāža

Kārtīgi turiet priekšējo rokturi un cieši spiediet to motora korpusā, pagriežot rokturi pa 90 grādiem vai nu uz kreiso, vai labo pusi. Pēc tam atvienojiet to no darbarīka.

Uzstādīšana

Ievietojiet priekšējā roktura galu motora korpusa atverē, savietojot roktura gala aprises ar atveres aprisēm.

Kārtīgi turiet priekšējo rokturi un cieši spiediet to korpusā, pagrieziet rokturi pa 90 grādiem tā, lai satveršanas virsma būtu vērsta augšup.

► **Att.20:** 1. Priekšējais rokturis 2. Atvere 3. Motora korpus 4. Satveršanas virsma

Savienošana ar putekļu sūcēju

Papildpiederums

Ja slīpējot vēlaties saglabāt tīrību, pievienojiet darbarīkam Makita putekļu sūcēju. Lai izveidotu savienojumu, izmantojiet vai nu putekļu sūcēja komplektācijā iekļauto 28 mm šļūteni, vai 22. izmēra priekšējās uzmavas kopā ar šļūteni.

► **Att.21:** 1. Putekļu caurule 2. Priekšējās uzmavas 3. Šļūtene 4. Putekļu sūcējs

EKSPLUATĀCIJA

Slīpēšana

UZMANĪBU: Nekādā gadījumā nelietojiet darbarīku bez smilšpapīra. Var būtiski sabojāt paliktni.

UZMANĪBU: Nekādā gadījumā nespiediet darbarīku ar spēku. Pārmērīgs spiediens var samazināt slīpēšanas efektivitāti, sabojāt smilšpapīru un/ vai saīsināt darbarīka darbumūžu.

Atklātu vietu slīpēšana

1. Stingri turiet darbarīku ar abām rokām – ar vienu roku turiet galveno rokturi, ar otru turiet priekšējo rokturi.

2. Ieslēdziet darbarīku un uzgaidiet, līdz tas sasniedz pilnu ātrumu.

3. Uzmanīgi novietojiet darbarīku uz apstrādājamās virsmas.

4. Gādājiet, lai visa pamatne līdzieni un taisni saskartos ar virsmu, un nedaudz piespiediet darbarīku.

► **Att.22**

Ierobežotu vietu slīpēšana

1. Noņemiet no darbarīka priekšējo rokturi.

2. Turiet rokturi ar vienu roku.

3. Ieslēdziet darbarīku un uzgaidiet, līdz tas sasniedz pilnu ātrumu.

4. Uzmanīgi novietojiet darbarīku uz apstrādājamās virsmas.

5. Gādājiet, lai visa pamatne līdzieni un taisni saskartos ar virsmu, un nedaudz piespiediet darbarīku.

6. Virziet darbarīku gar izliektām līnijām, pa sienas virsmām un citās ierobežotās vietās, pēc vajadzības slīpējot ar paliktņa priekšējo malu un stūriem.

► **Att.23**

BEZVADU SISTĒMAS AKTIVIZĒŠANAS FUNKCIJA

Tikai modelim DBO381

IEVĒRĪBAI: Bezvadu funkcija ir pieejama tikai tad, ja ir uzstādīts saderīgs putekļu sūcējs.

Iespējas, ko sniedz bezvadu sistēmas aktivizēšanas funkcija

Bezvadu sistēmas aktivizēšanas funkcija nodrošina tīru un ērtu darbību. Pieslēdzot atbilstošu putekļu sūcēju darbarīkam, putekļu sūcēju iespējams darbināt automātiski kopā ar darbarīka pārslēgšanas darbību.

► **Att.24**

Lai izmantotu bezvadu sistēmas aktivizēšanas funkciju, sagatavojiet ierīces.

- Bezvadu ierīci (papildu piederums)
- Putekļu sūcēju, kas atbalsta bezvadu sistēmas aktivizēšanas funkciju

Bezvadu sistēmas aktivizēšanas funkcijas iestatīšanas kopsavilkums. Plašāk par darbībām skatiet šajās sadaļās.

1. Bezvadu ierīces uzstādīšana
2. Darbarīka reģistrācija putekļu sūcējam
3. Bezvadu sistēmas aktivizēšanas funkcijas startēšana

Bezvadu ierīces uzstādīšana

Papildu pieredumi

⚠ UZMANĪBU: Kad uzstādāt bezvadu ierīci, darbarīku nolieciet uz līdzenas un stabilas virsmas.

IEVĒRĪBAI: Pirms bezvadu ierīces uzstādīšanas no darbarīka notīriet putekļus un netīrumus. Ja bezvadu ierīces atverē iekļūst putekļi vai netīrumi, tie var izraisīt darbības traucējumus.

IEVĒRĪBAI: Lai novērstu statiskās enerģijas radītos darbības traucējumus, pirms bezvadu ierīces pacelšanas pieskarieties statisko enerģiju izlādējošam materiālam, piemēram, darbarīka metālskaidaj daļai.

IEVĒRĪBAI: Uzstādot bezvadu ierīci, vienmēr pārliecinieties, ka bezvadu ierīce ievietota pareizajā virzienā, un pārsegs ir pilnībā aizvērts.

1. Atveriet darbarīka pārsegu, kā parādīts attēlā.
▶ **Att.25:** 1. Pārsegs
2. Bezvadu ierīci pievienojiet atverei un aizveriet pārsegu.

Pievienojot bezvadu ierīci, izvirkjūmus savietojiet ar padziļinājuma vietām uz atveres.

- ▶ **Att.26:** 1. Bezvadu ierīce 2. Izvirkjūms 3. Pārsegs 4. Padziļinājuma daļa

Noņemot bezvadu ierīci, pārsegu atveriet lēni. Ar āķiem pārsega aizmugurē bezvadu ierīce pacelsies līdz ar pārsega atvēršanu.

- ▶ **Att.27:** 1. Bezvadu ierīce 2. Āķis 3. Pārsegs

Pēc bezvadu ierīces noņemšanas glabājiet to komplekta ietvarā vai nestatiskā konteinerā.

IEVĒRĪBAI: Noņemot bezvadu ierīci, vienmēr izmantojiet āķus pārsega aizmugurē. Ja āķi nesatver bezvadu ierīci, tad pārsegu aizveriet un lēni atkal atveriet.

Darbarīka reģistrācija putekļu sūcējam

PIEZĪME: Lai reģistrētu darbarīku, nepieciešams Makita putekļu sūcējs, kas atbalsta bezvadu sistēmas aktivizēšanas funkciju.

PIEZĪME: Vispirms pabeidziet bezvadu ierīci uzstādīt darbarīkam, tikai tad sāciet darbarīka reģistrāciju.

PIEZĪME: Darbarīka reģistrācijas laikā nospiediet slēdža mēlīti un nenospiediet ieslēgšanas slēdzi uz putekļu sūcēja.

PIEZĪME: Skatiet arī putekļu sūcēja lietošanas rokasgrāmatu.

Ja putekļu sūcēju vēlaties aktivizēt reizē ar darbarīka pārslēgšanas darbību, vispirms pabeidziet darbarīka reģistrāciju.

1. Putekļu sūcējā un darbarīkā ielieciet akumulatorus.
2. Gaidstāves slēdzi uz putekļu sūcēja pārslēdziet pozīcijā „AUTO”.
▶ **Att.28:** 1. Gaidstāves slēdzis

3. Nospiediet bezvadu sistēmas aktivizēšanas pogu uz putekļu sūcēja un turiet 3 sekundes, līdz bezvadu sistēmas aktivizēšanas lampiņa mirgo zaļā krāsā. Un tad tādā pašā veidā nospiediet bezvadu sistēmas aktivizēšanas pogu uz darbarīka.

- ▶ **Att.29:** 1. Bezvadu sistēmas aktivizēšanas pogu 2. Bezvadu sistēmas aktivizēšanas lampiņa

Ja putekļu sūcējs un darbarīks savienoti veiksmīgi, bezvadu sistēmas aktivizēšanas lampiņas 2 sekundes degs zaļā krāsā un tad sāks mirgot zilā krāsā.

PIEZĪME: Bezvadu sistēmas aktivizēšanas lampiņas zaļā krāsā beidz mirgot pēc 20 sekundēm. Kamēr uz putekļu sūcēja mirgo bezvadu sistēmas aktivizēšanas lampiņa, nospiediet bezvadu sistēmas aktivizēšanas pogu uz darbarīka. Ja bezvadu sistēmas aktivizēšanas lampiņa nemirgo zaļā krāsā, uz mirkli piespiediet un atkal paturiet nospiestu bezvadu sistēmas aktivizēšanas pogu.

PIEZĪME: Ja vienam putekļu sūcējam reģistrējat divus vai vairākus darbarīkus, tad darbarīku reģistrāciju pabeidziet secīgi.

Bezvadu sistēmas aktivizēšanas funkcijas startēšana

PIEZĪME: Vispirms pabeidziet darbarīka reģistrāciju putekļu sūcējam, tikai tad aktivizējiet bezvadu sistēmu.

PIEZĪME: Skatiet arī putekļu sūcēja lietošanas rokasgrāmatu.

Kad putekļu sūcējs būs reģistrēts darbarīkam, putekļu sūcējs automātiski darbosies kopā ar darbarīka pārslēgšanas darbību.

1. Uzstādiet bezvadu ierīci darbarīkam.
2. Putekļu sūcēja šļūteni savienojiet ar darbarīku.
▶ **Att.30**
3. Gaidstāves slēdzi uz putekļu sūcēja pārslēdziet pozīcijā „AUTO”.
▶ **Att.31:** 1. Gaidstāves slēdzis
4. Uz mirkli piespiediet bezvadu sistēmas aktivizēšanas pogu uz darbarīka. Bezvadu sistēmas aktivizēšanas lampiņa iemirgosies zilā krāsā.
▶ **Att.32:** 1. Bezvadu sistēmas aktivizēšanas pogu 2. Bezvadu sistēmas aktivizēšanas lampiņa

5. Nospiediet darbarīka slēdža mēlīti. Pārbaudiet, vai putekļu sūcējs darbojas, kamēr slēdža mēlīte ir nospiesta.

Lai apturētu putekļu sūcēja bezvadu sistēmas aktivizēšanu, nospiediet bezvadu sistēmas aktivizēšanas pogu uz darbarīka.

PIEZĪME: Bezvadu sistēmas aktivizēšanas lampiņa uz darbarīka beigs mirgot zilā krāsā, kad darbarīks bezdarbībā būs bijis 2 stundas. Šajā gadījumā gaidstāves slēdzi uz putekļu sūcēja pārslēdziet pozīcijā „AUTO” un atkal nospiediet bezvadu sistēmas aktivizēšanas pogu uz darbarīka.

PIEZĪME: Putekļu sūcējs ieslēdzas/izslēdzas ar aizkavi. Kad putekļu sūcējs konstatē darbarīka pārslēgšanas darbību, rodas laika nobīde.



PIEZĪME: Atrašanās vietas un apkārtējo apstākļu dēļ var atšķirties bezvadu ierīces signāla uztveršanas attālumus.

PIEZĪME: Kad pie viena putekļu sūcēja pieslēgti divi vai vairāki darbarīki, putekļu sūcējs var sākt darboties pat tad, ja nenospiež slēdža mēlīti, jo bezvadu sistēmas aktivizēšanas funkciju izmanto cits lietotājs.

Bezvadu sistēmas aktivizēšanas lampiņas statusa apraksts

► Att.33: 1. Bezvadu sistēmas aktivizēšanas lampiņa

Bezvadu sistēmas aktivizēšanas lampiņa rāda bezvadu sistēmas aktivizēšanas funkcijas statusu. Lampiņas statusa nozīme norādīta tabulā.

Statuss	Bezvadu sistēmas aktivizēšanas lampiņa				Apraksts
	Krāsa	 Deg	 Mirgo	Ilgums	
Gaidstāve	Zila	<input checked="" type="checkbox"/>		2 stundas	Putekļu sūcēja bezvadu sistēmas aktivizēšana ir iespējama. Kad darbarīks bezdarbībā būs bijis 2 stundas, lampiņa izslēgsies automātiski.
		<input type="checkbox"/>		Kad darbarīks darbojas.	Putekļu sūcēja bezvadu sistēmas aktivizēšana ir iespējama, darbarīks darbojas.
Darbarīka reģistrācija	Zaļa	<input checked="" type="checkbox"/>		20 sekundes	Sistēma ir gatava darbarīka reģistrācijai. Tiek gaidīta putekļu sūcēja reģistrācija.
		<input type="checkbox"/>		2 sekundes	Darbarīka reģistrācija ir pabeigta. Bezvadu sistēmas aktivizēšanas lampiņa sāks mirgot zilā krāsā.
Darbarīka reģistrācijas atcelšana	Sarkana	<input checked="" type="checkbox"/>		20 sekundes	Sistēma ir gatava darbarīka reģistrācijas atcelšanai. Tiek gaidīta reģistrācijas atcelšana no putekļu sūcēja puses.
		<input type="checkbox"/>		2 sekundes	Darbarīka reģistrācijas atcelšana ir pabeigta. Bezvadu sistēmas aktivizēšanas lampiņa sāks mirgot zilā krāsā.
Cits	Sarkana	<input type="checkbox"/>		3 sekundes	Bezvadu ierīce saņem strāvu, sāk darboties bezvadu sistēmas aktivizēšanas funkcija.
	Nedeg	-		-	Putekļu sūcēja bezvadu sistēmas aktivizēšana ir apturēta.

Darbarīka reģistrācijas atcelšana putekļu sūcējam

Atceļot darbarīka reģistrāciju putekļu sūcējam, jārikojas šādi.

1. Putekļu sūcējā un darbarīkā ielieciet akumulatorus.
2. Gaidstāves slēdzi uz putekļu sūcēja pārslēdziet pozīcijā „AUTO”.
► **Att.34: 1.** Gaidstāves slēdzis
3. Nospiediet bezvadu sistēmas aktivizēšanas pogu uz putekļu sūcēja un turiet 6 sekundes. Bezvadu sistēmas aktivizēšanas lampiņa nomirgo zaļā krāsā un tad kļūst sarkana. Pēc tam tādā pašā veidā nospiediet bezvadu sistēmas aktivizēšanas pogu uz darbarīka.
► **Att.35: 1.** Bezvadu sistēmas aktivizēšanas poga
2. Bezvadu sistēmas aktivizēšanas lampiņa

Ja atcelšana notikusi veiksmīgi, bezvadu sistēmas aktivizēšanas lampiņas 2 sekundes degs sarkanā krāsā un sāks mirgot zilā krāsā.

PIEZĪME: Bezvadu sistēmas aktivizēšanas lampiņas sarkanā krāsā beidz mirgot pēc 20 sekundēm. Kamēr uz putekļu sūcēja mirgo bezvadu sistēmas aktivizēšanas lampiņa, nospiediet bezvadu sistēmas aktivizēšanas pogu uz darbarīka. Ja bezvadu sistēmas aktivizēšanas lampiņa nemirgo sarkanā krāsā, uz mirkli piespiediet un atkal paturiet nospiestu bezvadu sistēmas aktivizēšanas pogu.

Traucējummeklēšana bezvadu sistēmas aktivizēšanas funkcijai

Pirms nodošanas remontā vispirms veiciet pārbaudi pats. Ja konstatējat kļūmi, kas nav aprakstīta rokasgrāmātā, nemēģiniet darbarīku izjaukt. Dodieties uz Makita pilnvarotu apkopes centru un remontam vienmēr izmantojiet tikai Makita rezerves daļas.

Neatbilstošas darbības stāvoklis	Iespējamais iemesls (kļūme)	Risinājums
Bezvadu sistēmas aktivizēšanas lampiņa neiedegas/nemirgo.	Bezvadu ierīce darbarīkā nav uzstādīta. Bezvadu ierīce darbarīkā ir uzstādīta nepareizi.	Uzstādiet bezvadu ierīci pareizi.
	Bezvadu ierīces izvads un/vai atvere ir netīra.	Uzmanīgi noslaukiet putekļus un netrumus no bezvadu ierīces izvada un izīriet atveri.
	Bezvadu sistēmas aktivizēšanas pogu uz darbarīka nav nospiesta.	Uz mirkli piespiediet bezvadu sistēmas aktivizēšanas pogu uz darbarīka.
	Gaidstāves slēdzis uz putekļu sūcēja nav ieslēgts pozīcijā „AUTO”.	Gaidstāves slēdzi uz putekļu sūcēja pārslēdziet pozīcijā „AUTO”.
	Nav strāvas padeves	Pieslēdziet strāvas padevi darbarīkam un putekļu sūcējam.
Neizdodas veiksmīgi pabeigt darbarīka reģistrāciju/darbarīka reģistrācijas atcelšanu.	Bezvadu ierīce darbarīkā nav uzstādīta. Bezvadu ierīce darbarīkā ir uzstādīta nepareizi.	Uzstādiet bezvadu ierīci pareizi.
	Bezvadu ierīces izvads un/vai atvere ir netīra.	Uzmanīgi noslaukiet putekļus un netrumus no bezvadu ierīces izvada un izīriet atveri.
	Gaidstāves slēdzis uz putekļu sūcēja nav ieslēgts pozīcijā „AUTO”.	Gaidstāves slēdzi uz putekļu sūcēja pārslēdziet pozīcijā „AUTO”.
	Nav strāvas padeves	Pieslēdziet strāvas padevi darbarīkam un putekļu sūcējam.
	Nepareiza darbība	Uz mirkli piespiediet bezvadu sistēmas aktivizēšanas pogu un atkal veiciet darbarīka reģistrācijas/atcelšanas procedūru.
	Darbarīks un putekļu sūcējs atrodas tālu viens no otra (ārpus signāla uztveršanas zonas).	Darbarīku un putekļu sūcēju novietojiet tuvāk vienu otram. Maksimālais signāla uztveršanas attālums ir apmēram 10 m, taču apstākļu ietekmē tas var atšķirties.
	Pirms darbarīka reģistrācijas/atcelšanas pabeigšanas - slēdža mēlīte uz darbarīka ir nospiesta vai - ieslēgšanas pogu uz putekļu sūcēja ir ieslēgta.	Uz mirkli piespiediet bezvadu sistēmas aktivizēšanas pogu un atkal veiciet darbarīka reģistrācijas/atcelšanas procedūru.
	Darbarīka reģistrācijas procedūra darbarīkam vai putekļu sūcējam nav pabeigta.	Vienlaikus veiciet darbarīka reģistrācijas procedūru gan darbarīkam, gan putekļu sūcējam.
	Radio traucējumi no citām iekārtām, kas ģenerē ļoti intensīvus radio viļņus.	Darbarīku un putekļu sūcēju neturiet tādu iekārtu tuvumā kā bezvadu tehnoloģiju (Wi-Fi) ierīces un mikroviļņu krāsnis.
	Putekļu sūcējs nedarbojas kopā ar darbarīka pārslēgšanas darbību.	Bezvadu ierīce darbarīkā nav uzstādīta. Bezvadu ierīce darbarīkā ir uzstādīta nepareizi.
Bezvadu ierīces izvads un/vai atvere ir netīra.		Uzmanīgi noslaukiet putekļus un netrumus no bezvadu ierīces izvada un izīriet atveri.
Bezvadu sistēmas aktivizēšanas pogu uz darbarīka nav nospiesta.		Uz mirkli piespiediet bezvadu sistēmas aktivizēšanas pogu un pārliecinieties, ka bezvadu sistēmas lampiņa mirgo zilā krāsā.
Gaidstāves slēdzis uz putekļu sūcēja nav ieslēgts pozīcijā „AUTO”.		Gaidstāves slēdzi uz putekļu sūcēja pārslēdziet pozīcijā „AUTO”.
Pie putekļu sūcēja ir pieslēgti vairāk nekā 10 darbarīki.		Atkārtoti reģistrējiet darbarīku. Ja putekļu sūcējam reģistrēti vairāk nekā 10 darbarīki, automātiski tiks atslēgts visvienāks reģistrētais darbarīks.
Visu reģistrēto darbarīku iestatījumi ir izdzēsti no putekļu sūcēja.		Atkārtoti reģistrējiet darbarīku.
Nav strāvas padeves		Pieslēdziet strāvas padevi darbarīkam un putekļu sūcējam.
Darbarīks un putekļu sūcējs atrodas tālu viens no otra (ārpus signāla uztveršanas zonas).		Darbarīku un putekļu sūcēju novietojiet tuvāk vienu pie otra. Maksimālais signāla uztveršanas attālums ir apmēram 10 m, taču apstākļu ietekmē tas var atšķirties.
Radio traucējumi no citām iekārtām, kas ģenerē ļoti intensīvus radio viļņus.		Darbarīku un putekļu sūcēju neturiet tādu iekārtu tuvumā kā bezvadu tehnoloģiju (Wi-Fi) ierīces un mikroviļņu krāsnis.
Putekļu sūcējs darbojas, lai gan nav nospiesta darbarīka slēdža mēlīte.		Putekļu sūcēja bezvadu sistēmas aktivizēšanas funkciju saviem darbarīkiem izmanto citi lietotāji.

APKOPE

⚠UZMANĪBU: Pirms darbarīka pārbaudes vai apkopes vienmēr pārlecieties, ka darbarīks ir izslēgts un akumulatora kasetne ir izņemta.

IEVĒRĪBAI: Nekad neizmantojiet gāzoliņu, benzīnu, atšķaidītāju, spirtu vai līdzīgus šķidrumus. Tas var radīt izbalēšanu, deformāciju vai plaisas.

Lai saglabātu izstrādājuma DROŠU un UZTICAMU darbību, remontdarbus, apkopi un regulēšanu uzticiet veikt tikai Makita pilnvarotam vai rūpnīcas apkopes centram, un vienmēr izmantojiet tikai Makita rezerves daļas.

Pēc lietošanas

Periodiski noslaukiet darbarīku ar sausu drānu vai ziepjūdenī viegli samitrinātu drānu.

PAPILDU PIEDERUMI

⚠UZMANĪBU: Šādi piederumi un papildierīces tiek ieteiktas lietošanai ar šajā rokasgrāmatā aprakstīto Makita darbarīku. Izmantojot citus piederumus vai papildierīces, var tikt radīta trauma gūšanas bīstamība. Piederumu vai papildierīci izmantojiet tikai paredzētajam mērķim.

Ja jums vajadzīga palīdzība vai precīzāka informācija par šiem piederumiem, vērsieties savā tuvākajā Makita apkopes centrā.

- Abrazīvais papīrs (ar iepriekš izdurtiem caurumiem)
- Liplentes stiprinājuma veida abrazīvais papīrs
- Caursitņa plāksne
- Atbalsta paliktnis (lietošanai kopā ar liplentes stiprinājuma veida abrazīvo papīru)
- Atbalsta paliktnis (lietošanai kopā ar parasto abrazīvo papīru)
- Putekļu maiss
- Putekļu ieliktnis
- Filtrs
- Šļūtene
- Bezvadu ierīce (Tikai modelim DBO381)
- Akumulatora aizsargs
- Makita oriģinālais akumulators un lādētājs

PIEZĪME: Daži sarakstā norādītie izstrādājumi var būt iekļauti instrumenta komplektācijā kā standarta piederumi. Tie dažādās valstīs var būt atšķirīgi.

SPECIFIKACIJOS

Modelis:	DBO380	DBO381
Pado dydis	92 mm x 185 mm	
Šlifavimo popieriaus dydis	93 mm x 228 mm	
Sūkių per minutę	Didelis	12 000 min ⁻¹
	Vidutinis	8 000 min ⁻¹
	Mažas	4 000 min ⁻¹
Bendrasis ilgis (su priekine rankena)	336 mm	
Vardinė įtampa	Nuol. sr. 18 V	
Grynasis svoris	1,9 - 2,2 kg	

- Atliekame tęstinus tyrimus ir nuolatos tobuliname savo gaminius, todėl čia pateikiamos specifikacijos gali būti keičiamos be įspėjimo.
- Įvairiose šalyse specifikacijos ir akumulatoriaus kasetė gali skirtis.
- Svoris gali priklausyti nuo priedo (-ų), įskaitant akumulatoriaus kasetę. Lengviausias ir sunkiausias deriniai pagal EPTA 2014 m. sausio mėn. procedūrą yra parodyti lentelėje.

Tinkama akumulatoriaus kasetė ir (arba) įkroviklis

Akumulatoriaus kasetė	BL1815N / BL1820B / BL1830B / BL1840B / BL1850B / BL1860B
Įkroviklis	DC18RC / DC18RD / DC18RE / DC18SD / DC18SE / DC18SF / DC18SH

- Atsižvelgiant į gyvenamosios vietos regioną, kai kurios pirmiau nurodytos akumulatoriaus kasetės ir įkrovikliai gali būti neprieinami.

⚠️ JSPĖJIMAS: Naudokite tik akumulatoriaus kasetes ir įkroviklius, kurie nurodyti anksčiau. Naudojant bet kurias kitas akumulatoriaus kasetes ir įkroviklius, gali kilti sužeidimo ir gaisro pavojus.

Numatytieji naudojimo paskirtis

Šis įrankis skirtas didelio paviršiaus ploto medienai, plastmasei ir metalinėms medžiagoms, taip pat dažytiems paviršiams šlifuoti.

Triukšmas

Įprastas triukšmo A lygis, nustatytas pagal EN62841-2-4:

Modelis DBO380

Garso slėgio lygis (L_{pA}): 72 dB (A)

Paklaida (K): 3 dB (A)

Modelis DBO381

Garso slėgio lygis (L_{pA}): 72 dB (A)

Paklaida (K): 3 dB (A)

Dirbant triukšmo lygis gali viršyti 80 dB (A).

PASTABA: Paskelbta (-os) triukšmo reikšmė (-ės) nustatyta (-os) pagal standartinį testavimo metodą ir jį galima naudoti vienam įrankiui palyginti su kitu.

PASTABA: Paskelbta (-os) triukšmo reikšmė (-ės) taip pat gali būti naudojama (-os) norint preliminariai įvertinti triukšmo poveikį.

⚠️ JSPĖJIMAS: Dėvėkite ausų apsaugą.

⚠️ JSPĖJIMAS: Faktiškai naudojant elektrinį įrankį, keliamo triukšmo dydis gali skirtis nuo paskelbtos (-ų) reikšmės (-ių), priklausomai nuo būdų, kuriais yra naudojamas šis įrankis, ir ypač nuo to, kokio tipo ruošinys apdirbamas.

⚠️ JSPĖJIMAS: Siekdami apsaugoti operatorių, būtina įvertinkite saugos priemones, remdamiesi vibracijos poveikio įvertinimu esant faktinėms naudojimo sąlygoms (atsižvelgdami į visas darbo ciklo dalis, pavyzdžiui, ne tik kiek laiko įrankis veikia, bet ir kiek kartų jis yra išjungiamas bei kai jis veikia be apkrovų).

Vibracija

Vibracijos bendroji vertė (triašio vektorius suma) nustatyta pagal EN62841-2-4 standartą:

Modelis DBO380

Darbo režimas: metalo plokštės šlifavimas

Vibracijos emisija (a_{hv}): 3,6 m/s²

Paklaida (K): 1,5 m/s²

Modelis DBO381

Darbo režimas: metalo plokštės šlifavimas

Vibracijos emisija (a_{hv}): 3,6 m/s²

Paklaida (K): 1,5 m/s²

PASTABA: Paskelbta (-os) vibracijos bendroji (-osios) reikšmė (-ės) nustatyta (-os) pagal standartinį testavimo metodą ir jį galima naudoti vienam įrankiui palyginti su kitu.

PASTABA: Paskelbta (-os) vibracijos bendroji (-osios) reikšmė (-ės) taip pat gali būti naudojama (-os) norint preliminariai įvertinti vibracijos poveikį.

▲ISPĖJIMAS: Faktiškai naudojant elektrinį įrankį, keliamos vibracijos dydis gali skirtis nuo paskelbtos (-ų) reikšmės (-ių), priklausomai nuo būdų, kuriais yra naudojamas šis įrankis, ir ypač nuo to, kokio tipo ruošinys apdirbamas.

▲ISPĖJIMAS: Siekdami apsaugoti operatorių, būtina įvertinkite saugos priemones, remdamiės vibracijos poveikio įvertinimu esant faktinėms naudojimo sąlygoms (atsižvelgdami į visas darbo ciklo dalis, pavyzdžiui, ne tik kiek laiko įrankis veikia, bet ir kiek kartų jis yra išjungiamas bei kai jis veikia be apkrūvų).

EB atitikties deklaracija

Tik Europos šalims

EB atitikties deklaracija yra pridedama kaip šio instrukcijos vadovo A priedas.

SAUGOS ĮSPĖJIMAI

Bendrieji įspėjimai dirbant elektriniais įrankiais

▲ISPĖJIMAS: Perskaitykite visus saugos įspėjimus, instrukcijas, iliustracijas ir techninius duomenis, pateiktus kartu su šiuo elektriniu įrankiu. Nesilaikant visų toliau išvardytų instrukcijų galima patirti elektros smūgį, gali kilti gaisras ir (arba) galima sunkiai susižaloti.

Išsaugokite visus įspėjimus ir instrukcijas, kad galėtumėte jas peržiūrėti ateityje.

Terminas „elektrinis įrankis“ pateiktuose įspėjimuose reiškia į maitinimo tinklą jungiamą (laidinį) elektrinį įrankį arba akumuliatoriaus maitinamą (belaidį) elektrinį įrankį.

Saugos įspėjimai dėl šlifavimo naudojimo

1. Būtinai naudokite apsauginius akinius. Įprastiniai akiniai ar akiniai nuo saulės NĖRA apsauginiai akiniai.
2. Tvirtai laikykite įrankį.
3. Nepalikite veikiančio įrankio. Naudokite įrankį tik laikydami rankomis.
4. Šis įrankis nėra atsparus vandeniui, todėl nenaudokite vandens ant ruošinio paviršiaus.
5. Atlikdami šlifavimo darbus, tinkamai vėdinkite darbo patalpą.

6. Kai kuriuose medžiogose yra cheminių medžiagų, kurios gali būti nuodingos. Saugokitės, kad neįkvėptumėte dulkių ir nesiliestumėte oda. Laikykites medžiagų tiekėjo saugos duomenų.
7. Naudojant šį įrankį tam tikriems gaminiams, dažams ir medžiui šlifuoti, pavojų operatoriui gali kelti dulksės, kuriose yra pavojingų medžiagų. Naudokite tinkamą kvėpavimo takus apsaugančią apsaugą.
8. Prieš naudodami patikrinkite, ar diskas nėra įskilęs ar sulūžęs. Įskilimai ir lūžimai gali sužeisti.
9. Dirbdami įrankiu, atkreipkite dėmesį į savo stovėseną ir pusiausvyrą. Jei naudojate įrankį aukštai, įsitikinkite, ar apačioje nėra žmonių.

SAUGOKITE ŠIAS INSTRUKCIJAS.

▲ISPĖJIMAS: NELEISKITE, kad patogumas ir gaminio pažinimas (įgyjamas pakartotinai naudojant) susilpnintų griežtą saugos taisyklių, taisyklių šiam gaminiui, laikymąsi. Dėl NETINKAMO NAUDOJIMO arba saugos taisyklių, kurios pateiktos šioje instrukcijoje, nesilaikymo galima rimtai susižeisti.

Svarbios saugos instrukcijos, taikomos akumuliatoriaus kasetei

1. Prieš naudodami akumuliatoriaus kasetę, perskaitykite visas instrukcijas ir perspėjimus ant (1) akumuliatorių įkroviklio, (2) akumuliatorių ir (3) akumuliatorių naudojančio gaminio.
2. Neardykite ir negadinkite akumuliatoriaus kasetės. Dėl to ji gali užsidegti, per daug įkaisti arba sprogti.
3. Jei įrankio darbo laikas žymiai sutrumpėjo, nedelsdami nutraukite darbą su įrankiu. Tai gali kelti perkaitimo, nudegimų ar net sprogmą pavojų.
4. Jei elektrolitas pateko į akis, plaukite jas tyru vandeniu ir nedelsdami kreipkitės į gydytoją. Gali kilti regėjimo praradimo pavojus.
5. Neužtrumpinkite akumuliatoriaus kasetės:
 - (1) Nelveskite kontaktų degiomis medžiagomis.
 - (2) Venkite laikyti akumuliatoriaus kasetę kartu su kitais metaliniais daiktais, pavyzdžiui, vinimis, monetomis ir pan.
 - (3) Saugokite akumuliatoriaus kasetę nuo vandens ir lietaus.Trumpasis jungimas akumuliatoriuje gali sukelti stiprią srovę, perkaitimą, galimus nudegimus ar net akumuliatoriaus gedimą.
6. Nelaikykite ir nenaudokite įrankio ir akumuliatoriaus kasetės vietose, kur temperatūra gali pasiekti ar viršyti 50 °C (122 °F).
7. Nedeginkite akumuliatoriaus kasetės, net jei yra stipriai pažeista ar visiškai susidėvėjusi. Ugnyje akumuliatoriaus kasetė gali sprogti.
8. Akumuliatoriaus kasetės nekalkite, nepjaustykite ir nemėtykite ir taip pat į ją netrankykite kietu daiktu. Taip elgiantis, ji gali užsidegti, per daug įkaisti arba sprogti.
9. Nenaudokite pažeisto akumuliatoriaus.

10. Įdėdami ličio jonų akumuliatorių taikomi Pavojingų prekių teisės akto reikalavimai. Komerčinis transportas, pvz., trečiųjų šalių, prekių vežimo atstovų, turi laikytis specialaus reikalavimo ant pakuočių ir ženklavimo. Norėdami paruošti siūstina prekę, pasitarkite su pavojingų medžiagų specialistu. Be to, laikykitės galimai išsamesnių nacionalinių reglamentų. Užklijuokite juosta arba padenkite atvirus kontaktus ir supakuokite akumuliatorių taip, kad ji pakuočioje nejudėtų.
11. Kai išmetate akumuliatoriaus kasetę, išimkite ją iš įrankio ir išmeskite saugioje vietoje. Vadovaukitės vietos reglamentais dėl akumuliatorių išmetimo.
12. Baterijas naudokite tik su „Makita“ nurodytais gaminiais. Baterijas įdėjus į netinkamus gaminius gali kilti gaisras, gaminyje pernelyg kaisti, kilti sprogingos arba pratekėti elektrolitais.
13. Jei įrankis bus ilgą laiką nenaudojamas, akumuliatorių būtina išimti iš įrankio.
14. Darbo metu ir po akumuliatoriaus kasetę gali būti įkaitusi ir dėl to nudeginti. Įmdami akumuliatoriaus kasetes, būkite atsargūs.
15. Tuojau pat po naudojimo nelieskite įrankio gnybtų, nes jie gali būti įkaitę tiek, kad nudegins.
16. Neleiskite, kad į akumuliatoriaus kasetės gnybtus, angas ir griovelius patektų drožlių, dulkių ar žemių. Dėl to įrankis ar akumuliatoriaus kasetė gali imti prastai veikti ar sugesti.
17. Jeigu įrankis nėra pritaikytas naudoti šalia aukštos įtampos elektros linijų, akumuliatoriaus kasetės nenaudokite šalia aukštos įtampos elektros linijų. Dėl to gali sutrikti įrankio ar akumuliatoriaus kasetės veikimas arba jie gali sugesti.
18. Laikykite akumuliatorių vaikams nepasiekiamoje vietoje.

SAUGOKITE ŠIAS INSTRUKCIJAS.

⚠ PERSPĖJIMAS: Naudokite tik originalų „Makita“ akumuliatorių. Neoriginalaus „Makita“ arba pakeisto akumuliatoriaus naudojimas gali nulėmti gaisrą, asmens sužalojimą ir pažeidimą. Tai taip pat panaikina „Makita“ suteikiamą „Makita“ įrankio ir įkroviklio garantiją.

Patarimai, ką daryti, kad akumuliatorius veiktų kuo ilgiau

1. Pakraukite akumuliatoriaus kasetę prieš ją visiškai išsikraunant. Visuomet nustokite naudoti įrankį ir pakraukite akumuliatoriaus kasetę, kai pastebite, kad įrankio galia sumažėjo.
2. Niekada nekraukite iki galo įkrautos akumuliatoriaus kasetės. Perkraunant trumpėja akumuliatoriaus eksploatacijos laikas.
3. Akumuliatoriaus kasetę kraukite esant kambario temperatūrai 10 - 40 °C. Prieš pradėdami krauti, leiskite įkaitusiai akumuliatoriaus kasetei atvėsti.
4. Kai akumuliatoriaus kasetės nenaudojate, ją išimkite iš įrankio ar įkroviklio.
5. Įkraukite akumuliatoriaus kasetę, jei jos nenaudojate ilgą laiką (ilgiau nei šešis mėnesius).

Svarbios saugos instrukcijos dėl belaidžio bloko

1. Neadyrykite ir nekeiskite belaidžio bloko.
2. Laikykite belaidį bloką vaikams nepasiekiamoje vietoje. Netyčia prarijus reikia nedelsiant kreiptis į medikus.
3. Naudokite belaidį bloką tik su „Makita“ įrankiais.
4. Saugokite belaidį bloką nuo lietaus ir nenaudokite jo esant drėgnoms oro sąlygoms.
5. Nenaudokite belaidžio bloko vietose, kur temperatūra viršija 50 °C.
6. Nenaudokite belaidžio bloko netoli medicinos instrumentų, pavyzdžiui, širdies stimuliatorių.
7. Nenaudokite belaidžio bloko netoli automatišnių prietaisų. Automatiniai prietaisai gali sugesti arba gali įvykti klaida.
8. Nenaudokite belaidžio bloko ten, kur gali padidėti temperatūra arba atsirasti statinis elektros krūvis arba elektrinis triukšmas.
9. Belaidis blokas gali sukurti elektromagnetinius laukus (EML), bet jie naudotojui nekenksmingi.
10. Belaidis blokas yra tikslusis instrumentas. Saugokite belaidį bloką nuo kritimo ir smūgių.
11. Nelieskite belaidžio bloko kontakto plikomis rankomis arba metaliniais įrankiais.
12. Įdėdami belaidį bloką visada išimkite gaminio akumuliatorių.
13. Atidarydami angos dangtelį venkite vietų, kur į ją gali patekti dulkių ir vandens. Anga visada turi būti švari.
14. Belaidį bloką visada dėkite reikiama kryptimi.
15. Per smarkiai nespauskite belaidžio aktyvinimo mygtuko ant belaidžio bloko, nespauskite jo aštriu daiktu.
16. Dirbdami visada uždarykite angos dangtelį.
17. Kai įrankiu tikiamas mašinimas, niekada neimkite belaidžio bloko iš angos. Kitaip belaidis blokas gali sugesti.
18. Nenuimkite lipduko nuo belaidžio bloko.
19. Neklijuokite jokio lipduko ant belaidžio bloko.
20. Nepalikite belaidžio bloko ten, kur gali atsirasti statinis elektros krūvis arba elektrinis triukšmas.
21. Nepalikite belaidžio bloko karštoje vietoje, pavyzdžiui, automobilyje prieš saulę.
22. Nepalikite belaidžio bloko dulketoje ar miltuotoje vietoje arba ten, kur gali atsirasti išdinančiųjų dujų.
23. Nuo staigaus temperatūros pokyčio belaidis blokas gali aprasoti. Nenaudokite belaidžio bloko, kol rasa visiškai nenudžiūvo.
24. Norėdami nuvalyti belaidį bloką, švelniai pavalysite sausa minkšta šluoste. Nenaudokite benzino, skiediklio, laidaus tepalo ir panašių medžiagų.
25. Laikykite belaidį bloką pridėtame dėkle arba nuo statinio krūvio apsaugotoje taroje.
26. Nekiškite į įrankio angą jokių kitų prietaisų, išskyrus „Makita“ belaidį bloką.
27. Nenaudokite įrankio, kurio angos dangtelis pažeistas. Į angą patekęs vanduo, dulkelės ir purvas gali jį sugadinti.
28. Netraukite ir (arba) nesukite angos dangtelio daugiau, nei reikia. Atstatykite dangtelį į vietą, jei jis nukrinta nuo įrankio.
29. Pakeiskite angos dangtelį, jei jo nėra arba jis pažeistas.

SAUGOKITE ŠIAS INSTRUKCIJAS.

VEIKIMO APRAŠYMAS

▲PERSPĖJIMAS: Prieš pradėdami reguliuoti arba tikrinti įrankio veikimą, visuomet būtinai išjunkite įrankį ir išimkite akumuliatoriaus kasetę.

Akumuliatoriaus kasetės uždėjimas ir nuėmimas

▲PERSPĖJIMAS: Prieš įdėdami arba išimdami akumuliatoriaus kasetę, visada išjunkite įrankį.

▲PERSPĖJIMAS: Įdėdami arba išimdami akumuliatoriaus kasetę, tvirtai laikykite įrankį ir akumuliatoriaus kasetę. Jeigu įrankį ir akumuliatoriaus kasetę laikysite netvirtai, jie gali išslysti iš jūsų rankų, todėl įrankis ir akumuliatoriaus kasetė gali būti sugadinti, o naudotojas sužalotas.

- **Pav.1:** 1. Raudonas sandariklis (indikatorius)
2. Mygtukas 3. Akumuliatoriaus kasetė

Jei norite išimti akumuliatoriaus kasetę, ištraukite ją iš įrankio, stumdami mygtuką, esantį kasetės priekyje.

Jei norite įdėti akumuliatoriaus kasetę, ant akumuliatoriaus kasetės esantį liežuvėlį sutapdinkite su korpuse esančiu grioveliu ir įstumkite į jai skirtą vietą. Įstatykite iki pat galo, kad spragtelėdama užsifikuotų. Jeigu matote raudoną sandariklį (indikatorių), kaip parodyta paveikslėlyje, ji nėra visiškai užfiksuota.

▲PERSPĖJIMAS: Akumuliatoriaus kasetę visada įkiškite iki galo, kol nebematysite raudono sandariklio (indikatoriaus) Priešingu atveju ji gali atsitiktinai iškristi iš įrankio ir sužeisti jus arba aplinkinius.

▲PERSPĖJIMAS: Nekiškite akumuliatoriaus kasetės jėga. Jeigu kasetė sunkiai lenda, ją kišate netinkamai.

Akumuliatoriaus saugiklis

Naudokite su įrankiu pateiktą akumuliatoriaus saugiklį, kad apsaugotumėte akumuliatoriaus kasetę.

▲PERSPĖJIMAS: Prieš montuodami ir nuimdami akumuliatoriaus saugiklį, visada išimkite akumuliatoriaus kasetę iš įrankio.

▲PERSPĖJIMAS: Niekada nelaikykite akumuliatoriaus saugiklio rankose, kai nešiojate įrankį iš vienos vietos į kitą arba laikote įrankį, kai jis nenaudojamas.

PASTABA: Akumuliatoriaus saugiklį galima naudoti tik šiems akumuliatorių modeliams: BL1830B / BL1840B / BL1850B / BL1860B.

Likusių akumuliatoriaus galios rodymas

Tik akumuliatoriaus kasetėms su indikatoriumi

► **Pav.2:** 1. Indikatorių lemputės 2. Tikrinimo mygtukas

Paspauskite akumuliatoriaus kasetės tikrinimo mygtuką, kad būtų rodoma likusi akumuliatoriaus energija. Maždaug trims sekundėms užsidegs indikatorių lemputės.

Indikatorių lemputės			Likusi galia
Šviečia	Nešviečia	Blyksi	
			75 - 100 %
			50 - 75 %
			25 - 50 %
			0 - 25 %
			Įkraukite akumuliatorių.
			Galimai įvyko akumuliatoriaus veikimo triktis.

PASTABA: Rodmuo gali šiek tiek skirtis nuo faktinės energijos lygio – tai priklauso nuo naudojimo sąlygų ir aplinkos temperatūros.

PASTABA: Veikiant akumuliatoriaus apsaugos sistemai ims mirksėti pirmoji (toliausiai kairėje) indikatorius lemputė.

Įrankio / akumuliatoriaus apsaugos sistema

Įrankyje įrengta įrankio / akumuliatoriaus apsaugos sistema. Ši sistema automatiškai atjungia variklio maitinimą, kad įrankis ir akumuliatorius ilgiau veiktų. Įrankis automatiškai išsijungs darbo metu esant vienai iš toliau nurodytų įrankio arba akumuliatorius darbo sąlygų:

Apsauga nuo perkrovos

Kai įrankis arba akumuliatorius naudojamas taip, kad neiįprastai padidėja elektros srovė, įrankis automatiškai išsijungia be jokių indikatorių įspėjimų. Tokiu atveju atleiskite įrankio gaiduką ir nutraukite darbą, dėl kurio kilo įrankio perkrova. Tada vėl įjunkite įrankį.

Apsauga nuo perkaitimo

Kai įrankis arba akumuliatorius perkaista, įrankis automatiškai išsijungia. Tokiu atveju, prieš vėl jungdami įrankį, leiskite įrankiui ir akumuliatoriui atvėsti.

Apsauga nuo visiško išsekimo

Kai akumuliatoriaus įkrovos lygis nepakankamas, įrankis automatiškai išsijungia. Tokiu atveju ištraukite akumuliatorių iš įrankio ir įkraukite jį.

Jungiklio veikimas

⚠️ PERSPĖJIMAS: Venkite įjungti įrankį, kai jis padėtas ant ruošinio arba ant darbo stalo. Galima susižaloti arba patirti žalą.

Įrankio įjungimas ir išjungimas

Norėdami įjungti įrankį, paspauskite maitinimo / greičio pasirinkimo mygtuką, esantį pagrindinės rankenos viršuje. Įrankis pradeda veikti didžiausiu sukimosi greičiu. Norėdami sustabdyti arba nutraukti darbą, paspauskite sustabdymo mygtuką.

- **Pav.3:** 1. Maitinimo / greičio pasirinkimo mygtukas
2. Sustabdymo mygtukas 3. Pagrindinė rankena

Įrankio greičio keitimas

Sukimosi greitį galima keisti trimis režimais, t. y. į didelį, vidutinį ir mažą, priklausomai nuo paskirties ir darbinės apkrovos. Norėdami perjungti greičio režimą, paspauskite maitinimo / greičio pasirinkimo mygtuką.

- **Pav.4:** 1. Maitinimo / greičio pasirinkimo mygtukas

Greičio nuostatų lentelė

Greičio lygis	Sūkių per minutę
3 (didelis)	12 000 min ⁻¹ (/min)
2 (vidutinis)	8 000 min ⁻¹ (/min)
1 (mažas)	4 000 min ⁻¹ (/min)

PASTABA: Jeigu įrankiu ilgą laiką be pertraukos dirbama nedideliu greičiu, variklis bus perkrautas ir įrankis suges.

PASTABA: Pasirinkite šlifavimo darbams tinkamą greičio intervalą, kad išvengtumėte perkaitimo ir ruošinio lydymosi. Šlifavimas dideliu sukimosi greičiu gali įkaitinti ruošinį ir išlydyti jį susilietimo vietoje.

Elektroninė funkcija

Įrankyje yra elektroninė funkcija paprastam naudojimui užtikrinti.

Nuolatinis greičio reguliavimas

Ši funkcija užtikrina pastovų sukimosi greitį, kad būtų galima išgauti puikų užbaigimą.

SURINKIMAS

⚠️ PERSPĖJIMAS: Prieš darydami ką nors įrankiui visada patikrinkite, ar įrenginys išjungtas, o akumuliatorių kasetė – nuimta.

Šlifuojamojo popieriaus uždėjimas ir nuėmimas

⚠️ PERSPĖJIMAS: Prieš naudodami visada įsitikinkite, kad šlifuojamojo popieriaus lapas yra patikimai uždėtas. Priešingu atveju šlifujamasis popierius gali atsilaisvinti, būti lengvai nuimamas ir pasislinkti, todėl šlifavimas gali būti netolygus.

Naudojant su įrankiu pateiktą šlifuojamąjį popierių

1. Paspauskite ir laikykite prispaudę spaustuvo svirtelę, esančią priekiniame arba galiniame pado gale, ir nustumkite ją nuo stabdiklio, kad spaustuvas atsilaisvintų iš užfiksuotos padėties.

2. Patraukite spaustuvo svirtelę kiek įmanoma į išorę, kad tarp spaustuvo ir šoninės šlifavimo pagrindo sienelės atsirastų tarpas, į kurį būtų galima įstatyti vieną šlifuojamojo popieriaus galą.

- **Pav.5:** 1. Spaustuvo svirtelė 2. Stabdiklis
3. Spaustuvas 4. Šlifavimo pagrindas
5. Padas

3. Šlifuojamojo popieriaus lapą uždėkite ant pado, sulygiuodami dulkių siurbimo skylės popierių su skylėmis pade.

► **Pav.6:** 1. Šlifujamasis popierius 2. Padas 3. Dulkių siurbimo skylė

4. Įkiškite vieną šlifujamojo popieriaus galą į tarpą tarp spaustuvo ir šlifavimo pagrindo.

5. Nustatykite spaustuvo svirtelę atgal į užrakintą padėtį, kad šlifujamojo popieriaus galas būtų tvirtai užspaustas.

6. Atlaisvinkite spaustuva kitame gale ir paruoškite kitą šlifujamojo popieriaus galą užspausti.

7. Išlaikykite tinkamą šlifujamojo popieriaus įtempimą, tada nustatykite spaustuvo svirtelę kitame gale į užrakintą padėtį.

- **Pav.7:** 1. Šlifujamasis popierius 2. Spaustuvas
3. Šlifavimo pagrindas 4. Spaustuvo svirtelė
5. Stabdiklis

8. Norėdami išimti šlifujamąjį popierių, atlaisvinkite abiejų galų spaustukus ir nuimkite popierių nuo pado.

Naudojant rinkoje esantį šlifujamąjį popierių

1. Šlifujamojo popieriaus lapą supjaustykite į tinkamą dydį.

► **Pav.8:** 1. Šlifujamasis popierius 2. Padas

2. Paspauskite ir laikykite prispaudę spaustuvo svirtelę, esančią priekiniame arba galiniame pado gale, ir nustumkite ją nuo stabdiklio, kad spaustuvas atsilaisvintų iš užfiksuotos padėties.

3. Patraukite spaustuvo svirtelę kiek įmanoma į išorę, kad tarp spaustuvo ir šoninės šlifavimo pagrindo sienelės atsirastų tarpas, į kurį būtų galima įstatyti vieną šlifujamojo popieriaus galą.

4. Įkiškite vieną šlifujamojo popieriaus galą į tarpą tarp spaustuvo ir šlifavimo pagrindo.

5. Uždėkite šlifujamąjį popierių taip, kad jis gerai uždengtų pado paviršių.

6. Nustatykite spaustuvo svirtelę atgal į užrakintą padėtį, kad šlifujamojo popieriaus galas būtų tvirtai užspaustas.

7. Atlaisvinkite spaustuva kitame gale ir paruoškite kitą šlifujamojo popieriaus galą užspausti.

8. Išlaikykite tinkamą šlifujamojo popieriaus įtempimą, tada nustatykite spaustuvo svirtelę kitame gale į užrakintą padėtį.

- **Pav.9:** 1. Šlifujamasis popierius 2. Spaustuvas
3. Šlifavimo pagrindas 4. Spaustuvo svirtelė
5. Stabdiklis

9. Uždenkite šlifuojamąjį popierių dengiamąja plokšte taip, kad jos padėties nustatymo stabdikliai, esantys greta kampe, gerai priglustų prie dviejų šoninių pado ir šlifavimo pagrindo kraštų.

► **Pav.10:** 1. Šlifuojamasis popierius 2. Dengiamoji plokštė 3. Padėties nustatymo stabdikliai 4. Padas 5. Šlifavimo pagrindas

10. Stumkite dengiamąją plokštę virš šlifuojamojo popieriaus, kad padarytumėte dulkių siurbimo skylės.

11. Norėdami išimti šlifuojamąjį popierių, atlaisvinkite abiejų galų spaustukus ir nuimkite popierių nuo pado.

Naudojant šlifuojamąjį popierių su lipdukais

Pasirenkamasis priedas

▲ PERSPĖJIMAS: Tinkamai ir tvirtai įdėkite prilimpantį padą. Atsilaisvinęs priedas išsibalansuos ir sukels pernelyg didelę vibraciją, dėl to galima prarasti kontrolę.

▲ PERSPĖJIMAS: Įsitikinkite, kad prilimpantys padas ir šlifuojamasis popierius būtų sulygiuoti ir gerai pritvirtinti.

▲ PERSPĖJIMAS: Naudokite tik šlifuojamąjį popierių su lipdukais. Niekada nenaudokite slėgiui jautraus šlifuojamojo popieriaus.

1. Atlaisvinkite ir išsukite keturis varžtus, kuriais pritvirtintas padas prie šlifavimo pagrindo.
2. Standartinį šlifavimo padą pakeiskite pasirenkamu padu su lipdukais.
3. Tvirtai užveržkite varžtus, kad padas su lipdukais būtų užtvirtintas.
► **Pav.11:** 1. Varžtai 2. Šlifavimo pagrindas 3. Padas
4. Nuo prilimpančio pado nuvalykite visus nešvarumus ir pašalines medžiagas.
5. Pasirenkamo prilimpančio šlifuojamojo popieriaus lapą uždėkite ant pado, sulygiuodami dulkių siurbimo skylės popieriuje su skylėmis pade.
► **Pav.12:** 1. Šlifuojamasis popierius 2. Kilimėlis 3. Dulkių siurbimo skylės
6. Jeigu norite nuimti šlifuojamąjį popierių, plėškite jį nuo krašto.

▲ PERSPĖJIMAS: Keičiant padą sandarinimo žiedas gali išlįsti iš šlifavimo pagrindo. Prieš montuodami pasirenkamą padą, įstatykite sandarinimo žiedą atgal į apskritus griovelius, esančius aplink pagrindo centrą.

► **Pav.13:** 1. Sandarinimo žiedas 2. Šlifavimo pagrindas 3. Apskriti grioveliai

Dulkių maišelio įdėjimas ir išėmimas

Pasirenkamasis priedas

Pritvirtinkite dulkių maišelį prie variklio korpuso galinėje dalyje esančio kūginės dulkių išleidžiamosios angos. Maišelio dulkių įleidimo angą tvirtai užmaukite ant dulkių išleidžiamosios angos, kad darbo metu maišelis nenukristų.

► **Pav.14:** 1. Dulkių išleidžiamoji anga 2. Dulkių įleidžiamoji anga 3. Dulkių maišelis

PASTABA: Įsitikinkite, kad dulkių maišelis būtų pritvirtintas taip, jog užtrauktukas būtų nukreiptas žemyn.

PASTABA: Norėdami užtikrinti optimalų dulkių surinkimą, ištuštinkite dulkių maišelį, kai jis prisipildys maždaug iki pusės savo talpos.

Išimkite dulkių maišelį iš įrankio ir atitraukite užtrauktuką. Tada švelniai pakratykite arba pabaksnokite dulkių maišelį, kad jis išsytuštintų.

Dulkių dėžės įdėjimas ir išėmimas

Pasirenkamasis priedas

Pritvirtinkite dulkių dėžę prie variklio korpuso galinėje dalyje esančios kūginės dulkių išleidžiamosios angos. Dulkių ištraukimo antgalį tvirtai užmaukite ant dulkių išleidžiamosios angos, kad darbo metu jis nenukristų.

► **Pav.15:** 1. Dulkių išleidžiamoji anga 2. Dulkių ištraukimo antgalis 3. Dulkių dėžė

PASTABA: Norėdami užtikrinti optimalų dulkių surinkimą, ištuštinkite dulkių dėžę, kai ji prisipildo maždaug iki pusės savo talpos.

1. Nuimkite nuo įrankio dulkių dėžę.
2. Nuspausdami ir laikydami abiejose dėžės pusėse esančius fiksuojančius, nuimkite dulkių ištraukimo antgalį nuo dėžės.
3. Švelniai pakratykite arba pabaksnokite dulkių dėžę, kad ji išsytuštintų.

Filtro pakeitimas

PASTABA: Surinkdami komponentus atkreipkite dėmesį, kad logotipai ant dulkių dėžės, filtro ir dulkių ištraukimo antgalio būtų nukreipti viena kryptimi.

1. Nuimkite nuo įrankio dulkių dėžę.
2. Nuspausdami ir laikydami abiejose dėžės pusėse esančius fiksuojančius, nuimkite dulkių ištraukimo antgalį nuo dėžės.
► **Pav.16:** 1. Dulkių ištraukimo antgalis 2. Dulkių dėžė 3. Fiksavimo skląstis
3. Laikykite vidinį viršutinį kartoninės angos kraštą ir patraukite jį žemyn, kad išorinis viršutinis kartoninės angos kraštas atsikabintų nuo viršutinės užkabinimo auselės, esančios ant dulkių dėžės briaunos.
4. Išimkite filtrą iš dulkių dėžės, traukdami išorinį apatinį kartoninės angos kraštą nuo apatinės užkabinimo auselės.
► **Pav.17:** 1. Filtras 2. Kartoninė anga 3. Viršutinė užkabinimo auselė 4. Apatinė užkabinimo auselė 5. Dulkių dėžė
5. Pakeiskite filtrą, įkišdami apatinį kartono angos kraštą į apatinę užkabinimo auselę, ir stumkite viršutinį kraštą į vidų, kol jis užsifiksuos viršutinėje užkabinimo auselėje.
► **Pav.18:** 1. Filtras 2. Kartoninė anga 3. Viršutinė užkabinimo auselė 4. Apatinė užkabinimo auselė 5. Dulkių dėžė
6. Nuspausdami ir laikydami abiejose dulkių dėžės pusėse esančius fiksuojančius, įstatykite dulkių ištraukimo antgalį.
► **Pav.19:** 1. Dulkių ištraukimo antgalis 2. Dulkių dėžė 3. Fiksavimo skląstis

Priekinės rankenos nuėmimas ir uždėjimas

▲ PERSPĖJIMAS: Sumontavę patraukite priekinę rankeną, kad patikrintumėte, ar ji tvirtai pritvirtinta.

PASTABA: Įsitinkinkite, kad priekinė rankena iki galo įstumta į lizdo galą, ir sukdami priekinę rankeną laikykite ją ten, kur ji yra. Kitaip galite sugadinti įrankį.

Nuėmus nuimamą priekinę rankeną, galima efektyviai šlifuoti siaurose, uždaroje ir sunkiai pasiekiamose vietose.

Nuėmimas

Pastumkite ir tvirtai laikykite priekinę rankeną nukreiptą link variklio korpuso, pasukite ją 90 laipsnių kampu kairėn arba dešinėn. Tada patraukite ją nuo įrankio.

Montavimas

Įkiškite priekinės rankenos galą į variklio korpuso lizdą, sulygiuodami rankenos galo kontūrus su lizdo kontūrais. Pastumkite ir tvirtai laikykite priekinę rankeną nukreiptą korpuso link, pasukite ją 90 laipsnių kampu, kad suėmimo paviršius būtų nukreiptas į viršų.

► **Pav.20:** 1. Priekinė rankena 2. Lizdas 3. Variklio korpusas 4. Suėmimo paviršius

Prijungimas prie vakuuminio valymo įrenginio

Pasirenkamasis priedas

Norėdami, kad šlifavimas vyktų švariai, prie savo įrankio prijunkite „Makita“ vakuuminį valymo įrenginį. Prijungimui naudokite pasirenkamą 28 mm žarną arba kartu su valymo įrenginiu pateikiamų 22 priekinių antgalių ir žarnos derinį.

► **Pav.21:** 1. Dulkių išleidžiamoji anga 2. Priekiniai antgaliai 3. Žarna 4. Vakuuminis valymo įrenginys

NAUDOJIMAS

Šlifavimo darbai

▲ PERSPĖJIMAS: Niekada nenaudokite įrankio be šlifuojamojo popieriaus. Galite rimtai sugadinti padą.

▲ PERSPĖJIMAS: Niekada nespauskite įrankio jėga. Pernelyg spaudžiant gali sumažėti šlifavimo efektyvumas, galima sugadinti šlifavimo popierių ir (arba) sutrumpinti įrankio naudojimo laiką.

Šlifavimas atvirose vietose

1. Tvirtai laikykite įrankį abiem rankomis, viena ranka už rankenos, o kita ranka – už priekinės rankenos.
 2. Įjunkite įrankį ir palaukite, kol pradės sukstis visu greičiu.
 3. Po to švelniai nuleiskite įrankį ant ruošinio paviršiaus.
 4. Visą padą laikykite lygiai ir vienodai su paviršiumi; nespirstipriai spauskite įrankį.
- **Pav.22**

Šlifavimas uždaroje vietoje

1. Nuimkite nuo įrankio priekinę rankeną.
 2. Laikykite įrankį viena ranka.
 3. Įjunkite įrankį ir palaukite, kol pradės sukstis visu greičiu.
 4. Po to švelniai nuleiskite įrankį ant ruošinio paviršiaus.
 5. Visą padą laikykite lygiai ir vienodai su paviršiumi; nespirstipriai spauskite įrankį.
 6. Judinkite įrankį išilgai išlinkimų, sienų paviršių ir kitose uždaroje erdvėse, pagal poreikį šlifuodami priekiniais ir kampiniais pado kraštais.
- **Pav.23**

BELAIDŽIO AKTYVINIMO FUNKCIJA

Tik modeliui DBO381

PASTABA: Belaidė funkcija galima tik tuomet, kai įrengtas palaikomas vakuuminis valymo įrenginys.

Ką galima padaryti su belaidžio aktyvinimo funkcija?

Belaidžio aktyvinimo funkcija leidžia dirbti švariai ir patogiai. Pridėtą vakuuminį valymo įrenginį prijungę prie įrankio, galite automatiškai jį paleisti įjungdami įrankį.

► **Pav.24**

Norėdami naudoti belaidžio aktyvinimo funkciją, pasiroškite šiuos daiktus:

- belaidį bloką (papildomas priedas);
- vakuuminį valymo įrenginį, kuris palaiko belaidžio aktyvinimo funkciją.

Toliau pateikiama belaidžio aktyvinimo funkcijos nustatymo apžvalga. Kiekvienoje dalyje rasite detalias procedūras.

1. Belaidžio bloko įdėjimas
2. Įrankio nustatymas vakuuminiame valymo įrenginyje
3. Belaidžio aktyvinimo funkcijos paleidimas

Belaidžio bloko įdėjimas

Pasirenkamasis priedas

▲ PERSPĖJIMAS: Įdėdami belaidį bloką, padėkite įrankį ant stabilaus plokščio paviršiaus.

PASTABA: Prieš įdėdami belaidį bloką, nuo įrankio nuvalykite dulkes ir purvą. Patekusios į belaidžio bloko angą, dulкės arba purvas gali sukelti gedimą.

PASTABA: Norėdami išvengti gedimo, kurį gali sukelti statinis elektros krūvis, prieš paimdami belaidį bloką palieskite medžiagą, per kurią išeina statinis elektros krūvis, pavyzdžiui, metalinę įrankio dalį.

PASTABA: Įdėdami belaidį bloką, visada įsitikinkite, kad dedate reikiama kryptimi ir kad dangtelis iki galo uždarytas.

1. Atidarykite įrankio dangtelį, kaip parodyta paveikslėlyje.
► **Pav.25:** 1. Dangtelis

2. Įdėkite belaidį bloką į angą ir uždarykite dangtelį. Įdėdami belaidį bloką, iškyšas sulgyjuokite su angos išėmomis.
► **Pav.26:** 1. Belaidis blokas 2. Iškyša 3. Dangtelis 4. Išėma

Norėdami išimti belaidį bloką, lėtai atidarykite dangtelį. Traukiant dangtelį, jo galinėje pusėje esantys kabliukai iškels belaidį bloką.
► **Pav.27:** 1. Belaidis blokas 2. Kabliukas 3. Dangtelis

Išėmę belaidį bloką laikykite pridėtamą dėklę arba nuo statinio krūvio apsaugotoje taroje.

PASTABA: Išimdami belaidį bloką visada naudokite galinėje dangtelio pusėje esančius kabliukais. Jei kabliukai nepagauna belaidžio bloko, iki galo uždarykite dangtelį ir vėl lėtai jį atidarykite.

Įrankio nustatymas vakuuiniame valymo įrenginyje

PASTABA: Įrankiui nustatyti reikalingas „Makita“ vakuuiniame valymo įrenginyje, palaikantis belaidžio aktyvinimo funkciją.

PASTABA: Prieš pradėdami nustatyti įrankį, įdėkite jį į belaidį bloką.

PASTABA: Nustatydami įrankį, netraukite gaiduko ir neįjunkite vakuuiniame valymo įrenginio maitinimo.

PASTABA: Taip pat žr. vakuuiniame valymo įrenginio naudojimo instrukciją.

Jei norite aktyvinti vakuuminį valymo įrenginį įrankio jungikliu, prieš tai nustatykite įrankį.

1. Įdėkite akumulatorius į vakuuminį valymo įrenginį ir įrankį.
2. Vakuuiniame valymo įrenginio parengties jungiklį nustatykite ties „AUTO“.
► **Pav.28:** 1. Parengties jungiklis
3. 3 sekundes spauskite belaidžio aktyvinimo mygtuką ant vakuuiniame valymo įrenginio, kol belaidžio aktyvinimo lemputė ims mirksėti žaliai. Tada tokiu pat būdu paspauskite belaidžio aktyvinimo mygtuką ant įrankio.
► **Pav.29:** 1. Belaidžio aktyvinimo mygtukas
2. Belaidžio aktyvinimo lemputė

Jei vakuuiniame valymo įrenginyje ir įrankis sėkmingai susieti, belaidžio aktyvinimo lemputės 2 sekundes švies žaliai ir ims mirksėti mėlynai.

PASTABA: Belaidžio aktyvinimo lemputės nustoja mirksėti žaliai po 20 sekundžių. Kai mirksi valymo įrenginio belaidžio aktyvinimo lemputė, paspauskite belaidžio aktyvinimo mygtuką ant įrankio. Jei belaidžio aktyvinimo lemputė nemirksi žaliai, trumpai paspauskite belaidžio aktyvinimo mygtuką ir vėl palaikykite jį nuspaudę.

PASTABA: Jei norite nustatyti du ar daugiau įrankių viename vakuuiniame valymo įrenginyje, nustatykite juos po viena.

Belaidžio aktyvinimo funkcijos paleidimas

PASTABA: Prieš belaidį aktyvinimą nustatykite įrankį vakuuiniame valymo įrenginyje.

PASTABA: Taip pat žr. vakuuiniame valymo įrenginio naudojimo instrukciją.

Nustačius įrankį vakuuiniame valymo įrenginyje, jis automatiškai įsijungs įjungus įrankį.

1. Įdėkite belaidį bloką į įrankį.
2. Sujunkite vakuuiniame valymo įrenginio žarną su įrankiu.
► **Pav.30**
3. Vakuuiniame valymo įrenginio parengties jungiklį nustatykite ties „AUTO“.
► **Pav.31:** 1. Parengties jungiklis
4. Trumpai paspauskite belaidžio aktyvinimo mygtuką ant įrankio. Belaidžio aktyvinimo lemputė mirksės mėlynai.
► **Pav.32:** 1. Belaidžio aktyvinimo mygtukas
2. Belaidžio aktyvinimo lemputė

5. Patraukite įrankio gaiduką. Patikrinkite, ar patraukus gaiduką vakuuiniame valymo įrenginyje veikia.

Norėdami sustabdyti belaidį vakuuiniame valymo įrenginio aktyvinimą, paspauskite belaidžio aktyvinimo mygtuką ant įrankio.

PASTABA: Nenaudojant 2 valandas, belaidžio aktyvinimo lemputė ant įrankio nustos mirksėti mėlynai. Šiuo atveju parengties jungiklį ant vakuuiniame valymo įrenginio nustatykite ties „AUTO“ ir vėl paspauskite belaidžio aktyvinimo mygtuką ant įrankio.

PASTABA: Vakuuiniame valymo įrenginyje ima veikti ir sustoja šiek tiek uždelęs. Praeina šiek tiek laiko, kol vakuuiniame valymo įrenginyje nustato, kad buvo panaudotas įrankio jungiklis.

PASTABA: Belaidžio bloko perdavimo atstumas gali skirtis priklausomai nuo vietos ir aplinkybių.

PASTABA: Kai viename vakuuiniame valymo įrenginyje yra nustatyti du ar daugiau įrankių, vakuuiniame valymo įrenginyje gali imti veikti net jei nepatraukėte gaiduko, nes kitas naudotojas naudoja belaidžio aktyvinimo funkciją.

Belaidžio aktyvinimo lemputės būsenos aprašymas

► Pav.33: 1. Belaidžio aktyvinimo lemputė

Belaidžio aktyvinimo lemputė rodo belaidžio aktyvinimo funkcijos būseną. Lemputės būsenos reikšmės pateiktos tolesnėje lentelėje.

Būsena	Belaidžio aktyvinimo lemputė				Aprašymas
	Spalva	<input type="checkbox"/> Šviečia	<input type="checkbox"/> Mirksi	Trukmė	
Parengtis	Mėlyna	<input checked="" type="checkbox"/>		2 valandos	Galimas belaidis vakuuminio valymo įrenginio aktyvinimas. Nenaudojant 2 valandas lemputė automatiškai užges.
		<input type="checkbox"/>		Kai įrankis yra naudojamas.	Galimas belaidis vakuuminio valymo įrenginio aktyvinimas ir įrankis yra naudojamas.
Įrankio nustatymas	Žalia	<input checked="" type="checkbox"/>		20 sekundžių	Pasirengęs nustatyti įrankį. Laukiama, kol įrankis bus nustatytas vakuuiniame valymo įrenginyje.
		<input type="checkbox"/>		2 sekundės	Įrankis nustatytas. Belaidžio aktyvinimo lemputė ims mirksėti mėlynai.
Įrankio nustatymo atšaukimas	Raudona	<input checked="" type="checkbox"/>		20 sekundžių	Pasiruošęs atšaukti įrankio nustatymą. Laukiama, kol įrankio nustatymas bus atšauktas vakuuiniame valymo įrenginyje.
		<input type="checkbox"/>		2 sekundės	Įrankio nustatymas atšauktas. Belaidžio aktyvinimo lemputė ims mirksėti mėlynai.
Kita	Raudona	<input type="checkbox"/>		3 sekundės	Belaidis blokas yra maitinamas ir ima veikti belaidžio aktyvinimo funkcija.
	Nešviečia	-		-	Belaidis vakuuminio valymo įrenginio aktyvinimas sustabdytas.

Įrankio nustatymo vakuuiniame valymo įrenginyje atšaukimas

Norėdami atšaukti įrankio nustatymą vakuuiniame valymo įrenginyje, atlikite šią procedūrą.

- Įdėkite akumuliatorius į vakuuminį valymo įrenginį ir įrankį.
 - Vakuuminio valymo įrenginio parengties jungiklį nustatykite ties „AUTO“.
- Pav.34: 1. Parengties jungiklis
- 6 sekundes spauskite belaidžio aktyvinimo mygtuką ant vakuuminio valymo įrenginio. Belaidžio aktyvinimo lemputė mirksi žaliai ir tampa raudona. Paskui tokiu pat būdu paspauskite belaidžio aktyvinimo mygtuką ant įrankio.
- Pav.35: 1. Belaidžio aktyvinimo mygtukas
2. Belaidžio aktyvinimo lemputė

Jei atšaukti pavyko, belaidžio aktyvinimo lemputės 2 sekundes švies raudonai ir ims mirksėti mėlynai.

PASTABA: Belaidžio aktyvinimo lemputės nustoja mirksėti raudonai po 20 sekundžių. Kai mirksi valymo įrenginio belaidžio aktyvinimo lemputė, paspauskite belaidžio aktyvinimo mygtuką ant įrankio. Jei belaidžio aktyvinimo lemputė nemirksi raudonai, trumpai paspauskite belaidžio aktyvinimo mygtuką ir vėl palaikykite jį nuspaudę.

Belaidžio aktyvinimo funkcijos trūkčių šalinimas

Prieš kreipiamiesi dėl remonto darbų, pirmiausia patikrinkite gedimus patys. Kilus problemų, apie kurias nepaaiškinta vartotojo vadove, nemėginkite ardyti įrankio. Kreipkitės į įgaliotuosius „Makita“ techninės priežiūros centrus, kuriuose remontui visuomet naudojamos originalios „Makita“ keičiamosios dalys.

Neįprasta būklė	Tikėtina priežastis (triktis)	Ištaisomoji priemonė
Belaidžio aktyvinimo lemputė nešviečia arba nemirksi.	Belaidis blokas neįdėtas į įrankį. Belaidis blokas netinkamai įdėtas į įrankį.	Taisyklingai įdėkite belaidį bloką.
	Belaidžio bloko kontaktas ir (arba) anga yra purvini.	Švelniai nuvalykite dulkes ir purvą nuo belaidžio bloko kontakto ir išvalykite angą.
	Belaidžio aktyvinimo mygtukas ant įrankio nebuvo paspaustas.	Trumpai paspauskite belaidžio aktyvinimo mygtuką ant įrankio.
	Vakuuminio valymo įrenginio parengties jungiklis nenustatytas ties „AUTO“.	Vakuuminio valymo įrenginio parengties jungiklį nustatykite ties „AUTO“.
	Nėra maitinimo	Prijunkite įrankio ir vakuuminio valymo įrenginio maitinimą.
Nepavyksta nustatyti įrankio / atšaukti jo nustatymo.	Belaidis blokas neįdėtas į įrankį. Belaidis blokas netinkamai įdėtas į įrankį.	Taisyklingai įdėkite belaidį bloką.
	Belaidžio bloko kontaktas ir (arba) anga yra purvini.	Švelniai nuvalykite dulkes ir purvą nuo belaidžio bloko kontakto ir išvalykite angą.
	Vakuuminio valymo įrenginio parengties jungiklis nenustatytas ties „AUTO“.	Vakuuminio valymo įrenginio parengties jungiklį nustatykite ties „AUTO“.
	Nėra maitinimo	Prijunkite įrankio ir vakuuminio valymo įrenginio maitinimą.
	Netinkamai atliktą procedūrą	Trumpai paspauskite belaidžio aktyvinimo mygtuką ir iš naujo atlikite įrankio nustatymo / atšaukimo procedūras.
	Įrankis ir vakuuminis valymo įrenginys yra toli vienas nuo kito (už perdavimo diapazono ribų).	Padėkite įrankį ir vakuuminį valymo įrenginį arčiau vienas kito. Didžiausias perdavimo atstumas yra maždaug 10 m, bet jis gali skirtis pagal aplinkybes.
	Prieš nustatant / atšaukiant įrankį: - patraukiamas gaidukas ant įrankio arba - įjungiamas maitinimo mygtukas ant vakuuminio valymo įrenginio.	Trumpai paspauskite belaidžio aktyvinimo mygtuką ir iš naujo atlikite įrankio nustatymo / atšaukimo procedūras.
	Neatliktos įrankio nustatymo procedūros įrankyje arba vakuuminiame valymo įrenginyje.	Tuo pačiu metu atlikite įrankio nustatymo procedūras įrankyje ir vakuuminiame valymo įrenginyje.
	Kitų prietaisų, generuojančių didelio intensyvumo radijo bangas, keliama radijo bangų trikdžiai.	Patraukite įrankį ir vakuuminį valymo įrenginį toliau nuo tokių prietaisų kaip belaidžio ryšio įrenginiai ir mikrobangų krosnelės.
Vakuuminis valymo įrenginys neveikia įjungus įrankio jungiklį.	Belaidis blokas neįdėtas į įrankį. Belaidis blokas netinkamai įdėtas į įrankį.	Taisyklingai įdėkite belaidį bloką.
	Belaidžio bloko kontaktas ir (arba) anga yra purvini.	Švelniai nuvalykite dulkes ir purvą nuo belaidžio bloko kontakto ir išvalykite angą.
	Belaidžio aktyvinimo mygtukas ant įrankio nebuvo paspaustas.	Trumpai paspauskite belaidžio aktyvinimo mygtuką ir patikrinkite, ar belaidžio aktyvinimo lemputė mirksi mėlynai.
	Vakuuminio valymo įrenginio parengties jungiklis nenustatytas ties „AUTO“.	Vakuuminio valymo įrenginio parengties jungiklį nustatykite ties „AUTO“.
	Vakuuminiame valymo įrenginyje yra nustatyta daugiau kaip 10 įrankių.	Iš naujo nustatykite įrankį. Jei vakuuminiame valymo įrenginyje nustatyta daugiau kaip 10 įrankių, anksčiausiai nustatytas įrankis bus automatiškai atšauktas.
	Vakuuminis valymo įrenginys ištrynė visus įrankių nustatymus.	Iš naujo nustatykite įrankį.
	Nėra maitinimo	Prijunkite įrankio ir vakuuminio valymo įrenginio maitinimą.
	Įrankis ir vakuuminis valymo įrenginys yra toli vienas nuo kito (už perdavimo diapazono ribų).	Padėkite įrankį ir vakuuminį valymo įrenginį arčiau vienas kito. Didžiausias perdavimo atstumas yra maždaug 10 m, bet jis gali skirtis pagal aplinkybes.
	Kitų prietaisų, generuojančių didelio intensyvumo radijo bangas, keliama radijo bangų trikdžiai.	Patraukite įrankį ir vakuuminį valymo įrenginį toliau nuo tokių prietaisų kaip belaidžio ryšio įrenginiai ir mikrobangų krosnelės.
Vakuuminis valymo įrenginys veikia nepatraukus įrankio gaiduko.	Kiti naudotojai naudoja belaidį vakuuminio valymo įrenginio aktyvinimą su savo įrankiais.	Išjunkite kitų įrankių belaidžio aktyvinimo mygtuką arba atšaukite kitų įrankių nustatymą.

TECHNINĖ PRIEŽIŪRA

▲PERSPĖJIMAS: Visuomet įsitikinkite, ar įrankis yra išjungtas ir akumuliatoriaus kasetė yra nuimta prieš atlikdami apžiūrą ir priežiūrą.

PASTABA: Niekada nenaudokite gazolino, benzino, tirpiklio, spirito arba panašių medžiagų. Gali atsirasti išblukimų, deformacijų arba įtrūkimų.

Kad gamins būtų SAUGUS ir PATIKIMAS, jį taisyti, apžiūrėti ar vykdyti bet kokią kitą priežiūrą ar derinimą turi įgaliotasis kompanijos „Makita“ techninės priežiūros centras; reikia naudoti tik kompanijos „Makita“ pagamintas atsargines dalis.

Po naudojimo

Reguliariai valykite įrankį sausa šluoste arba nedideliu kiekiu muiluoto vandens sudrėkinta šluoste.

PASIRENKAMI PRIEDAI

▲PERSPĖJIMAS: Šiuos papildomus priedus arba įtaisus rekomenduojama naudoti su šioje instrukcijoje nurodytu „Makita“ bendrovės įrankiu. Naudojant bet kokius kitus papildomus priedus arba įtaisus, gali kilti pavojus sužeisti žmones. Naudokite tik nurodytam tikslui skirtus papildomus priedus arba įtaisus.

Jeigu norite daugiau sužinoti apie tuos priedus, kreipkitės į artimiausią „Makita“ techninės priežiūros centrą.

- Šlifuojamasis popierius (su išanksto iškirstomis skylėmis)
- Prilipdomas šlifuojamasis popierius
- Dengiamoji plokštė
- Pagrindo padas (tik prilipdomam šlifuojamajam popieriui)
- Pagrindo padas (tik įprastam šlifuojamajam popieriui)
- Dulkių surinkimo maišelis
- Dulkių dėžė
- Filtras
- Žarna
- Belaidis blokas (Tik modeliui DBO381)
- Akumuliatoriaus saugiklis
- Originalus „Makita“ akumuliatorius ir įkroviklis

PASTABA: Kai kurie sąraše esantys priedai gali būti pateikti įrankio pakuotėje kaip standartiniai priedai. Jie įvairiose šalyse gali skirtis.

TEHNILISED ANDMED

Mudel:	DBO380	DBO381
Tugiketta mõõtmed	92 mm x 185 mm	
Lihvpaberi mõõtmed	93 mm x 228 mm	
Orbiite minutis	Suur	12 000 min ⁻¹
	Keskmine	8 000 min ⁻¹
	Väike	4 000 min ⁻¹
Üldpikkus (koos eesmise käepidemega)	336 mm	
Nimipinge	Alalisvool 18 V	
Netokaal	1,9 – 2,2 kg	

- Meie pideva uuringu- ja arendusprogrammi tõttu võidakse tehnilisi andmeid muuta ilma sellest ette teatamata.
- Tehnilised andmed ja akukassett võivad riigiti erineda.
- Kaal võib erineda olenevalt lisaseadistest, kaasa arvatud akukassetist. Kergeim ja raskeim kombinatsioon EPTA-protseduuri 01/2014 kohaselt on toodud tabelis.

Sobiv akukassett ja laadija

Akukassett	BL1815N / BL1820B / BL1830B / BL1840B / BL1850B / BL1860B
Laadija	DC18RC / DC18RD / DC18RE / DC18SD / DC18SE / DC18SF / DC18SH

- Mõned eespool loetletud akukassetid ja -laadijad ei pruugi olla teie riigis saadaval.

⚠ HOIATUS: Kasutage ainult ülalpool loetletud akukassette ja laadijaid. Muude akukassetide ja laadijate kasutamine võib tekitada vigastusi ja/või tulekahju.

Kavandatud kasutus

Tööriist on ette nähtud suurte puit-, plast- ja metallmaterjalist pindade, samuti ka värvitud pindade lihvimiseks.

Müra

Tüüpiline A-korrigeeritud müratase, määratud standardi EN62841-2-4 kohaselt:

Mudel DBO380

Helirõhutase (L_{pA}): 72 dB (A)

Määramatus (K): 3 dB (A)

Mudel DBO381

Helirõhutase (L_{pA}): 72 dB (A)

Määramatus (K): 3 dB (A)

Töötamisel võib müratase ületada 80 dB (A).

MÄRKUS: Deklareeritud müra väärtust (väärtuseid) on mõõdetud kooskõlas standardse katsemeetodiga ning seda võib kasutada ühe seadme võrdlemiseks teisega.

MÄRKUS: Deklareeritud müra väärtust (väärtuseid) võib kasutada ka mürataseme esmaseks hindamiseks.

⚠ HOIATUS: Kasutage kõrvakaitsmeid.

⚠ HOIATUS: Müratase võib elektritööriista tegevlikkuses kasutamise ajal erineda deklareeritud väärtust(t)est olenevalt tööriista kasutusviisidest ja eriti töödeldavast toorikust.

⚠ HOIATUS: Rakendage operaatori kaitsmiseks kindlasti piisavaid ohutusabinõusid, mis põhinevad hinnangulisel müratasemel tegelikus tööolukorras (võttes arvesse tööperioodi kõiki osasid, näiteks korrad, kui seade lülitatakse välja ja seade töötab tühikäigul, lisaks tööajale).

Vibratsioon

Vibratsiooni koguväärtus (kolmeteljeliste vektorite summa) määratud standardi EN62841-2-4 kohaselt:

Mudel DBO380

Töörežiim: metallplaadi lihvimine

Vibratsiooniheide (a_{h1}): 3,6 m/s²

Määramatus (K): 1,5 m/s²

Mudel DBO381

Töörežiim: metallplaadi lihvimine

Vibratsiooniheide (a_{h1}): 3,6 m/s²

Määramatus (K): 1,5 m/s²

MÄRKUS: Deklareeritud vibratsiooni koguväärtust (-väärtuseid) on mõõdetud kooskõlas standardse katsemeetodiga ning seda võib kasutada ühe seadme võrdlemiseks teisega.

MÄRKUS: Deklareeritud vibratsiooni koguväärtust (-väärtuseid) võib kasutada ka mürataseme esmaseks hindamiseks.

⚠️HOIATUS: Vibratsioonitase võib elektritööriista tegelikkuses kasutamise ajal erineda deklaritud väärtus(t)est olenevalt tööriista kasutusviisidest ja eriti töödeldavast toorikust.

⚠️HOIATUS: Rakendage operaatoreid kaitseks kindlasti piisavaid ohutusabinõusid, mis põhinevad hinnangulisel müratasemel tegelikus tööolukorras (võttes arvesse tööperioodi kõiki osasid, näiteks korrad, kui seade lülitatakse välja ja seade töötab tühikäigul, lisaks tööajale).

EÜ vastavusdeklaratsioon

Ainult Euroopa riikide puhul

EÜ vastavusdeklaratsioon sisaldub käesoleva juhendi Lisas A.

OHUTUSHOIATUSED

Üldised elektritööriistade ohutushoiatused

⚠️HOIATUS: Lugege läbi kõik selle elektritööriistaga kaasas olevad ohutushoiatused, juhised, joonised ja tehnilised andmed. Järgnevate juhiste eiramine võib põhjustada elektrilöögi, süttimise ja/või raske kehavigastuse.

Hoidke edaspidisteks viideteks alles kõik hoiatused ja juhtnöörid.

Hoiatuses kasutatud termini „elektritööriist“ all peetakse silmas elektriga töötavaid (juhtmega) elektritööriistu või akuga töötavaid (juhtmeta) elektritööriistu.

Lihvimisseadme ohutusnõuded

1. Kasutage alati kaitse- või ohutusprille. Tavalised prillid või päikeseprillid EI OLE kaitseprillid.
2. Hoidke tööriistast kindlalt kinni.
3. Ärge jätke tööriista käima. Käivitage tööriist ainult siis, kui hoiate seda käes.
4. Tööriist ei ole veekindel, seetõttu ärge kasutage töödeldava detaili pinnal vett.
5. Lihvimise ajal tuulutage piisavalt oma tööpiirkonda.
6. Mõned materjalid võivad sisaldada mürgiseid aineid. Võtke meetmed tolmu sissehingamise ja nahaga kokkupuute vältimiseks. Järgige materjali tarnija ohustusteavet.
7. Tööriista kasutamine teatud toodete, värvikihide ja puidu lihvimisel võib kasutaja jätta ohtlike aineid sisaldava tolmu kätte. Kasutage sobivaid hingamisteede kaitsevahendeid.
8. Enne kasutamist veenduge, et lihvkettal poleks pragusid ning see poleks murdunud. Praod või murdumine võivad põhjustada kehavigastuse.
9. Jälgige oma jalgealust toetuspinda ja hoidke tööriistaga töötades tasakaalu. Kõrgustes töötades veenduge, et allpool ei viibiks inimesi.

HOIDKE JUHEND ALLES.

⚠️HOIATUS: ÄRGE UNUSTAGE järgida toote ohutusnõudeid mugavuse või toote (korduskasutamise) saavutamise hea tundmise tõttu. VALE KASUTUS või kasutusjuhendi ohutuseeskirjade eiramine võib põhjustada tervisekahjustusi.

Akukassetiga seotud olulised ohutusjuhised

1. Enne akukassetti kasutamist lugege (1) akulaadija, (2) aku ja (3) seadmel olevad juhtnöörid ja hoiatused läbi.
2. Ärge võtke akukassetti lahti ega muutke seda. See võib põhjustada tulekahju, liigset kuumust või plahvatuse.
3. Kui tööaeg järsult lüheneb, siis lõpetage kohe kasutamine. Edasise kasutamise tulemuseks võib olla ülekuumenemisoht, võimalikud põletused või isegi plahvatus.
4. Kui elektroliiti satub silma, siis loputage silma puhta veega ja pöörduge koheselt arsti poole. Selline õnnetus võib põhjustada pimedaksjäämist.
5. Ärge tekitage akukassetis lühist:
 - (1) Ärge puutuge klemme elektrijuhtidega.
 - (2) Ärge hoidke akukassetti tööriistakastis koos metalliesemetega, nagu naelad, mündid jne.
 - (3) Ärge tehke akukassetti märjaks ega jätke seda vihma kätte.Aku lühis võib põhjustada tugevat elektrivoolu, ülekuumenemist, põletusi ning ka seadet tõsiselt kahjustada.
6. Ärge hoidke ega kasutage tööriista ja akukassetti kohtades, kus temperatuur võib tõusta üle 50 °C (122 °F).
7. Ärge põletage akukassetti isegi siis, kui see on saanud tõsiselt vigastada või on täiesti kuldunud. Akukassett võib tules plahvatada.
8. Ärge naelutage, löigake, muljuge, visake akukassetti ega laske sel kukkuda, samuti ärge lööge selle pihta kõva esemega. Selline tegevus võib põhjustada tulekahju, liigset kuumust või plahvatuse.
9. Ärge kasutage kahjustatud akut.
10. Sisalduvatele liitium-ioonakudele võivad kohalduda ohtlike kaupade õigusaktide nõuded.

Kaubanduslikul transportimisel, näiteks kolmanda poolte või transpordiettevõtete poolt, tuleb järgida pakendil ja siltidel toodud erinõudeid. Transportimiseks ettevalmistamisel on vajalik pidada nõu ohtliku materjali eksperdigaga. Samuti tuleb järgida võimalike riiklike regulatsioonide üksikasjalikumaid nõudeid.

Katke teibiga või varjake avatud kontaktid ja pakendage aku selliselt, et see ei saaks pakendis liikuda.
11. Kasutuskõlmatuks muutunud akukassetti kõrvaldamiseks eemaldage see tööriistast ja viige selleks ette nähtud kohta. Järgige kasutuskõlmatuks muutunud aku kõrvaldamisel kohalikke eeskirju.

12. Kasutage akusid ainult Makita heaks kiidetud toodetega. Akude paigaldamine selleks mitte ettenähtud toodetele võib põhjustada süttimist, ülemäärrast kuumust, plahvatamist või elektrolüüdi lekkimist.
13. Kui tööriista ei kasutata pika ajaperioodi jooksul, tuleb aku tööriistast eemaldada.
14. Kasutamise ajal ja pärast kasutamist võib akukassett kuumeneda, mis võib põhjustada põletusi või madala temperatuuri põletusi. Olge kuumal akukasseti kandmisel ettevaatlik.
15. Ärge puudutage tööriista klemmi kohe pärast kasutamist, sest see võib olla kuum ja põhjustada põletusi.
16. Hoidke akukasseti klemmid, avad ja sooned tükikestest, tolmust ja mullast puhtad. Muidu võib tööriist või akukassett halvasti töötada või puruneda.
17. Kui tööriist ei kannata kasutamist kõrgepingeliinide lähedal, ärge kasutage akukassetti kõrgepingeliinide lähedal. Muidu võib tööriist või akukassett puruneda või sellel tõrge tekkida.
18. Hoidke akut lastele kättesaamatult.

HOIDKE JUHEND ALLES.

⚠ETTEVAATUST: Kasutage ainult Makita originaalakusid. Mitte Makita originaalakude või muudetud akude kasutamine võib põhjustada akude süttimise, kehavigastuse ja kahjustuse. Samuti muudab see kehtetuks Makita tööriista ja laadija Makita garantii.

Vihjeid aku maksimaalse kasutusaja tagamise kohta

1. Laadige akukassetti enne selle täielikku tühjenemist. Kui märkate, et tööriist töötab väiksema võimsusega, peatage töö ja laadige akukassetti.
2. Ärge laadige täielikult laetud akukassetti. Ütelaadimine lühendab akude kasutusiga.
3. Laadige akukassetti toatemperatuuril 10 °C - 40 °C. Enne laadimist laske kuumenenud akukassetil maha jahtuda.
4. Kui te ei kasuta parajasti akukassetti, eemaldage see tööriistast või laadurist.
5. Kui te ei kasuta akukassetti kauem kui kuus kuud, laadige see.

Juhtmeta seadmega seotud olulised ohutusjuhised

1. Ärge võtke juhtmeta seadet lahti ega muutke seda omavoliliselt.
2. Hoidke juhtmeta seadet lastele kättesaamatus kohas. Kogemata allaneelamise korral pöörduda kohe arsti poole.
3. Kasutage juhtmeta seadet ainult koos Makita tööriistadega.
4. Ärge jätke juhtmeta seadet vihma kätte ega märga keskkonda.
5. Ärge kasutage juhtmeta seadet kohtades, kus temperatuur on üle 50 °C.
6. Ärge kasutage juhtmeta seadet kohtades, kus leidub meditsiinilisi seadmeid, nagu südamestimulaatorid.
7. Ärge kasutage juhtmeta seadme kohtades, kus leidub automatiseeritud seadmeid. Muidu võib automatiseeritud seadmetel esineda talitushäireid või need võivad minna rikki.
8. Ärge töötage juhtmeta seadmega kohtades, kus on kõrge temperatuur ja kus võib esineda staatilist elektrit või elektrilist müra.
9. Juhtmeta seadmed võivad tekitada elektromagnetvälju (EMV), mis ei ole kasutajale kahjulikud.
10. Juhtmeta seade on täppisseade. Olge ettevaatlik, ärge laske juhtmevabal seadmel maha kukkuda ja vältige lööke.
11. Ärge puudutage juhtmeta seadme klemmi paljaste käte või metalliesemetega.
12. Juhtmeta seadme tööriista sisse paigaldamisel eemaldage tootest alati aku.
13. Ärge avage pesa katet kohas, kus tolmu või vesi võivad pesasse sattuda. Hoidke pesa siselaskeava alati puhtana.
14. Sisestage juhtmeta seade alati õiges suunas.
15. Ärge vajutage juhtmeta seadme juhtmeta aktiveerimise nupule liiga tugevalt ja/või ärge tehke seda teravate servadega esemega.
16. Sulgege pesa kaas alati pärast kasutamist.
17. Ärge eemaldage juhtmeta seadet pesast ajal, kui tööriista varustatakse toitega. Selle juhise järgimata jätmine võib tekitada juhtmeta seadme talitushäireid.
18. Ärge eemaldage juhtmevabalt seadmelt kleebist.
19. Ärge pange juhtmevabale seadmele mingeid kleebiseid.
20. Ärge jätke juhtmeta seadet kohta, kus võib esineda staatilist elektrit või elektrilist müra.
21. Ärge jätke juhtmeta seadet kohta, kus on väga kuum, nt päikese kätte seisvasse autosse.
22. Ärge jätke juhtmeta seadet tolmusse või pulbrilisse kohta või kohta, kus võib esineda söövitavaid gaase.
23. Äkiline temperatuuri muutumine võib tekitada juhtmeta seadme pinnale niiskuskihhi. Ärge kasutage juhtmeta seadet enne, kui kogunenud niiskus on täielikult ära kuivanud.
24. Juhtmeta seadme puhastamisel pühkige seda õrnalt pehme lapiga. Ärge kasutage bensiini, lahusteid, juhtivaid määrdeid vms.
25. Juhtmeta seadme hoistamisel hoidke seda komplekti kuuluvas karbis või staatikavabas konteineris.
26. Ärge sisestage tööriista pesasse muid seadmeid kui Makita juhtmeta seade.
27. Ärge kasutage tööriista, kui pesa kaas on kahjustunud. Pessa sattuvad vesi, tolmu või mustus võivad põhjustada talitushäireid.
28. Ärge tõmmake ega väänake pesa katet rohkem kui vajalik. Kui tööriistalt tuleb kaas ära, siis pange see oma kohale tagasi.
29. Asendage pesa kaas, kui see on läinud kaduma või kahjustunud.

HOIDKE JUHEND ALLES.

FUNKTSIONAALNE KIRJELDUS

⚠ETTEVAATUST: Kandke alati hoolt selle eest, et tööriist oleks enne reguleerimist ja kontrollimist välja lülitatud ja akukassett eemaldatud.

Akukasseti paigaldamine või eemaldamine

⚠ETTEVAATUST: Lülitage tööriist alati enne akukasseti paigaldamist või eemaldamist välja.

⚠ETTEVAATUST: Akukasseti paigaldamisel või eemaldamisel tuleb tööriista ja akukassetti kindlalt paigal hoida. Kui tööriista ja akukassetti ei hoita kindlalt paigal, võivad need käest libiseda ning kahjustada tööriista ja akukassetti või põhjustada kehavigastusi.

► **Joon.1:** 1. Punene näidik 2. Nupp 3. Akukassett

Akukasseti eemaldamiseks libistage see tööriista küljest lahti, vajutades kassetti esiküljel paiknevat nuppu alla.

Akukasseti paigaldamiseks joondage akukasseti keel korpuse soonega ja libistage kassett oma kohale. Sisestage see tervenisti, kuni see lukustub klõpsuga oma kohale. Kui näete joonisel näidatud punast näidikut, pole see täielikult lukustunud.

⚠ETTEVAATUST: Paigaldage akukassett alati täies ulatuses nii, et punast osa ei jääks näha.

Muidu võib adapter juhuslikult tööriistast välja kukkuda ning põhjustada teile või läheduses viibivatele isikutele vigastusi.

⚠ETTEVAATUST: Ärge rakendage akukasseti paigaldamisel jõudu. Kui kassett ei lähe kergesti sisse, pole see õigesti paigaldatud.

Akukaits

Kasutage akukasseti kaitsmiseks ja katmiseks tööriistaga kaasas olevat akukaitsset.

⚠ETTEVAATUST: Enne akukaitsme paigaldamist ja eemaldamist eemaldage alati akukassett tööriista küljest.



















⚠ETTEVAATUST: Ärge võtke tööriista ühest kohast teise viimisel või jõeade ajal käes hoidmisel kinni akukaitsmest.

TÄHELEPANU: Akukaitsme võib paigaldada ainult akumudelitele BL1830B / BL1840B / BL1850B / BL1860B.

Aku jääkmahutavuse näit

Ainult näidikuga akukassettidele

► **Joon.2:** 1. Märgulambid 2. Kontrollimise nupp
Akukasseti järelejäanud mahutavuse kontrollimiseks vajutage kontrollimise nuppu. Märgulambid süttivad mõneks sekundiks.

Märgulambid			Jääkmahutavus
 Poleb	 Ei põle	 Vilgub	
			75 - 100%
			50 - 75%
			25 - 50%
			0 - 25%
			Laadige akut.
			Akul võib olla tõrge.
			

MÄRKUS: Näidatud mahutavus võib veidi erineda tegelikust mahutavusest olenevalt kasutustingimustest ja ümbritseva keskkonna temperatuurist.

MÄRKUS: Esimene (taga vasakul asuv) märgutuli vilgub, kui akukaitsesüsteem töötab.

Tööriista/aku kaitsesüsteem

Tööriist on varustatud tööriista või aku kaitsesüsteemiga. Süsteem lülitab mootori automaatselt välja, et pikendada tööriista ja aku tööiga. Tööriist seiskub käitamise ajal automaatselt, kui tööriista või aku kohta kehtib üks järgmistest tingimustest.

Ülekoormuskaitse

Kui tööriista või aku kasutamise käigus hakkab see tarbima ebaharilikult palju voolu, peatub tööriist automaatselt ilma igasuguse signaalita. Sellisel juhul lülitage tööriist välja ja lõpetage tööriista ülekoormuse põhjustanud tegevus. Pärast seda käivitage tööriist uuesti.

Ülekuumenemiskaitse

Tööriista või aku ülekuumenemisel seiskub tööriist automaatselt. Laske sellisel juhul tööriistal ja akul enne tööriista uuesti sisselülitamist jahtuda.

Üleladimiskaitse

Kui aku laetuse tase ei ole piisav, seiskub tööriist automaatselt. Sellisel juhul eemaldage aku seadmest ja laadige täis.

Lülitifunktsioneerimine

⚠ETTEVAATUST: Vältige tööriista sisselülitamist, kui see asub töödeldaval pinnal või tööpin-gil. See võib põhjustada kehavigastusi või kahjustusi.

Tööriista sisse- ja väljalülitamine

Tööriista sisselülitamiseks vajutage peamise käepi-deme peal asuvat toite- / kiiruse valiku nuppu. Tööriist käivitub kõige kiiremal pöörlemiskiirusel.

Töö peatamiseks või lõpetamiseks vajutage stoppnuppu.

► **Joon.3:** 1. Toite- / kiiruse valiku nupp 2. Stoppnupp 3. Peamine käepide

Tööriista kiiruse muutmine

Pöörlemiskiirust saab olenevalt rakendusest ja töökoormusest vahetada kolmele režiimile: kiire, keskmine ja aeglane.

Kiiruse režiimi vahetamiseks vajutage toite- / kiiruse valiku nuppu.

► **Joon.4:** 1. Toite- / kiiruse valiku nupp

Kiiruse seadete tabel

Kiiruse tase	Pöörded minutis
3 (kiire)	12 000 min ⁻¹ (/min)
2 (keskmine)	8 000 min ⁻¹ (/min)
1 (aeglane)	4 000 min ⁻¹ (/min)

TÄHELEPANU: Kui tööriista kasutatakse lakka-matult pika aja vältel aeglasel kiirusel, koormab see mootori üle ja tööriista töös võivad tekkida tõrked.

TÄHELEPANU: Valige lihvimiseks sobiv kiirus-vahemik, et vältida ülekuumenemist ja töödeldava detaili sulamist. Kiirel pöörlemiskiirusel lihvimine võib töödeldavat detaili kuumutada ja kokkupuuteko-has sulatada.

Elektrooniline funktsioon

Tööriistal on lihtsamaks kasutamiseks elektroonilised funktsioonid.

Püsikiiruse juhtimine

See funktsioon hoiab püsivat pöörlemiskiirust, et saavu-tada peen viimistlus.

KOKKUPANEK

⚠ETTEVAATUST: Kandke alati hoolt selle eest, et tööriist oleks enne igasuguseid hooldustöid välja lülitatud ja akukassett eemaldatud.

Lihvpaberi paigaldamine ja eemaldamine

⚠ETTEVAATUST: Veenduge alati, et lihv-paber oleks enne kasutamist kindlalt paigaldatud. Muidu võib paber lõdveneda, lihtsasti lahti tulla ja pealt libi-seda, mille tulemuseks on ebaühtlane lihvimistöö.

Tööriista kaasas oleva lihv-paberi kasutamine

1. Vajutage ja hoidke all kas talla esi- või tagaosas asuvat klambrihooba ja libistage see stopperist eemale nii, et klamber vabaneks kinnitatud asendist.

2. Tõmmake klambrihooba väljapoole nii kaugele kui võimalik, et luua klambri ja lihvimisaluse külgsena vahele ruum, millesse saab sisestada lihv-paberi ühe otsa.

► **Joon.5:** 1. Klambrihoob 2. Stopper 3. Klamber 4. Lihvimisaluse 5. Tald

3. Kinnitage lihv-paber tallale nii, et lihv-paberi ja talla tolmumemisavad jääksid kokakuti.

► **Joon.6:** 1. Lihv-paber 2. Tald 3. Tolmumemisava

4. Libistage lihv-paberi üks ots klambri ja lihvimisa-luse vahelisse ruumi.

5. Seadke klambrihoob tagasi lukustatud asendisse nii, et lihv-paber oleks tugevasti klambri-ga kinni.

6. Vabastage teises otsas asuv klamber ja pange lihv-paberi teine ots klambri-ga kinnitamiseks valmis.

7. Hoidke lihv-paberit korraliku pinge all ja seadke teises otsas asuv klambrihoob lukustatud asendisse.

► **Joon.7:** 1. Lihv-paber 2. Klamber 3. Lihvimisaluse 4. Klambrihoob 5. Stopper

8. Lihv-paberi eemaldamiseks vabastage mõlemas otsas asuvad klambri-d ja võtke paber talla küljest ära.

Turul saada oleva lihv-paberi kasutamine

1. Lõigake lihv-paber sobivasse suurusesse.

► **Joon.8:** 1. Lihv-paber 2. Tald

2. Vajutage ja hoidke all kas talla esi- või tagaosas asuvat klambrihooba ja libistage see stopperist eemale nii, et klamber vabaneks kinnitatud asendist.

3. Tõmmake klambrihooba väljapoole nii kaugele kui võimalik, et luua klambri ja lihvimisaluse külgsena vahele ruum, millesse saab sisestada lihv-paberi ühe otsa.

4. Libistage lihv-paberi üks ots klambri ja lihvimisa-luse vahelisse ruumi.

5. Asetage lihv-paber nii, et see kataks talla pinna.

6. Seadke klambrihoob lukustatud asendisse nii, et lihv-paberi ots oleks tugevasti klambri-ga kinni.

7. Vabastage teises otsas asuv klamber ja pange lihv-paberi teine ots klambri-ga kinnitamiseks valmis.

8. Hoidke lihv-paberit korraliku pinge all ja seadke teises otsas asuv klambrihoob lukustatud asendisse.

► **Joon.9:** 1. Lihv-paber 2. Klamber 3. Lihvimisaluse 4. Klambrihoob 5. Stopper

9. Katke lihv-paber nurgaga külgnevate positsiooni-misstopperite abil augustusplaadiga, sobitades selle talla ja lihvimisaluse kahe külgservaga.

► **Joon.10:** 1. Lihv-paber 2. Augustusplaat 3. Positsioonimisstopperid 4. Tald 5. Lihvimisaluse

10. Lükake augustusplaat lihv-paberi kohale, et moodustada tolmumemisavad.

11. Lihv-paberi eemaldamiseks vabastage mõlemas otsas asuvad klambri-d ja võtke paber talla küljest ära.

Konksu ja silmusega lihvpaperi kasutamine

Lisatarvik

▲ETTEVAATUST: Veenduge, et konksu ja silmusega lihvpaper oleks nõuetekohaselt ja kindlalt paigaldatud. Nõrgal kinnitamisel läheb tarvik tasakaalust välja ja põhjustab tugevat vibratsiooni, mis toob kaasa kontrolli kaotamise.

▲ETTEVAATUST: Veenduge, et konksu ja silmusega tald ja lihvpaper oleksid joondatud ning kindlalt kinnitatud.

▲ETTEVAATUST: Kasutage ainult konksu ja silmusega lihvpaperit. Ärge kasutage kunagi survetundlikke lihvpaperid.

1. Keerake lahti ja eemaldage neli kruvi, mis kinnitavad talla lihvimisaluse külge.
2. Vahetage standardne tald valikulise konksu ja silmusega talla vastu.
3. Konksu ja silmusega talla korrallikuks kinnitamiseks keerake kruvid kinni.
▶ **Joon.11:** 1. Kruvid 2. Lihvimisalus 3. Tald
4. Eemaldage konksu ja silmusega tallalt kogu mustus ja võõrkehad.
5. Kinnitage valikuline konksu ja silmusega lihvpaper tallale nii, et lihvpaperi ja talla tolmuimemisavad jääksid kokahuti.
▶ **Joon.12:** 1. Lihvpaper 2. Tugiketas 3. Tolmuimemisavad
6. Lihvpaperi eemaldamiseks koorige see servast lahti.

▲ETTEVAATUST: O-rõngas võib talla vahetamisel lihvimisaluse seest välja tulla. Enne valikulise talla paigaldamist pange O-rõngas aluse keskel asuvasse ümmargustesse soontesse tagasi.

- ▶ **Joon.13:** 1. O-rõngas 2. Lihvimisalus 3. Ümmargused sooned

Tolmukoti paigaldamine ja eemaldamine

Lisatarvik

Kinnitage tolmuott mootori kere tagumises otsas asuva kitseneva tolmutoru peale. Pange tolmuoti tolmu sisselaskeava tolmutorul võimalikult kaugele, et vältida selle lahtitulekut töö käigus.

- ▶ **Joon.14:** 1. Tolmutoru 2. Tolmu sisselaskeava 3. Tolmuott

MÄRKUS: Kinnitage tolmuott nii, et lukk asuks allosas.

MÄRKUS: Optimaalse tolmuogumise tagamiseks tühjendage tolmuott, kui umbes pool selle mahust on täis.

Eemaldage tolmuott tööriista küljest ja tõmmake kinnitussvahend välja. Tolmuoti tühjendamiseks raputage või koputage seda õrnalt.

Tolmukarbi paigaldamine ja eemaldamine

Lisatarvik

Kinnitage tolmuarp mootori kere tagumises otsas asuva kitseneva tolmutoru peale. Pange tolmuotsak tolmutorul võimalikult kaugele, et vältida selle lahtitulekut töö käigus.

- ▶ **Joon.15:** 1. Tolmutoru 2. Tolmuotsak 3. Tolmuarp

MÄRKUS: Optimaalse tolmuogumise tagamiseks tühjendage tolmuarp, kui umbes pool selle mahust on täis.

1. Eemaldage tolmuarp tööriista küljest.
2. Vabastage tolmuotsak karbi küljest, hoides karbi mõlemal pool asuvaid lukusteid all.
3. Tolmukarbi tühjendamiseks raputage või koputage seda õrnalt.

Filtri vahetamine

TÄHELEPANU: Osade uuesti kokkupanemisel tuleb kõigi tolmuarki, filtri ja tolmuotsaku logod ühtlases suunas joondada.

1. Eemaldage tolmuarp tööriista küljest.
2. Vabastage tolmuotsak karbi küljest, hoides karbi mõlemal pool asuvaid lukusteid all.
▶ **Joon.16:** 1. Tolmuotsak 2. Tolmuarp 3. Lukusti
3. Hoidke papi ava sisemist ülemist serva ja tõmmake see allapoole, et papi ava välimine ülemine serv tolmuarki serva ülemisest haakekonksust välja võtta.
4. Võtke filter tolmuarkist välja, tõmmates samal ajal papi ava välimine alumine serv alumisest haakekonksust lahti.
▶ **Joon.17:** 1. Filter 2. Papi ava 3. Ülemine haakekonks 4. Alumine haakekonks 5. Tolmuarp
5. Vahetage filter, ühendades papi ava alumise serva alumise haakekonksuga, ja lükake ülemist serva sissepoole, kuni see haakub ülemise haakekonksuga.
▶ **Joon.18:** 1. Filter 2. Papi ava 3. Ülemine haakekonks 4. Alumine haakekonks 5. Tolmuarp
6. Klõpsake tolmuotsak kohale, hoides tolmuarki mõlemal pool asuvaid lukusteid all.
▶ **Joon.19:** 1. Tolmuotsak 2. Tolmuarp 3. Lukusti

Eesmise käepideme eemaldamine ja paigaldamine

▲ETTEVAATUST: Pärast uuesti kokkupanemist tõmmake eesmist käepidet, et kontrollida, kas see on kindlalt ühendatud.

TÄHELEPANU: Veenduge, et eesmine käepide oleks täielikult pessa lükatud ja püsiks eesmise käepideme pöörämisel asendis. Muidu võite põhjustada tööriistale kahjustusi.

Eemaldava eesmise eemaldamine muudab kitsastes, piiratud ja raskesti ligipääsetavates kohtades lihvimise lihtsamaks.

Eemaldamine

Lükake ja hoidke eesmist käepidet kindlalt mootori kere suunas ja pöörake seda 90 kraadi vasakule või paremale. Seejärel tõmmake see tööriista küljest ära.

Paigaldamine

Sisestage eesmise käepideme ots mootori keres olevasse pesa, joondades käepideme piirjooned pesa omadega. Lükake ja hoidke eesmist käepidet kindlalt kere suunas ja pöörake seda 90 kraadi nii, et haardepind oleks ülespoole.

► **Joon.20:** 1. Eesmine käepide 2. Pesa 3. Mootori kere 4. Haardepind

Ühendamine tolmuimejaga

Lisatarvik

Kui soovite puhtamalt lihvida, ühendage tööriistaga Makita tolmuimeja. Ühenduse saavutamiseks kasutage kas valikulist 28 mm pikkust voolikut või esimansettide 22 ja tolmuimejaga kaasas oleva vooliku kombinatsiooni.

► **Joon.21:** 1. Tolmutoru 2. Esimansetid 3. Voolik 4. Tolmuimeja

TÖÖRIISTA KASUTAMINE

Lihvimine

⚠ETTEVAATUST: Ärge kunagi käivitage tööriista ilma lihvpaperita. Võite tugiketat tõsiselt kahjustada.

⚠ETTEVAATUST: Ärge kunagi kasutage tööriista suhtes jõudu. Ülemäärane surve võib vähendada lihvimise tõhusust, vigastada lihvpaperit ja/või lühendada tööriista kasutusiga.

Avatud kohtades lihvimine

1. Hoidke tööriistast kahe käega kindlalt kinni, hoides üht kätt käepidemel ja teist kätt eesmisel käepidemel.
 2. Lülitage tööriist sisse ja oodake, kuni see saavutab täiskiruse.
 3. Asetage tööriist õrnalt töödeldavale pinnale.
 4. Hoidke tervet talda pinnaga tasaselt ja ühtlaselt ning avaldage tööriistale kergelt survet.
- **Joon.22**

Kinnistes kohtades lihvimine

1. Eemaldage eesmine käepide tööriista küljest.
 2. Hoidke käepidet ühe käega.
 3. Lülitage tööriist sisse ja oodake, kuni see saavutab täiskiruse.
 4. Asetage tööriist õrnalt töödeldavale pinnale.
 5. Hoidke tervet talda pinnaga tasaselt ja ühtlaselt ning avaldage tööriistale kergelt survet.
 6. Liigutage tööriista mõõda kõveraid seinapindu ja muid kinniseid kohti, lihvides olenevalt vajadusest talla esi- ja nurgaservadega.
- **Joon.23**

JUHTMETA AKTIVEERIMISE FUNKTSIOON

Ainult mudeli DBO381 puhul

TÄHELEPANU: Juhtmevaba funktsioon on saadaval ainult siis, kui paigaldatud on ette nähtud tolmuimeja.

Mida võimaldab juhtmeta aktiveerimise funktsioon

Juhtmeta aktiveerimise funktsioon võimaldab puhast ja mugavat töötamist. Ühendades toetatud tolmuimeja tööriistaga, saate käivitada tolmuimeja automaatselt koos tööriista lüliti toimimisega.

► **Joon.24**

Juhtmeta aktiveerimise funktsiooni kasutamiseks valmistage ette alljärgnev:

- juhtmeta seade (valikuline tarvik);
- tolmuimeja, mis toetab juhtmeta aktiveerimise funktsiooni.

Alljärgnevalt on toodud juhtmeta aktiveerimise funktsiooni seadistamise ülevaade. Üksikasjalikuma teabe saamiseks vaadake konkreetseid jaotisi.

1. Juhtmeta seadme paigaldamine
2. Tööriista registreerimine tolmuimeja jaoks
3. Juhtmeta aktiveerimise funktsiooni käivitamine

Juhtmeta seadme paigaldamine

Valikuline tarvik

⚠ETTEVAATUST: Juhtmeta seadme paigaldamisel asetage tööriist tasasele ja kindlale pinnale.

TÄHELEPANU: Enne juhtmeta seadme paigaldamist puhastage tööriist tolmust ja mustusest. Kui tolmu ja mustus satuvad juhtmeta seadme pesa, siis võib esineda talitushäireid.

TÄHELEPANU: Staatika põhjustatud talitushäirete vältimiseks puudutage enne juhtmeta seadme ülestõstmist staatikat eemaldavat materjali, näiteks tööriista metallist osa.

TÄHELEPANU: Juhtmeta seadme paigaldamisel veenduge alati, et juhtmeta seade oleks sisestatud õiges suunas ja kaas oleks korralikult suletud.

1. Avage tööriista kaas joonisel näidatud viisil.
- **Joon.25:** 1. Kaas

2. Sisestage juhtmeta seade pesasse ja sulgege kaas.

Juhtmeta seadme sisestamisel joondage väljaulatuvad osad pesa süvendatud osadega.

- **Joon.26:** 1. Juhtmeta seade 2. Väljaulatuv osa 3. Kaas 4. Süvendatud osa

Juhtmeta seadme eemaldamisel avage kaas aeglaselt. Kaane tagaküljel asuvad konksud tõstavad juhtmeta seadme koos kaanega välja.

► **Joon.27:** 1. Juhtmeta seade 2. Konks 3. Kaas

Pärast eemaldamist hoidke juhtmeta seadet komplekti kuuluvas karbis või staatikavabas konteineris.

TÄHELEPANU: Juhtmeta seadme eemaldamisel kasutage alati kaane tagaküljel asuvaid konkse. Kui konksud ei haaku juhtmeta seadmega, sulgege kaas täielikult ja avage aeglaselt uuesti.

Tööriista registreerimine tolmuimeja jaoks

MÄRKUS: Registreerimiseks on vajalik Makita tolmuimeja, mis toetaks juhtmeta aktiveerimise funktsiooni.

MÄRKUS: Enne tööriista registreerimist tuleb juhtmeta seade tööriista paigaldada.

MÄRKUS: Tööriista registreerimise ajal ärge tõmmake lüliti päästikut ega lülitage tolmuimeja toitelüliti sisse.

MÄRKUS: Vt ka tolmuimeja kasutusjuhendit.

Kui te soovite tolmuimeja koos tööriista lüliti toimimisega aktiveerida, siis peate kõigepealt lõpetama tööriista registreerimise.

1. Paigaldage patareid nii tolmuimejasse kui ka tööriista.
2. Seadke tolmuimeja ooterežiimi lüliti asendisse „AUTO”.
► **Joon.28:** 1. Ooterežiimi lüliti
3. Vajutage tolmuimejal juhtmeta aktiveerimise nuppu ja hoidke seda 3 sekundit all, kuni juhtmeta aktiveerimise tuli hakkab roheliselt vilkuma. Seejärel vajutage samamoodi tööriista juhtmeta aktiveerimise nuppu.
► **Joon.29:** 1. Juhtmeta aktiveerimise nupp
2. Juhtmeta aktiveerimise tuli

Kui tolmuimeja ja tööriist on edukalt seotud, siis juhtmeta aktiveerimise tuled süttivad 2 sekundiks roheliselt ja hakkavad seejärel siniselt vilkuma.

MÄRKUS: Juhtmeta aktiveerimise lambid lõpetavad roheliselt vilkumise 20 sekundi pärast. Vajutage juhtmeta aktiveerimise nuppu tööriistal, kui puhastajal vilgub juhtmeta aktiveerimise tuli. Kui juhtmeta aktiveerimise tuli ei vilgu roheliselt, siis vajutage korraks juhtmeta aktiveerimise nuppu ja hoidke seda uuesti all.

MÄRKUS: Sidudes kahte või enamat tööriista ühe tolmuimejaga, lõpetage tööriistade registreerimine ükshaaval.

Juhtmeta aktiveerimise funktsiooni käivitamine

MÄRKUS: Enne juhtmeta aktiveerimist tuleb lõpetada tööriista tolmuimejaga sidumine.

MÄRKUS: Vt ka tolmuimeja kasutusjuhendit.

Pärast tööriista sidumist tolmuimejaga, käivitub tolmuimeja automaatselt tööriista lülite abil.

1. Paigaldage juhtmeta seade tööriista sisse.
2. Ühendage tolmuimeja voolik tööriistaga.
► **Joon.30**
3. Seadke tolmuimeja ooterežiimi lüliti asendisse „AUTO”.
► **Joon.31:** 1. Ooterežiimi lüliti
4. Vajutage korraks tööriistal olevat juhtmeta aktiveerimise nuppu. Juhtmeta aktiveerimise tuli vilgub siniselt.
► **Joon.32:** 1. Juhtmeta aktiveerimise nupp
2. Juhtmeta aktiveerimise tuli
5. Tõmmake tööriista lüliti päästikut. Kontrollige, kas tolmuimeja lüliti päästik töötab tõmbamise ajal.

Tolmuimeja juhtmeta aktiveerimise peatamiseks vajutage tööriista juhtmeta aktiveerimise nuppu.

MÄRKUS: Tööriista juhtmeta aktiveerimise tuli lõpetab siniselt vilkumise, kui 2 tunni jooksul ei tehta ühtegi toimingut. Sellisel juhul seadke tolmuimeja ooterežiimi lüliti asendisse „AUTO” ja vajutage tööriistal uuesti juhtmeta aktiveerimise nuppu.

MÄRKUS: Tolmuimeja alustab/peatub viivitusega. Kui tolmuimeja tuvastab tööriista lüliti toimimise, esineb viivitus.

MÄRKUS: Juhtmeta seadme edastamise kaugus võib olenevalt asukohast ja ümbritsevatest oludest erineda.

MÄRKUS: Kui kaks või enam tööriista seotakse ühe tolmuimejaga, siis võib tolmuimeja hakata tööle isegi siis, kui te pole lüliti päästikut tõmmanud, sest juhtmeta aktiveerimise funktsiooni kasutab mõni teine kasutaja.

Juhtmeta aktiveerimise tule oleku kirjeldus

► Joon.33: 1. Juhtmeta aktiveerimise tuli

Juhtmeta aktiveerimise tuli näitab juhtmeta aktiveerimise funktsiooni olekut. Tule oleku tähendust näete allolevast tabelist.

Olek	Juhtmeta aktiveerimise tuli				Kirjeldus
	Värv	 Põleb	 Vilgub	Kestus	
Ooteaeg	Sinine			2 tundi	Tolmuimeja juhtmeta aktiveerimine on saadaval. Tuli lülitub automaatselt välja, kui 2 tunni jooksul ei tehta ühtegi toimingut.
				Kui tööriist on käivitatud.	Tolmuimeja juhtmeta aktiveerimine on saadaval ja tööriist on käivitatud.
Tööriista registreerimine	Roheline			20 sekundit	Valmis tööriista registreerimiseks. Tolmuimeja poolse registreerimise ootamine.
				2 sekundit	Tööriista registreerimine on lõpetatud. Juhtmeta aktiveerimise tuli hakkab siniselt vilkuma.
Tööriista registreerimise tühistamine	Punane			20 sekundit	Valmis tööriista registreerimise tühistamiseks. Tolmuimeja poolse tühistamise ootamine.
				2 sekundit	Tööriista registreerimise tühistamine on lõpetatud. Juhtmeta aktiveerimise tuli hakkab siniselt vilkuma.
Muu	Punane			3 sekundit	Juhtmeta seade on ühendatud toitega ja juhtmeta aktiveerimise funktsioon käivitub.
	Väljas	-		-	Tolmuimeja juhtmeta aktiveerimine on peatatud.

Tööriista registreerimise tühistamine tolmuimeja jaoks

Tööriista registreerimise tühistamiseks tolmuimeja jaoks tuleb toimida alljärgnevalt.

1. Paigaldage patareid nii tolmuimejasse kui ka tööriista.
2. Seadke tolmuimeja ooterežiimi lüliti asendisse „AUTO”.
3. Vajutage tolmuimejal juhtmeta aktiveerimise nuppu ja hoidke seda 6 sekundit all. Juhtmeta aktiveerimise tuli vilgub roheliselt ja muutub seejärel punaseks. Seejärel vajutage samamoodi tööriista juhtmeta aktiveerimise nuppu.

- **Joon.34:** 1. Ooterežiimi lüliti
- **Joon.35:** 1. Juhtmeta aktiveerimise nupp
2. Juhtmeta aktiveerimise tuli

Kui tolmuimeja ja tööriist on edukalt lahutatud, siis juhtmeta aktiveerimise tuled süttivad 2 sekundiks punaselt ja seejärel hakkavad need siniselt vilkuma.

MÄRKUS: Juhtmeta aktiveerimise lambid lõpetavad punaselt vilkumise 20 sekundi pärast. Vajutage juhtmeta aktiveerimise nuppu tööriistal, kui puhastajal vilgub juhtmeta aktiveerimise tuli. Kui juhtmeta aktiveerimise tuli ei vilgu punaselt, siis vajutage korraks juhtmeta aktiveerimise nuppu ja hoidke seda uuesti all.

Juhtmeta aktiveerimise funktsiooni veaotsing

Enne remonditöökotta pöördumist kontrollige niidukit ise. Ärge üritage niidukit lahti võtta, kui leiate probleemi, mida kasutusjuhendis ei kirjeldata. Selle asemel pöörduge Makita volitatud teeninduskeskusesse, kus kasutatakse remon-
timisel alati Makita tagavaraosi.

Tõrge	Võimalik põhjus (riike)	Lahendus
Juhtmeta aktiveerimise tuli ei põle / ei vilgu.	Tööriista sisse ei ole juhtmeta seadet paigaldatud. Juhtmeta seade on tööriista sisse valesti paigaldatud.	Paigaldage juhtmeta seade õigesti.
	Juhtmeta seadme klemm ja/või pesa on määrduanud.	Pühkige juhtmeta seadme klemmilt ettevaatlikult tolm ja mustus ning puhastage pesa.
	Tööriistal olevat juhtmeta aktiveerimise nuppu ei ole vajutatud.	Vajutage korraks tööriistal olevat juhtmeta aktiveerimise nuppu.
	Tolmuimeja ooterežiimi lüliti ei ole seadud asendisse „AUTO“.	Seadke tolmuimeja ooterežiimi lüliti asendisse „AUTO“.
	Puudub toiteallikas	Varustage tööriist ja tolmuimeja toiteallikaga.
Tööriista registreerimist / tööriista registreerimise tühistamist ei õnnestu edukalt lõpetada.	Tööriista sisse ei ole juhtmeta seadet paigaldatud. Juhtmeta seade on tööriista sisse valesti paigaldatud.	Paigaldage juhtmeta seade õigesti.
	Juhtmeta seadme klemm ja/või pesa on määrduanud.	Pühkige juhtmeta seadme klemmilt ettevaatlikult tolm ja mustus ning puhastage pesa.
	Tolmuimeja ooterežiimi lüliti ei ole seadud asendisse „AUTO“.	Seadke tolmuimeja ooterežiimi lüliti asendisse „AUTO“.
	Puudub toiteallikas	Varustage tööriist ja tolmuimeja toiteallikaga.
	Vale kasutamine	Vajutage korraks juhtmeta aktiveerimise nuppu ja tehke tööriista registreerimise/tühistamise toimingud uuesti.
	Tööriist ja tolmuimeja asuvad teineteisest liiga kaugel (on edastamise ulatusest väljas).	Viige tööriist ja tolmuimeja üksteisele lähemale. Maksimaalne ülekandekaugus on umbes 10 m, kuid see võib olenevalt asjaoludest varieeruda.
	Enne tööriista registreerimise/tühistamise lõpetamist; - tööriista lüliti päästik on tõmmatud või; - tolmuimeja toitenupp on sisse lülitatud.	Vajutage korraks juhtmeta aktiveerimise nuppu ja tehke tööriista registreerimise/tühistamise toimingud uuesti.
	Tööriista või tolmuimeja sidumistoimingud on lõpetamata.	Tehke samal ajal nii tööriista kui ka tolmuimeja registreerimistoimingud.
	Teiste seadmete tekitatud raadiohäiring, mis tekitab väga intensiivseid raadiolaineid.	Hoidke tööriista ja tolmuimejat WIFI-seadmetest ja mikrolaineahjust eemal.
Tolmuimeja ei tööta tööriista lüliti kaudu.	Tööriista sisse ei ole juhtmeta seadet paigaldatud. Juhtmeta seade on tööriista sisse valesti paigaldatud.	Paigaldage juhtmeta seade õigesti.
	Juhtmeta seadme klemm ja/või pesa on määrduanud.	Pühkige juhtmeta seadme klemmilt ettevaatlikult tolm ja mustus ning puhastage pesa.
	Tööriistal olevat juhtmeta aktiveerimise nuppu ei ole vajutatud.	Vajutage korraks juhtmeta aktiveerimise nuppu ja veenduge, et juhtmeta aktiveerimise tuli vilguks siniselt.
	Tolmuimeja ooterežiimi lüliti ei ole seadud asendisse „AUTO“.	Seadke tolmuimeja ooterežiimi lüliti asendisse „AUTO“.
	Tolmuimejaga on seotud üle 10 tööriista.	Tehke registreerimistoiming uuesti. Kui tolmuimejaga on seotud üle 10 tööriista, siis kõige esimesena registreeritud tööriista sidumine tühistatakse automaatselt.
	Tolmuimeja kustutas kõik registreeritud tööriistad.	Registreerige tööriist uuesti.
	Puudub toiteallikas	Varustage tööriist ja tolmuimeja toiteallikaga.
	Tööriist ja tolmuimeja asuvad teineteisest liiga kaugel (on edastamise ulatusest väljas).	Viige tööriist ja tolmuimeja üksteisele lähemale. Maksimaalne ülekandekaugus on umbes 10 m, kuid see võib olenevalt asjaoludest varieeruda.
	Teiste seadmete tekitatud raadiohäiring, mis tekitab väga intensiivseid raadiolaineid.	Hoidke tööriista ja tolmuimejat WIFI-seadmetest ja mikrolaineahjust eemal.
Tolmuimeja töötab ajal, kui tööriista lüliti päästik ei tõmmata.	Teised kasutajad kasutavad oma tööriistaga tolmuimeja juhtmeta aktiveerimist.	Lülitage teiste tööriistade juhtmeta aktiveerimise nupp välja või tühistage teiste tööriistade registreerimine.

HOOLDUS

⚠ETTEVAATUST: Enne kontroll- või hooldustoimingute tegemist kandke alati hoolt selle eest, et tööriist oleks välja lülitatud ja akukassett korpuse küljest eemaldatud.

TÄHELEPANU: Ärge kunagi kasutage bensiini, vedeldit, alkoholi ega midagi muud sarnast. Selle tulemuseks võib olla luitumine, deformatsioon või pragunemine.

Toote OHUTUSE ja TÕÖKINDLUSE tagamiseks tuleb vajalikud remonttööd ning muud hooldus- ja reguleerimistööd lasta teha Makita volitatud teeninduskeskustes või tehase teeninduskeskustes. Alati tuleb kasutada Makita varuosi.

Pärast kasutamist

Pühkige tööriista regulaarselt kuiva või kergelt seebi-veega niisutatud lapiga.

VALIKULISED TARIKUD

⚠ETTEVAATUST: Neid tarvikuid ja lisaseadiseid on soovitatav kasutada koos Makita tööriistaga, mille kasutamist selles kasutusjuhendis kirjeldatakse. Muude tarvikute ja lisaseadiste kasutamisega kaasneb vigastada saamise oht. Kasutage tarvikuid ja lisaseadiseid ainult otstarbekohaselt.

Saate vajaduse korral kohalikust Makita teeninduskeskusest lisateavet nende tarvikute kohta.

- Lihvpaber (ettetehtud aukudega)
- Takjakinnitusega lihvpaber
- Augustusplaat
- Aluspadi (takjakinnitusega lihvpaberiga kasutamiseks)
- Aluspadi (tavalise lihvpaberiga kasutamiseks)
- Tolmukott
- Tolmukarp
- Filter
- Voolik
- Juhtmeta seade (Ainult mudeli DBO381 puhul)
- Akukaitse
- Makita algupärane aku ja laadija

MÄRKUS: Mõned nimekirjas loetletud tarvikud võivad kuuluda standardvarustusse ning need on lisatud tööriista pakendisse. Need võivad riigiti erineda.

ТЕХНИЧЕСКИЕ ХАРАКТЕРИСТИКИ

Модель:	DVO380	DVO381
Размер опорной пластины	92 мм × 185 мм	
Размер шлифовальной бумаги	93 мм × 228 мм	
Частота вращения	Высокая	12 000 мин ⁻¹
	Средняя	8 000 мин ⁻¹
	Низкая	4 000 мин ⁻¹
Общая длина (с передней рукояткой)	336 мм	
Номинальное напряжение	18 В пост. тока	
Масса нетто	1,9–2,2 кг	

- Благодаря нашей постоянно действующей программе исследований и разработок указанные здесь технические характеристики могут быть изменены без предварительного уведомления.
- Технические характеристики и аккумуляторный блок могут отличаться в зависимости от страны.
- Масса может отличаться в зависимости от дополнительного оборудования. Обратите внимание, что блок аккумулятора также считается дополнительным оборудованием. В таблице представлены комбинации с наибольшим и наименьшим весом в соответствии с процедурой EPTA 01/2014.

Подходящий блок аккумулятора и зарядное устройство

Блок аккумулятора	BL1815N / BL1820B / BL1830B / BL1840B / BL1850B / BL1860B
Зарядное устройство	DC18RC / DC18RD / DC18RE / DC18SD / DC18SE / DC18SF / DC18SH

- В зависимости от региона проживания некоторые блоки аккумуляторов и зарядные устройства, перечисленные выше, могут быть недоступны.

⚠ОСТОРОЖНО: Используйте только перечисленные выше блоки аккумуляторов и зарядные устройства. Использование других блоков аккумуляторов и зарядных устройств может привести к травме и/или пожару.

Назначение

Инструмент предназначен для шлифовки больших поверхностей из древесины, пластмассы и металлических материалов, а также окрашенных поверхностей.

Шум

Типичный уровень взвешенного звукового давления (A), измеренный в соответствии с EN62841-2-4:

Модель DVO380

Уровень звукового давления (L_{pA}): 72 дБ (A)

Погрешность (K): 3 дБ (A)

Модель DVO381

Уровень звукового давления (L_{pA}): 72 дБ (A)

Погрешность (K): 3 дБ (A)

Уровень шума при выполнении работ может превышать 80 дБ (A).

ПРИМЕЧАНИЕ: Заявленное значение распространения шума измерено в соответствии со стандартной методикой испытаний и может быть использовано для сравнения инструментов.

ПРИМЕЧАНИЕ: Заявленное значение распространения шума можно также использовать для предварительных оценок воздействия.

⚠ОСТОРОЖНО: Используйте средства защиты слуха.

⚠ОСТОРОЖНО: Распространение шума во время фактического использования электроинструмента может отличаться от заявленного значения в зависимости от способа применения инструмента и в особенности от типа обрабатываемой детали.

⚠ОСТОРОЖНО: Обязательно определите меры безопасности для защиты оператора, основанные на оценке воздействия в реальных условиях использования (с учетом всех этапов рабочего цикла, таких как выключение инструмента, работа без нагрузки и включение).

Вибрация

Суммарное значение вибрации (сумма векторов по трем осям), определенное в соответствии с EN62841-2-4:

Модель DVO380

Рабочий режим: шлифовка металлической пластины

Распространение вибрации (a_{h1}): 3,6 м/с²

Погрешность (K): 1,5 м/с²

Модель DBO381

Рабочий режим: шлифовка металлической пластины

Распространение вибрации (a_h): 3,6 м/с²

Погрешность (K): 1,5 м/с²

ПРИМЕЧАНИЕ: Заявленное общее значение распространения вибрации измерено в соответствии со стандартной методикой испытаний и может быть использовано для сравнения инструментов.

ПРИМЕЧАНИЕ: Заявленное общее значение распространения вибрации можно также использовать для предварительных оценок воздействия.

⚠ОСТОРОЖНО: Распространение вибрации во время фактического использования электроинструмента может отличаться от заявленного значения в зависимости от способа применения инструмента и в особенности от типа обрабатываемой детали.

⚠ОСТОРОЖНО: Обязательно определите меры безопасности для защиты оператора, основанные на оценке воздействия в реальных условиях использования (с учетом всех этапов рабочего цикла, таких как выключение инструмента, работа без нагрузки и включение).

Декларация о соответствии ЕС

Только для европейских стран

Декларация о соответствии ЕС включена в руководство по эксплуатации (Приложение А).

МЕРЫ БЕЗОПАСНОСТИ

Общие рекомендации по технике безопасности для электроинструментов

⚠ОСТОРОЖНО: Ознакомьтесь со всеми представленными инструкциями по технике безопасности, указаниями, иллюстрациями и техническими характеристиками, прилагаемыми к данному электроинструменту. Несоблюдение каких-либо инструкций, указанных ниже, может привести к поражению электрическим током, пожару и/или серьезной травме.

Сохраните брошюру с инструкциями и рекомендациями для дальнейшего использования.

Термин "электроинструмент" в предупреждениях относится ко всему инструменту, работающему от сети (с проводом) или на аккумуляторах (без провода).

Меры безопасности при использовании шлифовальной машины

1. Обязательно надевайте защитные очки или защитную маску для лица. Обычные или солнцезащитные очки НЕ ЯВЛЯЮТСЯ защитными очками.
2. Крепко держите инструмент.
3. Не оставляйте работающий инструмент без присмотра. Включайте инструмент только тогда, когда он находится в руках.
4. Данный инструмент не является водонепроницаемым, поэтому не следует использовать воду на поверхности обрабатываемой детали.
5. При выполнении шлифовки обеспечьте хорошую вентиляцию места проведения работ.
6. Некоторые материалы могут содержать токсичные химические вещества. Примите соответствующие меры предосторожности, чтобы избежать вдыхания или контакта с кожей таких веществ. Соблюдайте требования, указанные в паспорте безопасности материала.
7. Использование данного инструмента для шлифовки некоторых материалов, краски и древесины может привести к воздействию на пользователя пыли, содержащей опасные вещества. Используйте соответствующие средства защиты органов дыхания.
8. Перед использованием убедитесь в отсутствии трещин или разломов в платформе. Трещины или разломы могут привести к травме.
9. Работая с инструментом, всегда следите за тем, чтобы ваше положение было устойчиво. При использовании инструмента на высоте убедитесь в отсутствии людей внизу.

СОХРАНИТЕ ДАННЫЕ ИНСТРУКЦИИ.

⚠ОСТОРОЖНО: НЕ ДОПУСКАЙТЕ, чтобы удобство или опыт эксплуатации данного устройства (полученный от многократного использования) доминировали над строгим соблюдением правил техники безопасности при обращении с этим устройством. НЕПРАВИЛЬНОЕ ИСПОЛЬЗОВАНИЕ инструмента или несоблюдение правил техники безопасности, указанных в данном руководстве, может привести к тяжелой травме.

Основные правила техники безопасности для работы с аккумуляторным блоком

1. Перед использованием аккумуляторного блока прочитайте все инструкции и предупреждающие надписи на (1) зарядном устройстве, (2) аккумуляторном блоке и (3) инструменте, работающем от аккумуляторного блока.
2. Не разбирайте блок аккумулятора и не меняйте его конструкцию. Это может привести к пожару, перегреву или взрыву.
3. Если время работы аккумуляторного блока значительно сократилось, немедленно прекратите работу. В противном случае, может возникнуть перегрев блока, что приведет к ожогам и даже к взрыву.
4. В случае попадания электролита в глаза промойте их обильным количеством чистой воды и немедленно обратитесь к врачу. Это может привести к потере зрения.
5. Не замыкайте контакты аккумуляторного блока между собой:
 - (1) Не прикасайтесь к контактам какими-либо токопроводящими предметами.
 - (2) Не храните аккумуляторный блок в контейнере вместе с другими металлическими предметами, такими как гвозди, монеты и т. п.
 - (3) Не допускайте попадания на аккумуляторный блок воды или дождя.Замыкание контактов аккумуляторного блока между собой может привести к возникновению большого тока, перегреву, возможному ожогу и даже поломке блока.
6. Не храните и не используйте инструмент и аккумуляторный блок в местах, где температура может достигать или превышать 50 °C (122 °F).
7. Не бросайте аккумуляторный блок в огонь, даже если он сильно поврежден или полностью вышел из строя. Аккумуляторный блок может взорваться под действием огня.
8. Запрещено вбивать гвозди в блок аккумулятора, резать, ломать, бросать, ронять блок аккумулятора или ударять его твердым предметом. Это может привести к пожару, перегреву или взрыву.
9. Не используйте поврежденный аккумуляторный блок.
10. Входящие в комплект литий-ионные аккумуляторы должны эксплуатироваться в соответствии с требованиями законодательства об опасных товарах.

При коммерческой транспортировке, например, третьей стороной или экспедитором, необходимо нанести на упаковку специальные предупреждения и маркировку.

В процессе подготовки устройства к отправке обязательно проконсультируйтесь со специалистом по опасным материалам. Также соблюдайте местные требования и нормы. Они могут быть строже.

Закройте или закрепите разомкнутые контакты и упакуйте аккумулятор так, чтобы он не перемещался по упаковке.
11. Для утилизации блока аккумулятора извлеките его из инструмента и утилизируйте безопасным способом. Выполняйте требования местного законодательства по утилизации аккумуляторного блока.
12. Используйте аккумуляторы только с продукцией, указанной Makita. Установка аккумуляторов на продукцию, не соответствующую требованиям, может привести к пожару, перегреву, взрыву или утечке электролита.
13. Если инструментом не будет пользоваться в течение длительного периода времени, извлеките аккумулятор из инструмента.
14. Во время и после использования блок аккумулятора может нагреваться, что может стать причиной ожогов или низкотемпературных ожогов. Будьте осторожны при обращении с горячим блоком аккумулятора.
15. Не прикасайтесь к контактам инструмента сразу после использования, поскольку они могут быть достаточно горячими, чтобы вызвать ожоги.
16. Не допускайте, чтобы обломки, пыль или земля прилипали к контактам, отверстиям и пазам на блоке аккумулятора. Это может привести к снижению эксплуатационных параметров, поломке инструмента или блока аккумулятора.
17. Если инструмент не рассчитан на использование вблизи высоковольтных линий электропередач, не используйте блок аккумулятора вблизи высоковольтных линий электропередач. Это может привести к неисправности, поломке инструмента или блока аккумулятора.
18. Храните аккумулятор в недоступном для детей месте.

СОХРАНИТЕ ДАННЫЕ ИНСТРУКЦИИ.

⚠ВНИМАНИЕ: Используйте только фирменные аккумуляторные батареи Makita. Использование аккумуляторных батарей, не произведенных Makita, или батарей, которые были подвергнуты модификациям, может привести к взрыву аккумулятора, пожару, травмам и повреждению имущества. Это также автоматически аннулирует гарантию Makita на инструмент и зарядное устройство Makita.

Советы по обеспечению максимального срока службы аккумулятора

1. Заряжайте блок аккумуляторов перед его полной разрядкой. Обязательно прекратите работу с инструментом и зарядите блок аккумуляторов, если вы заметили снижение мощности инструмента.
2. Никогда не подзаряжайте полностью заряженный блок аккумуляторов. Перезарядка сокращает срок службы аккумулятора.

3. Заряжайте блок аккумулятора при комнатной температуре в 10 - 40 °C (50 - 104 °F). Перед зарядкой горячего блока аккумулятора дайте ему остыть.
4. Если блок аккумулятора не используется, извлеките его из инструмента или зарядного устройства.
5. Зарядите ионно-литиевый аккумуляторный блок, если вы не будете пользоваться инструментом длительное время (более шести месяцев).
16. Во время работы обязательно закрывайте крышку гнезда.
17. Не вытаскивайте беспроводной блок из гнезда, если на инструмент подано питание. Это может привести к неисправной работе беспроводного блока.
18. Не снимайте наклейку с беспроводного блока.
19. Не приклеивайте к беспроводному блоку никакие наклейки.
20. Не оставляйте беспроводной блок в таких местах, где может скапливаться статическое электричество или присутствовать электрические помехи.

Важные правила техники безопасности для работы с беспроводным блоком

1. Не разбирайте и не меняйте конструкцию беспроводного блока.
2. Храните беспроводной блок в недоступном для детей месте. При случайном проглатывании немедленно обратитесь к врачу.
3. Используйте беспроводной блок только с инструментами Makita.
4. Не подвергайте беспроводной блок воздействию дождя или влаги.
5. Не используйте беспроводной блок в тех местах, где температура превышает 50 °C.
6. Не используйте беспроводной блок в тех местах, где поблизости могут находиться медицинские инструменты, например, кардиостимуляторы.
7. Не используйте беспроводной блок в тех местах, где могут находиться автоматизированные устройства. При использовании автоматизированных устройств могут возникнуть сбои или ошибки.
8. Не используйте беспроводной блок в местах, где он может подвергаться воздействию высокой температуры, статического электричества или электрических помех.
9. Беспроводной блок может создавать электромагнитные поля (EMF), которые не представляют опасности для пользователя.
10. Беспроводной блок является точным инструментом. Не роняйте и не ударяйте беспроводной блок.
11. Не прикасайтесь к клемме беспроводного блока голыми руками или металлическими предметами.
12. Во время установки беспроводного блока обязательно вытащите аккумулятор из устройства.
13. Не открывайте крышку гнезда в таких местах, где в него может попасть пыль и вода. Входное отверстие гнезда всегда должно быть чистым.
14. Обязательно вставляйте беспроводной блок в правильном направлении.
15. Не нажимайте слишком сильно кнопку активации на беспроводном блоке и/или не нажимайте кнопку, используя объекты с острым краем.
21. Не оставляйте беспроводной блок в местах с высокой температурой, например на сиденье автомобиля в жару.
22. Не оставляйте беспроводной блок в местах, где присутствует пыль или порошок, или может образоваться коррозионный газ.
23. Внезапное изменение температуры может привести к образованию конденсата на беспроводном блоке. Не используйте беспроводной блок до тех пор, пока конденсат полностью не высохнет.
24. При чистке беспроводного блока аккуратно протрите его сухой мягкой тканью. Не используйте бензин, разбавитель, проводящую смазку или аналогичные материалы.
25. При хранении беспроводного блока поместите его в поставляемый футляр или в контейнер без статического электричества.
26. Не вставляйте в гнездо на инструменте никаких других устройств, кроме беспроводного блока Makita.
27. Не используйте инструмент с поврежденной крышкой гнезда. В гнездо может попасть вода, пыль и грязь, это может привести к неисправности.
28. Не тяните и/или не скручивайте крышку гнезда сильнее, чем это необходимо. Если крышка отсоединилась от инструмента, установите ее на место.
29. Замените крышку гнезда, если она утеряна или повреждена.

СОХРАНИТЕ ДАННЫЕ ИНСТРУКЦИИ.

ОПИСАНИЕ РАБОТЫ

ВНИМАНИЕ: Перед регулировкой или проверкой функций инструмента обязательно убедитесь, что он выключен и его аккумуляторный блок снят.

Установка или снятие блока аккумуляторов

ВНИМАНИЕ: Обязательно выключайте инструмент перед установкой и извлечением аккумуляторного блока.

ВНИМАНИЕ: При установке и извлечении аккумуляторного блока крепко удерживайте инструмент и аккумуляторный блок. Если не соблюдать это требование, они могут выскользнуть из рук, что приведет к повреждению инструмента, аккумуляторного блока и травмированию оператора.

► **Рис.1:** 1. Красный индикатор 2. Кнопка 3. Блок аккумулятора

Для снятия аккумуляторного блока нажмите кнопку на лицевой стороне и извлеките блок.

Для установки блока аккумулятора совместите выступ блока аккумулятора с пазом в корпусе и задвиньте его на место. Устанавливайте блок до упора, чтобы он зафиксировался с небольшим щелчком. Если вы видите красный индикатор, как показано на рисунке, он не зафиксирован полностью.

ВНИМАНИЕ: Обязательно устанавливайте блок аккумулятора до конца, чтобы красный индикатор не был виден. В противном случае блок аккумулятора может выпасть из инструмента и нанести травму вам или другим людям.

ВНИМАНИЕ: Не прилагайте чрезмерных усилий при установке аккумуляторного блока. Если блок не двигается свободно, значит он вставлен неправильно.

Защита аккумулятора

Используйте защиту аккумулятора, поставляемую с инструментом, для защиты и экранирования блока аккумулятора.

ВНИМАНИЕ: Перед установкой и снятием защиты аккумулятора всегда снимайте блок аккумулятора с инструмента.

ВНИМАНИЕ: Никогда не держите инструмент за защиту аккумулятора при переносе из одного места в другое или когда просто держите его, но не используете.

ПРИМЕЧАНИЕ: Защита аккумулятора может быть установлена только для аккумуляторов модели BL1830B / BL1840B / BL1850B / BL1860B.

Индикация оставшегося заряда аккумулятора

Только для блоков аккумулятора с индикатором

► **Рис.2:** 1. Индикаторы 2. Кнопка проверки

Нажмите кнопку проверки на аккумуляторном блоке для проверки заряда. Индикаторы загорятся на несколько секунд.

Индикаторы			Уровень заряда
Горит	Выкл.	Мигает	
■	□	◐	от 75 до 100%
■ ■ ■ ■			
■ ■ ■ □			от 50 до 75%
■ ■ □ □			от 25 до 50%
■ □ □ □			от 0 до 25%
◐ □ □ □			Зарядите аккумуляторную батарею.
■ ■ □ □	↑ ↓	□ □ ■ ■	Возможно, аккумуляторная батарея неисправна.

ПРИМЕЧАНИЕ: В зависимости от условий эксплуатации и температуры окружающего воздуха индикация может незначительно отличаться от фактического значения.

ПРИМЕЧАНИЕ: Первая (дальняя левая) индикаторная лампа будет мигать во время работы защитной системы аккумулятора.

Система защиты инструмента/ аккумулятора

На инструменте предусмотрена система защиты инструмента/аккумулятора. Она автоматически отключает питание двигателя для продления срока службы инструмента и аккумулятора. Инструмент автоматически остановится во время работы в следующих случаях:

Защита от перегрузки

Если из-за способа эксплуатации инструмент или аккумулятор потребляет очень большое количество тока, он автоматически остановится без включения каких-либо индикаторов. В этом случае выключите инструмент и прекратите работу, повлекшую перегрузку инструмента. Затем включите инструмент для перезапуска.

Защита от перегрева

При перегреве инструмента или аккумулятора инструмент останавливается автоматически. В этом случае дайте инструменту/аккумулятору остыть перед повторным включением.

Защита от перерезадрядки

При истощении емкости аккумулятора инструмент автоматически останавливается. В этом случае извлеките аккумулятор из инструмента и зарядите его.

Действие выключателя

ВНИМАНИЕ: Не включайте инструмент, когда он находится на обрабатываемой детали или на рабочем столе. Это может привести к травмам или повреждению.

Включение и выключение инструмента

Чтобы запустить инструмент, нажмите кнопку питания / выбора скорости в верхней части основной ручки. Инструмент начинает работать с максимальной скоростью.

Нажмите кнопку остановки, чтобы приостановить или прекратить работу.

- **Рис.3:** 1. Кнопка питания / выбора скорости
2. Кнопка остановки 3. Основная ручка

Изменение скорости инструмента

В зависимости от задачи и рабочей нагрузки предлагаются три режима скорости: высокая, средняя и низкая.

Нажмите кнопку питания / выбора скорости, чтобы переключить режим скорости.

- **Рис.4:** 1. Кнопка питания / выбора скорости

Таблица настроек скорости

Уровень скорости	Число движений в минуту
3 (высокая)	12 000 мин ⁻¹ (/мин)
2 (средняя)	8 000 мин ⁻¹ (/мин)
1 (низкая)	4 000 мин ⁻¹ (/мин)

ПРИМЕЧАНИЕ: Если инструментом пользоваться непрерывно на низкой скорости в течение продолжительного времени, двигатель будет перегружен, что приведет к поломке инструмента.

ПРИМЕЧАНИЕ: Выберите подходящий диапазон скорости для шлифования, чтобы избежать перегрева и расплавления обрабатываемой детали. Шлифовка на высокой скорости может привести к нагреву обрабатываемой детали и ее расплавлению в точке контакта.

Электронная функция

Для простоты эксплуатации инструмент оснащен электронной функцией.

Постоянный контроль скорости

Эта функция обеспечивает постоянную скорость шлифования для выполнения чистовой отделки.

СБОРКА

ВНИМАНИЕ: Перед проведением каких-либо работ с инструментом обязательно убедитесь, что инструмент отключен, а блок аккумулятора снят.

Установка и снятие шлифовальной бумаги

ВНИМАНИЕ: Перед использованием убедитесь, что лист шлифовальной бумаги надежно закреплен. В противном случае бумага будет болтаться, скользить и отпасть, что приведет к неравномерной шлифовке.

Использование шлифовальной бумаги, поставляемой с инструментом

1. Нажмите рычаг зажима на переднем или заднем конце опорной пластины и выведите его из-под стопора, чтобы зажим раскрылся.
2. Оттяните рычаг зажима как можно дальше, чтобы зажим отошел от боковой стенки шлифовальной основы и образовался зазор, в который можно вставить один конец шлифовальной бумаги.
► **Рис.5:** 1. Рычаг зажима 2. Стопор 3. Зажим 4. Шлифовальная основа 5. Опорная пластина
3. Положите лист шлифовальной бумаги на опорную пластину, совместив отверстия для всасывания пыли в бумаге с отверстиями в опорной пластине.
► **Рис.6:** 1. Шлифовальная бумага 2. Опорная пластина 3. Отверстие для всасывания пыли
4. Вставьте один конец шлифовальной бумаги в зазор между зажимом и шлифовальной основой.
5. Установите рычаг зажима обратно в заблокированное положение, чтобы конец шлифовальной бумаги был надежно зажат.
6. Освободите зажим на другом конце и пригните другой конец шлифовальной бумаги для зажатия.
7. Хорошо натяните шлифовальную бумагу, а затем установите рычаг зажима на другом конце в заблокированное положение.
► **Рис.7:** 1. Шлифовальная бумага 2. Зажим 3. Шлифовальная основа 4. Рычаг зажима 5. Стопор
8. Чтобы удалить шлифовальную бумагу, ослабьте зажимы с обоих концов и снимите бумагу с опорной пластины.

Использование шлифовальной бумаги серийного производства

1. Отрежьте лист шлифовальной бумаги подходящего размера.

► **Рис.8:** 1. Шлифовальная бумага 2. Опорная пластина

2. Нажмите рычаг зажима на переднем или заднем конце опорной пластины и выведите его из-под стопора, чтобы зажим раскрылся.

3. Оттяните рычаг зажима как можно дальше, чтобы зажим отошел от боковой стенки шлифовальной основы и образовался зазор, в который можно вставить один конец шлифовальной бумаги.

4. Вставьте один конец шлифовальной бумаги в зазор между зажимом и шлифовальной основой.

5. Уложите шлифовальную бумагу точно по поверхности опорной пластины.

6. Установите рычаг зажима обратно в заблокированное положение, надежно зажав конец шлифовальной бумаги.

7. Освободите зажим на другом конце и приготовьте другой конец шлифовальной бумаги для зажатия.

8. Хорошо натяните шлифовальную бумагу, а затем установите рычаг зажима на другом конце в заблокированное положение.

► **Рис.9:** 1. Шлифовальная бумага 2. Зажим 3. Шлифовальная основа 4. Рычаг зажима 5. Стопор

9. Накройте шлифовальную бумагу перфорирующей пластиной с установочными планками, образующими угол, выравнивая их с двумя боковыми кромками опорной пластины и шлифовальной основы.

► **Рис.10:** 1. Шлифовальная бумага 2. Перфорирующая пластина 3. Установочные планки 4. Опорная пластина 5. Шлифовальная основа

10. Надавите на перфорирующую пластину поверх шлифовальной бумаги, чтобы в бумаге образовались отверстия для всасывания пыли.

11. Чтобы удалить шлифовальную бумагу, ослабьте зажимы с обоих концов и снимите бумагу с опорной пластины.

Использование шлифовальной бумаги с креплением типа “липучка”

Дополнительная принадлежность

ВНИМАНИЕ: Убедитесь, что опорная пластина с креплением типа “липучка” установлена правильно и надежно. ненадежное крепление вызовет нарушение балансировки и чрезмерную вибрацию, что приведет к потере контроля над инструментом.

ВНИМАНИЕ: Убедитесь, что опорная пластина с креплением типа “липучка” и шлифовальная бумага выровнены и надежно закреплены.

ВНИМАНИЕ: Используйте только шлифовальную бумагу с креплением типа “липучка”. Никогда не используйте шлифовальную бумагу, чувствительную к давлению.

1. Открутите и выньте четыре винта, которыми опорная пластина крепится к шлифовальной основе.

2. Замените стандартную опорную пластину дополнительной опорной пластиной с креплением типа “липучка”.

3. Снова хорошо затяните винты, чтобы закрепить опорную пластину с креплением типа “липучка”.

► **Рис.11:** 1. Винты 2. Шлифовальная основа 3. Опорная пластина

4. Полностью очистите опорную пластину с креплением типа “липучка” от грязи и посторонних частиц.

5. Прикрепите лист дополнительной шлифовальной бумаги с креплением типа “липучка” на опорную пластину, совместив отверстия для всасывания пыли в бумаге с отверстиями в опорной пластине.

► **Рис.12:** 1. Шлифовальная бумага 2. Опорная пластина 3. Отверстия для всасывания пыли

6. Чтобы удалить шлифовальную бумагу, сдерите ее, начиная с края.

ВНИМАНИЕ: При замене опорной пластины из шлифовальной основы может выскочить уплотнительное кольцо. Прежде чем устанавливать дополнительную опорную пластину, вставьте уплотнительное кольцо обратно в круглый паз вокруг центра основы.

► **Рис.13:** 1. Уплотнительное кольцо 2. Шлифовальная основа 3. Круглый паз

Установка и снятие пылесборного мешка

Дополнительная принадлежность

Наденьте пылесборный мешок на сужающийся пылевыпускной патрубок сзади корпуса двигателя. Вставьте пылевыпускной патрубок до упора во входной канал пылесборного мешка, чтобы мешок не соскользнул в процессе работы.

► **Рис.14:** 1. Пылевыпускной патрубок 2. Входной канал пылесборного мешка 3. Пылесборный мешок

ПРИМЕЧАНИЕ: Пылесборный мешок должен устанавливаться так, чтобы бегунок молнии был направлен вниз.

ПРИМЕЧАНИЕ: Чтобы пыль собиралась нормально, опорожняйте пылесборный мешок, когда он заполнится примерно до половины. Снимите пылесборный мешок с инструмента и вытяните фиксатор. Затем осторожно встряхните пылесборный мешок или постучите по нему, чтобы опустошить его.

Установка и снятие пылесборного блока

Дополнительная принадлежность

Наденьте пылесборный блок на сужающийся пылевыпускной патрубок сзади корпуса двигателя. Вставьте пылевыпускной патрубок до упора в пылесборный патрубок блока, чтобы блок не соскользнул в процессе работы.

- **Рис.15:** 1. Пылевыпускной патрубок 2. Пылесборный патрубок 3. Пылесборный блок

ПРИМЕЧАНИЕ: Чтобы пыль собиралась нормально, опорожняйте пылесборный блок, когда он заполнится примерно до половины.

1. Снимите пылесборный блок с инструмента.
2. Отсоедините пылесборный патрубок от блока, нажав и удерживая фиксирующие защелки с обеих сторон блока.
3. Осторожно вытряхните пылесборный блок или постучите по нему, чтобы опустошить его.

Замена фильтра

ПРИМЕЧАНИЕ: При сборке компонентов следите за тем, чтобы логотипы на пылесборном блоке, фильтре и пылесборном патрубке были расположены правильно.

1. Снимите пылесборный блок с инструмента.
2. Отсоедините пылесборный патрубок от блока, нажав и удерживая фиксирующие защелки с обеих сторон блока.
► **Рис.16:** 1. Пылесборный патрубок 2. Пылесборный блок 3. Фиксирующая защелка
3. Возьмитесь изнутри за верхний край картонной панели фильтра с отверстием и потяните его вниз, чтобы высвободить внешний верхний край картонной панели из-под верхнего язычка на входной кромке пылесборного блока.
4. Извлеките фильтр из пылесборного блока, вытянув внешний нижний край картонной панели с отверстием из-за нижнего язычка.
► **Рис.17:** 1. Фильтр 2. Картонная панель фильтра с отверстием 3. Верхний язычок 4. Нижний язычок 5. Пылесборный блок
5. Замените фильтр, вставив нижний край картонной панели с отверстием за нижний язычок и вдавив ее верхний край внутрь, пока он не окажется за верхним язычком.
► **Рис.18:** 1. Фильтр 2. Картонная панель фильтра с отверстием 3. Верхний язычок 4. Нижний язычок 5. Пылесборный блок
6. Установите пылесборный патрубок на место, нажав и удерживая фиксирующие защелки с обеих сторон пылесборного блока.

- **Рис.19:** 1. Пылесборный патрубок 2. Пылесборный блок 3. Фиксирующая защелка

Демонтаж и установка передней рукоятки

▲ВНИМАНИЕ: Собрав переднюю рукоятку, потяните за нее, чтобы убедиться в надежности ее фиксации.

ПРИМЕЧАНИЕ: Убедитесь, что передняя рукоятка полностью вошла в гнездо, и, удерживая его на месте, вращайте переднюю рукоятку. Несоблюдение этого требования может привести к повреждению инструмента.

Сняв съемную переднюю рукоятку, можно спокойно выполнять шлифование в тесных, ограниченных и труднодоступных местах.

Демонтаж

Вдавите переднюю рукоятку в корпус двигателя и поверните ее на 90 градусов влево или вправо. Затем вытяните ее из инструмента.

Установка

Вставьте конец передней рукоятки в гнездо на корпусе двигателя, сопоставив их контуры так, чтобы рукоятка легко вошла в гнездо.

Вдавите переднюю рукоятку в корпус и поверните ее на 90 градусов, чтобы поверхность захвата была обращена вверх.

- **Рис.20:** 1. Передняя рукоятка 2. Гнездо 3. Корпус двигателя 4. Поверхность захвата

Подключение пылесоса

Дополнительная принадлежность

Для меньшего засорения рабочей зоны при шлифовании подсоедините к инструменту пылесос Makita. Для соединения используйте либо дополнительный шланг диаметром 28 мм, либо комбинацию из передней насадки 22 и шланга, поставляемого с пылесосом.

- **Рис.21:** 1. Пылевыпускной патрубок 2. Передняя насадка 3. Шланг 4. Пылесос

ЭКСПЛУАТАЦИЯ

Шлифование

▲ВНИМАНИЕ: Никогда не работайте с инструментом без установленной шлифовальной бумаги. Вы можете серьезно повредить накладку.

▲ВНИМАНИЕ: Никогда не прилагайте к инструменту чрезмерных усилий. Чрезмерное давление может снизить эффективность шлифовки, повредить шлифовальную бумагу и/или сократить срок службы инструмента.

Шлифование открытых участков

1. Крепко держите инструмент обеими руками: одной рукой за ручку, а другой – за переднюю рукоятку.
2. Включите инструмент и подождите, пока он наберет полную скорость.
3. Мягко коснитесь инструментом поверхности обрабатываемой детали.
4. Держите опорную пластину на поверхности ровно и прилагайте небольшое давление к инструменту.

► Рис.22

Шлифование ограниченных участков

1. Снимите переднюю рукоятку с инструмента.
2. Держитесь за ручку одной рукой.
3. Включите инструмент и подождите, пока он наберет полную скорость.
4. Мягко коснитесь инструментом поверхности обрабатываемой детали.
5. Держите опорную пластину на поверхности ровно и прилагайте небольшое давление к инструменту.
6. Ведите инструмент вдоль изгибов, поверхностей стен и в других ограниченных пространствах, выполняя шлифовку передней и угловой кромками опорной пластины, если нужно.

► Рис.23

ФУНКЦИЯ БЕСПРОВОДНОЙ АКТИВАЦИИ

Только для модели DBO381

ПРИМЕЧАНИЕ: Эта функция беспроводного управления доступна, только если установлен совместимый пылесос.

Что позволяет делать функция беспроводной активации

Функция беспроводной активации обеспечивает беспрепятственную и удобную работу. Подключив к инструменту поддерживаемый пылесос, можно его автоматически запускать, используя переключатель инструмента.

► Рис.24

Чтобы использовать функцию беспроводной активации, подготовьте следующие компоненты:

- Беспроводной блок (Дополнительные принадлежности)
- Пылесос, который поддерживает функцию беспроводной активации

Обзор настройки функции беспроводной активации выглядит следующим образом. Подробные процедуры см. в каждом разделе.

1. Установка беспроводного блока
2. Регистрация инструмента для пылесоса
3. Запуск функции беспроводной активации

Установка беспроводного блока

Дополнительные принадлежности

ВНИМАНИЕ: При установке беспроводного блока поместите инструмент на ровную и устойчивую поверхность.

ПРИМЕЧАНИЕ: Перед началом установки беспроводного блока очистите пыль и грязь на инструменте. Если пыль или грязь попадет в гнездо беспроводного блока, это может привести к неисправности.

ПРИМЕЧАНИЕ: Во избежание сбоев, вызванных статическим электричеством, прежде чем поднимать беспроводной блок, прикоснитесь к материалу, позволяющему снять статический разряд, например, к металлической части инструмента.

ПРИМЕЧАНИЕ: При установке беспроводного блока всегда следите за тем, чтобы беспроводной блок был вставлен в правильном направлении, и крышка была полностью закрыта.

1. Откройте крышку на инструменте, как показано на рисунке.

► Рис.25: 1. Крышка

2. Вставьте беспроводной блок в гнездо и закройте крышку.

При вставке беспроводного блока выровняйте выступы с углубленными участками в гнезде.

► Рис.26: 1. Беспроводной блок 2. Защита 3. Крышка 4. Углубленный участок

При извлечении беспроводного блока медленно откройте крышку. Если потянуть крышку, то крючки на обратной стороне крышки поднимут беспроводной блок.

► Рис.27: 1. Беспроводной блок 2. Крючок 3. Крышка

После извлечения беспроводного блока поместите его в поставляемый футляр или в контейнер без статического электричества.

ПРИМЕЧАНИЕ: Для снятия беспроводного блока обязательно используйте крючки на обратной стороне крышки. Если крючки не захватывают беспроводной блок, полностью закройте крышку и снова медленно откройте ее.

Регистрация инструмента для пылесоса

ПРИМЕЧАНИЕ: Для регистрации инструмента необходим пылесос Makita, поддерживающий функцию беспроводной активации.

ПРИМЕЧАНИЕ: Перед началом регистрации инструмента завершите установку беспроводного блока в инструмент.

ПРИМЕЧАНИЕ: Во время регистрации инструмента не тяните за триггерный переключатель и не включайте выключатель питания на пылесосе.

ПРИМЕЧАНИЕ: См. также руководство по эксплуатации пылесоса.

Если необходимо активировать пылесос одновременно с переключением инструмента, сначала завершите регистрацию инструмента.

1. Установите аккумулятор в пылесос и инструмент.
2. Установите выключатель режима ожидания на пылесосе в положение «АУТО» (автоматический).
► **Рис.28:** 1. Выключатель режима ожидания
3. Нажмите и удерживайте кнопку беспроводной активации на пылесосе в течение 3 секунд, пока лампа беспроводной активации не замигает зеленым цветом. Затем таким же образом нажмите кнопку беспроводной активации на инструменте.
► **Рис.29:** 1. Кнопка беспроводной активации
2. Лампа беспроводной активации

Если пылесос и инструмент надежно соединены друг с другом, то лампы беспроводной активации будут гореть зеленым светом в течение 2 секунд, затем начнут мигать синим цветом.

ПРИМЕЧАНИЕ: Через 20 секунд лампы беспроводной активации связи закончат мигать зеленым цветом. Если на пылесосе мигает лампа беспроводной активации, нажмите кнопку беспроводной активации на инструменте. Если лампа беспроводной активации не мигает зеленым цветом, нажмите кнопку беспроводной активации на короткое время, а затем снова удерживайте ее.

ПРИМЕЧАНИЕ: При выполнении двух или более регистраций инструмента для одного пылесоса завершите регистрацию инструмента одну за другой.

Запуск функции беспроводной активации

ПРИМЕЧАНИЕ: Перед беспроводной активацией завершите регистрацию инструмента для пылесоса.

ПРИМЕЧАНИЕ: См. также руководство по эксплуатации пылесоса.

После регистрации инструмента для пылесоса можно использовать переключатель инструмента для автоматического запуска пылесоса.

1. Установите беспроводной блок в инструмент.
2. Подсоедините шланг пылесоса к инструменту.
► **Рис.30**
3. Установите выключатель режима ожидания на пылесосе в положение «АУТО» (автоматический).
► **Рис.31:** 1. Выключатель режима ожидания
4. На короткое время нажмите кнопку беспроводной активации на инструменте. Лампа беспроводной активации мигает синим цветом.
► **Рис.32:** 1. Кнопка беспроводной активации
2. Лампа беспроводной активации

5. Потяните триггерный переключатель инструмента. Проверьте, работает ли пылесос при нажатии триггерного переключателя.

Чтобы остановить беспроводную активацию пылесоса, нажмите кнопку беспроводной активации на инструменте.

ПРИМЕЧАНИЕ: Если в течение 2 часов не будет выполняться никаких действий, то лампа беспроводной активации на инструменте перестанет мигать синим цветом. В этом случае установите выключатель режима ожидания на пылесосе в положение «АУТО» и снова нажмите кнопку беспроводной активации на инструменте.

ПРИМЕЧАНИЕ: Пылесос запускается/останавливается с задержкой. Когда пылесос обнаруживает переключение выключателя инструмента, возникает временная задержка.




ПРИМЕЧАНИЕ: Дальность передачи беспроводного блока может варьироваться в зависимости от местоположения и окружающих предметов.

ПРИМЕЧАНИЕ: Если на одном пылесосе зарегистрировано два или несколько инструментов, пылесос может начать работать, даже если триггерный переключатель не нажат, поскольку другой пользователь использует функцию беспроводной активации.

Описание статуса лампы беспроводной активации

► Рис.33: 1. Лампа беспроводной активации

Лампа беспроводной активации отображает состояние функции беспроводной активации. Значения состояния лампы см. в таблице ниже.

Состояние	Лампа беспроводной активации				Описание
	Цвет	 Вкл	 Мигает	Продолжительность	
Ожидание	Синий			2 часа	Доступна беспроводная активация пылесоса. Если в течение 2 часов не будет выполняться никаких операций, лампа автоматически выключится.
				Пока инструмент работает.	Доступна беспроводная активация пылесоса, инструмент работает.
Регистрация инструмента	Зеленая			20 секунд	Готовность к регистрации инструмента. Ожидание регистрации пылесосом.
				2 секунды	Регистрация инструмента завершена. Лампа беспроводной активации начнет мигать синим цветом.
Отмена регистрации инструмента	Красная			20 секунд	Готовность к отмене регистрации инструмента. Ожидание отмены пылесосом.
				2 секунды	Отмена регистрации инструмента завершена. Лампа беспроводной активации начнет мигать синим цветом.
Прочие	Красная			3 секунд	На беспроводной блок подается питание, и запускается функция беспроводной активации.
	Выкл	-		-	Беспроводная активация пылесоса прекращается.

Отмена регистрации инструмента для пылесоса

При отмене регистрации инструмента для пылесоса выполните следующую процедуру.

1. Установите аккумулятор в пылесос и инструмент.
2. Установите выключатель режима ожидания на пылесосе в положение «АУТО» (автоматический).

► **Рис.34:** 1. Выключатель режима ожидания

3. Нажмите и удерживайте кнопку беспроводной активации на пылесосе в течение 6 секунд. Лампа беспроводной активации мигает зеленым, а затем переключается на красный цвет. После этого нажмите кнопку беспроводной активации на инструменте таким же образом.

► **Рис.35:** 1. Кнопка беспроводной активации
2. Лампа беспроводной активации

Если отмена выполнена успешно, лампы беспроводной активации загорятся красным цветом на 2 секунды и начнут мигать синим цветом.

ПРИМЕЧАНИЕ: По истечении 20 секунд лампы беспроводной активации прекращают мигать красным цветом. Если на пылесосе мигает лампа беспроводной активации, нажмите кнопку беспроводной активации на инструменте. Если лампа беспроводной активации не мигает красным цветом, нажмите кнопку беспроводной активации на короткое время, а затем снова удерживайте ее.

Поиск и устранение неисправностей для функции беспроводной активации

Прежде чем обращаться по поводу ремонта, проведите осмотр самостоятельно. Если обнаружена неисправность, не указанная в руководстве, не пытайтесь разобрать инструмент. Обратитесь в один из авторизованных сервисных центров Makita, в которых для ремонта всегда используются оригинальные детали Makita.

Состояние неисправности	Возможная причина (неисправности)	Способ устранения
Лампа беспроводной активации не горит/мигает.	Беспроводной блок не установлен в инструмент. Беспроводной блок неправильно установлен в инструмент.	Правильно установите беспроводной блок.
	Грязь на клемме беспроводного блока и/или гнезда.	Аккуратно вытрите пыль и грязь на клемме беспроводного блока и очистите гнездо.
	Не нажата кнопка беспроводной активации на инструменте.	На короткое время нажмите кнопку беспроводной активации на инструменте.
	Выключатель режима ожидания на пылесосе не установлен в положение «AUTO» (автоматический).	Установите выключатель режима ожидания на пылесосе в положение «AUTO» (автоматический).
	Отсутствует электропитание	Подайте питание на инструмент и пылесос.
Не удается успешно завершить регистрацию/отмену регистрации инструмента.	Беспроводной блок не установлен в инструмент. Беспроводной блок неправильно установлен в инструмент.	Правильно установите беспроводной блок.
	Грязь на клемме беспроводного блока и/или гнезда.	Аккуратно вытрите пыль и грязь на клемме беспроводного блока и очистите гнездо.
	Выключатель режима ожидания на пылесосе не установлен в положение «AUTO» (автоматический).	Установите выключатель режима ожидания на пылесосе в положение «AUTO» (автоматический).
	Отсутствует электропитание	Подайте питание на инструмент и пылесос.
	Неверная операция	На короткое время нажмите кнопку беспроводной активации и снова выполните процедуру регистрации/отмены.
	Большое расстояние между инструментом и пылесосом (вне диапазона передачи).	Расположите инструмент и пылесос ближе друг к другу. Максимальное расстояние передачи составляет приблизительно 10 м, однако оно может изменяться в зависимости от обстоятельств.
	Перед завершением регистрации инструмента/отмены; - был вытянут триггерный переключатель на инструменте или; - нажата кнопка питания на пылесосе.	На короткое время нажмите кнопку беспроводной активации и снова выполните процедуру регистрации/отмены.
	Процедура регистрации инструмента для инструмента или пылесоса не завершена.	Одновременно выполните процедуры регистрации инструмента для инструмента и для пылесоса.
Радиопомехи от других приборов, которые генерируют радиоволны высокой интенсивности.	Избегайте эксплуатации инструмента и пылесоса рядом с такими приборами, как устройства Wi-Fi и микроволновые печи.	

Состояние неисправности	Возможная причина (неисправности)	Способ устранения
Пылесос не работает при использовании переключателя инструмента.	Беспроводной блок не установлен в инструмент. Беспроводной блок неправильно установлен в инструмент.	Правильно установите беспроводной блок.
	Грязь на клемме беспроводного блока и/или гнезда.	Аккуратно вытрите пыль и грязь на клемме беспроводного блока и очистите гнездо.
	Не нажата кнопка беспроводной активации на инструменте.	На короткое время нажмите кнопку беспроводной активации и убедитесь в том, что лампа беспроводной активации мигает синим цветом.
	Выключатель режима ожидания на пылесосе не установлен в положение «АUTO» (автоматический).	Установите выключатель режима ожидания на пылесосе в положение «АUTO» (автоматический).
	В пылесосе зарегистрировано более 10 инструментов.	Выполните повторную регистрацию инструмента. Если в пылесосе зарегистрировано более 10 инструментов, инструмент, зарегистрированный самым первым, будет автоматически отменен.
	Пылесос удалил все записи регистрации инструментов.	Выполните повторную регистрацию инструмента.
	Отсутствует электропитание	Подайте питание на инструмент и пылесос.
	Большое расстояние между инструментом и пылесосом (вне диапазона передачи).	Расположите инструмент и пылесос ближе друг к другу. Максимальное расстояние передачи составляет приблизительно 10 м, однако оно может изменяться в зависимости от обстоятельств.
Пылесос работает, хотя триггерный переключатель инструмента не был вытянут.	Радиопомехи от других приборов, которые генерируют радиоволны высокой интенсивности.	Избегайте эксплуатации инструмента и пылесоса рядом с такими приборами, как устройства Wi-Fi и микроволновые печи.
	Другие пользователи используют беспроводную активацию пылесоса с помощью своих инструментов.	Отключите кнопку беспроводной активации других инструментов или отмените регистрацию инструмента для других инструментов.

ОБСЛУЖИВАНИЕ

ВНИМАНИЕ: Перед проведением проверки или работ по техобслуживанию всегда проверяйте, что инструмент выключен, а блок аккумуляторов снят.

ПРИМЕЧАНИЕ: Запрещается использовать бензин, растворители, спирт и другие подобные жидкости. Это может привести к обесцвечиванию, деформации и трещинам.

Для обеспечения БЕЗОПАСНОСТИ и НАДЕЖНОСТИ оборудования ремонт, любое другое техобслуживание или регулировку необходимо производить в уполномоченных сервис-центрах Makita или сервис-центрах предприятия с использованием только сменных частей производства Makita.

После использования

Регулярно протирайте инструмент сухой или слегка смоченной в мыльной воде тканью.

ДОПОЛНИТЕЛЬНЫЕ ПРИНАДЛЕЖНОСТИ

ВНИМАНИЕ: Данные принадлежности или приспособления рекомендуются для использования с инструментом Makita, указанным в настоящем руководстве. Использование других принадлежностей или приспособлений может привести к получению травмы. Используйте принадлежность или приспособление только по указанному назначению.

Если вам необходимо содействие в получении дополнительной информации по этим принадлежностям, свяжитесь с вашим сервис-центром Makita.

- Шлифовальная бумага (с предварительной перфорацией)
- Шлифовальная бумага с креплением типа «липучка»
- Перфорирующая пластина
- Прокладочная пластина (для использования сошлифовальной бумагой с креплением типа «липучка»)
- Прокладочная пластина (для использования собычной шлифовальной бумагой)
- Пылесборный мешок
- Пылевой ящик
- Фильтр

- Шланг
- Беспроводной блок (Только для модели DBO381)
- Защита аккумулятора
- Оригинальный аккумулятор и зарядное устройство Makita

ПРИМЕЧАНИЕ: Некоторые элементы списка могут входить в комплект инструмента в качестве стандартных приспособлений. Они могут отличаться в зависимости от страны.

Makita Europe N.V. Jan-Baptist Vinkstraat 2,
3070 Kortenberg, Belgium

Makita Corporation 3-11-8, Sumiyoshi-cho,
Anjo, Aichi 446-8502 Japan

www.makita.com

885907-984
EN, SV, NO, FI, DA,
LV, LT, ET, RU
20210623