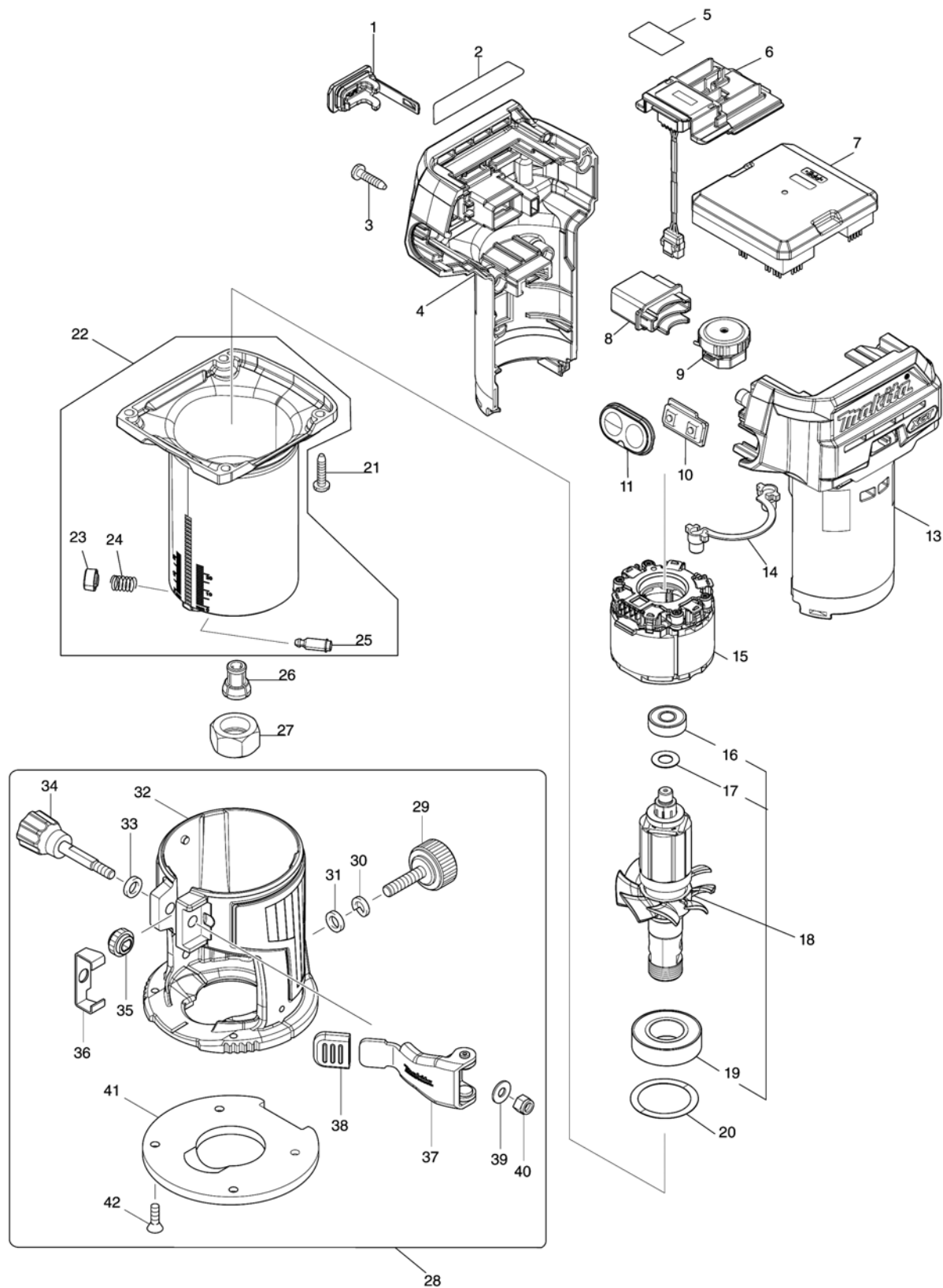


Model No.RT001G CORDLESS TRIMMER



Model No.RT001G CORDLESS TRIMMER

Item	Parts No.	Description	I/C	Qty	New/Old	Opt. 1	Opt. 2	Note
001	140F99-0	CAP COMPLETE		1				
C10	213A05-9	O-RING16		1				
002	8116J2-5	RT001G NAME PLATE		1				
003	266326-2	TAPPING SCREW 4X18		4				
004	183V78-1	HOUSING SET		1				
C10	263005-3	RUBBER PIN 6		2				
C20	8007R2-2	XGT LOGO LABEL		1				
D10		INC. 13						
005	8116J9-1	RT001G SERIAL NO. LABEL		1				
006	632P49-4	TERMINAL UNIT		1				
007	620H85-4	CONTROLLER		1				
008	413E39-8	DIAL COVER		1				
009	620H86-2	DIAL CIRCUIT		1				
010	620H87-0	SWITCH CIRCUIT		1				
011	144662-5	SWITCH PLATE COMPLETE		1				
013	183V78-1	HOUSING SET		1				
C10	263005-3	RUBBER PIN 6		2				
C20	8007R2-2	XGT LOGO LABEL		1				
D10		INC. 4						
014	620721-4	LED CIRCUIT		1				
015	629B02-5	STATOR		1				
016	210017-7	BALL BEARING 607DDW		1				
017	253186-1	FLAT WASHER 7		1				
018	519735-7	ROTOR ASS'Y		1				
D10		INC. 16,17,19						
019	210301-0	BALL BEARING 6003DDW		1				
020	253906-3	WAVE WASHER 26		1				
021	266326-2	TAPPING SCREW 4X18		4				
022	136686-5	OUTER HOUSING ASS'Y		1				
D10		INC. 23-25						
023	452468-0	PUSH BUTTON		1				
024	233127-3	COMPRESSION SPRING 7		1				
025	256437-1	PIN 4		1				
026	763636-3	COLLET CONE 6MM		1				
027	763615-1	COLLET NUT		1				
028	196613-4	TRIMMER BASE SET		1				
D10		INC. 29-42						
029	265763-7	THUMB SCREW M6X25		1				
030	253428-3	SPRING WASHER 6		1				
031	941151-9	FLAT WASHER 6		1				
032	142403-3	TRIMMER BASE COMPLETE		1				
033	941151-9	FLAT WASHER 6		1				

Please order the parts with part number.

Print Date 24/5/2022

Model No.RT001G CORDLESS TRIMMER

Item	Parts No.	Description	I/C	Qty	New/Old	Opt. 1	Opt. 2	Note
034	265792-0	THUMB SCREW M5X35		1				
035	227262-7	SPUR GEAR 16		1				
036	346392-6	CAM PLATE		1				
037	163524-8	LOCK LEVER COMPLETE		1				
038	424396-9	RUBBER CAP		1				
039	941101-4	FLAT WASHER 5		1				
040	252103-8	HEX. LOCK NUT M5-8		1				
041	454842-8	BASE PROTECTOR		1				
042	912112-6	COUNTERSUNK HEAD SCREW M4X10		4				
A01	122965-7	STRAIGHT GUIDE ASSEMBLY		1				
C10	252649-4	THUMB NUT M6		1				
C20	266339-3	CAP SQUARE NECK BOLT M6X20		1				
C30	346382-9	GUIDE PLATE		1				
A02	195559-1	DUST NOZZLE SET		1				
C10	265774-2	THUMB SCREW M4X19		1				
A03	343577-5	TEMPLET GUIDE 10		1				
A04	781011-1	WRENCH 22		1				
A05	781039-9	WRENCH 13		1				
A07	763618-5	COLLET CONE 8MM		1				
A08	344364-5	TEMPLET GUIDE 16		1				
A12	122703-7	TRIMMER GUIDE ASS'Y		1				
C10	251471-6	- FLAT HEAD SCREW M5		1				
C20	265135-6	+ COUNTERSUNK HEAD SCREW M4X10		1				
C30	265763-7	THUMB SCREW M6X25		1				
C40	265764-5	THUMB SCREW M6		1				
C50	317788-8	GUIDE HOLDER		1				
C60	324378-0	ROLLER 11		1				
C70	341136-9	HOOK		1				
C80	941151-9	FLAT WASHER 6		1				
A13	195563-0	PLUNGE BASE SET		1				
D10		COMPO-PARTS						
A14	198987-9	TILT BASE SET		1				
A15	153489-2	GRIP 36 COMPLETE		1				
A16	194733-8	DUST NOZZLE SET		1				
C10	265774-2	THUMB SCREW M4X19		1				
C20	213022-3	O RING 3		2				
A17	195564-8	GUIDE HOLDER SET		1				
C10	252649-4	THUMB NUT M6		1				
C20	256850-3	ROD 8		2				
C30	266339-3	CAP SQUARE NECK BOLT M6X20		1				

Please order the parts with part number.

Print Date 24/5/2022

Model No.RT001G CORDLESS TRIMMER

Item	Parts No.	Description	I/C	Qty	New/Old	Opt. 1	Opt. 2	Note
A20	821552-6	CONNECTOR PLASTIC CASE (TYPE4)		1				
C10	453974-8	LATCH		4				
A21A	8049K6-9	RT001GZ10 PLASTIC CASE LABEL		2				
A22A	8049J2-0	RT001GZ10 INDICATION LABEL		1				
A23	837247-1	TRAY		1				
A25B	412393-7	BATTERY COVER		2				
A26B	***DC40RA	DC40RA FAST CHARGER		1				
D10		COMPO-PARTS						
A27B	191B26-6	BATTERY BL4040 SET		2				

Please order the parts with part number.

Print Date 24/5/2022