

DEWALT®

XR®

www.DEWALT.com

DCH172

TM.by
ONLINE STORE

<https://tm.by>
Интернет-магазин

English (<i>original instructions</i>)	4
Русский (<i>перевод с оригинала инструкции</i>)	16
Українська (<i>переклад з оригінальної інструкції</i>)	36

Fig. A

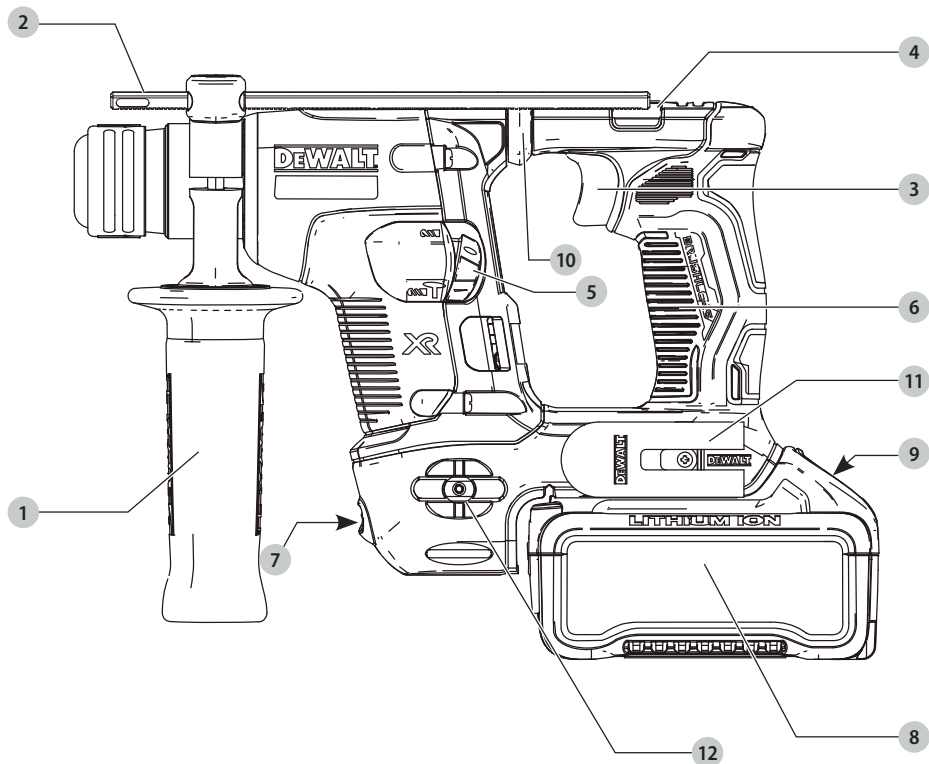


Fig. B

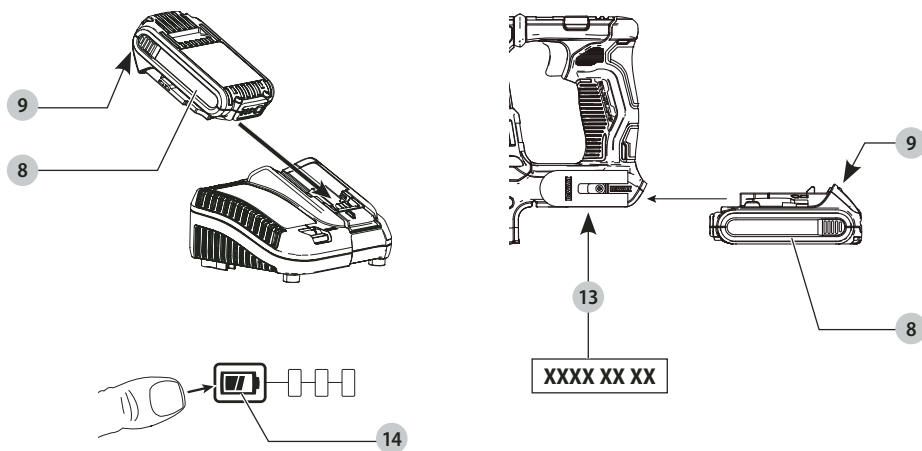


Fig. C

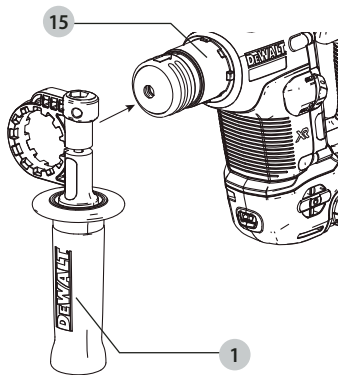


Fig. D

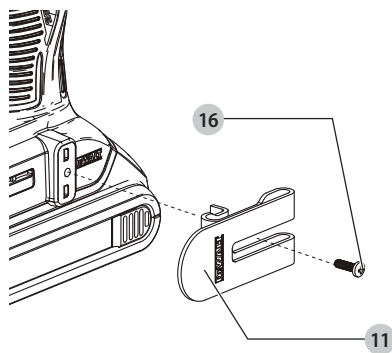


Fig. E

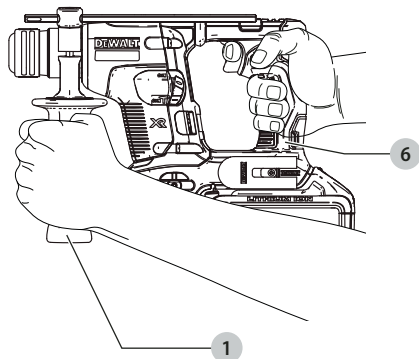


Fig. F

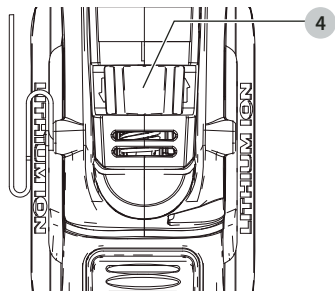


Fig. G

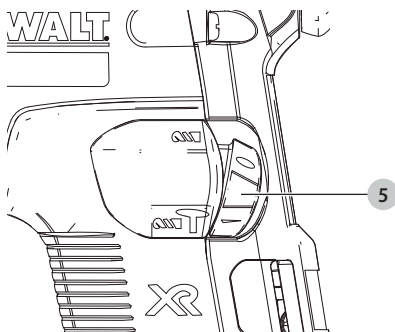


Fig. H

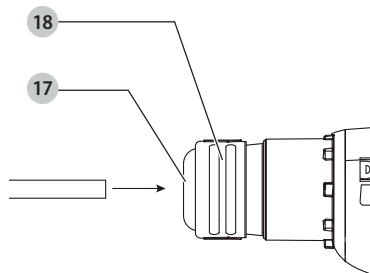


Fig. I

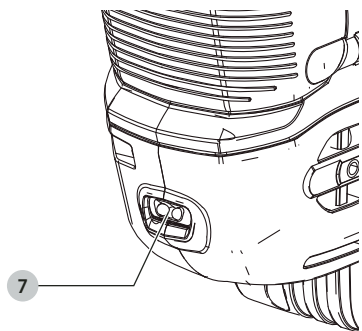


Fig. J

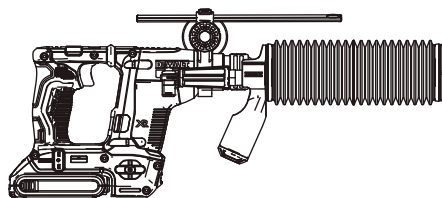
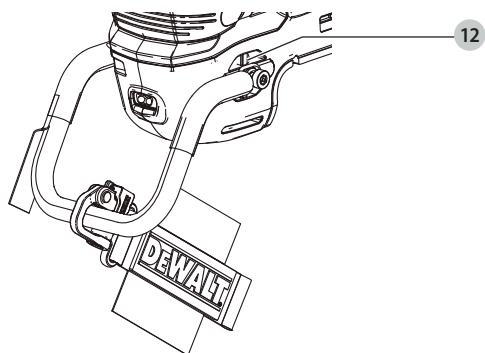


Fig. K



HEAVY-DUTY SDS PLUS® ROTARY HAMMERDRILL

DCH172

Congratulations!

You have chosen a DEWALT tool. Years of experience, thorough product development and innovation make DEWALT one of the most reliable partners for professional power tool users.

Technical Data

	DCH172	
Voltage	V _{bc}	18
Type		1
Battery type		Li-Ion
Maximum power output	W	650
No-load speed	min-1	0–1060
No-load beats per min	bpm	4980
Single impact energy (EPTA 05/2009)	J	1.4
Optimum drilling range	mm	4–10
Maximum diameter concrete	mm	16
Tool holder		SDS plus®
Weight (without battery pack)	kg	1.8

Noise values and vibration values (triax vector sum) according to EN60745-2-6:

L _{PA} (emission sound pressure level)	dB(A)	87
L _{WA} (sound power level)	dB(A)	98
K (uncertainty for the given sound level)	dB(A)	4

Drilling into concrete		
Vibration emission value a _{h, HD} =	m/s ²	8.8
Uncertainty K =	m/s ²	1.5

Drilling into metal		
Vibration emission value a _{h, D} =	m/s ²	≤ 2.5
Uncertainty K =	m/s ²	1.5

Screwdriving		
Vibration emission value =	m/s ²	≤ 2.5
Uncertainty K =	m/s ²	1.5

The vibration and/or noise emission level given in this information sheet has been measured in accordance with a standardised test given in EN60745 and may be used to compare one tool with another. It may be used for a preliminary assessment of exposure.

WARNING: The declared vibration and/or noise emission level represents the main applications of the tool. However if the tool is used for different applications, with different accessories or poorly maintained, the vibration and/or noise emission may differ. This may significantly increase the exposure level over the total working period.

An estimation of the level of exposure to vibration and/or noise should also take into account the times when the tool is switched off or when it is running but not actually doing the job. This may significantly reduce the exposure level over the total working period.

Identify additional safety measures to protect the operator from the effects of vibration and/or noise such as: maintain the tool and the accessories, keep the hands warm (relevant for vibration), organisation of work patterns.

EC-Declaration of Conformity

Machinery Directive



Heavy-Duty Cordless Rotary Hammerdrill DCH172

DEWALT declares that these products described under **Technical Data** are in compliance with:

2006/42/EC, EN60745-1:2009+A11:2010, EN60745-2-6:2010.

These products also comply with Directive 2014/30/EU and 2011/65/EU. For more information, please contact DEWALT at the following address or refer to the back of the manual.

The undersigned is responsible for compilation of the technical file and makes this declaration on behalf of DEWALT.

Mark Rompel
Vice-President Engineering, PTE-Europe
DEWALT, Richard-Klinger-Straße 11,
65510, Idstein, Germany
22.01.2021



WARNING: To reduce the risk of injury, read the instruction manual.

Definitions: Safety Guidelines

The definitions below describe the level of severity for each signal word. Please read the manual and pay attention to these symbols.



DANGER: Indicates an imminently hazardous situation which, if not avoided, **will** result in **death or serious injury**.



WARNING: Indicates a potentially hazardous situation which, if not avoided, **could** result in **death or serious injury**.



CAUTION: Indicates a potentially hazardous situation which, if not avoided, **may** result in **minor or moderate injury**.

NOTICE: Indicates a practice **not related to personal injury** which, if not avoided, **may** result in **property damage**.



Denotes risk of electric shock.



Denotes risk of fire.

Batteries				Chargers/Charge Times (Minutes)									
Cat #	V _{DC}	Ah	Weight (kg)	DCB104	DCB107	DCB112	DCB113	DCB115	DCB116	DCB117	DCB118	DCB132	DCB119
DCB546	18/54	6.0/2.0	1.08	60	270	170	140	90	80	40	60	90	X
DCB547	18/54	9.0/3.0	1.46	75*	420	270	220	135*	110*	60	75*	135*	X
DCB548	18/54	12.0/4.0	1.46	120	540	350	300	180	150	80	120	180	X
DCB181	18	1.5	0.35	22	70	45	35	22	22	22	22	22	45
DCB182	18	4.0	0.61	60/40**	185	120	100	60	60/45**	60/40**	60/40**	60	120
DCB183/B/G	18	2.0	0.40	30	90	60	50	30	30	30	30	30	60
DCB184/B/G	18	5.0	0.62	75/50**	240	150	120	75	75/60**	75/50**	75/50**	75	150
DCB185	18	1.3	0.35	22	60	40	30	22	22	22	22	22	40
DCB187	18	3.0	0.54	45	140	90	70	45	45	45	45	45	90
DCB189	18	4.0	0.54	60	185	120	100	60	60	60	60	60	120

*Date code 201811475B or later

**Date code 201536 or later

GENERAL POWER TOOL SAFETY WARNINGS



WARNING: Read all safety warnings, instructions, illustrations and specifications provided with this power tool. Failure to follow all instructions listed below may result in electric shock, fire and/or serious injury.

SAVE ALL WARNINGS AND INSTRUCTIONS FOR FUTURE REFERENCE

The term "power tool" in the warnings refers to your mains-operated (corded) power tool or battery-operated (cordless) power tool.

1) Work Area Safety

- Keep work area clean and well lit.** Cluttered or dark areas invite accidents.
- Do not operate power tools in explosive atmospheres, such as in the presence of flammable liquids, gases or dust.** Power tools create sparks which may ignite the dust or fumes.
- Keep children and bystanders away while operating a power tool.** Distractions can cause you to lose control.

2) Electrical Safety

- Power tool plugs must match the outlet. Never modify the plug in any way. Do not use any adapter plugs with earthed (grounded) power tools.** Unmodified plugs and matching outlets will reduce risk of electric shock.
- Avoid body contact with earthed or grounded surfaces, such as pipes, radiators, ranges and refrigerators.** There is an increased risk of electric shock if your body is earthed or grounded.
- Do not expose power tools to rain or wet conditions.** Water entering a power tool will increase the risk of electric shock.
- Do not abuse the cord. Never use the cord for carrying, pulling or unplugging the power tool. Keep cord away from heat, oil, sharp edges or moving parts.** Damaged or entangled cords increase the risk of electric shock.

- When operating a power tool outdoors, use an extension cord suitable for outdoor use.** Use of a cord suitable for outdoor use reduces the risk of electric shock.
- If operating a power tool in a damp location is unavoidable, use a residual current device (RCD) protected supply.** Use of an RCD reduces the risk of electric shock.

3) Personal Safety

- Stay alert, watch what you are doing and use common sense when operating a power tool. Do not use a power tool while you are tired or under the influence of drugs, alcohol or medication.** A moment of inattention while operating power tools may result in serious personal injury.
- Use personal protective equipment. Always wear eye protection.** Protective equipment such as a dust mask, non-skid safety shoes, hard hat or hearing protection used for appropriate conditions will reduce personal injuries.
- Prevent unintentional starting. Ensure the switch is in the off-position before connecting to power source and/or battery pack, picking up or carrying the tool.** Carrying power tools with your finger on the switch or energising power tools that have the switch on invites accidents.
- Remove any adjusting key or wrench before turning the power tool on.** A wrench or a key left attached to a rotating part of the power tool may result in personal injury.
- Do not overreach. Keep proper footing and balance at all times.** This enables better control of the power tool in unexpected situations.
- Dress properly. Do not wear loose clothing or jewellery. Keep your hair and clothing away from moving parts.** Loose clothes, jewellery or long hair can be caught in moving parts.
- If devices are provided for the connection of dust extraction and collection facilities, ensure these are connected and properly used.** Use of dust collection can reduce dust-related hazards.

- h) **Do not let familiarity gained from frequent use of tools allow you to become complacent and ignore tool safety principles.** A careless action can cause severe injury within a fraction of a second.

4) Power Tool Use and Care

- a) **Do not force the power tool. Use the correct power tool for your application.** The correct power tool will do the job better and safer at the rate for which it was designed.
- b) **Do not use the power tool if the switch does not turn it on and off.** Any power tool that cannot be controlled with the switch is dangerous and must be repaired.
- c) **Disconnect the plug from the power source and/or remove the battery pack, if detachable, from the power tool before making any adjustments, changing accessories, or storing power tools.** Such preventive safety measures reduce the risk of starting the power tool accidentally.
- d) **Store idle power tools out of the reach of children and do not allow persons unfamiliar with the power tool or these instructions to operate the power tool.** Power tools are dangerous in the hands of untrained users.
- e) **Maintain power tools and accessories. Check for misalignment or binding of moving parts, breakage of parts and any other condition that may affect the power tool's operation. If damaged, have the power tool repaired before use.** Many accidents are caused by poorly maintained power tools.
- f) **Keep cutting tools sharp and clean.** Properly maintained cutting tools with sharp cutting edges are less likely to bind and are easier to control.
- g) **Use the power tool, accessories and tool bits etc. in accordance with these instructions, taking into account the working conditions and the work to be performed.** Use of the power tool for operations different from those intended could result in a hazardous situation.
- h) **Keep handles and grasping surfaces dry, clean and free from oil and grease.** Slippery handles and grasping surfaces do not allow for safe handling and control of the tool in unexpected situations.

5) Battery Tool Use and Care

- a) **Recharge only with the charger specified by the manufacturer.** A charger that is suitable for one type of battery pack may create a risk of fire when used with another battery pack.
- b) **Use power tools only with specifically designated battery packs.** Use of any other battery packs may create a risk of injury and fire.
- c) **When battery pack is not in use, keep it away from other metal objects, like paper clips, coins, keys, nails, screws or other small metal objects, that can make a connection from one terminal to another.** Shorting the battery terminals together may cause burns or a fire.
- d) **Under abusive conditions, liquid may be ejected from the battery; avoid contact. If contact accidentally occurs, flush with water. If liquid**

contacts eyes, additionally seek medical help. Liquid ejected from the battery may cause irritation or burns.

- e) **Do not use a battery pack or tool that is damaged or modified.** Damaged or modified batteries may exhibit unpredictable behaviour resulting in fire, explosion or risk of injury.
- f) **Do not expose a battery pack or tool to fire or excessive temperature.** Exposure to fire or temperature above 130 °C may cause explosion.
- g) **Follow all charging instructions and do not charge the battery pack or tool outside the temperature range specified in the instructions.** Charging improperly or at temperatures outside the specified range may damage the battery and increase the risk of fire.

6) Service

- a) **Have your power tool serviced by a qualified repair person using only identical replacement parts.** This will ensure that the safety of the power tool is maintained.
- b) **Never service damaged battery packs.** Service of battery packs should only be performed by the manufacturer or authorized service providers.

Additional Safety Instructions for Rotary Hammers

- **Wear ear protectors.** Exposure to noise can cause hearing loss.
- **Use auxiliary handle(s), if supplied with the tool.** Loss of control can cause personal injury.
- **Hold the power tool by insulated gripping surfaces, when performing an operation where the cutting accessory may contact hidden wiring.** Cutting accessory contacting a "live" wire may make exposed metal parts of the power tool "live" and could give the operator an electric shock.
- **Be certain that the material being drilled does not conceal electric or gas service and that their locations have been verified with the utility companies.**
- **Use clamps or other practical way to secure and support the workpiece to a stable platform.** Holding the work by hand or against your body is unstable and may lead to loss of control.
- **Wear safety goggles or other eye protection.** Hammering operations cause chips to fly. Flying particles can cause permanent eye damage. Wear a dust mask or respirator for applications that generate dust. Ear protection may be required for most applications.
- **Keep a firm grip on the tool at all times. Do not attempt to operate this tool without holding it with both hands.** It is recommended that the side handle be used at all times. Operating this tool with one hand will result in loss of control. Breaking through or encountering hard materials such as re-bar may be hazardous as well. Tighten the side handle securely before use.
- **Do not operate this tool for long periods of time.** Vibration caused by hammer action may be harmful to your

hands and arms. Use gloves to provide extra cushion and limit exposure by taking frequent rest periods.

- **Do not recondition bits yourself.** Chisel reconditioning should be done by an authorized specialist. Improperly reconditioned chisels could cause injury.
- **Wear gloves when operating tool or changing bits.** Accessible metal parts on the tool and bits may get extremely hot during operation. Small bits of broken material may damage bare hands.
- **Never lay the tool down until the bit has come to a complete stop.** Moving bits could cause injury.
- **Do not strike jammed bits with a hammer to dislodge them.** Fragments of metal or material chips could dislodge and cause injury.
- **Slightly worn chisels can be resharpened by grinding.**
- **Do not overheat the bit (discoloration) while grinding a new edge.** Badly worn chisels require reforging. Do not reharden and temper the chisel.

Residual Risks

The following risks are inherent to the use of rotary hammers:

- Injuries caused by touching the rotating parts or hot parts of the tool.

In spite of the application of the relevant safety regulations and the implementation of safety devices, certain residual risks cannot be avoided. These are:

- Impairment of hearing.
- Risk of squeezing fingers when changing the accessory.
- Health hazards caused by breathing dust developed when working in concrete and/or masonry.
- Risk of personal injury due to flying particles.
- Risk of burns due to accessories becoming hot during operation.
- Risk of personal injury due to prolonged use.

Chargers

DeWALT chargers require no adjustment and are designed to be as easy as possible to operate.

Electrical Safety

The electric motor has been designed for one voltage only. Always check that the battery pack voltage corresponds to the voltage on the rating plate. Also make sure that the voltage of your charger corresponds to that of your mains.



Your DeWALT charger is double insulated in accordance with EN60335; therefore no earth wire is required.

If the supply cord is damaged, it must be replaced only by DeWALT or an authorised service organisation.

Mains Plug Replacement (U.K. & Ireland Only)

If a new mains plug needs to be fitted:

- Safely dispose of the old plug.
- Connect the brown lead to the live terminal in the plug.

- Connect the blue lead to the neutral terminal.



WARNING: No connection is to be made to the earth terminal.

Follow the fitting instructions supplied with good quality plugs. Recommended fuse: 3 A.

Using an Extension Cable

An extension cord should not be used unless absolutely necessary. Use an approved extension cable suitable for the power input of your charger (see **Technical Data**). The minimum conductor size is 1 mm²; the maximum length is 30 m.

When using a cable reel, always unwind the cable completely.

Important Safety Instructions for All Battery Chargers

SAVE THESE INSTRUCTIONS: This manual contains important safety and operating instructions for compatible battery chargers (refer to **Technical Data**).

- Before using charger, read all instructions and cautionary markings on charger, battery pack, and product using battery pack.



WARNING: Shock hazard. Do not allow any liquid to get inside charger. Electric shock may result.



WARNING: We recommend the use of a residual current device with a residual current rating of 30mA or less.



CAUTION: Burn hazard. To reduce the risk of injury, charge only DeWALT rechargeable batteries. Other types of batteries may burst causing personal injury and damage.





CAUTION: Children should be supervised to ensure that they do not play with the appliance.

NOTICE: Under certain conditions, with the charger plugged into the power supply, the exposed charging contacts inside the charger can be shorted by foreign material. Foreign materials of a conductive nature such as, but not limited to, steel wool, aluminum foil or any buildup of metallic particles should be kept away from charger cavities. Always unplug the charger from the power supply when there is no battery pack in the cavity. Unplug charger before attempting to clean.

- **DO NOT attempt to charge the battery pack with any chargers other than the ones in this manual.** The charger and battery pack are specifically designed to work together.
- **These chargers are not intended for any uses other than charging DeWALT rechargeable batteries.** Any other uses may result in risk of fire, electric shock or electrocution.
- **Do not expose charger to rain or snow.**
- **Pull by plug rather than cord when disconnecting charger.** This will reduce risk of damage to electric plug and cord.
- **Make sure that cord is located so that it will not be stepped on, tripped over, or otherwise subjected to damage or stress.**

- **Do not use an extension cord unless it is absolutely necessary.** Use of improper extension cord could result in risk of fire, electric shock, or electrocution.
- **Do not place any object on top of charger or place the charger on a soft surface that might block the ventilation slots and result in excessive internal heat.** Place the charger in a position away from any heat source. The charger is ventilated through slots in the top and the bottom of the housing.
- **Do not operate charger with damaged cord or plug—** have them replaced immediately.
- **Do not operate charger if it has received a sharp blow, been dropped, or otherwise damaged in any way.** Take it to an authorised service centre.
- **Do not disassemble charger; take it to an authorised service centre when service or repair is required.** Incorrect reassembly may result in a risk of electric shock, electrocution or fire.
- **In case of damaged power supply cord, the supply cord must be replaced immediately by the manufacturer, its service agent or similar qualified person to prevent any hazard.**
- **Disconnect the charger from the outlet before attempting any cleaning. This will reduce the risk of electric shock.** Removing the battery pack will not reduce this risk.
- **NEVER attempt to connect two chargers together.**
- **The charger is designed to operate on standard 230V household electrical power. Do not attempt to use it on any other voltage.** This does not apply to the vehicular charger.







Charging a Battery (Fig. B)

1. Plug the charger into an appropriate outlet before inserting battery pack.
2. Insert the battery pack  into the charger, making sure the battery pack is fully seated in the charger. The red (charging) light will blink repeatedly indicating that the charging process has started.
3. The completion of charge will be indicated by the red light remaining ON continuously. The battery pack is fully charged and may be used at this time or left in the charger. To remove the battery pack from the charger, push the battery release button  on the battery pack.

NOTE: To ensure maximum performance and life of lithium-ion battery packs, charge the battery pack fully before first use.

Charger Operation

Refer to the indicators below for the charge status of the battery pack.

Charge Indicators		
	Charging	
	Fully Charged	
	Hot/Cold Pack Delay*	

*The red light will continue to blink, but a yellow indicator light will be illuminated during this operation. Once the battery pack has reached an appropriate temperature, the yellow light will turn off and the charger will resume the charging procedure. The compatible charger(s) will not charge a faulty battery pack. The charger will indicate faulty battery by refusing to light.

NOTE: This could also mean a problem with a charger.

If the charger indicates a problem, take the charger and battery pack to be tested at an authorised service centre.

Hot/Cold Pack Delay

When the charger detects a battery pack that is too hot or too cold, it automatically starts a Hot/Cold Pack Delay, suspending charging until the battery pack has reached an appropriate temperature. The charger then automatically switches to the pack charging mode. This feature ensures maximum battery pack life.

A cold battery pack will charge at a slower rate than a warm battery pack. The battery pack will charge at that slower rate throughout the entire charging cycle and will not return to maximum charge rate even if the battery pack warms.

The DCB118 charger is equipped with an internal fan designed to cool the battery pack. The fan will turn on automatically when the battery pack needs to be cooled. Never operate the charger if the fan does not operate properly or if ventilation slots are blocked. Do not permit foreign objects to enter the interior of the charger.

Electronic Protection System

XR Li-Ion tools are designed with an Electronic Protection System that will protect the battery pack against overloading, overheating or deep discharge.

The tool will automatically turn off if the Electronic Protection System engages. If this occurs, place the lithium-ion battery pack on the charger until it is fully charged.

Wall Mounting

These chargers are designed to be wall mountable or to sit upright on a table or work surface. If wall mounting, locate the charger within reach of an electrical outlet, and away from a corner or other obstructions which may impede air flow. Use the back of the charger as a template for the location of the mounting screws on the wall. Mount the charger securely using drywall screws (purchased separately) at least 25.4 mm long with a screw head diameter of 7–9 mm, screwed into wood to an optimal depth leaving approximately 5.5 mm of the screw exposed. Align the slots on the back of the charger with the exposed screws and fully engage them in the slots.

Charger Cleaning Instructions



WARNING: Shock hazard. Disconnect the charger from the AC outlet before cleaning. Dirt and grease may be removed from the exterior of the charger using a cloth or soft non-metallic brush. Do not use water or any cleaning solutions. Never let any liquid get inside the tool; never immerse any part of the tool into a liquid.

Battery Packs

Important Safety Instructions for All

Battery Packs

When ordering replacement battery packs, be sure to include catalogue number and voltage.

The battery pack is not fully charged out of the carton. Before using the battery pack and charger, read the safety instructions below. Then follow charging procedures outlined.

READ ALL INSTRUCTIONS

- **Do not charge or use battery in explosive atmospheres, such as in the presence of flammable liquids, gases or dust.** Inserting or removing the battery from the charger may ignite the dust or fumes.
- **Never force battery pack into charger. Do not modify battery pack in any way to fit into a non-compatible charger as battery pack may rupture causing serious personal injury.**
- Charge the battery packs only in DeWALT chargers.
- **DO NOT splash or immerse in water or other liquids.**
- **Do not store or use the tool and battery pack in locations where the temperature may fall below 4 °C (39.2 °F) (such as outside sheds or metal buildings in winter), or reach or exceed 40 °C (104 °F) (such as outside sheds or metal buildings in summer).**
- **Do not incinerate the battery pack even if it is severely damaged or is completely worn out.** The battery pack can explode in a fire. Toxic fumes and materials are created when lithium-ion battery packs are burned.
- **If battery contents come into contact with the skin, immediately wash area with mild soap and water.** If battery liquid gets into the eye, rinse water over the open eye for 15 minutes or until irritation ceases. If medical attention is needed, the battery electrolyte is composed of a mixture of liquid organic carbonates and lithium salts.
- **Contents of opened battery cells may cause respiratory irritation.** Provide fresh air. If symptoms persists, seek medical attention.



WARNING: Burn hazard. Battery liquid may be flammable if exposed to spark or flame.



WARNING: Never attempt to open the battery pack for any reason. If battery pack case is cracked or damaged, do not insert into charger. Do not crush, drop or damage battery pack. Do not use a battery pack or charger that has received a sharp blow, been dropped, run over or damaged in any way (i.e., pierced with a nail, hit with a hammer, stepped on). Electric shock or electrocution may result. Damaged battery packs should be returned to service centre for recycling.



WARNING: Fire hazard. Do not store or carry the battery pack so that metal objects can contact exposed battery terminals. For example, do not place the battery pack in aprons, pockets, tool boxes, product kit boxes, drawers, etc., with loose nails, screws, keys, etc.



CAUTION: When not in use, place tool on its side on a stable surface where it will not cause a tripping or falling hazard. Some tools with large battery packs will stand upright on the battery pack but may be easily knocked over.

Transportation



WARNING: Fire hazard. Transporting batteries can possibly cause fire if the battery terminals inadvertently come in contact with conductive materials. When transporting batteries, make sure that the battery terminals are protected and well insulated from materials that could contact them and cause a short circuit. **NOTE:** Lithium-ion batteries should not be put in checked baggage.

DeWALT batteries comply with all applicable shipping regulations as prescribed by industry and legal standards which include UN Recommendations on the Transport of Dangerous Goods; International Air Transport Association (IATA) Dangerous Goods Regulations, International Maritime Dangerous Goods (IMDG) Regulations, and the European Agreement Concerning The International Carriage of Dangerous Goods by Road (ADR). Lithium-ion cells and batteries have been tested to section 38.3 of the UN Recommendations on the Transport of Dangerous Goods Manual of Tests and Criteria.

In most instances, shipping a DeWALT battery pack will be excepted from being classified as a fully regulated Class 9 Hazardous Material. In general, only shipments containing a lithium-ion battery with an energy rating greater than 100 Watt Hours (Wh) will require being shipped as fully regulated Class 9. All lithium-ion batteries have the Watt Hour rating marked on the pack. Furthermore, due to regulation complexities, DeWALT does not recommend air shipping lithium-ion battery packs alone regardless of Watt Hour rating. Shipments of tools with batteries (combo kits) can be air shipped as excepted if the Watt Hour rating of the battery pack is no greater than 100 Wh. Regardless of whether a shipment is considered excepted or fully regulated, it is the shipper's responsibility to consult the latest regulations for packaging, labeling/marketing and documentation requirements.

The information provided in this section of the manual is provided in good faith and believed to be accurate at the time the document was created. However, no warranty, expressed or implied, is given. It is the buyer's responsibility to ensure that its activities comply with the applicable regulations.

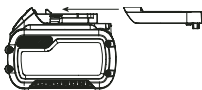
Transporting the FLEXVOLT™ Battery

The DeWALT FLEXVOLT™ battery has two modes: **Use** and **Transport**.

Use Mode: When the FLEXVOLT™ battery stands alone or is in a DeWALT 18V product, it will operate as an 18V battery. When the FLEXVOLT™ battery is in a 54V or a 108V (two 54V batteries) product, it will operate as a 54V battery.

Transport Mode: When the cap is attached to the FLEXVOLT™ battery, the battery is in Transport mode. Keep the cap for shipping.

When in Transport mode, strings of cells are electrically disconnected within the pack resulting in 3 batteries with a lower Watt hour (Wh) rating as compared to 1 battery with a higher Watt hour rating. This increased quantity of 3 batteries with the lower Watt hour rating can exempt the pack from certain shipping regulations that are imposed upon the higher Watt hour batteries.



For example, the Transport Wh rating might indicate 3 x 36 Wh, meaning 3 batteries of 36 Wh each.

Example of Use and Transport Label Marking



The Use Wh rating might indicate 108 Wh (1 battery implied).

Storage Recommendations

1. The best storage place is one that is cool and dry away from direct sunlight and excess heat or cold. For optimum battery performance and life, store battery packs at room temperature when not in use.
2. For long storage, it is recommended to store a fully charged battery pack in a cool, dry place out of the charger for optimal results.

NOTE: Battery packs should not be stored completely depleted of charge. The battery pack will need to be recharged before use.

Labels on Charger and Battery Pack

In addition to the pictographs used in this manual, the labels on the charger and the battery pack may show the following pictographs:



Read instruction manual before use.



See **Technical Data** for charging time.



Do not probe with conductive objects.



Do not charge damaged battery packs.



Do not expose to water.



Have defective cords replaced immediately



Charge only between 4 °C and 40 °C.



Only for indoor use.



Discard the battery pack with due care for the environment.



Charge DEWALT battery packs only with designated DEWALT chargers. Charging battery packs other than the designated DEWALT batteries with a DEWALT charger may make them burst or lead to other dangerous situations.



Do not incinerate the battery pack.



USE (without transport cap). Example: Wh rating indicates 108 Wh (1 battery with 108 Wh).



TRANSPORT (with built-in transport cap). Example: Wh rating indicates 3 x 36 Wh (3 batteries of 36 Wh).

Battery Type

The following tools operate on a 18 volt battery pack: DCH172. These battery packs may be used: DCB181, DCB182, DCB183, DCB183B, DCB183G, DCB184, DCB184B, DCB184G, DCB185, DCB187, DCB189, DCB546, DCB547, DCB548. Refer to **Technical Data** for more information.

Package Contents

The package contains:

- 1 Cordless rotary hammerdrill
- 1 Side handle and depth rod
- 1 Battery Charger
- 1 Li-Ion battery pack (C1, D1, G1, L1, M1, P1, S1, T1, X1, Y1 models)
- 2 Li-Ion battery packs (C2, D2, G2, L2, M2, P2, S2, T2, X2, Y2 models)
- 3 Li-Ion battery packs (C3, D3, G3, L3, M3, P3, S3, T3, X3, Y3 models)
- 1 Kit box (not included for XE models)
- 1 Instruction manual

NOTE: Battery packs, chargers and kitboxes are not included with N models. Battery packs and chargers are not included with NT models. B models include Bluetooth® battery packs.

NOTE: The Bluetooth® word mark and logos are registered trademarks owned by the Bluetooth®, SIG, Inc. and any use of such marks by DEWALT is under license. Other trademarks and trade names are those of their respective owners.

- Check for damage to the tool, parts or accessories which may have occurred during transport.
- Take the time to thoroughly read and understand this manual prior to operation.

Markings on Tool

The following pictographs are shown on the tool:



Read instruction manual before use.



Wear ear protection.



Wear eye protection.



Visible radiation. Do not stare into light.

Date Code Position (Fig. B)

The date code **13**, which also includes the year of manufacture, is printed into the housing.

Example:

2021 XX XX

Year and Week of Manufacture

Description (Fig. A)



WARNING: Never modify the power tool or any part of it. Damage or personal injury could result.

- 1 Side handle
- 2 Depth rod
- 3 Trigger switch
- 4 Forward/reverse control button (Lock-off button)
- 5 Mode selector
- 6 Main handle
- 7 Worklight
- 8 Battery pack
- 9 Battery release button
- 10 Active Vibration Control
- 11 Utility hook
- 12 Lanyard attachment point

Intended Use

This heavy-duty cordless rotary hammer is designed for professional concrete, wood and metal drilling applications.

DO NOT use under wet conditions or in the presence of flammable liquids or gases.

This heavy-duty cordless rotary hammer is a professional power tool.

DO NOT let children come into contact with the tool.

Supervision is required when inexperienced operators use this tool.

- **Young children and the infirm.** This appliance is not intended for use by young children or infirm persons without supervision.
- This product is not intended for use by persons (including children) suffering from diminished physical, sensory or mental abilities; lack of experience, knowledge or skills unless they are supervised by a person responsible for their safety. Children should never be left alone with this product.

ASSEMBLY AND ADJUSTMENTS



WARNING: To reduce the risk of serious personal injury, turn tool off and disconnect battery pack before making any adjustments or removing/installing attachments or accessories. An accidental start-up can cause injury.



WARNING: Use only DEWALT battery packs and chargers.

Inserting and Removing the Battery Pack from the Tool (Fig. J)

NOTE: Make sure your battery pack **8** is fully charged.

To Install the Battery Pack into the Tool Handle

1. Align the battery pack **8** with the rails inside the tool's handle (Fig. J).
2. Slide it into the handle until the battery pack is firmly seated in the tool and ensure that you hear the lock snap into place.

To Remove the Battery Pack from the Tool

1. Press the release button **9** and firmly pull the battery pack out of the tool handle.
2. Insert battery pack into the charger as described in the charger section of this manual.

Fuel Gauge Battery Packs (Fig. B)

Some DEWALT battery packs include a fuel gauge which consists of three green LED lights that indicate the level of charge remaining in the battery pack.

To actuate the fuel gauge, press and hold the fuel gauge button **14**. A combination of the three green LED lights will illuminate designating the level of charge left. When the level of charge in the battery is below the usable limit, the fuel gauge will not illuminate and the battery will need to be recharged.

NOTE: The fuel gauge is only an indication of the charge left on the battery pack. It does not indicate tool functionality and is subject to variation based on product components, temperature and end-user application.

Electronic Overload Protection

If the drill bit becomes jammed, the power to the drill spindle will be interrupted by the activation of the electronic overload protection. To reactivate the power to the drive spindle, the tool's trigger should be released and then depressed. Due to the resulting forces, always hold the tool with both hands and take a firm stance.

Active Vibration Control (Fig. A)

For best vibration control, hold the tool with one hand on the main handle **6** and the other hand on the side handle **1**. Apply just enough pressure so the Active Vibration Control **10** in the rear handle are halfway depressed. The hammer only needs enough pressure to engage the internal active vibration control. Applying too much pressure will not make the tool drill faster and active vibration control will not engage.

Lanyard Connection (Fig. A, K)

Optional Accessory

Safety Warnings Specific for Use At Height



WARNING:

If the tool is dropped for any reason the lanyard connection must be inspected and properly serviced prior to re-use. The lanyard connection is designed to stretch to absorb the shock of a drop. Any permanent stretch to the connection exposing

the red marked internal coils indicates it has been compromised and must be serviced prior to reuse.

- Do not use hang hook as lanyard attachment point.
- Only use batteries that contain the integral battery strap. Do not use unsecured batteries while the tool is tethered. Unsecured batteries may detach from the tool if dropped.
- Always keep the tool and accessories tethered when working "at height". (Maximum lanyard length: 6.5 ft [2 m].)
- Use only with lanyards appropriate for this tool type and rated for at least the weight identified on the tool lanyard attachment point label.
- Crush, cut or entanglement hazard. Do not use near moving parts, mechanisms or running machinery.
- Do not anchor the tool lanyard to anything on your body. Anchor to a rigid structure that can withstand the forces of a dropped tool.
- Make sure the lanyard is properly secure at each end prior to use.
- Inspect tool and lanyard before each use for damage and proper function (including fabric and stitching). Do not use if damaged or not functioning properly.
- Do not alter the Lanyard Ready™ attachment point or use in a manner other than as instructed in this manual.
- Only attach tool to a lanyard with a locking carabiner. Do not attach by looping or knotting the lanyard. Do not use rope or cord.
- Electrical shock hazard. Be sure power is off when working in high voltage areas. Some lanyards are conductive.
- Dropped tools will swing on the lanyard, which could cause injury or loss of balance.
- Do not carry the tool by the Lanyard Ready™ attachment point, the battery strap or the lanyard.
- Do not attach more than one tool to each lanyard.
- Only use appropriate DeWALT brand lanyard-ready attachment kit. NEVER modify tools to create attachment points.
- Only transfer the tool between hands while properly balanced in a stable orientation.
- Do not attach lanyards to tool in a way that keeps guards, switches or lock-offs from operating properly.
- Avoid getting tangled in the lanyard.
- Keep lanyard away from the cutting area of the tool.
- Do not use lanyards or attachment devices to get additional leverage from the tool.
- Do not use for personal fall protection.
- Falling object hazard! Only change batteries, accessories and attachments where a dropped object won't cause a hazard below you. Consult your Authority Having Jurisdiction (AHJ) or site supervisor for procedures for working at height.

- Do not use the charger or contractor bag at height.
- Use multi-action or screw gate type carabiners. Do not use single action spring clip carabiners.

The Lanyard Ready™ Mounting Point **12** is for mounting the DeWALT Lanyard Ready™ Attachment Point, available at a DeWALT service center.

The lanyard-ready attachment kit is intended for use by competent personnel who are trained and knowledgeable regarding working with tools in and around machinery and "at height". A lanyard-ready attachment kit may only be added to certain models and must be installed by an authorized service center.

Side Handle and Depth Rod (Fig. A, C)



WARNING: To reduce the risk of personal injury, ALWAYS operate the tool with the side handle properly installed. Failure to do so may result in the side handle slipping during tool operation and subsequent loss of control. Hold tool with both hands to maximize control.

The side handle **1** clamps to the front of the gear case and may be rotated 360° to permit right- or left-hand use.

The side handle clamps to the collar **15** and has 12 tightening locations. The side handle can be tightened by rotating the grip of the side handle clockwise. The side handle must be tightened sufficiently to resist the twisting action of the tool if the accessory bind or stall. Be sure you moved the side handle against the end of the collar end to have the clamping piece fully engaged.

To Adjust the Depth Rod (Fig. A)

Loosen the side handle **1** and move the depth rod **2** so that the distance between the end of the rod and the end of the bit equals the desired drilling depth. When drilling with depth rod, stop when end of rod reaches surface of material.

Utility Hook (Fig. D)



WARNING: To reduce the risk of serious personal injury, ONLY use the tool's utility hook to hang the tool from a work belt. DO NOT use the utility hook for tethering or securing the tool to a person or object during use. DO NOT suspend tool overhead or suspend objects from the utility hook.



WARNING: To reduce the risk of serious personal injury, ensure the screw holding the utility hook is secure.

IMPORTANT: When attaching or replacing the utility hook **11**, use only the screw **16** that is provided. Be sure to securely tighten the screw.

The utility hook can be attached to either side of the tool using only the screw provided, to accommodate left- or right-handed users. If the hook is not desired at all, it can be removed from the tool.

To move utility hook, remove the screw that holds the utility hook in place then reassemble on the opposite side. Be sure to securely tighten the screw.

Bit and Bit Holder

WARNING: Burn Hazard. **ALWAYS** wear gloves when changing bits. Accessible metal parts on the tool and bits may get extremely hot during operation. Small bits of broken material may damage bare hands.

The hammerdrill can be fitted with different bits depending on the desired application. **Use sharp drill bits only.**

Bit Recommendations

- For wood, use twist bits, spade bits, power auger bits or hole saws.
- For metal, use high-speed steel twist drill bits or hole saws. Use a cutting lubricant when drilling metals. The exceptions are cast iron and brass which should be drilled dry.

SDS plus® Bit Holder (Fig. H)

NOTE: Special adapters are needed to use the SDS plus® bit holder with straight shank bits and hexagonal screwdriver bits. Refer to **Optional Accessories**.

To insert a drill bit or other accessory:

1. Insert the shank of the bit about 19 mm into SDS plus® tool holder **17**.
2. Push and rotate bit until it locks in place. The bit will be securely held.
3. To release bit, pull the sleeve **18** back and remove the bit.

OPERATION

Instructions for Use

WARNING: Always observe the safety instructions and applicable regulations.

WARNING: To reduce the risk of serious personal injury, turn tool off and disconnect battery pack before making any adjustments or removing/installing attachments or accessories. An accidental start-up can cause injury.

Proper Hand Position (Fig. A, E)

WARNING: To reduce the risk of serious personal injury, **ALWAYS** use proper hand position as shown.

WARNING: To reduce the risk of serious personal injury, **ALWAYS** hold securely in anticipation of a sudden reaction.

Proper hand position requires one hand on the side handle **1**, with the other hand on the main handle **6**.

Trigger Switch (Fig. A)

To turn the tool on, squeeze the trigger switch **3**. To turn the tool off, release the trigger switch. Your tool is equipped with a brake. The chuck will stop as soon as the trigger switch is fully released.

Variable Speed Trigger Switch

The variable speed trigger switch enables you to select the best speed for a particular application. The farther you squeeze the trigger switch, the faster the tool will operate. For maximum tool life, use variable speed only for starting holes or fasteners.

NOTE: Continuous use in variable speed range is not recommended. It may damage the trigger switch and should be avoided.

Forward/Reverse Control Button (Fig. F)

A forward/reverse control button **4** determines the direction of bit rotation and also serves as a lock-off button.

To select forward rotation, release the trigger switch **3** and depress the forward/reverse control button on the right side of the tool.

To select reverse, depress the forward/reverse control button on the left side of the tool.

The center position of the control button locks the tool in the off position. When changing the position of the control button, be sure the trigger is released.

NOTE: The first time the tool is run after changing the direction of rotation, you may hear a click on start up. This is normal and does not indicate a problem.

Worklight (Fig. A)

CAUTION: Do not stare into worklight. Serious eye injury could result.

There is a worklight **7** located on the front of the tool. The worklight is activated when the trigger switch is depressed, and will automatically turn off 20 seconds after the trigger switch is released. If the trigger switch remains depressed, the worklight will remain on.



NOTE: The worklight is for lighting the immediate work surface and is not intended to be used as a flashlight.

Operation Modes (Fig. G)

WARNING: Do not select the operating mode when the tool is running.

CAUTION: Never use in Rotary Drilling or Rotary Hammering mode with a chisel bit in the bit holder. Personal injury and damage to the tool may result.

Your tool is equipped with a mode selector dial **5** to select the mode appropriate to desired operation.

Symbol	Mode	Application
	Rotary Drilling	Screwdriving Drilling into steel, wood and plastics
	Rotary Hammering	Drilling into concrete and masonry

To select an operating mode:

1. Rotate the mode selector dial so that the arrow points to the symbol corresponding for the desired mode.

NOTE: The arrow on the mode selector dial **5** must be pointing at a mode symbol at all times. There are no operable positions in between. It may be necessary to briefly run the motor after having changed from 'hammering only' to 'rotary' modes in order to align the gears.

Performing an Application (Fig. A, G)

WARNING: TO REDUCE THE RISK OF PERSONAL INJURY, ALWAYS ensure workpiece is anchored or clamped firmly. If drilling thin material, use a wood "back-up" block to prevent damage to the material.

WARNING: Always wait until the motor has come to a complete standstill before changing the direction of rotation.

1. Choose and install the appropriate chuck, adapter, and/or bit onto to the tool. Refer to **Bit and Bit Holder**.
2. Using the mode selector dial **5**, select the mode appropriate to desired application. Refer to **Operation Modes**.
3. Adjust the side handle **11** as necessary.
4. Select the direction of rotation using the forward/reverse button **4**. When changing the position of the control button, be sure the trigger is released.
 - To select forward rotation, press the forward/reverse control button on the right side of the tool.
 - To select reverse, press the forward/reverse control button on the left side of the tool.

NOTE: The center position of the control button locks the tool in the off position.
5. Place the bit/chisel on the desired location.
6. Depress the trigger switch **3**. The farther you depress the trigger switch, the faster the tool will operate. For maximum tool life, use variable speed only for starting holes or fasteners.
7. To stop the hammer, release the switch.

Recommendations for Tool Operation

- Large (8 mm to 13 mm) holes in steel can be made easier if a pilot hole (4 mm to 5 mm) is drilled first.
- When drilling, always apply pressure in a straight line with the bit, but do not push hard enough to stall the motor or deflect the bit. A smooth even flow of material indicates the proper drilling rate.
- If drilling thin material or material that is prone to splinter, use a wood "back-up" block to prevent damage to the work piece.

WARNING:

- Do not use this tool to mix or pump easily combustible or explosive fluids (benzine, alcohol, etc.).
- Do not mix or stir inflammable liquids labelled accordingly.

MAINTENANCE

Your power tool has been designed to operate over a long period of time with a minimum of maintenance. Continuous satisfactory operation depends upon proper tool care and regular cleaning.

WARNING: To reduce the risk of serious personal injury, turn tool off and disconnect battery pack before making any adjustments or removing/installing attachments or accessories. An accidental start-up can cause injury.

The charger and battery pack are not serviceable.



Lubrication

Your power tool requires no additional lubrication.



Cleaning

WARNING: Blow dirt and dust out of the main housing with dry air as often as dirt is seen collecting in and around the air vents. Wear approved eye protection and approved dust mask when performing this procedure.

WARNING: Never use solvents or other harsh chemicals for cleaning the non-metallic parts of the tool. These chemicals may weaken the materials used in these parts. Use a cloth dampened only with water and mild soap. Never let any liquid get inside the tool; never immerse any part of the tool into a liquid.

Optional Accessories

WARNING: Since accessories, other than those offered by DEWALT, have not been tested with this product, use of such accessories with this tool could be hazardous. To reduce the risk of injury, only DEWALT recommended accessories should be used with this product.

Consult your dealer for further information on the appropriate accessories.

Dust Extraction System (Fig. F)

The use of a dust extraction system is recommended to reduce potentially harmful airborne dust and to prolong tool and accessory life.

Consult your dealer for further information on suitable dust extraction systems.

Protecting the Environment



Separate collection. Products and batteries marked with this symbol must not be disposed of with normal household waste.

Products and batteries contain materials that can be recovered or recycled reducing the demand for raw materials. Please recycle electrical products and batteries according to local provisions. Further information is available at www.2helpU.com.

Rechargeable Battery Pack

This long life battery pack must be recharged when it fails to produce sufficient power on jobs which were easily done before. At the end of its technical life, discard it with due care for our environment:

- Run the battery pack down completely, then remove it from the tool.
- Li-Ion cells are recyclable. Take them to your dealer or a local recycling station. The collected battery packs will be recycled or disposed of properly.

SDS plus® and SDS max® are registered trade marks of Robert Bosch GmbH

SDS PLUS® АККУМУЛЯТОРНЫЙ ПЕРФОРАТОР SDS+ 18V DCH172

Поздравляем!

Вы приобрели инструмент DEWALT. Многолетний опыт, тщательная разработка изделий и инновации делают компанию DEWALT одним из самых надёжных партнеров для пользователей профессионального электроинструмента.

Технические характеристики

		DCH172
Напряжение	V _{номинал.}	18
Тип		1
Тип батареи		Ионно-литиевая
Макс. выходная мощность	Вт	650
Скорость без нагрузки	об/мин.	0–1060
Частота ударов без нагрузки	уд/мин.	4980
Энергия одного удара (EPTA 05/2009)	Дж	1,4
Оптимальный диапазон сверления	мм	4–10
Максимальный диаметр сверления в бетоне	мм	16
Патрон		SDS plus®
Вес (без аккумуляторной батареи)	кг	1,8

Значения шума и вибрации (сумма векторов в трех плоскостях) в соответствии с EN60745-2-6:

L_{PA} (уровень звукового давления)	дБ(А)	87
L_{WA} (уровень акустической мощности)	дБ(А)	98
K (погрешность для заданного уровня мощности)	дБ(А)	4
Сверление в бетоне		
Значение вибрационного воздействия $a_{h, HD}$	m/s^2	8,8
Погрешность K =	m/s^2	1,5
Сверление металла		
Значение вибрационного воздействия $a_{h, D}$	m/s^2	≤ 2,5
Погрешность K =	m/s^2	1,5
Заворачивание		
Значение вибрационного воздействия =	m/s^2	≤ 2,5
Погрешность K =	m/s^2	1,5

Значение шумовой эмиссии и/или эмиссии вибрации, указанное в данном справочном листке, было получено в соответствии со стандартным тестом, приведенным в EN60745, и может использоваться для сравнения инструментов. Кроме того, оно может использоваться для предварительной оценки воздействия вибрации.

⚠ ОСТОРОЖНО! Заявленное значение шумовой эмиссии и/или эмиссии вибрации относится к основным областям применения инструмента. Однако, если инструмент используется для различных целей, с различными дополнительными

принадлежностями или при ненадлежащем уходе, то уровень шума и/или вибрации может измениться. Это может привести к значительному увеличению уровня воздействия вибрации в течение всего рабочего периода.

При расчете приблизительного значения уровня воздействия шума и/или вибрации также необходимо учитывать время, когда инструмент выключен или то время, когда он работает на холостом ходу. Это может привести к значительному снижению уровня воздействия вибрации в течение всего рабочего периода. Определите дополнительные меры техники безопасности для защиты оператора от воздействия шума и/или вибрации, а именно: поддержание инструмента и дополнительных принадлежностей в рабочем состоянии, создание комфортных условий работы (соответствующих вибрации), хорошая организация рабочего места.

Декларация о соответствии нормам ЕС Директива по механическому оборудованию



Аккумуляторный перфоратор DCH172

заявляет, что продукция, описанная в **Технические характеристики**, соответствует: 2006/42/EC, EN60745-1:2009+A11:2010, EN60745-2-6:2010.

Эти продукты также соответствуют Директиве 2014/30/EU и 2011/65/EU. За дополнительной информацией обращайтесь в компанию по адресу, указанному ниже или приведенному на задней стороне обложки руководства.

Нижеподписавшийся несет ответственность за составление технической документации и составил данную декларацию по поручению компании.

Маркус Ромпель
Вице-президент отдела по разработке и производству,
PTE-Europe
, Richard-Klinger-Straße 11,
D-65510, Idstein, Германия
22.01.2021



ВНИМАНИЕ: Во избежание риска получения травм ознакомьтесь с инструкцией.

Батареи				Зарядные устройства/время зарядки (мин)									
Кат. №	V _{пост. тока}	Ah	Вес (kg)	DCB104	DCB107	DCB112	DCB113	DCB115	DCB116	DCB117	DCB118	DCB132	DCB119
DCB546	18/54	6,0/2,0	1,08	60	270	170	140	90	80	40	60	90	X
DCB547	18/54	9,0/3,0	1,46	75*	420	270	220	135*	110*	60	75*	135*	X
DCB548	18/54	12,0/4,0	1,46	120	540	350	300	180	150	80	120	180	X
DCB181	18	1,5	0,35	22	70	45	35	22	22	22	22	22	45
DCB182	18	4,0	0,61	60/40**	185	120	100	60	60/45**	60/40**	60/40**	60	120
DCB183/B/G	18	2,0	0,40	30	90	60	50	30	30	30	30	30	60
DCB184/B/G	18	5,0	0,62	75/50**	240	150	120	75	75/60**	75/50**	75/50**	75	150
DCB185	18	1,3	0,35	22	60	40	30	22	22	22	22	22	40
DCB187	18	3,0	0,54	45	140	90	70	45	45	45	45	45	90
DCB189	18	4,0	0,54	60	185	120	100	60	60	60	60	60	120

*Код даты 201811475В или новее

**Код даты 201536 или новее

Обозначения: правила техники безопасности

Ниже описывается уровень опасности, обозначаемый каждым из предупреждений. Прочитайте руководство и обратите внимание на данные символы.



ОПАСНО: Обозначает опасную ситуацию, которая **неизбежно приведет к серьезной травме или смертельному исходу**, в случае несоблюдения соответствующих мер безопасности.



ВНИМАНИЕ: Указывает на потенциально опасную ситуацию, которая, в случае несоблюдения соответствующих мер безопасности, **может привести к серьезной травме или смертельному исходу**.



ПРЕДУПРЕЖДЕНИЕ: Указывает на потенциально опасную ситуацию, которая, в случае несоблюдения соответствующих мер безопасности **может стать причиной травм средней или легкой степени тяжести**.

ПОЯСНЕНИЕ: Указывает на практики, использование которых не связано с получением травмы, но если ими пренебречь, **могут привести к порче имущества**.



Указывает на риск поражения электрическим током.



Указывает на риск возгорания.

ОБЩИЕ ПРАВИЛА ТЕХНИКИ БЕЗОПАСНОСТИ ПРИ ИСПОЛЬЗОВАНИИ ЭЛЕКТРОИНСТРУМЕНТОВ



ВНИМАНИЕ: Прочитайте и просмотрите все предупреждения, инструкции, иллюстрации и спецификации по данному электроинструменту. Несоблюдение всех приведенных ниже инструкций может стать причиной поражения электрическим током, возгорания и/или тяжелой травмы.

СОХРАНИТЕ ВСЕ ИНСТРУКЦИИ ДЛЯ ПОСЛЕДУЮЩЕГО ИСПОЛЬЗОВАНИЯ

Термин «электроинструмент» в предупреждениях относится к работающим от сети (проводным) электроинструментам или работающим от аккумуляторной батареи (беспроводным) электроинструментам.

1) Безопасность на рабочем месте

- Следите за чистотой и хорошим освещением на рабочем месте.** Захламленное или плохо освещенное рабочее место может стать причиной несчастного случая.
- Запрещается работать с электроинструментами во взрывоопасных местах, например, вблизи легковоспламеняющихся жидкостей, газов и пыли.** Искры, которые появляются при работе электроинструментов могут привести к воспламенению пыли или паров.
- Следите за тем, чтобы во время работы с электроинструментом в зоне работы не было посторонних и детей.** Отвлекаясь от работы вы можете потерять контроль над инструментом.

2) Электробезопасность

- Штепсельная вилка электроинструмента должна соответствовать розетке. Никогда не меняйте вилку инструмента. Запрещается использовать переходники к вилкам для электроинструментов с заземлением.** Использование оригинальных штепсельных вилок, соответствующих типу сетевой розетки снижает риск поражения электрическим током.
- Избегайте контакта с заземленными поверхностями, такими как трубы, радиаторы и холодильники.** Если вы будете заземлены, увеличивается риск поражения электрическим током.

- c) **Запрещается оставлять электроинструмент под дождем и в местах повышенной влажности.**
При попадании воды в электроинструмент риск поражения электрическим током возрастает.
- d) **Берегите кабель от повреждений. Никогда не используйте кабель для переноски инструмента, не тяните за него, пытайтесь отключить инструмент от сети. Держите кабель подальше от источников тепла, масла, острых углов или движущихся предметов.**
Поврежденный или запутанный кабель питания повышает риск поражения электрическим током.
- e) **При работе с электроинструментом на открытом воздухе используйте удлинитель, подходящий для использования на улице.**
Использование кабеля питания, предназначенного для использования вне помещения, снижает риск поражения электрическим током.
- f) **Если использование электроинструмента в условиях повышенной влажности неизбежно, используйте устройства защитного отключения (УЗО) для защиты сети.**
Использование УЗО сокращает риск поражения электрическим током.

3) Обеспечение индивидуальной безопасности

- a) **Будьте внимательны, смотрите, что делаете и не забывайте о здравом смысле при работе с электроинструментом. Запрещается работать с электроинструментом в состоянии усталости, наркотического, алкогольного опьянения или под воздействием лекарственных препаратов.** Невнимательность при работе с электроинструментом может привести к серьезным телесным повреждениям.
- b) **Используйте индивидуальные средства защиты. Всегда используйте защитные очки.** Средства защиты, такие как пылезащитная маска, обувь с нескользящей подошвой, каска и защитные наушники, используемые при работе, уменьшают риск получения травм.
- c) **Примите меры для предотвращения случайного включения. Перед тем как подключить электроинструмент к сети и/или аккумуляторной батарее, возьмите инструмент или перенести его на другое место, убедитесь в том, что выключатель находится в положении «Выкл.».** Если при переносе электроинструмента он подключен к сети, и при этом ваш палец находится на выключателе, это может стать причиной несчастных случаев.
- d) **Уберите все регулировочные или гаечные ключи перед включением электроинструмента.** Ключ, оставленный на вращающейся части электроинструмента, может привести к травме.
- e) **Не пытайтесь дотянуться до слишком удаленных поверхностей. Обувь должна быть удобной, чтобы вы всегда могли сохранять**

- равновесие.** Это позволит лучше контролировать электроинструмент в непредвиденных ситуациях.
- f) **Одевайтесь соответствующим образом. Избегайте носить свободную одежду и ювелирные украшения. Следите за тем, чтобы волосы и одежда не попали под движущиеся детали.** Возможно наматывание свободной одежды, ювелирных изделий и длинных волос на движущиеся детали.
- g) **При наличии устройств для подключения оборудования для удаления и сбора пыли необходимо обеспечить правильность их подключения и эксплуатации.** Использование устройства для пылеудаления сокращает риски, связанные с пылью.
- h) **Не позволяйте хорошему знанию от частого использования инструментов стать причиной самонадеянности и игнорирования правил техники безопасности.** Небрежное действие может повлечь серьезные травмы за долю секунды.

4) Эксплуатация электроинструмента и уход за ним

- a) **Избегайте чрезмерной нагрузки электроинструмента. Используйте электроинструмент в соответствии с назначением.** Правильно подобранный электроинструмент выполнит работу более эффективно и безопасно при стандартной нагрузке.
- b) **Не пользуйтесь инструментом, если не работает выключатель.** Любой инструмент, управляемый выключением и включением которого невозможно, опасен, и его необходимо отремонтировать.
- c) **Перед выполнением любых настроек, сменной аксессуаров или прежде чем убрать инструмент на хранение, отключите его от сети и/или снимите с него аккумуляторную батарею, если ее можно снять.** Такие превентивные меры безопасности сокращают риск случайного включения электроинструмента.
- d) **Храните электроинструмент в недоступном для детей месте и не позволяйте работать с инструментом людям, не имеющим соответствующих навыков работы с такого рода инструментами.** Электроинструмент представляет опасность в руках неопытных пользователей.
- e) **Поддерживайте электроинструмент и принадлежности в исправном состоянии. Проверьте, не нарушена ли центровка или не заклинены ли движущиеся детали, нет ли повреждений или иных неисправностей, которые могли бы повлечь за работу электроинструмента. В случае обнаружения повреждений, прежде чем приступить к эксплуатации электроинструмента, его нужно отремонтировать.** Большинство

несчастных случаев происходит из-за электроинструментов, которые не обслуживаются должным образом.

- f) **Содержите режущий инструмент в остро заточенном и чистом состоянии.** Вероятность заклинивания инструмента, за которым следят должным образом и который хорошо заточен, значительно меньше, а работать с ним легче.
- g) **Используйте электроинструменты, принадлежности и насадки в соответствии с данными инструкциями, принимая во внимание условия работы и характер выполняемой работы.** Использование электроинструмента для выполнения операций, для которых он не предназначен, может привести к созданию опасных ситуаций.
- h) **Все рукоятки и поверхности захватывания должны быть сухими и без следов смазки.** Скользкие рукоятки и поверхности захватывания не позволяют обеспечить безопасность работы и управления инструментом в непредвиденных ситуациях.

5) Использование аккумуляторных электроинструментов и уход за ними

- a) **Используйте для зарядки аккумуляторной батареи только указанное производителем зарядное устройство.** Использование зарядного устройства определенного типа для зарядки других батарей может привести к возгоранию.
- b) **Используйте для электроинструмента только батареи указанного типа.** Использование других аккумуляторных батарей может стать причиной травмы и пожара.
- c) **Оберегайте батарею от попадания в нее скрепок, монет, ключей, гвоздей, болтов или других мелких металлических предметов, которые могут вызвать замыкание контактов.** Короткое замыкание контактов аккумуляторной батареи может привести к пожару или получению ожогов.
- d) **При повреждении батареи, из нее может вытечь электролит. Не прикасайтесь к нему. При случайном контакте с электролитом смойте его водой. При попадании электролита в глаза обратитесь за медицинской помощью.** Жидкость, находящаяся внутри батареи, может вызвать раздражение или ожоги.
- e) **Не используйте поврежденные или измененные аккумуляторные батареи или инструменты.** Поврежденные или измененные аккумуляторные батареи могут работать непредсказуемо, что может привести к возгоранию, взрыву или риску получения травм.
- f) **Не подвергайте аккумуляторные батареи или инструмент воздействию огня или повышенной температуры.** Открытый огонь или воздействие высокой температуры выше 130 °C может привести к взрыву.

- g) **Следуйте всем инструкциям по зарядке и не заряжайте аккумуляторную батарею или инструмент вне температурного диапазона, указанного в инструкции.** Неправильная зарядка или зарядка вне указанного температурного диапазона может привести к повреждению батареи и увеличить риск возгорания.

6) Обслуживание

- a) **Обслуживание электроинструмента должен проводить квалифицированный специалист с использованием только оригинальных запасных частей.** Это позволит обеспечить безопасность обслуживаемого электрифицированного инструмента.
- b) **Не выполняйте обслуживание поврежденных аккумуляторных батарей.** Обслуживание аккумуляторных батарей должно выполняться только производителем или авторизованными поставщиками услуг.

Дополнительные инструкции по технике безопасности для перфораторов

- **Носите защитные наушники.** Воздействие шума может привести к потере слуха.
- **Используйте вспомогательную ручку (и), если она поставляется вместе с инструментом.** Потеря контроля может привести к травме.
- **Держите электроинструмент за изолированные поверхности для захвата, когда выполняете операцию, когда режущий инструмент может соприкоснуться со скрытой проводкой.** Разрезание аксессуаров, контактирующих с проводом под напряжением, может привести к повреждению металлических частей электроинструмента и привести к поражению электрическим током оператора.
- **Убедитесь, что просверливаемый материал не скрывает электрические или газовые работы и что их местоположение было проверено коммунальными компаниями.**
- **Используйте зажимы или другой практичный способ закрепления и поддержки заготовки на устойчивой платформе.** Держать работу руками или против вашего тела неустойчиво и может привести к потере контроля.
- **Носите защитные очки или другие средства защиты глаз.** Ударная операция приводит к отлету стружки. Летящие частицы могут привести к необратимому повреждению глаз. Носите респиратор или респиратор для приложений, которые производят пыль. Для большинства применений может потребоваться защита слуха.
- **Всегда крепко держите инструмент.** Не пытайтесь использовать этот инструмент, не держа его обеими руками. Рекомендуется всегда использовать боковую ручку. Использование этого инструмента одной рукой

приведет к потере контроля. Пролом или столкновение с твердыми материалами, такими как арматура, также может быть опасным. Надежно затяните боковую ручку перед использованием.

- **Не используйте этот инструмент в течение длительного времени.** Вибрация, вызванная действием молотка, может нанести вред вашим рукам и рукам. Используйте перчатки, чтобы обеспечить дополнительную подушку и ограничить воздействие, принимая частые периоды отдыха.
- **Не восстанавливайте биты самостоятельно.** Восстановление долота должно выполняться уполномоченным специалистом. Неправильно отремонтированные долота могут привести к травме.
- **Надевайте перчатки, когда работаете с инструментом или меняете биты.** Доступные металлические детали на инструменте и биты могут сильно нагреваться во время работы. Маленькие кусочки сломанного материала могут повредить голые руки.
- **Никогда не кладите инструмент, пока бит не остановится полностью.** Перемещение бит может привести к травме.
- **Не ударяйте застрявшие биты молотком, чтобы выбить их.** Фрагменты металлической или материальной стружки могут сместиться и стать причиной травмы.
- **Слегка изношенные долота можно заточить шлифовкой.**
- **Не перегревайте бит (обесцвечивание) при шлифовании нового края.** Сильно изношенные долота требуют перековки. Не затвердевайте и не отпускайте зубило.

Остаточные риски

Следующие риски присущи использованию перфораторов:

- Травмы, вызванные прикосновением к вращающимся частям или горячим частям инструмента.
- Несмотря на соблюдение соответствующих инструкций по технике безопасности и использование предохранительных устройств, некоторые остаточные риски невозможно полностью исключить. А именно:
- Нарушение слуха.
 - Опасность сдавливания пальцев при смене аксессуара.
 - Опасность для здоровья, вызванная вдыханием пыли при работе с бетоном и / или каменной кладкой.
 - Опасность травмирования летающими частицами.
 - Опасность ожога из-за того, что аксессуары нагреваются во время работы
 - Риск травмы в результате длительного использования.

Зарядные устройства

Зарядные устройства не требуют регулировки и максимально просты в использовании.

Электробезопасность

Электродвигатель рассчитан на работу только при одном напряжении сети. Необходимо обязательно убедиться в том, что напряжение источника питания соответствует указанному на шильдике устройства. Необходимо также убедиться в том, что напряжение работы зарядного устройства соответствует напряжению в сети.



Зарядное устройство оснащено двойной изоляцией в соответствии с требованиями EN60335; поэтому провод заземления не требуется.

В случае повреждения кабеля питания его необходимо заменить специально подготовленным кабелем, который можно приобрести в сервисных центрах.

Использование удлинительного кабеля

Используйте удлинитель только в случаях крайней необходимости. Используйте только утвержденные удлинители промышленного изготовления, рассчитанные на мощность не меньшую, чем потребляемая мощность зарядного устройства (см. **Технические характеристики**). Минимальное поперечное сечение провода электрического кабеля должно составлять 1 мм²; максимальная длина 30 м. При использовании кабельного барабана всегда полностью разматывайте кабель.

Важные инструкции по технике безопасности для всех зарядных устройств

СОХРАНИТЕ НАСТОЯЩЕЕ РУКОВОДСТВО. В данном руководстве содержатся важные инструкции по технике безопасности для совместимых зарядных устройств (см. **Технические характеристики**).

- **Перед тем как использовать зарядное устройство, внимательно изучите все инструкции и предупреждающие этикетки на зарядном устройстве, батарее и инструменте, для которого используется батарея.**



ВНИМАНИЕ: Опасность поражения электрическим током. Не допускайте попадания жидкости в зарядное устройство. Это может привести к поражению электрическим током.



ВНИМАНИЕ: Рекомендуется использовать устройство защитного отключения (УЗО) с током утечки до 30 мА.



ВНИМАНИЕ: Опасность ожога. Во избежание травм, следует использовать только аккумуляторные батареи производства. Использование батарей другого типа может привести к взрыву, травмам и повреждениям.



ПРЕДУПРЕЖДЕНИЕ: Не позволяйте детям играть с данным устройством.

ПОЯСНЕНИЕ: В определенных условиях, при подключении зарядного устройства к источнику питания, может произойти короткое замыкание контактов внутри зарядного устройства посторонними материалами. Не допускайте

попадания в полости зарядного устройства таких токопроводящих материалов, как стальная стружка, алюминиевая фольга или другие металлические частицы и т. п. Всегда отключайте зарядное устройство от источника питания, если в нем нет аккумуляторной батареи. Всегда отключайте зарядное устройство от сети перед тем, как приступить к очистке инструмента

- **НЕ ПЫТАЙТЕСЬ заряжать батареи с помощью каких-либо других зарядных устройств, кроме тех, которые указаны в данном руководстве.** Зарядное устройство и батарея предназначены для совместного использования.
- **Эти зарядные устройства не предназначены ни для какого другого использования, помимо зарядки аккумуляторных батарей.** Использование любых других батарей может привести к возгоранию, поражению электрошоком или гибели от электрического шока.
- **Не подвержайте зарядное устройство воздействию снега или дождя.**
- **При отключении зарядного устройства от сети всегда тяните за штепсельную вилку, а не за кабель.** Это поможет избежать повреждения штепсельной вилки и розетки.
- **Убедитесь в том, что кабель расположен таким образом, чтобы на него не наступили, не споткнулись об него, а также в том, что он не натянут и не может быть поврежден.**
- **Не используйте удлинительный кабель без крайней необходимости.** Использование удлинительного кабеля неподходящего типа может привести к пожару или поражению электрическим током.
- **Не ставьте на зарядное устройство никакие предметы и не устанавливайте зарядное устройство на мягкую поверхность, которая может закрыть вентиляционные отверстия и привести к перегреву.** Не размещайте зарядное устройство поблизости от источников тепла. Вентиляция зарядного устройства происходит с помощью отверстий в верхней и нижней части корпуса.
- **Не используйте зарядное устройство при наличии поврежденного кабеля или штепсельной вилки – в этом случае необходимо немедленно их заменить.**
- **Не используйте зарядное устройство, если его роняли, либо если оно подвергалось сильным ударам или было повреждено каким-либо иным образом.** Обратитесь в авторизованный сервисный центр.
- **Не разбирайте зарядное устройство. При необходимости обратитесь в специализированный сервисный центр, если нужно провести обслуживание или ремонт инструмента.** Неправильная сборка может стать причиной пожара или поражения электрическим током.

- В случае повреждения кабеля питания его необходимо немедленно заменить у производителя, в его сервисном центре или с привлечением другого специалиста аналогичной квалификации для предотвращения несчастного случая.
- **Перед очисткой отключите зарядное устройство от сети. В противном случае, это может привести к поражению электрическим током.** Извлечение аккумуляторной батареи не приведет к снижению степени этого риска.
- **НИКОГДА не подключайте два зарядных устройства вместе.**
- **Зарядное устройство предназначено для работы при стандартном напряжении сети в 230 В. Не пытайтесь использовать его при каком-либо ином напряжении.** Это не относится к автомобильному зарядному устройству.










Зарядка батареи (Рис. [Fig.] В)

1. Перед установкой батареи подключите зарядное устройство к соответствующей сетевой розетке.
2. Вставьте аккумуляторную батарею **8** в зарядное устройство, убедившись в том, что она хорошо установлена. Красный индикатор зарядки начнет мигать. Это означает, что процесс зарядки начался.
3. По окончании зарядки красный индикатор будет гореть непрерывно, не мигая. Теперь батарея полностью заряжена, и ее можно использовать или оставить в зарядном устройстве. Чтобы извлечь аккумуляторную батарею из зарядного устройства, нажмите кнопку фиксатора батареи **9** и извлеките батарею.

ПРИМЕЧАНИЕ: Чтобы обеспечить максимальную производительность и срок службы литий-ионных батарей, перед первым использованием полностью зарядите аккумуляторную батарею.

Работа с зарядным устройством

См. состояние зарядки аккумуляторной батареи на приведенных ниже индикаторах.

Индикаторы зарядки	
 Зарядка	 
 Полностью заряжен	 
 Температурная задержка*	 

*В это время красный индикатор продолжит мигать, а когда начнется зарядка, загорится желтый. После того, как батарея достигнет рабочей температуры, желтый индикатор погаснет, и зарядка продолжится.

Зарядное(-ые) устройство(-а) не может(-гут) полностью зарядить неисправную аккумуляторную батарею. При неисправной аккумуляторной батарее, индикатор на зарядном устройстве не загорится.

ПРИМЕЧАНИЕ: Также это может указывать на проблему с зарядным устройством.

Если зарядное устройство указывает на наличие проблемы, проверьте аккумулятор и зарядное устройство в специализированном сервисном центре.

Температурная задержка

Если температура батареи слишком низкая или слишком высокая, зарядное устройство автоматически переходит в режим температурной задержки; при этом зарядка не начинается до тех пор, пока батарея не достигнет нужной температуры. После того, как нужный уровень температуры будет достигнут, устройство перейдет в режим зарядки. Данная функция обеспечивает максимальный срок эксплуатации батареи.

Зарядка холодной батареи занимает больше времени, чем теплой. Аккумуляторная батарея заряжается медленнее во время цикла зарядки и максимального заряда не удастся добиться даже после того, как аккумуляторная батарея будет теплой.

Зарядное устройство DCB118 оснащено внутренним вентилятором для охлаждения батареи. Вентилятор включится автоматически, если батарея нуждается в охлаждении. Не используйте зарядное устройство, если вентилятор не функционирует или если забиты вентиляционные отверстия. Не позволяйте посторонним предметам попадать внутрь зарядного устройства.

Система электронной защиты

Литий-ионные аккумуляторные батареи XR оснащены системой электронной защиты, которая защищает аккумуляторную батарею от перегрузки, перегрева или глубокой разрядки.

При срабатывании системы электронной защиты инструмент автоматически отключается. В этом случае поставьте литий-ионную батарею на зарядку до тех пор, пока она полностью не зарядится.

Крепление на стену

Данные зарядные устройства могут крепиться на стены или устанавливаться на стол или рабочую поверхность. При креплении на стену расположите зарядное устройство в пределах досягаемости розетки и подальше от углов и других препятствий, которые могут помешать потоку воздуха. Используйте заднюю часть зарядного устройства в качестве образца для положения монтажных болтов на стене. Надежно закрепите зарядное устройство при помощи саморезов (приобретаются отдельно) длиной минимум в 25,4 мм с диаметром шляпки самореза в 7–9 мм, вкрученных в дерево до оптимальной глубины, оставляющей на поверхности примерно 5,5 мм самореза. Совместите отверстие на задней стороне зарядного устройства с выступающими саморезами и полностью вставьте их в отверстия.

Инструкции по очистке зарядного устройства

⚠ ВНИМАНИЕ: Опасность поражения электрическим током. *Перед чисткой отключите зарядное устройство от сети питания.* Грязь и жир можно удалить с наружной поверхности зарядного устройства с помощью

тряпки или мягкой неметаллической щетки. *Не используйте воду или чистящие растворы. Не допускайте попадания жидкости внутрь инструмента; никогда не погружайте никакие из деталей инструмента в жидкость.*

Аккумуляторные батареи

Важные инструкции по технике безопасности для всех батарей

При заказе запасных батарей не забудьте указать номер по каталогу и напряжение.

При покупке батарея заряжена не полностью. Перед тем, как использовать батарею и зарядное устройство, прочтите следующие инструкции по технике безопасности. Затем выполните необходимые действия для зарядки.

ВНИМАТЕЛЬНО ПРОЧИТАЙТЕ ВСЕ ИНСТРУКЦИИ

- **Не заряжайте и не используйте батарею во взрывоопасной атмосфере, например, при наличии горючих жидкостей, газов или пыли.** Установка или удаление батареи из зарядного устройства может привести к воспламенению пыли или газов.
- **Никогда не прилагайте больших усилий, вставляя батарею в зарядное устройство. Не вносите изменения в конструкцию батарей с целью установить их в зарядное устройство, к которому они не подходят. Это может привести к серьезным травмам.**
- Заряжайте батареи только с помощью зарядных устройств.
- **НЕ ПРОЛИВАЙТЕ** на них и не погружайте их в воду или другие жидкости.
- **Не храните и не используйте данное устройство и батарею при температуре выше 40 °C (например, на внешних пристройках или на металлических поверхностях зданий в летнее время).**
- **Не сжигайте батареи, даже поврежденные или полностью отработавшие.** При попадании в огонь батареи могут взорваться. При сжигании литий-ионных батарей образуются токсичные вещества и газы.
- **При попадании содержимого батареи на кожу, немедленно промойте это место водой с мылом.** При попадании содержимого батареи в глаза, необходимо промыть открытые глаза проточной водой в течение 15 минут или до тех пор, пока не пройдет раздражение. При необходимости обращения к врачу, может пригодиться следующая информация: электролит представляет собой смесь жидких органических углекислых и литиевых солей.
- **При вскрытии батареи, ее содержимое может вызвать раздражение дыхательных путей.** Обеспечьте наличие свежего воздуха. Если симптомы сохраняются, обратитесь к врачу.

⚠️ ВНИМАНИЕ: Опасность ожога. Содержимое батареи может воспламениться при попадании искр или огня.

⚠️ ВНИМАНИЕ: Ни в коем случае не разбирайте батарею. При наличии трещин или других поврежденных батарей, не устанавливайте ее в зарядное устройство. Не роняйте батарею и не подвергайте ее ударам или другим повреждениям. Не используйте батарею или зарядное устройство после удара, падения или получения каких-либо других повреждений (например, после того, как ее проткнули гвоздем, ударили молотком или наступили на нее). Это может привести к удару или поражению электрическим током. Поврежденные батареи необходимо вернуть в сервисный центр для повторной переработки.

⚠️ ВНИМАНИЕ: Риск воспламенения. Избегайте замыкание выводов батарей металлическими предметами во время хранения или переноски. Например, не кладите аккумуляторные батареи в передники, карманы, ящики для инструментов, выдвигные ящики и т. п. с гвоздями, гайками, ключами и т. п.

⚠️ ПРЕДУПРЕЖДЕНИЕ: Когда устройство не используется, кладите его на бок на устойчивую поверхность в таком месте, где оно не может упасть и об него нельзя споткнуться. Некоторые устройства с батареями большого размера, стоят сверху на батареях, и могут легко упасть.

Транспортировка

⚠️ ВНИМАНИЕ: Риск воспламенения. При транспортировке аккумуляторных батарей может произойти возгорание, если терминалы аккумуляторных батарей случайно будут замкнуты электропроводящими материалами. При транспортировке аккумуляторных батарей убедитесь в том, что терминалы защищены и хорошо изолированы от материалов, контакт с которыми может привести к короткому замыканию.

ПРИМЕЧАНИЕ: Литий-ионные аккумуляторные батареи запрещается сдавать в багаж.

Батареи соответствуют всем применимым правилам транспортировки, как предусмотрено промышленными и юридическими стандартам, включая рекомендации ООН по транспортировке опасных грузов; Ассоциация международных авиаперевозчиков (IATA) правила перевозки опасных грузов, Международные правила перевозки опасных грузов морским путем (IMDG), и европейское соглашение о международной дорожной перевозке опасных грузов (ADR). Литий-ионные элементы и аккумуляторные батареи были протестированы в соответствии с разделом 38.3 Рекомендаций ООН по транспортировке опасных грузов руководства по тестам и критериям.

В большинстве случаев транспортировка аккумуляторных батарей не попадает под классификацию, поскольку они не являются опасными материалами Класса 9. В целом, полностью под правила Класса 9 подпадают только перевозки литий-ионных батарей с энергоемкостью выше 100 Ватт час (Вт ч). Энергоемкость всех литий-ионных аккумуляторных батарей в Ватт-часах указана на упаковке. Кроме того, из-за сложности правил, не рекомендует перевозку литий-ионных батарей по воздуху вне зависимости от их энергоемкости. Поставки инструментов с батареями (комбинированные наборы) могут перевозиться по воздуху согласно исключениям, если энергоемкость батареи не превышает 100 Вт ч.

Независимо от того, является ли перевозка исключением или выполняется по правилам, перевозчик должен уточнить последние требования к упаковке, маркировке и оформлению документации.

Информация, изложенная в данном руководстве обоснована и на момент создания данного документа может считаться точной. Но эта гарантия не является ни выраженной, ни подразумеваемой. Покупатель должен обеспечить то, что бы его деятельность соответствовала всем применимым законам.

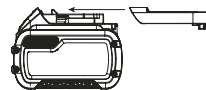
Транспортировка батареи FLEXVOLT™

Батарея DeWALT FLEXVOLT™ оснащена двумя режимами: эксплуатация и транспортировка.

Режим эксплуатации: если батарея FLEXVOLT™ используется отдельно или в изделии DeWALT на 18 В, то она будет работать в качестве батареи 18 В. Если батарея FLEXVOLT™ используется в изделии на 54 В или 108 В (две батареи 54 В), то она будет работать в качестве батареи 54 В.

Режим транспортировки: если к батарее FLEXVOLT™ прикреплена крышка, то батарея находится в режиме транспортировки. Сохраните крышку для транспортировки.



При режиме транспортировки ряды элементов электрически отсоединяются внутри батареи, что в итоге дает



3 батареи с более низкой энергоемкостью в ватт-часах (Вт ч) по сравнению с 1 батареей с более высокой емкостью в ватт-часах. Данное увеличенное количество в 3 батареи с более низкой энергоемкостью может исключить комплект из некоторых ограничений на перевозку, налагаемых на батареи с более высокой энергоемкостью.

Например, энергоемкость в режиме транспортировки

Пример маркировки режимов эксплуатации и транспортировки

 Use: 108 Wh
 Transport: 3x36 Wh

указана как 3 × 36 Вт ч, что может означать 3 батареи с емкостью

в 36 Вт ч каждая. Энергоемкость в режиме эксплуатации указана как 108 Вт ч (подразумевается 1 батарея).

Рекомендации по хранению

1. Лучшим местом для хранения является прохладное и сухое место, защищенное от прямых солнечных лучей,

высокой или низкой температуры. Для оптимальной работы и продолжительного срока службы, храните неиспользуемые аккумуляторные батареи при комнатной температуре.

- Для достижения максимальных результатов при продолжительном хранении рекомендуется полностью зарядить батарейный комплект и хранить его в прохладном сухом месте вне зарядного устройства.

ПРИМЕЧАНИЕ: Аккумуляторные батареи не должны храниться в полностью разряженном состоянии. Перед использованием аккумуляторная батарея требует повторной зарядки.

Маркировка на зарядном устройстве и аккумуляторной батарее

Помимо пиктограмм, используемых в данном руководстве, на зарядном устройстве и батарее имеются следующие обозначения:



Перед началом работы прочтите руководство по эксплуатации.



Чтобы узнать время зарядки, см. **Технические характеристики**.



Не касайтесь токопроводящими предметами контактов батареи и зарядного устройства.



Не пытайтесь заряжать поврежденную батарею.



Не подвергайте электроинструмент или его элементы воздействию влаги.



Немедленно заменяйте поврежденный кабель питания.



Зарядку осуществляйте только при температуре от 4 °C до 40 °C.



Для использования внутри помещений.



Утилизируйте отработанные батареи безопасным для окружающей среды способом.



Заряжайте аккумуляторные батареи только с помощью соответствующих зарядных устройств. Зарядка иных аккумуляторных батарей, кроме на зарядных устройствах может привести к возгоранию аккумуляторных батарей и возникновению других опасных ситуаций.



Не сжигайте аккумуляторную батарею.



ЭКСПЛУАТАЦИЯ (без крышки для транспортировки). Пример: энергоемкость указана как 108 Вт ч (1 батарея с 108 Вт ч).



ТРАНСПОРТИРОВКА (с крышкой для транспортировки). Пример: энергоемкость указана как 3 x 36 Вт ч (3 батареи по 36 Вт ч).

Тип батареи

DCH172 работает от аккумуляторной батареи напряжением 18 В.

Могут применяться следующие типы батарей: DCB181, DCB182, DCB183, DCB183B, DCB184, DCB184B, DCB185, DCB187, DCB189, DCB546, DCB547, DCB548. Подробную информацию см. в **Технических характеристиках**.

Комплект поставки

В упаковку входят:

- Аккумуляторный перфоратор
- Боковая рукоятка и ограничитель глубины
- Зарядное устройство
- Ионно-литиевая аккумуляторная батарея (модели C1, D1, G1, L1, M1, P1, S1, T1, X1, Y1)
- Ионно-литиевые аккумуляторные батареи (модели C2, D2, G2, L2, M2, P2, S2, T2, X2, Y2)
- Ионно-литиевые аккумуляторные батареи (модели C3, D3, G3, L3, M3, P3, S3, T3, X3, Y3)
- Чемодан для хранения (не входит в комплект поставки моделей XE)
- Руководство по эксплуатации

ПРИМЕЧАНИЕ: Аккумуляторные батареи, зарядные устройства и инструментальные ящики не входят в комплект поставки для моделей N. Аккумуляторные батареи и зарядные устройства не входят в комплект поставки для моделей NT. Модели V оснащены аккумуляторной батареей Bluetooth®.

ПРИМЕЧАНИЕ: Словесный товарный знак и логотип Bluetooth® являются зарегистрированными товарными знаками Bluetooth®, SIG, Inc. любое использование этих знаков DeWALT лицензировано. Другие торговые марки и названия принадлежат их владельцам.

- Проверьте инструмент, детали и дополнительные принадлежности на предмет повреждений, которые могли произойти во время транспортировки.
- Перед эксплуатацией внимательно прочтите данное руководство.

Маркировка на инструменте

На инструмент нанесены следующие обозначения:



Перед началом работы прочтите руководство по эксплуатации.



Используйте защитные наушники.



Используйте защитные очки.



Видимое излучение. Не направляйте луч в глаза.

Место положения кода даты (Рис. В)

Код даты **13**, который также включает в себя год изготовления, отштампован на поверхности корпуса инструмента.

Пример:

2021 XX XX
Год изготовления

Описание (Рис. А)

ВНИМАНИЕ: Никогда не вносите изменения в конструкцию электроинструмента или какой-либо его части. Это может привести к повреждениям или травмам.

- 1 Боковая рукоятка
- 2 Ограничитель глубины сверления
- 3 Курковый пусковой выключатель
- 4 Кнопка переключателя направления вращения (кнопка блокировки)
- 5 Переключатель режимов работы
- 6 Основная рукоятка
- 7 Подсветка
- 8 Аккумуляторная батарея
- 9 Отпирающая кнопка батареи
- 10 Система активного контроля вибрации
- 11 Крепление для ремня
- 12 Узел крепления ланьярда

Назначение

Данный аккумуляторный перфоратор высокой мощности предназначен для выполнения профессиональных работ по сверлению бетона, древесины и металла.

НЕ ИСПОЛЬЗУЙТЕ в условиях повышенной влажности или поблизости от легковоспламеняющихся жидкостей или газов.

Данный аккумуляторный перфоратор высокой мощности является профессиональным электроинструментом.

НЕ РАЗРЕШАЙТЕ детям прикасаться к инструменту.

Использование инструмента неопытными пользователями должно происходить под контролем опытного лица.

- **Малолетние дети и люди с ограниченными физическими возможностями.** Этот инструмент не предназначен для использования малолетними детьми или людьми с ограниченными физическими возможностями кроме как под контролем лица, отвечающего за их безопасность.
- Данный инструмент не предназначен для использования лицами (включая детей) с ограниченными физическими, психическими и умственными возможностями, не имеющими опыта, знаний или навыков работы с ним, если они не находятся под наблюдением лица, ответственного за их безопасность. Никогда не оставляйте детей без присмотра с этим инструментом.

СБОРКА И РЕГУЛИРОВКА

ВНИМАНИЕ: Чтобы снизить риск получения серьезной травмы, необходимо выключить инструмент и отсоединить батарею, прежде чем выполнять какую-либо регулировку либо удалять/устанавливать какие-либо насадки или дополнительные принадлежности. Случайный запуск может привести к травме.

ВНИМАНИЕ: Используйте только зарядные устройства и аккумуляторные батареи марки .

Установка и извлечение аккумуляторной батареи из инструмента (Рис. В)

ПРИМЕЧАНИЕ: Убедитесь, что аккумуляторная батарея **8** полностью заряжена.

Установка батареи в рукоятку инструмента

- 1 Совместите аккумуляторную батарею **8** с выемкой на внутренней стороне рукоятки (Рис. В).
- 2 Задвиньте ее в рукоятку так, чтобы аккумуляторная батарея плотно встала на место и убедитесь, что услышали щелчок от вставшего на место замка.

Извлечение батареи из инструмента

1. Нажмите кнопку фиксатора батареи **9** и вытащите батарею из рукоятки.
2. Вставьте батарею в зарядное устройство, как указано в разделе данного руководства, посвященном зарядному устройству.

Датчик уровня заряда аккумуляторной батареи (Рис. В)

В некоторых аккумуляторных батареях есть датчик заряда, который включает три зеленых светодиодных индикатора, показывающих уровень оставшегося заряда аккумуляторной батареи.

Для включения датчика заряда, нажмите и удерживайте кнопку датчика заряда **14**. Загорятся три зеленых светодиода, показывая уровень оставшегося заряда. Когда уровень заряда аккумуляторной батареи будет ниже уровня, необходимого для использования, светодиоды перестанут гореть и аккумуляторную батарею следует зарядить.

ПРИМЕЧАНИЕ: Датчик заряда аккумуляторной батареи показывает уровень оставшегося заряда. Он не показывает работоспособность устройства и его показания могут меняться в зависимости от компонентов продукта, температуры и сфер применения.

Электронная защита от перегрузок

При заклинивании сверла питание сверлильного шпинделя будет прервано срабатыванием электронной защиты от перегрузок. Чтобы возобновить подачу питания на приводной шпиндель, отпустите курковый пусковой выключатель и снова нажмите на него. Во избежание сильной отдачи, всегда крепко держите инструмент обеими руками и сохраняйте устойчивое положение при работе.

Активный контроль вибрации (Рис. А)

Для наилучшего контроля вибрации, одна рука должна находиться на основной рукоятке **6**, а другая на боковой рукоятке **1**. Окажите достаточно давления, чтобы активный контроль вибрации **10** в задней рукоятке был нажат наполовину. Перфоратору достаточно оказанного давления, способного задействовать контроль активной вибрации. Чрезмерное давление не увеличит скорость перфоратора и контроль активной вибрации не будет задействован.

Крепление ланьярда (Рис. А, К)

Дополнительная принадлежность

Специальные меры предосторожности при работе на высоте



ВНИМАНИЕ:

Если инструмент по какой-либо причине уронили, перед его повторным использованием необходимо проверить и отремонтировать ланьярд. Ланьярд предназначен для растягивания и поглощения ударов при падении. Если в результате длительного растягивания ланьярда обнажаются внутренние катушки, помеченные красным цветом, это указывает на то, что ланьярд поврежден и должен быть отремонтирован перед повторным использованием.

- Не используйте крепление для ремня в качестве узла крепления ланьярда.
- Используйте только аккумуляторные батареи со встроенным ремешком. Не используйте незакрепленные батареи, когда инструмент привязан. Незакрепленные батареи могут отсоединиться от инструмента при падении.
- Всегда привязывайте инструмент и дополнительные принадлежности при работе на высоте. (Максимальная длина ланьярда: 2 м.)
- Используйте только ланьярды, которые подходят для этого типа инструмента и рассчитаны по крайней мере на вес, указанный на этикетке узла крепления ланьярда.
- Опасность защемления, разрезания или спутывания. Не используйте рядом с движущимися частями, механизмами или работающим оборудованием.
- Не прикрепляйте ланьярд для инструмента к чему-либо на своем теле. Прикрепляйте к жесткой конструкции, способной выдержать воздействие падающего инструмента.
- Перед использованием убедитесь, что ланьярд надежно закреплен с каждого конца.
- Проверяйте инструмент и ланьярд перед каждым использованием на предмет повреждений и правильного функционирования (включая ткань и швы). Не используйте, если какая-либо часть функционирует неправильно.

- Не изменяйте узел крепления Lanyard Ready™ и не используйте его иначе, чем указано в данном руководстве.
- Присоединяйте инструмент только к ланьярду с фиксирующим карабином. Не закрепляйте ланьярд над инструментом петлями или завязывая узлом. Не используйте веревку или канат.
- Опасность поражения электрическим током. Убедитесь, что питание отключено при работе в зонах высокого напряжения. Некоторые ланьярды являются токопроводящими.
- Уроненные инструменты будут качаться на ланьярде, что может привести к травме или потере равновесия.
- Не переносите инструмент за узел крепления Lanyard Ready™, ремешок для аккумулятора или ланьярд.
- Не крепите на одном ланьярде более одного инструмента.
- Используйте только соответствующий комплект крепления для ланьярдов марки DEWALT. НИКОГДА не модифицируйте инструменты с целью создать узел крепления.
- Переносите инструмент из одной руки в другую только при правильной балансировке и устойчивом положении.
- Не прикрепляйте ланьярды к инструменту таким образом, чтобы они препятствовали работе защитных кожухов, пусковых выключателей или кнопок блокировки выключателя.
- Избегайте запутывания ланьярда.
- Держите ланьярд в стороне от зоны резания инструмента.
- Не используйте ланьярды или приспособления для крепления для получения дополнительных функциональных возможностей инструмента.
- Не используйте для личной защиты от падения.
- Опасность падения предметов! Заменяйте батареи, аксессуары и приспособления только в тех случаях, когда упавший предмет не создает опасности под вами. Проконсультируйтесь с вашим уполномоченным органом или руководителем участка для получения информации о процедурах работы на высоте.
- Не используйте зарядное устройство или рабочую сумку на высоте.
- Используйте карабины с многопозиционным закрытием или карабины с винтовым затвором. Не используйте карабины с пружинным зажимом одинарного действия.

Монтажный узел Lanyard Ready™ **12** предназначен для монтажа узла крепления ланьярда Lanyard Ready™ DEWALT, который можно приобрести в сервисном центре DEWALT.

Комплект для крепления с ланьярдом предназначен для использования компетентным персоналом, который обучен и осведомлен о работе с инструментами как на земле, так и на высоте. Комплект для крепления с ланьярдом может быть добавлен только к определенным моделям и должен быть установлен в авторизованном сервисном центре.

Боковая рукоятка и ограничитель глубины сверления (Рис. А, С)

⚠ ВНИМАНИЕ: Во избежание травмы, необходимо всегда проверять надежность установки боковой рукоятки. Невыполнение этого требования может привести к соскальзыванию боковой рукоятки во время работы инструмента и к потере управления. Чтобы обеспечить максимальный контроль над инструментом, удерживайте его обеими руками.

Боковая рукоятка **1** крепится на передней части редуктора и может поворачиваться на 360° для использования как правой, так и левой рукой.

Боковая рукоятка защелкивается на муфте **15** и имеет 12 положений фиксации. Боковая рукоятка затягивается путем поворачивания ручки захвата по часовой стрелке. Боковую рукоятку необходимо затянуть достаточно сильно для того, чтобы она могла выдержать вращательное движение инструмента в случае, если он остановится или заклинит. Убедитесь, что вы переместили боковую рукоятку вплотную к концу муфты, чтобы зажимная деталь полностью вошла в зацепление.

Регулировка ограничителя глубины сверления (Рис. А)

Ослабьте боковую рукоятку **1** и переместите ограничитель глубины сверления **2** так, чтобы расстояние между концом ограничителя и концом насадки были равны нужной глубине сверления. При сверлении отверстия с ограничителем глубины сверления остановитесь, когда конец ограничителя коснется поверхности материала.

Крепление для ремня (Рис. D)

⚠ ВНИМАНИЕ: Чтобы снизить риск серьезного травмирования, для подвешивания инструмента на рабочий ремень используйте ТОЛЬКО крепление для ремня из комплекта поставки. ЗАПРЕЩАЕТСЯ использовать крепление для ремня для крепления инструмента на человеке или каком-либо объекте во время эксплуатации. НЕ ПОДВЕШИВАЙТЕ инструмент над головой и не прицепляйте другие объекты к креплению для ремня.

⚠ ВНИМАНИЕ: Во избежание получения серьезной травмы убедитесь в том, что винт крепления для ремня надежно затянут.

ВАЖНО: Закрепляя или меняя положение крепления для ремня **11**, используйте только винт **16**, входящий в комплект поставки. Убедитесь в надежности затяжки винта.

Крепление для ремня можно устанавливать с любой стороны инструмента для использования пользователями с рабочей

правой или левой рукой, и только с использованием винта, входящим в комплект поставки. Если крепление не нужно, его можно снять с инструмента.

Чтобы передвинуть крепление для ремня, открутите винт, удерживающий его, и установите крепление на противоположной стороне. Убедитесь, что винт надежно затянут.

Насадки и патрон

⚠ ВНИМАНИЕ: Опасность ожога. **ВСЕГДА** надевайте перчатки при смене насадок. Выступающие металлические части инструмента и насадки могут очень сильно нагреваться во время работы. Частицы обрабатываемого материала могут стать причиной травмы незащищенных рук.

Перфоратор можно оснастить различными насадками, в зависимости от задач. **Используйте только хорошо заточенные насадки.**

Рекомендации по насадкам

- Для работы по дереву, используйте спиральные сверла, перовые сверла, шнековые буры или цифенборы.
- Для работы по металлу используйте спиральные стальные сверла или цифенборы. При сверлении металла используйте смазочно-охлаждающую жидкость. Исключение составляют чугун и латунь — их следует сверлить сухими.

Патрон SDS plus® (Рис. H)

ПРИМЕЧАНИЕ: Для использования с патроном SDS plus® насадок с прямым хвостовиком и шестигранных отверточных насадок необходимо наличие специального переходника. См. раздел «Дополнительные принадлежности».

Чтобы вставить насадку или другую принадлежность:

1. Вставьте хвостовик насадки длиной примерно 19 мм в SDS plus® патрон **17**.
2. Надавите и поворачивайте насадку, пока она не встанет на место. Она будет надежно закреплена в патроне.
3. Чтобы извлечь насадку, оттяните зажимное кольцо **18** назад и извлеките насадку.

ЭКСПЛУАТАЦИЯ

Инструкции по использованию

⚠ ВНИМАНИЕ: Всегда следуйте указаниям действующих норм и правил безопасности.

⚠ ВНИМАНИЕ: Чтобы снизить риск получения серьезной травмы, необходимо выключить инструмент и отсоединить батарею, прежде чем выполнять какую-либо регулировку либо удалять/устанавливать какие-либо насадки или дополнительные принадлежности. Случайный запуск может привести к травме.

Правильное положение рук (Рис. А, Е)

ВНИМАНИЕ: Во избежание риска получения серьезных травм, **ВСЕГДА** используйте правильное положение рук как показано на рисунке.

ВНИМАНИЕ: Во избежание риска получения серьезных травм **ВСЕГДА** крепко держите инструмент, предупреждая внезапную резкую отдачу.

При правильном расположении рук одна рука находится на боковой рукоятке **1**, а другая на основной рукоятке **6**.

Курковый пусковой выключатель (Рис. А)

Чтобы включить инструмент, нажмите на курковый пусковой выключатель **3**. Чтобы выключить инструмент, отпустите курковый пусковой выключатель. Инструмент оснащен тормозом. Патрон останавливается сразу же после полного отпуска куркового пускового выключателя.

Курковый пусковой выключатель с регулировкой скорости

Курковый пусковой выключатель позволяет выбирать оптимальную скорость для конкретного применения. Чем сильнее нажат курковый пусковой выключатель, тем выше скорость вращения. Для обеспечения максимального срока службы инструмента, используйте переменную скорость только в начале высверливания отверстий и заворачивания крепежных элементов.

ПРИМЕЧАНИЕ: Постоянное использование в режиме переменной скорости не рекомендуется. Это может привести к повреждению куркового пускового выключателя и поэтому не допускается.

Кнопка переключателя направления вращения (Рис. F)

Кнопка переключателя направления вращения **4** определяет направление вращения инструмента, а также используется для блокировки инструмента.

Для установки вращения по часовой стрелке, отпустите курковый пусковой выключатель **3** и нажмите на кнопку переключателя направления вращения на правой стороне инструмента.

Для установки реверсивного направления вращения нажмите на кнопку переключателя направления вращения на левой стороне инструмента.

Центральное положение переключателя направления вращения блокирует инструмент в выключенном положении. При изменении положения переключателя направления вращения курковый пусковой выключатель должен быть отпущен.

ПРИМЕЧАНИЕ: При первом включении инструмента после смены скорости вы можете услышать щелчок в момент запуска. Это нормальное явление и не указывает на неисправность.

Подсветка (Рис. А)

ПРЕДУПРЕЖДЕНИЕ: Не направляйте свет в глаза. Это может привести к серьезным повреждениям

глаз.

Подсветка **7** находится в передней части инструмента. Подсветка включается при нажатии на курковый пусковой выключатель и автоматически выключается через 20 секунд после того, как пусковой выключатель будет отпущен. Рабочая подсветка горит, пока курковый пусковой выключатель остается нажатым.

ПРИМЕЧАНИЕ: Подсветка предназначена для освещения рабочей поверхности и не может использоваться в качестве фонаря.

Режимы работы (Рис. G)

ВНИМАНИЕ: Не меняйте рабочий режим, когда инструмент работает.

ПРЕДУПРЕЖДЕНИЕ: Никогда не включайте режим сверления без удара или режим сверления с ударом, если в патроне установлена насадка-долото. Это может привести к повреждению инструмента и травмам.

Данный инструмент оснащен переключателем режимов работы **5**, позволяющим выбрать нужный для конкретной задачи режим.

Символ	Режим	Применение
	Сверление без удара	Заворачивание Сверление стали, древесины и пластмассы
	Сверление с ударом	Сверление бетона и кирпичной кладки

Выбор режима работы:

1. Поворачивайте переключатель режимов, пока стрелка не укажет на символ, соответствующий выбранному режиму.

ПРИМЕЧАНИЕ: Стрелка на переключателе режимов работы **5** должна всегда указывать на символ режима. Промежуточных положений нет. Для выравнивания передачи может потребоваться запустить на мгновение двигатель, переключившись с режима «долбление только» на режим «сверление без удара».

Выполнение работ (Рис. А, G)

ВНИМАНИЕ: ВО ИЗБЕЖАНИЕ ТРАВМ, ВСЕГДА надежно закрепляйте заготовку. При сверлении тонкого материала используйте деревянную подложку во избежание повреждения материала.

ВНИМАНИЕ: Перед сменой направления вращения всегда дожидайтесь полной остановки электродвигателя.

1. Выбирайте и устанавливайте на инструмент подходящий патрон, переходник и/или насадку. См. раздел «**Насадки и патрон**».
2. При помощи переключателя режимов **5** выберите нужный режим. См. раздел «**Режимы работы**».

3. Отрегулируйте боковую рукоятку 1, если потребуется.
4. Выберите направление вращения с помощью кнопки переключателя направления вращения 4. При изменении положения переключателя направления вращения курковый пусковой выключатель должен быть отпущен.

- Для установки вращения по часовой стрелке нажмите кнопку переключателя направления вращения с правой стороны инструмента.
- Для установки реверсивного направления вращения нажмите кнопку переключателя направления вращения с левой стороны инструмента.

ПРИМЕЧАНИЕ: Центральное положение кнопки переключателя направления вращения блокирует инструмент в выключенном положении.

5. Установите насадку/долото в нужное место.
6. Нажмите на курковый пусковой выключатель 3. Чем сильнее нажат курковый пусковой выключатель, тем выше скорость вращения. Для обеспечения максимального срока службы инструмента, используйте переменную скорость только в начале высверливания отверстий и заворачивания крепежных элементов.
7. Чтобы остановить работу инструмента, отпустите выключатель.

Рекомендации по применению инструмента


- Для высверливания отверстий большого диаметра (от 8 мм до 13 мм) в стальной заготовке рекомендуется сначала делать направляющее отверстие (от 4 мм до 5 мм).
- При сверлении прикладывайте усилие на насадку под прямым углом, но не прикладывайте чрезмерных усилий, чтобы не заглушить электродвигатель или увести насадку в сторону. Наличие умеренного и равномерного потока частиц материала указывает на то, что скорость сверления выбрана правильно.
- При сверлении тонкого материала или материала, подверженного расщеплению, используйте деревянную подложку во избежание повреждения заготовки.

ВНИМАНИЕ:

- Не используйте инструмент для смешивания или нагнетания легко воспламеняемых или взрывчатых жидкостей (бензин, спирт и т. д.).
- Не смешивайте легко воспламеняющиеся жидкости, маркированные соответствующим образом.

ТЕХНИЧЕСКОЕ ОБСЛУЖИВАНИЕ

Электроинструмент имеет длительный срок эксплуатации и требует минимальных затрат на техобслуживание. Для длительной безотказной работы необходимо обеспечить правильный уход за инструментом и его регулярную очистку.

 **ВНИМАНИЕ:** Чтобы снизить риск получения серьезной травмы, необходимо выключить инструмент и отсоединить батарею, прежде чем выполнять какую-либо регулировку либо

удалять/устанавливать какие-либо насадки или дополнительные принадлежности.

Случайный запуск может привести к травме.

Зарядное устройство и аккумуляторные батареи неремонтопригодны.



Смазка

Ваш электроинструмент не требует дополнительной смазки.



Чистка



ВНИМАНИЕ: Выдувайте грязь и пыль из корпуса сухим сжатым воздухом по мере видимого скопления грязи внутри и вокруг вентиляционных отверстий. Выполняйте очистку, надев средство защиты глаз и респиратор утвержденного типа.



ВНИМАНИЕ: Никогда не используйте растворители или другие агрессивные химические средства для очистки неметаллических деталей инструмента. Эти химикаты могут ухудшить свойства материалов, примененных в данных деталях. Используйте ткань, смоченную в воде с мягким мылом. Не допускайте попадания какой-либо жидкости внутрь инструмента; ни в коем случае не погружайте какую-либо часть инструмента в жидкость.

Дополнительные принадлежности



ВНИМАНИЕ: Поскольку принадлежности, отличные от тех, которые предлагает DEWALT, не проходили тесты на данном изделии, то использование этих принадлежностей может привести к опасной ситуации. Во избежание риска получения травмы, с данным продуктом должны использоваться только рекомендованные DEWALT дополнительные принадлежности.

По вопросу приобретения дополнительных принадлежностей обращайтесь к Вашему дилеру.

Система пылеудаления (Рис. F)

Рекомендуется использовать систему пылеудаления, чтобы уменьшить количество потенциально вредной пыли, переносимой по воздуху, и продлить срок службы инструмента и насадок.

Проконсультируйтесь со своим продавцом для получения дополнительной информации о соответствующих системах пылеудаления.

Защита окружающей среды



Отдельная утилизация. Изделия и аккумуляторные батареи с данным символом на маркировке запрещается утилизировать с обычными бытовыми отходами.

Изделия и аккумуляторные батареи содержат материалы, которые могут быть извлечены или переработаны, снижая потребность в исходном сырье. Пожалуйста, утилизируйте электрические изделия и аккумуляторные батареи в соответствии с местными нормами. Дополнительная информация доступна по адресу www.2helpU.com.

Аккумуляторная батарея

Данную аккумуляторную батарею с длительным сроком эксплуатации необходимо перезаряжать, когда она перестает обеспечивать питание, необходимое для выполнения определенных работ. По окончании срока эксплуатации ее следует утилизировать, соблюдая при этом необходимые меры по защите окружающей среды:

- полностью разрядите батарею до конца и извлеките ее из инструмента.
- литий-ионные аккумуляторные батареи подлежат вторичной переработке. Сдайте их нашему дилеру или в местный центр вторичной переработки. В этих пунктах батареи будут подвергнуты повторной переработке или правильной утилизации.

SDS plus® и SDS max® являются зарегистрированными торговыми марками Robert Bosch GmbH

Дополнительная информация:

Дату изготовления (код даты) указан на корпусе инструмента. Код даты, который так же включает год изготовления, отштампован на поверхности корпуса изделия. Пример: 2021 46 XX, где 2021 – год изготовления, 46 – неделя изготовления, XX – код завода изготовителя.

ТОВАР СЕРТИФИЦИРОВАН. Орган по сертификации "РОСТЕСТ- Москва", Адрес: 119049, г. Москва, улица Житная, д. 14, стр. 1; 117418, Москва, Нахимовский просп., 31 (факт.). Тел.: (499) 1292311, (495) 6682893, E-mail: office@rostest.ru
Изготовитель: Изготовитель: Блэк энд Деккер Холдингс ГмбХ, Германия, 65510, Идштайн, ул. Блэк энд Деккер, 40, тел. +496126212790.

Уполномоченное изготовителем юр.лицо: ООО "Стэнли Блэк энд Деккер", 117485, город Москва, улица Обручева, дом 30/1, строение 2, Телефон: + 7 (495) 258-3981, факс: + 7 (495) 258-3984, E-mail: inbox@dewalt.com. Сведения о импортере указаны в сопроводительной документации и/или на упаковке.



Приложение к руководству по эксплуатации электрооборудования для определения месяца производства по номеру текущей календарной недели года

Электрооборудование торговых марок "Dewalt", "Stanley", "Stanley FatMAX", "BLACK+DECKER".

Директивы 2014/30/EU ЕВРОПЕЙСКОГО ПАРЛАМЕНТА И СОВЕТА от 26 февраля 2014 г. "О гармонизации законодательств Государств-членов ЕС в области электромагнитной совместимости", 2006/42/ЕС ЕВРОПЕЙСКОГО ПАРЛАМЕНТА И СОВЕТА от 17 мая 2006 г. "О машинах и оборудовании"; 2014/35/EU ЕВРОПЕЙСКОГО ПАРЛАМЕНТА И СОВЕТА от 26 февраля 2014 г. "О гармонизации законодательств государств-членов в области размещения на рынке электрооборудования, предназначенного для использования в определенных пределах напряжения". Серийный выпуск.

ТОВАР СЕРТИФИЦИРОВАН

Орган по сертификации "РОСТЕСТ- Москва", Адрес: 119049, г. Москва, улица Житная, д. 14, стр. 1; 117418, Москва, Нахимовский просп., 31 (фактический), Телефон: (499) 1292311, (495) 6682893, Факс: (495) 6682893, E-mail: office@rostest.ru
Изготовитель: Изготовитель: Блэк энд Деккер Холдингс ГмбХ, Германия, 65510, Идштайн, ул. Блэк энд Деккер, 40, тел. +496126212790.

Уполномоченное изготовителем юрлицо:

ООО "Стэнли Блэк энд Деккер", 117485, город Москва, улица Обручева, дом 30/1, строение 2
Телефон: + 7 (495) 258-3981, факс: + 7 (495) 258-3984, E-mail: inbox@dewalt.com
Сведения о импортере указаны в сопроводительной документации и/или на упаковке

Хранение.

Необходимо хранить в сухом месте, вдали от источников повышенных температур и воздействия солнечных лучей. При хранении необходимо избегать резкого перепада температур. Хранение без упаковки не допускается

Срок службы.

Срок службы изделия составляет 5 лет. Не рекомендуется к эксплуатации по истечении 5 лет хранения с даты изготовления без предварительной проверки.

Дата изготовления (код даты) указана на корпусе инструмента.

Код даты, который также включает год изготовления, отштампован на поверхности корпуса изделия.

Пример:

2014 46 XX, где 2014 –год изготовления, 46-неделя изготовления.

Определить месяц изготовления по указанной неделе изготовления можно согласно приведенной ниже таблице.

Транспортировка.

Категорически не допускается падение и любые механические воздействия на упаковку при транспортировке.

При разгрузке/погрузке не допускается использование любого вида техники, работающей по принципу зажима упаковки.

Перечень критических отказов, возможные ошибочные действия персонала.

Не допускается эксплуатация изделия:

- При появлении дыма из корпуса изделия
- При поврежденном и/или оголенном сетевом кабеле
- при повреждении корпуса изделия, защитного кожуха, рукоятки
- при попадании жидкости в корпус
- при возникновении сильной вибрации
- при возникновении сильного искрения внутри корпуса

Критерии предельных состояний.

- При поврежденном и/или оголенном сетевом кабеле
- при повреждении корпуса изделия

Месяц	Январь	Февраль	Март	Апрель	Май	Июнь	Июль	Август	Сентябрь	Октябрь	Ноябрь	Декабрь	Год производства
Неделя	1	5	9	14	18	23	27	31	36	40	44	49	2018
	2	6	10	15	19	24	28	32	37	41	45	50	
	3	7	11	16	20	25	29	33	38	42	46	51	
	4	8	12	17	21	26	30	34	39	43	47	52	
Неделя			13		22			35			48		2019
	1	6	10	14	18	23	27	31	36	40	45	49	
	2	7	11	15	19	24	28	32	37	41	46	50	
	3	8	12	16	20	25	29	33	38	42	47	51	
	4	9	13	17	21	26	30	34	39	43	48	52	
Неделя					22			35		44			2020
	1	6	10	14	19	23	27	32	36	40	45	49	
	2	7	11	15	20	24	28	33	37	41	46	50	
	3	8	12	16	21	25	29	34	38	42	47	51	
	4	9	13	17	22	26	30	35	39	43	48	52	
Неделя				18			31			44			2021
	2	6	10	14	19	23	27	32	36	41	45	49	
	3	7	11	15	20	24	28	33	37	42	46	50	
	4	8	12	16	21	25	29	34	38	43	47	51	
	5	9	13	17	22	26	30	35	39	44	48	52	
Неделя				18			31		40			1	2022
	2	6	10	15	19	23	28	32	36	41	45	49	
	3	7	11	16	20	24	29	33	37	42	46	50	
	4	8	12	17	21	25	30	34	38	43	47	51	
	5	9	13	18	22	26	31	35	39	44	48	52	
		14			27			40			1		



ГАРАНТИЙНЫЕ УСЛОВИЯ

Уважаемый покупатель!

1. Поздравляем Вас с покупкой высококачественного изделия DEWALT и выражаем признательность за Ваш выбор.
 2. При покупке изделия требуйте проверки его комплектности и исправности в Вашем присутствии. В комплекте с инструментом должна быть инструкция по эксплуатации и гарантийные условия производителя на русском языке. Сохраняйте на весь срок гарантии Ваш документ, удостоверяющий факт покупки изделия. Убедитесь, что в чеке указаны: фискальный номер чека, модель/наименование изделия, дата продажи и название торговой организации.
 3. Во избежание недоразумений убедительно просим Вас перед началом работы с изделием внимательно ознакомиться с инструкцией по его эксплуатации. Правовой основой настоящих гарантийных условий является действующее Законодательство. Гарантийный срок на данное изделие составляет 36 месяцев и исчисляется со дня продажи. В случае устранения недостатков изделия гарантийный срок продлевается на период его нахождения в ремонте. Срок службы изделия составляет 5 лет со дня продажи.
 4. В случае возникновения каких-либо проблем в процессе эксплуатации изделия рекомендуем Вам обращаться только в уполномоченные сервисные центры DEWALT, адреса и телефоны которых Вы сможете найти на сайте www.2helpU.com или узнать в магазине. Наши сервисные станции это не только квалифицированный ремонт, но и широкий ассортимент запчастей и принадлежностей.
 5. Производитель рекомендует проводить периодическую проверку и техническое обслуживание изделия в уполномоченных сервисных центрах.
 6. Наши гарантийные обязательства распространяются только на неисправности, выявленные в течение гарантийного срока и вызванные дефектами материалов или сборки изделия.
- 7. Гарантийные условия не распространяются на неисправности изделия, возникшие в результате:**
- 7.1. Несоблюдения пользователем предписаний инструкции по эксплуатации изделия, применения изделия не по назначению, неправильном хранении, использования принадлежностей, расходных материалов и запчастей, не предусмотренных производителем.

- 7.2. Механического повреждения (сколы, трещины и разрушения) внутренних и внешних деталей изделия, основных и вспомогательных рукояток, сетевого электрического кабеля, вызванного внешним ударным или любым иным воздействием.
- 7.3. Попадания в вентиляционные отверстия и проникновение внутрь изделия посторонних предметов, материалов или веществ, не являющихся отходами, сопровождающими применение изделия по назначению, такими как: стружка, опилки, песок, и пр.
- 7.4. Воздействий на изделие неблагоприятных атмосферных и иных внешних факторов, таких как дождь, снег, повышенная влажность, нагрев, агрессивные среды, несоответствие параметров питающей электросети, указанных на инструменте.
- 7.5. Стихийного бедствия. Повреждение или утрата изделия, связанное с непредвиденными бедствиями, стихийными явлениями, в том числе вследствие действия непреодолимой силы (пожар, молния, потоп и другие природные явления), а также вследствие перепадов напряжения в электросети и другими причинами, которые находятся вне контроля производителя.

8. Гарантийные условия не распространяются:

- 8.1. На инструменты, подвергавшиеся вскрытию, ремонту или модификации вне уполномоченного сервисного центра.
- 8.2. На детали и узлы, имеющие следы естественного износа, такие как: приводные ремни и колеса, угольные щетки, смазка, подшипники, зубчатое зацепление редукторов, резиновые уплотнения, сальники, направляющие ролики, муфты сцепления, бойки, толкатели, стволы, и т.п.
- 8.3. На сменные и расходные части: цанги, зажимные гайки и фланцы, филтеры, ножи, шлифовальные подошвы, цепи, звездочки, пыльные шины, защитные кожухи, пилки, абразивы, пыльные и абразивные диски, фрезы, сверла, буры и т.п.
- 8.4. На неисправности, возникшие в результате перегрузки инструмента (как механической, так и электрической), повлекшей выход из строя одновременно двух и более деталей и узлов, таких как ротора и статора, обоих обмоток статора, ведомой и ведущей шестерни редуктора или других узлов и деталей. К безусловным признакам перегрузки изделия относятся, помимо прочего: появление цветов побежалости, деформация или оплавление деталей и узлов изделия, потемнение или обугливание изоляции проводов электродвигателя под воздействием высокой температуры.



**ОБЯЗАТЕЛЬНО СОХРАНЯЙТЕ
КАССОВЫЙ ЧЕК**

Актуальную информацию об обслуживании
в интересующем вас городе вы можете узнать на сайте
service.dewalt.ru

27-03-2021



Список авторизованных сервисных центров | Удобный поиск ближайшего сервисного центра | Руководство по эксплуатации
 Технические характеристики | Список деталей и запасных частей | Схема сборки инструмента



Также данную информацию вы можете получить, позвонив по телефону:

8-800-1000-876

Отметки о проведении сервисного обслуживания

№1	№2	№3	№4
№ заказа	№ заказа	№ заказа	№ заказа
Дата поступления	Дата поступления	Дата поступления	Дата поступления
Дата ремонта	Дата ремонта	Дата ремонта	Дата ремонта
Печать и подпись сервисного центра	Печать и подпись сервисного центра	Печать и подпись сервисного центра	Печать и подпись сервисного центра



ГАРАНТИЙНОЕ ОБСЛУЖИВАНИЕ

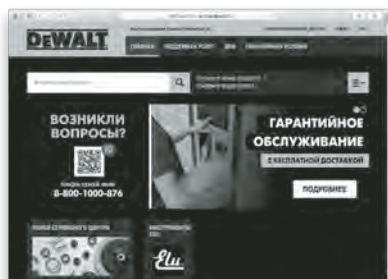
С БЕСПЛАТНОЙ ДОСТАВКОЙ

ТЕПЕРЬ ВЫ МОЖЕТЕ СДАТЬ ИНСТРУМЕНТ В СЕРВИС, ДАЖЕ ЕСЛИ ЕГО НЕТ В ВАШЕМ ГОРОДЕ

КАК ВОСПОЛЬЗОВАТЬСЯ УСЛУГОЙ

Скачать/распечатать
инструкцию
с сайта

service.dewalt.ru



телефон горячей линии

8-800-1000-876



ПОДАРОК ЗА ОТЗЫВ*

- 1 Зарегистрируйся на my.dewalt.ru
- 2 Напиши отзыв о покупке
- 3 Получи фирменную кепку



*Акция проводится на территории Российской Федерации, подробные условия акции указаны на my.dewalt.ru

телефон горячей линии

8-800-1000-876

ПЕРФОРАТОР SDS PLUS® ДЛЯ РОБОТИ В ВАЖКИХ УМОВАХ

DCH172

Вітаємо вас!

Ви обрали інструмент виробництва компанії DeWALT. Ретельна розробка продукції, багаторічний досвід фірми у виробництві інструментів, різні вдосконалення, все це зробило інструменти DeWALT є одними із найнадійніших помічників для тих, хто використовує електричні інструменти у своїй професії.

Технічні дані

		DCH172
Напруга	$V_{\text{ном. струму}}$	18
Тип		1
Тип батареї		Літій-іонна
Макс. вихідна потужність	Вт	650
Швидкість без навантаження	об/хв	0-1060
Ударів за хв. без навантаження	уд/хв	4980
Одиниця ударної енергії (EPTA 05/2009)	J	1,4
Оптимальний діапазон свердління	мм	4-10
Максимальний діаметр для бетону	мм	16
Тримач насадок		SDS plus®
Маса (без акумулятора)	кг	1,8

Значення рівня шуму та вібрації (сума трьох векторів) відповідно до стандарту EN60745-2-6:

L_{PA} (рівень тиску звукового випромінювання)	дБ(A)	87
L_{WA} (рівень звукової потужності)	дБ(A)	98
K (похибка для даного рівня звукового тиску)	дБ(A)	4

Свердління бетону		
Значення вібрації $aH, HD=$	m/s^2	8,8
Похибка K =	m/s^2	1,5

Свердління металу		
Значення вібрації $aH, D=$	m/s^2	$\leq 2,5$
Похибка K =	m/s^2	1,5

Використання викрутки		
Значення вібрації =	m/s^2	$\leq 2,5$
Похибка K =	m/s^2	1,5

Значення вібрації та/або шуму, наведене в цьому документі, було виміряне згідно зі стандартизованим тестом, викладеним в EN60745 та може використовуватись для порівняння інструментів. Це значення вібрації можна також використовувати для попередньої оцінки впливу вібрації.

⚠ ПОПЕРЕДЖЕННЯ: Заявлене значення вібрації та/або шуму відповідає вимогам цільового використання інструмента. Однак якщо інструмент використовується для виконання інших завдань, або

з іншими витратними матеріалами/насадками, або не обслуговується належним чином, значення вібрації та/або шуму може відхилитися. Це може значно збільшити рівень впливу протягом усього періоду роботи.

Оцінка рівня впливу вібрації та/або шуму має враховувати час, протягом якого інструмент є вимкненим, а також час, протягом якого він є ввімкненим, але не використовується. Це може значно зменшити рівень впливу протягом усього періоду роботи.

Визначення додаткових заходів безпеки для захисту оператора від впливу вібрації та/або шуму: технічне обслуговування інструмента та приладдя, утримання рук у теплі (має значення для вібрації), організація режиму роботи.

Декларація про відповідність ЄС ДИРЕКТИВА ДЛЯ МЕХАНІЧНОГО ОБЛАДНАННЯ



бездротовий трирежимний перфोरатор SDS MAX для роботи у важких умовах DCH172

Компанія DeWALT заявляє, що ці продукти, описані у розділі «Технічні дані» відповідають:

2006/42/EC, EN60745-1:2009+A11:2010, EN60745-2-6:2010.

Ці продукти також відповідають вимогам Директив 2014/30/EU та 2011/65/EU. Для отримання додаткової інформації, будь ласка, зверніться до компанії DeWALT за наступною адресою або прочитайте інформацію на зворотній стороні цього керівництва.

Нижчепідписаний несе відповідальність за упорядкування файлу технічних характеристик та робить цю заяву від компанії DeWALT.

Маркус Ромпель (Markus Rompel)
технічний директор, PTE-Europa
DeWALT, Richard-Klinger-Strasse 11,
D-65510, Idstein, Німеччина
22.01.2021



ПОПЕРЕДЖЕННЯ: Уважно прочитайте керівництво з експлуатації для зниження ризику отримання травми.

Батареї				Зарядні пристрої/час зарядки (у хвилинали)									
Кат. №	V _{DC}	Ah	Маса (kg)	DCB104	DCB107	DCB112	DCB113	DCB115	DCB116	DCB117	DCB118	DCB132	DCB119
DCB546	18/54	6,0/2,0	1,08	60	270	170	140	90	80	40	60	90	X
DCB547	18/54	9,0/3,0	1,46	75*	420	270	220	135*	110*	60	75*	135*	X
DCB548	18/54	12,0/4,0	1,46	120	540	350	300	180	150	80	120	180	X
DCB181	18	1,5	0,35	22	70	45	35	22	22	22	22	22	45
DCB182	18	4,0	0,61	60/40**	185	120	100	60	60/45**	60/40**	60/40**	60	120
DCB183/B/G	18	2,0	0,40	30	90	60	50	30	30	30	30	30	60
DCB184/B/G	18	5,0	0,62	75/50**	240	150	120	75	75/60**	75/50**	75/50**	75	150
DCB185	18	1,3	0,35	22	60	40	30	22	22	22	22	22	40
DCB187	18	3,0	0,54	45	140	90	70	45	45	45	45	45	90
DCB189	18	4,0	0,54	60	185	120	100	60	60	60	60	60	120

*Код дати 201811475В або пізніше

**Код дати 201536 або пізніше

Позначення: інструкції з техніки безпеки

Умовні позначення, наведені нижче, описують рівень важливості кожної попереджувальної вказівки. Прочитайте керівництво за експлуатації та зверніть увагу на символи, наведені нижче.



НЕБЕЗПЕЧНО: Указує на безпосередню загрозу, яка, якщо її не уникнути, призведе до смерті або серйозної травми.



ПОПЕРЕДЖЕННЯ: Вказує на потенційну загрозу, ігнорування якої може призвести до смерті або серйозної травми.



УВАГА: Вказує на потенційну загрозу, ігнорування якої може призвести до травми легкої або середньої тяжкості.

ПРИМІТКА: Вказує на ситуацію, не пов'язану з особистою травмою, ігнорування цієї ситуації може призвести до пошкодження майна.



Вказує на ризик ураження електричним струмом.



Вказує на ризик виникнення пожежі.

ЗАГАЛЬНІ ПРАВИЛА БЕЗПЕКИ ПРИ ЕКСПЛУАТАЦІЇ ЕЛЕКТРИЧНОГО ІНСТРУМЕНТА



ПОПЕРЕДЖЕННЯ: Ознайомтеся з усіма попередженнями, інструкціями з техніки безпеки, зображеннями та специфікаціями, які поставляються з даним електричним інструментом. Невиконання нижченаведених інструкцій може призвести до ураження електричним струмом, пожежі та/або серйозних тілесних ушкоджень.

ЗБЕРІГАЙТЕ ВСІ ПОПЕРЕДЖЕННЯ ТА ІНСТРУКЦІЇ ДЛЯ ПОДАЛЬШОГО ВИКОРИСТАННЯ

Термін «електричний інструмент» в усіх попередженнях стосується використовуваних вами інструментів, що

живляться від мережі енергопостачання (з електричним кабелем) або від акумуляторів (без кабелю).

1) Безпека робочої зони

- Робоча зона завжди має бути чистою та добре освітленою. Захаращена або темна робоча зона призводить до нещасних випадків.
- Не використовуйте електричні інструменти у вибухонебезпечній атмосфері, наприклад поруч із вогненебезпечними рідинами, газами та пилом. Електричні інструменти створюють іскри, що можуть запалити пил або пару.
- Тримайте дітей та сторонніх подалі під час використання інструмента. Відвернення уваги може призвести до втрати контролю.

2) Електрична безпека

- Вилка електричного інструмента повинна відповідати розетці. Ніколи жодним чином не змінюйте вилку. Не використовуйте адаптери з замкнутими на землю (заземленими) електричними інструментами. Немодифіковані вилки та розетки, що підходять до них, зменшують ризик ураження електричним струмом.
- Уникайте контакту тіла з заземленими поверхнями, такими як труби, радіатори, плити та холодильники. Якщо ваше тіло заземлене, збільшується ризик ураження електричним струмом.
- Не залишайте електричні інструменти під дощем або в умовах підвищеної вологості. Вода, що потрапляє в електричний інструмент, підвищує ризик ураження електричним струмом.
- Не використовуйте кабель живлення не за призначенням. Ніколи не переносьте, не тягніть та не відключайте електричний інструмент від розетки живлення за допомогою шнура. Тримайте шнур подалі від високих температур, масла, гострих предметів та рухомих деталей. Пошкоджені або перекручені шнури підвищують ризик ураження електричним струмом.

- e) При використанні електричного інструмента на вулиці, використовуйте подовжувальний шнур, що підходить для використання на вулиці. Використання шнура, що призначений для використання поза приміщенням, знижує ризик ураження електричним струмом.
- f) Якщо неможливо уникнути використання електричного інструмента в умовах підвищеної вологості, використовуйте живлення, захищене пристроєм залишкового струму (RCD). Використання RCD знижує ризик ураження електричним струмом.

3) Особиста безпека

- a) Будьте в стані готовності, дивіться, що ви робите, та будьте розсудливі, працюючи з електричним інструментом. Не використовуйте електричний інструмент, коли ви втомлені або знаходитесь під впливом наркотичних речовин, алкоголю або ліків. Втрата уваги під час роботи з електричним інструментами може призвести до серйозних травм.
- b) Використовуйте особисті засоби безпеки. Завжди використовуйте засоби захисту очей. Засоби безпеки, такі як протипилова маска, неслизькі безпечні черевки, захисний шолом та засоби захисту слухового апарату при використанні для відповідних умов зменшують імовірність особистих травм.
- c) Уникайте випадкового запуску. Переконайтесь в тому, що вимикач знаходиться в позиції Вимк., перш ніж підключати інструмент до джерела живлення та/або акумулятора, переміщувати або переносити. Може статися нещасний випадок, коли ви переносите інструмент, тримаючи палець на вимикачі, або підключаєте живлення до вимикача в позиції Увімк.
- d) Зніміть усі ключі для регулювання або гайкові ключі, перш ніж вмикати електричний інструмент. Гайковий ключ, що залишився прикріпленим до якоїсь деталі електричного пристрою, що обертається, може призвести до травм.
- e) Не прикладайте надмірних зусиль. Завжди утримуйте правильну постановку ніг і рівновагу. Це дає вам змогу краще контролювати інструмент в неочікуваних ситуаціях.
- f) Одягайтеся відповідним чином. Не вдягайте вільний одяг або прикраси. Тримайте ваше волосся та одяг подалі від рухомих деталей. Вільний одяг, прикраси або довге волосся можуть зачепитися за рухомі деталі.
- g) Якщо передбачені пристрої для підключення до засобів виділення та збирання пилу, переконайтесь, що вони правильно підключені та використовуються. Використання таких пристроїв зменшує ризик виникнення небезпечних ситуацій, що пов'язані з потраплянням пилу.

- h) Навіть якщо ви добре знаєте інструмент та часто його використовуєте, не розслабляйтесь та не забувайте про принципи техніки безпеки. Необережні дії можуть за долю секунди призвести до важких тілесних ушкоджень.
- ### 4) Використання електричного інструмента та догляд за ним

- a) Не прикладайте надмірних зусиль під час роботи з інструментом. Використовуйте електричний інструмент, який відповідає завданню, що виконується. Правильно обраний інструмент виконає завдання краще та безпечніше за умов, для яких він був розроблений.
- b) Не використовуйте інструмент, якщо його неможливо ввімкнути та вимкнути за допомогою вимикача. Будь-який електричний інструмент, яким неможливо керувати за допомогою вимикача, є небезпечним і має бути відремонтований.
- c) Якщо вилка знімна, відключіть її від джерела живлення та/або вийміть акумулятор, перш ніж виконувати будь-які налаштування, змінювати додаткове обладнання або зберігати інструмент. Ці профілактичні заходи зменшують ризик випадкового запуску електричного інструмента.
- d) Зберігайте вимкнені електричні інструменти в недоступному для дитячої місці та не дозволяйте особам, що не знайомі з електричним інструментом або цими інструкціями, використовувати електричний інструмент. Електричні інструменти є небезпечними, якщо вони використовуються некваліфікованими користувачами.
- e) Технічне обслуговування електричних інструментів та приладдя. Перевіряйте неспіввісність, заїдання рухомих деталей, наявність пошкоджених частин та інших факторів, які можуть впливати на роботу електричного інструмента. Якщо є пошкодження, відремонтуйте електричний інструмент перед використанням. Нещасні випадки часто є результатом того, що інструмент не пройшов відповідного технічного обслуговування.
- f) Різальні інструменти мають бути гострими та чистими. Правильно доглянуті різальні інструменти з гострими різальними кромками мають меншу імовірність заїдання, та ними легше керувати.
- g) Використовуйте електричний інструмент, додаткові інструменти та деталі інструменту тощо у відповідності до цих інструкцій та відповідно до даного типу електричних інструментів, зважаючи на умови використання та роботу, яка має бути виконана. Використання електричних інструментів не за призначенням може призвести до виникнення небезпечних ситуацій.

h) **Всі ручки та поверхні для тримання інструмента мають бути сухими, без залишків мастила.** Слизькі ручки та поверхні для тримання не дозволяють безпечно працювати та контролювати інструмент у неочікуваних ситуаціях.

5) Використання та догляд за інструментом, що живиться від акумулятора

- Заряджайте інструмент лише за допомогою зарядного пристрою, вказаного виробником.** Зарядний пристрій, що підходить до одного типу акумуляторів, може призвести до пожежі в разі використання з іншим акумулятором.
- Використовуйте електричні інструменти лише з призначеними для них акумуляторами.** Використання інших акумуляторів може призвести до травм або пожежі.
- Коли акумулятори не використовуються, зберігайте їх подалі від металевих предметів, як скріпки, монети, ключі, цвяхи, гвинти або інші невеликі предмети, що можуть призвести до замикання двох контактів.** Коротке замикання клем акумулятора може призвести до вибуху або пожежі.
- За невідповідних умов використання рідина може витікати з акумулятора; уникайте контакту з цією рідиною.** Якщо контакт таки стався, промийте забруднену ділянку водою. Якщо рідина потрапила в очі, промийте водою та зверніться до лікаря. Рідина, що витікає з акумулятора, може призвести до подразнень та опіків.
- Не використовуйте пошкоджений або модифікований акумулятор або інструмент.** Пошкоджені або модифіковані акумулятори можуть поводити себе непередбачуваним чином, призводячи до пожежі, вибуху або тілесним ушкодженням.
- Не піддавайте акумулятор та інструмент дії вогню та надмірних температур.** Дія вогню або температури вище 130 °C може спричинити вибух.
- Виконуйте всі інструкції щодо зарядки; заряджайте акумулятор та інструмент тільки в межах температурного діапазону, вказаного в інструкціях.** Неналежна зарядка або зарядка поза межами вказаного температурного діапазону може пошкодити акумулятор та підвищити ризик пожежі.

6) Обслуговування

- Надавайте ваш електричний інструмент для обслуговування кваліфікованим спеціалістом з ремонту та використовуйте тільки ідентичні замініні деталі.** Це забезпечить безпеку електричного пристрою.
- Ніколи не обслуговуйте пошкоджені акумулятори самостійно.** Обслуговування акумуляторів мають виконувати представники

виробника або працівники офіційного сервісного центру.

Додаткові правила з техніки безпеки для роторних перфтораторів

- Використовуйте засоби захисту слуху.** Шум може викликати втрату слуху.
- Використовуйте додаткову ручку (ручки), якщо вона надається з інструментом.** Втрата контролю над інструментом може викликати травми.
- Тримайте інструмент за ізольовану поверхню при виконанні операцій, коли ріжучі аксесуари можуть торкнутися схованої проводки.** Ріжучі елементи при контакті з дротом під напругою може призвести до появи напруги в інструменті та ураження оператора електричним струмом.
- При довбанні переконайтеся у відсутності прихованої електропроводки або труб газозопастачання, а також у тому, що їх розташування було уточнено в компанії комунального обслуговування.**
- Використовуйте затискачі або інший спосіб закріплення деталі, що обробляється, на стабільній платформі.** Утримування заготовки в руці та притискання її до тіла робить її нестабільною та може призвести до втрати контролю.
- Використовуйте захисні окуляри або інші засоби захисту очей.** Під час використання перфторатора може відлітати стружка. Частинки, що розлітаються, можуть спричинити незворотне пошкодження очей. Використовуйте протипилову маску або респіратор для виконання завдань з утворенням пилу. Для більшості робіт вимагаються засоби захисту органів слуху.
- Постійно міцно тримайте інструмент. Не намагайтесь використовувати інструмент, тримаючи його лише однією рукою.** Рекомендовано постійно використовувати бокову ручку. Робота з інструментом, тримаючи його однією рукою, може призвести до втрати контролю. Пробивання або контакт з твердими матеріалами, наприклад, арматурним стрижнем, також може нести небезпеку. Перед використанням надійно затягніть бокову ручку.
- Не використовуйте інструмент тривалий час.** Вібрація, спричинена перфторатором, може бути шкідливою для ваших рук. Використовуйте рукавиці для захисту та обмежуйте вплив вібрації, роблячи часті перерви.
- Не ремонтуйте насадки самостійно.** Ремонт насадок повинен виконуватися авторизованим спеціалістом з ремонту. Неправильно відремонтоване долото може спричинити травму.
- Використовуйте рукавиці при роботі з інструментом або зміні насадок.** Доступні металеві деталі інструмента та насадки можуть бути дуже

гарячими під час роботи. Невеликі уламки матеріалів можуть травмувати незахищені руки.

- **Ніколи не кладіть інструмент, доки насадка повністю не зупиниться.** Рухомі насадки можуть спричинити травму.
- **Не вибивайте затиснені насадки молотком, щоб їх вивільнити.** Уламки металу або стружка можуть також відлітати і спричинити травми.
- **Дещо зношене долото можна заточити за допомогою шліфування.**
- **Не перегрівайте долото (знебарвлення) при заточенні нової кромки.** Сильно зношені долота необхідно перековувати. Не піддавайте долото повторному затвердінню і загартуванню.

Залишкові ризики

Наступні ризики можуть залишитися при використанні роторних перфораторів:

- травми через контакт з деталями, що обертаються, або гарячими деталями інструменту.

Дотримання всіх правил техніки безпеки та застосування пристроїв безпеки не гарантує уникнення певних залишкових ризиків. До такого переліку належать:


- Порушення слуху.
- Ризик затиснення пальців при заміні насадок.
- Небезпека для здоров'я через вдихання пилу, що утворюється при свердлінні бетону та/або кладки.
- Ризик тілесних ушкоджень через частинки, які розлітаються.
- Ризик опіків через нагрівання приладдя під час роботи.
- Ризик тілесних ушкоджень через занадто тривале використання.

Зарядні пристрої

DeWALT не вимагають налаштувань і розроблені для максимально простого використання.

Електрична безпека

Електричний двигун розроблений для роботи лише з одним значенням напруги. Завжди перевіряйте, що напруга акумулятора відповідає напрузі, що вказана в технічних даних. Також переконайтесь, що напруга зарядного пристрою відповідає напрузі мережі живлення.

 Ваш DeWALT Ваш зарядний пристрій виробництва компанії DeWALT має подвійну ізоляцію відповідно до EN60335; тому заземлення не є необхідним.

Якщо кабель живлення пошкоджений, його необхідно замінити на спеціальний кабель, який можна замовити в офіційних сервісних центрах DeWALT. організація обслуговування.

Використання електричного подовжувача

Використовуйте подовжувальний шнур лише за абсолютної необхідності. Використовуйте лише рекомендований подовжувальний шнур, що відповідає споживаній

потужності вашого зарядного пристрою (див. **Технічні дані**). Мінімальний розмір січення провідника становить 1 мм²; максимальна довжина — 30 м.

При використанні кабельного барабану завжди витягуйте весь кабель.

Важливі інструкції з техніки безпеки для всіх зарядних пристроїв

ЗБЕРІГАЙТЕ ЦІ ІНСТРУКЦІЇ: У цьому керівництві містяться важливі інструкції з техніки безпеки та використання для сумісних зарядних пристроїв (див. «Технічні дані»).

- **Перед використанням зарядного пристрою прочитайте всі інструкції та попередження на зарядному пристрої, акумуляторах та продукті, для якого ці акумулятори використовуються.**



ПОПЕРЕДЖЕННЯ: Небезпека ураження електричним струмом. Не допускайте потрапляння рідини в зарядний пристрій. Це може призвести до ураження електричним струмом.



ПОПЕРЕДЖЕННЯ: Ми рекомендуємо використовувати пристрій з керуванням диференційним струмом з номінальним значенням диференційного струму 30 мА або менше.



УВАГА: Небезпека опіку. Для зниження ризику виникнення травм заряджайте лише акумулятори DeWALT. акумуляторні батареї. Інші типи акумуляторів можуть вибухнути, спричинивши тілесні ушкодження та пошкодження майна.



УВАГА: Уважно слідкуйте за тим, щоб діти не гралися з пристроєм.

ПРИМІТКА: За певних умов, коли зарядний пристрій підключений до мережі живлення, незахищені контакти всередині зарядного пристрою можуть замкнутися будь-яким стороннім предметом. Сторонні предмети, що проводять струм, наприклад металева стружка, алюмінієва фольга або будь-які металеві деталі, необхідно зберігати подалі від зарядного пристрою. Завжди відключайте зарядний пристрій від розетки, коли батарея не встановлена в зарядний пристрій. Відключіть зарядний пристрій від мережі живлення перед його очищенням

- **НЕ намагайтеся заряджати акумулятор зарядними пристроями, що не вказані в цьому керівництві.** Зарядний пристрій та акумулятори даної моделі розроблені для сумісної експлуатації.
- **Ці зарядні пристрої не призначені ні для чого іншого, крім зарядки акумуляторів DeWALT акумуляторні батареї.** Використання з іншими акумуляторами може призвести до виникнення пожежі або ураження електричним струмом.
- **Не піддавайте зарядний пристрій впливу дощу або снігу.**
- **При відключенні зарядного пристрою від мережі живлення тягніть за вилку, а не за кабель.** Це зменшить ризик пошкодження вилки та кабелю.

- **Переконайтесь, що кабель розміщений так, щоб на нього не наступали, не ходили по ньому та не піддавали його іншим фізичним впливам.**
- **Не використовуйте подовжувальний шнур окрім випадків, коли це абсолютно необхідно.** Використання невідповідних подовжувальних шнурів може призвести до пожежі або ураження електричним струмом.
- **Не кладіть будь-які предмети на зарядний пристрій та не залишайте зарядний пристрій на м'якій поверхні, що може заблокувати вентиляційні отвори та призвести до надмірного нагрівання.** Розташуйте зарядний пристрій подалі від джерел тепла. Зарядний пристрій вентилюється крізь отвори у верхній та нижній частинах корпусу.
- **Не використовуйте зарядний пристрій із пошкодженим кабелем або вилкою — їх потрібно негайно замінити.**
- **Не використовуйте зарядний пристрій, якщо той отримав різкий удар, впаав або був пошкоджений іншим чином.** Віднесіть його до авторизованого сервісного центру.
- **Якщо зарядний пристрій вимагає технічного обслуговування або ремонту, не розбирайте його самотужки, а віднесіть до авторизованого сервісного центру.** Невідповідні способи використання можуть призвести до виникнення пожежі або ураження електричним струмом.
- Якщо кабель живлення пошкоджено, для уникнення небезпеки його необхідно негайно замінити, звернувшись до виробника, спеціаліста сервісного центру або іншого кваліфікованого спеціаліста.
- **Відключайте зарядний пристрій від розетки перед його очищенням. Це дозволяє знизити ризик ураження електричним струмом.** Відключення акумулятора не знижує ризик.
- **НІКОЛИ не намагайтесь з'єднати два зарядні пристрої.**
- **Цей зарядний пристрій розрахований на роботу зі стандартною напругою побутової електромережі 230 В. Не намагайтесь використовувати його з іншою напругою. Це не стосується автомобільних зарядних пристроїв.**

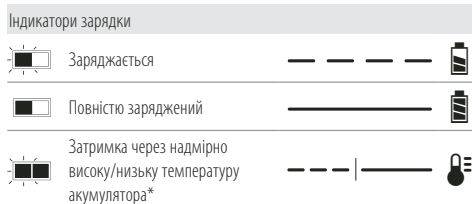
Зарядка акумулятора (Рис. [Fig.] B)

1. Підключіть зарядний пристрій до відповідної розетки перед встановленням акумулятора.
2. Вставте акумулятор **8** у зарядний пристрій до упору. Червоний індикатор («зарядка») буде блимати, вказуючи на початок процесу зарядки.
3. Коли зарядку завершено, червоний індикатор горить, не блимаючи. Це означає, що акумулятор повністю заряджений та може використовуватися одразу або залишатися в зарядному пристрої. Щоб витягнути акумулятор із зарядного пристрою, натисніть кнопку деблокування **9** на акумуляторі.

ПРИМІТКА: щоб забезпечити максимальну продуктивність та тривалість роботи літій-іонного акумулятора, повністю зарядіть його перед першим використанням.

Робота зарядного пристрою

Нижче описані індикатори стану зарядки акумулятора.



*Червоний індикатор буде продовжувати миготіти, а жовтий індикатор буде горіти під час виконання цього завдання. Коли акумулятор досягне прийнятної температури, жовтий індикатор згасне, а зарядний пристрій відновить процес зарядки.

Сумісний зарядний пристрій не буде заряджати несправний акумулятор. Зарядний пристрій розпізнає несправну батарею та не ввімкне світловий індикатор.

ПРИМІТКА: Це також може свідчити про проблему з зарядним пристроєм.

Якщо виявлено проблему із зарядним пристроєм, віднесіть зарядний пристрій та акумулятор для перевірки в авторизований сервісний центр.

Затримка через надмірно високу/низьку температуру акумулятора

Якщо зарядний пристрій визначає, що акумулятор є надмірно гарячим або холодним, він автоматично вмикає режим температурної затримки, припиняючи процес зарядки, доки акумулятор не досягне відповідної температури. Після досягнення прийнятної температури зарядний пристрій автоматично перемикається в режим зарядки акумулятора. Ця функція забезпечує максимальний термін служби акумулятора.

Холодний акумулятор буде заряджатися повільніше порівняно з теплим акумулятором. Такий акумулятор буде заряджатися повільніше протягом всього циклу зарядки та не повернеться до максимального значення зарядки, навіть якщо нагріється.

Зарядний пристрій DCB118 оснащений внутрішнім вентилятором, призначеним для охолодження акумулятора. Вентилятор автоматично вмикається, коли акумулятор потребує охолодження. Ніколи не використовуйте зарядний пристрій, якщо вентилятор працює неналежним чином або вентиляційні отвори заблоковані. Уникайте потрапляння сторонніх предметів усередину зарядного пристрою.

Електронна система захисту

Інструменти з літій-іонними акумуляторами XR розроблені з використанням електронної системи захисту, яка захищає акумулятор від перевантаження, перегрівання або глибокої розрядки.

Пристрій автоматично вимикається, якщо спрацює електронна система захисту. Якщо це сталося, встановіть літій-іонний акумулятор в зарядний пристрій до повної зарядки.

Кріплення на стіну

Ці зарядні пристрої можна закріпити на стіні, чи поставити на стіл або іншу робочу поверхню. При кріпленні на стіну розташуйте зарядний пристрій недалеко від електричної розетки, а також подалі від кутів та інших перешкод, що заважають повітряному потоку. Скористайтесь задньою частиною зарядного пристрою в якості шаблону для розташування кріпильних гвинтів на стіні. Надійно зафіксуйте зарядний пристрій за допомогою шурупів (потрібно придбати окремо) довжиною приблизно 25,4 мм з голівкою діаметром 7–9 мм, що закручуються в дерев'яну поверхню до оптимальної глибини, щоб залишилося приблизно 5,5 мм. Вирівняйте отвори на задній поверхні зарядного пристрою з виступаючими шурупами, після чого повністю вставте шурупи в отвори.

Інструкції з очищення зарядного пристрою

⚠ ПОПЕРЕДЖЕННЯ: Небезпека ураження електричним струмом. Відключіть зарядний пристрій від розетки змінного струму перед його очищенням. Бруд та жир можна видалити з поверхні зарядного пристрою за допомогою ганчірки або м'якої неметалевої щітки. Не використовуйте воду та мийні розчини. Не дозволяйте рідині потрапляти всередину інструмента та ніколи не занурюйте деталі інструмента в рідину.

Акумулятор

Важливі інструкції з техніки безпеки для різних типів акумуляторів

При замовленні змінних акумуляторів не забудьте вказати номер за каталогом та напругу.

Новий акумулятор заряджений не повністю. Перед використанням акумулятора та зарядного пристрою прочитайте всі нижче наведені інструкції з техніки безпеки. Після цього виконайте всі вказані пункти процедури зарядки.

ПРОЧИТАЙТЕ ВСІ ІНСТРУКЦІЇ

- **Не заряджайте та не використовуйте акумулятор у вибухонебезпечних умовах, наприклад в присутності легкозаймистих рідин, газів або пилу.** Під час встановлення або виймання батареї з зарядного пристрою може спалахнути пил або пара.
- **На прикладі зусилля, вставляючи акумулятор в зарядний пристрій. Жодним чином не модифікуйте акумулятор, аби встановити його в несумісний зарядний пристрій, адже акумулятор може розірватися та спричинити серйозні травми.**
- Використовуйте тільки зарядні пристрої DeWALT для заряджання акумуляторів.

- **НЕ занурюйте акумулятор у воду та інші рідини та не бризкайте на нього.**
- **Не зберігайте та не використовуйте інструмент та акумулятор у місцях, де температура може сягати або перевищувати 40 °C (104 °F) (наприклад, біля гаражів або металевих будівель влітку).**
- **Не спалюйте акумулятор, навіть якщо він сильно пошкоджений або повністю зношений.** Акумулятор може вибухнути у вогні. Коли літій-іонні акумулятори горять, утворюються токсичні випаровування та речовини.
- **Якщо вміст акумулятора потрапив на шкіру, негайно промийте це місце м'яким милом та водою.** Якщо рідина з акумулятора потрапила в очі, промийте відкрите око протягом 15 хвилин або доки подразнення не зникне. Якщо необхідно звернутися до лікаря, акумуляторний електроліт складається з суміші рідких органічних вуглекислих солей та солей літію.
- **Вміст відкритого акумулятора може спричинити подразнення дихальних шляхів.** Вийдіть на свіже повітря. Якщо симптоми не зникають, зверніться до лікаря.

⚠ ПОПЕРЕДЖЕННЯ: Небезпека опіку. Рідина з акумулятора може спалахнути, якщо на неї потрапить іскра або полум'я.

⚠ ПОПЕРЕДЖЕННЯ: За жодних умов не намагайтесь відкрити акумулятор. За будь-якого пошкодження акумулятора не встановлюйте його у зарядний пристрій. Не бийте, не кидайте та не пошкоджуйте акумулятор. Не використовуйте акумулятор та зарядний пристрій, якщо ті отримали різкий удар, впали або були пошкоджені іншим чином (наприклад, були проколоті цвяхом, вдарені молотком, на них наступили). Це може призвести до ураження електричним струмом. Пошкоджені акумулятори необхідно повернути до сервісного центру ля переробки.

⚠ ПОПЕРЕДЖЕННЯ: Небезпека виникнення пожежі. Зберігайте та переносьте акумулятор так, щоб металеві предмети не торкалися його відкритих контактів. Наприклад, не кладіть акумулятор у фартух, кишені, ящики з інструментами, коробки з наборами приладдя, шухляди тощо, де можуть бути цвяхи, гвинти, ключі тощо.

⚠ УВАГА: Коли інструмент не використовується, залишайте його на боці на стабільній поверхні в такому місці, де через нього не можна перецепитися та впасти. Деякі інструменти з великими акумуляторами можуть стояти на батареї, але їх можна легко перекинути.

Транспортування

⚠ ПОПЕРЕДЖЕННЯ: Небезпека виникнення пожежі. Під час перевезення акумуляторів може виникнути пожежа, якщо контакти акумулятора

випадково ввійдуть в контакт з електропровідним матеріалом. Під час перевезення акумуляторів переконайтесь, що їхні контакти захищені та добре ізольовані від матеріалів, які можуть увійти з ними в контакт та виклатати коротке замикання.

ПРИМІТКА: При перевезенні літій-іонних акумуляторів не можна здавати їх в багаж.

Акумулятори DEWALT відповідають всім нормам перевезення, описаним у галузевих та законодавчих положеннях, включно з рекомендаціями ООН про перевезення небезпечних вантажів, правилами перевезення небезпечних вантажів Міжнародної організації повітряного транспорту (IATA), міжнародними правилами перевезення небезпечних вантажів водним транспортом (IMDG) та Європейській угоді про міжнародне дорожнє перевезення небезпечних вантажів (ADR). Літій-іонні елементи живлення та акумулятори були перевірені відповідно до розділу 38.3 керівництва з тестів та критеріїв щодо перевезення небезпечних вантажів Рекомендацій ООН.

У більшості випадків перевезення акумуляторів DEWALT може бути класифіковано як перевезення небезпечних речовин, що повністю підпадають під клас 9. Загалом тільки вантажі, що містять літій-іонні акумулятори ємністю більше за 100 ват-годин (Вт-год.), вимагають транспортування відповідно до норм перевезення небезпечних речовин, що повністю підпадають під клас 9. На всі літій-іонні акумулятори нанесено значення ват-годин. Крім того, через складності законодавчих норм компанія DEWALT не рекомендує транспортування окремо літій-іонних акумуляторів повітряним транспортом, незалежно від показника ват-годин. Перевезення інструментів з акумуляторами (у комплекті) можна виконувати повітряним транспортом, якщо значення ват-годин не перевищує 100 Вт-год.

Незалежно від того, чи вантаж вважається виключеним або повністю регламентованим, вантажовідправник несе відповідальність за відповідність останнім нормам щодо вимог до упакування, етикеток/маркування та документації.

Інформація, що наводиться у цьому розділі керівництва, сумлінно перевірена та вважається дійсною на момент складання документації. Проте чинні нормативи можуть підлягати змінам. Покупець несе відповідальність за те, щоб його дії відповідали певним нормам.

Транспортування батареї FLEXVOLT™

Батарея DEWALT FLEXVOLT™ має два режими: **використання** та **транспортування**.

Режим використання. при використанні батареї FLEXVOLT™ окремо або в продукті DEWALT 18В вона працює як батарея потужністю 18 В. Якщо батарею FLEXVOLT™ встановлено у пристрій потужністю 54 В або 108 В (дві батареї 54 В), вона буде працювати як батарея 54 В.

Режим транспортування. якщо на батарею FLEXVOLT™ встановлено кришку, вона знаходиться у режимі транспортування. Не знімайте цю кришку при транспортуванні.

У режимі транспортування послідовність електричних елементів акумулятора роз'єднана, що створює 3 акумулятори з меншим значенням Вт-год в порівнянні з 1 акумулятором із більшим значенням цього показника. Ці 3 акумулятори з нижчим значенням ват-годин можуть бути виключені з певних норм транспортування, що застосовуються для акумуляторів з більшим значенням ват-годин.

Наприклад, показник транспортування може бути 3 × 36 Вт-год, що означає 3 акумулятори по 36 Вт-год кожний. При цьому показник Вт-год в режимі використання може бути вказаний як 108 Вт-год (1 акумулятор).

Приклад маркування способів використання та транспортування



Рекомендації щодо зберігання

1. Найкращим місцем для зберігання інструмента є прохолодне сухе місце, куди не потрапляють прямі сонячні промені та немає доступу тепла та холоду. Для оптимальної продуктивності та терміну служби батарей зберігайте їх за кімнатної температури, коли вони не використовуються.
2. При тривалому зберіганні для оптимального результату рекомендується помістити повністю заряджений акумулятор у сухе прохолодне місце поза зарядним пристроєм.

ПРИМІТКА: Не рекомендується зберігати акумулятор повністю розрядженим. Акумулятор потрібно перезарядити перед використанням.

Етикетки на зарядному пристрої та акумуляторі

Крім символів, що використовуються у цьому керівництві, етикетки на зарядному пристрої та акумуляторі можуть містити наведені нижче позначки.



Прочитайте інструкції цього керівництва перед використанням.



Див. розділ «Технічні дані» щодо часу зарядки.



Не торкайтеся електропровідними предметами.



Не заряджайте пошкоджені акумулятори.



Не піддавайте впливу води.





Негаймо замінійте пошкоджений дрiт живлення.



Заряджайте акумулятор за температури 4–40 °С.



Лише для використання в приміщенні.



Утилізуйте акумулятори з належною турботою про навколишнє середовище.



Заряджайте акумулятори DEWALT лише за допомогою спеціальних зарядних пристроїв DEWALT. Зарядка інших акумуляторних батарей, ніж призначені DEWALT, у зарядному пристрої DEWALT може призвести до їх вибуху або інших небезпечних ситуацій.



Не спалюйте акумулятори.



ВИКОРИСТАННЯ (без кришки для транспортування). Приклад: Значення Вт-год становить 108 Вт-год (1 акумулятор потужністю 108 Вт-год).



ТРАНСПОРТУВАННЯ (зі встановленою кришкою для транспортування). Приклад: Значення Вт-год становить 3 × 36 Вт-год (3 акумулятори потужністю 36 Вт-год).

Тип акумулятора

Пристрій DCH172 працює від акумулятора потужністю 18 вольт.

Для експлуатації придатні акумулятори наступних моделей: DCB181, DCB182, DCB183, DCB183B, DCB184, DCB184B, DCB185, DCB187, DCB189, DCB546, DCB547, DCB548. Див. додаткову інформацію у розділі **Технічні дані**.

Комплект поставки

До комплекту входить:

- 1 Акумуляторний роторний перфоратор
- 1 Бокова ручка і шток налаштування глибини
- 1 Зарядний пристрій для акумулятора
- 1 Літій-іонний акумулятор (моделі C1, D1, G1, L1, M1, P1, S1, T1, X1, Y1)
- 2 Літій-іонні акумулятори (моделі C2, D2, G2, L2, M2, P2, S2, T2, X2, Y2)
- 3 Літій-іонні акумулятори (моделі C3, D3, G3, L3, M3, P3, S3, T3, X3, Y3)
- 1 Ящик з інструментами (не входить до комплексу моделей XE)
- 1 Керівництво з експлуатації

ПРИМІТКА. Акумулятори, зарядні пристрої та коробки для зберігання не входять до комплексу моделей N. Акумулятори та зарядні пристрої не входять до комплексу моделей NT. Моделі В включають акумулятори для приладів з підтримкою Bluetooth®.

ПРИМІТКА. Текстовий знак та логотипи Bluetooth® є зареєстрованими товарними знаками, що належать компанії Bluetooth®, SIG, Inc. Будь-яке використання таких знаків компанією DEWALT здійснюється згідно з ліцензією. Інші торгові марки й торгові назви належать відповідним власникам.

- *Перевірте інструмент, деталі та приладдя на пошкодження, що могли виникнути під час транспортування.*
- *Перед використанням уважно прочитайте та повністю зрозумійте це керівництво.*

Маркування інструмента

На інструменті є наступні піктограми:



Прочитайте інструкції цього керівництва перед використанням.



Використовуйте засоби захисту органів слуху.



Використовуйте засоби захисту очей.



Видиме випромінювання. Не дивіться на джерело світла.

Розташування коду дати (Рис. В)

Код дати **13**, що включає також рік виробництва, зазначений на корпусі.

Приклад:

2021 XX XX

Рік виробництва

Опис (рис. А)



УВАГА! Ніколи не модифікуйте електричні інструменти або їх деталі. Це може призвести до пошкодження майна або тілесних ушкоджень.

- 1 Бокова ручка
- 2 Шток налаштування глибини
- 3 Тригерний перемикач
- 4 Кнопка зміни напрямку обертання вперед/назад (кнопка блокування)
- 5 Селектор режиму
- 6 Основна ручка
- 7 Лампа підсвічування
- 8 Акумулятор
- 9 Кнопка розблокування акумулятора
- 10 Контроль активної вібрації
- 11 Поясний гак
- 12 Точка кріплення ремінця

Сфера застосування

Цей акумуляторний перфоратор для роботи в важких умовах призначений для професійних робіт з свердління бетону, деревини і металу.

НЕ використовуйте за умов підвищеної вологості або в присутності легкозаймистих рідин та газів.

Цей акумуляторний перфторатор для роботи в важких умовах є професійним електричним інструментом.

Не дозволяйте дітям підходити до небезпечної відстані та торкатися інструмента. Використання інструмента недосвідченими операторами потребує нагляду.

- **Діти та хворі люди.** Цей пристрій не призначений для експлуатації дітьми та особами з обмеженими розумовими та фізичними можливостями без стороннього контролю.
- Цей пристрій не призначений для використання особами (включаючи дітей) із зниженими фізичними, сенсорними або розумовими можливостями або особами, яким бракує досвіду або знань за винятком випадків, коли такі особи працюють під наглядом особи, яка несе відповідальність за їх безпеку. Не можна залишати дітей наодинці з цим приладом.

МОНТАЖ ТА НАЛАШТУВАННЯ



ПОПЕРЕДЖЕННЯ: Щоб знизити ризик серйозних тілесних ушкоджень, вимкніть інструмент та відключіть акумулятор перед виконанням будь-яких налаштувань або змінами/встановленням додаткового обладнання або приладдя. Випадковий запуск може призвести до травм.



ПОПЕРЕДЖЕННЯ: Використовуйте тільки DEWALT акумулятори та зарядні пристрої.

Установка акумулятора в інструмент та його виймання (Рис. В)

ПРИМІТКА. Переконайтесь, що ваш акумулятор 8 повністю заряджений.

Для встановлення акумулятора у ручку інструмента

1. Вирівняйте акумулятор 8 по напрямних у ручці інструменту (Рис. В).
2. Вставте акумулятор у ручку до упору та переконайтесь, що ви почули звук клацання акумулятора, що став на місце.

Виймання акумулятора з інструмента

1. Натисніть кнопку розблокування 9 та витягніть акумулятор з ручки інструмента.
2. Вставте акумулятор у зарядний пристрій, як описано у розділі щодо зарядного пристрою цього керівництва.

Акумулятори з індикатором рівня заряду (Рис. В)

Деякі акумулятори DEWALT оснащені індикатором заряду з трьох зелених світлодіодів, що вказують рівень заряду акумулятора, що залишився.

Щоб увімкнути індикатор заряду, натисніть та утримуйте кнопку індикатора заряду 14. Три зелені світлодіоди будуть горіти відповідним чином, відображуючи рівень зарядки акумулятора. Коли рівень заряду акумулятора нижче

відповідного ліміту, індикатор рівня заряду не горить, а акумулятор потрібно зарядити.

ПРИМІТКА: Індикатор рівня зарядки показує лише рівень зарядки, що залишився в акумуляторі. Він не показує функціональність інструмента, а його показники можуть змінюватись відповідно до комплектності інструмента, температури та способу застосування.

Електронний захист від перенавантаження

При заїданні свердла зупиняється подача живлення на шпіндель через спрацювання електронного захисту від перенавантаження. Для відновлення живлення на шпіндель тригер інструмента потрібно відпустити, а потім натиснути. Щоб уникнути сильної вібрації, завжди міцно тримайте інструмент обома руками і працюйте у стійкій позі.

Контроль активної вібрації (рис. А)

Для кращого контролю вібрації необхідно одну руку тримати на основній ручці 6, а іншу – на боковій ручці 11. Прикладайте достатньо тиску, щоб контроль активної вібрації 10 на задній ручці був напівімкнутий. Перфторатору потрібен лише достатній тиск, здатний задіяти контроль активної вібрації. Надмірна сила не збільшить швидкість свердління інструмента, і контроль активної вібрації не буде задіяний.

Кріплення ремінця (рис. А, К)

Додаткове приладдя

Попередження з техніки безпеки при використанні на висоті



УВАГА!

Якщо інструмент з якоїсь причини впав, то перед повторним використанням необхідно перевірити і належним чином обслужити кріплення ремінця. Кріплення ремінця призначене для розтягування для поглинання удару падіння. Будь-яке постійне розтягнення кріплення, що оголює внутрішні котушки з червоним маркуванням, вказує на те, що воно було пошкоджене і підлягає технічному обслуговуванню перед повторним використанням.

- Не використовуйте гачки для підвішування як точки кріплення ремінця.
- Використовуйте лише акумулятори з вбудованим ремінцем. Не використовуйте незакріплені акумулятори, поки інструмент прив'язаний. Незакріплені акумулятори можуть від'єднатися від інструменту при падінні.
- При роботі «на висоті» завжди тримайте інструмент та приладдя на прив'язі. (Максимальна довжина ремінця: 6,5 футів [2 м].)
- Використовуйте лише ремінці, що підходять для даного типу інструменту і розраховані як мінімум на вагу, зазначену на етикетці точки кріплення ремінця.

- *Небезпека розчавлення, порізів або заплутування. Не використовуйте поблизу рухомих деталей, механізмів або працюючих машин.*
- *Не прикріплюйте ремінець інструменту до будь-чого на тілі. Прикріплюйте до жорсткої конструкції, здатної витримати силу падіння інструменту.*
- *Перед використанням переконайтеся, що ремінець надійно закріплений на кожному кінці.*
- *Перед кожним використанням перевіряйте інструмент і ремінець на наявність пошкоджень і правильне функціонування (включаючи тканину і шви). Не використовуйте в разі пошкодження або неправильного функціонування.*
- *Не змінюйте точку кріплення ремінця Lanuard Ready™ і не використовуйте її інакше, ніж зазначено в цьому керівництві.*
- *Прикріплюйте інструмент тільки до ремінця з замикаючим карабіном. Не закріплюйте ремінець петлею або вузлом. Не використовуйте мотузку або шнур.*
- *Небезпека ураження електричним струмом. При роботі в високовольтних зонах переконайтеся, що живлення вимкнено. Деякі ремінці проводять струм.*
- *Після падіння інструменти будуть гоїдатися на ремінці, що може призвести до травми або втрати рівноваги.*
- *Не переносьте інструмент за точку кріплення ремінця Lanuard Ready™, шнурок від акумулятора або ремінець.*
- *Не прикріплюйте більше одного інструменту до кожного ремінця.*
- *Використовуйте лише відповідний фірмовий комплект ремінного кріплення DEWALT. НИКОЛИ не змінюйте інструменти для створення точок кріплення.*
- *Перекладайте інструмент між руками лише при дотриманні рівноваги і стабільної орієнтації.*
- *Не прикріплюйте ремінці до інструменту таким чином, при якому захисні пристрої, вимикачі або запобіжники не працюватимуть належним чином.*
- *Уникайте заплутування в ремінці.*
- *Тримайте ремінець подалі від зони різання інструменту.*
- *Не використовуйте ремінці або кріпильні пристосування для отримання додаткового важеля впливу на інструмент.*
- *Не використовуйте для особистого захисту від падіння.*
- *Небезпека падіння предметів! Замінійте батареї, приладдя і насадки лише в тому випадку, якщо предмет, що впаде під вас, не становить небезпеки. Зверніться до вашого*

офіційного контролюючого органу (АНД) або керівника об'єкта для отримання інформації про процедури роботи на висоті.

- *Не використовуйте на висоті зарядні пристрої та мішки для сміття.*
- *Використовуйте карабіни багатосторонньої дії або гвинтові затворні. Не використовуйте карабіни з пружинними затискачами односторонньої дії.*

Точка кріплення Lanuard Ready™ **12** призначена для встановлення готової точки кріплення ремінця DEWALT Lanuard Ready™, доступної в сервісному центрі DEWALT. Комплект ремінного кріплення призначений для використання компетентним персоналом, який навчений та обізнаний у роботі з інструментами в машинах і біля них, а також «на висоті». Комплект ремінного кріплення може додаватися до певних моделей і підлягає встановленню в авторизованому сервісному центрі.

Бокова ручка і шток налаштування глибини (рис. А, С)



УВАГА! Щоб знизити ризик травм, завжди користуйтеся інструментом з правильно встановленою боковою ручкою. Інакше під час роботи бокова ручка буде рухатися, що може спричинити втрату контролю над інструментом. Для кращого контролю утримуйте інструмент обома руками.

Бокова ручка **1** закріплюється в передній частині корпусу редуктора і може повертатися на 360°, що дозволяє використовувати інструмент правою або лівою рукою.

Бокова ручка кріпиться до манжети **15** і має 12 місць для затягування. Бокову ручку можна затягнути обертанням рукоятки бокової ручки за годинниковою стрілкою. Бокова ручка повинна бути туго затягнута, щоб протистояти різким поворотним рухам інструмента при заїданні або згинанні насадки. Переконайтеся, що рухаєте бокову ручку до кінця манжети, щоб затискача частина в нього повністю увійшла.

Регулювання штоку налаштування глибини (рис. А)

Послабте бокову ручку **1** і перемістіть шток налаштування глибини **2** так, щоб відстань між кінцем штока налаштування глибини та кінцем насадки дорівнювала бажаній глибини свердління. При свердлінні зі штоком налаштування глибини зупиніться, коли кінець штока торкнеться поверхні матеріалу.

Допоміжний гак (рис. D)



УВАГА! Для зменшення ризику травматизму використовуйте допоміжний гак інструмента **ЛИШЕ** для підвищення інструменту на робочому поясі. **НЕ** використовуйте допоміжний гак інструмента для підвищення або фіксації інструмента, який працює, на тілі людини або іншому предметі. **НЕ** підвищуйте

інструмент догори ногами та не вішайте предмети на допоміжний ак інструмента.



УВАГА! Щоб знизити ризик отримання важких травм, переконайтесь у надійній фіксації гвинта, який утримує допоміжний ак інструмента.

ВАЖЛИВО! Для встановлення або заміни допоміжного гака **11** використовуйте лише гвинт **16**, який йде в комплекті. Переконайтесь, що гвинт надійно затягнутий.

Допоміжний гак можна припасувати з будь-якої сторони приладу з використанням того гвинта, який надається в комплекті для використання правою або лівою рукою. Якщо гак непотрібний взагалі, його можна зняти з інструмента. Щоб переставити допоміжний гак, викрутіть гвинт, який кріпить допоміжний гак, а потім встановіть його з протилежної сторони. Переконайтесь, що гвинт надійно затягнутий.

Насадки і тримач насадок



УВАГА! *Небезпека опіку. ЗАВЖДИ використовуйте рукавиці при зміні насадок. Доступні металеві деталі інструмента та насадки можуть бути дуже гарячими під час роботи. Невеликі уламки матеріалів можуть травмувати незахищені руки.*

Перфоратор можна використовувати з різними типами насадок, в залежності від виконуваної операції. **Завжди використовуйте гострі свердла.**

Рекомендації з вибору насадок

- Для свердління деревини використовуйте спіральні свердла, долотчасті свердла, шнекові свердла або коронки.
- Для свердління металу використовуйте високошвидкісні спіральні свердла зі сталі або коронки. Використовуйте мастильно-охолоджуючу рідину при свердлінні металу. Виятками при цьому є чавун та латунь, які повинні бути сухими під час свердління.

Тримач насадок SDS plus® (рис. H)

ПРИМІТКА. Для використання з тримачем інструменту SDS-Plus® насадок з прямим хвостовиком і шестигранних насадок-викруток необхідний спеціальний адаптер. Див. розділ **Додаткові аксесуари**.

Встановлення свердла та інших насадок:

1. Вставте хвостовик насадки в тримач інструменту SDS Plus® на глибину приблизно 19 мм **17**.
2. Натисніть і повертайте насадку до блокування на місці. Насадка буде надійно зафіксована у тримачі.
3. Для витягування насадки відтягніть назад муфту **18** і зніміть насадку.

РЕЖИМ РОБОТИ

Інструкції з використання



ПОПЕРЕДЖЕННЯ: *Завжди дотримуйтесь усіх інструкцій з техніки безпеки та відповідних норм.*



ПОПЕРЕДЖЕННЯ: *Щоб знизити ризик серйозних тілесних ушкоджень, вимкніть інструмент*

та відключіть акумулятор перед виконанням будь-яких налаштувань або змінням/встановленням додаткового обладнання або приладдя. *Випадковий запуск може призвести до травм.*

Належне положення рук (рис. A, E)



УВАГА! *Щоб знизити ризик серйозних травм, ЗАВЖДИ правильно розташовуйте руки, як показано.*



УВАГА! *Щоб знизити ризик серйозних травм, ЗАВЖДИ надійно тримайте інструмент, щоб попередити випадкову віддачу.*

При правильному положенні рук необхідно одну руку тримати на боковій ручці **1**, а іншу – на основній ручці **6**.

Курковий перемикач (рис. A)

Для ввімкнення інструмента натисніть тригерний перемикач **3**. Відпустіть тригерний перемикач, щоб вимкнути інструмент. Ваш інструмент оснащено гальмом. Патрон зупиниться, коли тригерний перемикач буде повністю відпущений.

Тригерний перемикач змінної швидкості

Тригерний перемикач змінної швидкості дозволяє вибрати найкращу швидкість для конкретного застосування. Чим далі ви будете натискати курок, тим швидше буде обертатись інструмент. Для подовження терміну служби інструменту використовуйте змінну швидкість тільки на початку свердління отворів або закручування кріпильних елементів.

ПРИМІТКА. Постійне використання у змінному діапазоні швидкостей не рекомендується. Це може призвести до пошкодження перемикача.

Реверсивна кнопка (рис. F)

Реверсивна кнопка **4** визначає напрямок обертання насадки, а також є кнопкою блокування.

Для активації обертання вперед, відпустіть тригерний перемикач **3** та натисніть кнопку перемикачання напрямку обертання вперед/назад на правій стороні інструменту.

Щоб обрати обертання назад, натисніть реверсивну кнопку на лівій стороні інструмента.

Реверсивна кнопка у центральному положенні блокує інструмент у вимкненому стані. При зміні положення кнопки переконайтесь, що тригер відпущений.

ПРИМІТКА. При першому запуску інструменту після зміни напрямку обертання, ви можете почути клацання під час запуску. Це нормально і не є показником проблеми.

Джерело робочого світла (рис. A)



ОБЕРЕЖНО! *Уникайте прямого погляду на джерело робочого світла. Це може призвести до серйозного пошкодження очей.*

В передній частині інструмента знаходиться лампа підсвічування **7**. Робоче світло вмикається при натиску на тригерний перемикач і автоматично вимикається через 20 секунд після відпускання перемикача. Якщо тригерний

перемикач натиснути впродовж певного часу, робоче світло залишатиметься також увімкненим.

ПРИМІТКА. Джерело робочого світла призначене для освітлення безпосередньої робочої поверхні та не використовується в якості ліхтарика.

Режими роботи (рис. G)



УВАГА! Не обирайте робочий режим під час роботи інструмента.



ОБЕРЕЖНО! Ніколи не працюйте в режимі ударного свердління або свердління без удару з встановленим у тримач насадок долотом. Це може привести до пошкодження інструменту та отримання травми.

Ваш інструмент оснащений перемикачем селектора режимів 5 для установки режиму відповідно до завдання, яке виконується.

Символ	Режим роботи	Застосування
	Роторне свердління	Використання викрутки Свердління металу, деревини і пластику
	Ударне свердління	Свердління бетону і кладки

Вибір режиму роботи:

1. Повертайте селектор режимів, поки стрілка не встановиться на символ, що відповідає обраному режиму.

ПРИМІТКА. Стрілка на селекторі режимів 5 повинна завжди вказувати на один з позначених символів. У проміжках між символами немає робочих положень. Щоб вирівняти положення насадки, може знадобитися запустити на мить двигун, переключивши режим «лише довбання» на режим «роторне свердління».

Виконання операцій (рис. A, G)



УВАГА! ЩОБ ЗНИЗИТИ РИЗИК ОТРИМАННЯ ТРАВМИ, ЗАВЖДИ надійно закріплюйте заготовку. При свердлінні тонких матеріалів підкладайте деревний брусок, щоб уникнути їх пошкодження.



УВАГА! Перш ніж змінити напрямок обертання, обов'язково дочекайтеся повної зупинки двигуна.

1. Виберіть і встановіть на інструмент відповідний патрон, адаптер і/або насадку. Див. розділ **Насадки і тримач насадок**.
2. За допомогою селектора режимів 5 оберіть режим відповідно до завдання, яке виконується. Див. розділ **Робочі режими**.
3. Встановіть бокову ручку 1 у необхідне положення.
4. Виберіть напрямок обертання, використовуючи кнопку реверсу (вперед/назад) 4. При зміні положення кнопки переконайтесь, що тригер відпущений.

- Щоб обрати обертання вперед, натисніть кнопку зміни напрямку обертання вперед/назад на правому боці інструмента.
- Щоб обрати зворотний напрямок, натисніть кнопку зміни напрямку обертання вперед/назад на лівому боці інструмента.

ПРИМІТКА. Реверсивна кнопка у центральному положенні блокує інструмент у вимкненому стані.

5. Встановіть свердел/долото у потрібну точку.
6. Відпустіть перемикач 3. Чим сильніше ви тиснете на тригерний перемикач, тим швидше працює інструмент. Для подовження терміну служби інструменту використовуйте змінну швидкість тільки на початку свердління отворів або закручування кріпильних елементів.
7. Щоб зупинити перфоратор, відпустіть вимикач.

Рекомендації щодо роботи з інструментом

- Свердління великих отворів діаметром (від 8 мм до 13 мм) можна спростити, якщо попередньо просвердлити отвір (від 4 мм до 5 мм).
- При свердлінні завжди прикладайте тиск по прямій лінії з буром, але не натискайте занадто сильно, щоб не викликати зупинку двигуна або відхилення насадки. Плавний і рівномірний вихід відходів з отвору вказує на належну швидкість свердління.
- При свердлінні тонких матеріалів або матеріалів, схильних до розколювання, підкладайте дерев'яний брусок, щоб уникнути їх пошкодження.



УВАГА!

- Не використовуйте цей інструмент для змішування та відкачування легкозаймистих або вибухонебезпечних рідин (бензин, спирт, тощо).
- Не змішуйте та не перемішуйте легкозаймисті рідини з відповідною поміткою.

ТЕХНІЧНЕ ОБСЛУГОВУВАННЯ

Ваш електричний інструмент призначений для роботи протягом довгого часу з мінімальним обслуговуванням. Довга задовільна робота приладу залежить від належного обслуговування приладу та регулярного його очищення.



ПОПЕРЕДЖЕННЯ: Щоб знизити ризик серйозних тілесних ушкоджень, вимкніть інструмент та відключіть акумулятор перед виконанням будь-яких налаштувань або змінанням/встановленням додаткового обладнання або приладдя. Випадковий запуск може призвести до травм.

Зарядний пристрій та акумулятор не підлягають обслуговуванню.



Змашування

Ваш електричний інструмент не вимагає додаткового змашування.



Очищення



ПОПЕРЕДЖЕННЯ: Коли пи́л та бруд стають помітними та починають накопичуватися біля вентиляційних отворів, вдувайте бруд та пи́л зсередини основного корпусу за допомогою сухого повітря. Використовуйте рекомендовані засоби захисту органів зору та рекомендовану протипилову маску при виконанні цієї операції.



ПОПЕРЕДЖЕННЯ: Ніколи не використовуйте розчинники та інші агресивні хімічні засоби для очищення неметалевих деталей інструмента. Такі хімічні речовини можуть нанести шкоду матеріалам, що використовуються в цих деталях. Використовуйте вологу ганчірку, змочену лише водою з м'яким милом. Не дозволяйте рідині потрапляти всередину інструмента та ніколи не занурюйте деталі інструмента в рідину.

Додаткові аксесуари



ПОПЕРЕДЖЕННЯ: Оскільки інше приладдя, що не зазначене виробником DeWALT, не перевірялося з цим пристроєм, його використання з інструментом може бути небезпечним. Необхідно використовувати лише рекомендовані DeWALT приладдя з цим пристроєм, щоб знизити ризик отримання травми.

Зверніться до свого дилера для отримання подальшої інформації щодо відповідного приладдя.

Система видалення пи́лу (рис. F)

Рекомендується використовувати систему видалення пи́лу, щоб знизити вивільнення у повітря потенційно шкідливого пи́лу і подовжити термін експлуатації інструменту і аксесуарів.

Зверніться до дилера для отримання додаткової інформації щодо відповідних систем видалення пи́лу.

Захист навколишнього середовища



Роздільний збір. Пристрої і акумулятори позначені цим символом, не можна викидати зі звичайним побутовим сміттям.

Пристрої і акумулятори містять матеріали, які можна відновити та переробити, що зменшить потребу у сировині. Утилізуйте електротехнічну продукцію і акумулятори відповідно до місцевих положень.

Більш детальну інформацію можна отримати на сайті www.2helpU.com.

Придатність акумулятора для перезарядки

Дана модель акумулятора підлягає перезарядці у випадку зниження його потужності при виконанні завдань, що попередньо не вимагали особливих зусиль. Наприкінці

терміну служби акумулятора утилізуйте його у спосіб, безпечний для навколишнього середовища.

- Повністю розрядіть акумулятор, потім витягніть його з інструменту.
- Літій-іонні акумулятори можна повторно переробляти. Відправте їх до свого дилера або на місцеву переробну станцію. Там зібрані акумулятори будуть перероблені або знищені належним чином.

SDS plus® і SDS max® є зареєстрованими торговими марками Robert Bosch GmbH



Виробник:

"Stanley Black & Decker Deutschland GmbH" Black-&Decker Str.40, D-65510 Idstein, Німеччина

060

DEWALT

ГАРАНТІЙНИЙ ТАЛОН

**3 РОКИ
ГАРАНТІЇ**

1. Вітаємо Вас з покупкою високоякісного виробу DEWALT і висловлюємо вдячність за Ваш вибір.
2. При покупці виробу вимагайте перевірки його комплектності і справності у Вашій присутності, інструкцію з експлуатації та заповнений гарантійний талон українською мовою. В гарантійному талоні повинні бути внесені: модель, дата продажу, серійний номер, дата виробництва інструменту, назва, печатка і підпис торгової організації. За відсутності у Вас правильно заповненого гарантійного талону, а також при невідповідності зазначених у ньому даних ми будемо змушені відхилити Ваші претензії щодо якості даного виробу.
3. Щоб уникнути непорозумінь, переконливо просимо Вас перед початком роботи з виробом уважно ознайомитися з інструкцією з його експлуатації. Правовою основою справжніх гарантійних умов є чинне Законодавство. Гарантійний термін на даний виріб складає 36 місяців і обчислюється з дня продажу. У разі усунення недовліків виробу, гарантійний строк продовжується на період його перебування в ремонті. Термін служби виробу становить 5 років з дня продажу.
4. У разі виникнення будь-яких проблем у процесі експлуатації виробу рекомендуємо Вам звертатися тільки в уповноважені сервісні центри DEWALT, адреси та телефони яких Ви зможете знайти в гарантійному талоні, на сайті www.2helpU.com або дізнатися в магазині. Наші сервісні станції – це не тільки кваліфікований ремонт, але і широкий асортимент запчастин і аксесуарів.
5. Виробник рекомендує проводити періодичну перевірку і технічне обслуговування виробу в уповноважених сервісних центрах.
6. Наші гарантійні зобов'язання поширюються тільки на несправності, виявлені протягом гарантійного терміну і викликані дефектами виробництва та \) або матеріалів.
7. Гарантійні умови не поширюються на несправності виробу, що виникли в результаті:
 - 7.1. Недотримання користувачем приписів інструкції з експлуатації виробу, застосування виробу не за призначенням, неправильного зберігання, використання приладів, витратних матеріалів і запчастин, що не передбачені виробником.
 - 7.2. Механічного пошкодження (відколю, тріщини і руйнування) внутрішніх і зовнішніх деталей виробу, основних і допоміжних рукояток, мережевого кабелю, що викликані зовнішнім ударним або будь-яким іншим впливом.
 - 7.3. Потраплення у вентиляційні отвори та проникнення всередину виробу сторонніх предметів, матеріалів або речовин, що не є відходами, які супроводжують застосування виробу за призначенням, такими як: стружка, тирса, пісок, та ін.
 - 7.4. Впливу на виріб несприятливих атмосферних і інших зовнішніх факторів, таких як дощ, сніг, підвищена вологість, нагрівання, агресивні середовища, невідповідність параметрів електромережі, що зазначені на інструменті.
 - 7.5. Стихійного лиха. Пошкодження або втрати виробу, що пов'язані з непередбаченими лихами, стихійними явищами, у тому числі внаслідок дії непереборної сили (пожежа, блискавка, потоп і інші природні явища), а також внаслідок перепадів напруги в електромережі та іншими причинами, які знаходяться поза контролем виробника.
8. Гарантійні умови не поширюються:
 - 8.1. На інструменти, що піддавалися розкриттю, ремонту або модифікації поза уповноваженим сервісним центром.
 - 8.2. На деталі, вузли та матеріали, що мають сліди природного зносу, такі як: приводні ремені і колеса, вугільні щітки, мастило, підшипники, зубчасті зчеплення редукторів, гумові ущільнення, сальники, направляючі ролики, муфти, вимикачі, бойки, штовхачі, стволы тощо.
 - 8.3. На змінні частини: патрони, цанги, затиски гайки і фланці, фільтри, ножі, шліфувальні підшови, ланцюги, зірочки, пильні шини, захисні кожухи, пилки, абразиви, пильні і абразивні диски, фрези, свердла, бури тощо.
 - 8.4. На несправності, що виникли в результаті перевантаження інструменту (як механічного, так і електричного), що спричинили вихід з ладу одночасно двох і більше деталей і вузлів, таких як: ротора і статора, обох обмоток статора, веденої і ведучої шестерень редуктора або інших вузлів і деталей. До безумовних ознак перевантаження виробу відносяться, крім інших: поява кольорів мінливості, деформація або оплавлення деталей і вузлів виробу, потемніння або обуглювання ізоляції проводів електродвигуна під впливом високої температури.

Товар отриманий в справному стані, без видимих ушкоджень, в повній комплектції, перевірений у моєї присутності, претензій щодо якості товару не маю. З умовами гарантійного обслуговування ознайомлений і згоден.

П. І. Б. та підпис власника _____

Шановні клієнти, наша мережа авторизованих сервісних центрів постійно розширюється. Актуальну інформацію про обслуговування в місті, що цікавить вас, ви можете дізнатися на сайті

www.2helpU.com

Редакція ВК/12-12-2018

Інформація про інструмент

Найменування інструменту	
Модель	
Найменування продавця	
Дата продажу	

М.П.
Продавця

Серійний номер/Дата виробництва

Інструмент	
Зарядний пристрій	
Акумулятор 1	
Акумулятор 2	

На сайті www.2helpU.com доступні наступні функції:

- Список авторизованих сервісних центрів
- Зручний пошук найближчого сервісного центру
- Керівництво з експлуатації
- Технічні характеристики
- Список деталей і запасних частин
- Схема складання інструменту



Також дану інформацію ви можете отримати,
зателефонувавши за номером:
0 (800) 211 521 в Україні

ВІДІТКА ПРО ПРОВЕДЕННЯ СЕРВІСНОГО ОБСЛУГОВУВАННЯ

№1	№2	№3	№4
№ замовлення	№ замовлення	№ замовлення	№ замовлення
Дата прийому	Дата прийому	Дата прийому	Дата прийому
Дата ремонту	Дата ремонту	Дата ремонту	Дата ремонту
Печатка і підпис сервісного центру	Печатка і підпис сервісного центру	Печатка і підпис сервісного центру	Печатка і підпис сервісного центру

