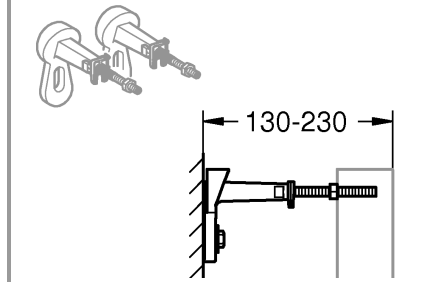
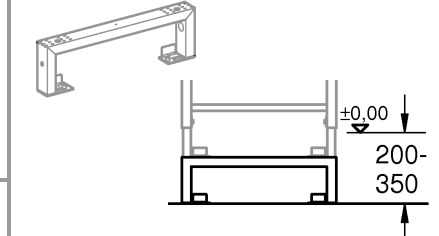


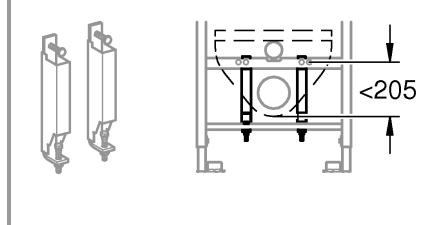
38 558



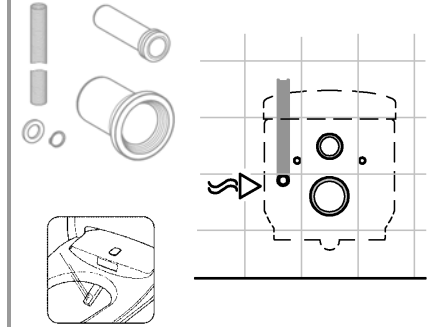
38 629



38 779



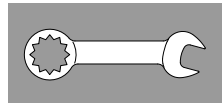
40 899



1 - 2



2 - 6



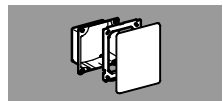
7 - 8



8 - 11

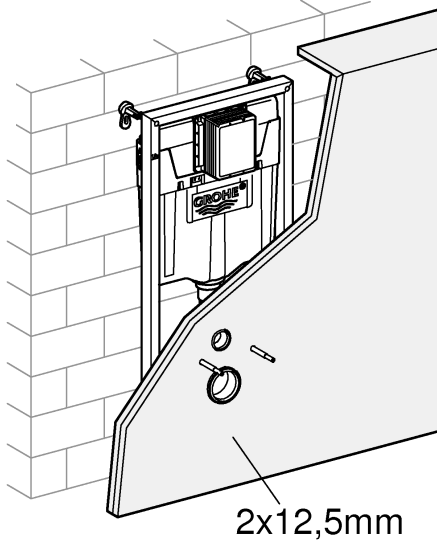
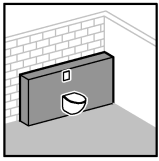


11



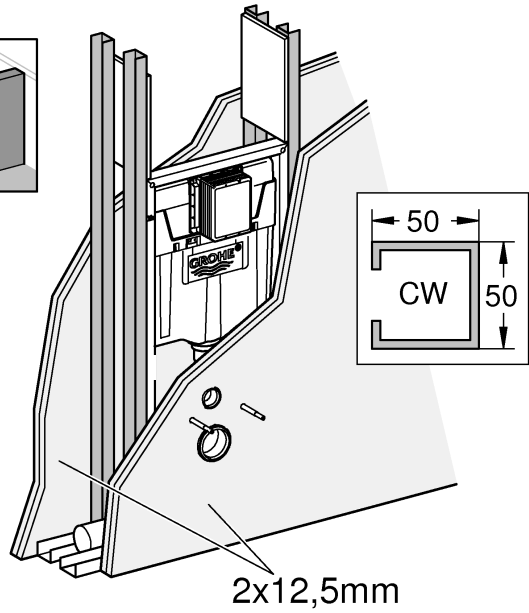
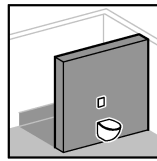


2 - 4



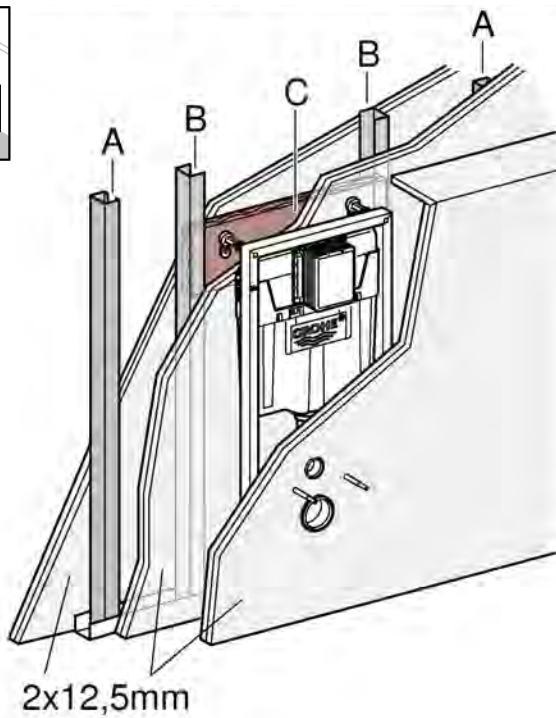
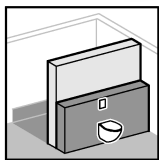
2x12,5mm

5 - 6



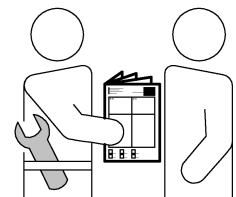
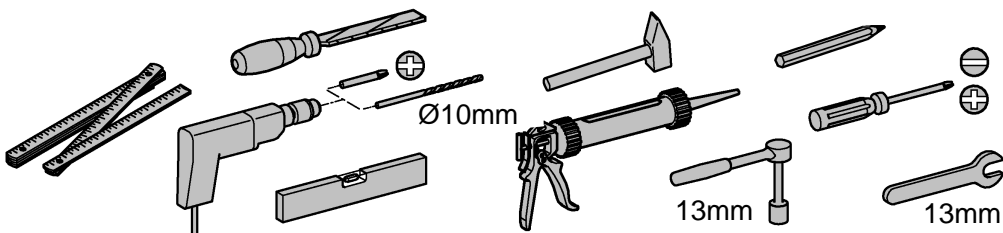
2x12,5mm

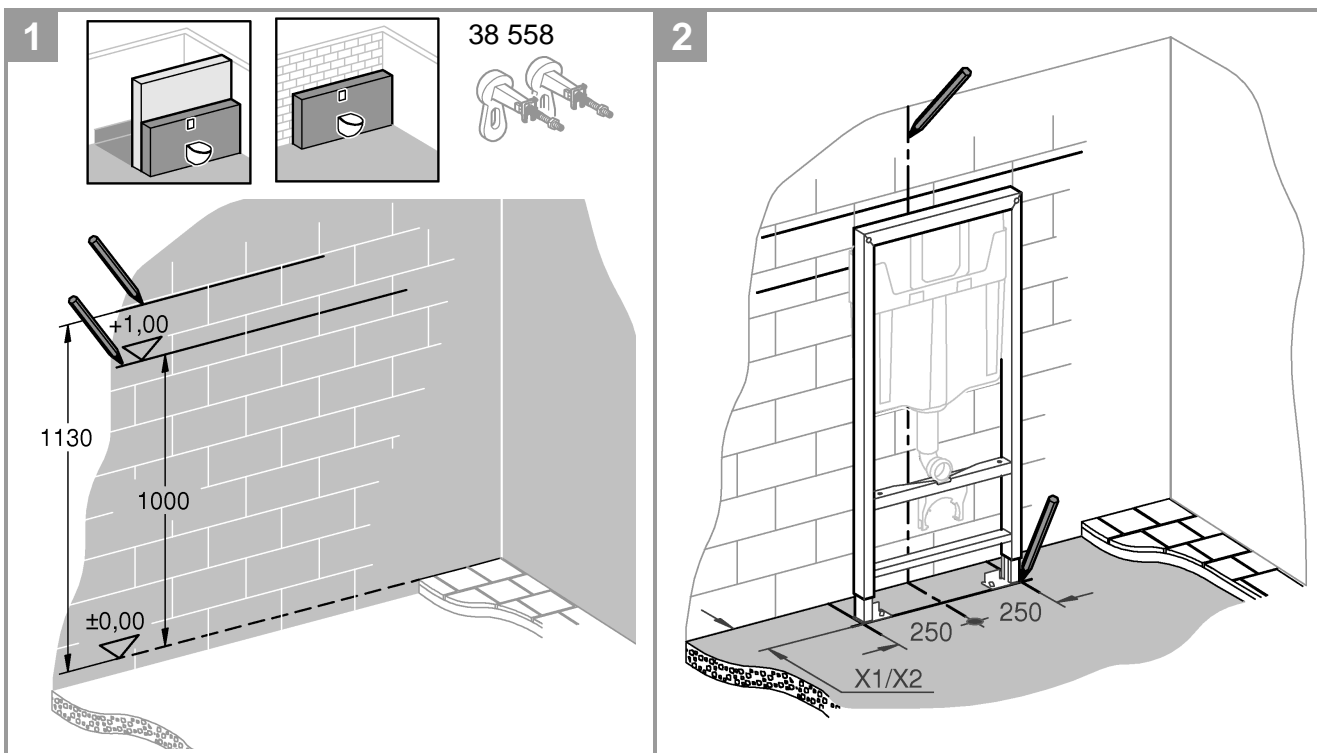
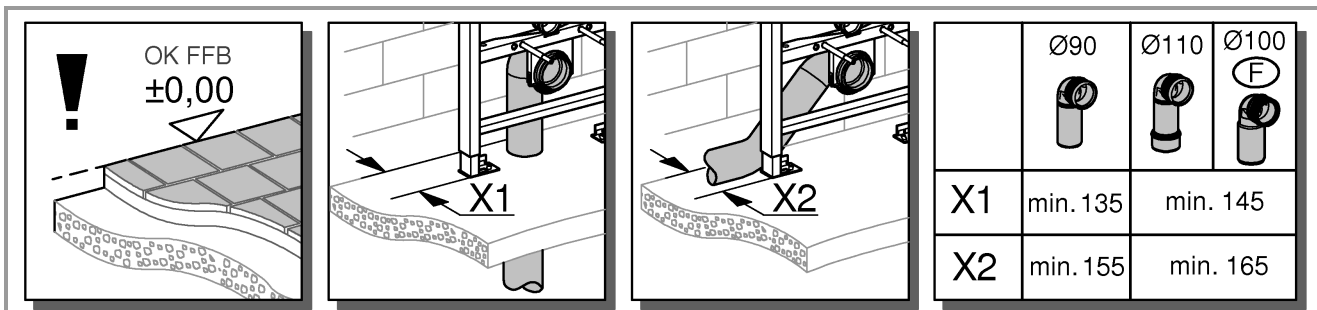
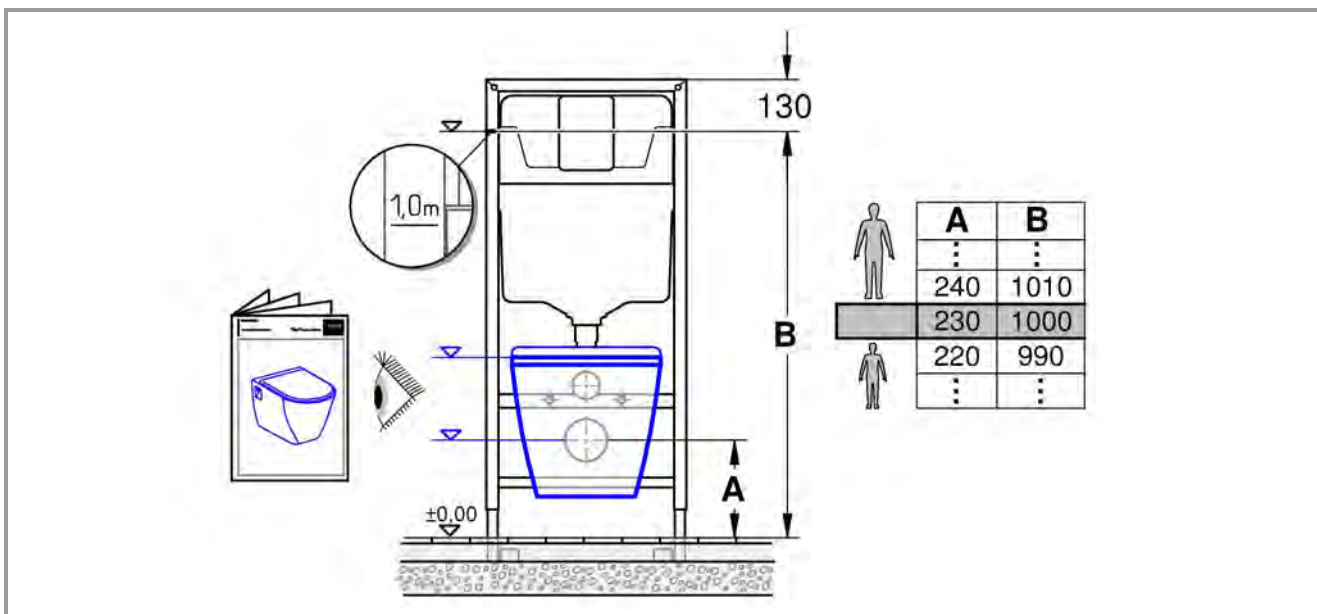
2 - 4

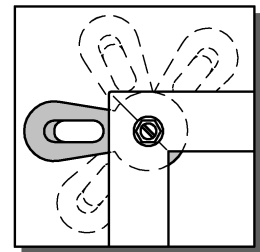
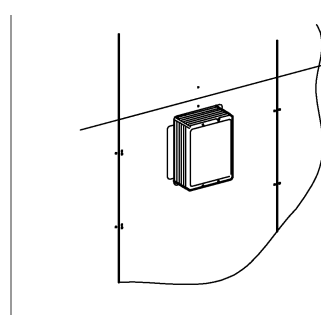
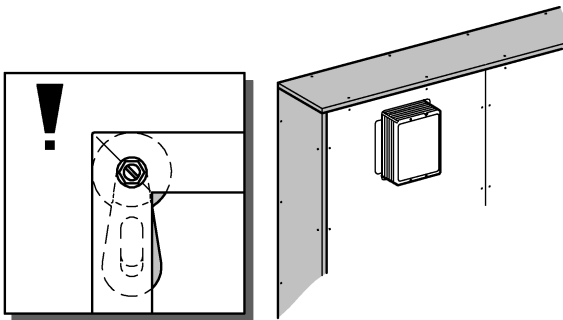
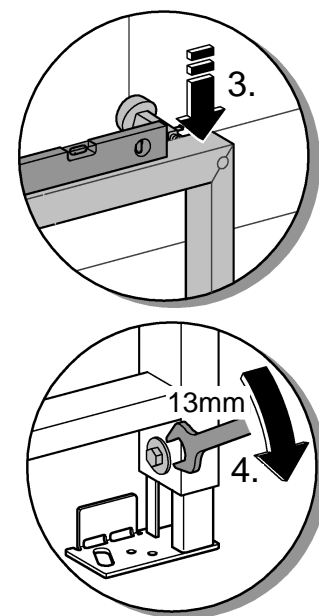
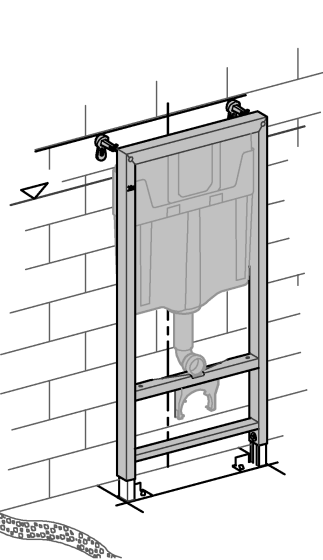
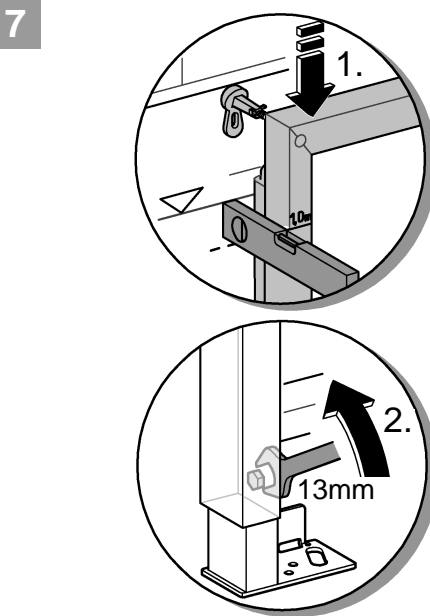
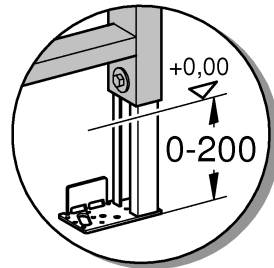
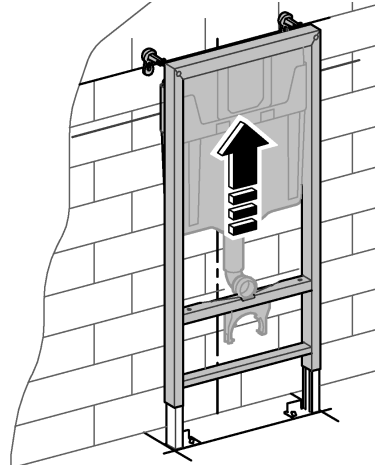
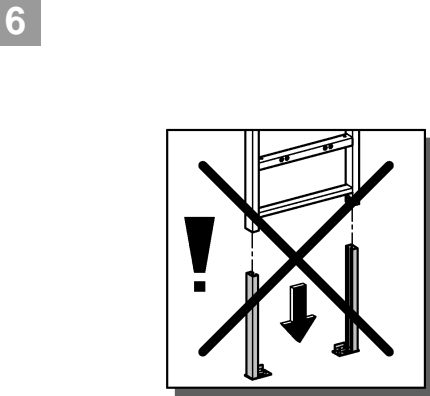
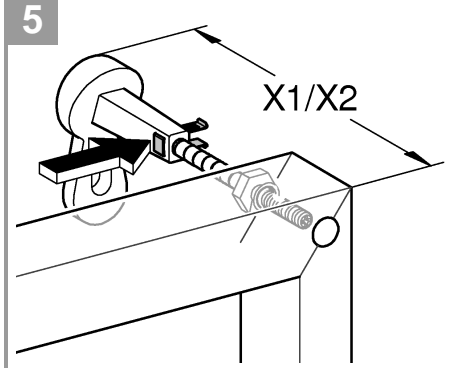
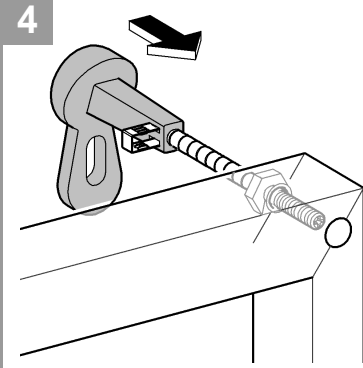
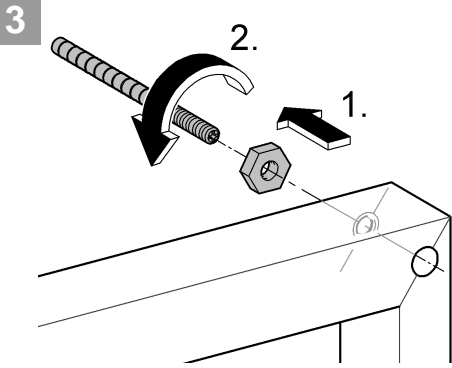


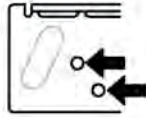
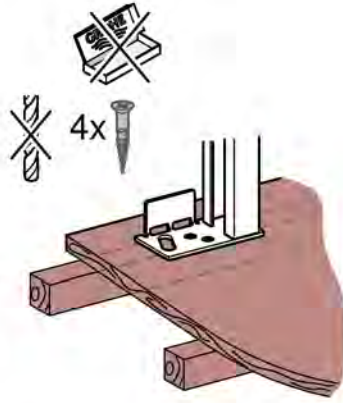
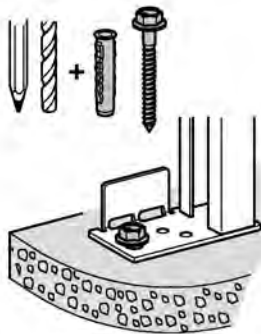
2x12,5mm

A	B	C
50x50x0,6	50x40x2	300x620x24
75x50x0,6	75x40x2	

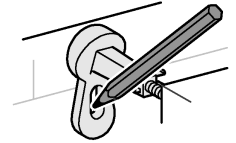
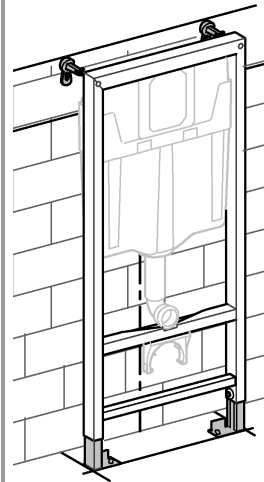




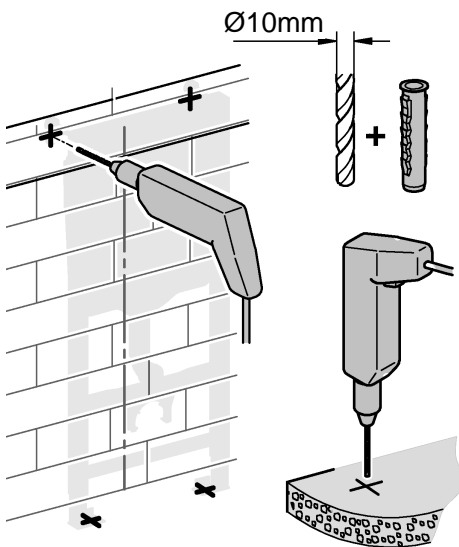




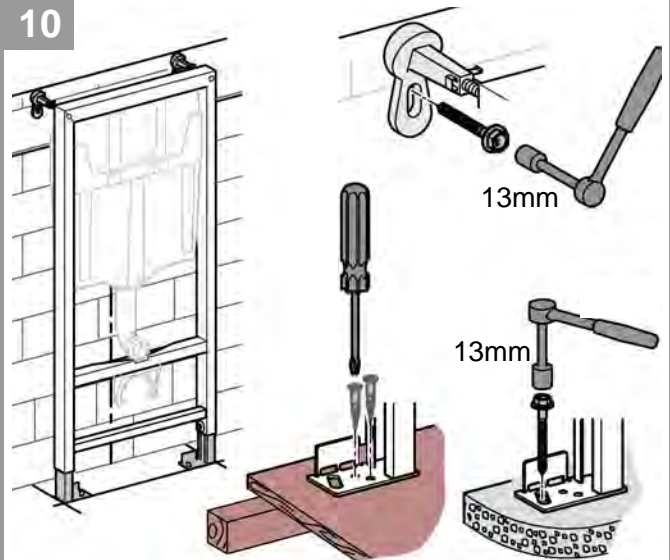
8



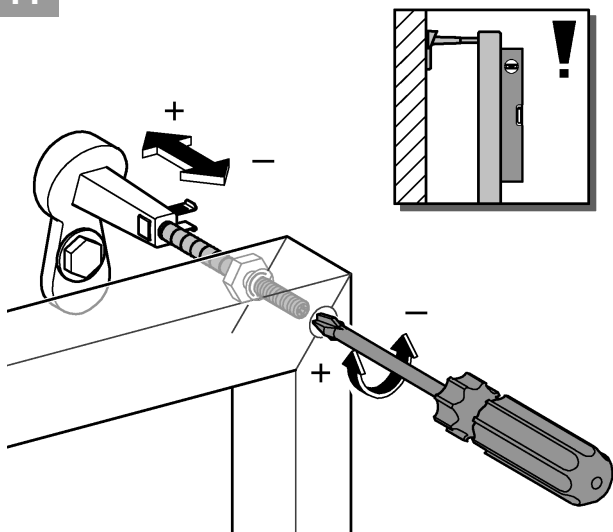
9



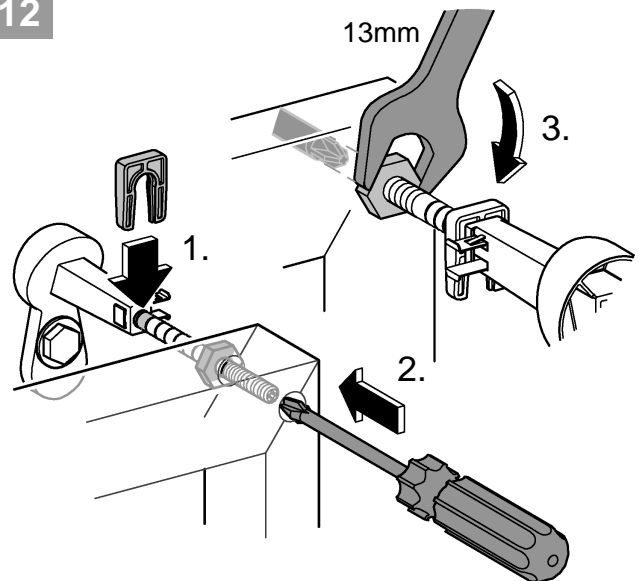
10

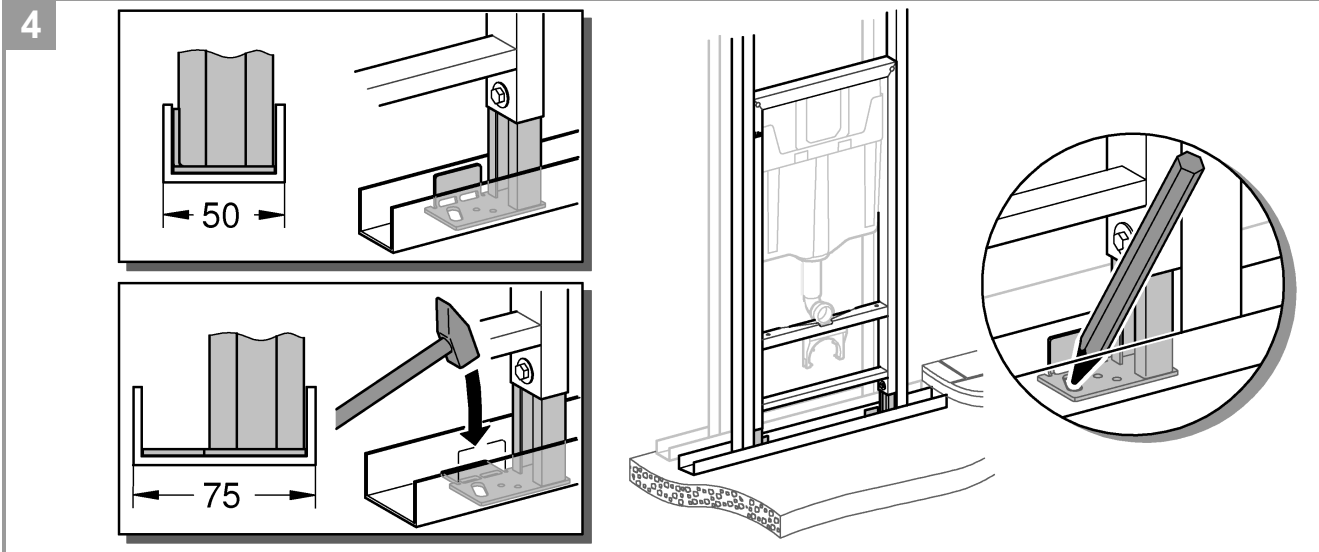
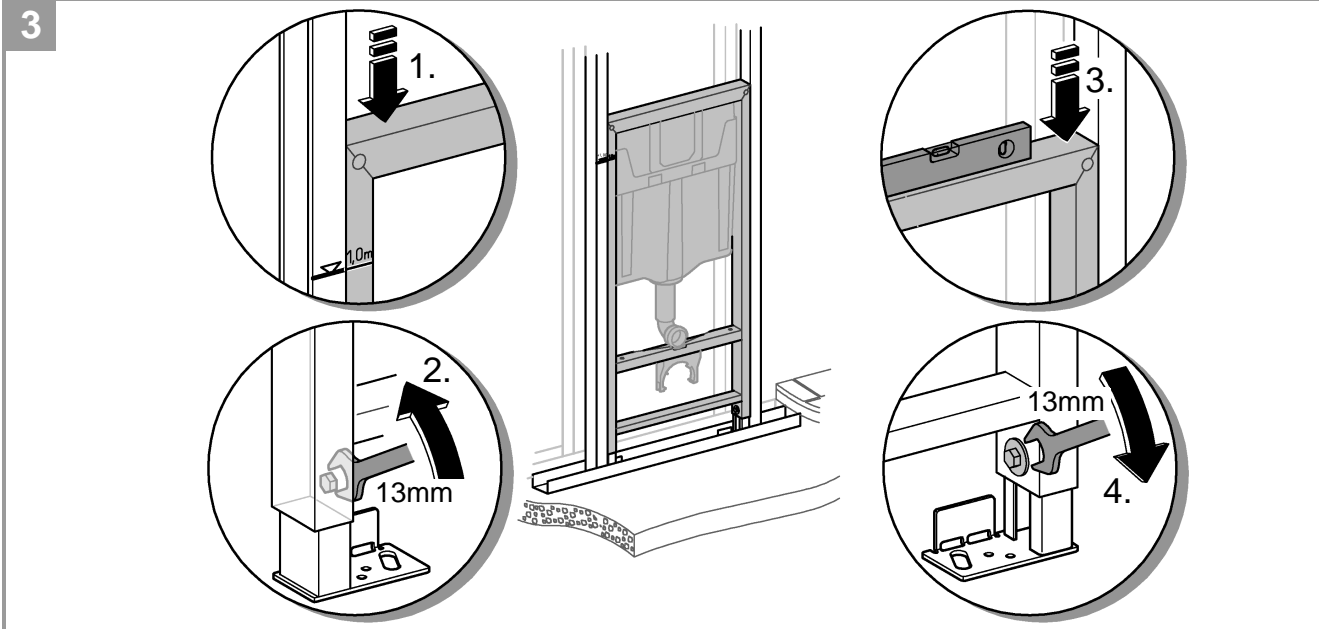
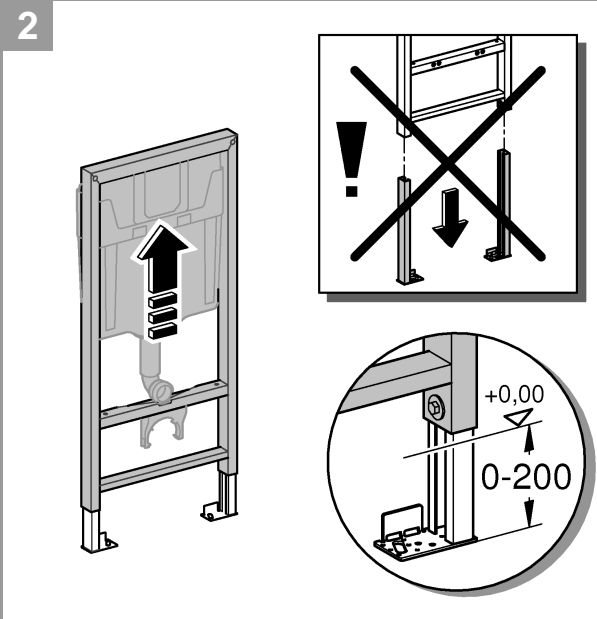
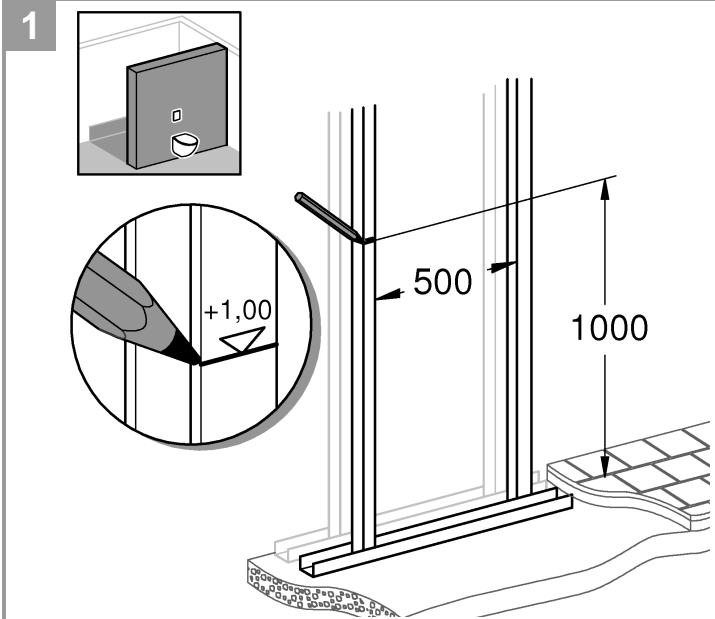
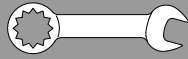


11



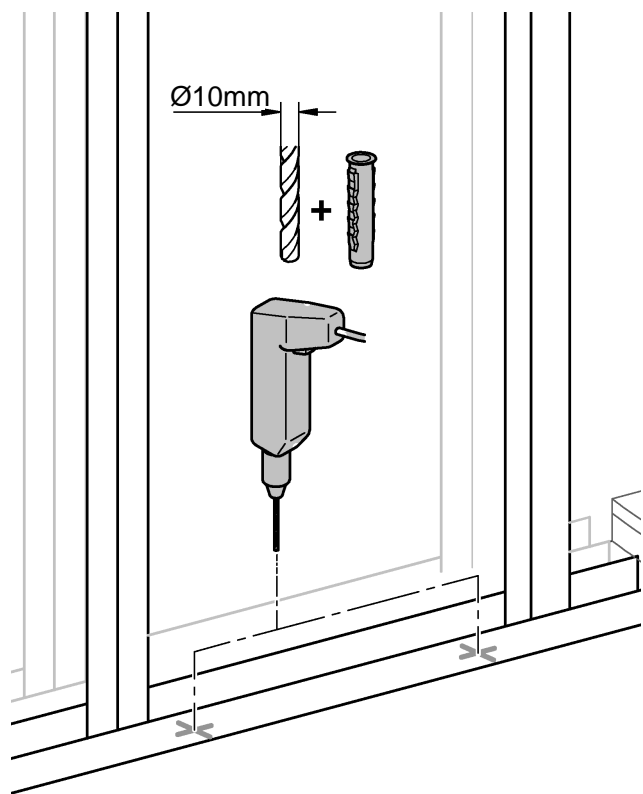
12



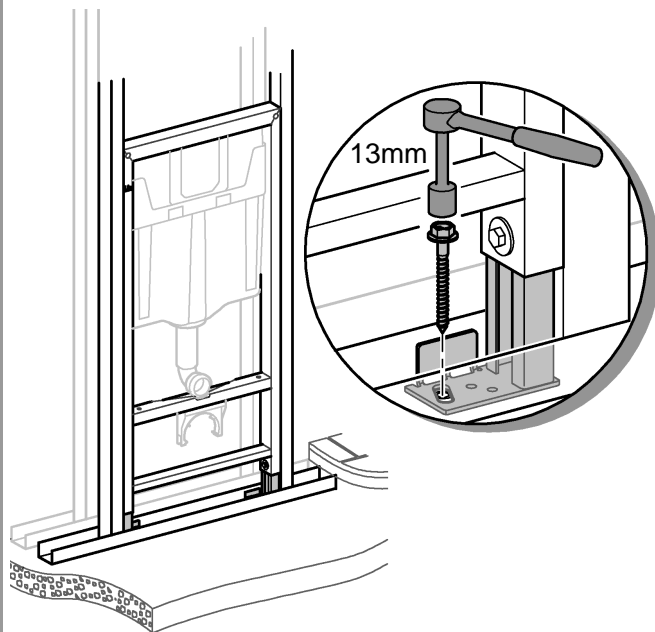




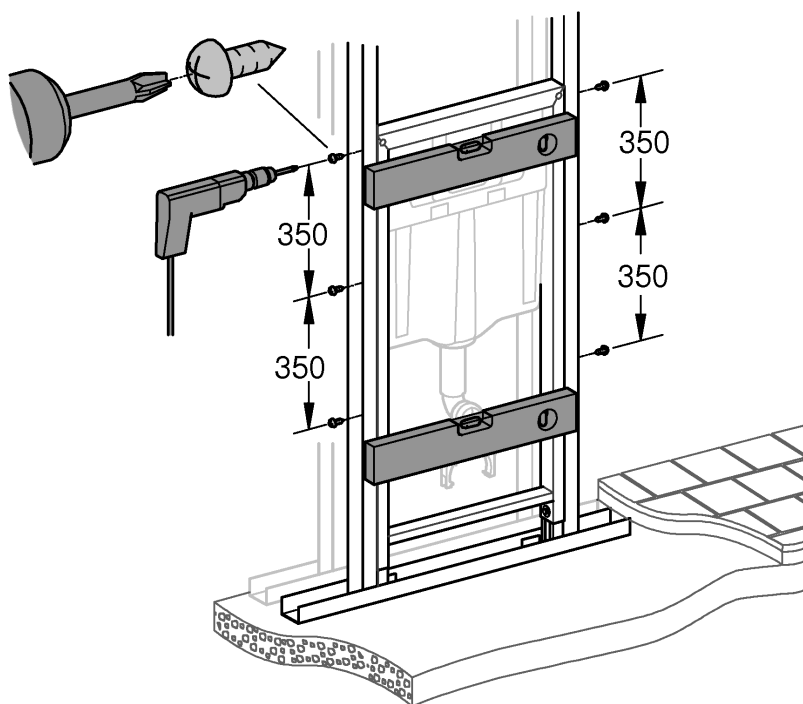
5



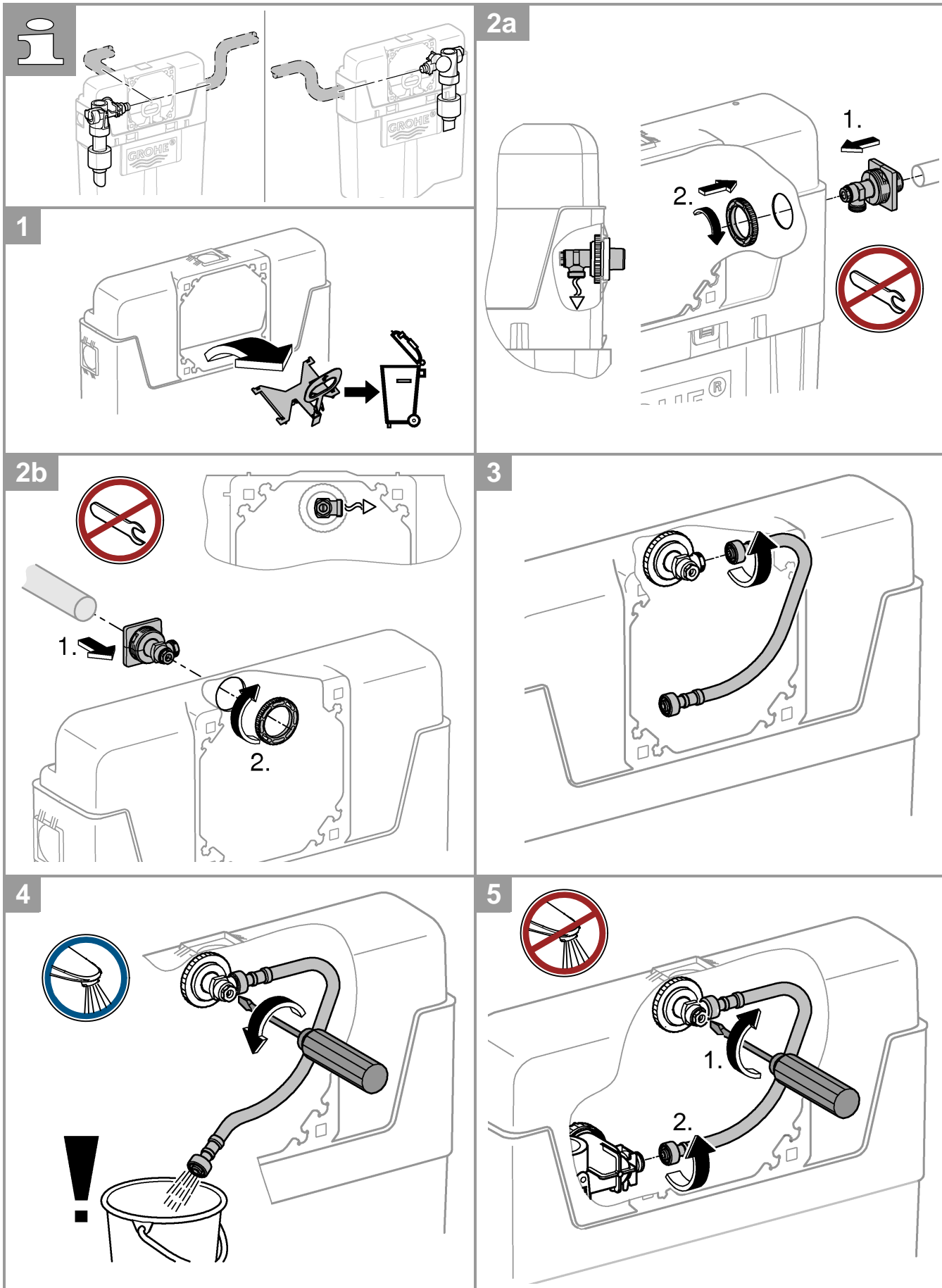
6



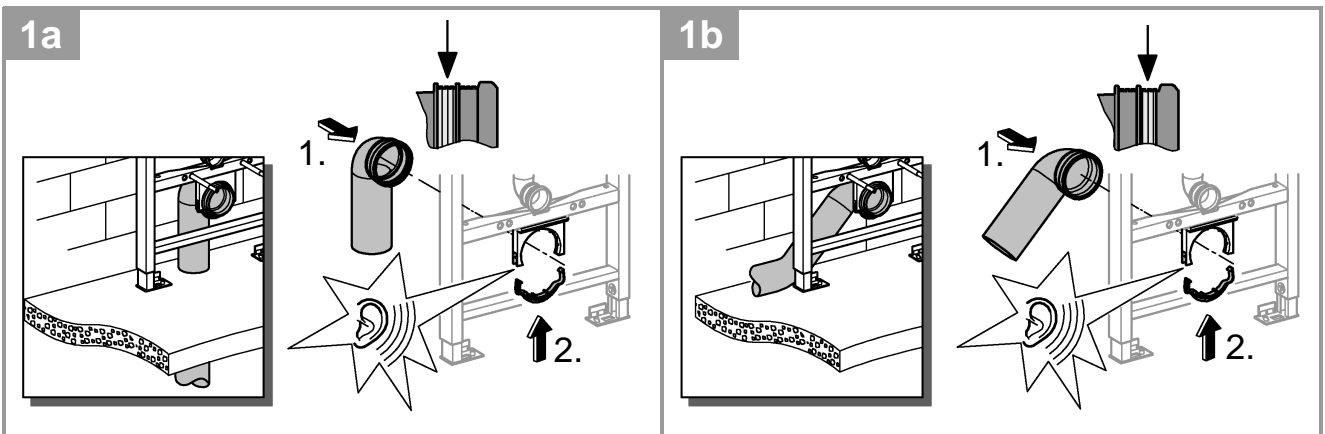
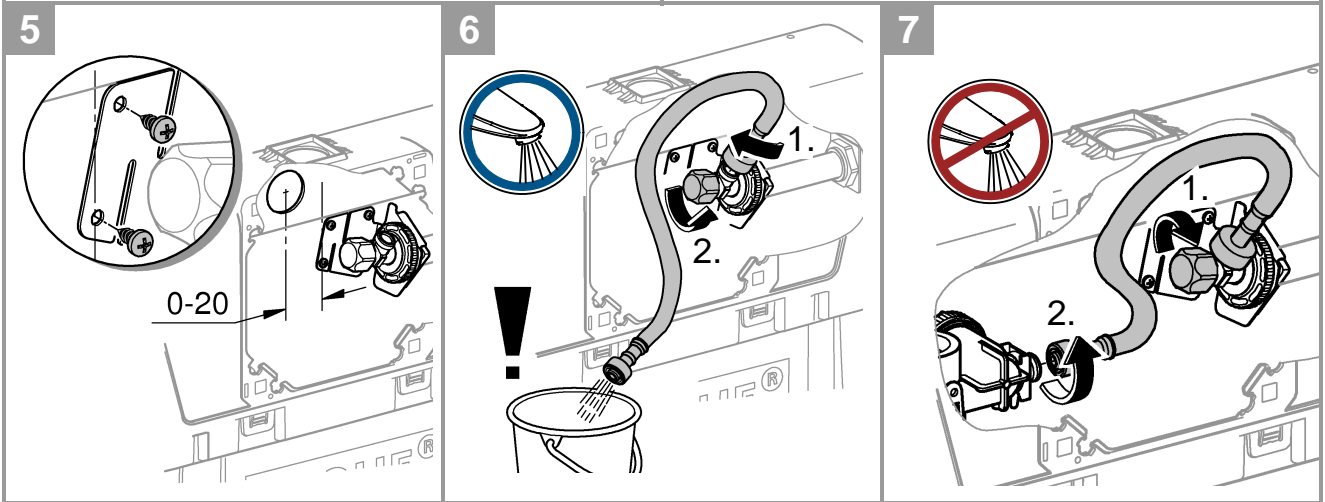
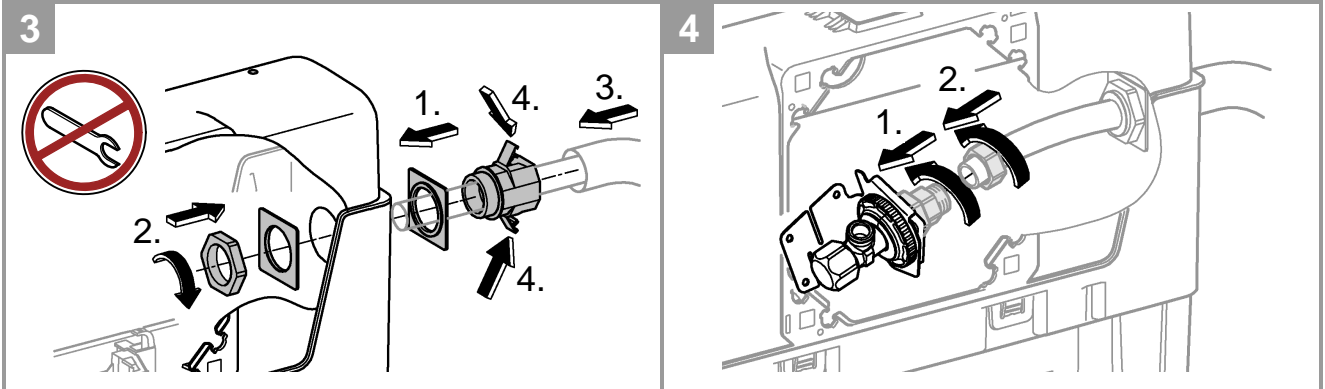
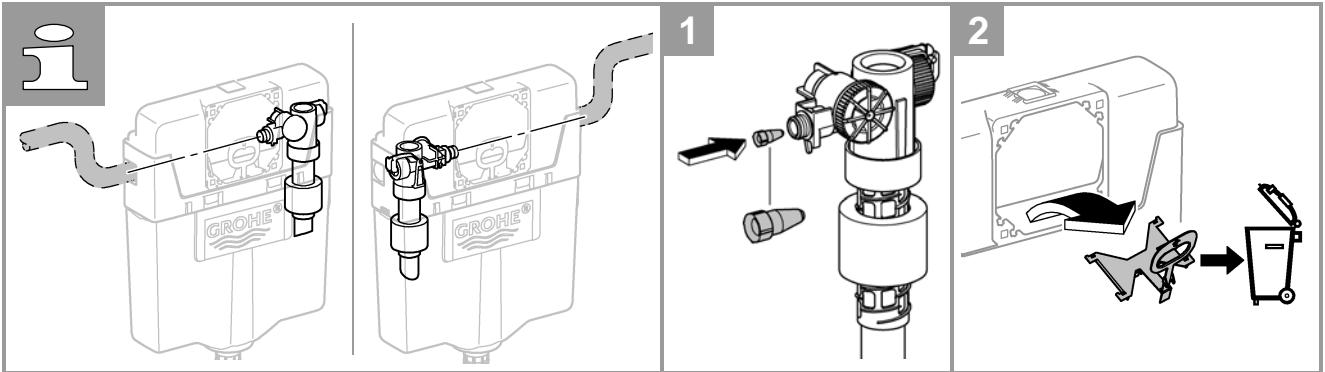
7



6

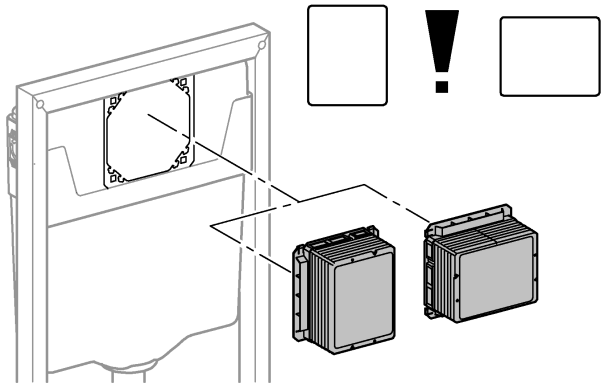
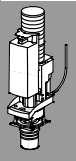




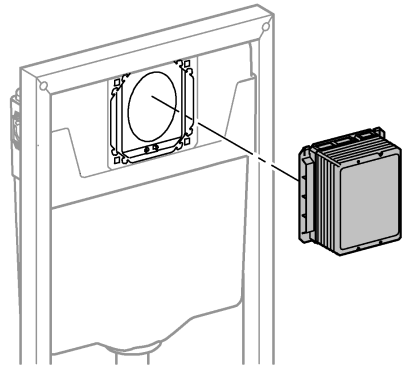




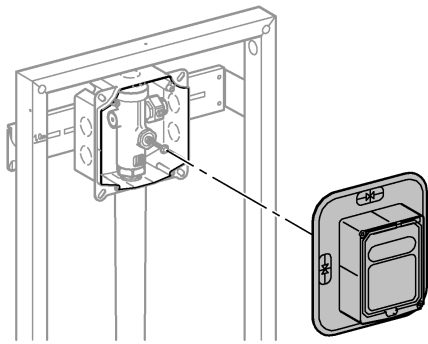
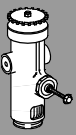
2a



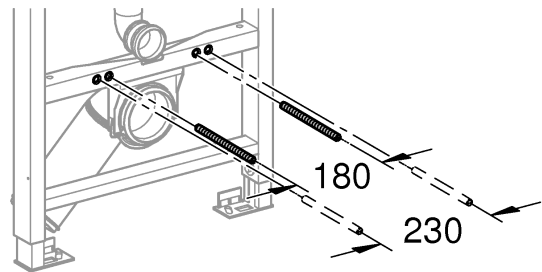
2b



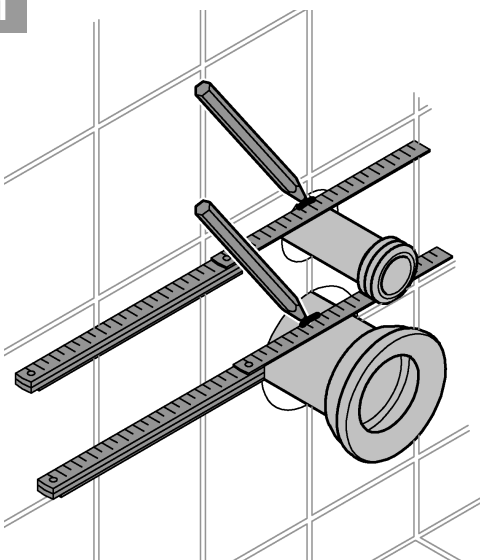
2c



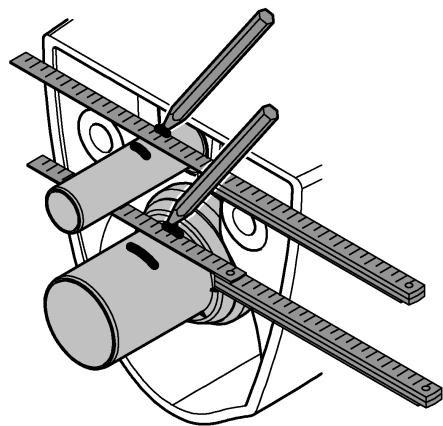
3



1

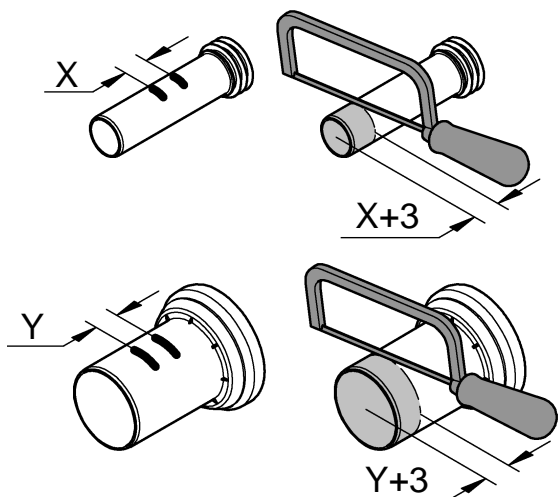


2

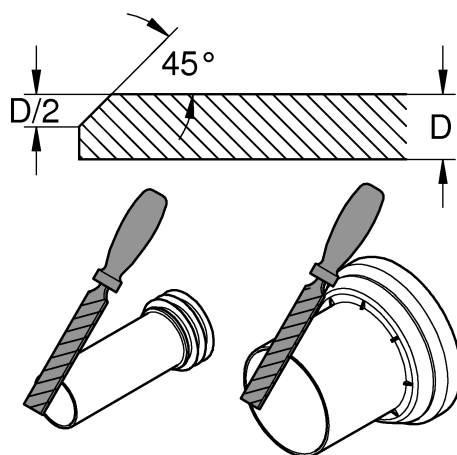




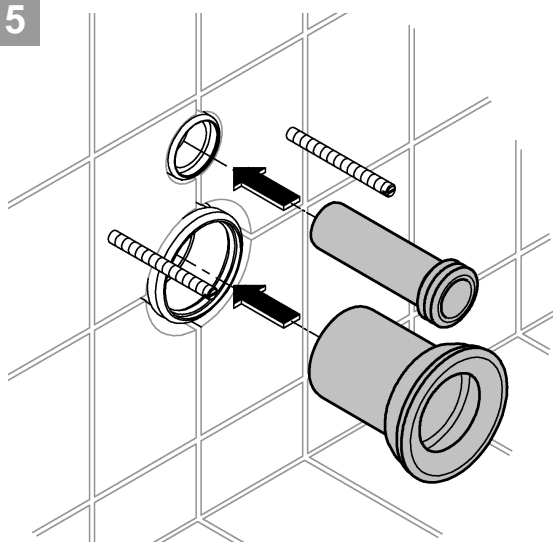
3



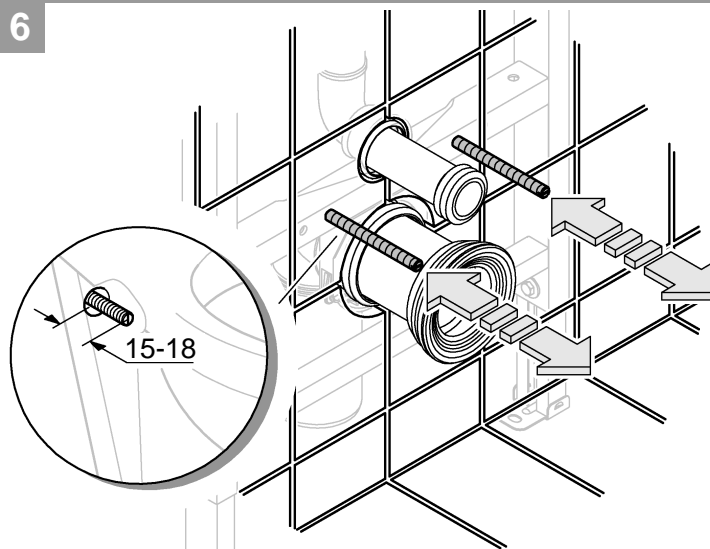
4



5



6



7

