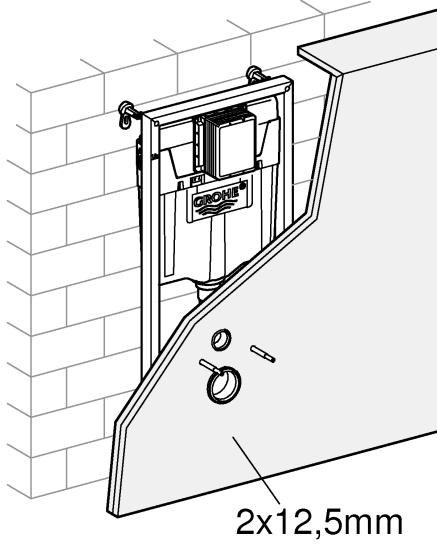
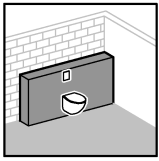




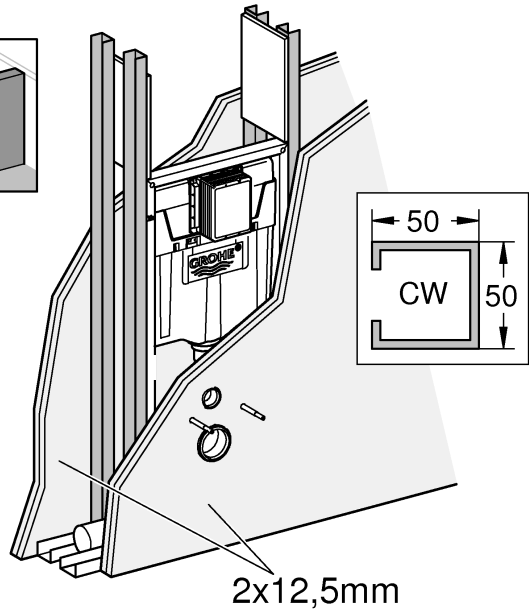
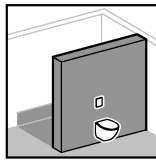


2 - 4



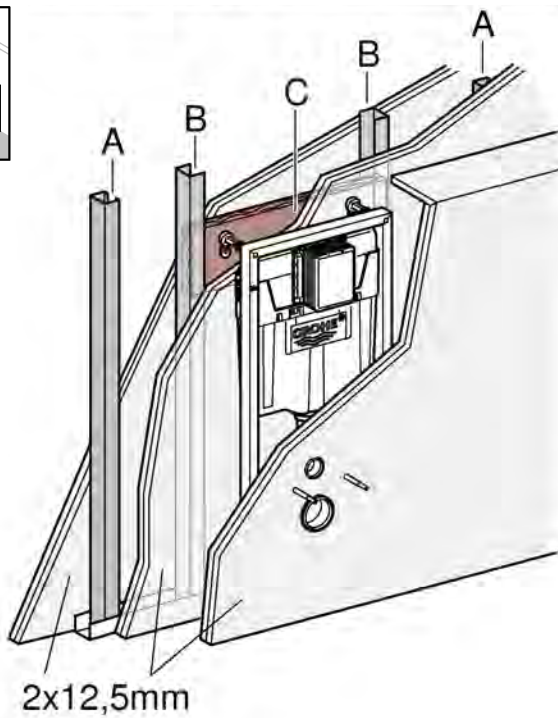
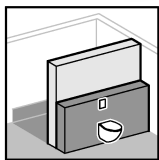
2x12,5mm

5 - 6



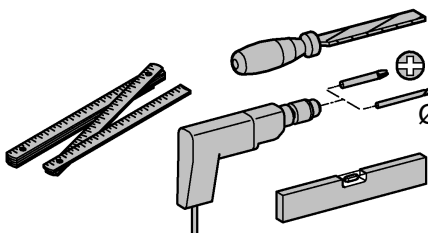
2x12,5mm

2 - 4

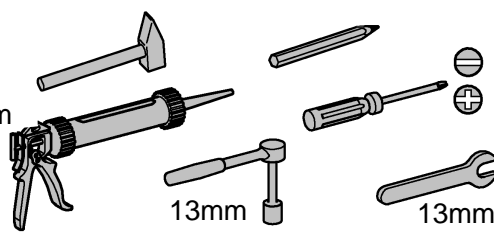


2x12,5mm

A	B	C
50x50x0,6	50x40x2	300x620x24
75x50x0,6	75x40x2	

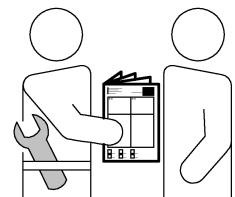


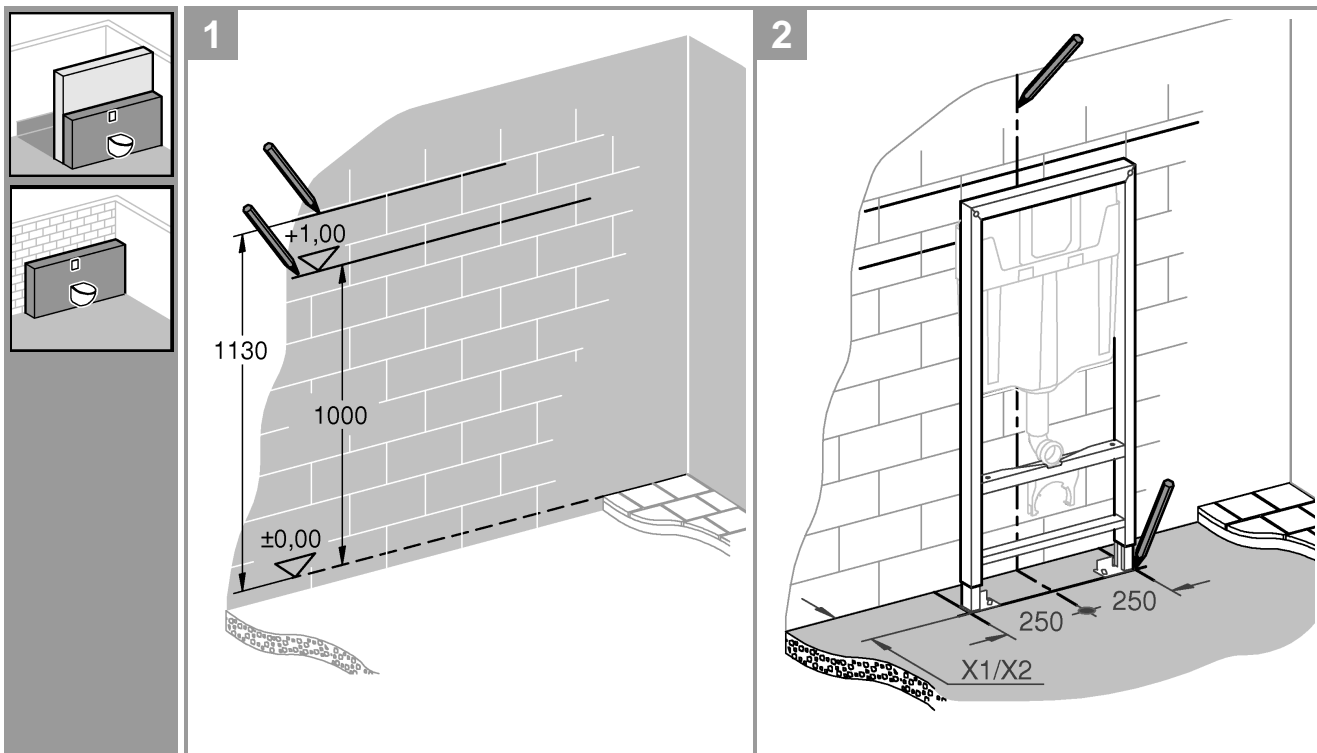
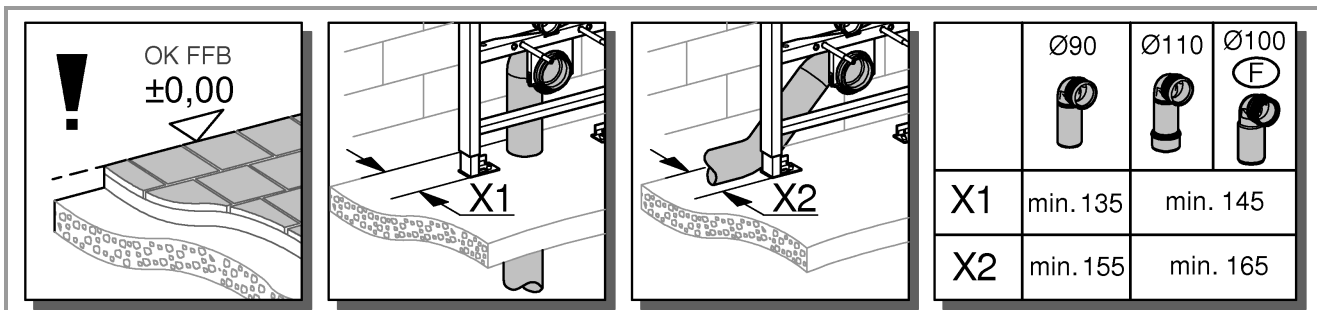
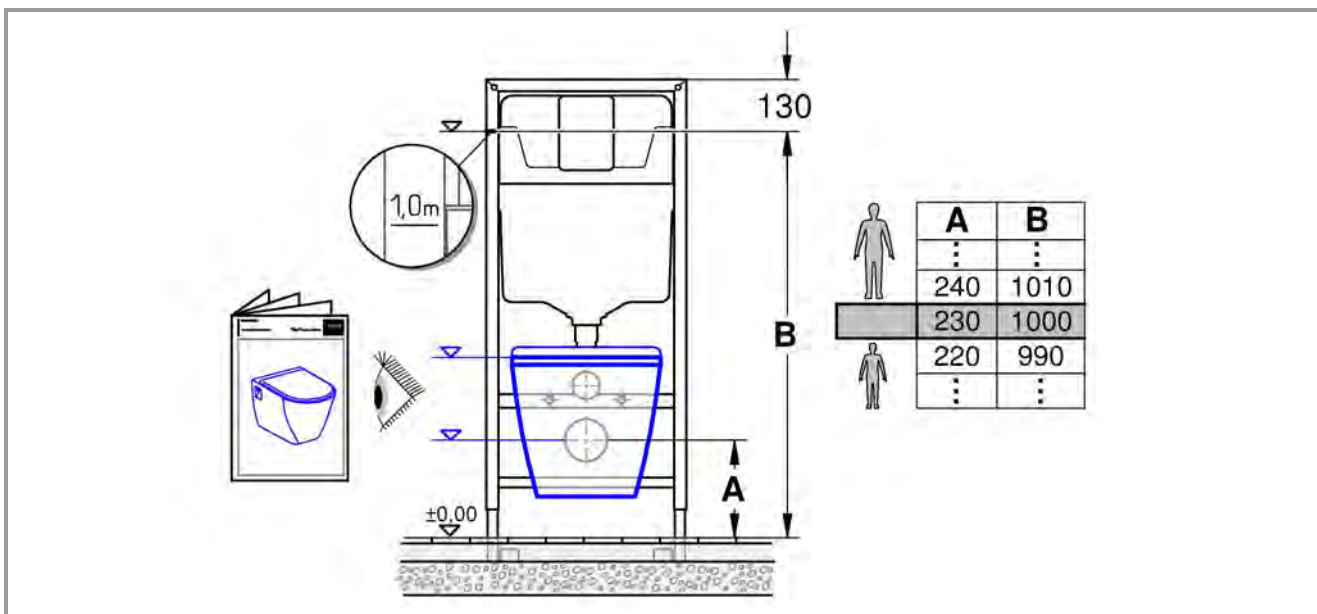
Ø10mm

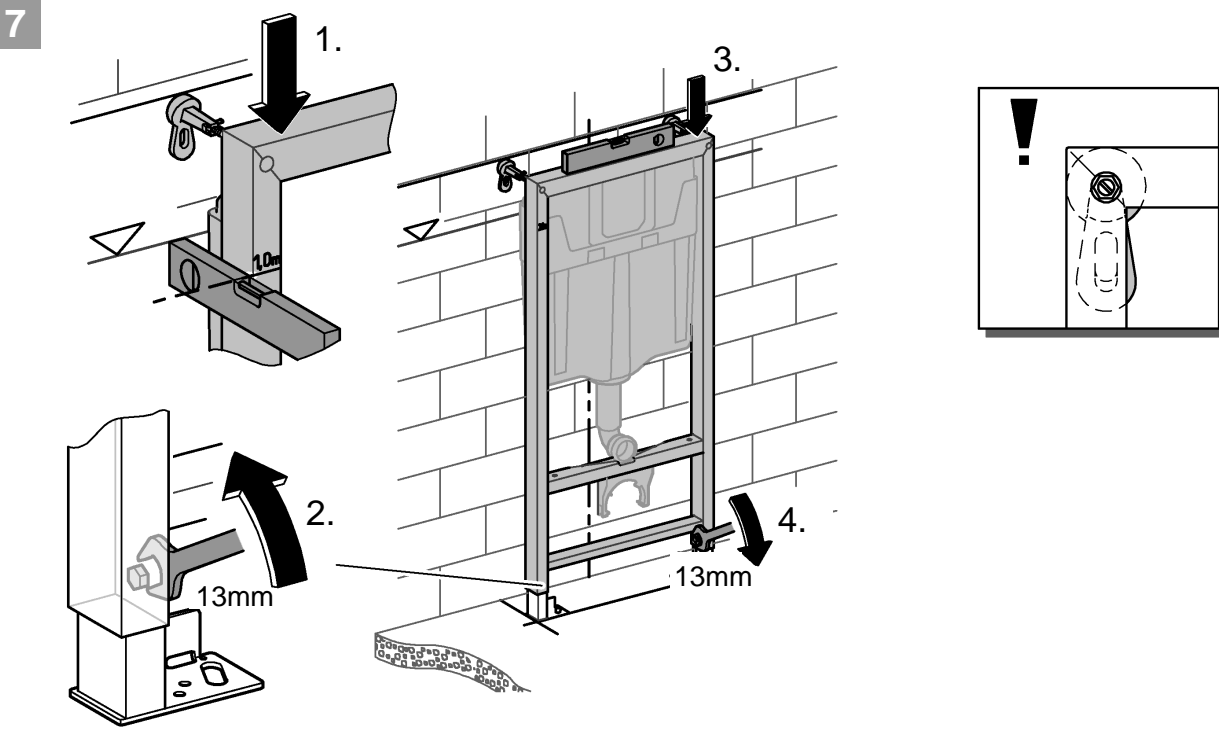
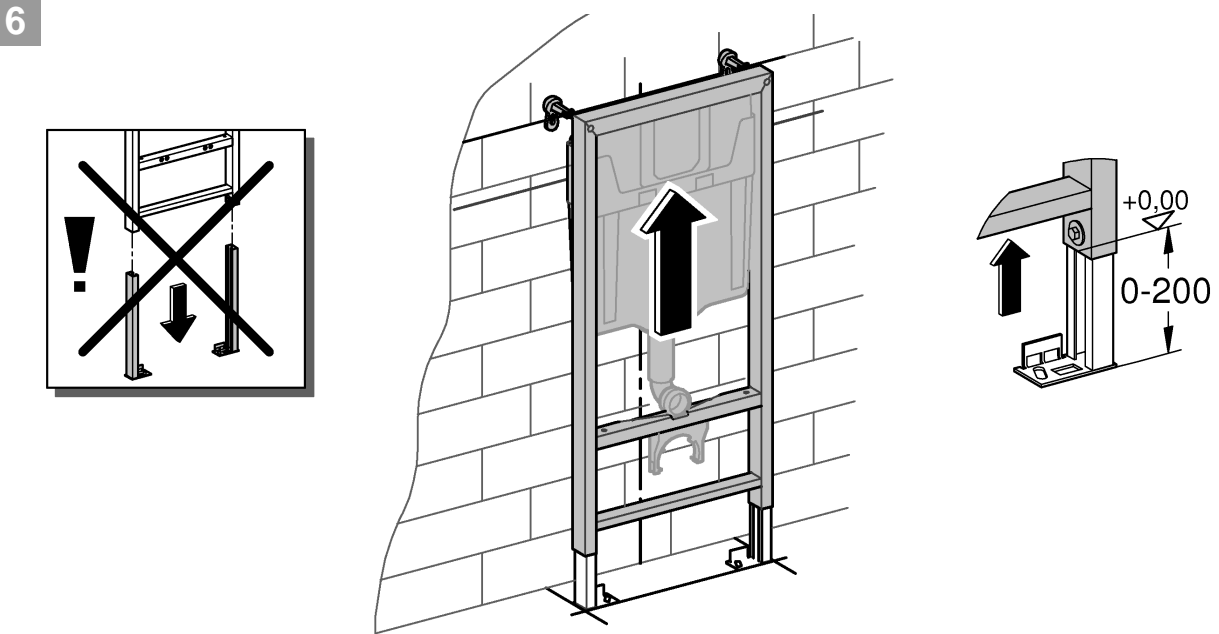
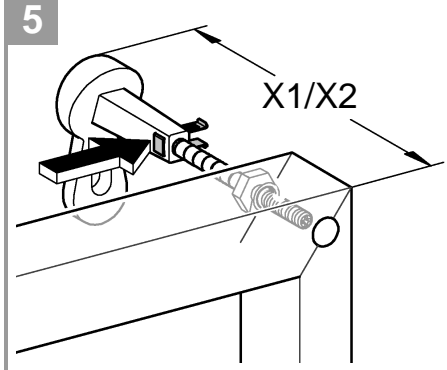
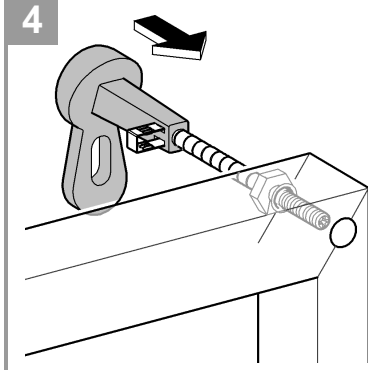
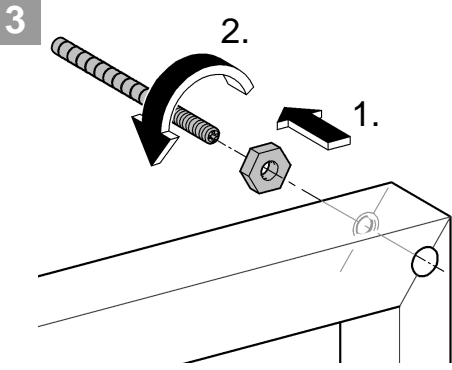


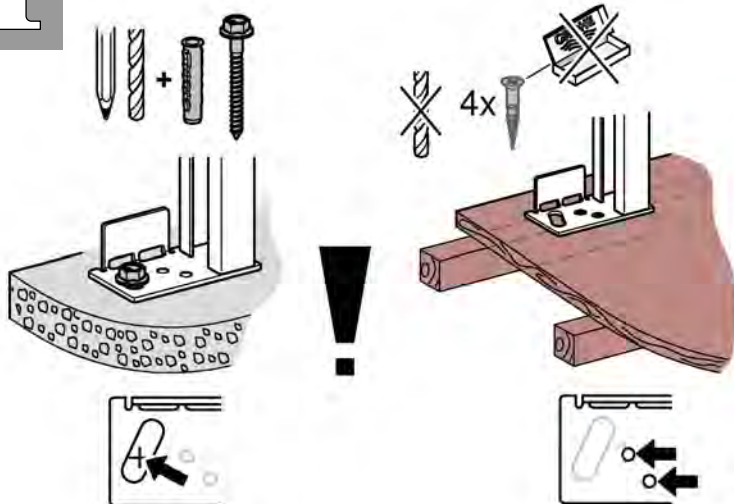
13mm

13mm

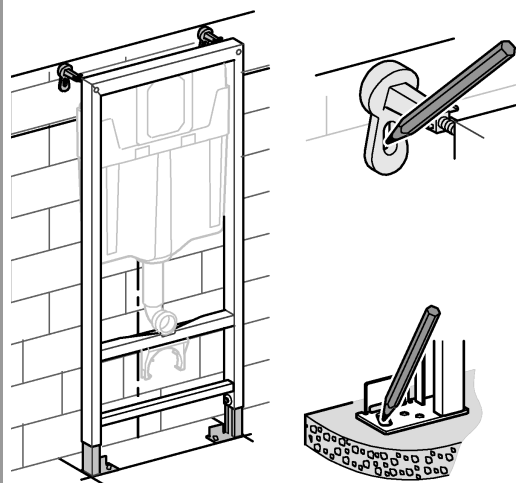




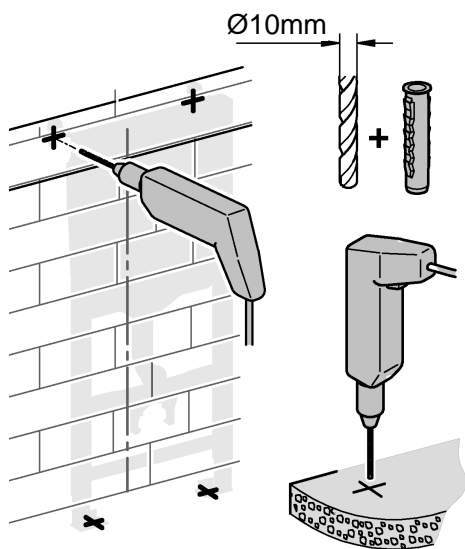




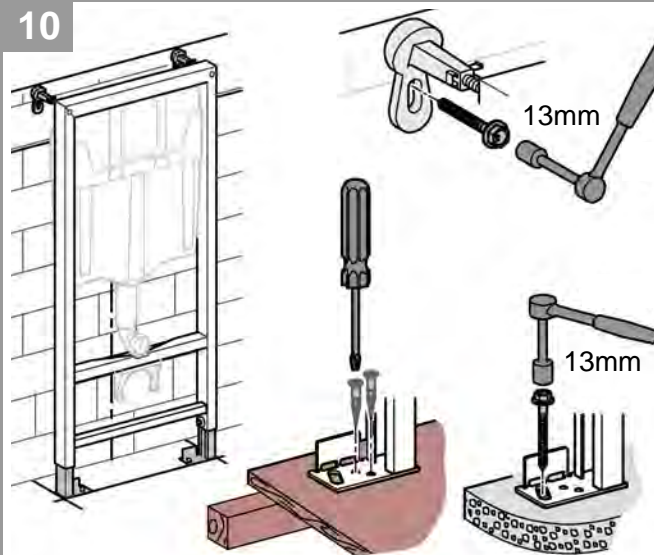
8



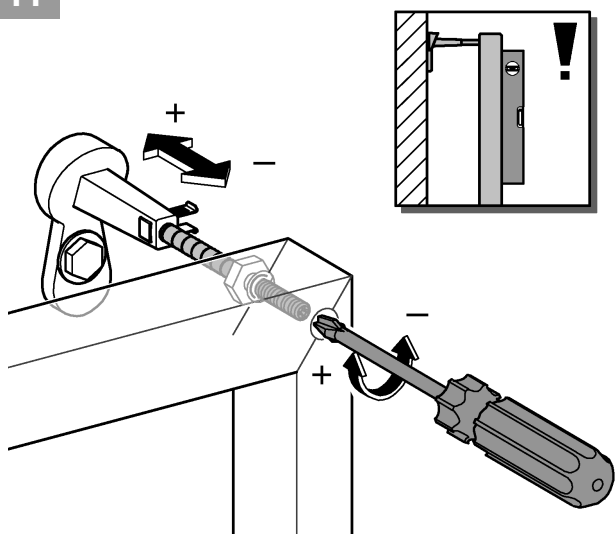
9



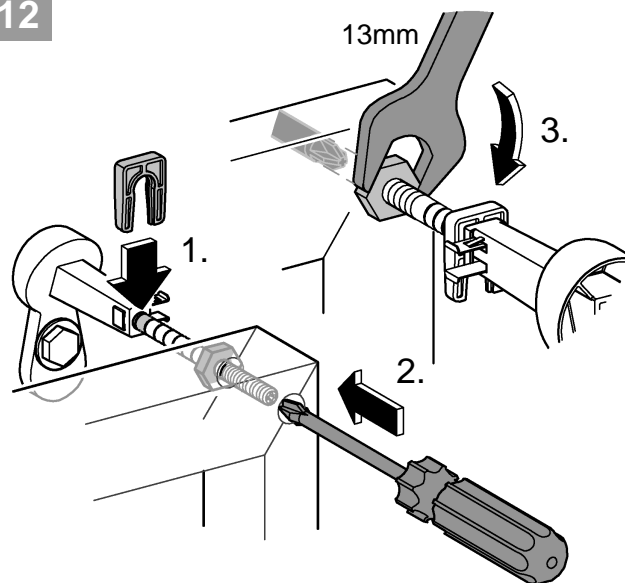
10

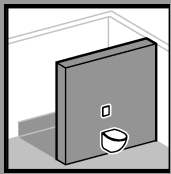


11

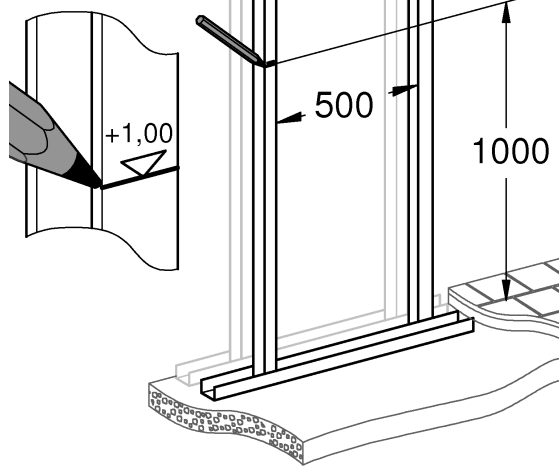


12

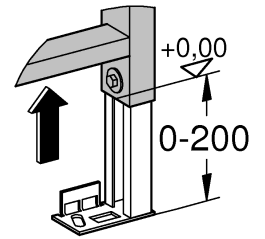
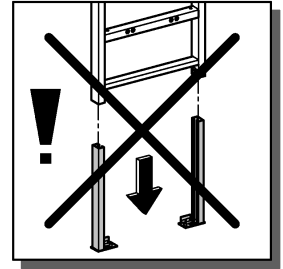
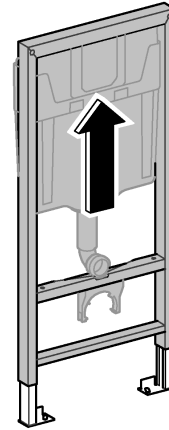




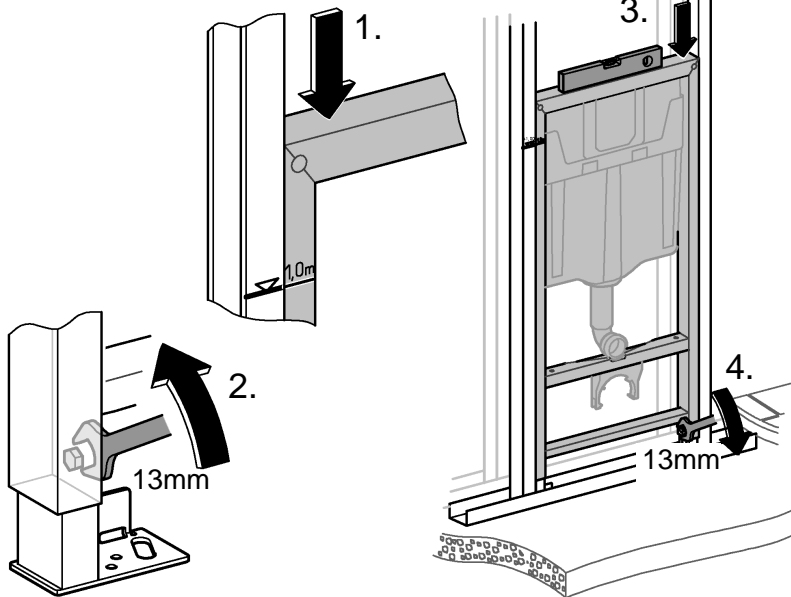
1



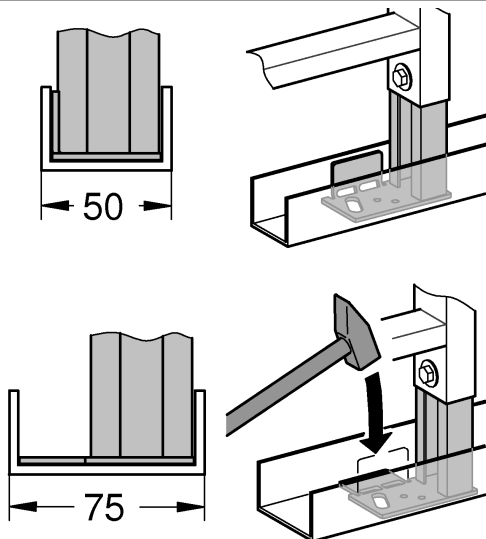
2



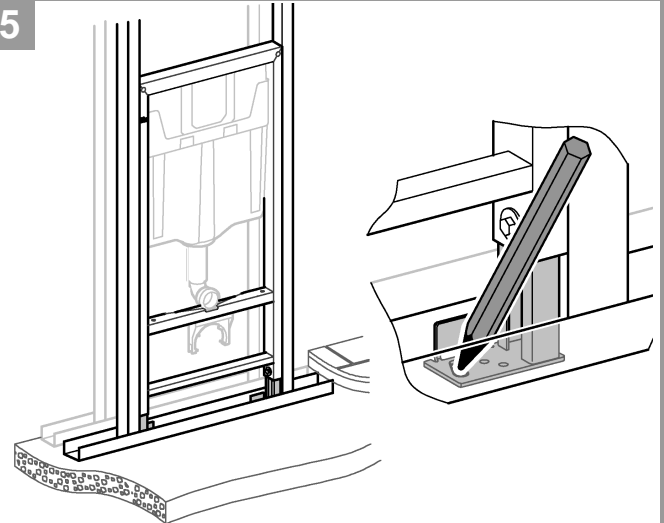
3



4



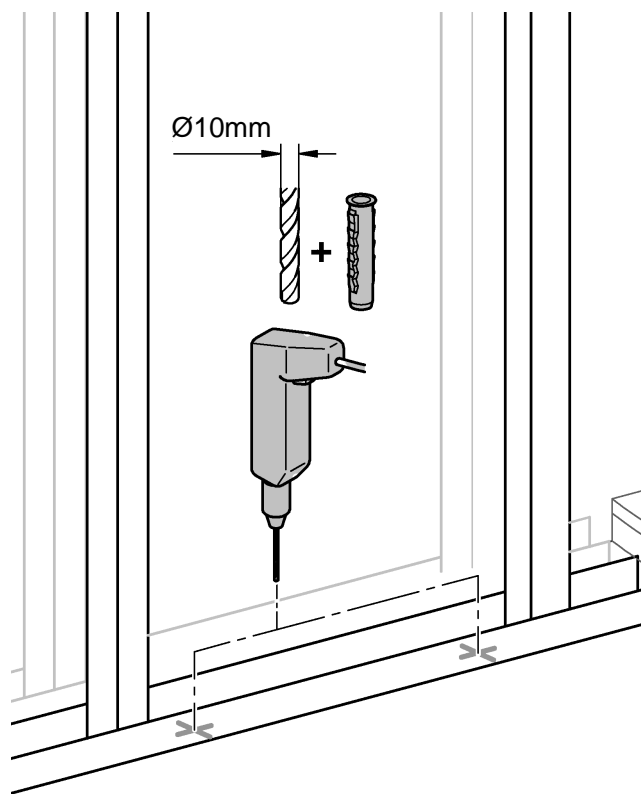
5



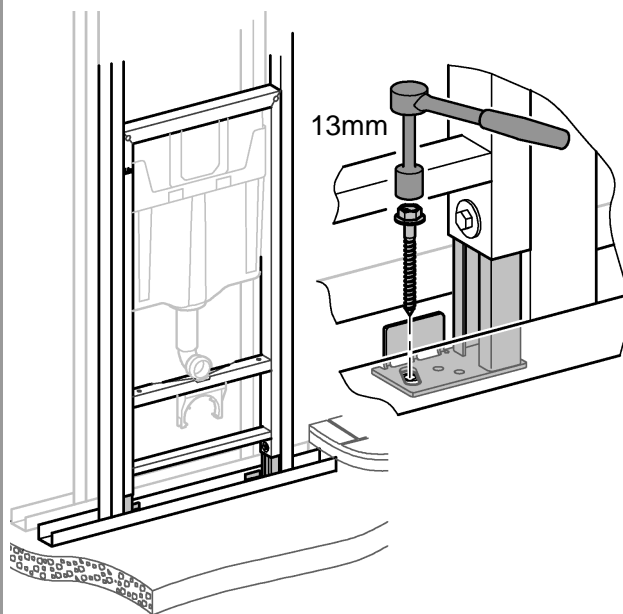
5



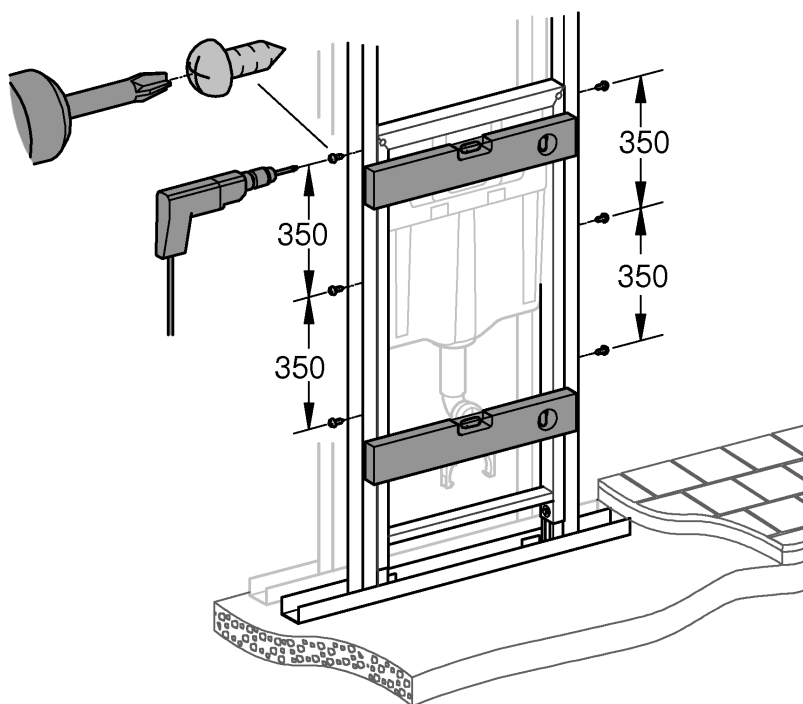
5



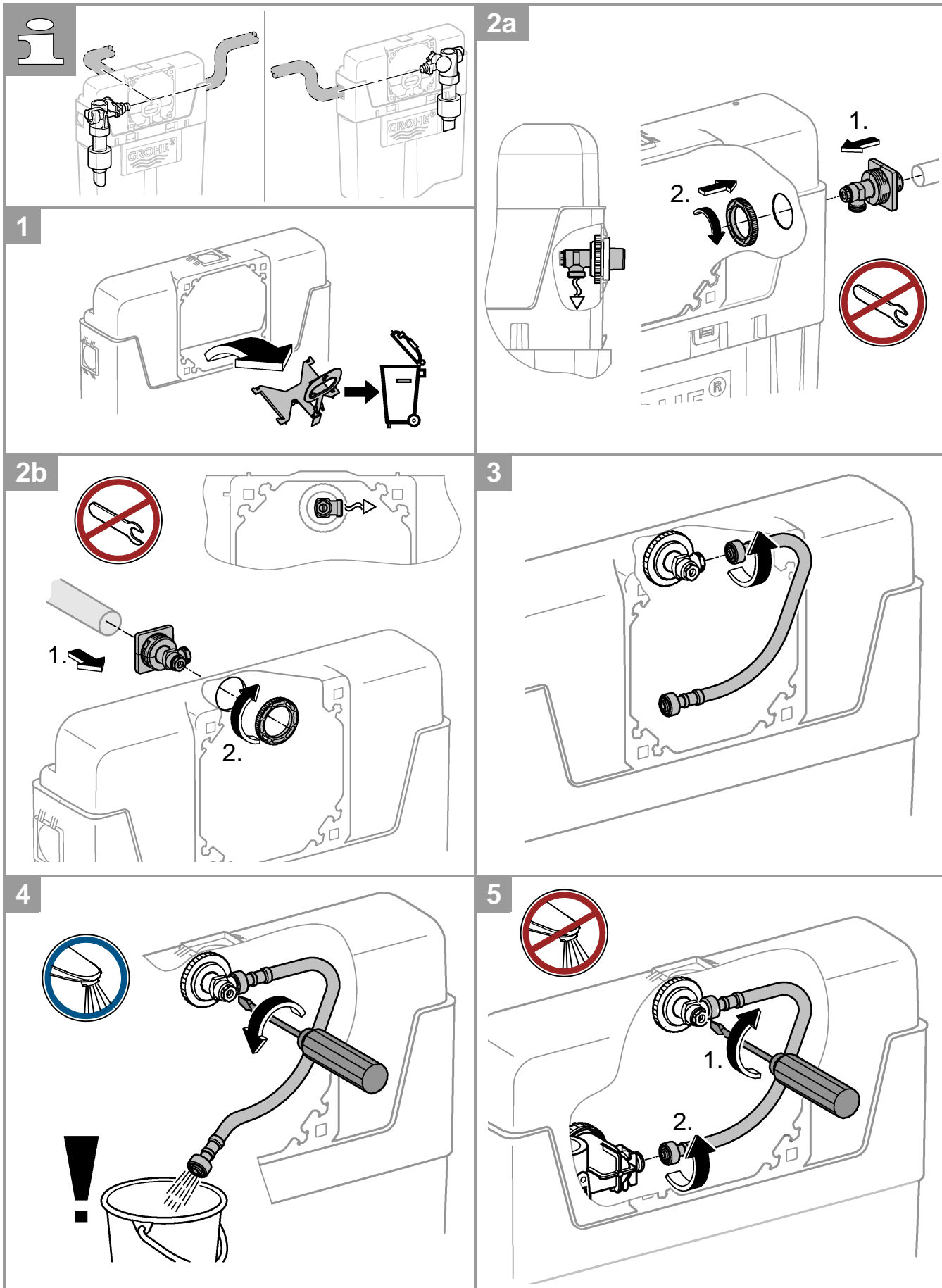
6



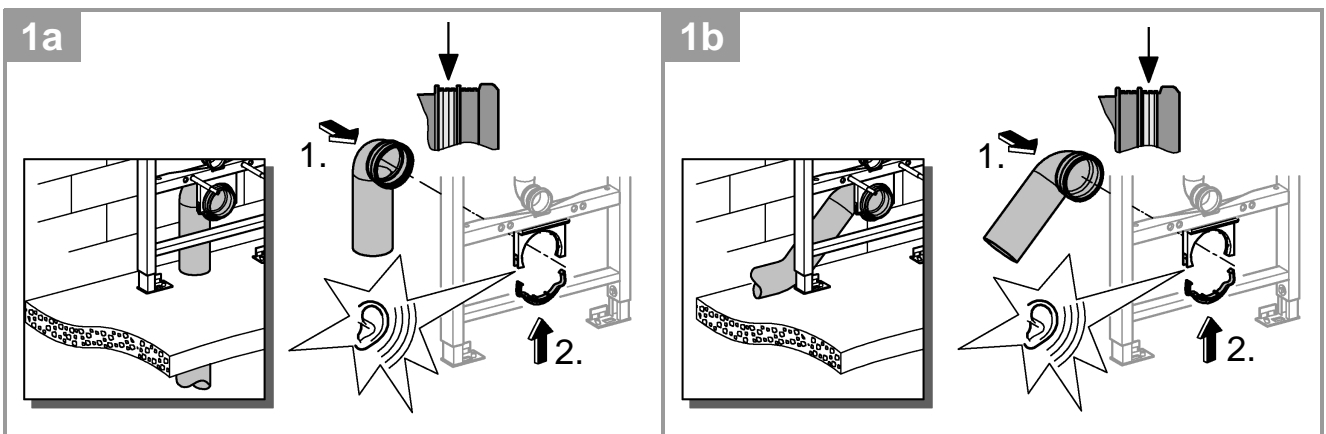
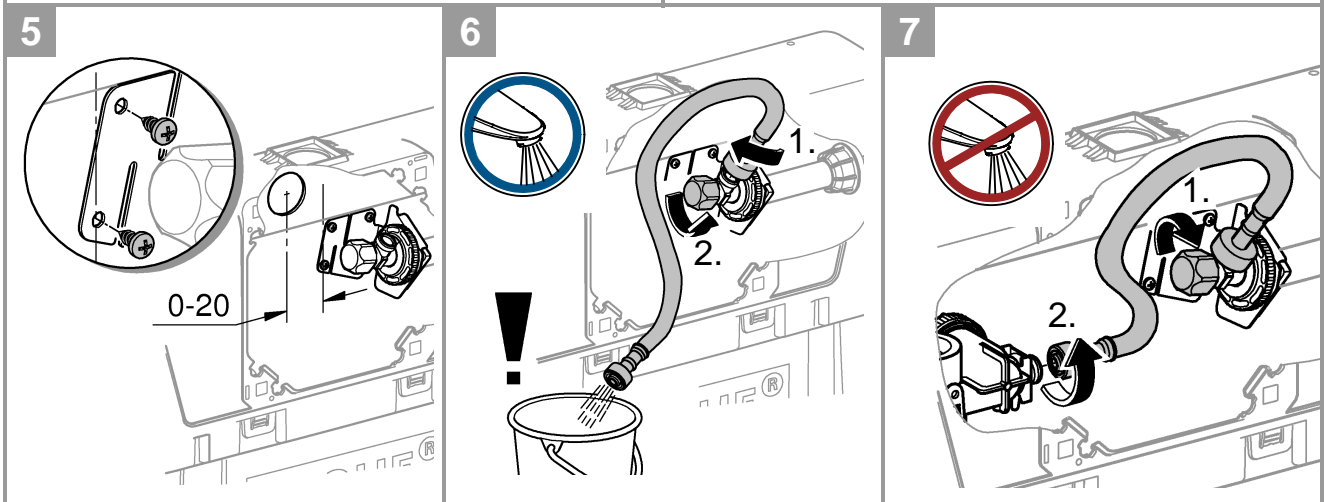
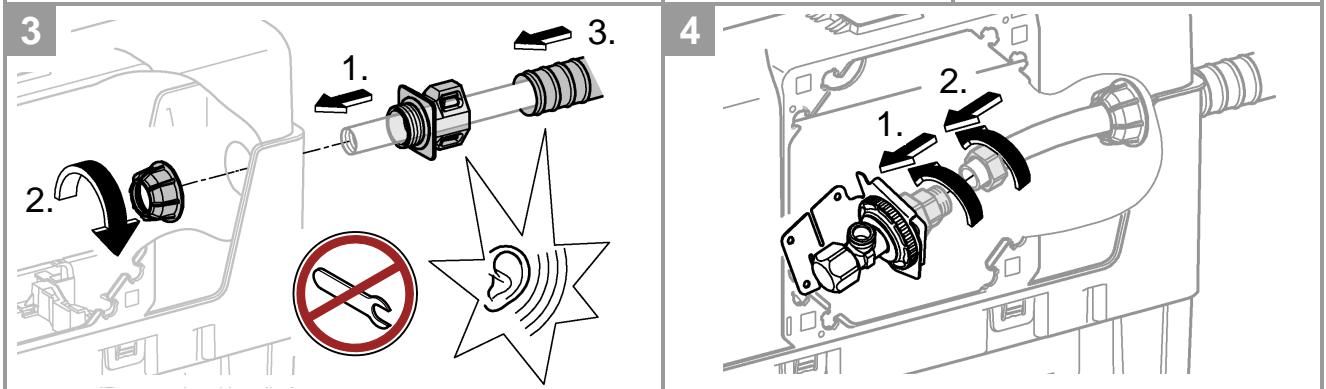
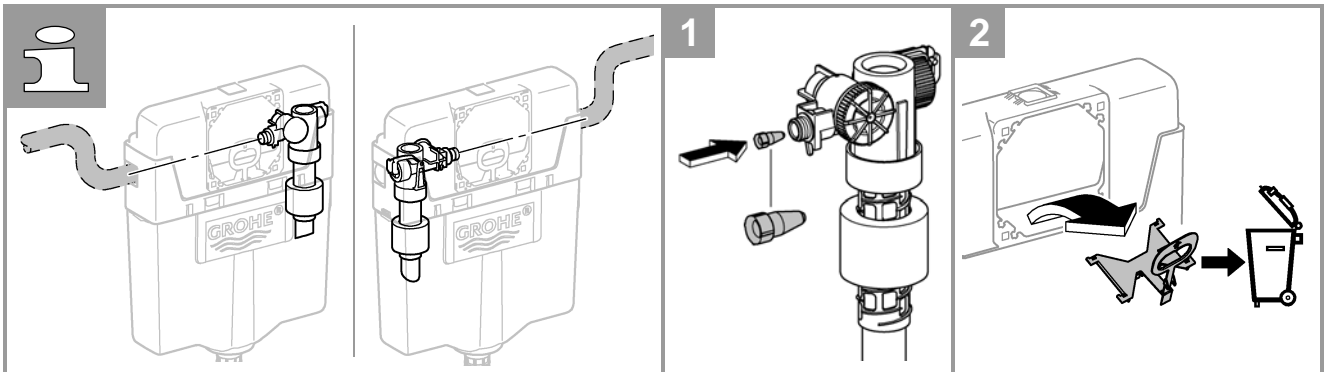
7



6

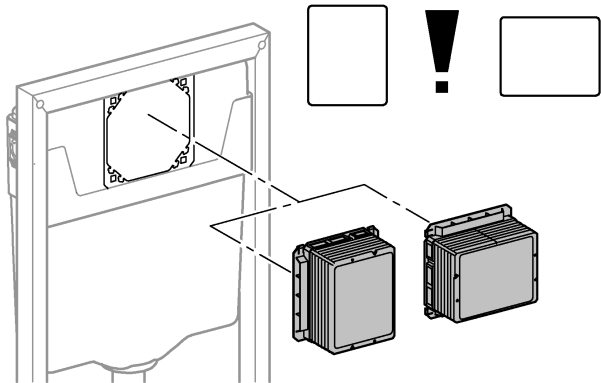
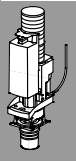




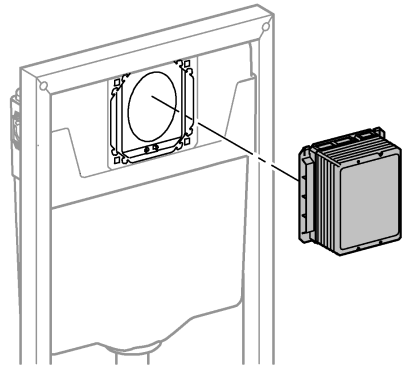




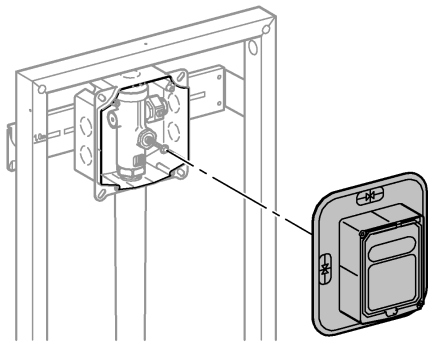
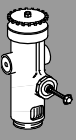
2a



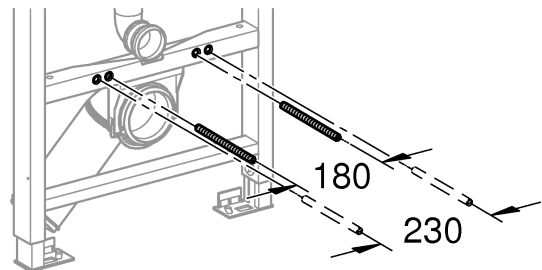
2b



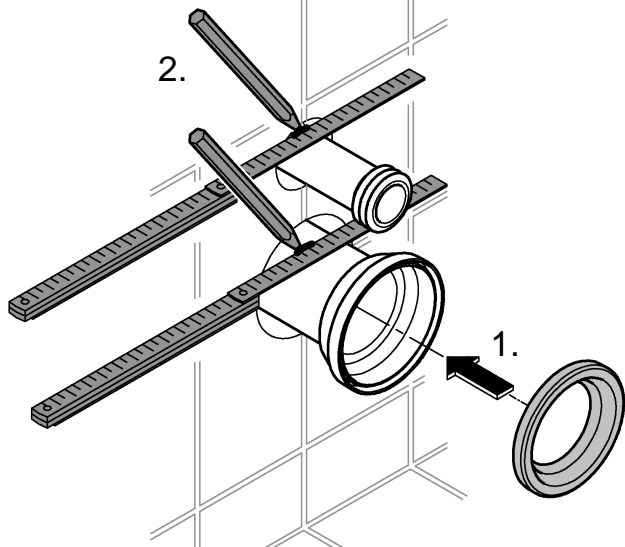
2c



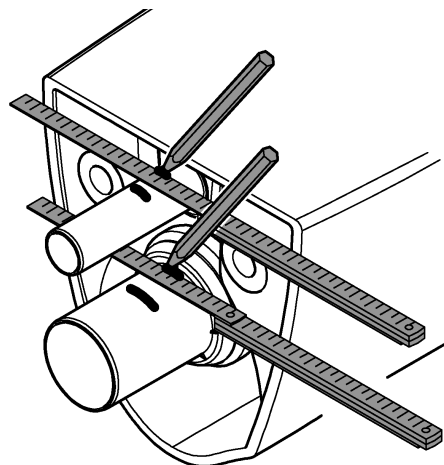
3



1

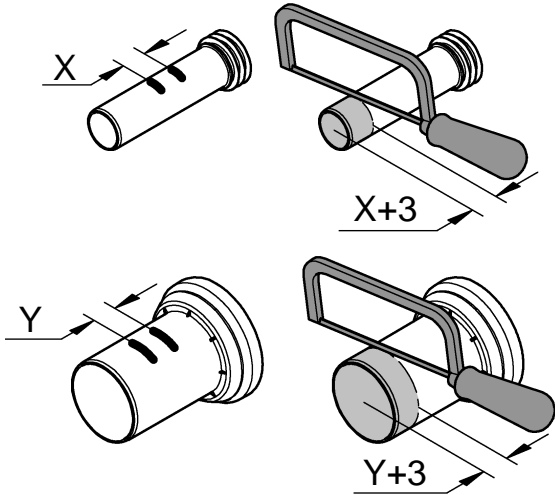


2

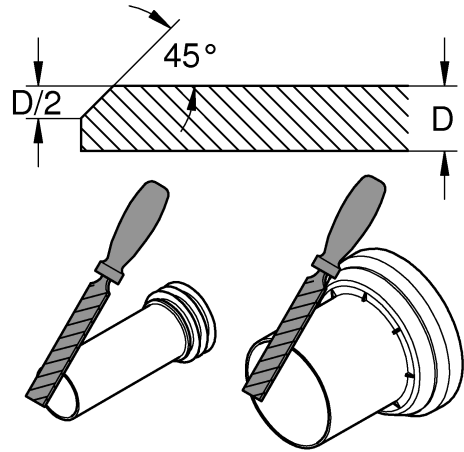




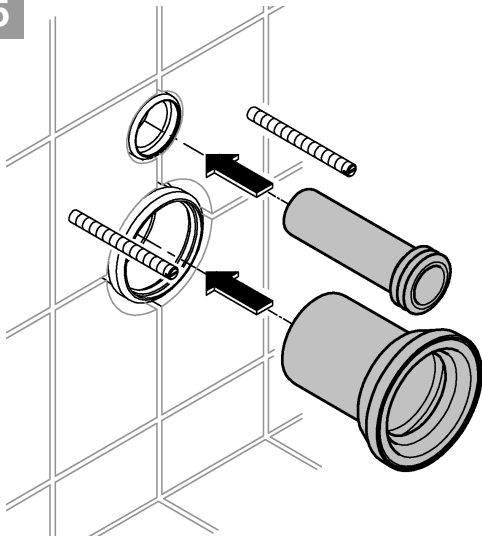
3



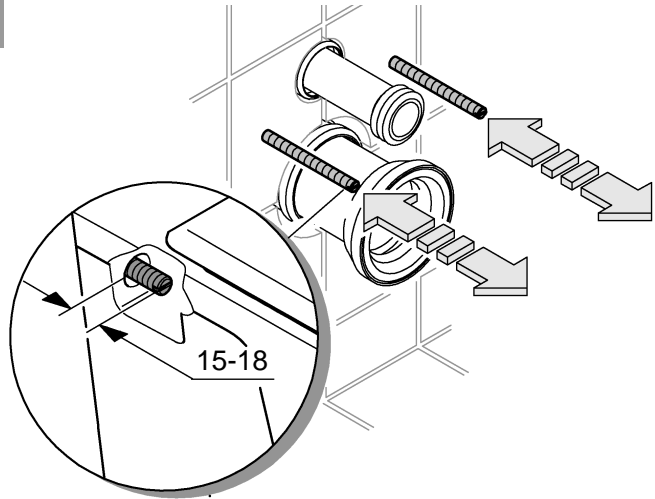
4



5



6



7

