



P.I.T.[®]

Progressive Innovational Technology



PRODUCT PASSPORT
USER'S MANUAL



ПАСПОРТ ИЗДЕЛИЯ
ИНСТРУКЦИЯ ПОЛЬЗОВАТЕЛЯ

CHARGE / START DEVICE ПУСКО-ЗАРЯДНОЕ УСТРОЙСТВО



EAC

PZU450-C1
PZU650-C1

PROGRESSIVE INNOVATIONAL TECHNOLOGY

ПРОГРЕССИВНЫЕ ИННОВАЦИОННЫЕ ТЕХНОЛОГИИ

TM.by
ONLINE STORE

<https://tm.by>
Интернет-магазин



GENERAL SAFETY PRECAUTIONS

The product contains elements and components that are energized by electric mains. It is strictly forbidden to work with removed side covers.

To work with the device are allowed persons who have been trained, instructed and tested knowledge of electrical safety requirements. Always wear safety glasses and gloves when charging the battery! High risk of injury from contact with aggressive acid.

To prevent sparks from forming as a result of electrostatic discharge, never wear clothing made of synthetic materials when charging the battery.

Dangerous! Explosive gases-Avoid the formation of flames and sparks; ensure proper ventilation of the mechanic shop or room in which the battery is charged.

The charging device contains components such as a switch and fuse that can cause the formation of arcs and sparks. Ensure adequate ventilation in the mechanic shop or room.

The charging device is designed for lead-acid batteries 12V and 24V.

Never use the device to charge non-chargeable batteries or defective batteries.

The device is designed for indoor use. When using outdoors, protect the device from rain.

Do not place the charging device on a heated surface.

Make sure that the ventilation openings are not clogged.

Do not charge multiple batteries at the same time using a parallel coupling; it is possible to charge several batteries of the same voltage using a series coupling. Do not short-circuit the charging device terminals.

The power cord and charging leads must be in good condition.

Do not allow children near the battery and charging device. **Dangerous!** If there is a strong smell of gas, there is a high risk of explosion. Disconnect the charging device clips, ventilate the room immediately, and contact customer service to check the battery.

Use the cable only for its intended purpose. Do not carry the device by the cable and never pull the cable to unplug the plug from the socket. Protect the cable from heat, oil and sharp edges.

Correctly identify the polarity, "+" indicated by a red color "-" is indicated by a black color

Careful! The battery fluid is very corrosive. If acid gets on skin or clothing, rinse immediately contact with water (for 15 minutes) and consult a doctor if necessary.

In case of failure of the fuse on the side of the charging device indicator, replace it with a fuse with the same ampere load.

The clamps must always be clean and protected against corrosion.

This charging device is not suitable for maintenance free batteries.

Always unplug the device from the power supply before carrying out maintenance work.

Use acid-resistant protective gloves and goggles when connecting and charging the battery, as well as when pouring acid or top up with distilled water. The device must be repaired only by in specialized technical service centers.

Disconnect the power supply before connecting or disconnecting the battery.

First, connect the "-" of the charging device that is not connected to the travel carriage. The "+" is connected to the "+" of the battery, and then the power supply is turned on. When charging is complete, disconnect the charging device from the power supply. Then unfasten the travel carriage and anode connections.

Vehicle manufacturers recommend that the battery be disconnected from the vehicle's electrical system before charging.

A power surge can damage electronic components. Therefore, it is recommended to disconnect the battery from the system when charging.

WARNING: ensure adequate ventilation during charging to avoid the risks of explosive gases, fire and sparks.

INTENDED USE

Designed for charge and startup of the vehicle lead-acid batteries. The device can restore a fully discharged battery.

With the device, you can quickly charge a discharged battery to the extent that it is possible to startup the engine from the battery. It is also possible to startup the vehicle engine with a completely dead battery.

EXPLANATION OF P.I.T. TRADEMARK

P.I.T. Progressive Innovational Technology

Currently, 10 kinds of mechanical and electrical equipment are produced under the P.I.T. trademark.

In terms of sales, charging devices occupy one of the leading positions.

Each letter and number in the designation of the P.I.T. model has the meaning.

For example, **PZU450-C**:

PZU450 – charging device

C – modification series

DECRYPTING THE DATE OF PRODUCTION OF THE PRODUCT

Date of manufacture of the product is encrypted in the serial number printed on the tool body

The first 2 digits indicate the year of manufacture, the next 2 digits - month and the following two digits – day

No.

17	07	30	0395
----	----	----	------

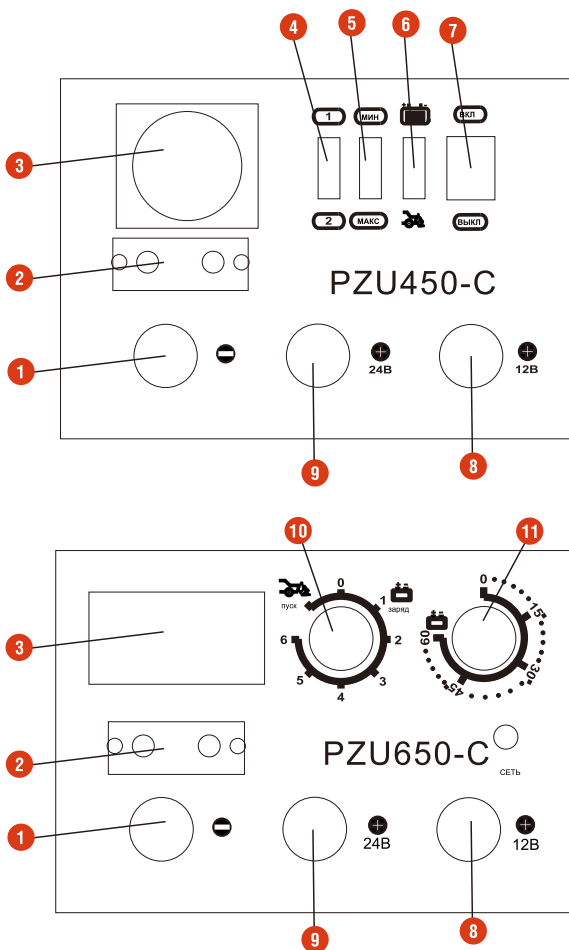
year month day

PRODUCT SPECIFICATIONS

	PZU450-C	PZU650-C
Mains voltage	220V/50Hz	220V/50Hz
Discharge rate (charging/startup)	1.4/8 kW	2.2/12 kW
Output voltage	12/24 V	12/24 V
Charging current (max)	40 A (12V) 70 A (24V)	60 A (12V) 100A (24V)
Startup current	300 A	480 A
Fuse rated current	16 A	20 A
Charging battery capacity	40-700 Ah	60-1,000 Ah
Weight	15.4 kg	23.7 kg

STANDARD SET

- Startup-charging device
- Operation manual

CONTROL PANEL OF THE STARTUP-CHARGING DEVICE


1. Terminal “-”
2. Output current fuse
3. Current meter
4. Charging current value switch
5. Normal charging/fast charging switch
6. Charging/startup switch

7. On/off control
8. Terminal “+” 12V
9. Terminal “+” 24V
10. Charging/startup switch and selection of charging current
11. Charging time selection switch

RULES OF OPERATION

Charging

To operate the device in charging mode, you should switch the “6” key to charging mode, the “5” key allows you to select the fast or normal charging mode. If you select the charging mode, the “4” key allows you to connect modes 1 and 2. When the startup mode is selected, the “5” and “6” keys are not used.

For PZU450-C

normal charging mode + 1 mode – charging current of 18 A;

normal charging mode + 2 mode – charging current of 26 A.

fast charging mode – charge current of 40A.

To operate the device in the charging mode for the model PZU650-C, you should set the switch “10” to the charging mode (positions 1-6).

position 1 – charging current of 15 A;

position 2 – charging current of 23 A;

position 3 – charging current of 31 A;

position 4 – charging current of 40 A;

position 5 – charging current of 50 A;

position 6 – charging current of 60 A.

For the positions 4, 5, 6 use the knob “11” you can select the charging time, from 0 to 60 minutes.

Engine startup

Before startup of the vehicle engine, make sure that the battery is well connected to the appropriate terminals and is in good condition (serviceable).

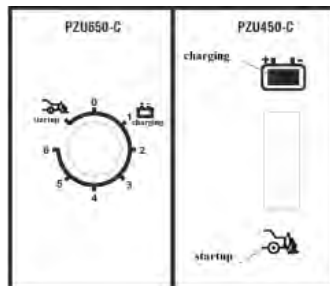
To startup, set the charging mode switch to “startup”. In this case, the terminal with the clip should be installed on the voltage (12 or 24 V) corresponding to the supply voltage of the vehicle being started.

Before you turn the startup key, you must hold fast charging for 5-10 minutes. This will greatly facilitate startup. Fast charging operation should only be performed when the device is in charging and not in startup position.

The supply current is indicated on the current meter scale.

Before startup operation, follow the vehicle manufacturer's recommendations.

In order to avoid device overheating, perform the startup operation strictly observing the cycles of operation/pause specified in the table on the device case. For example: startup mode 3 seconds, pause -120 seconds, no more than 5 cycles. Do not attempt any further startups if the vehicle engine does not start: the battery or electrical equipment of the vehicle may be seriously damaged.



MAINTENANCE

Attention! During maintenance, the charging device must be disconnected from the mains. Maintenance is carried out to extend the service life of the charging device. Maintaining the charging device in good technical condition rests with its owner. With a frequency of once a year necessary preventive work, this includes:

- Inspection of the charging device and the cables connected to it in order to detect their damage;
- Dust removal;
- Check the performance of all controls and protection of the charging device.

Attention! The use of abrasive materials, synthetic detergents, and chemical solvents can damage the surface of the case and the controls of the charging device. Liquids or foreign objects entering the charging device may cause for the charging device malfunction.

TERMS OF WARRANTY SERVICE

1. This Warranty Certificate is the only document that confirms your right to free warranty service. Without presenting this certificate, no claims are accepted. In case of loss or damage, the warranty certificate is not restored.

2. The warranty period for the electric machine is 12 months from the date of sale, during the warranty period the service department eliminates manufacturing defects and replaces parts that have failed due to the fault of the manufacturer free of charge. In the warranty repair, an equivalent operable product is not provided. Replaceable parts become property of service providers.

P.I.T is not liable for any damage that may be caused by operation of the electric machine.

3. Only clean tool accompanied with the following duly executed documents: this Warranty Certificate, Warranty Card, with all fields filled out, bearing the stamp of the trade organization and the signature of the buyer, shall be accepted for warranty repair.

4. Warranty repair is not performed in the following cases:

- in the absence of a Warranty Certificate and a Warranty Card or their incorrect execution;
- with failure of both a rotor and a stator of the electric engine, charring or melting of primary winding of the welding machine transformer, charging or starting-charging device, with internal parts melting, burn down of electronic circuit boards;
- if a Warranty Certificate or a Warranty Card does not correspond to this electric machine or to the form established by the supplier;
- upon expiration of the warranty period;
- at attempts of opening or repair of the electric machine outside the warranty workshop; making constructive changes and lubrication of the tool during the warranty period, as evidenced, for example, by the creases on the spline parts of the fasteners of non-rotational parts.
- when using electric tools for production or other purposes connected with making a profit, as well as in case of malfunctions related to instability of the power network parameters exceeding the norms established by GOST;
- in the events of improper operation (use the electric machine for other than intended purposes, attachments to the electric machine of attachments, accessories, etc. not provided by the manufacturer);
- with mechanical damage to the case, power cord and in case of damages caused by aggressive agents and high and low temperatures, ingress of foreign objects in the ventilation grids of the electric machine, as well as in case of damage resulting from improper storage (corrosion of metal parts);
- natural wear and tear on the parts of the electric machine, as a result of long-term operation (determined on the basis of the signs of full or partial depletion of the specified mean life, great contamination, presence of rust outside and inside the electric machine, waste lubricant in the gearbox);
- use of the tool the purposes for other than specified in the operating instructions.
- mechanical damages to the tool;
- in the event of damages due to non-observance of the operating conditions specified in the instruction (see chapter "Safety Precautions" of the Manual).

- damage to the product due to non-observance of the rules of storage and transportation.

Preventive maintenance of electric machines (cleaning, washing, lubrication, replacement of anthers, piston and sealing rings) during the warranty period is a paid service.

The service life of the product is determined by the manufacturer and is 2 years from the date of manufacture.

The owner is notified of any possible violations of the above terms of warranty service upon completion of diagnostics in the service center.

The owner of the tool entrusts the diagnostic procedure to be conducted in the service center in his absence.

Do not operate the electric machine when there are signs of excessive heat, sparking, or noise in the gearbox. To determine the cause of the malfunction, the buyer should contact the warranty service center.

Malfunctions caused by late replacement of carbon brushes of the engine are eliminated at the expense of the buyer.

5. The warranty does not cover:

- replacement accessories (accessories and components), for example: batteries, discs, blades, drill bits, borers, chucks, chains, sprockets, collet clamps, guide rails, tension and fastening elements, trimming device heads, base of grinding and belt sander machines, filters, etc.,
- fast wearing parts, for example: carbon brushes, drive belts, seals, protective covers, guiding rollers, guides, rubber seals, bearings, toothed belts and wheels, shanks, brake belts, starter ratchets and ropes, piston rings, etc. Their replacement during the warranty period is a paid service;
- power cords, in case of damage to the insulation, power cords are subject to mandatory replacement without the consent of the owner (paid service);
- tool case.

P.I.T. WARRANTY CERTIFICATE

Product Name _____

Place of seal _____

Product Number Serial Number

Sale Date _____

Trade Organization Name _____

Dear customer!

Thank you for purchasing the P.I.T tool, and we hope that you will be satisfied with your choice. In the process of manufacturing the P.I.T tools pass multilevel quality control, if nevertheless your product will need maintenance, please contact the authorized P.I.T service centers.

Attention!

When buying, ask a seller to check the completeness and operability of the tool, to fill out the Warranty Certificate, the Warranty Card (the boxes shall be filled out by a seller) and to affix the seal of the trade organization in the Guarantee Certificate and the Warranty Card.

Warranty

By this Warranty Certificate, P.I.T. company guarantees the absence of defects of the production nature.

In the event any of the above defects are detected during the warranty period, the specialized P.I.T. service centers shall repair the product and replace the defective spare parts free of charge.

The warranty period for P.I.T. electric machines is 12 months from the date of sale.

“The warranty maintenance terms acknowledged and accepted. The operability and completeness of the product are checked in my presence. No claims on quality and appearance.”

Buyer's Signature _____ Surname (legibly) _____

Phone _____

Поздравляем Вас!

Вы выбрали электроинструмент компании P.I.T. Все наши технические разработки, опыт производства и постоянная модернизация инструментов делают электроинструмент P.I.T. надежным помощником в решении Ваших строительных задач.

Благодарим Вас за этот выбор!

ОБЩИЕ МЕРЫ БЕЗОПАСНОСТИ

Изделие содержит элементы и узлы, находящиеся под напряжением питающей сети. Категорически запрещается работать при снятых боковых обшивках.

К работе с аппаратом допускаются лица, прошедшие обучение, инструктаж и проверку знаний требований электробезопасности.

При зарядке аккумулятора обязательно надевайте защитные очки и перчатки! Высокий риск получения травм в результате контакта с агрессивной кислотой.

Чтобы предотвратить искробразование в результате электростатического разряда, никогда не надевайте одежду из синтетических материалов при зарядке аккумулятора.

Опасно! Взрывоопасные газы – Не допускайте образования пламени и искр, обеспечьте надлежащую вентиляцию гаража или помещения, в котором заряжается аккумулятор.

В зарядном устройстве присутствуют компоненты, такие как выключатель и предохранитель, которые могут вызывать образование дуги и искр. Обеспечьте надлежащую вентиляцию в гараже или помещении.

Зарядное устройство предназначено для свинцово-кислотных аккумуляторов 12В и 24В.

Никогда не используйте устройство для зарядки не заряжаемых аккумуляторов или бракованных аккумуляторов.

Устройство предназначено для использования в помещении. При использовании вне помещения защитите устройство от дождя.

Не устанавливайте зарядное устройство на нагреваемую поверхность.

Следите за тем, чтобы не засорились вентиляционные отверстия.

Не заряжайте несколько аккумуляторов одновременно используя параллельное соединение, возможно зарядка нескольких АКБ одинакового вольтажа используя последовательное соединение.

Не допускайте короткого замыкания в зажимах зарядного устройства.

Кабель питания и зарядные выводы должны быть в исправном состоянии.

Не допускайте нахождения детей рядом с аккумулятором и зарядным устройством. Опасно! При наличии сильного запаха газа существует высокий риск взрыва. Отсоедините зажимы зарядного устройства, немедленно проветрите помещение, обратитесь в сервисную службу для проверки аккумулятора.

Используйте кабель исключительно по назначению. Не переносите устройство за кабель и никогда не тяните кабель, чтобы отключить штекер из розетки. Защитите кабель от воздействия тепла, масла и острых краев.

Правильно определяйте полярность, «+» обозначается красным цветом «-» обозначается черным цветом

Осторожно! Аккумуляторная жидкость очень едкая. При попадании кислоты на кожу или одежду немедленно промойте место попадания водой (в течение 15 минут) и обратитесь к врачу, при необходимости.

В случае неисправности предохранителя со стороны индикатора зарядного устройства, замените его на предохранитель с такой же амперной нагрузкой.

Зажимы должны быть всегда чистыми и защищены от коррозии.

Данное зарядное устройство не подходит для необслуживаемых аккумуляторов.

Перед проведением работ по техническому обслуживанию всегда отключайте устройство от сети питания.

Используйте кислотостойкие защитные перчатки и очки при подключении и зарядке аккумулятора, а также, когда заливаете кислоту или доливаете дистиллированную воду. Ремонт устройства должен выполнять только в специализированных сервисных центрах

Отключите источник питания, прежде чем подсоединять или отсоединять аккумулятор.

Сначала следует подключать «-» зарядного устройства, не подключенный к ходовой части. «+» подсоединяется к «+» аккумулятора, а затем включается источник питания. По окончании зарядки отсоедините зарядное устройство от сети питания. Затем отсоедините клемму «-» от клеммы аккумулятора или корпуса автомобиля и после отсоедините клемму «+».

Производители автомобилей рекомендуют перед зарядкой отсоединить аккумулятор от электрической системы транспортного средства

Скачок напряжения может повредить электронные компоненты. Поэтому рекомендуется при зарядке отсоединить аккумулятор от системы.

ПРЕДУПРЕЖДЕНИЕ: Обеспечьте надлежащую вентиляцию на время зарядки во избежание рисков, связанных со взрывоопасными газами, возгоранием и образованием искр.



НАЗНАЧЕНИЕ

Предназначены для зарядки и запуска автомобильных свинцово-кислотных аккумуляторов. Устройство может восстановить полностью разряженную аккумуляторную батарею. При помощи устройства можно быстро зарядить разряженный аккумулятор до степени, когда станет возможен запуск двигателя от аккумулятора. Также можно осуществить запуск двигателя автомобиля с полностью севшей батареей.

РАСШИФРОВКА ТОРГОВОЙ МАРКИ P.I.T.

P.I.T.® Progressive Innovational Technology

(Прогрессивные Инновационные Технологии)

В настоящее время под маркой P.I.T. выпускается механическое и электрическое оборудование 10 видов.

По объему продаж зарядные устройства занимают одно из лидирующих мест.

Каждая буква и цифра в обозначении модели P.I.T. имеет значение.

Например, **PZU450-C**

PZU450 – зарядное устройство

C – серия модификации

РАСШИФРОВКА ДАТЫ ИЗГОТОВЛЕНИЯ ИЗДЕЛИЯ

Дата изготовления изделия зашифрована в серийном номере, напечатанном на корпусе инструмента. Первые 2 цифры обозначают год выпуска, следующие 2 цифры – месяц и следующие 2 цифры – день

№.

1	7	0	7	3	0	0	3	9	5
---	---	---	---	---	---	---	---	---	---

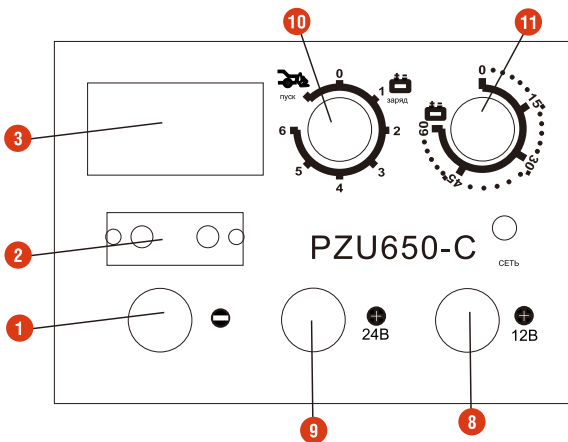
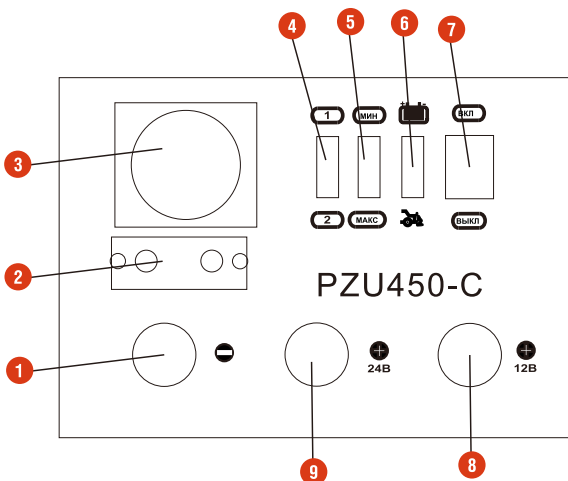
год
месяц
день

ТЕХНИЧЕСКИЕ ХАРАКТЕРИСТИКИ

	PZU450-C	PZU650-C
	220В/50	220В/50
Мощность (зарядка/запуск)	1,4/8 кВт	2,2/12 кВт
Выходное напряжение	12/24 В	12/24 В
Зарядный ток (макс.)	40 А (12В) 70 А (24В)	60 А (12В) 100 А (24В)
Ток запуска	300 А	480 А
Ном. ток предохранителя	16 А	20 А
Емкость заряжаемой батареи	40-700 Ач	60-1000 Ач
Вес	15,4 кг	23,7кг

КОМПЛЕКТ ПОСТАВКИ

- Пуско-зарядное устройство
- Инструкция по эксплуатации

ПАНЕЛЬ УПРАВЛЕНИЯ ПУСКО-ЗАРЯДНОГО УСТРОЙСТВА


1. Клемма «--»
2. Предохранитель выходного тока
3. Амперметр
4. Переключатель значения тока зарядки
5. Переключатель «нормальная зарядка/быстрая зарядка»
6. Переключатель «зарядка/пуск»

7. Выключатель «вкл/выкл»
8. Клемма «+» 12В
9. Клемма «+» 24В
10. Переключатель «зарядка/пуск» и выбор значения тока зарядки
11. Переключатель выбора времени зарядки

ПРАВИЛА ЭКСПЛУАТАЦИИ

Зарядка

Для работы устройства в режиме зарядки следует переключить клавишу «6» в режим зарядки, клавиша «5» позволяет выбрать режим быстрой или обычной зарядки. В случае выбора режима зарядки, клавиша «4» дает возможность подключить режимы 1 и 2. При выборе режима пуска кнопки «5» и «6» не используются.

Для PZU450-C

режим нормальная зарядки + режим 1 – ток зарядки 18 А;

режим нормальная зарядки + режим 2 – ток зарядки 26 А.

режим быстрая зарядка – ток зарядки 40А

Для работы устройства в режиме зарядки в модели PZU650-C следует установить переключатель «10» в режим зарядки (позиции 1 –6). позиция 1 – ток зарядки 15 А; позиция 2 – ток зарядки 23 А; позиция 3 – ток зарядки 31 А; позиция 4 – ток зарядки 40 А; позиция 5 – ток зарядки 50 А; позиция 6 – ток зарядки 60 А.

В позициях 4, 5, 6 с помощью рукоятки «11» можно выбирать время зарядки, от 0 до 60 минут.

Пуск двигателя

Перед пуском двигателя автомобиля следует убедиться, что батарея хорошо соединена с соответствующими клеммами и находится в хорошем состоянии (исправна).

Для пуска установить переключатель режима зарядки в положение «пуск». При этом клемму с зажимом следует установить на напряжение (12 или 24 В), соответствующее напряжению питания запускаемого транспортного средства.

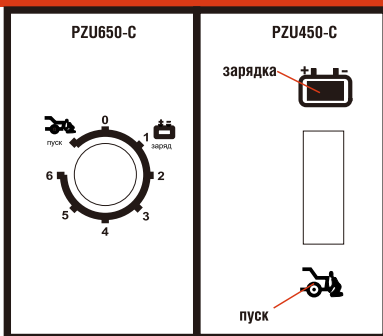
Перед тем, как поворачивать ключ запуска, необходимо провести быструю зарядку в течение 5–10 минут. Это значительно облегчит пуск. Операция быстрой зарядки должна выполняться только когда устройство находится в положении зарядки и не запуска.

Подаваемый ток указывается на шкале амперметра.

Перед началом операции соблюдайте рекомендации производителя транспортного средства.

Во избежание перегрева устройства, выполняйте операцию пуска строго соблюдая циклы работы/паузы указанные в таблице на корпусе прибора.

Например: режим «пуск» 3 с, пауза >120 с, не более 5 циклов. Не пытайтесь проводить дальнейшие запуски, если двигатель транспортного средства не заводится: можно серьезно повредить аккумулятор или электрооборудование транспортного средства.



ТЕХНИЧЕСКОЕ ОБСЛУЖИВАНИЕ

Внимание! При проведении технического обслуживания зарядное устройство должно быть отключено от сети.

Техническое обслуживание осуществляется с целью продления срока службы зарядного устройства.

Поддержание зарядного устройства в технически исправном состоянии возлагается на его владельца.

С периодичностью один раз в год необходимы профилактические работы, в которые входит:

– осмотр зарядного устройства и подключаемых к нему проводов с целью выявления их повреждений;

– удаление пыли;

– проверка работоспособности всех элементов управления и защиты зарядного устройства.

Внимание! Использование абразивных материалов, синтетических моющих средств, химических растворителей может привести к повреждению поверхности корпуса и органов управления зарядного устройства. Попадание жидкостей или посторонних предметов внутрь зарядного устройства может привести к выходу его из строя.

УСЛОВИЯ ГАРАНТИЙНОГО ОБСЛУЖИВАНИЯ

1. Настоящее гарантийное свидетельство является единственным документом, подтверждающим Ваше право на бесплатное гарантийное обслуживание. Без предъявления данного свидетельства претензии не принимаются. В случае утери или порчи гарантийное свидетельство не восстанавливается.
2. Гарантийный срок на электроинструмент составляет 12 месяцев со дня продажи, в течение гарантийного срока сервисная служба бесплатно устраняет производственные дефекты и производит замену деталей, вышедших из строя по вине изготовителя. На период гарантийного ремонта эквивалентный исправный инструмент не предоставляется. Заменяемые детали переходят в собственность служб сервиса. Компания P.I.T. не несет ответственности за вред, который может быть причинен при работе с электроинструментом.
3. В гарантийный ремонт инструмент принимается в чистом виде, при обязательном наличии надлежащим образом оформленных документов: настоящего гарантийного свидетельства, гарантийного талона, с полностью заполненными полями, штампом торговой организации и подписью покупателя.
4. Гарантийный ремонт не производится в следующих случаях:
 - при отсутствии гарантийного свидетельства и гарантийного талона или неправильном их оформлении;
 - при совместном выходе из строя якоря и статора электродвигателя, при обугливания или оплавлении первичной обмотки трансформатора сварочного аппарата, зарядного или пуско-зарядного устройства, при оплавлении внутренних деталей, прожиге электронных плат;
 - если гарантийное свидетельство или талон не принадлежат данному электроинструменту или не соответствует установленному поставщиком образцу;
 - по истечении срока гарантии;
 - при попытках самостоятельного вскрытия или ремонта электроинструмента вне гарантийной мастерской; внесения конструктивных изменений и смазки инструмента в гарантийный период, о чем свидетельствуют, например, заломы на шлифовых частях крепежа корпусных деталей.
 - при использовании электроинструмента в производственных или иных целях, связанных с получением прибыли, а также – при возникновении неисправностей связанных с нестабильностью параметров электросети, превышающих нормы, установленные ГОСТ;
 - при неправильной эксплуатации (использование электроинструмента не по назначению, установки на электроинструмент не предназначенных заводом–изготовителем насадок, дополнительных приспособлений и т.п.;
 - при механических повреждениях корпуса, сетевого шнура и при повреждениях, вызванных воздействием агрессивных средств и высоких и низких температур, попадании инородных предметов в вентиляционные решетки электроинструмента, а также при повреждениях, наступивших в результате неправильного хранения(коррозия металлических частей);
 - при естественном износе деталей электроинструмента, в результате длительной эксплуатации(определяется по признакам полной или частичной выработки ресурса, сильного загрязнения, ржавчины снаружи и внутри электроинструмента, отработанной смазки в редукторе);
 - использование инструмента не по назначению, указанному в инструкции по эксплуатации.
 - при механических повреждениях инструмента;
 - при возникновении повреждений в связи с несоблюдением предусмотренных инструкцией условий эксплуатации(см. главу Указание по технике безопасности в инструкции).
 - повреждение изделия вследствие несоблюдения правил хранения и транспортировки.Профилактическое обслуживание электроинструмента (чистка, промывка, смазка, замена пыльников, поршневых и уплотнительных колец) в гарантийный период является платной услугой.
Срок службы изделия установлен производителем и составляет 2 года со дня изготовления.
О возможных нарушениях, изложенных выше условий гарантийного обслуживания, владельцу сообщается после проведения диагностики в сервисном центре.
Владелец инструмента доверяет проведение диагностики в сервисном центре в свое отсутствие.
Запрещается эксплуатация электроинструмента при проявлении признаков повышенного нагрева, искрения, а также шума в редукторной части. Для выяснения причин неисправности покупателю следует обратиться в гарантийную мастерскую.
Неисправности, вызванные несвоевременной заменой угольных щеток двигателя, устраняются за счет покупателя.
5. Гарантия не распространяется на:
 - сменные принадлежности (аксессуары и оснастка), например: аккумуляторы, диски, ножи, сверла, буры, патроны, цепи, звездочки, цанговые зажимы, шины, элементы натяжения и крепления, головки триммеров, подошвы шлифовальных и ленточных машин, фильтры и т.п.
 - быстроизнашивающиеся детали, например: угольные щетки, приводные ремни, сальники, защитные кожухи, направляющие ролики, направляющие, резиновые уплотнения, подшипники, зубчатые ремни и колеса, стволы, ленты тормоза, храповики и тросы стартеров, поршневые кольца и т.п. Замена их в течение гарантийного срока является платной услугой.
 - шнуры питания, в случае повреждения изоляции, шнуры питания подлежат обязательной замене без согласия владельца (услуга платная).
 - корпуса инструмента.

P. I. T. WARRANTY CARD

Name _____
 Serial number _____
 The date of sale 20_____
 The date of receipt of the repair 20_____



Name _____
 Serial number _____
 Date of sale "" _____
 (Filled by seller)

Seal is here

WARRANTY REPAIR CARD

date of acceptance for repair ____20 _____ .
 Application for repair _____
 Customer _____
 Telephone (address) _____
 The reason for petition _____
 Tool checked in my presence _____
 (The order is filled in the service center) (signature)

Seal is here

Name _____
 Serial number _____
 The date of sale 20_____
 The date of receipt of the repair 20_____



Name _____
 Serial number _____
 Date of sale "" _____
 (Filled by seller)

Seal is here

WARRANTY REPAIR CARD

date of acceptance for repair ____20 _____ .
 Application for repair _____
 Customer _____
 Telephone (address) _____
 The reason for petition _____
 Tool checked in my presence _____
 (The order is filled in the service center) (signature)

Seal is here

Name _____
 Serial number _____
 The date of sale 20_____
 The date of receipt of the repair 20_____



Name _____
 Serial number _____
 Date of sale "" _____
 (Filled by seller)

Seal is here

WARRANTY REPAIR CARD

date of acceptance for repair ____20 _____ .
 Application for repair _____
 Customer _____
 Telephone (address) _____
 The reason for petition _____
 Tool checked in my presence _____
 (The order is filled in the service center) (signature)

Seal is here



ГАРАНТИЙНЫЙ ТАЛОН P.I.T.

Наименование _____
Серийный номер _____
Дата продажи «__» ____ 20__ г.
Дата получения из ремонта «__» ____ 20__ г.



Наименование _____
Серийный номер _____
Дата продажи «__» ____ 20__ г.
(Заполняется продавцом)

М.П.

КАРТА ГАРАНТИЙНОГО РЕМОНТА __

Дата приема в ремонт ____ 20__ г.
Заявка на ремонт _____
Заказчик _____
Телефон(адрес) _____
Причина обращения _____
Дата получения из ремонта ____ 20__ г.
Инструмент проверен в моем присутствии _____
(Заказ заполняется в сервисном центре) (подпись)

М.П.

Наименование _____
Серийный номер _____
Дата продажи «__» ____ 20__ г.
Дата получения из ремонта «__» ____ 20__ г.



Наименование _____
Серийный номер _____
Дата продажи «__» ____ 20__ г.
(Заполняется продавцом)

М.П.

КАРТА ГАРАНТИЙНОГО РЕМОНТА __

Дата приема в ремонт ____ 20__ г.
Заявка на ремонт _____
Заказчик _____
Телефон(адрес) _____
Причина обращения _____
Дата получения из ремонта ____ 20__ г.
Инструмент проверен в моем присутствии _____
(Заказ заполняется в сервисном центре) (подпись)

М.П.

Наименование _____
Серийный номер _____
Дата продажи «__» ____ 20__ г.
Дата получения из ремонта «__» ____ 20__ г.



Наименование _____
Серийный номер _____
Дата продажи «__» ____ 20__ г.
(Заполняется продавцом)

М.П.

КАРТА ГАРАНТИЙНОГО РЕМОНТА __

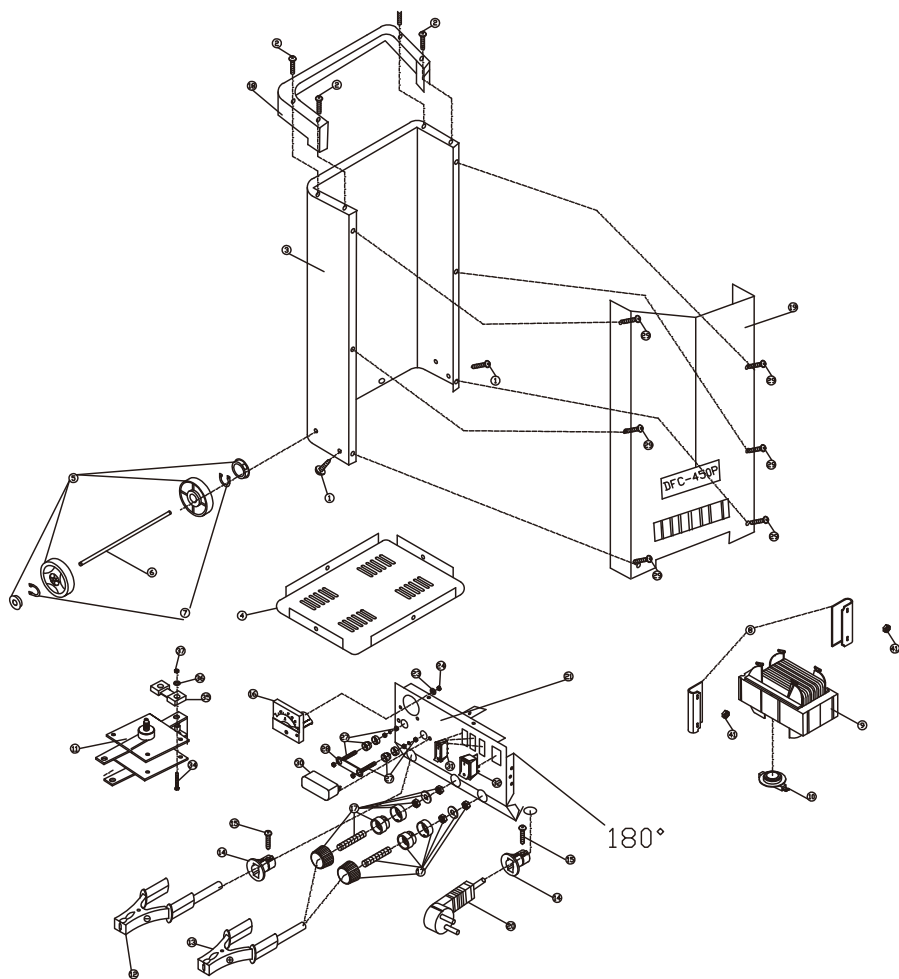
Дата приема в ремонт ____ 20__ г.
Заявка на ремонт _____
Заказчик _____
Телефон(адрес) _____
Причина обращения _____
Дата получения из ремонта ____ 20__ г.
Инструмент проверен в моем присутствии _____
(Заказ заполняется в сервисном центре) (подпись)

М.П.

P.I.T. WARRANTY SHEET /

ГАРАНТИЙНЫЙ ТАЛОН P.I.T.

СХЕМА





Поставщик / производитель: Xinjiang Longbo Industrial Co., Ltd.

Адрес производства: Rm. 602, 6th Floor, No. 531, Weixing Road, Economic And Technological Development Zone, Urumqi, Xinjiang, China

Импортер / организация, уполномоченная принимать претензии: ООО «Турбо-Тулс»

Юридический / почтовый адрес: 614058, Пермский край, г. Пермь, ул. Фоминская, 36
info@pittools.ru

Сделано в КНР / Made in China



www.pit-tools.com