



SPARE PARTS EXPLODED VIEW ACCESSORIES FOR CONTROLLERS Model TERMOREGOLAZIONE GALILEO-GALEVO

R8216903-09 - 13/03/2019

1	3318585	Sensys IT-GB-FR-ES-PT	05-2012	-
1	3318613	Sensys TR-RUS-GR-CR-SRB	05-2012	-
1	3318615	Sensys PL-CZ-HU-RO	05-2012	-
1	3318596	Expert Control ebus2	05-2012	08-2016
1	3318617	Expert Control SP-PT-GR-CR	05-2012	-
1	3318619	Expert Control RUS-PL-CZ	05-2012	-
1	3318607	REMOCON PLUS ELCO	05-2012	06-2015
1	3318590	CRONOTERMOSTATO WIRED GAL EVO AR	05-2012	-
1	3318601	Cronotermostato ON-OFF con fili	05-2012	-
1	3318591	CRONOTERMOSTATO+RICEVIT WIRELESS GAL EVO AR05-2012	05-2012	-
1	3318602	Cronotermostato ON-OFF senza fili	05-2012	-
1	3318593	CRONOTERMOSTATO BUS GAL EVO AR	05-2012	-
1	3318604	Cronotermostato ON-OFF senza fili ebus2	05-2012	-
1	3318586	SENSORE AMBIENTE WIRED GAL EVO AR	05-2012	11-2017
1	3318597	Zone Controller Chaffoteaux	05-2012	12-2017
1	3318608	SENSORE AMBIENTE WIRED GAL EVO ELCO	10-2011	01-2018
1	3318594	TERMOSTATO GAL EVO AR	05-2012	-
1	3318605	Termostato ambiente ON-OFF	05-2012	-
1	3318588	SONDA ESTERNA WIRED GAL EVO AR	05-2012	-
1	3318599	Sonda esterna con fili ebus2	05-2012	-
1	3318610	SONDA TEMPERATURA ESTERNA	05-2012	-
1	3318229	BUS INTERFACE	10-2006	03-2018
1	3318230	CLIMA MANAGER AR	10-2006	09-2018
1	3318232	SONDA ESTERNA	10-2006	-
1	3318233	RICEVITORE DISPO MODULANTI SENZA FILI AR	04-2007	09-2009
1	3318235	SENSORE AMBIENTE SENZA FILI AR	04-2007	11-2012
1	3318236	SONDA ESTERNA SENZA FILI AR	04-2007	11-2012
1	3318237	RIPETITORE PER DISP MODULANTI SENZA FILI	05-2007	02-2011
1	3318238	Termostato ambiente on/off	10-2006	04-2013
1	3318239	CRONOTERMOSTATO CON FILI	04-2007	03-2013
1	3318240	RICEVITORE CRONOTERMOSTATO SENZA FILI	04-2007	04-2013
1	3318241	CRONOTERMOSTATO SENZA FILI AR	04-2007	04-2013
1	3318331	SENSORE AMBIENTE AR 3318447	04-2007	09-2009
1	3318298	CONTROLLO REMOTO CHX	05-2007	01-2017
1	3318299	SENSORE AMBIENTE CHX	05-2007	09-2009
1	3318300	TERMOSTATO AMBIENTE CHX	05-2007	04-2013
1	3318301	CRONOTERMOSTATO SETTIMANALE CHX	05-2007	04-2013
1	3318302	SONDA ESTERNA CHX	05-2007	-
1	3318304	SENSORE AMBIENTE SENZA FILI CHX	05-2007	02-2014
1	3318305	RIPETITORE DISPO MODULANTI CHX	06-2007	02-2014
1	3318306	RICEVITORE DISPO MOD SENZA FILI CHX	05-2007	09-2009
1	3318307	CRONOTERMOSTATO SENZA FILI CHX	05-2007	04-2013
1	3318308	RECEIVER WIRELESS CHRONOTERMOSTAT	05-2007	04-2013
1	3318309	SONDA ESTERNA SENZA FILI CHX	05-2007	02-2014
1	3318330	INTERFACCIA BUS CHX	05-2007	03-2018
1	3318395	SENSORE AMBIENTE ECOFLAM	06-2008	09-2009
1	3318449	SENSORE AMBIENTE MULTIBUS CHX	02-2010	03-2018
1	3318879	COMANDO REMOCON PLUS	11-2014	-
1	3318880	TERMOSTATO PROGRAMMABILE THI MINI	11-2014	-
1	3318881	TERMOSTATO PROGRAMMABILE RADIO THI MINI	11-2014	-

Col	Reference	Model type	Begin	End
-----	-----------	------------	-------	-----

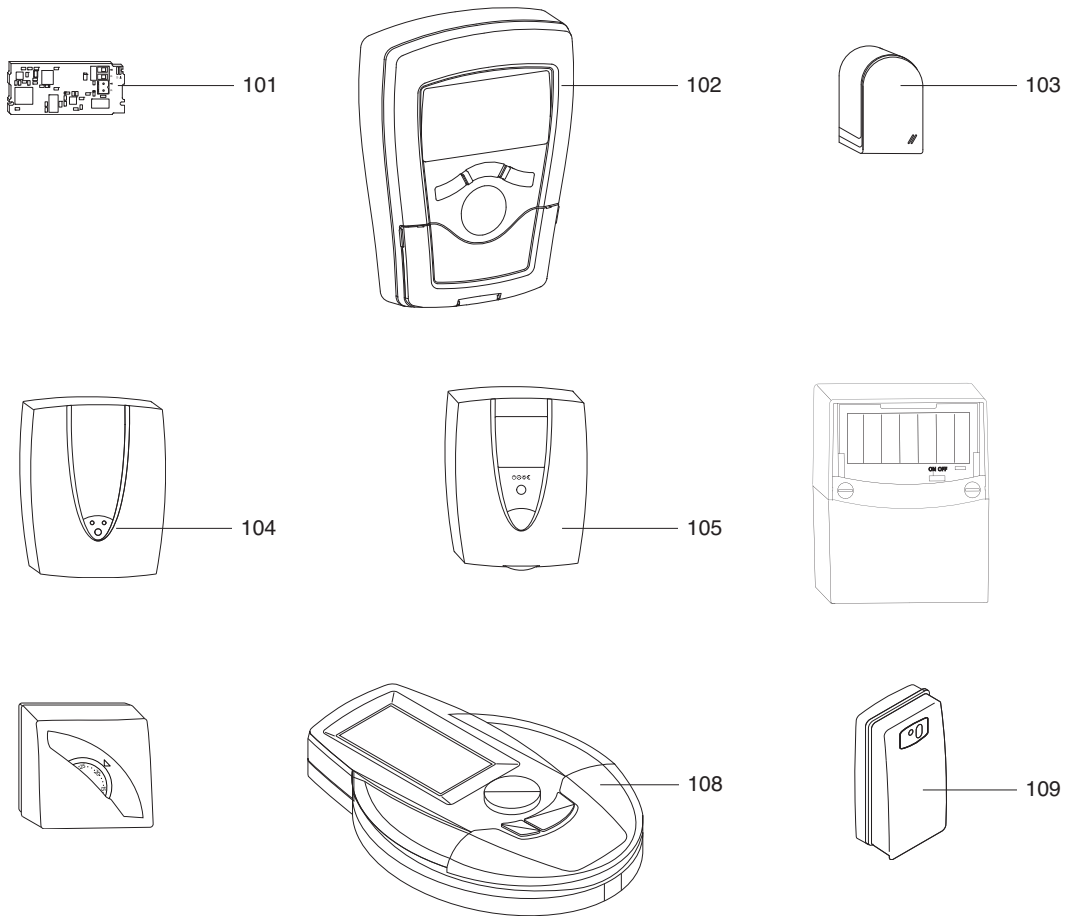


Ecoflam

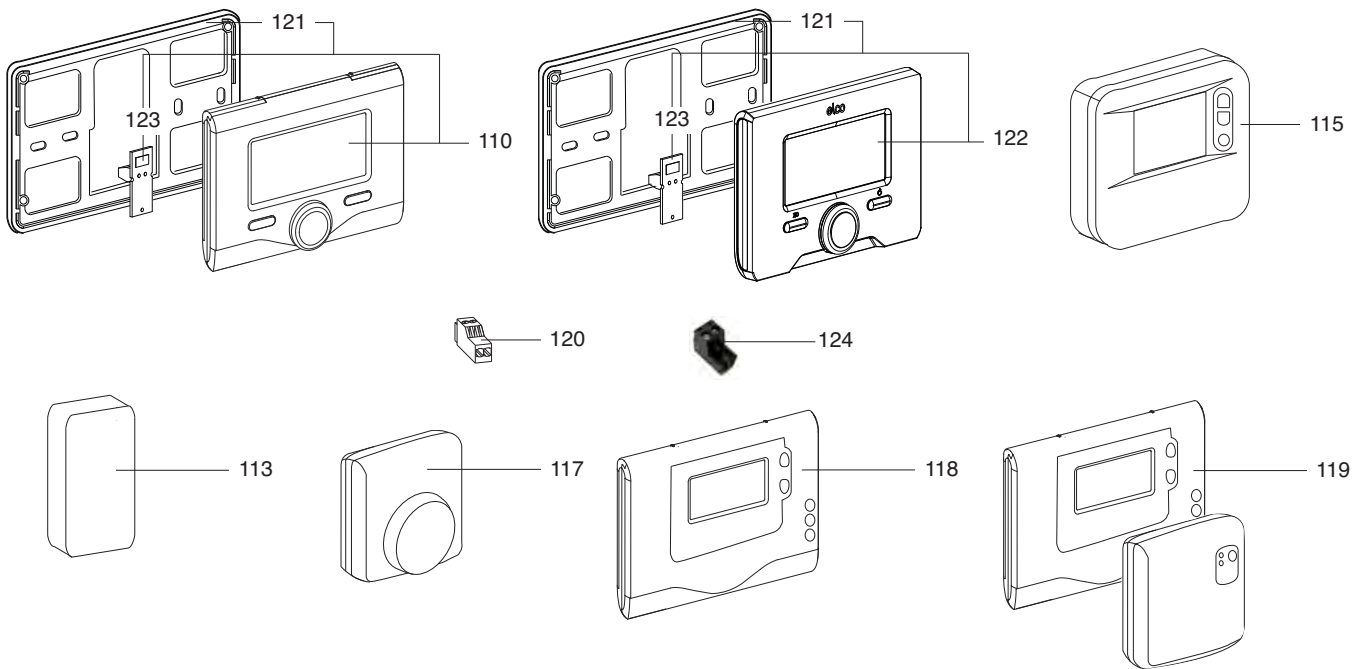
2	3318886	ARISTON NET GPRS + SENSYS	05-2015	-
2	3318890	CHAFFOLINK GPRS + EXPERT CONTROL	05-2015	-
2	3318892	CONNECTIVITY GPRS EXTERNAL ANTENNA	05-2015	-
3	3318884	ARISTON NET WIFI + SENSYS	05-2015	-
3	3318888	CHAFFOLINK WIFI + EXPERT CONTROL	05-2015	-
4	3318885	ARISTON NET WIFI + ROOM SENSOR	05-2015	-
4	3318889	CHAFFOLINK WIFI + ZONE CONTROL	05-2015	-
5	3318887	ARISTON NET GPRS + ROOM SENSOR	05-2015	-
5	3318891	CHAFFOLINK GPRS + ZONE CONTROL	05-2015	-
6	3319220	ARISTON NET GPRS/LAN + SENSYS	07-2018	-
6	3319221	CHAFFOLINK GPRS/LAN + EXPERT CONTROL	07-2018	-
6	3319229	ARISTON NET GPRS/LAN + SENSYS_UK	07-2018	-
7	3319443	CHAFFOLINK GPRS/LAN	01-2019	-

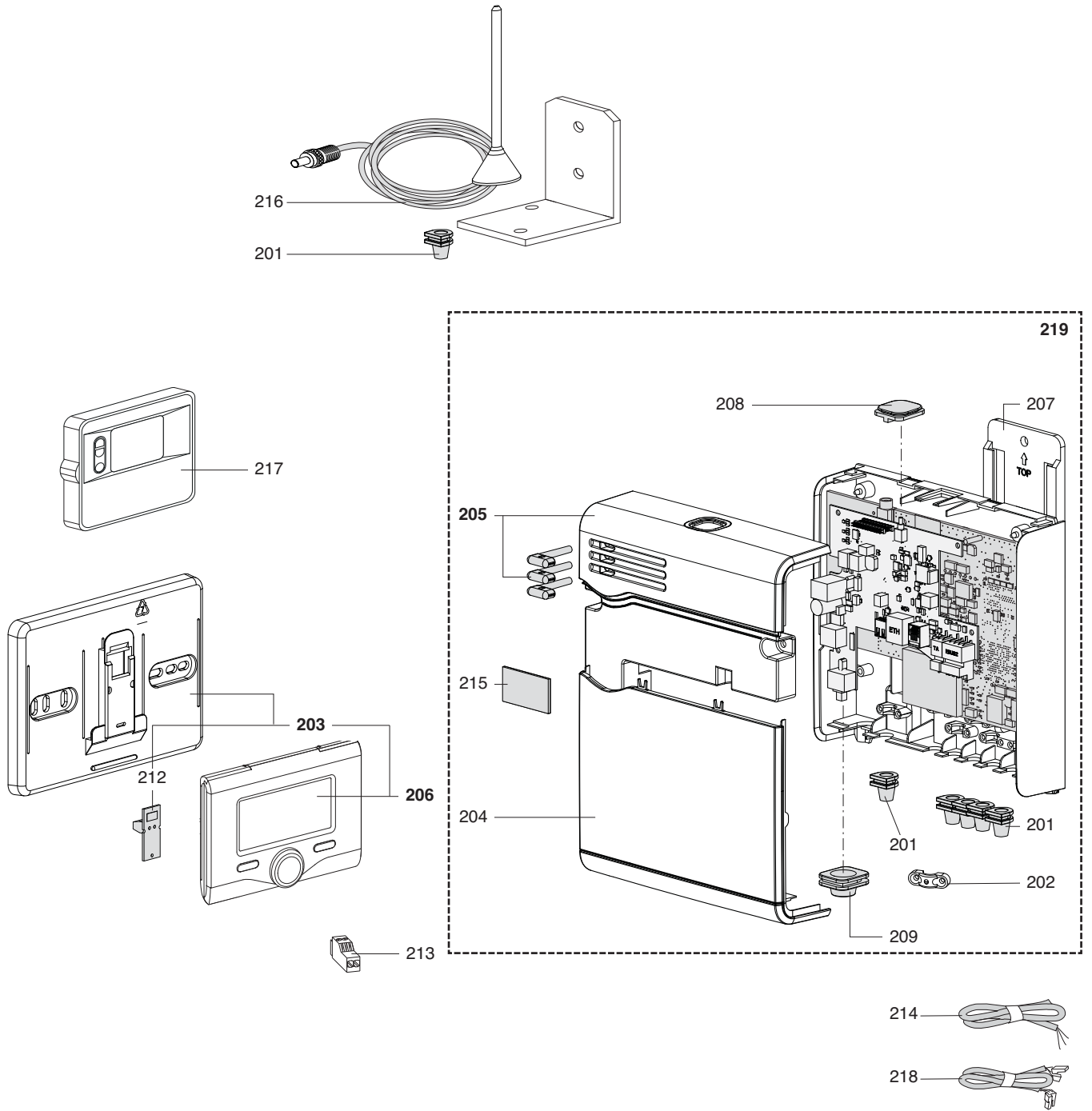
Col	Reference	Model type	Begin	End
-----	-----------	------------	-------	-----

GALILEO



GAL - EVO





☰	Description	Manf. Pt. N	Type	<div style="display: flex; justify-content: space-between; align-items: center;"> <div style="writing-mode: vertical-rl; transform: rotate(180deg); font-size: 8px;"> GPRS-REMCON WIFI-REMCON GPRS-HROOM WIFI-HROOM SENSOR GPRS/LAN-REMCON GPRS/LAN </div> <div style="border: 1px solid black; padding: 2px;">31</div> </div>																		From	to
				1	2	3	4	5	6	7	8	9	10	11	12	13	14	15	16	17	18		
0120	CONNECTOR 2P	65111933			•	•	•	•	•														
0201	REMOTE PASS CABLE EXT V1	65114727			•	•	•	•	•	•													
0202	WIRE CLAMP V0 REMOTE	65114726			•	•	•	•	•	•													
0203	WALL PLATE	65112824								•													
	WALL PLATE (SYSTEM INTERFACE)	65114732			•	•			•														
0204	LOWER COVER GATEWAY + GASKET	65114729			•	•	•	•	•	•													
0205	UPPER COVER (GATEWAY)	65114728			•	•	•	•	•	•													
0206	SYSTEM INTERFACE	65112083-07			•	•			•														
0207	WALL PLATE REMOTE GATEWAY	65114733			•	•	•	•	•	•													
0208	BUTTON START-UP REMOTE	65114730			•	•	•	•	•	•													
0209	BUTTON ON-OFF REMOTE	65114731			•	•	•	•	•	•													
0212	P.C.B. CONNECTOR	65112042			•	•			•														
0213	CONNECTOR 2P	65111933			•	•	•	•	•	•													
0214	CABLE TA/EBUS2	65114734			•	•	•	•	•	•													
0215	STICKER WALL PLATE GW	65114725			•	•	•	•	•														
0216	AERIAL (GSM)+CABLE	65114741			•																		
0217	MODULATING ROOM SENSOR GAL EVO	65112214					•	•															
0218	CABLE RJ12 MOLEX REMOTE	65115360			•	•	•	•	•	•													
0219	KIT REMOTE GATEWAY GPRS	65114915			•				•														
	KIT REMOTE GATEWAY GPRS/LAN	65118081							•	•													
	KIT REMOTE GATEWAY WIFI	65114916			•	•																	

LIST OF THE ABBREVIATIONS

HW	: Hot water.
CW	: Cold water.
C	: Ceramic resistance (normal heating).
Ca	: Ceramic resistance (accelerated heating)
TP	: Immersion heater.
1F	: With fittings.
2F	: Without fittings.
3F	: With fittings and another outlet connection.
AMI	: With mixing valve.
SMI	: Without mixing valve.
PUISS	: Power of th appliance.
PN	: Appliance with normal pression.
LP	: Appliance with low pression.
PV	: Appliance with variable power.
PF	: Appliance with fixed power.

The indications mentionned on the prices, commercial or technical literature and the scheme are written for your guidance and are available at a given time. The CONSTRUCTOR retains the power to modify the presentation, the form, the size, the conception or the material of the products.
