



**P.I.T.**<sup>®</sup>  
Progressive Innovational Technology

**EN** PRODUCT PASSPORT  
USER'S MANUAL

**RU** ПАСПОРТ ИЗДЕЛИЯ  
ИНСТРУКЦИЯ ПОЛЬЗОВАТЕЛЯ

**CORDLESS ANGLE GRINDER**  
**АККУМУЛЯТОРНАЯ УГЛОВАЯ**  
**ШЛИФОВАЛЬНАЯ МАШИНА**



**EAC**

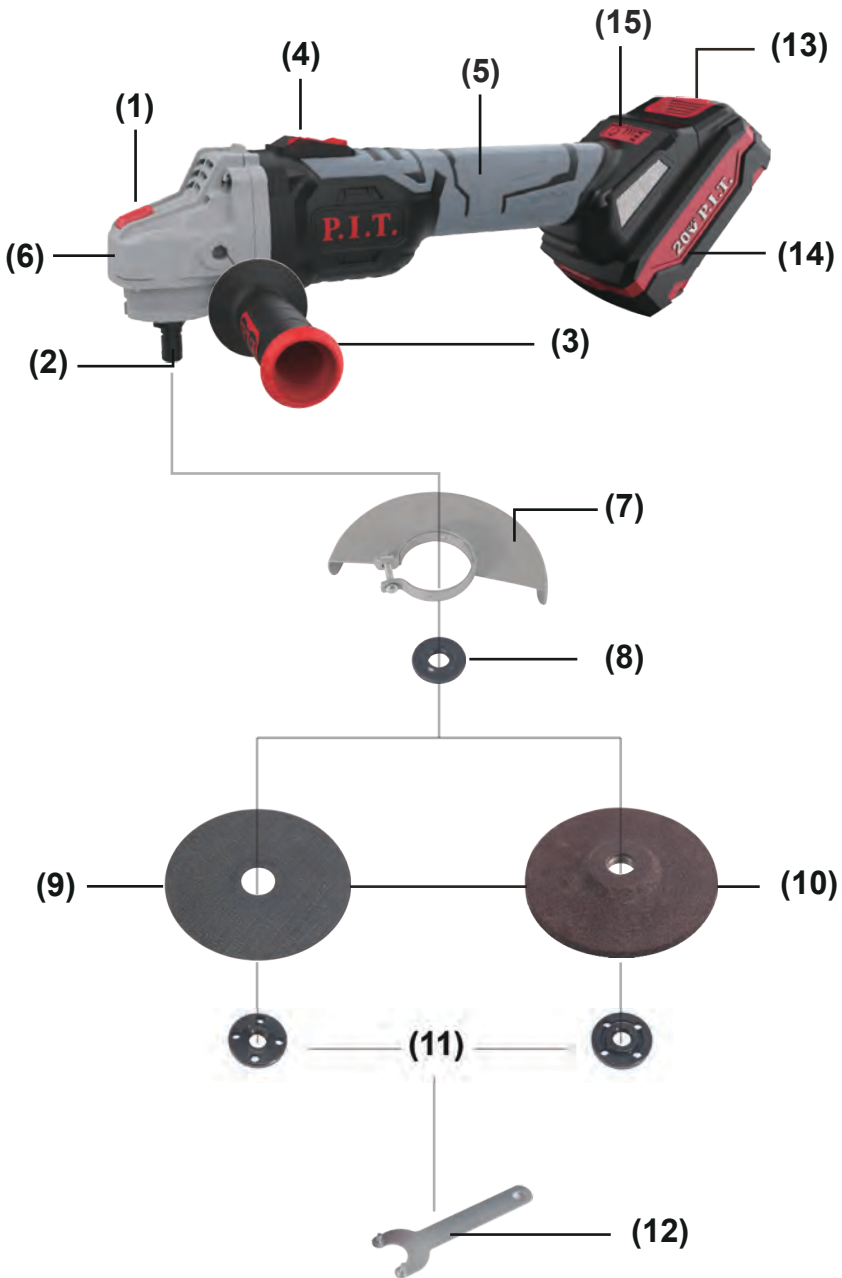
**PWS20H-125B**

**PROGRESSIVE INNOVATIONAL TECHNOLOGY**  
**ПРОГРЕССИВНЫЕ ИННОВАЦИОННЫЕ ТЕХНОЛОГИИ**

**TM**by  
ONLINE STORE

<https://tm.by>  
Интернет-магазин





## English

### Safety Notes

#### General Power Tool Safety Warnings

**⚠ WARNING** Read all safety warnings and all instructions.

Failure to follow the warnings and instructions may result in electric shock, fire and/or serious injury.

**Save all warnings and instructions for future reference.** The term "power tool" in the warnings refers to your mains- operated (corded) power tool or battery-operated (cordless) power tool.

#### Work area safety

- ▶ **Keep work area clean and well lit.** Cluttered or dark areas invite accidents.
- ▶ **Do not operate power tools in explosive atmospheres, such as in the presence of flammable liquids, gases or dust.** Power tools create sparks which may ignite the dust or fumes.
- ▶ **Keep children and bystanders away while operating a power tool.** Distractions can cause you to lose control.

#### Electrical safety

- ▶ **Power tool plugs must match the outlet. Never modify the plug in any way. Do not use any adapter plugs with earthed (grounded) power tools.** Unmodified plugs and matching outlets will reduce risk of electric shock.
- ▶ **Avoid body contact with earthed or grounded surfaces, such as pipes, radiators, ranges and refrigerators.** There is an increased risk of electric shock if your body is earthed or grounded.
- ▶ **Do not expose power tools to rain or wet conditions.** Water entering a power tool will increase the risk of electric shock.
- ▶ **Do not abuse the cord. Never use the cord for carrying, pulling or unplugging the power tool. Keep cord away from heat, oil, sharp edges and moving parts.** Damaged or entangled cords increase the risk of electric shock.
- ▶ **When operating a power tool outdoors, use an extension cord suitable for outdoor use.** Use of a cord suitable for outdoor use reduces the risk of electric shock.
- ▶ **If operating a power tool in a damp location is unavoidable, use a residual current device (RCD) protected supply.** Use of an RCD reduces the risk of electric shock.

#### Personal safety

- ▶ **Stay alert, watch what you are doing**

and use common sense when operating a power tool. **Do not use a power tool while you are tired or under the influence of drugs, alcohol or medication.** A moment of inattention while operating power tools may result in serious personal injury.

- ▶ **Use personal protective equipment. Always wear eye protection.** Protective equipment such as dust mask, nonskid safety shoes, hard hat, or hearing protection used for appropriate conditions will reduce personal injuries.
- ▶ **Prevent unintentional starting. Ensure the switch is in the off-position before connecting to power source and/or battery pack, picking up or carrying the tool.** Carrying power tools with your finger on the switch or energising power tools that have the switch on invites accidents.
- ▶ **Remove any adjusting key or wrench before turning the power tool on.** A wrench or a key left attached to a rotating part of the power tool may result in personal injury.
- ▶ **Do not overreach. Keep proper footing and balance at all times.** This enables better control of the power tool in unexpected situations.
- ▶ **Dress properly. Do not wear loose clothing or jewellery. Keep your hair, clothing and gloves away from moving parts.** Loose clothes, jewellery or long hair can be caught in moving parts.
- ▶ **If devices are provided for the connection of dust extraction and collection facilities, ensure these are connected and properly used.** Use of dust collection can reduce dust-related hazards.

#### Power tool use and care

- ▶ **Do not force the power tool. Use the correct power tool for your application.** The correct power tool will do the job better and safer at the rate for which it was designed.
- ▶ **Do not use the power tool if the switch does not turn it on and off.** Any power tool that cannot be controlled with the switch is dangerous and must be repaired.
- ▶ **Disconnect the plug from the power source and/or the battery pack from the power tool before making any adjustments, changing accessories, or storing power tools.** Such preventive safety measures reduce the risk of starting the power tool accidentally.

- ▶ **Store idle power tools out of the reach of children and do not allow persons unfamiliar with the power tool or these instructions to operate the power tool.** Power tools are dangerous in the hands of untrained users.
- ▶ **Maintain power tools. Check for misalignment or binding of moving parts, breakage of parts and any other condition that may affect the power tool's operation. If damaged, have the power tool repaired before use.** Many accidents are caused by poorly maintained power tools.
- ▶ **Keep cutting tools sharp and clean.** Properly maintained cutting tools with sharp cutting edges are less likely to bind and are easier to control.
- ▶ **Use the power tool, accessories and tool bits etc. in accordance with these instructions, taking into account the working conditions and the work to be performed.** Use of the power tool for operations different from those intended could result in a hazardous situation.

#### Battery tool use and care

- ▶ **Recharge only with the charger specified by the manufacturer.** A charger that is suitable for one type of battery pack may create a risk of fire when used with another battery pack.
- ▶ **Use power tools only with specifically designated battery packs.** Use of any other battery packs may create a risk of injury and fire.
- ▶ **When battery pack is not in use, keep it away from other metal objects, like paper clips, coins, keys, nails, screws or other small metal objects, that can make a connection from one terminal to another.** Shorting the battery terminals together may cause burns or a fire.
- ▶ **Under abusive conditions, liquid may be ejected from the battery; avoid contact. If contact accidentally occurs, flush with water. If liquid contacts eyes, additionally seek medical help.** Liquid ejected from the battery may cause irritation or burns.

#### Service

- ▶ **Have your power tool serviced by a qualified repair person using only identical replacement parts.** This will ensure that the safety of the power tool is maintained.

## Safety information for the angle grinder

### Safety Warnings common for Grinding, Sanding, Wire Brushing or Abrasive Cutting Off operations

- ▶ **This power tool is intended to function as a grinder, sander, wire brush or cut-off tool. Read all safety warnings, instructions, illustrations and specifications provided with this power tool.** Failure to follow all instructions listed below may result in electric shock, fire and/or serious injury.
- ▶ **Operations such as polishing are not recommended to be performed with this power tool.** Operations for which the power tool was not designed may create a hazard and cause personal injury.
- ▶ **Do not use accessories which are not specifically designed and recommended by the tool manufacturer.** Just because the accessory can be attached to your power tool, it does not assure safe operation.
- ▶ **The rated speed of the accessory must be at least equal to the maximum speed marked on the power tool.** Accessories running faster than their rated speed can break and fly apart.
- ▶ **The outside diameter and the thickness of your accessory must be within the capacity rating of your power tool.** Incorrectly sized accessories cannot be adequately guarded or controlled.
- ▶ **Threaded mounting of accessories must match the grinder spindle thread. For accessories mounted by flanges, the arbour hole of the accessory must fit the locating diameter of the flange.** Accessories that do not match the mounting hardware of the power tool will run out of balance, vibrate excessively and may cause loss of control.
- ▶ **Do not use a damaged accessory. Before each use inspect the accessory such as abrasive wheels for chips and cracks, backing pad for cracks, tear or excess wear, wire brush for loose or cracked wires. If power tool or accessory is dropped, inspect for damage or install an undamaged accessory. After inspecting and installing an accessory, position yourself and bystanders away from the plane of the rotating accessory and run the power tool at maximum no**



**load speed for one minute.** Damaged accessories will normally break apart during this test time.

- ▶ **Wear personal protective equipment. Depending on application, use face shield, safety goggles or safety glasses. As appropriate, wear dust mask, hearing protectors, gloves and workshop apron capable of stopping small abrasive or workpiece fragments.** The eye protection must be capable of stopping flying debris generated by various operations. The dust mask or respirator must be capable of filtering particles generated by your operation. Prolonged exposure to high intensity noise may cause hearing loss.
- ▶ **Keep bystanders a safe distance away from work area. Anyone entering the work area must wear personal protective equipment.** Fragments of workpiece or of a broken accessory may fly away and cause injury beyond immediate area of operation.
- ▶ **Hold the power tool by insulated gripping surfaces only, when performing an operation where the cutting accessory may contact hidden wiring.** Cutting accessory contacting a "live" wire may make exposed metal parts of the power tool "live" and could give the operator an electric shock.
- ▶ **Never lay the power tool down until the accessory has come to a complete stop.** The spinning accessory may grab the surface and pull the power tool out of your control.
- ▶ **Do not run the power tool while carrying it at your side.** Accidental contact with the spinning accessory could snag your clothing, pulling the accessory into your body.
- ▶ **Regularly clean the power tool's air vents.** The motor's fan will draw the dust inside the housing and excessive accumulation of powdered metal may cause electrical hazards.
- ▶ **Do not operate the power tool near flammable materials.** Sparks could ignite these materials.
- ▶ **Do not use accessories that require liquid coolants.** Using water or other liquid coolants may result in electrocution or shock.

#### **Kickback and Related Warnings**

Kickback is a sudden reaction to a pinched or

snagged rotating wheel, backing pad, brush or any other accessory. Pinching or snagging causes rapid stalling of the rotating accessory which in turn causes the uncontrolled power tool to be forced in the direction opposite of the accessory's rotation at the point of the binding.

For example, if an abrasive wheel is snagged or pinched by the workpiece, the edge of the wheel that is entering into the pinch point can dig into the surface of the material causing the wheel to climb out or kick out. The wheel may either jump toward or away from the operator, depending on direction of the wheel's movement at the point of pinching. Abrasive wheels may also break under these conditions.

Kickback is the result of power tool misuse and/or incorrect operating procedures or conditions and can be avoided by taking proper precautions as given below.

- ▶ **Maintain a firm grip on the power tool and position your body and arm to allow you to resist kickback forces. Always use auxiliary handle, if provided, for maximum control over kickback or torque reaction during start-up.** The operator can control torque reactions or kickback forces, if proper precautions are taken.
- ▶ **Never place your hand near the rotating accessory.** Accessory may kickback over your hand.
- ▶ **Do not position your body in the area where power tool will move if kickback occurs.** Kickback will propel the tool in direction opposite to the wheel's movement at the point of snagging.
- ▶ **Use special care when working corners, sharp edges etc. Avoid bouncing and snagging the accessory.** Corners, sharp edges or bouncing have a tendency to snag the rotating accessory and cause loss of control or kickback.
- ▶ **Do not attach a saw chain woodcarving blade or toothed saw blade.** Such blades create frequent kickback and loss of control.

#### **Safety Warnings specific for Grinding and Abrasive Cutting-Off operations**

- ▶ **Use only wheel types that are recommended for your power tool and the specific guard designed for the selected wheel.** Wheels for which the power tool was not designed cannot be adequately guarded and are unsafe.
- ▶ **The grinding surface of centre de-**

pressed wheels must be mounted below the plane of the guard lip. An improperly mounted wheel that projects through the plane of the guard lip cannot be adequately protected.

- ▶ **The guard must be securely attached to the power tool and positioned for maximum safety, so the least amount of wheel is exposed towards the operator.** The guard helps to protect operator from broken wheel fragments, accidental contact with wheel and sparks that could ignite clothing.
- ▶ **Wheels must be used only for recommended applications. For example: do not grind with the side of cut-off wheel.** Abrasive cut-off wheels are intended for peripheral grinding, side forces applied to these wheels may cause them to shatter.
- ▶ **Always use undamaged wheel flanges that are of correct size and shape for your selected wheel.** Proper wheel flanges support the wheel thus reducing the possibility of wheel breakage. Flanges for cut-off wheels may be different from grinding wheel flanges.
- ▶ **Do not use worn down wheels from larger power tools.** Wheel intended for larger power tool is not suitable for the higher speed of a smaller tool and may burst.

#### **Additional Safety Warnings specific for Abrasive Cutting Off operations**

- ▶ **Do not “jam” the cut-off wheel or apply excessive pressure. Do not attempt to make an excessive depth of cut.** Over-stressing the wheel increases the loading and susceptibility to twisting or binding of the wheel in the cut and the possibility of kickback or wheel breakage.
- ▶ **Do not position your body in line with and behind the rotating wheel.** When the wheel, at the point of operation, is moving away from your body, the possible kickback may propel the spinning wheel and the power tool directly at you.
- ▶ **When wheel is binding or when interrupting a cut for any reason, switch off the power tool and hold the power tool motionless until the wheel comes to a complete stop. Never attempt to remove the cut-off wheel from the cut while the wheel is in motion otherwise kickback may occur.** Investigate and take corrective action to eliminate the cause of wheel binding.

- ▶ **Do not restart the cutting operation in the workpiece. Let the wheel reach full speed and carefully reenter the cut.** The wheel may bind, walk up or kickback if the power tool is restarted in the workpiece.
- ▶ **Support panels or any oversized workpiece to minimize the risk of wheel pinching and kickback.** Large workpieces tend to sag under their own weight. Supports must be placed under the workpiece near the line of cut and near the edge of the workpiece on both sides of the wheel.
- ▶ **Use extra caution when making a “pocket cut” into existing walls or other blind areas.** The protruding wheel may cut gas or water pipes, electrical wiring or objects that can cause kickback.

#### **Safety Warnings specific for Sanding operations**

- ▶ **Do not use excessively oversized sanding disc paper. Follow manufacturers recommendations, when selecting sanding paper.** Larger sanding paper extending beyond the sanding pad presents a laceration hazard and may cause snagging, tearing of the disc, or kickback.

#### **Safety Warnings specific for Wire Brushing operations**

- ▶ **Be aware that wire bristles are thrown by the brush even during ordinary operation. Do not overstress the wires by applying excessive load to the brush** The wire bristles can easily penetrate light clothing and/or skin.
- ▶ **If the use of a guard is not recommended for wire brushing, do not allow any interference of the wire wheel or brush with the guard.** Wire wheel or brush may expand in diameter due to work load and centrifugal forces.

#### **Additional Safety Information**

##### **Wear safety goggles.**

- ▶ **Use suitable detectors to determine if there are hidden supply lines or contact the local utility company for assistance.** Contact with electric cables can cause fire and electric shock. Damaging gas lines can lead to explosion. Breaking water pipes causes property damage.
- ▶ **Do not touch grinding and cutting discs until they have cooled down.** The discs can become very hot while working.
- ▶ **Release the On/Off switch and set it to the Off position when the power supply is interrupted, e.g. when the battery pack is removed.** This prevents uncon-

trolled restarting.

- ▶ **Secure the workpiece.** A workpiece clamped with clamping devices or in a vice is held more secure than by hand.
- ▶ **Do not open the battery.** There is a risk of short-circuiting.



**Protect the battery against heat, e.g. against continuous intense sunlight, fire, dirt, water and moisture.** There is a risk of explosion and short-circuiting.

- ▶ **In case of damage and improper use of the battery, vapours may be emitted. The battery can set alight or explode.** Ensure the area is well ventilated and seek medical attention should you experience any adverse effects. The vapours may irritate the respiratory system.

▶ **Only use the battery with products from the manufacturer.** This is the only way in which you can protect the battery against dangerous overload.

▶ **The battery can be damaged by pointed objects such as nails or screwdrivers or by force applied externally.** An internal short circuit may occur, causing the battery to burn, smoke, explode or overheat.

## Product Description and Specifications



**Read all safety warnings and all instructions.** Failure to follow the warnings and instructions may result in electric shock, fire and/or serious injury.

### Intended Use

The power tool is intended for cutting, roughing and brushing metal and stone materials, as well as making holes in stone materials using diamond core cutters, without the use of water.

A special protective guard for cutting must be used when cutting bonded abrasives.

Sufficient dust extraction must be provided when cutting stone.

With approved abrasive tools, the power tool can be used for sanding with sanding discs.

The power tool must not be used to grind concrete.

### Product Features

The numbering of the product features refers to the illustration of the machine on the graphics page.

- (1) Spindle lock button
- (2) Grinding spindle
- (3) Auxiliary handle (insulated gripping sur-

face)

- (4) On/off switch
- (5) Handle (insulated gripping surface)
- (6) Direction of rotation arrow on housing
- (7) Protective guard
- (8) Mounting flange
- (9) Cutting disc
- (10) Grinding disc
- (11) Round nut
- (12) Wrench
- (13) Battery release button
- (14) Battery
- (15) Speed adjustment button

## Technical Data

Model	PWS20H-125B
Voltage	DC 20V
Speed	4500/6500/8500 r/min
Disk diameter	φ125 mm
Spindle thread	M 14
Compatible battery (availability varies by package)	PH20-3.0 (3 Ah) PH20-4.0 (4 Ah) PH20-5.0 (5 Ah) PH20-6.0 (6 Ah)
Compatible charger (availability varies by package)	PH20-2.4A PH20-3.0A
weight	1.3 Kg

### Note

Since the product is constantly being improved, P.I.T. reserves the right to make changes to the specifications and product specifications specified here without prior notice.

### Assembly

- ▶ **Before any work on the machine itself (e.g. maintenance, tool change, etc.) as well as during transport and storage, remove the battery from the power tool.**

There is danger of injury when unintentionally actuating the On/Off switch.

### Battery Charging

- ▶ **Use only the chargers listed in the technical data.** Only P.I.T. chargers (listed in Technical Data table) are matched to the lithium-ion battery of your power tool.

**Note:** The battery is supplied partially charged. To ensure full battery capacity, fully charge the battery in the charger before using your power tool for the first time.

The lithium-ion battery can be charged at any time without reducing its service life. Interrupting the charging process does not damage

the battery.

The lithium-ion battery is protected against deep discharge by the "Electronic Cell Protection (ECP)". When the battery is discharged, the power tool is switched off by means of a protective circuit: The application tool no longer rotates.

- ▶ **Do not continue to press the On/Off switch after the power tool has automatically switched off.** The battery can be damaged.

Follow the instructions on correct disposal.

### Removing the Battery

The battery is equipped with two locking levels to prevent the battery from falling out if the battery release button is pressed unintentionally. As long as the battery is inserted in the power tool, it is held in position by means of a spring.

To remove the battery, press the release button and pull the battery out of the power tool.

**Do not use force to do this.**

### Fitting Protective Equipment

- ▶ **Remove the battery from the power tool before carrying out work on the power tool (e.g. maintenance, changing tool, etc.). The battery should also be removed for transport and storage.** There is risk of injury from unintentionally pressing the on/off switch.

**Note:** If the grinding disc breaks during operation or the holding fixtures on the protective guard/power tool become damaged, the power tool must be sent to the after-sales service immediately; see the "After-Sales Service and Application Service" section for addresses.

### Protective guard

Press the protective guard onto the spindle collar until the shoulder of the protective guard is sitting on the flange of the power tool and rotate the protective guard until it audibly clicks into place.

Adjust the position of the protective guard to meet the requirements of the operation. To do this, push the unlocking lever upward and rotate the protective guard into the required position.

**Always position the protective guard such that all three cams on the unlocking lever engage in the corresponding openings on the protective guard.**

**Adjust the protective guard such that sparking in the direction of the operator is prevented.**

### Side handle

- ▶ **Do not operate your power tool without the side handle.**

Screw the side handle on the left or right of the machine head depending on how your are working.

- ▶ **Do not make any alterations of any kind to the auxiliary handle.**

**Do not continue to use a damaged auxiliary handle.**

### Fitting the abrasive tools

- ▶ **Remove the battery from the power tool before carrying out work on the power tool (e.g. maintenance, changing tool, etc.). The battery should also be removed for transport and storage.** There is risk of injury from unintentionally pressing the on/off switch.

- ▶ **Do not touch grinding and cutting discs until they have cooled down.** The discs can become very hot while working.

Clean the grinding spindle and all the parts to be fitted. Lock the grinding spindle with the spindle lock button before clamping and releasing the abrasive tools.

- ▶ **Do not press the spindle lock button while the grinding spindle is moving.**

The power tool may become damaged if you do this.

Pay attention to the dimensions of the abrasive tools. The diameter of the hole must match that of the mounting flange. Do not use an adapter or reducer.

When using diamond cutting discs, ensure that the arrow indicating the direction of rotation on the diamond cutting disc matches the direction of rotation of the power tool (see the direction of rotation arrow on the machine head).

See the graphics page for fitting instructions.

Use the clamping nut to secure the grinding/cutting disc, and tighten the clamping nut with the combination wrench.

- ▶ **Only use clamping nuts that are in good working order and not damaged.**

- ▶ **Always secure a grinding/cutting disc using only the clamping nut supplied.**

Press the spindle lock button to lock the grinding spindle. To tighten the clamping nut, fold up the bar and turn the quick-clamping nut firmly clockwise. Then fold down the bar to secure the clamping nut. It is not sufficient to tighten the disc along the edge.



Clamping nuts that are properly secured and not damaged can be removed by hand. To do this, fold up the bar and turn the clamping nut firmly anticlockwise. If the clamping nut is stuck, do not attempt to loosen it with a tool – always use a two-pin spanner.

After fitting the mounting flange and the grinding/cutting disc, the free thread length of the grinding spindle must be **at least 4 mm**.

Ensure that the abrasive tool is firmly seated, so that it does not twist away from the spindle in the runout of the power tool.

► **After fitting the abrasive tool, check that the abrasive tool is fitted correctly and can turn freely before switching on the power tool. Make sure that the abrasive tool does not brush against the protective guard or other parts.**

Pay attention to the dimensions of the abrasive tools. The diameter of the hole must match that of the hub flange. Do not use an adapter or reducer.

When using diamond cutting discs, ensure that the arrow indicating the direction of rotation on the diamond cutting disc matches the direction of rotation of the power tool (see the direction of rotation arrow on the machine head).

See the graphics page for fitting instructions.

To fasten the grinding/cutting disc, screw on the clamping nut and tighten with the two-pin spanner.

► **After fitting the abrasive tool, check that the abrasive tool is fitted correctly and can turn freely before switching on the power tool. Make sure that the abrasive tool does not brush against the protective guard or other parts.**

#### Flap disc

► **Always fit the hand guard when working with the flap disc.**

#### Rubber Sanding Pad

See the graphics page for fitting instructions. Slide the rubber sanding pad onto the grinding spindle.

Press the sanding sheet firmly onto the underside of the rubber sanding pad.

Screw on the round nut and tighten with a two-pin spanner.

#### Cup brush/disc brush

The cup brush/disc brush must be screwed

onto the grinding spindle until it rests firmly against the grinding spindle flange at the end of the grinding spindle thread. Tighten the cup brush/disc brush with an open-ended spanner.

### Dust/Chip Extraction

Dust from materials such as lead-containing coatings, some wood types, minerals and metal can be harmful to one's health. Touching or breathing-in the dust can cause allergic reactions and/or lead to respiratory infections of the user or bystanders.

Certain dust, such as oak or beech dust, is considered carcinogenic, especially in connection with wood-treatment additives (chromate, wood preservative). Materials containing asbestos may only be worked by specialists.

– Provide for good ventilation of the working place.

– It is recommended to wear a P2 filter-class respirator.

Observe the relevant regulations in your country for the materials to be worked.

► **Avoid dust accumulation at the work-place.** Dust can easily ignite.

### Operation

#### Start-up

##### Inserting the battery

Push the charged battery into the base of the power tool from the front until the battery is securely locked.

##### Switching on/off

To **start** the power tool, push the on/off switch forward.

To **lock** the on/off switch in position, push the on/off switch forward and down until it clicks into place.

To **switch off** the power tool, release the on/off switch; or, if the switch is locked, briefly push the on/off switch backward and down and then release it.

##### Speed adjustment

To adjust the speed, press the speed adjustment button. Each time you press, you can change the speed by one level, and you can adjust three levels in total.

► **Always check abrasive tools before using them. The abrasive tool must be fitted properly and be able to move freely. Carry out a test run for at least one minute with no load. Do not use abrasive tools that are damaged, run untrue or vibrate during use.** Damaged abrasive tools can burst apart and cause injuries.



**Practical advice**

- ▶ Exercise caution when cutting slots in structural walls; see the “Information on structural design” section.
- ▶ Clamp the workpiece if it is not secure under its own weight.
- ▶ Do not load the power tool so heavily that it comes to a stop.
- ▶ If the power tool has been subjected to a heavy load, continue to run it at no-load for several minutes to cool down the accessory.
- ▶ Do not use the power tool with a cut-off stand.
- ▶ Do not touch grinding and cutting discs until they have cooled down. The discs can become very hot while working.

If the power tool becomes electrostatically charged, the built-in electronics will switch the power tool off. Press the on/off switch again to restart the power tool.

**Rough grinding**

- ▶ Never use cutting discs for rough grinding.

The best rough grinding results are achieved with a set angle of 30° to 40°. Move the power tool back and forth with moderate pressure. This will ensure that the workpiece does not become too hot or discolour and that grooves are not formed.

**Flap disc**

The flap disc enables you to machine curved surfaces and profiles.

Flap discs have a considerably longer service life, lower noise levels and lower sanding temperatures than conventional grinding discs.

**Cutting metal**

- ▶ Always use the protective guard when cutting bonded abrasives.

When carrying out abrasive cutting, use a moderate feed that is suited to the material being machined. Do not exert pressure on the cutting disc and do not tilt or swing the power tool.

Do not attempt to reduce the speed of a cutting disc coming to a stop by applying pressure from the side.

The power tool must always work in an up-grinding motion. Otherwise there is a risk that it will be pushed **uncontrolled** out of the cut.

For best results when cutting profiles and rectangular tubing, start at the smallest cross section.

**Cutting Stone**

- ▶ Provide sufficient dust extraction when

**cutting stone.**

- ▶ Wear a dust mask.
- ▶ The power tool may be used only for dry cutting/grinding.

For best results when cutting stone, use a diamond cutting disc.

When using the extraction guard for cutting with a cutting guide, the vacuum cleaner must be approved for vacuuming stone dust. Suitable vacuum cleaners are available from P.I.T. Switch on the power tool and position it with the front part of the cutting guide on the workpiece. Move the power tool with a moderate feed motion that is suited to the material being machined.

When cutting especially hard materials such as concretion with a high pebble content, the diamond cutting disc can overheat and become damaged as a result. This is clearly indicated by circular sparking, rotating with the diamond cutting disc.

If this happens, stop cutting and allow the diamond cutting disc to cool down by running the power tool for a short time at maximum speed with no load.

If work is noticeably slower and with circular sparking, this indicates that the diamond cutting disc that has become dull. You can re-sharpen the disc by briefly cutting into abrasive material (e.g. lime-sand brick).

**Information on structural design**

Slots in load-bearing walls are subject to DIN 1053 part 1 or country-specific regulations. These regulations must be observed under all circumstances. Seek advice from the responsible structural engineer, architect or construction supervisor before starting work.

**Recommendations for optimal handling of the battery**

Protect the battery against moisture and water.

Only store the battery only within a temperature range of -20 to 50 °C. Do not leave the battery in your car in the summer, for example.

Occasionally clean the ventilation slots on the battery using a soft brush that is clean and dry.

A significantly reduced operating time after charging indicates that the battery has deteriorated and must be replaced. Follow the instructions on correct disposal.

**Maintenance and Service**

**Maintenance and Cleaning**

- ▶ Before any work on the machine itself (e.g. maintenance, tool change, etc.) as

**well as during transport and storage, remove the battery from the power tool.**

There is danger of injury when unintentionally actuating the On/Off switch.

- **For safe and proper working, always keep the machine and ventilation slots clean.**

When the battery is no longer operative, please refer to an authorized after-sales service agent for P.I.T. power tools.

#### **Dispose of waste**

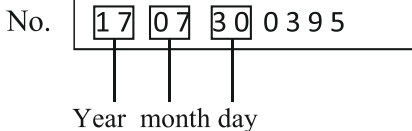
Damaged power tools, batteries, accessories and waste packaging materials must be recycled and reused in an environmentally friendly manner.



Do not throw power tools and accumulators

into general household waste!

#### **Product serial number interpretation serial number**



The first and second digits of the product serial number from left to right

Year of production, the third and fourth digits indicate the month of production, the

The fifth and sixth digits indicate the production day.

#### **TERMS OF WARRANTY SERVICE**

1. This Warranty Certificate is the only document that confirms your right to free warranty service. Without presenting this certificate, no claims are accepted. In case of loss or damage, the warranty certificate is not restored.

2. The warranty period for the electric machine is 12 months from the date of sale, during the warranty period the service department eliminates manufacturing defects and replaces parts that have failed due to the fault of the manufacturer free of charge. In the warranty repair, an equivalent operable product is not provided. Replaceable parts become property of service providers.

P.I.T is not liable for any damage that may be caused by operation of the electric machine.

3. Only clean tool accompanied with the following duly executed documents: this Warranty Certificate, Warranty Card, with all fields filled out, bearing the stamp of the trade organization and the signature of the buyer, shall be accepted for warranty repair.

4. Warranty repair is not performed in the following cases:

- in the absence of a Warranty Certificate and a Warranty Card or their incorrect execution;
- with failure of both a rotor and a stator of the electric engine, charring or melting of primary winding of the welding machine transformer, charging or starting-charging device, with internal parts melting, burn down of electronic circuit boards;

- if a Warranty Certificate or a Warranty Card does not correspond to this electric machine or to the form established by the supplier;

- upon expiration of the warranty period;

- at attempts of opening or repair of the electric machine outside the warranty workshop; making constructive changes and lubrication of the tool during the warranty period, as evidenced, for example, by the creases on the spline parts of the fasteners of non-rotational parts.

- when using electric tools for production or other purposes connected with making a profit, as well as in case of malfunctions related to instability of the power network parameters exceeding the norms established by GOST;

- in the events of improper operation (use the electric machine for other than intended purposes, attachments to the electric machine of attachments, accessories, etc. not provided by the manufacturer);

- with mechanical damage to the case, power cord and in case of damages caused by aggressive agents and high and low temperatures, ingress of foreign objects in the ventilation grids of the electric machine, as well as in case of damage resulting from improper storage (corrosion of metal parts);

- natural wear and tear on the parts of the electric machine, as a result of long-term operation (determined on the basis of the signs of full or partial depletion of the specified mean life, great contamination, presence of rust outside and inside the electric machine, waste lubricant in the gearbox);

- use of the tool the purposes for other than specified in the operating instructions.

- mechanical damages to the tool;

- in the event of damages due to non-observance of the operating conditions specified in the instruction (see chapter "Safety Precautions" of the Manual).

- damage to the product due to non-observance of the rules of storage and transportation.

Preventive maintenance of electric machines



(cleaning, washing, lubrication, replacement of anthers, piston and sealing rings) during the warranty period is a paid service.

The service life of the product is determined by the manufacturer and is 2 years from the date of manufacture.

The owner is notified of any possible violations of the above terms of warranty service upon completion of diagnostics in the service center.

The owner of the tool entrusts the diagnostic procedure to be conducted in the service center in his absence.

Do not operate the electric machine when there are signs of excessive heat, sparking, or noise in the gearbox. To determine the cause of the malfunction, the buyer should contact the warranty service center.

Malfunctions caused by late replacement of carbon brushes of the engine are eliminated at the expense of the buyer.

5. The warranty does not cover:

- replacement accessories (accessories and components), for example: batteries, discs, blades, drill bits, borers, chucks, chains, sprockets, collet clamps, guide rails, tension and fastening elements, trimming device heads, base of grinding and belt sander machines, hexagonal heads, etc.,
- fast wearing parts, for example: carbon brushes, drive belts, seals, protective covers, guiding rollers, guides, rubber seals, bearings, toothed belts and wheels, shanks, brake belts, starter ratchets and ropes, piston rings, etc. Their replacement during the warranty period is a paid service;
- power cords, in case of damage to the insulation, power cords are subject to mandatory replacement without the consent of the owner (paid service);
- tool case.

## Русский

### Общие указания по технике безопасности для электроинструментов

**⚠ ПРЕДУПРЕЖДЕНИЕ** Прочтите все указания и инструкции по технике.

безопасности. Несоблюдение указаний и инструкций по технике безопасности может стать причиной поражения электрическим током, пожара и тяжелых травм.

### Сохраняйте эти инструкции и указания для будущего использования.

Использованное в настоящих инструкциях и указаниях понятие «электроинструмент» распространяется на электроинструмент с питанием от сети (с сетевым шнуром) и на аккумуляторный электроинструмент (без сетевого шнура).

### Безопасность рабочего места

- ▶ **Содержите рабочее место в чистоте и хорошо освещенным.** Беспорядок или неосвещенные участки рабочего места могут привести к несчастным случаям.
- ▶ **Не работайте с этим электроинструментом во взрывоопасном помещении, в котором находятся горючие жидкости, воспламеняющиеся газы или пыль.**

Электроинструменты искрят, что может привести к воспламенению пыли или паров.

- ▶ **Во время работы с электроинструментом не допускайте близко к Вашему рабочему месту детей и посторонних лиц.** Отвлечшись, Вы можете потерять

контроль над электроинструментом.

### Электробезопасность

- ▶ **Штепсельная вилка электроинструмента должна подходить к штепсельной розетке.** Ни в коем случае не изменяйте штепсельную вилку. Не применяйте переходные штекеры для электроинструментов с защитным заземлением. Неизменные штепсельные вилки и подходящие штепсельные розетки снижают риск поражения электротоком.
- ▶ **Предотвращайте телесный контакт с заземленными поверхностями, как то: с трубами, элементами отопления, кухонными плитами и холодильниками.** При заземлении Вашего тела повышается риск поражения электротоком.
- ▶ **Защищайте электроинструмент от дождя и сырости.** Проникновение воды

в электроинструмент повышает риск поражения электротоком.

- ▶ **Не разрешается использовать шнур не по назначению, например, для транспортировки или подвески электроинструмента, или для вытягивания вилки из штепсельной розетки.** Защищайте шнур от воздействия высоких температур, масла, острых кромок или подвижных частей электроинструмента. Поврежденный или спутанный шнур повышает риск поражения электротоком.
- ▶ **При работе с электроинструментом под открытым небом применяйте пригодные для этого кабели удлинители.** Применение пригодного для работы под открытым небом кабеля удлинителя снижает риск поражения электротоком.
- ▶ **Если невозможно избежать применения электроинструмента в сыром помещении, подключайте электроинструмент через устройство защитного отключения.** Применение устройства защитного отключения снижает риск электрического поражения.

### Безопасность людей

- ▶ **Будьте внимательными, следите за тем, что Вы делаете, и продуманно начинайте работу с электроинструментом. Не пользуйтесь электроинструментом в усталом состоянии или если Вы находитесь в состоянии наркотического или алкогольного опьянения или под воздействием лекарств.** Один момент невнимательности при работе с электроинструментом может привести к серьезным травмам.
- ▶ **Применяйте средства индивидуальной защиты и всегда защитные очки.** Использование средств индивидуальной защиты, как то: защитной маски, обуви на нескользящей подошве, защитного шлема или средств защиты органов слуха, – в зависимости от вида работы с электроинструментом снижает риск получения травм.
- ▶ **Предотвращайте непреднамеренное включение электроинструмента.** Перед подключением электроинструмента к электропитанию и/или к аккумулятору убедитесь в выключенном состоянии электроинструмента. Удержание пальца на выключателе при транспортировке электроинструмента и

подключении к сети питания включенного электроинструмента чревато несчастными случаями.

- ▶ **Убирайте установочный инструмент или гаечные ключи до включения электроинструмента.** Инструмент или ключ, находящийся во вращающейся части электроинструмента, может привести к травмам.
- ▶ **Не принимайте неестественное положение корпуса тела.** Всегда занимайте устойчивое положение и сохраняйте равновесие. Благодаря этому Вы можете лучше контролировать электроинструмент в неожиданных ситуациях.
- ▶ **Носите подходящую рабочую одежду. Не носите широкую одежду и украшения.** Держите волосы, одежду и перчатки вдали от движущихся частей. Широкая одежда, украшения или длинные волосы могут быть затянуты вращающимися частями.
- ▶ **При наличии возможности установки пылеотсасывающих и пылесборных устройств проверяйте их присоединение и правильное использование.** Применение пылесоса может снизить опасность, создаваемую пылью.
- ▶ **ВНИМАНИЕ! В случае возникновения перебора в работе электроинструмента вследствие полного или частичного прекращения энергоснабжения или повреждения цепи управления энергоснабжением установите выключатель в положение Выкл., убедившись, что он не заблокирован (при его наличии).** Отключите сетевую вилку от розетки или отсоедините съёмный аккумулятор. Этим предотвращается неконтролируемый повторный запуск.

**Применение электроинструмента и обращение с ним**

- ▶ **Не перегружайте электроинструмент. Используйте для Вашей работы предназначенный для этого электроинструмент.** С подходящим электроинструментом Вы работаете лучше и надежнее в указанном диапазоне мощности.
- ▶ **Не работайте с электроинструментом при неисправном выключателе.** Электроинструмент, который не поддается включению или выключению, опасен и должен быть отремонтирован.
- ▶ **До начала наладки электроинстру-**

**мента, перед заменой принадлежностей и прекращением работы отключайте штепсельную вилку от розетки сети и/или выньте аккумулятор.** Эта мера предосторожности предотвращает непреднамеренное включение электроинструмента.

- ▶ **Храните электроинструменты в недоступном для детей месте. Не разрешайте пользоваться электроинструментом лицам, которые не знакомы с ним или не читали настоящих инструкций.** Электроинструменты опасны в руках неопытных лиц.
- ▶ **Тщательно ухаживайте за электроинструментом.** Проверяйте безупречную функцию и ход движущихся частей электроинструмента, отсутствие поломок или повреждений, отрицательно влияющих на функцию электроинструмента. Поврежденные части должны быть отремонтированы до использования электроинструмента. Плохое обслуживание электроинструментов является причиной большого числа несчастных случаев.
- ▶ **Держите режущий инструмент в заточенном и чистом состоянии.** Заботливо ухоженные режущие инструменты с острыми режущими кромками режут заклиниваются и их легче вести.
- ▶ **Применяйте электроинструмент, принадлежности, рабочие инструменты и т. п. в соответствии с настоящими инструкциями.** Учитывайте при этом рабочие условия и выполняемую работу. Использование электроинструментов для непредусмотренных работ может привести к опасным ситуациям.

**Применение и обслуживание аккумуляторного инструмента**

- ▶ **Заряжайте аккумуляторы только в зарядных устройствах, рекомендуемых изготовителем.** Зарядное устройство, предусмотренное для определенного вида аккумуляторов, может привести к пожарной опасности при использовании его с другими аккумуляторами.
- ▶ **Применяйте в электроинструментах только предусмотренные для этого аккумуляторы.** Использование других аккумуляторов может привести к травмам и пожарной опасности.
- ▶ **Защищайте неиспользуемый аккумулятор от канцелярских скрепок, монет, ключей, гвоздей, винтов и**

других маленьких металлических предметов, которые могут закоротить полюса. Короткое замыкание полюсов аккумулятора может привести к ожогам или пожару.

- ▶ При неправильном использовании из аккумулятора может потечь жидкость. Избегайте соприкосновения с ней. При случайном контакте промойте соответствующее место водой. Если эта жидкость попадет в глаза, то дополнительно обратитесь за помощью к врачу. Вытекающая аккумуляторная жидкость может привести к раздражению кожи или к ожогам.

## Сервис

- ▶ Ремонт Вашего электроинструмента поручайте только квалифицированному персоналу и только с применением оригинальных запасных частей. Этим

обеспечивается безопасность электроинструмента.

Указания по технике безопасности для угловых шлифмашин

Общие предупредительные указания по шлифованию, шлифованию наждачной бумагой, для работ с проволочными щетками или отрезными шлифовальными кругами

- ▶ Этот электроинструмент предназначен для шлифования, шлифования наждачной бумагой, крацевания проволочными щетками или абразивного отрезания. Прочитайте все указания по технике безопасности, инструкции, иллюстрации и спецификации, предоставленные вместе с настоящим электроинструментом. Несоблюдение какихлибо из указанных ниже инструкций может стать причиной поражения электрическим током, пожара и/или тяжелых травм.
- ▶ Этот электроинструмент непригоден для полирования. Применение электроинструмента не по назначению чревато опасностями и травмами.
- ▶ Не применяйте принадлежности, которые не предусмотрены и не рекомендуются изготовителем специально для настоящего электроинструмента. Одна только возможность крепления принадлежностей на электроинструменте еще не гарантирует их надежное применение.
- ▶ Допустимое число оборотов рабоче-

го инструмента должно быть не менее указанного на электроинструменте максимального числа оборотов. Рабочий инструмент, вращающийся с большей, чем допустимо, скоростью, может разорваться и разлететься в пространстве.

- ▶ Наружный диаметр и толщина применяемого рабочего инструмента должны соответствовать размерам электроинструмента. Неправильно подобранные принадлежности не могут быть в достаточной степени защищены и могут выйти изпод контроля.
- ▶ Сменные рабочие инструменты с резьбой должны точно подходить к резьбе шлифовального шпинделя. В сменных рабочих инструментах, монтируемых с помощью фланца, диаметр отверстия рабочего инструмента должен подходить к диаметру отверстия во фланце. Сменные рабочие инструменты, неточно закрепленные на электроинструменте, вращаются неравномерно, очень сильно вибрируют, что может привести к выходу инструмента изпод контроля.
- ▶ Не применяйте поврежденный рабочий инструмент. Проверяйте каждый раз перед использованием устанавливаемые принадлежности, как то: шлифовальные круги на сколы и трещины, шлифовальные тарелки на трещины, риски или сильный износ, проволочные щетки на незакрепленные или поломанные проволоки. При падении электроинструмента или рабочего инструмента проверьте, не поврежден ли он, или установите неповрежденный рабочий инструмент. После проверки и закрепления рабочего инструмента Вы и все находящиеся вблизи лица должны занять положение за пределами плоскости вращения инструмента, после чего включите электроинструмент на одну минуту на максимальное число оборотов без нагрузки. Поврежденный рабочий инструмент разрушается в большинстве случаев за это время контроля.
- ▶ Применяйте средства индивидуальной защиты. В зависимости от выполняемой работы применяйте защитный щиток для лица, защитное средство для глаз или защитные очки. При необходимости применяйте

противопылевой респиратор, средства защиты органов слуха, защитные перчатки или специальный фартук, которые защищают от абразивных частиц и частиц материала. Глаза должны быть защищены от летающих в воздухе посторонних частиц, которые могут образовываться при выполнении различных работ. Противопылевой респиратор или защитная маска органов дыхания должны задерживать образующуюся при работе пыль. Продолжительное воздействие сильного шума может привести к потере слуха.

- ▶ **Следите за тем, чтобы все люди находились на безопасном расстоянии от рабочего участка. Каждый человек в пределах рабочего участка должен иметь средства индивидуальной защиты.** Осколки детали или разрушенных рабочих инструментов могут отлететь в сторону и стать причиной травм также и за пределами непосредственно рабочего участка.
- ▶ **При выполнении работ, при которых рабочий инструмент может задеть скрытую электропроводку, держите инструмент только за изолированные поверхности.** Контакт с находящейся под напряжением проводкой может зарядить металлические части электроинструмента и привести к удару электрическим током.
- ▶ **Никогда не кладите электроинструмент, пока вращающийся рабочий инструмент полностью не остановится.** Вращающийся рабочий инструмент может зацепиться за поверхность, что может повлечь утрату контроля над электроинструментом.
- ▶ **Обязательно выключайте электроинструмент при транспортировке.** При случайном контакте вращающегося рабочего инструмента с одеждой он может зацепиться за нее и впиться в тело.
- ▶ **Регулярно очищайте вентиляционные прорези электроинструмента.** Вентилятор двигателя затягивает пыль в корпус, и большое скопление металлической пыли может привести к опасному поражению электрическим током.
- ▶ **Не пользуйтесь электроинструментом вблизи горючих материалов.** Искры могут воспламенить эти материалы.
- ▶ **Не используйте рабочий инструмент, требующий применения охлаждаю-**

**щих жидкостей.** Применение воды или других охлаждающих жидкостей может привести к поражению электротоком.

### **Обратный удар и соответствующие предупредительные указания**

Обратный удар – это внезапная реакция в результате заедания или блокирования вращающегося шлифовального круга, шлифовальной тарелки, проволочной щетки и т.д. Заедание или блокирование ведет к резкому останову вращающегося рабочего инструмента, в результате чего неконтролируемый электроинструмент отбрасывается против направления вращения рабочего инструмента.

Например, если шлифовальный круг заедает или блокируется в заготовке, то погруженная в заготовку кромка шлифовального круга может быть зажата и в результате привести к выскакиванию круга из заготовки или к обратному удару. При этом шлифовальный круг движется на оператора или от него, в зависимости от направления вращения круга на месте блокирования. При этом шлифовальный круг может ползаться.

Обратный удар является следствием неправильного использования электроинструмента или ошибки оператора. Он может быть предотвращен описанными ниже мерами предосторожности.

- ▶ **Крепко держите электроинструмент, тело и руки должны занять положение, в котором можно противодействовать силам обратного удара.** При наличии, всегда применяйте дополнительную рукоятку, чтобы как можно лучше противодействовать силам обратного удара или реакционным моментам при наборе оборотов. Оператор может подходить мерами предосторожности противодействовать силам обратного удара и отталкивающим силам.
- ▶ **Никогда не держите руки вблизи вращающегося рабочего инструмента.** При обратном ударе рабочий инструмент может отскочить на руку.
- ▶ **Держитесь в стороне от участка, куда при обратном ударе будет перемещаться электроинструмент.** Обратный удар перемещает электроинструмент в направлении противоположном движению шлифовального круга в месте блокирования.
- ▶ **Особенно осторожно работайте на**



**углах, острых кромках и т. д. Предотвращайте отскок рабочего инструмента от заготовки и его заклинивание.** Вращающийся рабочий инструмент склонен к заклиниванию или отскоку при работе в углах и на острых кромках. Это вызывает потерю контроля или обратный удар.

- ▶ **Не применяйте пильные цепи или пильные полотна.** Такие рабочие инструменты часто становятся причиной обратного удара или потери контроля над электроинструментом.

**Специальные предупредительные указания по шлифованию и обрезанию**

- ▶ **Применяйте допущенные исключительно для данного электроинструмента шлифовальные круги и предусмотренные для них защитные кожухи.** Шлифовальные круги, не предусмотренные для этого электроинструмента, не могут быть достаточно закрыты и представляют собой опасность.
- ▶ **Изогнутые шлифовальные круги необходимо монтировать таким образом, чтобы их шлифовальная поверхность не выступала за край защитного кожуха.** Неправильно смонтированный шлифовальный круг, выступающий за край защитного кожуха, не прикрывается достаточным образом.
- ▶ **Защитный кожух необходимо надежно установить на электроинструмент и настроить с максимальным уровнем безопасности таким образом, чтобы в сторону пользователя смотрела как можно меньшая часть неприкрытого шлифовального круга.** Защитный кожух защищает оператора от обломков, случайного контакта со шлифовальным кругом и искрай, от которых может воспламениться одежда.
- ▶ **Шлифовальные круги допускается применять только для рекомендуемых работ. Например: никогда не шлифуйте боковой поверхностью отрезного круга.** Отрезные круги предназначены для съема материала кромкой. Воздействием боковых сил на этот абразивный инструмент можно сломать его.
- ▶ **Всегда применяйте неповрежденные зажимные фланцы с правильными размерами и формой для выбранного шлифовального круга.** Правильные фланцы являются опорой для шлифо-

вального круга и уменьшают опасность его поломки. Фланцы для отрезных кругов могут отличаться от фланцев для шлифовальных кругов.

- ▶ **Не применяйте изношенные шлифовальные круги от больших электроинструментов.** Шлифовальные круги для больших электроинструментов непригодны для высоких скоростей вращения маленьких электроинструментов, и их может разорвать.

**Дополнительные специальные предупредительные указания для отрезания шлифовальным кругом**

- ▶ **Предотвращайте блокирование отрезного круга и избыточное усилие прижатия. Не выполняйте слишком глубокие резы.** Чрезмерное нажатие на отрезной круг повышает его нагрузку и склонность к перекашиванию или блокированию, а также опасность обратного удара или поломки абразивного инструмента.
- ▶ **Избегайте зоны впереди и позади вращающегося отрезного круга.** Если Вы ведете отрезной круг в заготовке от себя, то в случае обратного удара электроинструмент с вращающимся кругом может отскочить прямо на Вас.
- ▶ **При заклинивании отрезного круга и при перерыве в работе выключайте электроинструмент и держите его спокойно и неподвижно до остановки круга.** Никогда не пытайтесь вынуть еще вращающийся отрезной круг из разреза, так как это может привести к обратному удару. Установите и устраните причину заклинивания.
- ▶ **Не включайте повторно электроинструмент, пока абразивный инструмент находится в заготовке. Дайте отрезному кругу развить полное число оборотов, перед тем как осторожно продолжить резание.** В противном случае круг может заесть, он может выскочить из обрабатываемой заготовки и привести к обратному удару.
- ▶ **Плиты или большие заготовки должны быть надежно подперты, чтобы снизить опасность обратного удара при заклинивании отрезного круга.** Большие заготовки могут прогибаться под собственным весом. Заготовка должна подпираться с обеих сторон отрезного круга, как вблизи разреза, так и по краям.

► Будьте особенно осторожны при выполнении разрезов в стенах или других слепых зонах. Погружающийся отрезной круг может при попадании на газовый трубопровод или водопровод, электрическую проводку или другие объекты привести к обратному удару.

**Специальные предупредительные указания для шлифования наждачной бумагой**


► Не применяйте шлифовальную шкурку размером больше нужного. Руководствуйтесь указаниями изготовителя относительно размеров шлифовальной шкурки. Шлифовальная шкурка, выступающая за край шлифовальной тарелки, может стать причиной травм и заклинивания, может порваться или привести к обратному удару.

**Особые предупредительные указания для работ с проволочными щетками**

► Учитывайте, что проволочные щетки теряют кусочки проволоки даже при нормальной работе. Не перегружайте щетку чрезмерным усилием прижатия. Отлетающие куски проволоки могут без труда проткнуть тонкую одежду и/или кожу.

► Если для работы рекомендуется использовать защитный кожух, исключайте соприкосновение тарельчатой или чашечной проволочной щетки с кожухом. Тарельчатые и чашечные щетки могут увеличивать свой диаметр под действием усилия прижатия и центробежных сил.

**Дополнительные указания по технике**

 **безопасности Используйте защитные очки.**


► Используйте соответствующие металлоискатели для нахождения спрятанных в стене труб или проводки или обращайтесь за справкой в местное коммунальное предприятие. Контакт с электропроводкой может привести к пожару и поражению электротоком. Повреждение газопровода может привести к взрыву. Повреждение водопровода ведет к нанесению материального ущерба.

► Не прикасайтесь к шлифовальным и отрезным кругам, пока они не остынут. Круги сильно нагреваются во время работы.

► Снимите фиксацию выключателя и установите его в положение Выкл., если был перебой в электроснабжении, например, при извлечении аккумулятора. Этим предотвращается неконтролируемый повторный запуск.

► **Закрепите заготовку.** Заготовка, установленная в зажимное приспособление или в тиски, удерживается более надежно, чем в Вашей руке.

► **Не вскрывайте аккумулятор.** При этом возникает опасность короткого замыкания.


 **Защищайте аккумуляторную батарею от высоких температур, напр., от длительного нагревания на солнце, от огня, воды и влаги.** Существует опасность взрыва.

► При повреждении и ненадлежащем использовании аккумулятора может выделиться газ. Обеспечьте приток свежего воздуха и при возникновении жалоб обратитесь к врачу. Газы могут вызвать раздражение дыхательных путей.

► Используйте аккумулятор только в комбинации со своим инструментом P.I.T.ко так аккумулятор защищен от опасной перегрузки.

► Острыми предметами, как напр., гвоздем или отверткой, а также внешним силовым воздействием можно повредить аккумуляторную батарею. Это может привести к внутреннему короткому замыканию, возгоранию с задымлением, взрыву или перегреву аккумуляторной батареи.

## Описание продукта и услуг

 **Прочтите все указания и инструкции по технике безопасности.**

Несоблюдение указаний по технике безопасности и инструкций может привести к поражению электрическим током, пожару и/или тяжелым травмам.

Пожалуйста, соблюдайте иллюстрации в начале руководства по эксплуатации.

### Применение по назначению

Электроинструмент предназначен для резки, обдирки и крацевания металлических и каменных материалов без использования воды.

Для резки с помощью связанных абразивов необходимо использовать специальный защитный кожух для резки. Для резки камня



необходимо обеспечить достаточное удаление пыли.

В комбинации с допущенными шлифовальными инструментами электроинструмент можно использовать для шлифования наждачной бумагой.

#### Изображенные составные части

Нумерация представленных компонентов выполнена по изображению на странице с иллюстрациями.

- (1) Кнопка фиксации шпинделя
- (2) Шлифовальный шпиндель
- (3) Дополнительная рукоятка (с изолированной поверхностью)
- (4) Выключатель
- (5) Рукоятка (с изолированной поверхностью)
- (6) Стрелка направления вращения на корпусе
- (7) Защитный кожух
- (8) Опорный фланец
- (9) Отрезной диск
- (10) Шлифовальный круг
- (11) Круглая гайка
- (12) гаечный ключ
- (13) Кнопка разблокировки аккумулятора
- (14) Аккумулятор
- (15) Кнопка регулировки скорости

#### Технические данные

Модель	PWS20H-125B
Напряжение	DC 20 В
Число Оборотов	4500 / 6500 / 8500 об / мин
Диаметр диска	φ125 мм
Резьба Шпинделя	M14
Совместимая аккумуляторная батарея (наличие зависит от комплекта поставки)	PH20-3.0 (3 Ач) PH20-4.0 (4 Ач) PH20-5.0 (5 Ач) PH20-6.0 (6 Ач)
Совместимое зарядное устройство (наличие зависит от комплекта поставки)	PH20-2.4 А PH20-3.0 А
вес	1,3 кг

#### Примечание

Так как изделие постоянно совершенствуется, P.I.T. оставляет за собой право на внесение изменений в указанные здесь технические характеристики и комплектацию изделия без предварительного уведомления.

#### Сборка

- ▶ До начала работ по техобслужива-

нию, смене инструмента и т. д., а также при транспортировке и хранении извлекайте аккумулятор из электроинструмента. При непреднамеренном включении возникает опасность травмирования.

#### Зарядка аккумулятора

- ▶ **Применяйте только перечисленные на странице принадлежности зарядные устройства.** Только эти зарядные устройства пригодны для литиевоионного аккумулятора Вашего электроинструмента.

**Указание:** Аккумуляторная батарея поставляется частично заряженной. Для обеспечения полной мощности аккумулятора зарядите его полностью перед первым применением.

Литий-ионный аккумулятор может быть заряжен в любое время без сокращения срока службы. Прекращение процесса зарядки не наносит вреда аккумулятору.

Литиево-ионная аккумуляторная батарея защищена от глубокой разрядки системой „Electronic Cell Protection“ (ECP). Защитная схема выключает электроинструмент при разряженном аккумуляторе – рабочий инструмент останавливается.

- ▶ **После автоматического выключения электроинструмента не нажимайте больше на выключатель.** Аккумулятор может быть поврежден.

Учитывайте указания по утилизации.

#### Извлечение аккумулятора

Аккумулятор оснащен двумя ступенями фиксирования, призванными предотвращать выпадение аккумулятора при непреднамеренном нажатии на кнопку разблокировки. Пока аккумулятор находится в электроинструменте, пружина держит его в соответствующем положении.

Чтобы извлечь аккумуляторную батарею нажмите на кнопку разблокировки и извлеките аккумулятор, потянув его вперед из электроинструмента. **Не применяйте при этом силы.**

#### Монтаж защитных устройств

- ▶ **До начала работ по техобслуживанию, смене инструмента и т. д., а также при транспортировке и хранении извлекайте аккумулятор из электроинструмента.** При непреднамеренном включении возникает опасность травмирования.

**Указание:** При поломке шлифовального

круга во время работы или при повреждении устройств крепления за щитного кожуха/электроинструмента электроинструмент должен быть немедленно направлен в сервисную мастерскую.

### **Защитный кожух для шлифования**

Положите защитный кожух на крепление на электроинструменте так, чтобы кодирующие кулачки защитного кожуха соответствовали креплению. При этом нажмите и держите нажатым рычаг разблокировки. Надавливая на защитный кожух, наденьте его на шейку шпинделя так, чтобы буртик защитного кожуха сел на фланец электроинструмента, и поворачивайте защитный кожух, пока он не войдет отчетливо в зацепление.

Отрегулируйте положение защитного кожуха в соответствии с требованиями рабочего процесса. Для этого прижмите рычаг разблокировки вверх и поверните защитный кожух в требуемое положение.

- ▶ **Устанавливайте защитный кожух всегда.**
- ▶ **Устанавливайте защитный кожух таким образом, чтобы он предотвращал полет искр в направлении пользователя.**

### **Защитный кожух для резки**

- ▶ **Для резки с помощью отрезных кругов всегда используйте защитный кожух для резки.**
- ▶ **Для резки камня необходимо обеспечить достаточное удаление пыли.**

Защитный кожух для резки монтируется так же, как и защитный кожух для шлифования **Защитный кожух для резки с направляющими салазками**

Защитный кожух для резки с направляющими салазками монтируется так же, как и защитный кожух для шлифования.

### **Дополнительная рукоятка**

- ▶ **Работайте с электроинструментом только с дополнительной рукояткой.**

Привинтите дополнительную рукоятку справа или слева от редукторной головки в зависимости от способа работы.

### **Виброгасящая дополнительная рукоятка**

Виброгасящая дополнительная рукоятка уменьшает уровень вибрации и обеспечивает этим более комфортную работу.

- ▶ **Ничего не меняйте в дополнительной рукоятке.**

**Не пользуйтесь поврежденной дополнительной рукояткой.**

## **Монтаж шлифовальной оснастки**

▶ **До начала работ по техобслуживанию, смене инструмента и т. д., а также при транспортировке и хранении извлекайте аккумулятор из электроинструмента.** При непреднамеренном включении возникает опасность травмирования.

- ▶ **Не прикасайтесь к шлифовальным и отрезным кругам, пока они не остынут.** Круги сильно нагреваются во время работы.

Очистите шлифовальный шпиндель и все монтируемые детали.

Для закрепления и отпускания шлифовальной оснастки нажмите кнопку фиксации шпинделя, чтобы зафиксировать шлифовальный шпиндель.

- ▶ **Нажимайте на кнопку фиксации шпинделя только при остановленном шпинделе!** В противном случае электроинструмент может быть поврежден.

### **Шлифовальный круг/отрезной круг**

Примите во внимание размеры шлифовальной оснастки. Диаметр посадочного отверстия должен соответствовать опорному фланцу. Не применяйте адаптеры или переходники.

При использовании алмазных отрезных кругов следите за тем, чтобы стрелка направления вращения на алмазном отрезном круге и направление вращения электроинструмента (см. стрелку направления вращения на редукторной головке) совпадали.

Последовательность монтажа показана на странице с иллюстрациями.

- ▶ **Используйте только исправную, неповрежденную гайку.**
- ▶ **При навинчивании следите за тем, чтобы сторона быстросъемной гайки с надписью не была обращена к шлифовальному кругу.**
- ▶ **Для закрепления шлифовальных/отрезных кругов используйте исключительно гайку.**

Для фиксирования шлифовального шпинделя нажмите кнопку фиксирования шпинделя. **Затягивание за обод диска не является достаточным.**

После монтажа опорного фланца и шлифовального/отрезного круга длина свободной резьбы шлифовального шпинделя должна составлять **не менее 4 мм.**

Следите за прочностью посадки шлифовального инструмента, чтобы он не открутился со шпинделя при выбеге электроинструмента.

► После монтажа шлифовального инструмента проверьте перед включением правильность монтажа и свободное вращение инструмента. Проверьте свободное вращение шлифовального инструмента без трения о защитный кожух или другие части.

**Веерный шлифовальный круг**

► Для работ с веерным шлифовальным кругом всегда устанавливайте защитный щиток для руки.

**Резиновая шлифовальная тарелка**

► Для работ с резиновой шлифовальной тарелкой всегда устанавливайте защитный щиток для руки.

Последовательность монтажа показана на странице с иллюстрациями.

Наденьте резиновую шлифовальную тарелку на шлифовальный шпиндель.

Прижмите шлифовальную шкурку к нижней стороне резиновой опорной шлифовальной тарелки.

Накрутите круглую гайку и затяните ее с помощью рожкового ключа под два отверстия.

**Чашечная щетка/дисковая щетка**

► Для работ с чашечной щеткой или дисковой щеткой всегда устанавливайте защитный щиток для руки.

Чашечная/дисковая щетка должна навинчиваться на шпиндель так, чтобы она плотно прилегала к фланцу шпинделя в конце резьбы шпинделя. Крепко затяните чашечную/дисковую щетку вилочным гаечным ключом.

**Твердосплавный чашечный шлифовальный круг**

► Использование чашечного шлифовального круга допускается только вместе с соответствующим защитным кожухом.

**Допустимая шлифовальная оснастка**

К применению допускаются все виды шлифовальной оснастки, указанные в настоящем руководстве по эксплуатации.

Допустимое число оборотов [мин<sup>-1</sup>] или окружная скорость [м/с] применяемой шлифовальной оснастки должны по крайней мере соответствовать данным из следующей таблицы.

Соблюдайте допустимое число оборотов или окружную скорость, указанные на этикетке шлифовальной оснастки.

**Удаление пыли и стружки**

Пыль некоторых материалов, как напр., красок с содержанием свинца, некоторых сортов древесины, минералов и металлов, может быть вредной для здоровья.

Прикосновение к пыли и попадание пыли в дыхательные пути может вызвать аллергические реакции и/или заболевания дыхательных путей оператора или находящегося вблизи персонала.

Определенные виды пыли, напр., дуба и бука, считаются канцерогенными, особенно совместно с присадками для обработки древесины (хромат, средство для защиты древесины). Материал с содержанием асбеста разрешается обрабатывать только специалистам.

– Хорошо проветривайте рабочее место.

– Рекомендуется пользоваться респираторной маской с фильтром класса P2.

Соблюдайте действующие в Вашей стране предписания для обрабатываемых материалов.

► Избегайте скопления пыли на рабочем месте. Пыль может легко воспламениться.

**Работа с инструментом**

**Включение электроинструмента**

**Установка аккумулятора**

Вставьте заряженный аккумулятор спереди в ножку электроинструмента, чтобы аккумулятор надежно зафиксировался.

**Включение/выключение**

Для включения электроинструмента передвиньте выключатель вперед.

Для фиксации выключателя передвиньте выключатель вперед и вниз так, чтобы он вошел в зацепление.

Для выключения электроинструмента опустите выключатель или, если он зафиксирован, нажмите коротко на выключатель назад и вниз, а затем отпустите его.

**Регулировка скорости**

Чтобы отрегулировать скорость, нажмите кнопку регулировки скорости. Каждый раз, когда вы нажимаете, вы можете изменить скорость на один уровень, и вы можете настроить три уровня в общей сложности.

► Перед началом работы проверьте шлифовальную оснастку. Шлифовальная оснастка должна быть правильно смонтирована и свободно

вращаться. Произведите пробное включение минимум на 1 минуту без нагрузки. Не используйте поврежденную, некруглую или вибрирующую шлифовальную оснастку. Поврежденная шлифовальная оснастка может разрушиться и стать причиной травм.

### Указания по применению

- ▶ Соблюдайте осторожность при шлифовании в несущих стенах.
- ▶ Закрепляйте заготовку, если ее собственный вес не обеспечивает надежное положение.
- ▶ Не нагружайте электроинструмент до его остановки.
- ▶ После сильной нагрузки дайте электроинструменту проработать еще несколько минут на холостом ходу, чтобы он мог остыть.
- ▶ Не используйте электроинструмент на абразивноотрезной станине.
- ▶ Не прикасайтесь к шлифовальным и отрезным кругам, пока они не остынут. Круги сильно нагреваются во время работы.

При электростатическом заряде электроинструмента встроенная электроника отключает электроинструмент. Еще раз нажмите на выключатель, чтобы снова включить электроинструмент.

### Обдирочное шлифование

- ▶ **Никогда не применяйте отрезные круги для обдирки!**

Под углом установки от 30° до 40° при обдирочном шлифовании достигаются наилучшие результаты работы. Водите электроинструментом, слегка нажимая на него, туда сюда. При таком подходе обрабатываемая заготовка не будет перегреваться, не изменит своего цвета и на ней не появятся дорожки.

### Веерный шлифовальный круг

Веерным шлифовальным кругом (принадлежность) можно также обрабатывать выпуклые поверхности и профили.

Веерные шлифовальные круги обладают значительно большим сроком службы, создают меньший уровень шума и меньшие температуры шлифования, чем обычные шлифовальные круги.

### Резка металла

- ▶ Для резки с помощью отрезных кругов всегда используйте защитный кожух.

При отрезании шлифовальным кругом работайте с умеренной, соответствующей

обрабатываемому материалу, подачей. Не оказывайте давление на отрезной круг, не перекашивайте и не качайте его.

Не затормаживайте отрезной круг на выбеге боковым давлением.

Всегда ведите электроинструмент против направления вращения. В противном случае существует опасность неконтролируемого вырывания инструмента из прорези.

При резке профилей или четырехгранных труб начинайте рез на наименьшем поперечном сечении.

### Резка камня

- ▶ Для резки камня необходимо обеспечить достаточное удаление пыли.

- ▶ Применяйте противопылевой респиратор.

- ▶ Данный электроинструмент разрешается использовать только для сухой резки/сухого шлифования.

Для резки камней лучше всего использовать алмазные отрезные диски.

При применении защитного кожуха для отрезания с направляющими салазками пылесос должен быть допущен для отсоса каменной пыли. P.I.T. предлагает подходящие пылесосы.

Включите электроинструмент и приставьте переднюю часть направляющих салазок к обрабатываемой заготовке. Ведите пневматический инструмент с равномерной, рас считанной на обрабатываемый материал подачей. При обработке особо твердых материалов, например, бетона с высоким содержанием гравия, греться и по алмазный отрезной круг может переламываться этой причине повредиться. Вращающийся с указывает на такую ситуацию.

В таком случае прервите процесс и дайте алмазному отрезному кругу остыть на холостом ходу при максимальной скорости в течение короткого времени.

Заметное снижение производительности работы и венец из искр по кругу свидетельствуют о затуплении алмазного отрезного круга. Алмазный отрезной круг можно заточить короткими резами в абразивном материале (напр., в силикатном кирпиче).

### Указания по статике

На пазы в капитальных стенах распространяется норма DIN 1053 часть 1 или действующие в соответствующей стране предписания. Эти предписания подлежат обязательному соблюдению. До начала работы проконсультируйтесь у ответственного

ного специалиста по статике, архитектора или прораба.

**Указания по оптимальному обращению с аккумулятором**

Защищайте аккумулятор от влаги и воды. Храните аккумулятор только в диапазоне температур от - 20 °С до 50 °С. Не оставляйте аккумулятор летом в автомобиле. Время от времени прочищайте вентиляционные прорези аккумулятора мягкой, сухой и чистой кисточкой.

Значительное сокращение продолжительности работы после заряда свидетельствует о старении аккумулятора и указывает на необходимость его замены.

Учитывайте указания по утилизации.

**Техобслуживание и очистка**

- ▶ До начала работ по техобслуживанию, смене инструмента и т. д., а также при транспортировке и хранении извлекайте аккумулятор из электроинструмента. При непреднамеренном включении возникает опасность травмирования.
- ▶ Для обеспечения качественной и безопасной работы содержите электроинструмент и вентиляционные прорези в чистоте.

**Утилизация**

Отслужившие свой срок электроинструменты, принадлежности и упаковку следует сдавать на экологически чистую переработку отходов.



Утилизируйте электроинструмент отдельно от бытового мусора!

**РАСШИФРОВКА ДАТЫ ИЗГОТОВЛЕНИЯ ИЗДЕЛИЯ**

№. 

1	7	0	7	3	0	0	3	9	5
---	---	---	---	---	---	---	---	---	---



Дата изготовления изделия зашифрована в серийном номере, напечатанном на корпусе инструмента. Первые 2 цифры обозначают год выпуска, следующие 2 цифры – месяц и следующие 2 цифры - день.

**УСЛОВИЯ ГАРАНТИЙНОГО ОБСЛУЖИВАНИЯ**

1. Настоящее гарантийное свидетельство является единственным документом, под-

тверждающим ваше право на бесплатное гарантийное обслуживание. Без предъявления данного свидетельства претензии не принимаются. В случае утери или порчи гарантийное свидетельство не восстанавливается.

2. Гарантийный срок на электроинструмент, а также зарядные устройства и аккумуляторные батареи серии OnePower составляет 12 месяцев со дня продажи, в течение гарантийного срока сервисная служба бесплатно устраняет производственные дефекты и производит замену деталей, вышедших из строя по вине изготовителя. На период гарантийного ремонта эквивалентный исправный инструмент не предоставляется. Заменяемые детали переходят в собственность служб сервиса.

Компания P.I.T. не несет ответственности за вред, который может быть причинен при работе с электроинструментом.

3. В гарантийный ремонт инструмент принимается в чистом виде, при обязательном наличии надлежащим образом оформленных документов: настоящего гарантийного свидетельства, гарантийного талона, с полностью заполненными полями, штампом торговой организации и подписью покупателя.

4. Гарантийный ремонт не производится в следующих случаях:

- при отсутствии гарантийного свидетельства и гарантийного талона или неправильном их оформлении;
- при совместном выходе из строя якоря и статора электродвигателя, при обугливание или оплавлении первичной обмотки трансформатора сварочного аппарата, зарядного или пуско-зарядного устройства, при оплавлении внутренних деталей, прожиге электронных плат;
- если гарантийное свидетельство или талон не принадлежат данному электроинструменту или не соответствует установленному поставщиком образцу;
- по истечении срока гарантии;
- при попытках самостоятельного вскрытия или ремонта электроинструмента вне гарантийной мастерской;
- внесения конструктивных изменений и смазки инструмента в гарантийный период, о чем свидетельствуют, например, заломы на шлицевых частях крепежа корпусных деталей.
- при использовании электроинструмента в производственных или иных целях, свя-



занных с получением прибыли, а также при возникновении неисправностей связанных с нестабильностью параметров электросети, превышающих нормы, установленные ГОСТ;

- при неправильной эксплуатации (использование электроинструмента не по назначению, установки на электроинструмент не предназначенных заводом-изготовителем насадок, дополнительных приспособлений и т.п.;

- при механических повреждениях корпуса, сетевого шнура и при повреждениях, вызванных воздействиями агрессивных средств и высоких и низких температур, попадании инородных предметов в вентиляционные решетки электроинструмента, а также при повреждениях, наступивших в результате неправильного хранения (коррозия металлических частей);

- при естественном износе деталей электроинструмента, в результате длительной эксплуатации (определяется по признакам полной или частичной выработки ресурса, сильного загрязнения, ржавчины снаружи и внутри электроинструмента, отработанной смазки в редукторе);

- использование инструмента не по назначению, указанному в инструкции по эксплуатации.

- при механических повреждениях инструмента;

- при возникновении повреждений в связи с несоблюдением предусмотренных инструкцией условий эксплуатации (см. главу «Указание по технике безопасности» в инструкции).

- повреждение изделия вследствие несоблюдения правил хранения и транспортировки.

Профилактическое обслуживание электроинструмента (чистка, промывка, смазка, замена пыльников, поршневых и уплотнительных колец) в гарантийный период является платной услугой.

Срок службы изделия установлен изготовителем и составляет 2 года со дня изготовления.

О возможных нарушениях, изложенных выше условий гарантийного обслуживания, владельцу сообщается после проведения диагностики в сервисном центре.

Владелец инструмента доверяет проведение диагностики в сервисном центре в свое отсутствие.

Запрещается эксплуатация электроинстру-

мента при проявлении признаков повышенного нагрева, искрения, а также шума в редукторной части. Для выяснения причин неисправности покупателю следует обратиться в гарантийную мастерскую.

Неисправности, вызванные несвоевременной заменой угольных щеток двигателя, устраняются за счет покупателя.

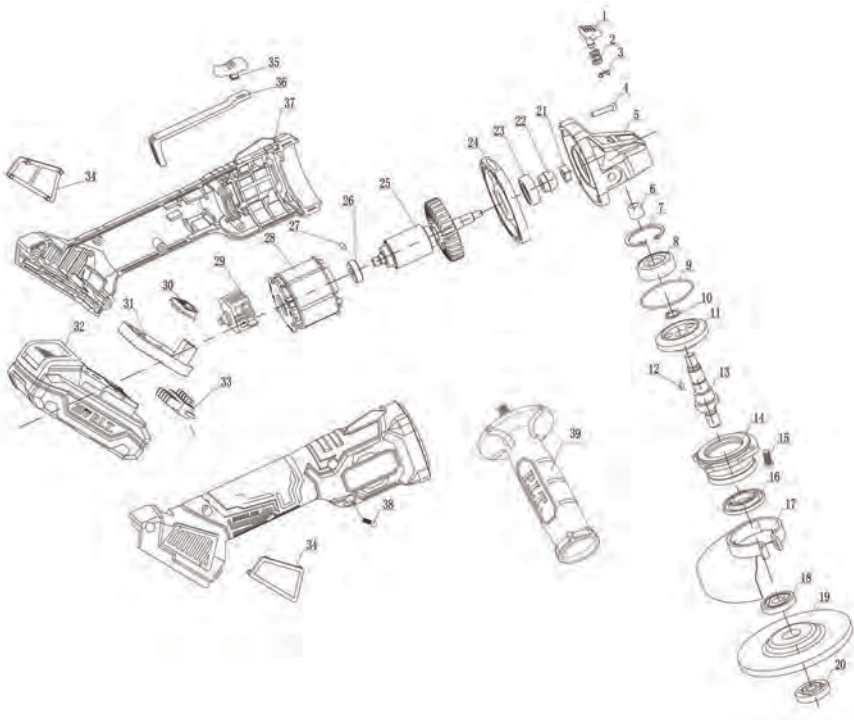
5.Гарантия не распространяется на:

- сменные принадлежности (аксессуары и оснастка), например: аккумуляторы, диски, ножи, сверла, буры, патроны, цепи, звездочки, цанговые зажимы, шины, элементы натяжения и крепления, головки триммеров, подошвы шлифовальных и ленточных машин, фильтры, головки шестигранные и т.п.

- быстроизнашивающиеся детали, например: угольные щетки, приводные ремни, сальники, защитные кожухи, направляющие ролики, направляющие, резиновые уплотнения, подшипники, зубчатые ремни и колеса, стволы, ленты тормоза, храповики и тросы стартеров, поршневые кольца и т.п.

Замена их в течение гарантийного срока является платной услугой.

-шнуры питания, в случае повреждения изоляции, шнуры питания подлежат обязательной замене без согласия владельца (услуга платная), в т.ч. корпуса инструмента.





**P.I.T. WARRANTY CERTIFICATE**

Product Name \_\_\_\_\_

Product Number Battery Serial Number Charger Serial Number 

Sale Date \_\_\_\_\_

Trade Organization Name \_\_\_\_\_

Place of seal

Dear customer!

Thank you for purchasing the P.I.T tool, and we hope that you will be satisfied with your choice. In the process of manufacturing the P.I.T tools pass multilevel quality control, if nevertheless your product will need maintenance, please contact the authorized P.I.T service centers.

Attention!

When buying, ask a seller to check the completeness and operability of the tool, to fill out the Warranty Certificate, the Warranty Card (the boxes shall be filled out by a seller) and to affix the seal of the trade organization in the Guarantee Certificate and the Warranty Card.

Warranty

By this Warranty Certificate, P.I.T. company guarantees the absence of defects of the production nature.

In the event any of the above defects are detected during the warranty period, the specialized P.I.T. service centers shall repair the product and replace the defective spare parts free of charge.

The warranty period for P.I.T. electric machines is 12 months from the date of sale.

"The warranty maintenance terms acknowledged and accepted. The operability and completeness of the product are checked in my presence. No claims on quality and appearance."

Buyer's Signature \_\_\_\_\_ Surname (legibly) \_\_\_\_\_

Phone \_\_\_\_\_

**ГАРАНТИЙНОЕ СВИДЕТЕЛЬСТВО НА ИНСТРУМЕНТ P.I.T.**

Наименование изделия \_\_\_\_\_

Серийный номер изделия Серийный номер аккумулятора Charger Serial Number 

Дата продажи « \_\_\_\_\_ » \_\_\_\_\_

Наименование торговой организации \_\_\_\_\_

М.П.

**Уважаемый покупатель!**

Благодарим Вас за покупку инструмента P.I.T. и надеемся, что Вы останетесь довольны своим выбором.

При необходимости обслуживания Вашего изделия обращайтесь в авторизованные сервисные центры P.I.T. Все сервисные центры представлены на сайте [www.pittools.ru](http://www.pittools.ru)

**Внимание!**

При покупке требуйте у продавца проверки работоспособности инструмента и его комплектности, а также заполнения гарантийного свидетельства, гарантийного талона (графы «Заполняются продавцом») и простановки печати торговой организации в гарантийном свидетельстве и гарантийных талонах.

**Гарантия**

На основании данного гарантийного свидетельства компания P.I.T. гарантирует отсутствие дефектов производственного характера.

Если в течение гарантийного срока в Вашем изделии обнаружатся указанные дефекты, то специализированные сервисные центры P.I.T. бесплатно отремонтируют изделие и заменят дефектные запасные части.

Гарантийный срок на электроинструменты P.I.T. составляет 12 месяцев со дня продажи.

«С условиями гарантийного обслуживания ознакомлен(а). Работоспособность и комплектность изделия проверены в моем присутствии. Претензий к качеству и внешнему виду не имею».

Подпись покупателя \_\_\_\_\_ Фамилия (разборчиво) \_\_\_\_\_

Телефон \_\_\_\_\_

# P.I.T. WARRANTY CARD

Name _____ Product Serial Number _____ Battery Serial Number _____ Charger Serial Number _____ Sale Date _____ 20__ Date of Receipt from Repair _____ 20__	<b>P.I.T.</b>	<b>№ 1</b>
	Name _____ Product Serial Number _____ Battery Serial Number _____ Charger Serial Number _____ Sale Date _____ 20__	
	Place of Seal	
	(Filled out by a Seller) WARRANTY REPAIR CARD	
	Date of Acceptance for Repair _____ 20__ Application for Repair _____ Customer _____ Phone (Address) _____ Cause of Application _____ Date of Receipt from Repair _____ 20__	
	The Tool is checked in my presence _____ (The Order shall be performed in a Service Center) (Signature)	

Name _____ Product Serial Number _____ Battery Serial Number _____ Charger Serial Number _____ Sale Date _____ 20__ Date of Receipt from Repair _____ 20__	<b>P.I.T.</b>	<b>№ 2</b>
	Name _____ Product Serial Number _____ Battery Serial Number _____ Charger Serial Number _____ Sale Date _____ 20__	
	Place of Seal	
	(Filled out by a Seller) WARRANTY REPAIR CARD	
	Date of Acceptance for Repair _____ 20__ Application for Repair _____ Customer _____ Phone (Address) _____ Cause of Application _____ Date of Receipt from Repair _____ 20__	
	The Tool is checked in my presence _____ (The Order shall be performed in a Service Center) (Signature)	

Name _____ Product Serial Number _____ Battery Serial Number _____ Charger Serial Number _____ Sale Date _____ 20__ Date of Receipt from Repair _____ 20__	<b>P.I.T.</b>	<b>№ 3</b>
	Name _____ Product Serial Number _____ Battery Serial Number _____ Charger Serial Number _____ Sale Date _____ 20__	
	Place of Seal	
	(Filled out by a Seller) WARRANTY REPAIR CARD	
	Date of Acceptance for Repair _____ 20__ Application for Repair _____ Customer _____ Phone (Address) _____ Cause of Application _____ Date of Receipt from Repair _____ 20__	
	The Tool is checked in my presence _____ (The Order shall be performed in a Service Center) (Signature)	





**Поставщик / производитель:** Xinjiang Longbo Industrial Co., Ltd./Синзянь Лонгбо Индастриал Ко., Лтд.

**Адрес производства:** Rm. 602, 6th Floor, No. 531, Weixing Road, Economic And Technological Development Zone, Urumqi, Xinjiang, China / Оф.602, 6 этаж, №531, Вейшинг Рoad, Экономик Энд Технолджикал Девелопмент Зон, Урумчи, Синзянь, Китай

**Импортер/ организация, уполномоченная принимать претензии:** ООО «Турбо-Тулс»

**Юридический адрес:** 614058, Пермский край, г. Пермь, ул. Фоминская, 36  
info@pittools.ru

**Сделано в КНР / Made in China**



[www.pit-tools.com](http://www.pit-tools.com)