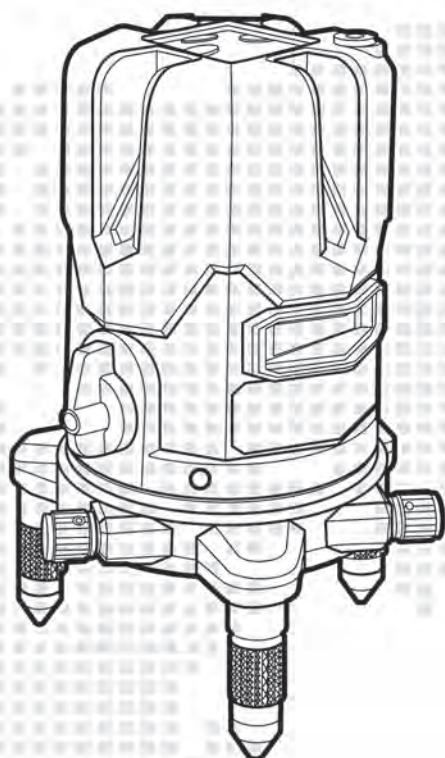


CROWN
TOOLS FOR A BETTER LIFE

- CT44022
- CT44023
- CT44024



- en** Original instructions
- es** Manual original
- ru** Оригинальное руководство по эксплуатации
- ua** Оригінальна інструкція з експлуатації
- kz** Пайдалану нұсқаулығының түпнұсқасы
- ar** دليل المستخدم الأصلي
- fa** دفترچه راهنمای اصلی

Content / Contenido / Содержание / Зміст / Мазмұны / المحتويات / محتوا

English

Explanatory drawings	pages 3 - 9
General safety rules, instructions manual	pages 10 - 14

Español

Dibujos explicativos	páginas 3 - 9
Recomendaciones generales de seguridad, manual de instrucciones	páginas 15 - 20

Русский

Пояснительные рисунки	страницы 3 - 9
Общие указания по ТБ, инструкция по эксплуатации	страницы 21 - 26

Українська

Пояснювальні малюнки	сторінки 3 - 9
Загальні вказівки по ТБ, інструкція з експлуатації	сторінки 27 - 32

Қазақ тілі

Түсіндіргіш әлеміштер	беттер 3 - 9
Жалпы қауіпсіздік жөніндегі ұсыныстар, пайдалану нұсқаулығы	беттер 33 - 38

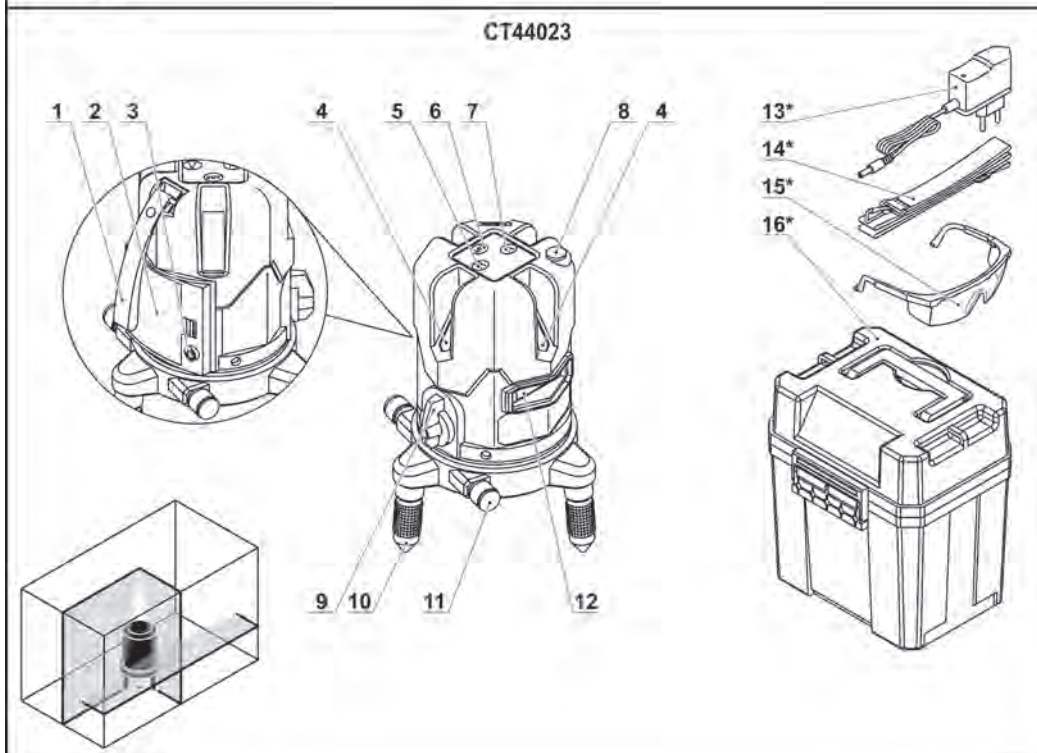
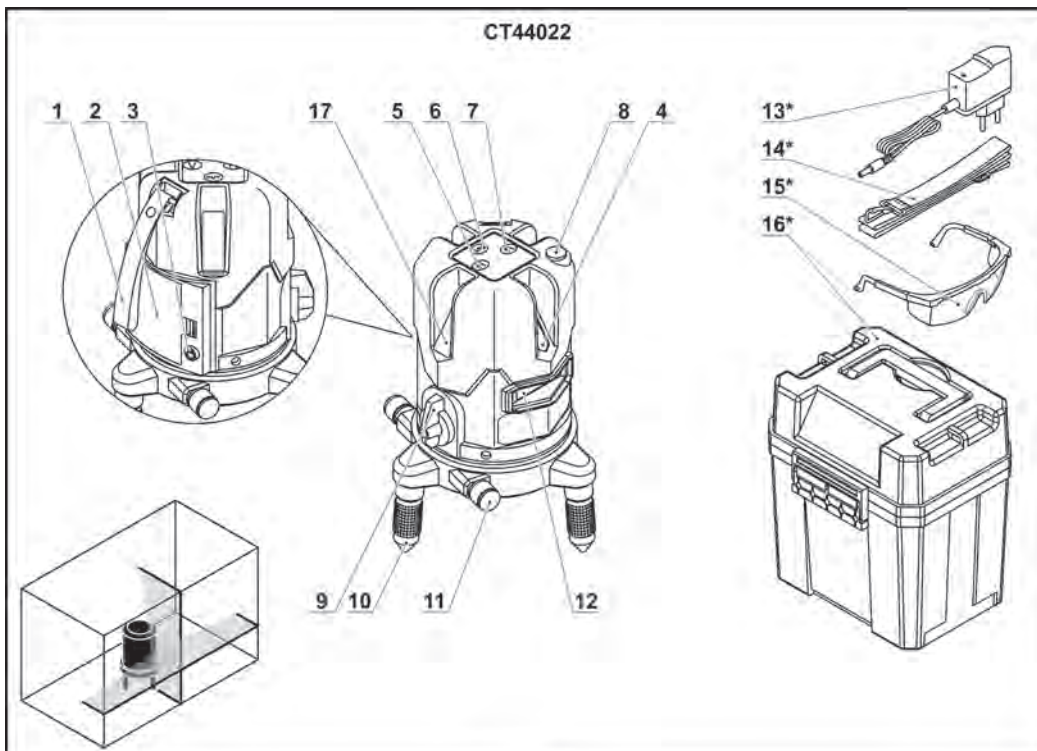
العربية

رسوم توضيحية	الصفحات 3 - 9
قواعد السلامة العامة، دليل التعليمات	الصفحات 39 - 43

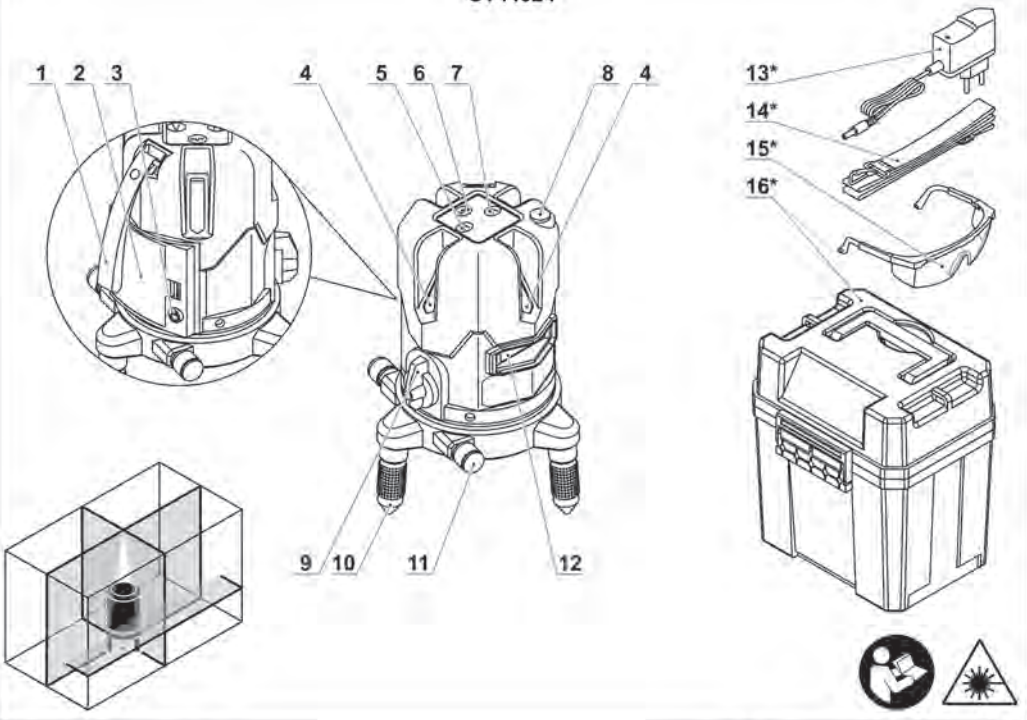
فارسی

اشکال توضیحی	صفحه های 3 - 9
قوانین ایمنی کلی، دفترچه دستورالعمل ها	صفحه های 44 - 48

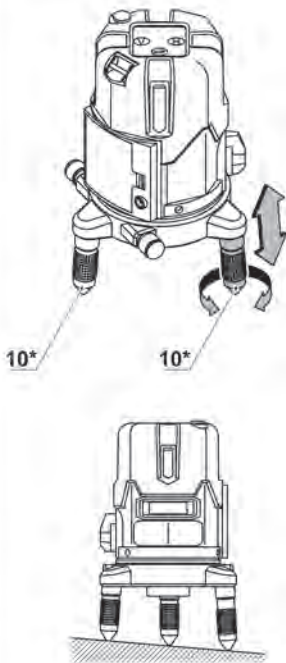




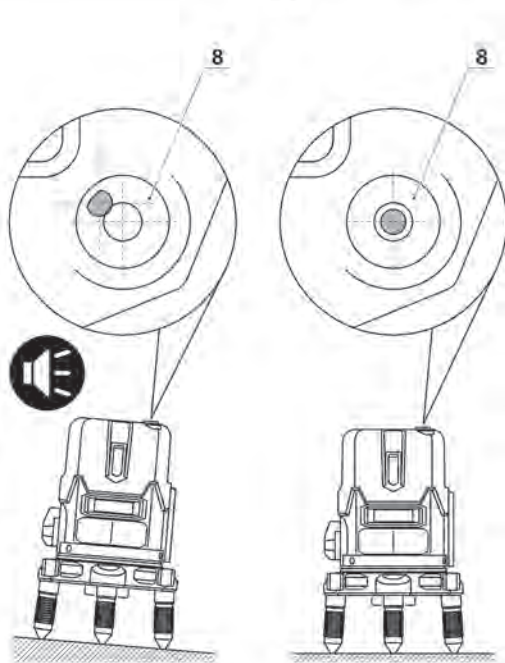
CT44024

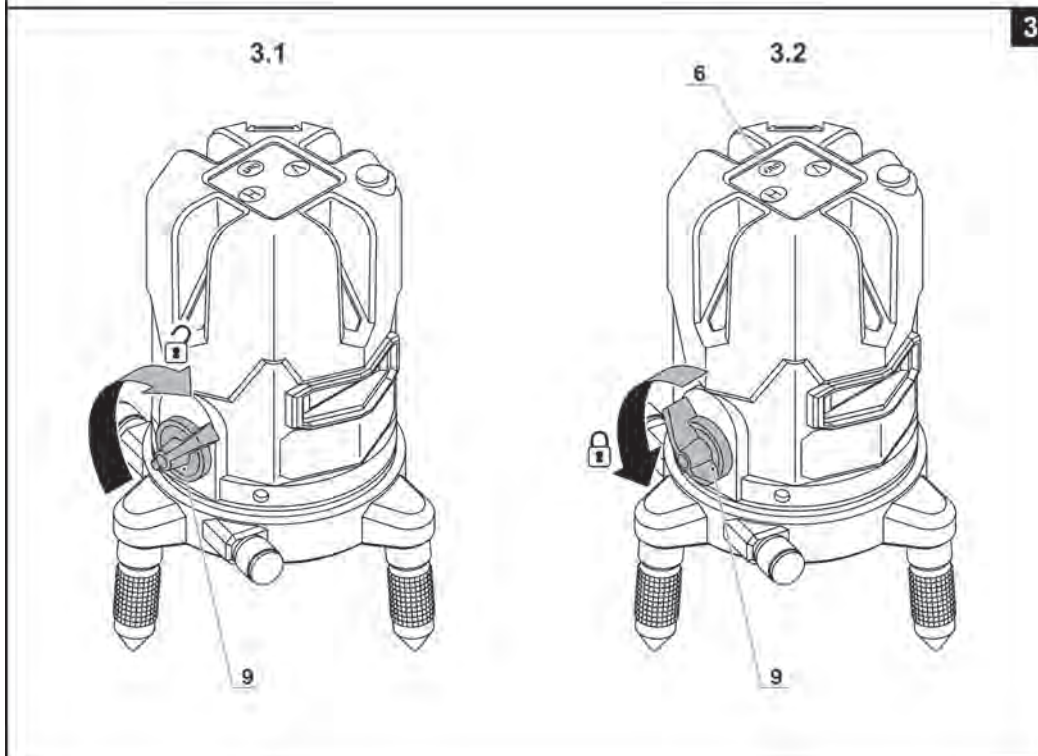
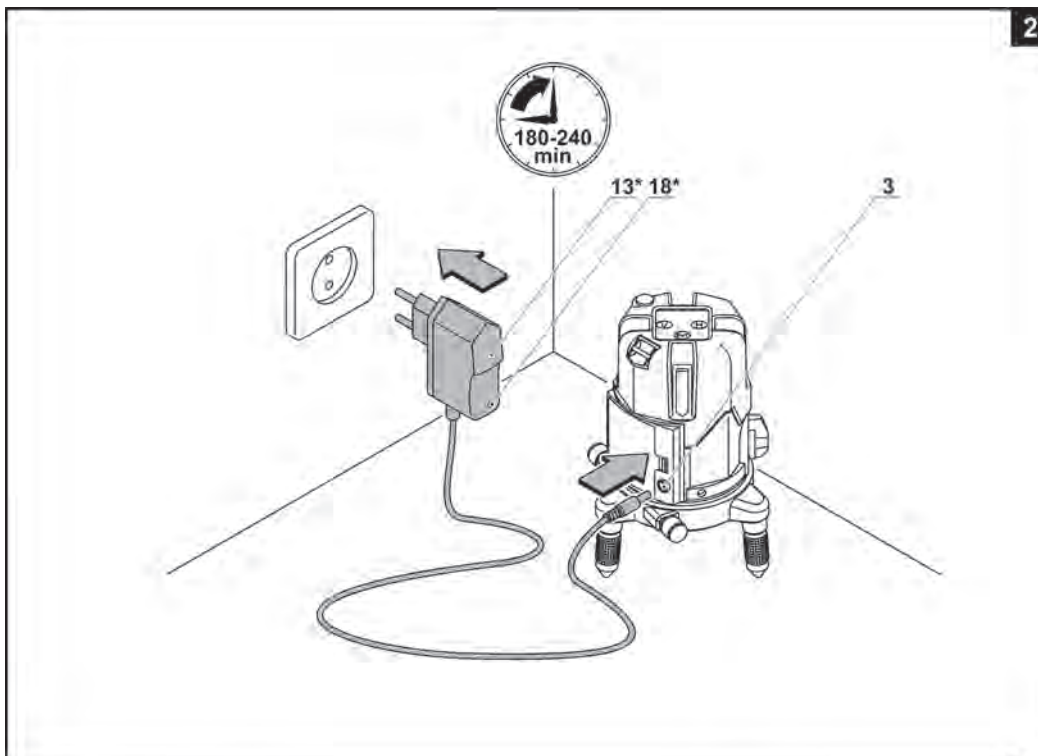


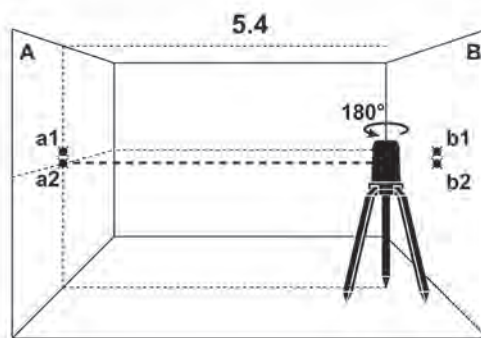
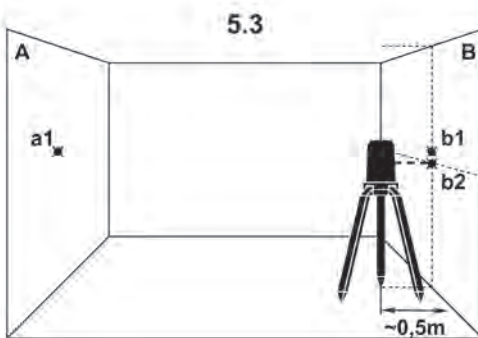
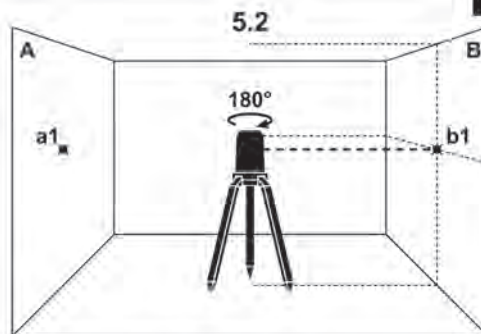
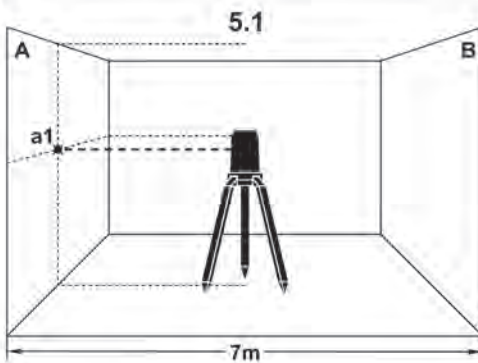
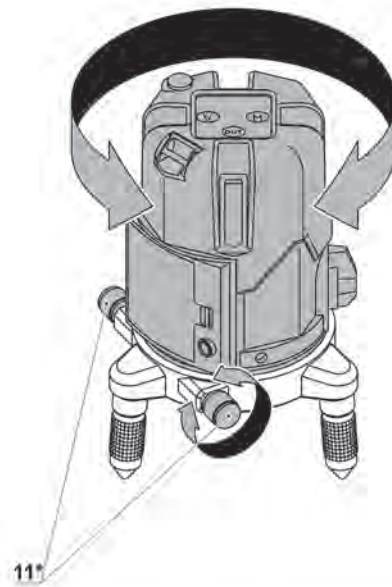
1.1

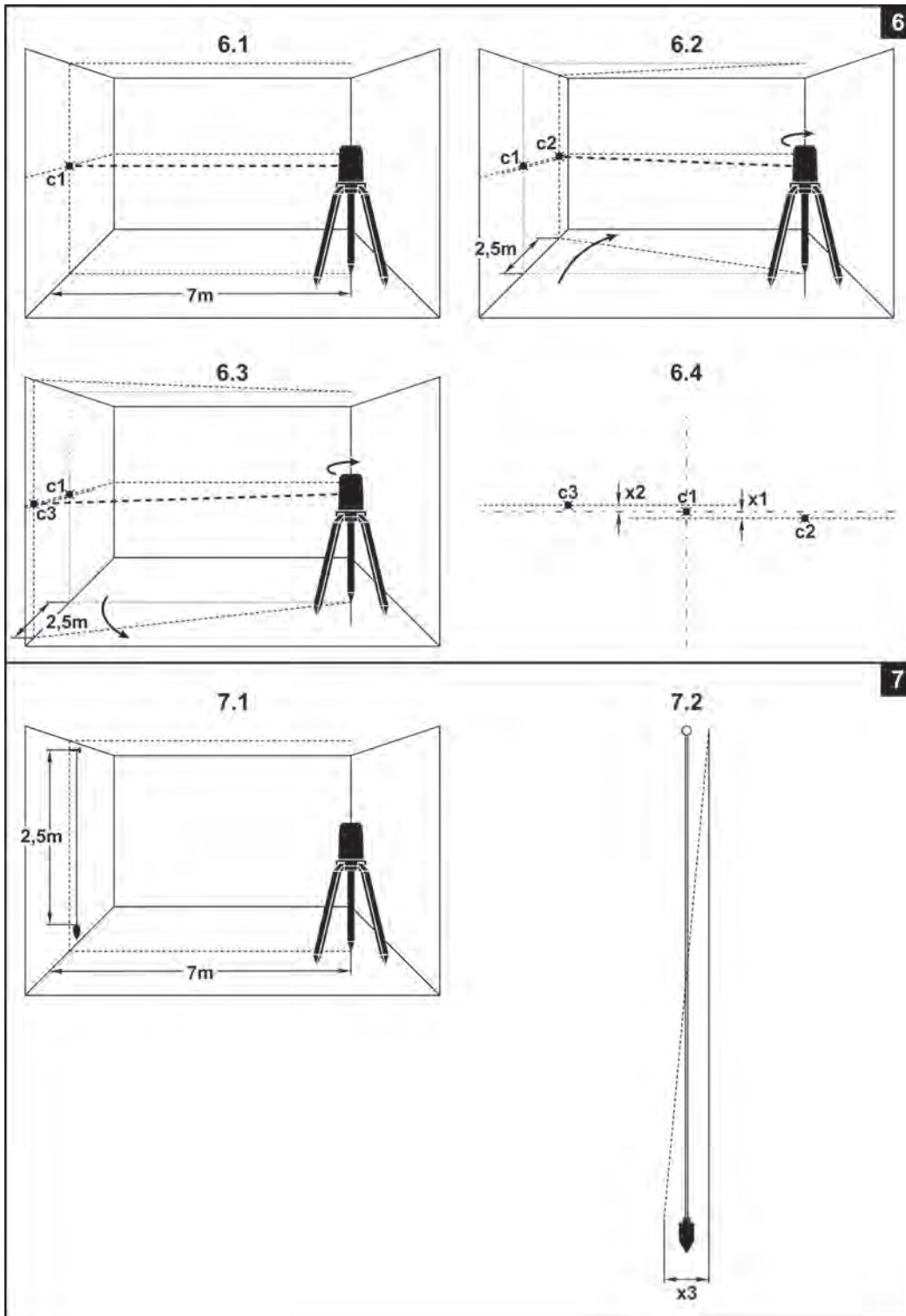


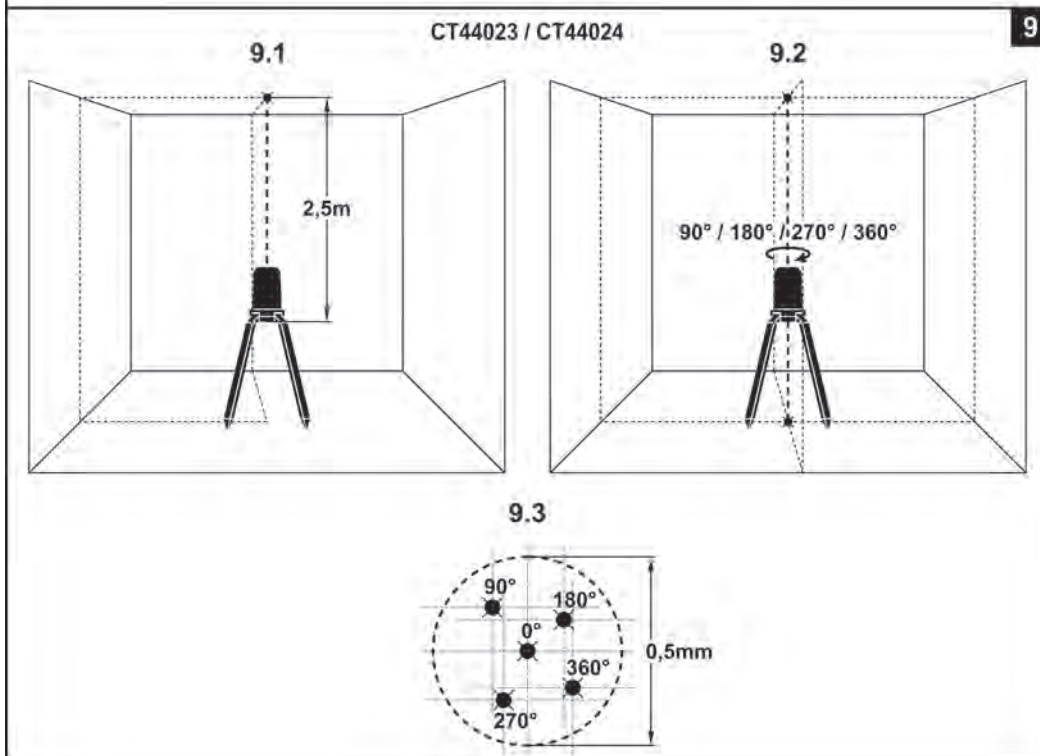
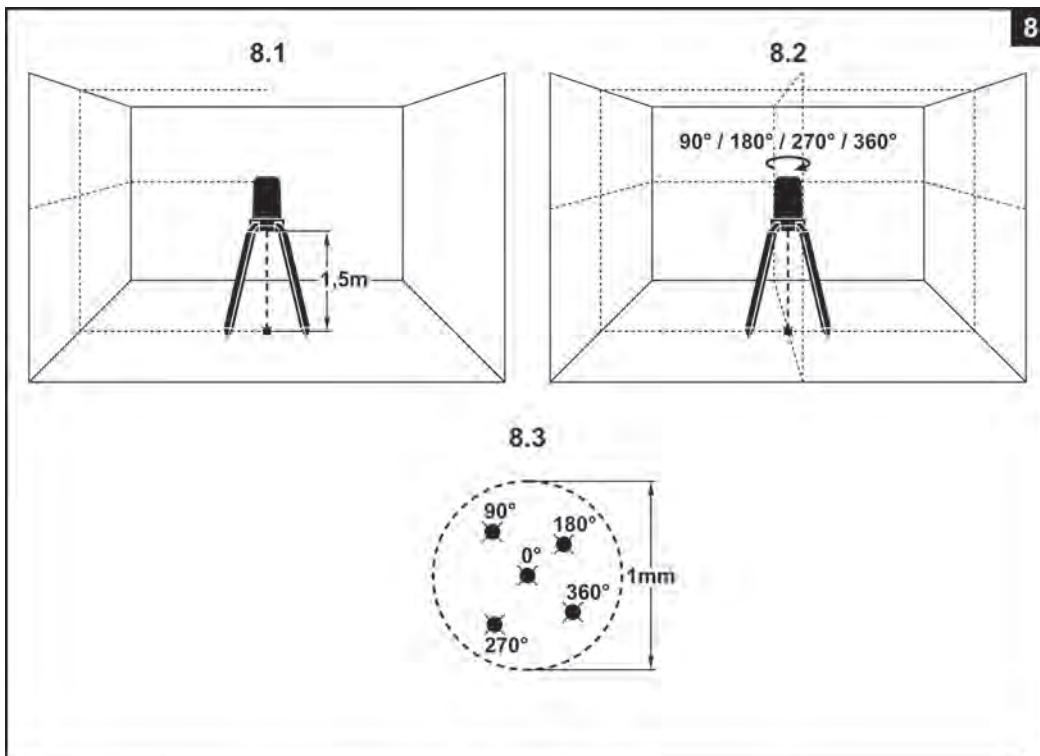
1.2

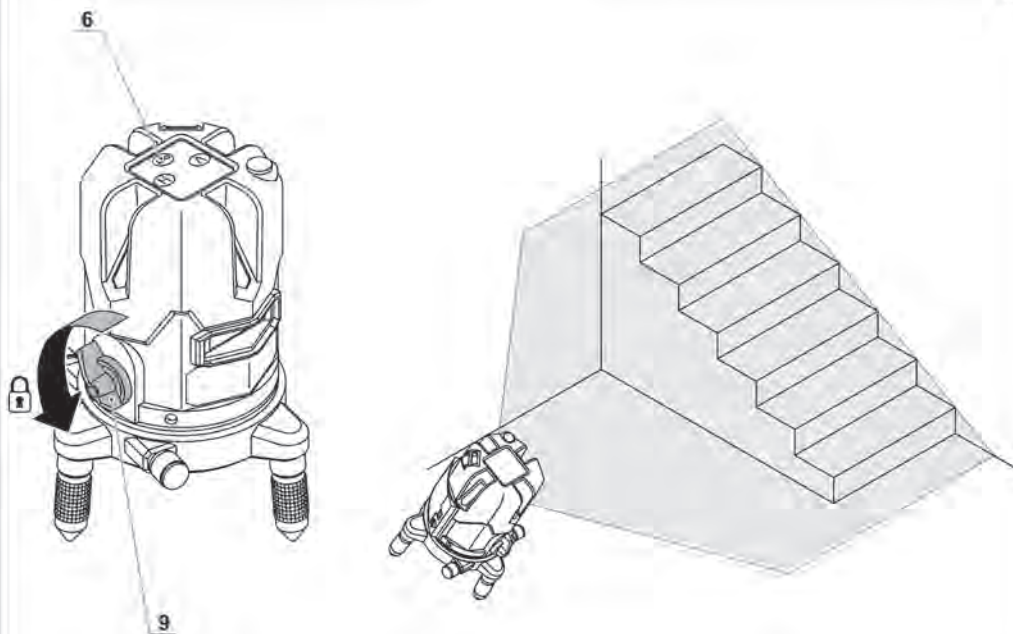
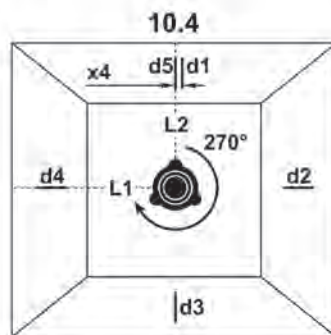
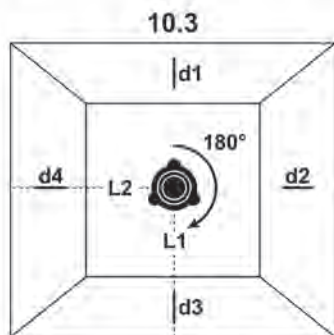
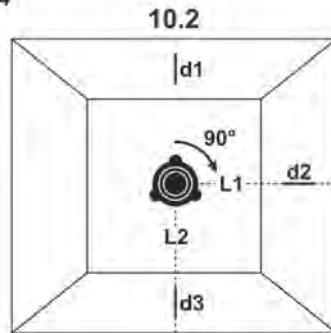
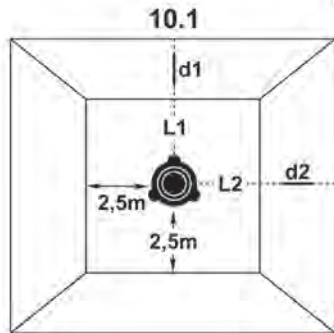












Technical data

Line laser		CT44022	CT44023	CT44024
Appliance code		421555	421552	421579
Projected beams		1V 1H 1D	2V 1H 1D	4V 1H 1D
Working range	[m]	30	30	30
Levelling accuracy:				
- horizontal beam		±1 mm at 7 m	±1 mm at 7 m	±1 mm at 7 m
- vertical beam		±1 mm at 7 m	±1 mm at 7 m	±1 mm at 7 m
- plumbing point		±1 mm at 1,5 m	±1 mm at 1,5 m	±1 mm at 1,5 m
- upper lines		±1 mm at 5 m	±1 mm at 5 m	±1 mm at 5 m
- beam perpendicularity		±2 mm at 5 m	±2 mm at 5 m	±2 mm at 5 m
Self-leveling time	[s]	≤5	≤5	≤5
Self-leveling range		±3°	±3°	±3°
Laser class		II	II	II
Laser type	[nm]	525	525	525
Battery type		3,7V; Li-Ion	3,7V; Li-Ion	3,7V; Li-Ion
Battery charging time	[min]	180-240	180-240	180-240
Thread for tripod		5/8"	5/8"	5/8"
Operating temperature range	[°C]	-10 ... +40	-10 ... +40	-10 ... +40
Storage temperature range	[°C]	-20 ... +55	-20 ... +55	-20 ... +55
Weight	[kg] [lb]	1,03 2.27	1,04 2.29	1,04 2.29
* V - vertical plane, H - horizontal plane, D - plumbing point				

CE Declaration of conformity

We declare under our sole responsibility that the product described under "Technical data" is in conformity with all relevant provisions of the directives 2006/42/EC including their amendments and complies with the following standards: IEC 60825-1:2014.

Certification manager

Wu Cunzhen

Wu Cunzhen

English
10

Merit Link International AG
Stabio, Switzerland, 08.02.2019

General safety rules



WARNING - To reduce the risk of injury, user must read instruction manual!



ATTENTION! Before using the appliance for the first time, read this manual carefully and follow all its recommendations and rules.

Keep the manual for future reference or for the next owner.

- Before using, check the appliance housing integrity; in case of any damages the appliance must not be used.



Do not direct a laser beam at people or animals, and do not look at a straight or reflected laser beam. A laser beam can blind people, cause an accident or damage eyes. It is strictly forbidden to look at the laser beam through optical appliances (binoculars, telescopes, etc.), this can cause damage to the retina. **Attention: glasses which are included in the scope of delivery of the appliance are not protective glasses and are intended to improve visibility of the laser beam. Do not look at the laser beam through these glasses - it may cause injuries.**

- Do not operate the appliance in atmospheres containing explosive gases, dust or vapours.
- When working be aware of the factors which may cause wrong measurement results:
 - contamination of laser emitter window;
 - measurement through transparent objects (windows, aquariums, etc.);
 - measurement on reflective surfaces (mirrors, polished metal surfaces, etc.);
 - presence of steam, dust, smoke, etc. in the air.
- Do not expose the appliance to moisture, and do not allow moisture enter the appliance. Do not immerse the appliance into liquid.
- Do not drop or knock the appliance.
- Protect the appliance against electromagnetic fields (for example, fields from electric arc welding or induction heaters).
- In case of sudden changes in ambient temperature, do not use the appliance for at least 30 minutes.
- Do not leave the appliance near objects with high temperature.

Battery tool use and care

- **Recharge only with the charger specified by the manufacturer.** A charger that is suitable for one type of battery pack may create a risk of fire when used with another battery pack.
- **Use the appliance only with a suitable battery pack.** Use of other battery types may cause injuries and fire.
- **Under abusive conditions, liquid may be ejected from the battery; avoid contact. If contact accidentally occurs, flush with water. If liquid contacts eyes, additionally seek medical help.** Liquid ejected from the battery may cause irritation or burns.
- **Do not open the battery.** Danger of circuit.
- **In case of damage and improper use of the battery, vapors may be emitted. Provide for fresh air and seek medical help in case of complaints.** The vapors can irritate the respiratory system.
- **When the battery is defective, liquid can escape and come into contact with adjacent components.** Check any parts concerned. Clean such parts or replace them, if required.
- **Protect the battery against heat, e.g., also against continuous sun irradiation and fire.** There is danger of explosion.
- **Protect the battery charger from rain and moisture.** The penetration of water in a battery charger increases the risk of electric shock.
- **Do not charge other batteries.** The battery charger is suitable only for charging lithium ion batteries within

the listed voltage range. Otherwise there is danger of fire and explosion.

- **Keep the battery charger clean.** Contamination may cause the danger of electric shock.
- **Check the battery charger, cable and plug each time before using. Do not use the battery charger when defects are detected. Do not open the battery charger yourself and have it repaired only by qualified personnel using original spare parts.** Damaged battery chargers, cables and plugs increase the risk of electric shock.
- **Do not operate the battery charger on easily inflammable surfaces (e.g. , paper , textiles , etc.) or in combustible environments.** There is danger of fire due to the heating of the battery charger during charging.

Appliance maintenance







Maintenance of your appliance must be performed by qualified personnel using the recommended spare parts. This ensures that the safety of your appliance will be preserved.

Symbols used in the manual

Following symbols are used in the operation manual, please remember their meanings. Correct interpretation of the symbols will allow correct and safe use of the appliance.

Symbol	Meaning
	Serial number sticker: CT ... - model; XX - date of manufacture; XXXXXXX - serial number.
	Read all safety regulations and instructions.
	Caution! Laser radiation.
	Movement direction.
	Rotation direction.
	Acoustic signal.
	Battery charging time.

English

Symbol	Meaning
	Locked.
	Unlocked.
	A sign certifying that the product complies with essential requirements of the EU directives and harmonized EU standards.
	Attention. Important.
	Useful information.
	Do not dispose of the appliance in a domestic waste container.

Intended use

Line laser is intended to draw and / or control horizontal, vertical and inclined lines.

Components

- 1 Strap
- 2 Battery case cover
- 3 Socket for power unit connector
- 4 Vertical emitter window
- 5 Horizontal laser beam on / off switch
- 6 Laser beam on / off switch with a locked laser head
- 7 Vertical laser beam on / off switch
- 8 Bubble level
- 9 Laser head position lock
- 10 Adjustable leg
- 11 Swivel bolt
- 12 Horizontal emitter window
- 13 Power unit *
- 14 Carrying belt *
- 15 Laser viewing glasses *
- 16 Case *
- 17 Blind plug
- 18 Indicator

* Optional extra

Not all of the accessories illustrated or described are included as standard delivery.

Installation / regulation



Do not draw up the fastening elements too tight to avoid damaging the thread.



Mounting / dismantling / adjustment of some elements is similar for all appliance models. In this case no particular appliance model is indicated in the explanatory drawing.

Adjustable legs (see fig. 1)

In case of an acoustic signal and blinking laser beams when the appliance is turned on, horizontal misalignment of the appliance is more than $\pm 3^\circ$. Adjust the position of the appliance with legs **10** with reference to bubble level **8** indication as shown in figure 1.

Battery charging

Initial operating

The appliance is delivered with partial battery charge. Fully charge the battery before the first use of the appliance.

Charging (see fig. 2)

- Connect power unit **13** to the mains (indicator **18** lights green, ready to charge).
- Connect the plug of power unit **13** to socket **3** (see fig. 2). During charging indicator **18** lights red. When charging is complete, indicator **18** lights green.
- When charging is complete, disconnect plug of power unit **13** from socket **3** and unplug power unit **13** from the mains.



During charging the battery and power unit 13 of the appliance may become hot - it is no problem.



You can use the appliance during charging. It will cause no harm to the battery.

Switching on / off

When self-levelling is on

Switching on:

Set lock **9** to position as shown in fig. 3.1. This will unlock the suspension gear of the laser head, turn laser power and bubble level lighting **8** on. If the appliance is positioned on the inclined surface with an angle of more than $\pm 3^\circ$, you will hear an acoustic signal. You can switch on and off the laser beams pressing on / off switches **5** and **7**.

Switching off:

Set lock **9** to position as shown in fig. 3.2. This will lock the suspension gear of the laser head, turn laser power and bubble level lighting **8** off.

When self-levelling is off

Switching on:

Set lock **9** to position as shown in fig. 3.2, then press and release on / off switches **6**. Laser power is now on,

English

but the suspension gear of the laser head is locked. No acoustic signals are given when the appliance is inclined. You can switch on and off the laser beams pressing on / off switches 5 and 7.

Switching off:

Press and release on / off switches 6.

Design features

Laser head self-levelling system

Laser head self-levelling system makes laser measurement possible, if the appliance is put on an inclined or uneven surface (inclination angle not exceeding $\pm 3^\circ$).

If maximum possible inclination angle is exceeded, laser beams start blinking; the appliance gives an acoustic signal. In this case put the appliance onto an even surface or adjust the position with adjustable legs 10. Use bubble level 8 to facilitate the appliance positioning.



Attention: if the appliance is moved during use, lock the laser head during storage and transportation (set lock 9 to the position shown in fig. 3.2).

Adjustable legs (see fig. 1.1)

Adjustable legs 10 allow for appliance position alignment if put on an inclined or uneven surface (see fig. 1.1).

Bubble level

Bubble level 8 shows appliance position in a horizontal plane. If the air bubble is in the middle of bubble level 8, the appliance is positioned correctly (see fig. 1.2).

Swivel bolt (see fig. 4)

Swivel bolts 11 make it possible to turn the appliance with a small angle with high precision (see fig. 4).

Working advice

Precision test



If measurement error exceeds maximum allowable variance during the precision test, please contact CROWN service centre.

Factors, influencing appliance precision:

- Ambient temperature, e.g., temperature difference which may take place with distance from the ground. Temperature difference is most considerable near ground surface, therefore it is recommended to use the tripod for measurements in areas with length exceeding 20 m.
- Contamination of the laser emitter window. Always check protective windows for contaminations before use and clean them if necessary.
- Measurement through transparent surfaces (windows, aquariums, etc.). It is not recommended to carry out such measurement.

- Measurements on reflective surfaces (mirrors, polished metal surfaces, etc.). It is not recommended to carry out such measurement.
- Presence of steam, dust, smoke, etc. in the air. It is not recommended to carry out such measurement.
- Fall of the appliance or a heavy shock. In this case it is recommended to perform a precision test. If maximum allowable variance is exceeded, please contact **CROWN** service centre.

Horizontal beam precision test (surface slope) (see fig. 3, 5)

- Put the appliance onto an even horizontal surface between two walls ("A" and "B" in the figure) 7 m apart from each other.
- Turn on the appliance as described above (laser head self-levelling on, see fig. 3.1). Turn on horizontal and vertical laser beams.
- Mark the point of intersection of two laser beams on wall "A" (point "a1" in fig. 5.1).
- Turn the appliance body and mark the point of intersection of two laser beams on wall "B" (point "b1" in fig. 5.2).
- Position the appliance in the distance of 0,5-0,7 m from the wall and mark the same points (point "a2" and "b2" in fig. 5.3 and 5.4).
- If differences [a1-a2] and [b1-b2] do not differ from each other in value exceeding the allowable variance, specified in the technical data sheet (1 mm), the appliance precision is within allowable limits.

Example: the difference [a1-a2]=6 mm and [b1-b2]=5 mm. Thus, the variance value of the appliance is [a1-a2]-[b1-b2] = 6-5 = 1 mm.

Horizontal beam precision test (surface bending) (see fig. 3, 6)

- Put the appliance onto an even horizontal surface approximately 7 m apart from the wall.
- Turn on the appliance as described above (laser head self-levelling on, see fig. 3.1). Turn on horizontal and vertical laser beams.
- Mark the point of intersection of two laser beams on wall "A" (point "c1" in fig. 6.1).
- Turn the appliance body to the right (point "c2") approximately 2,5 m and ensure that the horizontal line matches point "c1" or the distance from this point ("x1") does not exceed half of the allowable variance value (0,5 mm), specified in the technical data sheet (see fig. 6.2).
- Perform the same actions turning the appliance body to the left (point "c3" and distance "x2") (see fig. 6.3).

Vertical beam precision test (see fig. 3, 7)

- Put the appliance onto an even horizontal surface approximately 7 m apart from the wall.
- Fix an approx. 2,5 m long plumb line to the wall.
- Turn on the appliance as described above (laser head self-levelling on, see fig. 3.1). Turn on the vertical laser beam and focus it toward the plumb line (see fig. 7).
- The laser beam shall evenly illuminate the plumb line in its whole length. If not the case, the offset ("x3") shall not exceed the variance value (1 mm), specified in the technical data sheet.

English

Plumbing point precision test (see fig. 3, 8)

- Position the appliance at height of 1,5 m from the floor.
- Turn on the appliance as described above (laser head self-levelling on, see fig. 3.1). Turn on horizontal and vertical laser beams, mark the position of the plumbing point (see fig. 8.1).
- Turn the appliance body to 90°, 180°, 270°, 360°, and mark the position of the plumbing point in each of the listed positions (see fig. 8.2). These marks shall match or lie within a circle with a diameter not exceeding 1 mm (see fig. 8.3).

Upper lines intersection precision test (see fig. 3, 9)

[CT44023, CT44024]

- Position the appliance onto an even surface 2,5 m apart from the ceiling.
- Turn on the appliance as described above (laser head self-levelling on, see fig. 3.1). Turn on all vertical laser beams and mark the intersection point on the ceiling (see fig. 9.1).
- Turn the appliance body to 90°, 180°, 270°, 360°, and mark the intersection point in each of the listed positions (see fig. 9.2). These marks shall match or lie within a circle with a diameter not exceeding 0,5 mm (see fig. 9.3).

Vertical laser beams perpendicularity test (see fig. 10)

[CT44023, CT44024]

- Position the appliance onto an even horizontal surface approximately 2,5 m apart from the walls (see fig. 10, showing the schematic top view).
- Turn on the appliance as described above (laser head self-levelling on, see fig. 3.1). Turn on two perpendicular vertical laser beams ("L1" and "L2") and mark their position on the walls (lines "d1" and "d2") (see fig. 10.1).
- Turn the appliance body to 90° from the original position, align laser beam "L1" with line "d2" and mark the position of the beam "L2" with line "d3" (see fig. 10.2).
- Turn the appliance body to 180° from the original position, align laser beam "L1" with line "d3" and mark the position of the beam "L2" with line "d4" (see fig. 10.3).
- Turn the appliance body to 270° from the original position, align laser beam "L1" with line "d3" and mark the position of the beam "L2" with line "d5" (see fig. 10.4).
- Measure the distance ("x4") between the lines "d1" and "d5" - it shall not exceed half of the variance value (1 mm), specified in the technical data sheet.

General recommendation (see fig. 11)

- Before starting work ensure that all measurements will be carried out under suitable conditions (see section "Factors, influencing appliance precision").
- Place the appliance correctly with reference to bubble level **8** indications. If necessary, adjust the appliance position with adjustable legs **10**. Negligible horizontal misalignment can be compensated with the laser head self-levelling system (not exceeding $\pm 3^\circ$).
- Put on the glasses **15** to improve laser beam visibility. **Attention! glasses 15 are not protective glasses. It is strictly prohibited to look at the laser beam**

through these glasses - it may cause eye retina damage.

- Turn on the appliance as described above. If you turn on the appliance with a laser head self-levelling on and hear an acoustic signal, and the laser beams blink, you have to re-position the appliance, otherwise the measurement results will be incorrect.
- You can mark inclined lines when the laser head self-levelling is off (see fig. 11). **Attention! Do not mark horizontal and vertical beams in this mode - their position is incorrect.**
- You can turn the appliance body manually (quickly) of using swivel bolts **11** (slowly, but precisely).
- After finishing work turn off the appliance as described above (lock **9** shall be in the position as shown in fig. 3.2 and laser beams must be off).
- It is recommended to put the appliance for long-term storage and transportation into case **16**. Ensure that there are no moisture drops on the appliance elements (if necessary, wipe with a soft cloth), after that put the appliance into case **16**.

Maintenance / preventive measures

Cleaning the appliance

- Keep the appliance clean. Do not use caustic substances or solvents.
- Emitter windows shall be cleaned with a soft cloth. Do not use sharp objects or corrosive agents for this purpose.

After-sales service and application service

Our after-sales service responds to your questions concerning maintenance and repair of your product as well as spare parts. Information about service centers, parts diagrams and information about spare parts can also be found under: www.crown-tools.com.

Transportation

- Categorically not to drop any mechanical impact on the packaging during transport.
- When unloading / loading is not allowed to use any kind of technology that works on the principle of clamping packaging.

Environmental protection



Recycle raw materials instead of disposing as waste.

Appliance, accessories and packaging should be sorted for environment-friendly recycling.

The plastic components are labelled for categorized recycling.

These instructions are printed on recycled paper manufactured without chlorine.

The manufacturer reserves the possibility to introduce changes.

English

14

Datos técnicos

Láser de línea		CT44022	CT44023	CT44024
Código del aparato		421555	421552	421579
Vigas proyectadas		1V 1H 1D	2V 1H 1D	4V 1H 1D
Rango de trabajo	[m]	30	30	30
Precisión de nivelado:				
- viga horizontal		±1 mm a 7 m	±1 mm a 7 m	±1 mm a 7 m
- viga vertical		±1 mm a 7 m	±1 mm a 7 m	±1 mm a 7 m
- punto de plomería		±1 mm a 1,5 m	±1 mm a 1,5 m	±1 mm a 1,5 m
- líneas superiores		±1 mm a 5 m	±1 mm a 5 m	±1 mm a 5 m
- perpendicularidad de la viga		±2 mm a 5 m	±2 mm a 5 m	±2 mm a 5 m
Tiempo de auto nivelado	[s]	≤5	≤5	≤5
Rango de auto nivelado		±3°	±3°	±3°
Clase de láser		II	II	II
Tipo de laser	[nm]	525	525	525
Tipo de batería		3,7V; Li-Ion	3,7V; Li-Ion	3,7V; Li-Ion
Tiempo de carga de la batería	[min]	180-240	180-240	180-240
Hilo para trípode		5/8"	5/8"	5/8"
Rango de temperatura de funcionamiento	[°C]	-10 ... +40	-10 ... +40	-10 ... +40
Rango de temperatura de almacenamiento	[°C]	-20 ... +55	-20 ... +55	-20 ... +55
Peso	[kg] [lb]	1,03 2.27	1,04 2.29	1,04 2.29
* V - plano vertical, H - plano horizontal, D - punto de plomería				

CE Declaración de conformidad

Declaramos bajo nuestra exclusiva responsabilidad que el producto descrito en "Datos técnicos" guarda conformidad con todas las disposiciones correspondientes de las directivas 2006/42/EC, incluidas las modificaciones y que cumple con los siguientes estándares: IEC 60825-1:2014.

Gerente de certificación



Wu Cunzhen

Merit Link International AG
Stabio, Suiza, 08.02.2019

Reglas de seguridad generales



ADVERTENCIA - ¡Para reducir el riesgo de lesiones, el usuario debe leer el manual de instrucciones!



¡ATENCIÓN! Antes de usar el aparato por primera vez, lea este manual atentamente y siga todas las recomendaciones y reglas.

Español
15

Tenga el manual a mano para referencia futura o para el siguiente propietario.

- Compruebe la integridad de la carcasa del aparato antes de utilizarlo. En caso de presentar cualquier daño, el aparato no debe utilizarse.



No dirija ningún rayo láser a personas o animales ni mire a ningún rayo láser directo ni reflejado. Un rayo láser puede cegar a personas, causar accidentes o dañar los ojos. Está terminantemente prohibido mirar al rayo láser a través de aparatos ópticos (prismáticos, telescopios, etc.); esto puede causar daños en la retina. **Atención: los anteojos incluidos en la entrega del aparato no son protectores y pretenden mejorar la visibilidad del rayo láser. No mire el rayo láser con estos anteojos, puede causar lesiones.**

- No opere el aparato en atmósferas con vapores, polvos ni gases explosivos.
- Al trabajar, tenga en cuenta los factores que pueden causar resultados de medición erróneos:
 - contaminación de ventana emisora de láser;
 - medición a través de objetos transparentes (ventanas, acuarios, etc.);
 - medición en superficies reflectantes (espejos, superficies de metal pulido, etc.);
 - presencia de vapor, polvo, humo, etc. en el aire.
- No exponga el aparato a la humedad ni permita que la humedad entre en el mismo. No lo sumerja en líquido.
- No deje caer ni golpee el aparato.
- Proteja el aparato de los campos electromagnéticos (por ejemplo, calentadores de inducción o soldaduras de arco eléctrico).
- En caso de cambio súbito en la temperatura ambiente, no opere el aparato por al menos durante 30 minutos.
- No deje el aparato cerca de objetos con altas temperaturas.

Uso y cuidado de la herramienta a batería

- **Recargue sólo con el cargador especificado por el fabricante.** Un cargador adecuado para un tipo de bloque de baterías puede crear un riesgo de incendio cuando se utiliza con otro bloque de batería.
- **Use el aparato solo con el paquete de pilas adecuado.** El uso de otro tipo de pilas puede causar lesiones e incendio.
- **Bajo condiciones abusivas, se puede expulsar líquido de la batería; evite el contacto. En caso de contacto accidental, enjuagar con agua. Si el líquido entra en contacto con los ojos, busque ayuda médica.** El líquido expulsado de la batería puede causar irritación o quemaduras.
- **No abrir las baterías.** Peligros del circuito.
- **En caso de daños y uso indebido de la batería, pueden emitirse vapores. Proporcionar aire fresco y buscar ayuda médica en caso de quejas.** Los vapores pueden irritar el sistema respiratorio.
- **Cuando la batería esté defectuosa, el líquido puede escapar y entrar en contacto con componentes adyacentes.** Revisar las piezas correspondientes. Limpiar dichas piezas o reemplazarlas si es necesario.

- **Proteger la batería contra el calor, por ejemplo, también contra la irradiación solar continua y el fuego.** Existe peligro de explosión.
- **Proteger el cargador de batería de la lluvia y la humedad.** La penetración de agua en un cargador de batería aumenta el riesgo de descarga eléctrica.
- **No cargar otras baterías.** El cargador de batería sólo es adecuado para cargar baterías de iones de litio dentro del rango de tensión indicado. De lo contrario, existe peligro de incendios y explosión.
- **Mantener el cargador de batería limpio.** La contaminación puede causar peligro de descarga eléctrica.
- **Revisar el cargador de la batería, el cable y el enchufe siempre antes de usarlos. No utilizar el cargador de batería cuando se detecten defectos. No abrir el cargador de baterías por su cuenta, hacer que se repare sólo por personal calificado que utilice repuestos originales.** Los cargadores, los cables y los enchufes dañados aumentan el riesgo de descarga eléctrica.
- **No utilizar el cargador de baterías en superficies fácilmente inflamables (por ejemplo, papel, textiles, etc.) o en ambientes combustibles.** Existe peligro de incendio debido al calentamiento del cargador durante la carga.

Mantenimiento del aparato









El mantenimiento de su aparato debe estar a cargo de personal calificado que use piezas de repuesto recomendadas. Esto garantiza la preservación de la seguridad del aparato.

Símbolos usados en el manual

Los siguientes símbolos se utilizan en el manual de operaciones, recuerde sus significados. La interpretación correcta de los símbolos permitirá el uso correcto y seguro del aparato.

Símbolo	Significado
	Etiqueta con número de serie: CT ... - modelo; XX - fecha de fabricación; XXXXXXX - número de serie.
	Lea todas las reglas e instrucciones de seguridad.
	¡Precaución! Radiación láser.
	Dirección del movimiento.
	Dirección de la rotación.

Español

Símbolo	Significado
	Señal acústica.
	Tiempo de carga de la batería.
	Bloqueado.
	Desbloqueado.
	Un signo que certifica que el producto cumple con los requisitos esenciales de las directivas de la UE y las normas armonizadas de la UE.
	Atención. Importante.
	Información útil.
	No deseche del aparato en un recipiente de basura doméstico.

Uso previsto

El láser de línea es para dibujar y / o controlar líneas horizontales, verticales e inclinadas.

Componentes

- 1 Correa
- 2 Cubierta de compartimento de la batería
- 3 Tomacorriente para el conector de unidad eléctrica
- 4 Ventana emisora vertical
- 5 Interruptor de encendido / apagado del rayo láser horizontal
- 6 Interruptor de encendido / apagado del rayo láser con cabezal láser bloqueado
- 7 Interruptor de encendido / apagado del rayo láser vertical
- 8 Nivel de la burbuja
- 9 Bloqueo de la posición del cabezal láser
- 10 Pata ajustable
- 11 Tornillo giratorio
- 12 Ventana emisora horizontal
- 13 Unidad de energía *
- 14 Correa de transporte *
- 15 Anteojos de visualización láser *
- 16 Estuche *

- 17 Tapón ciego
18 Indicador

* Accesorios

No todos los accesorios fotografiados o descritos están incluidos en el envío estándar.

Instalación / regulación



No apriete demasiado los elementos de ajuste para evitar dañar el hilo.



El montaje / desmontaje / ajuste de algunos elementos es similar para todos los modelos del aparato. En este caso, no se indica el modelo del aparato en particular en el dibujo explicativo.

Patatas ajustables (ver fig. 1)

En caso de señal acústica y rayo láser intermitente cuando se enciende el aparato, la desalineación horizontal del aparato es superior a $\pm 3^\circ$. Ajuste la posición del aparato con las patas 10 con referencia a la indicación de nivel 8 de la burbuja como se muestra en la figura 1.

Carga de la pila

Funcionamiento inicial

El aparato se entrega con carga de pila parcial. Cargue totalmente la pila antes del primer uso del aparato.

Carga (ver fig. 2)

- Conecte la unidad eléctrica 13 a la red principal (si la luz indicador 18 es verde, está listo para cargar).
- Conecte el enchufe de la unidad eléctrica 13 en el tomacorriente 3 (ver fig. 2). Durante la carga, el indicador 18 se ilumina en rojo. Cuando esté lista la carga, el indicador 18 se iluminará en verde.
- Cuando la carga esté completa, desconecte el enchufe de la unidad eléctrica 13 del tomacorriente 3 y desconecte la unidad eléctrica 13 de la red principal.



Durante la carga, la pila y la unidad eléctrica 13 del aparato pueden calentarse. No hay problema.



Puede usar el aparato durante la carga. No causará daño a la pila.

Encendido / apagado

Cuando se activa el auto nivelado

Encender:

Fije la traba 9 en posición como lo indica la fig. 3.1. Esto desbloqueará el engranaje de suspensión del ca-

Español

bezal láser, encenderá el láser y la luz de nivel de la burbuja 8. Si el aparato se posiciona en una superficie inclinada con un ángulo mayor de $\pm 3^\circ$, oirá una señal acústica. Puede encender / apagar los rayos láser al presionar los interruptores 5 y 7.

Apagar:

Fije la traba 9 en posición como lo indica la fig. 3.2. Esto bloqueará el engranaje de suspensión del cabezal láser, apagará el láser y la luz de nivel de burbuja 8.

Cuando se apaga el auto nivelado

Encender:

Fije la traba 9 en posición como lo muestra la fig. 3.2. Luego presione y suelte los interruptores de encendido y apagado 6. Ahora está encendido el láser, pero está bloqueado el engranaje de suspensión del cabezal láser. No se dan señales acústicas cuando el aparato está inclinado, puede encender o apagar los rayos láser al oprimir los interruptores de encendido / apagado 5 y 7.

Apagar:

Presione y suelte los interruptores de encendido / apagado 6.

Características de diseño

Sistema de auto nivelado del cabezal láser

El sistema de auto nivelado de cabezal láser hace posible la medición láser, si el aparato se coloca en una superficie inclinada o desnivelada (el ángulo de inclinación no debe exceder $\pm 3^\circ$).

Si se supera el ángulo máximo de inclinación posible, los rayos láser empiezan a parpadear; el aparato da una señal acústica. En este caso, coloque el aparato en una superficie pareja o ajuste la posición con las patas ajustables 10. Use el nivel de burbuja 8 para facilitar la posición del aparato.



Atención: si se mueve el aparato durante el uso, bloquee el cabezal láser durante el almacenamiento y transporte (fije la traba 9 en la posición que indica la fig. 3.2).

Patatas ajustables (ver fig. 1.1)

Las patas ajustables 10 permiten la alineación de la posición del aparato si se coloca sobre una superficie despareja o inclinada (ver fig. 1.1).

Nivel de la burbuja

El nivel de la burbuja 8 muestra la posición del aparato en el plano horizontal. Si la burbuja de aire está en la mitad del nivel de burbuja 8, el aparato está correctamente posicionado (ver fig. 1.2).

Tornillo giratorio (ver fig. 4)

Los tornillos giratorios 11 hacen posible colocar el aparato en ángulo leve con alta precisión (ver fig. 4).

Consejos de trabajo

Prueba de precisión



Si el error de medición supera la variación máxima permitida durante la prueba de precisión, contacte al centro de servicios CROWN.

Factores que influyen en la precisión del aparato:

- Temperatura ambiente, por ejemplo: diferencia de temperatura que puede haber con la distancia del suelo. La diferencia de temperatura es más considerable cerca de la superficie del suelo, por lo tanto, se recomienda usar el trípode para las mediciones en las áreas con longitudes que superen los 20 m.
- La contaminación de la ventana emisora láser. Siempre verifique las ventanas protectoras para saber si hay contaminación antes del uso, y límpielas si fuera necesario.
- La medición a través de superficies transparentes (ventanas, acuarios, etc.): no es recomendable realizar tal medición.
- La medición en superficies reflectantes (espejos, superficies de metal pulido, etc.): no es recomendable realizar tal medición.
- Presencia de vapor, polvo, humo, etc.: no se recomienda realizar tal medición.
- Caída del aparato o golpe fuerte. En este caso, se recomienda realizar la prueba de precisión. Si se supera la variación máxima permitida, contacte al centro de servicio CROWN.

Prueba de precisión de rayo horizontal (inclinación de superficie) (ver fig. 3, 5)

- Ubique el aparato encima de una superficie horizontal pareja entre dos paredes ("A" y "B" en la figura) a 7 m de distancia entre sí.
- Encienda el aparato como se describe arriba (auto nivelado del cabezal láser encendido, ver la fig. 3.1). Encienda los rayos láser, verticales y horizontales.
- Marque el punto de intersección de los dos rayos láser en la pared "A" (punto "a1" en la fig. 5.1).
- Gire el cuerpo del aparato y marque el punto de intersección de dos rayos láser en la pared "B" (punto "b1" en la fig. 5.2).
- Posicione el aparato en la distancia de 0,5-0,7 m desde la pared y marque los mismos puntos (punto "a2" y "b2" en fig. 5.3 y 5.4).
- Si las variaciones [a1-a2] y [b1-b2] no difieren entre sí en valores que superen la variación permitida, especificada en la hoja de datos técnicos (1 mm), la precisión del aparato está dentro de los límites permitidos.

Ejemplo: la diferencia [a1-a2]=6 mm y [b1-b2]=5 mm. Por lo tanto, el valor de la variación del aparato es [a1-a2]-[b1-b2]=6-5=1 mm.

Prueba de precisión de rayo horizontal (flexión de superficie) (ver fig. 3, 6)

- Ponga el aparato en una superficie horizontal plana a unos 7 m de la pared.
- Encienda el aparato como se describe arriba (auto nivelado de cabezal láser encendido, ver fig. 3.1). Encienda los rayos láser, verticales y horizontales.
- Marque el punto de intersección de los dos rayos láser en la pared "A" (punto "c1" en la fig. 6.1).

Español

- Gire el cuerpo del aparato a la derecha (punto "c2") unos 2,5 m y asegúrese de que la línea horizontal coincida con el punto "c1" o la distancia de este punto ("x1") no supere la mitad del valor de variación permitido (0,5 mm), especificado en la hoja de datos técnicos (ver fig. 6.2).
- Realice la misma acción al girar el cuerpo del aparato a la izquierda (punto "c3" y distancia "x2") (ver fig. 6.3).

Prueba de precisión de rayo vertical (ver fig. 3, 7)

- Ponga el aparato en una superficie horizontal plana a unos 7 m de la pared.
- Fije una línea de plomería de unos 2,5 m de largo a la pared.
- Encienda el aparato como se describe arriba (auto nivelado de cabezal láser encendido, ver fig. 3.1). Encienda el rayo láser vertical y enfóquelo hacia la línea de plomería (ver fig. 7).
- El rayo láser iluminará de manera pareja la línea de plomería en toda su longitud. Si no fuera así, la compensación ("x3") no superará el valor de variación (1 mm) especificado en la hoja de datos técnicos.

Prueba de precisión de punto de plomería (ver fig. 3, 8)

- Posicione el aparato a 1,5 m del suelo.
- Encienda el aparato como se describe arriba (auto nivelado de cabezal láser encendido, ver fig. 3.1). Encienda el rayo láser vertical y el horizontal, marque la posición del punto de plomería (ver fig. 8.1).
- Gire el cuerpo del aparato a 90°, 180°, 270°, 360° y marque la posición del punto de plomería en cada una de las posiciones indicadas (ver fig. 8.2). Estas marcas coincidirán o estarán dentro del círculo con diámetro de hasta 1 mm (ver fig. 8.3).

Prueba de precisión de intersección de líneas superiores (ver fig. 3, 9)

[CT44023, CT44024]

- Posicione el aparato en una superficie plana a 2,5 m del techo.
- Encienda el aparato como se describe arriba (auto nivelado de cabezal láser encendido, ver fig. 3.1). Encienda todos los rayos láser verticales y marque el punto de intersección en el techo (ver fig. 9.1).
- Gire el cuerpo del aparato a 90°, 180°, 270°, 360° y marque el punto de intersección en cada una de las posiciones indicadas (ver fig. 9.2). Estas marcas coincidirán o estarán dentro del círculo con diámetro de hasta 0,5 mm (ver fig. 9.3).

Prueba de perpendicularidad de rayos láser verticales (ver la fig. 10)

[CT44023, CT44024]

- Posicione el aparato sobre una superficie horizontal plana a unos 2,5 m de las paredes (ver fig. 10, que muestra la vista superior esquemática).
- Gire el aparato como se describe arriba (auto nivelado de cabezal láser encendido, ver fig. 3.1). Encienda dos rayos láser verticales perpendiculares ("L1" y "L2") y marque su posición en las paredes (líneas "d1" y "d2") (ver fig. 10.1).

- Gire el cuerpo del aparato a 90° de su posición original, alinee el rayo láser "L1" con la línea "d2" y marque la posición del rayo "L2" con la línea "d3" (ver fig. 10.2).
- Gire el cuerpo del aparato a 180° de su posición original, alinee el rayo láser "L1" con la línea "d3" y marque la posición del rayo "L2" con la línea "d4" (ver fig. 10.3).
- Gire el cuerpo del aparato a 270° de su posición original, alinee el rayo láser "L1" con la línea "d3" y marque la posición del rayo "L2" con la línea "d5" (ver fig. 10.4).
- Mida la distancia ("x4") entre las líneas "d1" y "d5", no superará la mitad del valor de variación (1 mm), especificado en la hoja de datos técnicos.

Recomendación general (ver fig. 11)

- Antes de comenzar el trabajo, asegúrese de que se realizarán todas las mediciones en condiciones adecuadas (ver la sección "Factores que influyen en la precisión del aparato").
- Coloque correctamente el aparato con referencia a las indicaciones de nivel de burbuja 8. Si fuera necesario, ajuste la posición del aparato con las patas ajustables 10. Se puede compensar una mala alineación horizontal imperceptible con el sistema de auto nivelado de cabezal láser (sin superar $\pm 3^\circ$).
- Póngase los anteojos 15 para mejorar la visibilidad del rayo láser. **Atención: los anteojos 15 no son protectores. Se prohíbe estrictamente mirar el rayo láser con estos anteojos puestos: puede causar daño a la retina ocular.**
- Encienda el aparato como se describe arriba. Si enciende el aparato con auto nivelado de cabezal láser encendido y oye una señal acústica, parpadean los rayos láser, y deberá volver a posicionar el aparato, en caso contrario, serán incorrectas las mediciones.
- Puede marcar las líneas inclinadas cuando el auto nivelado de cabezal láser esté apagado (ver fig. 11). **¡Atención! No marque rayos horizontales y verticales de este modo: su posición es incorrecta.**
- Puede encender el cuerpo del aparato manualmente (con rapidez) con el uso de tornillos giratorios 11 (de manera lenta pero precisa).
- Después de terminar el trabajo, apague el aparato como se describe arriba (la traba 9 estará en la posición que muestra la fig. 3.2 y los rayos láser deben estar apagados).
- Se recomienda poner el aparato en caso de almacenamiento y transporte a largo plazo en el estuche 16. Asegúrese de que no haya gotas de humedad en los elementos del aparato (si es necesario, limpie con un paño suave), después de eso, coloque el aparato en el estuche 16.

Mantenimiento / medidas preventivas

Limpieza del aparato

- Mantenga limpio el aparato. No use solventes ni sustancias cáusticas.
- Se limpiarán las ventanas emisoras con un paño suave. No use objetos afilados ni agentes corrosivos para este fin.

Español

Servicio de post-venta y servicio de aplicaciones

Nuestro servicio de post-venta responde a sus preguntas sobre el mantenimiento y la reparación de su producto, así como también sobre los repuestos. La información sobre los centros de servicio, los diagramas de las piezas y sobre los repuestos también se puede encontrar en: www.crown-tools.com.

Cómo transportar

- Está terminantemente prohibido dejarlas caer para que no se produzca ningún impacto mecánico en el embalaje durante el transporte.

- Cuando se descarguen / carguen, no se permite usar ningún tipo de tecnología que funcione bajo el principio de sujeción de embalajes.

Protección del medio ambiente



Recicle las materias primas en lugar de eliminarlas como basura.

El aparato, los accesorios y el empaquetado deben clasificarse para el reciclaje ecológico. Las piezas de material plástico están marcadas para un reciclado selectivo. Estas instrucciones están impresas sobre papel reciclado sin la utilización de cloro.

El fabricante se reserva la posibilidad de incluir cambios.

Español

20

Технические данные

Линейный лазер		СТ44022	СТ44023	СТ44024
Код устройства		421555	421552	421579
Проецируемые лучи		1V 1H 1D	2V 1H 1D	4V 1H 1D
Рабочий диапазон	[м]	30	30	30
Погрешность измерений:				
- горизонтальный луч		±1 мм на 7 м	±1 мм на 7 м	±1 мм на 7 м
- вертикальный луч		±1 мм на 7 м	±1 мм на 7 м	±1 мм на 7 м
- точки отвеса		±1 мм на 1,5 м	±1 мм на 1,5 м	±1 мм на 1,5 м
- верхних линий		±1 мм на 5 м	±1 мм на 5 м	±1 мм на 5 м
- перпендикулярность лучей		±2 мм на 5 м	±2 мм на 5 м	±2 мм на 5 м
Время самовыравнивания	[с]	≤5	≤5	≤5
Диапазон самовыравнивания		±3°	±3°	±3°
Класс лазера		II	II	II
Длина волны лазера	[нм]	525	525	525
Тип аккумулятора		3,7V; Li-Ion	3,7V; Li-Ion	3,7V; Li-Ion
Время зарядки аккумулятора	[мин]	180-240	180-240	180-240
Резьба для штатива		5/8"	5/8"	5/8"
Диапазон рабочей температуры	[°C]	-10 ... +40	-10 ... +40	-10 ... +40
Диапазон температуры хранения	[°C]	-20 ... +55	-20 ... +55	-20 ... +55
Вес	[кг] [фунты]	1,03 2.27	1,04 2.29	1,04 2.29
* V - вертикальная плоскость, H - горизонтальная плоскость, D - точка отвеса				

CE Соответствия требуемым нормам

Мы заявляем под нашу единоличную ответственность, что описанный в разделе "Технические данные" продукт отвечает всем соответствующим положениям Директив 2006/42/ЕС, включая их изменения, а также следующим нормам: IEC 60825-1:2014.

Менеджер по сертификации



Wu Cunzhen

Merit Link International AG
Stabio, Швейцария, 08.02.2019

Общие указания по технике безопасности



ПРЕДУПРЕЖДЕНИЕ - Чтобы снизить риск получения травм, пользователь должен ознакомиться с руководством по эксплуатации!

Русский
21



ВНИМАНИЕ! Перед первым применением вашего устройства внимательно прочтите данную инструкцию и соблюдайте все рекомендации и правила, изложенные в ней.

Сохраните инструкцию для дальнейшего пользования или для следующего владельца.

- Перед началом использования проверьте целостность корпуса устройства, при обнаружении любых повреждений использовать устройство запрещено.



Не направляйте луч лазера на людей или животных и сами не смотрите на прямой или отраженный луч лазера. Лазерный луч может ослепить людей, стать причиной несчастного случая или повредить глаза. Категорически запрещается смотреть на луч лазера сквозь оптические приборы (бинокли, подзорные трубы и т.п.) - это может стать причиной повреждений сетчатки глаз. **Внимание: очки, входящие в комплект поставки устройства, не являются защитными и предназначены для улучшения видимости лазерного луча - не смотрите сквозь эти очки на луч лазера это может стать причиной травм.**

- Не используйте устройство в среде взрывоопасных газов, пыли или пара.
- При работе учитывайте, что некоторые факторы могут стать причиной ошибочных результатов измерения:
 - загрязнение окна лазерного излучателя;
 - измерения, проводимые сквозь прозрачные поверхности (окна, аквариумы и т.п.);
 - измерения на отражающих поверхностях (зеркала, полированный металл и т.п.);
 - наличие в воздухе пара, пыли, дыма и т.п.
- Не допускайте попадания влаги на устройство или внутрь его. Не погружайте устройство в жидкость.
- Оберегайте устройство от падения или ударов.
- Оберегайте устройство от электромагнитных полей (например, от электродуговой сварки или индукционных нагревателей).
- В случае резкого изменения температуры окружающей среды не используйте устройство минимум 30 минут.
- Не оставляйте устройство вблизи объектов, имеющих высокую температуру.

Эксплуатация и обслуживание аккумуляторного инструмента

- **Заряжайте только при помощи зарядного устройства, рекомендованного производителем.** Зарядное устройство, предназначенное для аккумулятора определенного типа, при использовании с аккумулятором другого типа может стать причиной возгорания.
- **Используйте устройство только с предназначенными для них аккумуляторными.** Использование других аккумуляторов может привести к риску получения травмы и возгорания.
- **При неправильном обращении может произойти утечка жидкости, находящейся внутри аккумулятора; не допускайте контакта с такой жидкостью, в противном случае промойте ме-**

сто контакта водой. При попадании жидкости в глаза немедленно обратитесь за медицинской помощью. Жидкость, находящаяся в аккумуляторе, может стать причиной раздражения или химических ожогов.

- **Не разбирайте аккумулятор.** Имеется риск короткого замыкания.
- **Повреждение аккумулятора или его неправильное использование может привести к выделению паров.** Обеспечьте доступ свежего воздуха в помещении; при наличии жалоб обратитесь за медицинской помощью. Испарения могут вызывать раздражение дыхательной системы.
- **При повреждении аккумулятора жидкость может вытечь и попасть на находящиеся рядом детали.** Проверьте состояние таких деталей. Очистите их от жидкости или, при необходимости, замените.
- **Не допускайте перегрева аккумулятора, например, вследствие длительного воздействия солнечных лучей или огня.** Невыполнение этого условия может стать причиной взрыва аккумулятора.
- **Оберегайте зарядное устройство от воздействия дождя и влаги.** Попадание воды в зарядное устройство увеличивает риск поражения электрическим током.
- **Используйте зарядное устройство для зарядки аккумуляторов только рекомендованного типа.** Данное зарядное устройство предназначено для зарядки только литий - ионных аккумуляторов в пределах указанного диапазона напряжения. При невыполнении этого требования существует опасность возгорания и взрыва.
- **Не допускайте загрязнения зарядного устройства.** Наличие грязи может привести к поражению электрическим током.
- **Перед использованием, каждый раз проверяйте состояние зарядного устройства, кабеля и разъемов. Не используйте зарядное устройство, имеющее какие-либо неисправности. Не разбирайте зарядное устройство самостоятельно, ремонт и обслуживание должны проводиться только квалифицированным персоналом с использованием оригинальных запчастей.** Повреждения зарядного устройства, кабеля и разъемов увеличивает риск поражения электрическим током.
- **Не используйте зарядное устройство на легко возгораемых поверхностях (например, на бумаге, тканях и т.д.) или в пожароопасной среде.** Во время процесса зарядки зарядное устройство нагревается и невыполнение этих требований может привести к возгоранию.

Обслуживание устройства

Обслуживание Вашего устройства должно производиться квалифицированными специалистами с использованием рекомендованных запасных частей. Это дает гарантию того, что безопасность Вашего устройства будет сохранена.

Символы, используемые в инструкции

В руководстве по эксплуатации используются нижеприведенные символы, запомните их значение.

Русский

Правильная интерпретация символов поможет использовать устройство правильно и безопасно.

Символ	Значение
	Наклейка с серийным номером: CT ... - модель; XX - дата производства; XXXXXXX - серийный номер.
	Ознакомьтесь со всеми указаниями по технике безопасности и инструкциями.
	Осторожно! Излучение лазера.
	Направление движения.
	Направление вращения.
	Звуковой сигнал.
	Время зарядки аккумулятора.
	Заблокировано.
	Разблокировано.
	Знак, удостоверяющий, что изделие соответствует основным требованиям директив ЕС и гармонизированным стандартам Европейского Союза.
	Внимание. Важная информация.
	Полезная информация.
	Не выбрасывайте устройство в бытовой мусор.

Назначение

Линейный лазерный нивелир предназначен для построения и (или) контроля горизонтальных, вертикальных и наклонных линий.

Элементы устройства

- 1 Ремешок
- 2 Крышка батарейного отсека
- 3 Разъем для подключения блока питания
- 4 Вертикальное окно излучателя
- 5 Включатель / выключатель горизонтального лазерного луча
- 6 Включатель / выключатель лазерных лучей при заблокированной лазерной головке
- 7 Включатель / выключатель / переключатель вертикального лазерного луча
- 8 Пузырьковый уровень
- 9 Фиксатор положения лазерной головки
- 10 Регулируемая ножка
- 11 Поворотный винт
- 12 Горизонтальное окно излучателя
- 13 Блок питания *
- 14 Ремень для переноски *
- 15 Очки *
- 16 Кейс *
- 17 Заглушка
- 18 Индикатор

* Принадлежности

Перечисленные, а также изображенные принадлежности, частично не входят в комплект поставки.

Монтаж и регулировка



Не затягивайте слишком сильно крепежные элементы, чтобы не повредить их резьбу.



Монтаж / демонтаж / настройка некоторых элементов аналогична для всех моделей устройств, в этом случае на пояснительном рисунке конкретная модель не указывается.

Регулируемые ножки (см. рис. 1)

Если при включении устройства Вы слышите звуковой сигнал, а лазерные лучи мигают, это значит, что отклонение устройства от горизонтальной плоскости более $\pm 3^\circ$.

Отрегулируйте положение устройства при помощи ножек **10** в соответствии с показаниями пузырькового уровня **8**, как показано на рисунке 1.

Зарядка аккумулятора

Ввод в эксплуатацию

Устройство поставляется с частично заряженным аккумулятором. Перед первым использо-

Русский

ванием обязательно произведите его полную зарядку.

Процесс зарядки (см. рис. 2)

- Подключите блок питания **13** к сети (индикатор **18** светится зеленым цветом, состояние готовности к зарядке).
- Вставьте штекер блока питания **13** в разъем **3** (см. рис. 2). Во время зарядки индикатор **18** светится красным цветом, после окончания зарядки индикатор **18** начинает светиться зеленым цветом.
- После окончания зарядки извлеките штекер блока питания **13** из разъема **3**, и отключите блок питания **13** от сети.



В процессе зарядки аккумулятор устройства и блок питания **13** нагреваются - это нормально.



При зарядке аккумулятора Вы можете пользоваться устройством - это не окажет негативного воздействия на аккумулятор.

Включение / выключение

С включенной функцией самовыравнивания

Включение:

Установите фиксатор **9** в положение, показанное на рисунке 3.1. Это разблокирует подвесной механизм лазерной головки, включит питание лазера и подсветку пузырькового уровня **8**. Если устройство установлено с уклоном более $\pm 3^\circ$ то будет подаваться звуковой сигнал. Нажимая кнопки **5** и **7** Вы можете включать или отключать лазерные лучи.

Выключение:

Установите фиксатор **9** в положение, показанное на рисунке 3.2. Это заблокирует подвесной механизм лазерной головки, выключит питание лазера и подсветку пузырькового уровня **8**.

С выключенной функцией самовыравнивания

Включение:

Установите фиксатор **9** в положение, показанное на рисунке 3.2, затем нажмите и отпустите кнопку **6**. Включится питание лазера, но подвесной механизм лазерной головки будет заблокирован. При наклоне устройства звуковой сигнал не будет подаваться. Нажимая кнопки **5** и **7** Вы можете включать или отключать лазерные лучи.

Выключение:

Нажмите и отпустите кнопку **6**.

Конструктивные особенности

Система самовыравнивания лазерной головки

Система самовыравнивания лазерной головки позволяет производить замеры при установке устройства на неровной или наклонной поверхности (уклон не более $\pm 3^\circ$).

При превышении предельно допустимого уклона лазерные лучи мигают и устройство издает звуковой сигнал. В этом случае необходимо либо переустановить устройство на более ровное место, либо выровнять положение устройства при помощи регулируемых ножек **10**. Используйте пузырьковый уровень **8**, для облегчения установки устройства.



Внимание: при перемещении устройства во время работы, при хранении и транспортировке всегда блокируйте положение лазерной головки (устанавливайте фиксатор **9** в положение, показанное на рисунке 3.2).

Регулируемые ножки (см. рис. 1.1)

Регулируемые ножки **10** позволяют выровнять положение устройства при установке его на неровные или наклонные поверхности (см. рис. 1.1).

Пузырьковый уровень

Пузырьковый уровень **8** показывает положение устройства в горизонтальной плоскости. Устройство установлено правильно, если пузырек воздуха находится посередине пузырькового уровня **8** (см. рис. 1.2).

Поворотный винт (см. рис. 4)

Поворотные винты **11** позволяют осуществлять точный поворот корпуса устройства на малые углы (см. рис. 4).

Рекомендации при работе

Проверка точности устройства



Если при проверке точности, погрешность превышает максимально допустимое отклонение обратитесь в сервисный центр CROWN.

Факторы, влияющие на точность:

- Температура окружающей среды. Например, температурные перепады, имеющие место, по мере удаления от почвы. Перепад температур наиболее ощутим вблизи грунта, поэтому при измерениях на участках длиной более 20 м рекомендуется устанавливать устройство на штатив.
- Загрязнение окна лазерного излучателя. Перед работой необходимо проверять чистоту защитных стекол излучателей и если необходимо очищать их.
- Измерения, проводимые сквозь прозрачные поверхности (окна, аквариумы и т.п.). Не рекомендуется производить измерения подобным способом.
- Измерения на отражающих поверхностях (зеркала, полированный металл и т.п.). Не рекомендуется производить измерения подобным способом.
- Наличие в воздухе пара, пыли, дыма и т.п. Не рекомендуется производить измерения в подобных условиях.

Русский

- Падение устройства или сильный удар по нему. После подобных случаев рекомендуется произвести проверку точности устройства. При превышении максимально допустимых отклонений обратитесь в сервисный центр **CROWN**.

Проверка точности горизонтального луча (наклон плоскости) (см. рис. 3, 5)

- Установите устройство на ровную горизонтальную поверхность, между двух стен (на рисунке обозначены "А" и "В"), находящихся на расстоянии 7 м друг от друга.
- Включите устройство, как описано выше (с включенной функцией самовыравнивания лазерной головки, см. рис. 3.1). Включите горизонтальный и вертикальный лазерные лучи.
- На стене "А", отметьте точку пересечения лазерных лучей (точка "а1" на рисунке 5.1).
- Поверните корпус устройства и на стене "В", отметьте точку пересечения лазерных лучей (точка "b1" на рисунке 5.2).
- Установите устройство на расстоянии 0,5-0,7 м от стены и нанесите такие же отметки (точки "а2" и "b2" на рисунках 5.3 и 5.4).
- Если разности $[a1-a2]$ и $[b1-b2]$ не отличаются друг от друга более чем на величину погрешности указанную в технических данных (1 мм), то точность устройства находится в допустимых пределах.

Пример: при проведении проверки точности разница $[a1-a2]=6$ мм и $[b1-b2]=5$ мм. Таким образом погрешность устройства: $[a1-a2]-[b1-b2] = 6-5 = 1$ мм.

Проверка точности горизонтального луча (изгиб плоскости) (см. рис. 3, 6)

- Установите устройство на ровную горизонтальную поверхность, на расстоянии приблизительно 7 м от стены.
- Включите устройство, как описано выше (с включенной функцией самовыравнивания лазерной головки, см. рис. 3.1). Включите горизонтальный и вертикальный лазерные лучи.
- Отметьте на стене точку пересечения лазерных лучей (точка "с1" на рисунке 6.1).
- Поверните корпус устройства вправо (точка "с2"), примерно на 2,5 м, убедитесь, что горизонтальная линия лазера либо совпадает с точкой "с1", либо расстояние ("х1") от нее не превышает половины величины погрешности (0,5 мм), указанной в технических данных (см. рис. 6.2).
- Повторите эти же действия, поворачивая корпус устройства влево (точка "с3" и расстояние "х2") (см. рис. 6.3).

Проверка точности вертикального луча (см. рис. 3, 7)

- Установите устройство на ровную горизонтальную поверхность, на расстоянии приблизительно 7 м от стены.
- На стене закрепите отвес со шнуром длиной около 2,5 м.
- Включите устройство, как описано выше (с включенной функцией самовыравнивания лазерной головки, см. рис. 3.1). Включите вертикальный лазерный луч и направьте его на шнур отвеса (см. рис. 7).

- Лазерный луч должен равномерно освещать шнур отвеса по всей длине, если это не так, то отклонение ("х3") не должно превышать величину погрешности (1 мм), указанной в технических данных.

Проверка точности точки отвеса (см. рис. 3, 8)

- Установите устройство на высоте 1,5 м от пола.
- Включите устройство, как описано выше (с включенной функцией самовыравнивания лазерной головки, см. рис. 3.1). Включите горизонтальный и вертикальный лазерные лучи, отметьте положение точки отвеса (см. рис. 8.1).
- Поворачивайте корпус устройства на 90° , 180° , 270° , 360° , и отмечайте положение точки отвеса в каждом из этих положений (см. рис. 8.2). Эти отметки должны либо совпадать, либо лежать в пределах окружности не более 1 мм в диаметре (см. рис. 8.3).

Проверка точности пересечения верхних линий (см. рис. 3, 9)

[СТ44023, СТ44024]

- Установите устройство на ровную поверхность, на расстоянии 2,5 м от потолка.
- Включите устройство, как описано выше (с включенной функцией самовыравнивания лазерной головки, см. рис. 3.1). Включите все вертикальные лазерные лучи, отметьте на потолке точку их пересечения (см. рис. 9.1).
- Поворачивайте корпус устройства на 90° , 180° , 270° , 360° , и отмечайте положение точки пересечения вертикальных лазерных лучей в каждом из этих положений (см. рис. 9.2). Эти отметки должны либо совпадать, либо лежать в пределах окружности не более 0,5 мм в диаметре (см. рис. 9.3).

Проверка перпендикулярности вертикальных лазерных лучей (см. рис. 10)

[СТ44023, СТ44024]

- Установите устройство на ровную горизонтальную поверхность, на расстоянии приблизительно 2,5 м от стен (см. рис. 10, на рисунке 10 показан схематический вид сверху).
- Включите устройство, как описано выше (с включенной функцией самовыравнивания лазерной головки, см. рис. 3.1). Включите два перпендикулярных вертикальных лазерных луча ("L1" и "L2") и отметьте их положение на стенах (линии "d1" и "d2" (см. рис. 10.1).
- Поверните корпус устройства на 90° от исходного положения, совместите лазерный луч "L1" с линией "d2", а положение луча "L2" отметьте линией "d3" (см. рис. 10.2).
- Поверните корпус устройства на 180° от исходного положения, совместите лазерный луч "L1" с линией "d3", а положение луча "L2" отметьте линией "d4" (см. рис. 10.3).
- Поверните корпус устройства на 270° от исходного положения, совместите лазерный луч "L1" с линией "d3", а положение луча "L2" отметьте линией "d5" (см. рис. 10.4).
- Измерьте расстояние ("х4") между линиями "d1" и "d5" - оно не должно превышать половину вели-

Русский

25

чины погрешности (1мм), указанной в технических данных.

Общие рекомендации (см. рис. 11)

- Перед началом работ убедитесь, что измерения будут проводиться в подходящих условиях (см. "Факторы, влияющие на точность").
- Правильно установите устройство, ориентируясь на показания пузырькового уровня **8**. При необходимости отрегулируйте положение устройства при помощи регулируемых ножек **10**. Незначительные отклонения от горизонтального положения, могут быть скомпенсированы системой самовыравнивания лазерной головки (не более $\pm 3^\circ$).
- Для улучшения видимости лазерного луча наденьте очки **15**. **Внимание: очки 15 не являются защитными - категорически запрещается смотреть сквозь них на луч лазера это может стать причиной повреждения сетчатки глаз.**
- Включите устройство, как описано выше. Если при включении устройства с включенной функцией самовыравнивания лазерной головки Вы слышите звуковой сигнал, а лазерные лучи мигают, то необходимо переустановить устройство, в противном случае измерения будут не точными.
- При отключенной функции самовыравнивания лазерной головки Вы можете производить разметку наклонных линий (см. рис. 11). **Внимание! В этом режиме работы, не отмечайте горизонтальные и вертикальные линии - их положение неверное.**
- Вы можете поворачивать корпус устройства руками (быстро), либо при помощи поворотных винтов **11** (медленно, но точно).
- После окончания работы отключите устройство, как описано выше (фиксатор **9** должен находиться в положении, показанном на рисунке 3.2, а лазерные лучи должны быть отключены).
- Длительное хранение и транспортировку устройства рекомендуется проводить в кейсе **16**. Убедитесь, что на элементах устройства нет капель влаги (при необходимости вытрите их мягкой тряпкой), после чего уберите устройство в кейс **16**.

Обслуживание / профилактика

Чистка устройства

- Содержите устройство в чистоте. Не используйте едкие вещества или растворители для его очистки.
- Очистку загрязнений стекол излучателей производите при помощи мягкой ткани. Не используйте для этой цели острые предметы, или едкие вещества.

Послепродажное обслуживание

Ответы на вопросы по ремонту и обслуживанию вашего продукта вы можете получить в сервисных центрах. Информацию о сервисных центрах, схемы запчастей и информацию по запчастям Вы можете найти по адресу www.crown-tools.com.

Транспортировка

- Не допускайте падения упаковки, а также любые механические воздействия на нее при транспортировке.
- При погрузке / разгрузке не используйте погрузочную технику, работающую по принципу зажима упаковки.

Защита окружающей среды



Вторичное использование сырья вместо устранения мусора!

Устройство, дополнительные принадлежности и упаковку следует экологически чисто утилизировать.

В интересах чистосортной рециркуляции отходов детали из синтетических материалов соответственно обозначены. Настоящее руководство по эксплуатации напечатано на бумаге, изготовленной из вторсырья без применения хлора.

Оговаривается возможность внесения изменений.

Русский

26

Технічні дані

Лінійний лазер		СТ44022	СТ44023	СТ44024
Код пристрою		421555	421552	421579
Проектуючі промені		1V 1H 1D	2V 1H 1D	4V 1H 1D
Робочий діапазон	[м]	30	30	30
Точність нівелювання:				
- горизонтальний промінь		±1 мм на 7 м	±1 мм на 7 м	±1 мм на 7 м
- вертикальний промінь		±1 мм на 7 м	±1 мм на 7 м	±1 мм на 7 м
- точка схилю		±1 мм на 1,5 м	±1 мм на 1,5 м	±1 мм на 1,5 м
- верхні лінії		±1 мм на 5 м	±1 мм на 5 м	±1 мм на 5 м
- перпендикулярність променя		±2 мм на 5 м	±2 мм на 5 м	±2 мм на 5 м
Час автоматичного нівелювання	[с]	≤5	≤5	≤5
Діапазон автоматичного нівелювання		±3°	±3°	±3°
Клас лазера		II	II	II
Тип лазера	[нм]	525	525	525
Тип акумулятора		3,7V; Li-Ion	3,7V; Li-Ion	3,7V; Li-Ion
Час зарядки акумулятора	[хв]	180-240	180-240	180-240
Різьба для штатива		5/8"	5/8"	5/8"
Діапазон робочої температури	[°C]	-10 ... +40	-10 ... +40	-10 ... +40
Діапазон температури зберігання	[°C]	-20 ... +55	-20 ... +55	-20 ... +55
Вага	[кг] [фунти]	1,03 2.27	1,04 2.29	1,04 2.29
* V - вертикальна проекція, H - горизонтальна проекція, D - точка схилю				

CE **Відповідності необхідним нормам**

Ми заявляємо під нашу особисту відповідальність, що описаний в розділі "Технічні дані" продукт відповідає всім відповідним положенням Директиви 2006/42/ЕС, включаючи їх зміни, а також наступним нормам: IEC 60825-1:2014.

Менеджер із сертифікації

Wu Cunzhen

Wu Cunzhen

Merit Link International AG
Stabio, Швейцарія, 08.02.2019

Загальні правила техніки безпеки



ПОПЕРЕДЖЕННЯ - Щоб знизити ризик отримання травм, користувач повинен ознайомитися з керівництвом по експлуатації!

Українська
27



УВАГА! Перед першим використанням вашого пристрою уважно прочитайте дану інструкцію і дотримуйтесь всіх рекомендацій і правил, які викладені в ній.

Збережіть інструкцію для подальшого використання або для наступного власника.

- Перед початком використання перевірте цілісність корпусу пристрою, при виявленні будь-яких пошкоджень використовувати пристрій заборонено.



Не спрямовуйте промінь лазера на людей або тварин і самі не дивіться на прямий або відбитий промінь лазера. Лазерний промінь може засліпити людей, стати причиною нещасного випадку або травмувати очі. Категорично забороняється дивитися на промінь лазера крізь оптичні прилади (біноклі, підзорні труби і т.п.) - це може стати причиною пошкодження сітківки очей. **Увага: окуляри, які входять до комплекту постачання пристрою, не є захисними і призначені для покращення видимості лазерного променя - не дивіться крізь ці окуляри на промінь лазера, це може стати причиною травм.**

- Не використовуйте пристрій в середовищі вибухонебезпечних газів, пилу або пару.
- При роботі враховуйте, що деякі фактори можуть стати причиною помилкових результатів вимірювання:
 - забруднення вікна лазерного випромінювача;
 - вимірювання, які проводяться крізь прозорі поверхні (вікна, акваріуми тощо);
 - вимірювання на відображаючих поверхнях (дзеркала, полірований матеріал тощо);
 - наявність у повітрі пару, пилу, диму тощо.
- Не допускайте попадання вологи на пристрій або всередину нього. Не занурюйте пристрій у рідину.
- Оберегайте пристрій від падіння або ударів.
- Захищайте пристрій від електромагнітних полів (наприклад, від електродугового зварювання або індукційних нагрівачів).
- У випадку різкої зміни температури навколишнього середовища, не використовуйте пристрій мінімум 30 хвилин.
- Не залишайте пристрій поблизу об'єктів, які мають високу температуру.

Використання акумуляторних інструментів та догляд за ними

- **Заряджайте акумулятор тільки за допомогою зарядного пристрою, передбаченого виробником.** Зарядний пристрій, що підходить для одного типу акумуляторів, може створити ризик пожежі при використанні з іншим типом акумуляторів.
- **Використовуйте пристрій лише з призначеними для них акумуляторами.** Використання інших акумуляторів може привести до ризику отримання травми і спалаху.
- **За неналежних умов, електроліт може вилитися з акумулятору; уникайте контакту з ним. Якщо контакт випадково відбувся, промийте шкіру водою. Якщо електроліт потрапив в очі, додатково зверніться по медичну допомогу.** Електроліт з акумулятору може викликати свербіж або обпik.

- **Не відчиняйте акумулятор.** Небезпека замикання.
- **У разі ушкодження та неналежного використання акумулятору, може виділятися пара. Забезпечте доступ свіжого повітря і зверніться по медичну допомогу у разі потреби.** Пара може подразнювати дихальну систему.
- **Якщо акумулятор бракований, електроліт може вилитися і вступити в контакт з прилеглими компонентами.** Перевірте усі відповідні деталі. Очистіть такі деталі або замініть їх, якщо потребується.
- **Захищайте акумулятор від нагрівання, наприклад, від постійного сонячного випромінювання і від вогню.** Є ризик вибуху.
- **Захищайте зарядний пристрій акумулятору від дощу та вологи.** Проникнення води в зарядний пристрій акумулятору підвищує ризик ураження електричним струмом.
- **Не заряджайте інші акумулятори.** Зарядний пристрій акумулятору підходить тільки для зарядки літєво - іонних акумуляторів вказаного діапазону напруги. Інакше виникає ризик пожежі або вибуху.
- **Зберігайте зарядний пристрій акумулятору в чистому стані.** Забруднення може стати причиною ураження електричним струмом.
- **Перед кожним використанням перевіряйте зарядний пристрій акумулятору, кабель і вилку.** Не використовуйте зарядний пристрій акумулятору, якщо виявлені дефекти. Самостійно не відкривайте зарядний пристрій акумулятору і ремонтуйте його тільки у кваліфікованих фахівців. Пошкоджені зарядні пристрої, кабелі і вилки підвищують ризик ураження електричним струмом.
- **Не використовуйте зарядний пристрій акумулятору на легкозаймистих поверхнях (наприклад, папір, тканина і так далі) або в пожежо-небезпечному середовищі.** Є небезпека пожежі через нагрівання зарядного пристрою в процесі зарядки.

Обслуговування пристрою

Обслуговування Вашого пристрою повинно виконуватися кваліфікованими спеціалістами з використанням рекомендованих запасних частин. Це дає гарантію того, що безпека Вашого пристрою буде збережена.

Символи, що використовуються в інструкції

У керівництві користувача з експлуатації використовуються нижченаведені символи, запам'ятайте їх значення. Правильна інтерпретація символів допоможе використовувати пристрій правильно і безпечно.

Символ	Значення
	Наклейка з серійним номером: СТ ... - модель; XX - дата виробництва; XXXXXXX - серійний номер.

Символ	Значення
	Ознайомтесь з усіма вказівками з техніки безпеки та інструкціями.
	Обережно! Випромінювання лазера.
	Напрямок руху.
	Напрямок обертання.
	Звуковий сигнал.
	Час зарядки акумулятора.
	Заблоковано.
	Розблоковано.
	Знак, який засвідчує, що виріб відповідає основним вимогам директив ЄС та гармонізованим стандартам Європейського Союзу.
	Увага. Важлива інформація.
	Корисна інформація.
	Не викидайте пристрій разом із побутовим сміттям.

Призначення

Лінійний лазерний нівелір призначений для побудови і (або) контролю горизонтальних, вертикальних і похилих ліній.

Елементи пристрою

- 1 Ремінець
- 2 Кришка батарейного відсіку

- 3 Роз'єм для підключення блоку живлення
- 4 Вертикальне вікно випромінювача
- 5 Вмикач / вимикач горизонтального лазерного променю
- 6 Вмикач / вимикач лазерних променів при заблокованій лазерній голівці
- 7 Вмикач / вимикач / перемикач вертикального лазерного променю
- 8 Пузирковий рівень
- 9 Фіксатор положення лазерної головки
- 10 Регульована ніжка
- 11 Поворотний гвинт
- 12 Горизонтальне вікно випромінювача
- 13 Блок живлення *
- 14 Ремінь для переноски *
- 15 Окуляри *
- 16 Кейс *
- 17 Заглушка
- 18 Індикатор

* Приналежності

Перераховані, а також зображені належності, частково не входять у комплект постачання.

Монтаж / регулювання



Не затягуйте дуже сильно кріпильні елементи, щоб не пошкодити їх різьблення.



Монтаж / демонтаж / налаштування деяких елементів подібне для всіх моделей пристроїв, в цьому випадку на пояснювальному малюнку конкретна модель не зазначається.

Регульовані ніжки (див. мал. 1)

Якщо при увімкненні пристрою Ви чуєте звуковий сигнал, а лазерні промені блимають, це означає, що відхилення пристрою від горизонтальної площини більше ніж $\pm 3^\circ$. Відрегулюйте положення пристрою за допомогою ніжок **10** відповідно до показників пузиркового рівня **8**, як зображено на малюнку 1.

Зарядка акумулятора

Введення в експлуатацію

Пристрій постачається з частково зарядженим акумулятором. Перед першим використанням обов'язково виконайте його повну зарядку.

Процес зарядки (див. мал. 2)

- Підключити блок живлення **13** до мережі (індикатор **18** світиться зеленим кольором, стан готовності до зарядки).
- Вставте штекер блока живлення **13** в роз'єм **3** (див. мал. 2). Під час зарядки індикатор **18** світиться червоним кольором, після закінчення зарядки індикатор **18** починає світитись зеленим кольором.
- Після закінчення зарядки вилучіть штекер блока живлення **13** із роз'єму **3**, та відключіть блок живлення **13** від мережі.

Українська



У процесі зарядки акумулятор пристрою і блок живлення 13 нагріваються - це нормально.



Під час зарядки акумулятора Ви можете користуватись пристроєм - це не завдасть негативного впливу на акумулятор.

Вмикання / вимикання

З увімкненою функцією самовирівнювання.

Уключити:

Встановіть фіксатор 9 в положення, яке зображено на малюнку 3.1. Це розблокує підвісний механізм лазерної головки, увімкне живлення лазера і підсвічування пузиркового рівня 8. Якщо пристрій встановлено з нахилом більше $\pm 3^\circ$, то подаватиметься звуковий сигнал. Натискаючи кнопки 5 і 7, Ви можете вмикати або вимикати лазерні промені.

Виключити:

Встановіть фіксатор 9 в положення, яке зображено на малюнку 3.2. Це заблокує підвісний механізм лазерної головки, увімкне живлення лазера і підсвічування пузиркового рівня 8.

З вимкненою функцією самовирівнювання

Уключити:

Встановіть фіксатор 9 в положення, яке зображено на малюнку 3.2, потім натисніть і відпустіть кнопку 6. Увімкнеться живлення лазера, але підвісний механізм лазерної головки буде заблокований. Під час нахилу пристрою звуковий сигнал не буде подаватись. Натискаючи кнопки 5 і 7, Ви можете вмикати або вимикати лазерні промені.

Виключити:

Натисніть і відпустіть кнопку 6.

Конструктивні особливості

Система самовирівнювання лазерної головки

Система самовирівнювання лазерної головки дозволяє виконувати заміри під час встановлення пристрою на нерівній або похилій поверхні (нахил не більше $\pm 3^\circ$).

При перевищенні гранично допустимого нахилу лазерні промені блимають і пристрій видає звуковий сигнал. У цьому випадку необхідно або перевстановити пристрій на більш рівне місце, або вирівняти положення пристрою за допомогою регульованих ніжок 10. Використовуйте пузирковий рівень 8, для полегшення встановлення пристрою.



Увага: при переміщенні пристрою під час роботи, при зберіганні та транспортуванні завжди блокуйте положення лазерної головки (встановлюйте фіксатор 9 в положення, яке зображено на мал. 3.2).

Регульовані ніжки (див. мал. 1.1)

Регульовані ніжки 10 дозволяють вирівняти положення пристрою при його встановлюванні на нерівній або похилій поверхні (див. мал. 1.1).

Пузирковий рівень

Пузирковий рівень 8 зображує положення пристрою в горизонтальній площині. Пристрій встановлено правильно, якщо пухирець повітря знаходиться посередині пузиркового рівня 8 (див. мал. 1.2).

Поворотний гвинт (див. мал. 4)

Поворотні гвинти 11 дозволяють здійснювати точний поворот корпусу пристрою на малі кути (див. мал. 4).

Рекомендації при роботі

Перевірка точності пристрою



Якщо при перевірці точності, похибка перевищує максимально дозволене відхилення, зверніться до сервісного центру CROWN.

Фактори, які впливають на точність:

- Температура зовнішнього середовища. Наприклад, температурні перепади, які відбуваються в міру віддалення від ґрунту. Перепад температур найбільш відчутний поблизу ґрунту, тому під час вимірювання на ділянках довжиною більше 20 м рекомендується встановлювати пристрій на штатив.
- Забруднення вікна лазерного випромінювача. Перед роботою необхідно перевіряти чистоту захисного скла випромінювачів і, якщо необхідно, очищувати їх.
- Вимірювання, які проводяться крізь прозорі поверхні (вікна, акваріуми тощо). Не рекомендується виконувати вимірювання подібним чином.
- Вимірювання на відображаючих поверхнях (дзеркала, полірований метал тощо). Не рекомендується виконувати вимірювання подібним чином.
- Наявність у повітрі пару, пилу, диму тощо. Не рекомендується виконувати вимірювання в подібних умовах.
- Падіння пристрою або сильний удар по ньому. Після подібних випадків рекомендується виконати перевірку точності пристрою. При перевищенні максимально дозволених відхилень зверніться до сервісного центру CROWN.

Перевірка точності горизонтального променя (нахил площини) (див. мал. 3, 5)

- Встановіть пристрій на рівну горизонтальну поверхню, між двох стін (на малюнку позначені "А" і "В"), які знаходяться на відстані 7 м один від одного.
- Увімкніть пристрій, як описано вище (з увімкненою функцією самовирівнювання лазерної головки, див. мал. 3.1). Увімкніть горизонтальний і вертикальний лазерні промені.
- На стіні "А", позначте точку перетину лазерних променів (точка "а1" на малюнку 5.1).
- Поверніть корпус пристрою і на стіні "В", позначте точку перетину лазерних променів (точка "b1" на малюнку 5.2).
- Встановіть пристрій на відстані 0,5-0,7 м від стіни і нанесіть такі ж позначки (точки "а2" і "b2" на малюнках 5.3 і 5.4).

Українська

30

• Якщо різниці [a1-a2] і [b1-b2] не відрізняються одна від одної більше ніж на величину похибки, зазначену в технічних даних (1 мм), то точність пристрою знаходиться у дозволених межах.

Приклад: при проведенні перевірки точності різниці [a1-a2]=6 мм і [b1-b2]=5 мм. Таким чином, похибка пристрою: [a1-a2]-[b1-b2] = 6-5 = 1 мм.

Перевірка точності горизонтального променя (вигин площини) (див. мал. 3, 6)

- Встановіть пристрій на рівну горизонтальну поверхню на відстані приблизно 7 м від стіни.
- Увімкніть пристрій, як описано вище (з увімкненою функцією самовирівнювання лазерної головки, див. мал. 3.1). Увімкніть горизонтальний і вертикальний лазерні промені.
- Позначте на стіні точку перетину лазерних променів (точка "с1" на малюнку 6.1).
- Поверніть корпус пристрою праворуч (точка "с2"), приблизно на 2,5 м, переконайтесь, що горизонтальна лінія лазера або співпадає з точкою "с1", або відстань ("x1") від неї не перевищує половини величини похибки (0,5 мм), яка зазначена в технічних даних (див. мал. 6.2).
- Повторіть ці ж самі дії, повертаючи корпус пристрою ліворуч (точка "с3" і відстань "x2") (див. мал. 6.3).

Перевірка точності вертикального променя (див. мал. 3, 7)

- Встановіть пристрій на рівну горизонтальну поверхню, на відстані приблизно 7 м від стіни.
- На стіні закріпіть схил зі шнуром довжиною приблизно 2,5 м.
- Увімкніть пристрій, як описано вище (з увімкненою функцією самовирівнювання лазерної головки, див. мал. 3.1). Увімкніть вертикальний лазерний промінь і направте його на шнур схилу (див. мал. 7).
- Лазерний промінь повинен рівномірно освітлювати шнур схилу по всій довжині, якщо це не так, то відхилення ("x3") не повинно перевищувати величину похибки (1 мм), яка зазначена в технічних даних.

Перевірка точності точки схилу (див. мал. 3, 8)

- Встановіть пристрій на висоті 1,5 м від підлоги.
- Увімкніть пристрій, як описано вище (з увімкненою функцією самовирівнювання лазерної головки, див. мал. 3.1). Увімкніть горизонтальний і вертикальний лазерні промені, позначте положення точки схилу (див. мал. 8.1).
- Повертайте корпус пристрою на 90°, 180°, 270°, 360°, і позначайте положення точки схилу в кожному з цих положень (див. мал. 8.2). Ці позначки повинні або співпадати, або лежати в межах окружності не більше 1 мм в діаметрі (див. мал. 8.3).

Перевірка точності перетину верхніх ліній (див. мал. 3, 9)

[СТ44023, СТ44024]

- Встановіть пристрій на рівну поверхню, на відстані 2,5 м від стелі.
- Увімкніть пристрій, як описано вище (з увімкненою функцією самовирівнювання лазерної головки,

див. мал. 3.1). Увімкніть всі вертикальні лазерні промені, позначте на стелі точку їх перетину (див. мал. 9.1).

- Повертайте корпус пристрою на 90°, 180°, 270°, 360°, і позначайте положення точки перетину вертикальних лазерних променів у кожному з цих положень (див. мал. 9.2). Ці позначки повинні або співпадати, або лежати в межах окружності не більше 0,5 мм в діаметрі (див. мал. 9.3).

Перевірка перпендикулярності вертикальних лазерних променів (див. мал. 10)

[СТ44023, СТ44024]

- Встановіть пристрій на рівну горизонтальну поверхню, на відстані приблизно 2,5 м від стін (див. мал. 10, на малюнку 10 зображено схематичний вигляд зверху).
- Увімкніть пристрій, як описано вище (з увімкненою функцією самовирівнювання лазерної головки, див. мал. 3.1). Увімкніть два перпендикулярних вертикальних лазерних променів ("L1" і "L2") і позначте їх положення на стінах (лінії "d1" і "d2") (див. мал. 10.1).
- Поверніть корпус пристрою на 90° від вихідного положення, поєднайте лазерний промінь "L1" з лінією "d3", а положення променя "L2" позначте лінією "d3" (див. мал. 10.2).
- Поверніть корпус пристрою на 180° від вихідного положення, поєднайте лазерний промінь "L1" з лінією "d3", а положення променя "L2" позначте лінією "d4" (див. мал. 10.3).
- Поверніть корпус пристрою на 270° від вихідного положення, поєднайте лазерний промінь "L1" з лінією "d3", а положення променя "L2" позначте лінією "d5" (див. мал. 10.4).
- Виміряйте відстань ("x4") між лініями "d1" і "d5" - вона не повинна перевищувати половину величини похибки (1мм), яка зазначена в технічних даних.

Загальні рекомендації (див. мал. 11)

- Перед початком роботи переконайтесь, що вимірювання будуть проводитись у відповідних умовах (див. "Фактори, які впливають на точність").
- Правильно встановіть пристрій, орієнтуючись на показники пузиркового рівня 8. За необхідності відрегулюйте положення пристрою за допомогою регульованих ніжок 10. Незначні відхилення від горизонтального положення можуть бути компенсовані системою самовирівнювання лазерної головки (не більше ніж $\pm 3^\circ$).
- Для покращення видимості лазерного променя надягніть окуляри 15. **Увага: окуляри 15 не є захисними - категорично забороняється дивитись крізь них на промінь лазера, це може стати причиною пошкодження сітківки ока.**
- Увімкніть пристрій, як описано вище. Якщо під час увімкнення пристрою з увімкненою функцією самовирівнювання лазерної головки Ви чуєте звуковий сигнал, а лазерні промені блимають, то необхідно перевстановити пристрій, в протилежному випадку вимірювання будуть не точними.
- При вимкненій функції самовирівнювання лазерної головки Ви можете виконувати розмітку похилих ліній (див. мал. 11). **Увага! У цьому режимі роботи не позначайте горизонтальні і вертикальні лінії, - їх положення невірне.**

Українська

31

- Ви можете повертати корпус пристрою руками (швидко), або за допомогою поворотних гвинтів **11** (повільно, але точно).
- Після закінчення роботи вимкніть пристрій, як описано вище (фіксатор **9** повинен знаходитись в положенні, яке зображено на малюнку 3.2, а лазерні промені повинні бути вимкнені).
- Тривале зберігання і транспортування пристрою рекомендується проводити в кейсі **16**. Переконайтесь, що на елементах пристрою немає крапель води (за необхідності витріть їх м'якою ганчіркою), після чого приберіть пристрій в кейс **16**.

Обслуговування / профілактика

Чищення пристрою

- Тримайте пристрій в чистоті. Не використовуйте їдкі речовини або розчинники для його очищення.
- Очищення забруднень скла випромінювачів виконуйте за допомогою м'якої тканини. Не використовуйте для цієї мети гострі предмети, або їдкі речовини.

Післяпродажне обслуговування

Відповіді на питання щодо ремонту та обслуговування вашого продукту Ви можете отрима-

ти в сервісних центрах. Інформацію про сервісні центри, схеми запчастин та інформацію по запчастинах Ви можете знайти за адресою: www.crown-tools.com.

Транспортування

- Не допускайте падіння упаковки, а також будь-якого механічного впливу на неї транспортуванні.
- При завантаженні / розвантаженні не використовуйте навантажувальну техніку що працює за принципом затиску упаковки.

Захист навколишнього середовища



Переробка сировини замість утилізації відходів.

Пристрій, додаткове приладдя і упаковку слід екологічно чисто утилізувати.

В інтересах чистосортної рециркуляції відходів деталі із синтетичних матеріалів відповідно позначені. Дійсний посібник з експлуатації надрукований на папері, виготовленій з вторсировини без застосування хлору.

Обновляється можливість внесення змін.

Українська

32

Техникалық деректер

Сызықтық лазер	СТ44022	СТ44023	СТ44024
Құрылғы коды	421555	421552	421579
Бағытталған сәулелер	1V 1H 1D	2V 1H 1D	4V 1H 1D
Жұмыс ауқымы	[м] 30	30	30
Туралау дәлдігі:			
- көлденең сәуле	7 м-де ±1 мм	7 м-де ±1 мм	7 м-де ±1 мм
- тік сәуле	7 м-де ±1 мм	7 м-де ±1 мм	7 м-де ±1 мм
- қажалу нүктесі	1,5 м-де ±1 мм	1,5 м-де ±1 мм	1,5 м-де ±1 мм
- жоғарғы сызықтар	5 м-де ±1 мм	5 м-де ±1 мм	5 м-де ±1 мм
- сәуле перпендикулярлығы	5 м-де ±2 мм	5 м-де ±2 мм	5 м-де ±2 мм
Өздігінен туралау уақыты	[с] ≤5	≤5	≤5
Өздігінен туралау ауқымы	±3°	±3°	±3°
Лазер класы	II	II	II
Лазер түрі	[нм] 525	525	525
Батарея түрі	3,7V; Li-Ion	3,7V; Li-Ion	3,7V; Li-Ion
Батареяны зарядтау уақыты	[мин] 180-240	180-240	180-240
Үштаған бұрандасы	5/8"	5/8"	5/8"
Жұмыс температурасының ауқымы	[°C] -10 ... +40	-10 ... +40	-10 ... +40
Сақтау температурасының ауқымы	[°C] -20 ... +55	-20 ... +55	-20 ... +55
Салмағы	[кг] 1,03 [фунт] 2.27	1,04 2.29	1,04 2.29
* V - тік жазықтық, H - көлденең бұранда, D - қажалу нүктесі			

CE Сәйкестік декларациясы

Біз "Техникалық деректер" бөлімінде сипатталған өнімнің 2006/42/ЕС директивасындағы барлық тиісті ережелеріне сәйкес түзетулері қосып алғанда және IEC 60825-1:2014 стандарттарына сай келетінін жеке жауапкершілігімізбен мәлімдейміз.

Сертификаттау менеджері

Wu Cunzhen

Wu Cunzhen

Merit Link International AG
Stabio, Швейцария, 08.02.2019

Жалпы қауіпсіздік ережелері



ЕСКЕРТУ - Жарақат қаупін азайту үшін пайдаланушы пайдалану нұсқаулығын оқып шығуы керек!



НАЗАР АУДАРЫҢЫЗ! Құрылғыны алғаш қолданар алдында осы нұсқаулықты мұқият оқып шығып, оның барлық ұсыныстары мен ережелерін орындаңыз.

Нұсқаулықты болашақ анықта-малық ретінде немесе келесі иеленуші үшін сақтаңыз.

Қазақ тілі
33

• Пайдаланбас бұрын құрылғы корпусының тұтастығын тексеріңіз; кез келген зақымдалу анықталған жағдайда құрылғыны пайдалануға болмайды.



Лазер сәулесін адамдар немесе жануарларға бағыттамаңыз және сәулеге тікелей немесе оның шағылысына қарамаңыз. Лазер сәулесі адамдардың көру қабілетін бұзып, апаттық жағдайды тудыруы немесе көзді бүлдіруі мүмкін. Лазер сәулесіне оптикалық құралдар (бинокль, телескоп, т.б.) арқылы қарауға тыйым салынған, бұл көз торының зақымдалуын тудыруы мүмкін. **Назар аударыңыз: құралмен бірге жеткізілетін көзілдірік қорғағыш көзілдірік емес, ал лазер сәулесінің көріну мүмкіндігін арттыруға арналған. Лазер сәулесіне осы көзілдірік арқылы қарамаңыз, бұл жаратқа себеп болуы мүмкін.**

- Құрылғыны жарылғыш газдар, шаң немесе булар бар орталарда қолданбаңыз.
- Жұмыс барысында қате өлшеу нәтижелеріне себеп болатын факторларға назар аударыңыз:
 - лазер сәулелендіргіш терезесінің ластануы;
 - мөлдір нысандар (терезелер, аквариумдар және т.б.) арқылы өлшеу;
 - шағылысатын беттерде (айналар, жылтырақ металл беттері және т.б.) өлшеу;
 - ауада будың, шаңның, түтіннің және т.б. болуы.
- Құрылғыны ылғал әсерінен қорғаңыз және ішіне судың кіруін болдырмаңыз. Құрылғыны сұйықтыққа салмаңыз.
- Құрылғыны құлатпаңыз немесе соқпаңыз.
- Құрылғыны электромагниттік өрістерден (мысалы, электрлік имектеп дәнекерлеуен немесе индукциялық жылытқыштардан) сақтаңыз.
- Қоршаған ортаның температурасы кенет өзгерген жағдайда, құрылғыны кемінде 30 минут бойы пайдаланбаңыз.
- Құрылғыны жоғары температурадағы заттардың жанында қалдырмаңыз.

Батарея құралын пайдалану және күту

- **Тек өндіруші көрсеткен зарядтағышпен зарядтаңыз.** Батарея жинағының бір түріне арналған зарядтағыш басқа батарея жинағымен бірге пайдаланғанда, қауіп төндіруі мүмкін.
- **Құралды тек сәйкес батареямен пайдаланыңыз.** Басқа батарея түрлерін пайдалану жарақатқа немесе өртке себеп болуы мүмкін.
- **Сыртқы зақымдалған жағдайларда батареядан сұйықтық шығуы мүмкін. Оған тиімеңіз. Егер оған кездейсоқ тисеңіз, сумен шайыңыз. Егер сұйықтық көздерге тисе, оған қоса медициналық көмекке жүгініңіз. Батареядан шыққан сұйықтық тітіркенуді немесе күйіктерді тудыруы мүмкін.**
- **Батареяны ашпаңыз.** Қысқа тұйықталу қаупі бар.
- **Батарея зақымдалса және дұрыс емес пайдаланылса, булар шығуы мүмкін. Ыңғайсыздық сезген жағдайларда таза ауаны қамтамасыз етіңіз және медициналық көмекке жүгініңіз.** Булар тыныс алу жүйесін тітіркендіруі мүмкін.
- **Батарея ақаулы болса, сұйықтық шығуы және маңайдағы құрамдастарға тиюі мүмкін.** Қатысты кез келген бөліктерді тексеріңіз. Мұндай бөліктерді қажетінше тазаланыңыз немесе ауыстырыңыз.
- **Батареяны жылудан, мысалы, үздіксіз күн сәулесінен және өрттен де қорғаңыз.** Жарылыс қаупі бар.

• **Зарядтағышты жаңбыр мен ылғалдан қорғаңыз.** Зарядтағышқа судың кіруі тоқ соғу қаупін арттырады.

• **Басқа батареяларды зарядтауға болмайды.** Зарядтағыш тек тізімдегі кернеу ауқымы бар литий - ионды батареяларды зарядтауға арналған. Өйтпесе өрт және жарылыс қаупі бар.

• **Зарядтағышты таза күйде ұстаңыз.** Ластану тоқ соғу қаупін тудыруы мүмкін.

• **Пайдалану алдында зарядтағышты, кабельді және ашаны тексеріңіз. Ақаулар анықталғанда зарядтағышты пайдалануға болмайды. Зарядтағышты өзіңіз ашпаңыз және оны тек түпнұсқалық қосалқы бөлшектерді пайдаланатын білікті мамандарға жөндетіңіз.** Зақымдалған заряд-тағыштар, кабельдер және ашалар тоқ соғу қаупін арттырады.

• **Зарядтағышты оңай тұтанатын бет-терде (мысалы: қағаз, тоқыма мата, т.б.) немесе жанғыш орталарда пайдалануға болмайды.** Зарядтау кезінде зарядтағыштың қызуына байланысты өрт қаупі бар.

Құрылғыға техникалық қызмет көрсету



Құрылғыға техникалық қызмет көрсетуді білікті қызметкерлер тек ұсынылған қосалқы бөлшектерді қолданып орындауы керек. Бұл құрылғының қауіпсіздігін сақтауға кепілдік береді.

Нұсқауда қолданылған таңбалары

Пайдалану нұсқаулығында төменде берілген таңбалар пайдаланылады, олардың мағыналарын есіңізде сақтаңыз. Таңбаларды дұрыс түсіндіру құрылғыны дұрыс әрі қауіпсіз пайдалануға мүмкіндік береді.

Таңба	Мағына
	Сериялық нөмір бар жапсырма: СТ ... - үлгі; XX - өндіру күні; XXXXXXXX - сериялық нөмір.
	Қауіпсіздік техникасы туралы барлық нұсқаулармен және нұсқаулармен танысыңыз.
	Назар аударыңыз! Лазер сәулесі.
	Қозғалыс бағыты.
	Айналу бағыты.

Қазақ тілі

Таңба	Мағына
	Акустикалық сигнал.
	Батареяны зарядтау уақыты.
	Бұғатталған.
	Бұғаттаудан шығарылған.
	Бұйым ЕО директиваларының негізгі талаптарына және Еуропалық Одақтың үйлестірілген стандарттарына сай екенін куәландыратын белгі.
	Назар аударыңыз. Маңызды ақпарат.
	Пайдалы ақпарат.
	Құрылғыны тұрмыстық қоқыс контейнеріне тастамаңыз.

Мақсатқа арналуы

Сызықты лазер көлденең, тік және еңіс сызықтарды сызуға және / немесе басқаруға арналған.

Құрамдастары

- 1 Бау
- 2 Батарея бөлімінің қақпағы
- 3 Электр құралы коннекторына арналған ұяшық
- 4 Тік сәулелендіргіш терезесі
- 5 Көлденең лазер сәулесін қосу / өшіру түймесі
- 6 Лазер басы құлыпталған лазер сәулесін қосу / өшіру түймесі
- 7 Тік лазер сәулесін қосу / өшіру түймесі
- 8 Көпіршікті деңгейі
- 9 Лазер басы күйінің құлпы
- 10 Реттелмелі аяқ
- 11 Қысқа бұранда
- 12 Көлденең сәулелендіргіш терезе
- 13 Қуат блогы *
- 14 Ұстап белдігі *
- 15 Лазер көру көзілдірігі *
- 16 Қорабы *
- 17 Бітеуіш
- 18 Индикатор

* Қосымша құрамдастар

Кейбір суреттелген немесе сипатталған құрамдастар стандарттық жабдықтау ретінде қосылмаған.

Орнату / реттеу



Бекіткіш бөлшектер бұрандаларын бұзып алмау үшін тым қатты тартпаңыз.



Кейбір элементтерді орнату / ажырату / реттеу барлық құрал модельдері үшін ұқсас болады. Бұл жағдайда түсіндірме сызбада белгілі бір құрал моделі көрсетілмеген.

Реттелмелі аяқтар (1 сур. қараңыз)

Құрал іске қосылғанда акустикалық сигнал және лазер сәулесінің жыпылықтауы жағдайында, құралдың көлденең ауытқуы $\pm 3^\circ$ бұрыштан артық болады.

1 суретте көрсетілгендей көпіршікті деңгей көрсеткішіне 8 қарап құралдың орнын аяқтары 10 арқылы реттеңіз.

Батареяны зарядтау

Бастапқы жұмысы

Құрал батареясы жартылай зарядталып жеткізіледі. Құралды алғаш рет пайдаланудан бұрын, батареяны толық зарядтаңыз.

Зарядтау (2 сур. қараңыз)

- Электр құралын 13 қуат желісіне жалғаңыз (индикатор 18 жасыл түсте жанады, зарядтауға дайын).
- Электр құралының 13 тығынын ұяшыққа 3 жалғаңыз (2 сур. қараңыз). Зарядтау кезінде индикатор 18 қызыл түсте жанады. Зарядтау аяқталғанда, индикатор 18 жасыл түсте жанады.
- Зарядтау аяқталғанда, электр құралының 13 тығынын ұяшықтан 3 суырып, электр құралын 13 қуат желісінен ажыратыңыз.



Батареяны және электр құралын 13 зарядтау кезінде құрал қызуы мүмкін, бұл қалыпты жағдай.



Зарядтау барысында құралды пайдалануға болады. Бұл батареяға зақым келтірмейді.

Қосу / өшіру тетігі

Өздігінен теңестіру мүмкіндігі қосұлы болғанда

Қосу:

3.1 суретінде көрсетілгендей күйді құлыптаңыз 9. Бұл лазер басының аспа механизмін құлыптан

Қазақ тілі

35

босатып, лазер қуатын және көпіршікті деңгей жарығын 8 іске қосады. Құрал $\pm 3^\circ$ бұрыштан артық ауытқитын еңіс бетке орналастырылса, акустикалық сигнал естіледі. Қосу / өшіру түймелерін (5 және 7) лазер сәулелерін қосуға және өшіруге болады.

Өшіру:

3.2 суретінде көрсетілгендей күйді құлыптаңыз 9. Бұл лазер басының аспа механизмін құлыптап, лазер қуатын және көпіршікті деңгей жарығын 8 өшіреді.

Өздігінен теңестіру мүмкіндігі өшірулі болғанда

Қосу:

3.2 суретінде көрсетілгендей күйді құлыптап 9, қосу / өшіру түймелерін 6 басып-жіберіңіз. Сонда лазер қуаты қосылады, бірақ лазердің аспа механизмі құлыпталады. Құрал еңкейтілгенде, акустикалық сигналдар берілмейді. Қосу / өшіру түймелерін (5 және 7) лазер сәулелерін қосуға және өшіруге болады.

Өшіру:

Қосу / өшіру түймелерін 6 басып-жіберіңіз.

Дизайн мүмкіндіктері

Лазер басының өздігінен теңестіру жүйесі

Құрал еңіс немесе тегіс емес бетке ($\pm 3^\circ$ еңіс бұрышынан аспайтын) қойылса, лазер басының өздігінен теңестіру жүйесі лазерді өлшеу мүмкіндігін береді.

Максималды еңіс бұрыштан асып кетсе, лазер сәулелері жыпылықтай бастайды; құрал акустикалық сигнал шығарады. Бұл жағдайда құралды тегіс бетке қойыңыз немесе оның күйін реттелмелі аяқтар 10 арқылы реттеңіз. Құрал орналастыруды жеңілдету үшін, көпіршікті деңгейді 8 пайдаланыңыз.



Назар аударыңыз: пайдалану кезінде құрылғы жылжыса, сақтау және тасымалдау барысында лазер басын құлыптаңыз (құлыпты 3.2 суретінде көрсетілген күйге орнатыңыз).

Реттелмелі аяқтар (1.1 сур. қараңыз)

Құрал еңіс немесе тегіс емес бетке қойылса, реттелмелі аяқтар 10 оның орнын туралау мүмкіндігін береді (1.1 сур. қараңыз).

Көпіршікті деңгей

Көпіршікті деңгей 8 көлденең жазықтықтағы құралдың орнын көрсетеді. Ауа көпіршігі көпіршікті деңгейдің 8 ортасында болса, құрал дұрыс орналастырылады (1.2 сур. қараңыз).

Қыспа бұранда (4 сур. қараңыз)

Қыспа бұрандалар 11 құралды шағын бұрыштарға жоғары дәлдікпен бұру мүмкіндігін береді (4 сур. қараңыз).

Жұмыс бойынша кеңес

Дәлдігін тексеру



Дәлдікті тексеру кезінде өлшеу қателері максималды рұқсат етілген ауытқудан асатын болса, CROWN қызмет көрсету орталығына хабарласыңыз.

Құралдың дәлдігіне әсер ететін факторлар:

- Қоршаған орта температурасы, мысалы, жерден қашықтығына байланысты орын алатын температура айырмашылығы. Температураның өзгешелігі жер бетіне жақын болған сайын артады, сондықтан ұзындығы 20 м-ден асатын аймақтарда өлшеу үшін ұштағанды пайдалану ұсынылған.
- Лазер сәулелендіргіші терезесінің ластануы. Пайдаланудан бұрын қорғағыш терезелердің ластану деңгейін тексеріп, қажет болса, тазалап отырыңыз.
- Мөлдір беттер арқылы өлшеу (терезелер, аквариумдар және т.б.). Мұндай өлшеуді орындауға арналмаған.
- Шағылысатын беттерде өлшеу (айналар, жылтыраған беттер және т.б.). Мұндай өлшеуді орындауға арналмаған.
- Ауада бу, шаң, түтін және т.б. болуы. Мұндай өлшеуді орындауға арналмаған.
- Құралдың құлауы немесе оған қатты соққы тиюі. Мұндай жағдайда дәлдік тексерісін орындау ұсынылған. Максималды рұқсат етілген ауытқудан асып кетсе, CROWN қызмет көрсету орталығына хабарласыңыз.

Көлденең сәуле дәлдігін тексеру (бет еңістігі) (3, 5 сур. қараңыз)

- Құралды бір-бірінен 7 м қашықта орналасқан екі қабырға (суреттегі "А" және "В") арасындағы тегіс көлденең бетке орналастырыңыз.
- Құралды жоғарыда сипатталғандай іске қосыңыз (лазер басының өздігінен теңестіру мүмкіндігін іске қосу, 3.1 суретін қараңыз). Көлденең және тік лазер сәулелерін іске қосыңыз.
- "А" қабырғасында екі лазер сәулесінің қиылысу нүктесін белгілеңіз (5.1 суретіндегі "a1" нүктесі).
- Құрал корпусын бұрып, "В" қабырғасындағы екі лазер сәулесінің қиылысу нүктесін белгілеңіз (5.2 суретіндегі "b1" нүктесі).
- Құралды қабырғадан 0,5-0,7 м қашықтыққа орналастырып, айтылған нүктелерді белгілеңіз (5.3 және 5.4 суреттеріндегі "a2" және "b2" нүктелері).
- [a1-a2] және [b1-b2] айырмалары техникалық деректер парағында көрсетілген (1 мм), рұқсат етілген ауытқудан асатын мәнде өзгеше болмайтын болса, құрал дәлдігі рұқсат етілген шекте болады.

Мысал: дәлдігін тексеру кезінде айырмашылық [a1-a2]=6 мм және [b1-b2]=5 мм. Осылайша құралдың ауытқу мәні [a1-a2]-[b1-b2]=6-5=1 мм мәніне тең болады.

Көлденең сәуле дәлдігін тексеру (беттің бүгілуі) (3, 6 сур. қараңыз)

- Құралды қабырғадан шамамен 7 м қашықтықтағы тегіс көлденең бетке орналастырыңыз.

Қазақ тілі

36

- Құралды жоғарыда сипатталғандай іске қосыңыз (лазер басының өздігінен теңестіру мүмкіндігін қосу, 3.1 сур. қараңыз). Көлденең және тік лазер сәулелерін іске қосыңыз.
- "А" қабырғасындағы екі лазер сәулесінің қиылысу нүктесін белгілеңіз (6.1 суретіндегі "с1" нүктесі).
- Құрал корпусын оңға қарай ("с2" нүктесі) шамамен 2,5 м-ге бұрып, көлденең сызық "с1" нүктесіне сәйкес келетінін немесе осы нүктеден ("х1") қашықтығы техникалық деректер парағында көрсетілген рұқсат етілген ауытқу мәнінің (0,5 мм) жарты мөлшерінен аспайтынына көз жеткізіңіз (6.2 сур. қараңыз).
- Құрал корпусын солға бұрып, бірдей әрекеттерді орындаңыз ("с3" нүктесі және "х2" қашықтығы) (6.3 сур. қараңыз).

Тік сәуленің дәлдігін тексеру (3, 7 сур. қараңыз)

- Құралды қабырғадан шамамен 7 м қашықтықтағы тегіс көлденең бетке орналастырыңыз.
- Шамамен 2,5 м ұзындықтағы тіркеме сызықты қабырғаға бекітіңіз.
- Құралды жоғарыда көрсетілгендей іске қосыңыз (лазер басының өздігінен теңестіру мүмкіндігін қосу, 3.1 сур. қараңыз). Тік лазер сәулесін іске қосып, оны тіркеме сызыққа бағыттаңыз (7 сур. қараңыз).
- Лазер сәулесі тіркеме сызықты толық ұзындықта бірегей жарықтандырады. Ондай болмаса, ығысу ("х3") техникалық деректер парағында көрсетілген ауытқу мәнінен (1 мм) аспауы керек.

Қажалу нүктесінің дәлдігін анықтау (3, 8 сур. қараңыз)

- Құралды еденнен 1,5 м биіктікке орнатыңыз.
- Құралды жоғарыда сипатталғандай іске қосыңыз (лазер басының өздігінен теңестіру мүмкіндігін қосу, 3.1 сур. қараңыз). Көлденең және тік лазер сәулелерін іске қосып, қажалу нүктесінің орнын белгілеңіз (8.1 сур. қараңыз).
- Құрал корпусын 90°, 180°, 270°, 360° бұрышқа бұрып, көрсетілген орындардың әрбірінде қажалу нүктесін белгілеңіз (8.2 сур. қараңыз). Бұл белгілер диаметрі 1 мм-ден аспайтын шеңберге сәйкес келуі немесе ішінде жатуы керек (8.3 сур. қараңыз).

Жоғарғы сызықтар қиылысының дәлдігін тексеру (3, 9 сур. қараңыз)

[СТ44023, СТ44024]

- Құралды төбеден 2,5 м қашықтықта орналасқан тегіс бетке орналастырыңыз.
- Құралды жоғарыда сипатталғандай іске қосыңыз (лазер басының өздігінен теңестіру мүмкіндігін қосу, 3.1 сур. қараңыз). Барлық тік лазер сәулелерін іске қосып, төбедегі қиылысу нүктесін белгілеңіз (9.1 сур. қараңыз).
- Құрал корпусын 90°, 180°, 270°, 360° бұрышқа бұрып, көрсетілген орындардың әрбірінде қиылысу нүктесін белгілеңіз (9.2 сур. қараңыз). Бұл белгілер диаметрі 0,5 мм-ден аспайтын шеңберге сәйкес келуі немесе ішінде жатуы керек (9.3 сур. қараңыз).

Тік лазер сәулелерінің перпендикулярлығын тексеру (10 сур. қараңыз)

[СТ44023, СТ44024]

- Құралды қабырғалардан шамамен 2,5 м қашықтықта орналасқан тегіс бетке орналастырыңыз (10 сур. қараңыз, үстіңгі схематикалық көріністі көрсетеді).
- Құралды жоғарыда сипатталғандай іске қосыңыз (лазер басының өздігінен теңестіру мүмкіндігін қосу, 3.1 сур. қараңыз). Екі перпендикуляр тік лазер сәулесін ("L1" және "L2") іске қосып, олардың қабырғалардағы орнын белгілеңіз ("d1" және "d2" сызықтары) (10.1 сур. қараңыз).
- Құралды бастапқы күйінен 90° бұрышқа бұрып, "L1" лазер сәулесін "d2" сызығымен туралаңыз және "L2" сәулесінің орнын "d3" сызығымен белгілеңіз (10.2 сур. қараңыз).
- Құралды бастапқы күйінен 180° бұрышқа бұрып, "L1" лазер сәулесін "d3" сызығымен туралаңыз және "L2" сәулесінің орнын "d4" сызығымен белгілеңіз (10.3 сур. қараңыз).
- Құралды бастапқы күйінен 270° бұрышқа бұрып, "L1" лазер сәулесін "d3" сызығымен туралаңыз және "L2" сәулесінің орнын "d5" сызығымен белгілеңіз (10.4 сур. қараңыз).
- "d1" және "d5" сызықтары арасындағы қашықтықты ("x4") өлшеңіз, ол техникалық деректер парағында көрсетілген ауытқу мәнінің (1 мм) жарты мөлшерінен аспауы керек.

Жалпы ұсыныстар (11 сур. қараңыз)

- Жұмысты бастаудан бұрын, барлық өлшеулер сәйкес шарттар негізінде орындалатынына көз жеткізіңіз ("Құрал дәлдігіне әсер ететін факторлар" бөлімін қараңыз).
- Құралды көпіршікті деңгей 8 көрсеткіштеріне қарап орналастырыңыз. Қажет болса, құралдың орналасуын реттелмелі аяқтар 10 арқылы реттеңіз. Шамалы көлденең ауытқу (ең көбі ±3°) лазер басының өздігінен туралау жүйесі арқылы түзетілуі мүмкін.
- Лазер сәулесінің көріну мүмкіндігін арттыру үшін, көзілдірік 15 киіңіз. **Назар аударыңыз: көзілдірік 15 қорғағыш қызметін атқармайды. Бұл көзілдірік арқылы лазер сәулесіне қарауға қатаң тыйым салынады, бұл көз торына зақым келтіруі мүмкін.**
- Құралды жоғарыда сипатталғандай іске қосыңыз. Лазер басының өздігінен туралау мүмкіндігі қосылған құралды іске қосқанда, акустикалық сигнал естіліп, лазер сәулелері жыпылықтаса, құралдың орнын өзгерту керек, әйтпесе өлшеу нәтижелері қате болады.
- Лазер басының өздігінен теңестіру мүмкіндігі өшірулі болғанда, еңіс сызықтарды белгілеңіз (11 сур. қараңыз). **Назар аударыңыз! Бұл режимде көлденең және тік сәулелерді белгілеменіз, олардың орындары дұрыс емес.**
- Қыспа бұрандалардың 11 көмегімен (баяу, бірақ дәл) құрал корпусын қолмен (жылдам) бұруға болады.
- Жұмысты аяқтағаннан кейін, құралды жоғарыда сипатталғандай өшіріңіз (құлып 3.2 суретінде көрсетілгендей күйде болады және лазер сәулелері өшірулі болуы керек).
- Құралды ұзақ уақытқа сақтау және тасымалдау кезінде қорабына 16 салып қою ұсынылған. Құрал бөлшектерінде су тамшылары бар-жоғын тексеріңіз.

Қазақ тілі

37

(қажет болса, құрғақ шүберекпен сүртіңіз), содан кейін құралды қорабына **16** салыңыз.

Жөндеу / алдын алу шаралары

Құрылғыны тазалау

- Құралды таза ұстаңыз. Каустикалық заттарды немесе еріткіштерді пайдаланбаңыз.
- Сәулелендіргіш терезелерін жұмсақ шүберекпен тазалау керек. Тазалау үшін өткір нысандарды немесе тоттандыратын жуу құралдарын пайдаланбаңыз.

Сатудан кейінгі қызмет және өтінім бойынша қызмет

Біздің сатудан кейінгі қызмет өнімге техникалық қызмет көрсетуге және оны жөндеуге, сонымен бірге, қосалқы бөлшектерге қатысты сұрақтарыңызға жауап береді. Сондай-ақ, сервистік орталықтар туралы ақпаратты, бөліктердің диаграммаларын және қосалқы бөлшектер туралы ақпаратты мына бетте табуға болады: www.crown-tools.com.

Тасымалдау

- Тасымалдау кезінде қаптамаға ешбір механикалық әсерді тигізуге болмайды.
- Жүкті түсіргенде / жүктегенде қысып орау қағидатымен жұмыс істейтін ешбір технология түрін пайдалануға рұқсат етілмеген.

Қоршаған ортаны сақтау



Шикізатты қоқыс ретінде пайдаға асырудың орнына қайта қолдануға жіберіңіз.

Құрылғыны, керекжарақтарды және орамаларды қоршаған ортаға зиян келтірмейтін жолмен қайта өңдеу үшін сұрыптау керек. Пластикалық компоненттер сыныпталған қайта қолдану үшін белгіленген. Бұл нұсқаулар қайта қолданылатын хлорин қосылмаған қағазда басып шығарылған.

Өндіруші өзгерістер енгізуі мүмкін.

Қазақ тілі

38

- حرّك جسم الجهاز إلى 90 درجة، و180 درجة، و270 درجة، و360 درجة، ثم حدّد موضع نقطة الشاقول في كل موضع من المواضع المدرجة (انظر الشكل 8.2). يجب أن تتطابق هذه العلامات أو تقع ضمن دائرة لا يتجاوز قطرها 1 مم (انظر الشكل 8.3).

اختبار دقة تقاطع الخطوط العليا (انظر الشكل 3، 9)

[CT44024, CT44023]

- ضع الجهاز على سطح يبعد عن السقف مسافة 2,5 متر.
- قم بتشغيل الجهاز كما هو موضّح أعلاه (تشغيل التسوية الذاتية لرأس الليزر، انظر الشكل 3.1). شغّل جميع أشعة الليزر الرأسية ثم حدّد نقطة التقاطع الموجودة على السقف (انظر الشكل 9.1).
- حرّك جسم الجهاز إلى 90 درجة، و180 درجة، و270 درجة، و360 درجة، ثم حدّد نقطة التقاطع في كل موضع من المواضع المدرجة (انظر الشكل 9.2). يجب أن تتطابق هذه العلامات أو تقع ضمن دائرة لا يتجاوز قطرها 0,5 مم (انظر الشكل 9.3).

اختبار تعامدي لأشعة الليزر الرأسية (انظر الشكل 10)

[CT44024, CT44023]

صيانة / التدابير الوقائية

تنظيف الجهاز

- يجب تنظيف النوافذ الباعثة بقطعة قماش ناعمة. لا تستخدم أدوات حادة أو عوامل مسببة للتآكل لهذا الغرض.
- حافظ على نظافة الجهاز. لا تستخدم المواد الكاوية أو المنقيات.

خدمة ما بعد البيع وخدمة التطبيق

تجيب خدمة ما بعد البيع لدينا على جميع تساؤلاتكم المتعلقة بصيانة المنتج الخاص بكم وإصلاحه، بالإضافة إلى قطع الغيار. كما يمكنكم أيضاً العثور على معلومات حول مراكز الخدمة وقطع الرسوم البيانية وقطع الغيار على: www.crown-tools.com

نقل الأدوات الكهربائية

- يجب ألا يسقط أي شيء ميكانيكي على العبوة أثناء النقل مطلقاً.
- لا يجوز استخدام أي نوع من أنواع التقنيات التي تعمل وفق مبدأ تثبيت العبوة عند التفريغ/التحميل.

حماية البيئة

احرص على إعادة تدوير المواد الخام بدلاً من التخلص منها ككفايات.



يجب فرز الأجهزة والملحقات ومواد التعبئة والتغليف لإعادة التدوير الملائم للبيئة. تم تصنيف مكونات البلاستيك كغثة من فئات إعادة التدوير. طُبعت هذه التعليمات على ورق مُعاد تدويره ومُصنّع بدون كلور.

تحتفظ الشركة المصنّعة بحقها في إمكانية إجراء تغييرات.

العربية

39

إمالة الجهاز. يمكنك تشغيل / إيقاف تشغيل أشعة الليزر بالضغظ على مفتاح التشغيل / إيقاف التشغيل 5 و 7.

إيقاف التشغيل:

اضغط على مفتاح التشغيل / إيقاف التشغيل 6 وحرره.

مميزات تصميم

نظام التسوية الذاتية لرأس الليزر

يُسهل نظام التسوية الذاتية لرأس الليزر عملية القياس عندما يكون الجهاز موضوعاً على سطح مائل أو غير مستو (زاوية مائلة لا يتجاوز قياسها ± 3 درجات).

إذا تجاوزت زاوية الميل الحد الأقصى المسموح به، فستبدأ أشعة الليزر في الوميض؛ وسيصدر الجهاز إشارة صوتية. وفي هذه الحالة، عليك وضع الجهاز على سطح مستو أو ضبط موضعه بالسيقان القابلة للضبط 10. استخدم ميزان التسوية 8 لتسهيل تحديد موضع الجهاز.



تنبيه: إذا تم تحريك الجهاز أثناء الاستخدام، فاقفل رأس الليزر أثناء التخزين والنقل (ضع القفل 9 في الموضع المحدد في الشكل 3.2).

سيقان قابلة للضبط (انظر الشكل 1.1)

تُساعد السيقان القابلة للضبط 10 على محاذاة موضع الجهاز، إذا كان الجهاز موضوعاً على سطح مائل أو غير مستو (انظر الشكل 1.1).

ميزان التسوية

يوضح ميزان التسوية 8 موضع الجهاز في المستوى الأفقي. إذا كانت فقاعة الهواء في منتصف ميزان التسوية 8، فإن موضع الجهاز يكون صحيحاً (انظر الشكل 1.2).

يرغى تثبيت الدوار (انظر الشكل 4)

يُسهل يرغى تثبيت الدوار 11 تحريك الجهاز بزاوية صغيرة بدقة عالية (انظر الشكل 4).

نصيحة بخصوص العمل

اختبار الدقة



إذا تجاوز خطأ القياس أقصى تباين مسموح به أثناء إجراء اختبار الدقة، يُرجى الاتصال بمركز خدمة CROWN.

العوامل التي تؤثر في دقة الجهاز:

- درجة الحرارة المحيطة، أي اختلاف درجة الحرارة الذي قد يحدث عند الابتعاد عن الأرض. إن اختلاف درجة الحرارة مهم جداً عند الاقتراب من سطح الأرض، ولذلك يوصى باستخدام حامل ثلاثي قوائم لإجراء عمليات القياس في المناطق التي يتخطى طولها 20 متراً.
- تلوث نافذة باعث الليزر الشفافة. تحقق من النافذة الواقية الشفافة لاكتشاف أي تلوث قبل الاستخدام، ثم قم بتنظيفه.
- القياس من خلال أسطح شفافة (النوافذ، أحواض الأسماك، وما شابه ذلك). لا يوصى بإجراء مثل هذا القياس.

- عمليات القياس على أسطح عاكسة (المرايا، الأسطح المعدنية المصقولة، وما إلى ذلك). لا يوصى بإجراء مثل هذا القياس.
- وجود بخار أو غبار أو دخان أو ما شابه ذلك في الهواء. لا يوصى بإجراء مثل هذا القياس.
- سقوط الجهاز أو تعرضه لصدمة كبيرة. في هذه الحالة، يوصى بإجراء اختبار دقة. إذا تم تجاوز أقصى تباين مسموح به، يُرجى الاتصال بمركز خدمة CROWN.

اختبار دقة الشعاع الأفقي (انحدار السطح) (انظر الشكل 3 والشكل 5)

- ضع الجهاز على سطح أفقي مستو بين جدارين ("A" و "B" في الشكل) بحيث تكون المسافة بينهما 7 أمتار.
- قم بتشغيل الجهاز كما هو موضح أعلاه (تشغيل التسوية الذاتية لرأس الليزر، انظر الشكل 3.1). شغل أشعة الليزر الأفقية والراسية.
- حدد نقطة تقاطع شعاعين من أشعة الليزر على الجدار "A" (النقطة "a1" في الشكل 5.1).
- حرك جسم الجهاز ثم حدد نقطة تقاطع شعاعين من أشعة الليزر على الجدار "B" (النقطة "b1" في الشكل 5.2).
- ضع الجهاز على مسافة تصل إلى 0,5-0,7 متر من الجدار، وحدد نفس النقاط (النقطة "a2"، والنقطة "b2" في الشكل 5.3 والشكل 5.4).
- إذا كانت الاختلافات [a1-a2] و [b1-b2] لا تختلف بعضها عن بعض في القيمة التي تتجاوز التباين المسموح به، الفين في صحيفة البيانات التقنية (1 م)، فإن دقة الجهاز تقع ضمن الحدود المسموح بها.

على سبيل المثال: الفرق $[a1-a2]=6$ مم و $[b1-b2]=5$ مم. ومن ثم، فإن قيمة التباين الخاصة بالجهاز تكون $6-5=1$ مم.

اختبار دقة الشعاع الأفقي (الانحناء السطحي) (انظر الشكل 3، 6)

- ضع الجهاز على سطح أفقي مستو يبعد تقريباً 7 أمتار عن الجدار.
- قم بتشغيل الجهاز كما هو موضح أعلاه (تشغيل التسوية الذاتية لرأس الليزر، انظر الشكل 3.1). شغل أشعة الليزر الأفقية والراسية.
- حدد نقطة تقاطع شعاعين من أشعة الليزر على الجدار "A" (النقطة "c1" في الشكل 6.1).
- حرك جسم الجهاز إلى جهة اليمين (النقطة "c2") حوالي 2,5 متر، وتأكد من أن الخط الأفقي يطابق النقطة "c1" أو أن المسافة من هذه النقطة ("x1") لا تتجاوز نصف قيمة التباين المسموح بها (0,5 م)، الفينة في صحيفة البيانات التقنية (انظر الشكل 6.2).
- نقذ نفس الإجراءات لتحريك جسم الجهاز إلى جهة اليسار (النقطة "c3" والمسافة "x2") (انظر الشكل 6.3).

اختبار دقة الشعاع الراسي (انظر الشكل 3، 7)

- ضع الجهاز على سطح أفقي مستو يبعد تقريباً 7 أمتار عن الجدار.
- ثبّت خيط شاقول طوله 2,5 متر تقريباً على الجدار.
- قم بتشغيل الجهاز كما هو موضح أعلاه (تشغيل التسوية الذاتية لرأس الليزر، انظر الشكل 3.1). شغل أشعة الليزر الراسية وركّز اتجاهها نحو خيط الشاقول (انظر الشكل 7).
- يجب أن يوضع شعاع الليزر بشكل متساو على طول خيط الشاقول بأكمله. إذا لم يكن الأمر كذلك، يجب ألا تتجاوز الإزاحة ("x3") قيمة التباين (1 م)، كما هو مبين في صحيفة البيانات التقنية.

اختبار دقة نقطة الشاقول (انظر الشكل 3، 8)

- ضع الجهاز على ارتفاع 1,5 متر من الأرضية.
- قم بتشغيل الجهاز كما هو موضح أعلاه (تشغيل التسوية الذاتية لرأس الليزر، انظر الشكل 3.1). شغل أشعة الليزر الراسية والأفقية، حدد موضع نقطة الشاقول (انظر الشكل 8.1).

العربية

40

سيقان قابلة للضبط (انظر الشكل 1)

في حال صدور إشارة صوتية أو رؤية أشعة ليزر وميضية عند تشغيل الجهاز، يكون حينها سوء محاذاة الجهاز أكبر من ± 3 درجة. اضبط موضع الجهاز باستخدام السيقان 10 بالإشارة إلى مؤشر ميزان التسوية 8 كما هو موضح في الشكل 1.

شحن البطارية

التشغيل الأولي

يتم تسليم هذا الجهاز مع البطارية المشحونة جزئياً. اشحن البطارية بالكامل قبل الاستخدام الأول للجهاز.

الشحن (انظر الشكل 2)

- وصل وحدة الطاقة 13 بالتيار الكهربائي (بصية المؤشر 18 باللون الأخضر، جاهز للشحن).
- وصل قابس وحدة الطاقة 13 بالمقيس 3 (انظر الشكل 2). أثناء إضاءة مؤشر الشحن 18 باللون الأحمر عند اكتمال الشحن، بصية المؤشر 18 باللون الأخضر.
- عند اكتمال الشحن، افصل قابس وحدة الطاقة 13 من المقيس 3، ثم افصل وحدة الطاقة 13 من التيار الكهربائي.

أثناء شحن البطارية ووحدة الطاقة 13 الخاصة بالجهاز، قد يصبح الجهاز ساخناً - وهذا لا يعتبر مشكلة.

يمكنك استخدام الجهاز أثناء شحنه، فإلّا يتسبب ذلك في أي ضرر للبطارية.

تشغيل / إيقاف تشغيل الأداة الكهربائية

عندما تكون التسوية الذاتية في وضع التشغيل:

التشغيل:

اضبط القفل 9 على الموضع الموضح في الشكل 3.1، سيؤدي ذلك إلى فتح آلية تعليق رأس الليزر وتشغيل كل من طاقة الليزر وإضاءة ميزان التسوية 8. إذا كان الجهاز موضوعاً على سطح مائل بزاوية أكبر من ± 3 درجات، فستسمع إشارة صوتية. يمكنك تشغيل / إيقاف تشغيل أشعة الليزر بالضغط على مفتاحي التشغيل / إيقاف التشغيل 5 و 7.

إيقاف التشغيل:

اضبط القفل 9 على الموضع الموضح في الشكل 3.2، سيؤدي ذلك إلى إقلاق آلية تعليق رأس الليزر وإيقاف تشغيل كل من طاقة الليزر وإضاءة ميزان التسوية 8.




عندما تكون التسوية الذاتية في وضع إيقاف التشغيل:

التشغيل:

اضبط القفل 9 على الموضع الموضح في الشكل 3.2، ثم اضغط على مفتاحي التشغيل / إيقاف التشغيل 6 وحزرها. إن طاقة الليزر في وضع التشغيل الآن، ولكن آلية تعليق رأس الليزر مفعولة. لا تصدر إشارة صوتية عندما تتم

العربية

41

الرمز	المعنى
	انتبه. مهم.
	معلومات مفيدة.
	عدم التخلص من الأداة الكهربائية في حاوية النفايات المنزلية.

الاستخدام المقصود

إن جهاز الليزر الخطي مصمم لتوجيه و / أو التحكم في الخطوط الأفقية والراسية والمائلة.

المكونات

- 1 حزام
- 2 غطاء بطارية الفضية
- 3 مقيس لموصل وحدة الطاقة
- 4 نافذة الباعث الراسية الشفافة
- 5 مفتاح تشغيل / إيقاف تشغيل شعاع الليزر الأفقي
- 6 مفتاح تشغيل / إيقاف تشغيل شعاع الليزر الأفقي المزود برأس ليزر مغلق
- 7 مفتاح تشغيل / إيقاف تشغيل شعاع الليزر الراسي
- 8 ميزان التسوية
- 9 قفل موضع رأس الليزر
- 10 ساق قابلة للضبط
- 11 برغي التثبيت الدوار
- 12 نافذة الباعث الأفقية الشفافة
- 13 وحدة الطاقة *
- 14 حامل الحزام *
- 15 نظارات الحماية من الليزر *
- 16 الحاوية *
- 17 سداة حاجبة
- 18 المؤشر

* أدوات إضافية اختيارية

ليست كل الملحقات التي تم توضيحها أو وصفها متضمنة كعرض قياسي.

التركيب / التنظيم

تجنب سحب عناصر التثبيت محكمة الربط لتجنب تلف السلك.

إن طريقة تركيب/تفكيك/ضبط بعض العناصر هي نفس طريقة ضبط جميع نماذج الأجهزة. وفي هذه الحالة، لم تتم الإشارة إلى أي نموذج محدد لأي جهاز في الرسم التوضيحي.

حدثت صدمة كهربائية.
 • لا تُشغل شاحن البطارية على الأسطح القابلة للاشتعال بسهولة (مثل الورق والمنسوجات وغيرها) أو في البيئات القابلة للاحتراق. هناك خطر حدوث حريق بسبب سخونة شاحن البطارية أثناء الشحن.

صيانة الجهاز

يجب أن يقوم بصيانة الجهاز موظفون مؤهلون باستخدام قطع الغيار الموصى بها. ويضمن هذا الحفاظ على سلامة جهازك.

الرموز المستخدمة في الدليل

تستخدم الرموز التالية في دليل التشغيل، لذا يُرجى تذكر معانيها. يضمن الفهم الصحيح للرموز الاستخدام الصحيح والأمن للجهاز.

المعنى	الرمز
ملصق الرقم التسلسلي: CT ... - الطراز؛ XX - تاريخ التصنيع؛ XXXXXXX - الرقم التسلسلي.	
احرص على قراءة كافة قواعد السلامة والإرشادات.	
تنبيه! إشعاع الليزر.	
اتجاه الحركة.	
اتجاه الدوران.	
الإشارة الصوتية.	
مدة شحن البطارية.	
مؤمّن.	
غير مؤمّن.	
توجد علامة تثبت أن هذا المنتج يتوافق مع المتطلبات الأساسية لتوجيهات الاتحاد الأوروبي، ومتناسب مع معايير الاتحاد الأوروبي.	

لا توجه شعاع الليزر إلى الناس أو الحيوانات، ولا تنظر إلى شعاع ليزر مستقيم أو منعكس. شعاع الليزر يمكن أن يعمي الناس أو يسبب حادثاً أو ضرراً في العين. يُمنع متعاً باتناً النظر إلى شعاع الليزر من خلال الأجهزة البصرية (مناظير، تلسكوبات، وما إلى ذلك)، وهذا يمكن أن يسبب ضرراً لشبكية العين. تنبيه: النظارات التي يتم تصنيعها في نطاق تسليم الجهاز ليست نظارات واقية، كما أنها تهدف إلى تحسين رؤية شعاع الليزر. لا تنظر إلى أشعة الليزر من هذه النظارات - فقد يتسبب ذلك في حدوث إصابات.



- لا تشغل الجهاز في الأجواء التي تحتوي على الغازات أو الغازات أو الأبخرة المتفجرة.
- عند تشغيل الجهاز، انتبه إلى العوامل التي قد تؤدي إلى الحصول على نتائج قياس خاطئة:
- تلوث نافذة باعث الليزر الشفافة؛
- القياس من خلال أشياء شفافة (النوافذ، أحواض الأسماك، وما شابه ذلك)؛
- القياس على أسطح عاكسة (المرآيا، الأسطح المعدنية المصقولة، وما إلى ذلك)؛
- وجود بخار، أو غبار، أو دخان أو ما شابه ذلك في الهواء.
- لا تعرض الجهاز للرطوبة، ولا تسمح بوصولها إلى الجهاز. لا تغمر الجهاز في أي سائل.
- لا تسقط أو تصدم الجهاز.
- احرص على حماية الجهاز من المجالات الكهرومغناطيسية (على سبيل المثال، لحام القوس الكهربائي أو السخانات الحثية).
- في حالة حدوث تغييرات مفاجئة في درجة الحرارة المحيطة، لا تقم بتشغيل الجهاز لمدة 30 دقيقة على الأقل.
- لا تترك الجهاز بالقرب من الأجسام ذات درجة الحرارة المرتفعة.

استخدام بطارية العدة والعناية بها

- إعادة الشحن تكون فقط بواسطة الشاحن المحدد من قبل الشركة المصنعة. الشاحن الذي يناسب نوعاً معيناً من مجموعات البطاريات قد يتسبب في خطر نشوب حريق عند استخدامه مع مجموعة بطارية أخرى.
- لا تستخدم الجهاز إلا مع مجموعة بطارية مناسبة. إن استخدام أنواع أخرى من البطاريات قد يتسبب في حدوث إصابات أو نشوب حريق.
- في ظروف سوء الاستعمال، قد يتسرب السائل من البطارية؛ فتجنب اللمس، في حالة حدوث التلامس، قم بالشفط بالماء، في حالة ملامسة السائل للعين، اطلب المساعدة الطبية الإضافية. قد يتسبب السائل الذي يتسرب من البطارية في تهيجها أو حدوث حروق.
- لا تفتح البطارية. خطر على الدائرة.
- في حالة الضرر والاستخدام غير السليم للبطارية، قد تنبعث أبخرة. اعمل على توفير الهواء النقي وطلب المساعدة الطبية في حالة الشكاوى. يمكن للأبخرة أن تهيج الجهاز التنفسي.
- عندما تكون البطارية معيبة، يمكن أن يهرب السائل ويتلامس مع المكونات المجاورة. افحص أي أجزاء معيبة. نظف هذه الأجزاء أو استبدلها، عند الحاجة.
- احم البطارية ضد الحرارة، وأيضاً ضد التعرض المستمر لأشعة الشمس والنار. هناك خطر الانفجار.
- احم شاحن البطارية من المطر والرطوبة. دخول المياه إلى شاحن البطارية يؤدي إلى زيادة خطر حدوث الصدمة الكهربائية.
- لا تشحن بطاريات أخرى. شاحن البطارية مناسب فقط لشحن بطاريات الليثيوم أيون ضمن نطاق الجهد المذكور. وخلاف ذلك سيتعرض إلى خطر الحريق والانفجار.
- حافظ على شاحن البطارية نظيفاً. قد يسبب التلوث خطر حدوث صدمة كهربائية.
- تحقق من شاحن البطارية والكابلات والمكونات في كل مرة قبل الاستخدام. لا تستخدم شاحن البطارية عندما يتم اكتشاف عيوب. لا تفتح شاحن البطارية بنفسك وأصلحه بواسطة موظفين مؤهلين فقط باستخدام قطع الغيار الأصلية. تؤدي أجهزة شحن البطاريات والكابلات والمقابس التالفة إلى زيادة خطر

مواصفات الجهاز

CT44024	CT44023	CT44022	ليزر خطي
421579	421552	421555	رمز الجهاز
4V 1H 1D	2V 1H 1D	1V 1H 1D	الأشعة التي يتم إسقاطها
30	30	30	مجال العمل [م]
دقة التسوية:			
±1 مم عند 7 م	±1 مم عند 7 م	±1 مم عند 7 م	- الشعاع الأفقي
±1 مم عند 7 م	±1 مم عند 7 م	±1 مم عند 7 م	- الشعاع الرأسي
±1 مم عند 1,5 م	±1 مم عند 1,5 م	±1 مم عند 1,5 م	- نقطة الشاقول
±1 مم عند 5 م	±1 مم عند 5 م	±1 مم عند 5 م	- الخطوط العليا
±2 مم عند 5 م	±2 مم عند 5 م	±2 مم عند 5 م	- تعامدي الشعاع
≤5	≤5	≤5	وقت التسوية الذاتية [أوقات]
±3°	±3°	±3°	تطاق التسوية الذاتية
II	II	II	فئة الليزر
525	525	525	نوع الليزر [نانومتر]
3,7V; Li-Ion	3,7V; Li-Ion	3,7V; Li-Ion	نوع البطارية
180-240	180-240	180-240	مدة شحن البطارية [ساعة]
5/8"	5/8"	5/8"	خيط للحامل
-10 ... +40	-10 ... +40	-10 ... +40	نطاق درجة حرارة التشغيل [C°]
-20 ... +55	-20 ... +55	-20 ... +55	نطاق درجة حرارة التخزين [C°]
1,04	1,04	1,03	الوزن [كجم]
2,29	2,29	2,27	[رطل]

* V - المستوى الرأسي، H - الخيط الأفقي، D - نقطة الشاقول

قواعد السلامة العامة

تحذير - لتقليل خطر الإصابة، ينبغي أن يقرأ المستخدم دليل التعليمات!



تنبيه! قبل استخدام الجهاز لأول مرة، اقرأ هذا الدليل بعناية واتبع كافة توصياته وقواعده. احتفظ بالدليل للرجوع إليه في المستقبل أو للمالك المقبل.



* قبل الاستخدام، تحقق من سلامة مبيت الجهاز؛ في حالة حدوث أي أضرار يجب عدم استخدام الجهاز.

إعلان المطابقة CE

تعلم تحت مسؤوليتنا الوحيدة أن المنتج الموصوف تحت "البيانات الفنية" مطابق لجميع الأحكام ذات الصلة بالتوجيهات 2006/42/EC، بما في ذلك تعديلاتها ويمتثل للمعايير التالية: IEC 60825-1:2014

Wu Cunzhen

Wu Cunzhen

المدير العام

Merit Link International AG
Stabio, Switzerland, 08.02.2019

العربية
43

اینطور نیست، انحراف ("x3") نباید از مقدار واریانس (1 میلی متر)، که در برگه فنی داده شده است، تجاوز کند.

تست دقت شاقول گذاری (شکل 3، 8 را ببینید)

- دستگاه را در ارتفاع 1.5 متر از کف قرار دهید.
- دستگاه را به شیوه ای که در بالا گفته شد، روشن کنید (سیستم خود تراز سر لیزر روشن باشد، شکل 3.1 را ببینید). پرتو لیزر افقی و عمودی را روشن کنید، نقطه شاقول گذاری را علامت بزنید (شکل 8.1 را ببینید).
- بنده دستگاه را با زوایه های 90، 180، 270 و 360 درجه بچرخانید و نقطه شاقول گذاری را در هر یک از موقعیت های ذکر شده، علامت بزنید (شکل 8.2 را ببینید). این علامت ها باید منطبق باشند یا در شعاع دایره ای به قطر کمتر از 1 میلیمتر قرار داشته باشند (شکل 8.3 را ببینید).

تست دقت تلاقی خطوط بالایی (شکل 3، 9 را ببینید)

[CT44024, CT44023]

- دستگاه را روی سطح صاف با فاصله 2,5 متر از سقف قرار دهید.
- دستگاه را به شیوه ای که در بالا گفته شد، روشن کنید (سیستم خود تراز سر لیزر روشن باشد، شکل 3.1 را ببینید). پرتو لیزر عمودی را روشن کنید و نقطه تلاقی را روی سقف علامت بزنید (شکل 9.1 را ببینید).
- بنده دستگاه را با زوایه های 90، 180، 270 و 360 درجه بچرخانید و نقطه تلاقی را در هر یک از موقعیت های ذکر شده، علامت بزنید (شکل 9.2 را ببینید). این علامت ها باید منطبق باشند یا در شعاع دایره ای به قطر کمتر از 0,5 میلیمتر قرار داشته باشند (شکل 9.3 را ببینید).

تست تعاد پرتوهای لیزر عمودی (شکل 10 را ببینید)

[CT44024, CT44023]

- دستگاه را روی سطح صاف افقی با فاصله تقریبی 2.5 متر از دیوارها قرار دهید (شکل 10 که نمای شماتیک از بالا را نشان می دهد ببینید).
- دستگاه را به شیوه ای که در بالا گفته شد، روشن کنید (سیستم خود تراز سر لیزر روشن باشد، شکل 3.1 را ببینید). دو پرتو عمود لیزر عمودی را روشن کنید ("L1" و "L2") و نقطه بازتاب آنها را روی دیوارها (خطوط "d1" و "d2") علامت بزنید (شکل 10.1 را ببینید).
- بنده دستگاه را با زوایه 90 درجه از محل اولیه بچرخانید، پرتو لیزر "L1" را با خط "d2" همراستا کنید و محل پرتو "L2" را با خط "d3" علامت بزنید (شکل 10.2 را ببینید).
- بنده دستگاه را با زوایه 180 درجه از محل اولیه بچرخانید، پرتو لیزر "L1" را با خط "d3" همراستا کنید و محل پرتو "L2" را با خط "d4" علامت بزنید (شکل 10.3 را ببینید).
- بنده دستگاه را با زوایه 270 درجه از محل اولیه بچرخانید، پرتو لیزر "L1" را با خط "d3" همراستا کنید و محل پرتو "L2" را با خط "d5" علامت بزنید (شکل 10.4 را ببینید).
- فاصله ("x4") بین خطوط "d1" و "d5" را اندازه بگیرید - این فاصله نباید از نصف مقدار واریانس (1 میلیمتر)، که در برگه اطلاعات فنی دستگاه موجود است بیشتر باشد.

توصیه کلی (شکل 11 را ببینید)

- قبل از شروع به کار اطمینان حاصل کنید که تمامی اندازه گیری ها تحت شرایط مناسبی انجام شده باشد (بخش "عوامل تأثیرگذار روی دقت دستگاه" را مطالعه کنید).
- دستگاه را با دقت با توجه به تراز 8 قرار دهید، موقعیت دستگاه را با پایه های قابل تنظیم 10، تنظیم کنید. عدم توازن افقی تاجیز را می توان با سیستم خودتراز لیزر (کمتر از 3 ± درجه) جبران کرد.

سازنده حق ایجاد تغییرات احتمالی را برای خود محفوظ می داند.

فارسی

44

- برای دید بهتر پرتو لیزر، از عینک 15 استفاده کنید. توجه: این عینک 15 برای محافظت نیست. نگاه کردن به پرتو لیزر از پشت این عینک اکیداً ممنوع است - ممکن است باعث آسیب دیدن شبکیه چشم شود.
- دستگاه را به شیوه ای که در بالا گفته شد، روشن کنید. اگر سیستم خودتراز روشن است و دستگاه را روشن کردید و سیگنال صوتی شنیده شد و پرتو لیزر چشمک زن بود، باید دستگاه را دوباره در موقعیت مناسب قرار دهید، در غیر اینصورت نتایج اندازه گیری غلط خواهد بود.
- می توانید وقتی سیستم خودتراز سر لیزر خاموش است، خطوط مایل را علامت بزنید (شکل 11 را ببینید). توجه! پرتوهای افقی و عمودی را در این حالت علامت نزنید - موقعیت آنها درست نیست.
- می توانید با دست بنده دستگاه را بچرخانید (به سرعت) یا با استفاده از پیچ های چرخان 11 (کندتر ولی با دقت بیشتر) این کار را انجام دهید.
- پس از اتمام کار، دستگاه را به شیوه ای که در بالا توضیح داده شد، خاموش کنید (فصل 9 باید در موقعیتی که در شکل 3.2 نشان داده شده است باشد و پرتوهای لیزر باید خاموش باشند).
- برای نگهداری طولانی مدت و حمل و نقل بهتر است دستگاه را داخل محفظه 16 قرار دهید. اطمینان حاصل کنید که هیچ گونه رطوبتی روی قطعات دستگاه نباشد (در صورت لزوم آن را با پارچه ای نرم خشک و تمیز کنید). سپس دستگاه را داخل محفظه 16 قرار دهید.

اقدامات پیشگیرانه / مراقبتی از ابزار شارژی

تمیز کردن دستگاه

- دستگاه را تمیز نگه دارید. از مواد سوزآور یا حلال استفاده نکنید.
- پنجره های آمیتر باید با یک پارچه نرم تمیز شوند. از ابزار تیز و ساینده برای این منظور استفاده نکنید.

خدمات پس از فروش و خدمات کاربردی

خدمات پس از فروش ما پاسخگوی سوالات شما درباره نگهداری و تعمیر محصول شما و همچنین قسمت های بدکی آن است. اطلاعات مربوط به مراکز سرویس، نمودارهای قطعات و قطعات بدکی را می توانید در این سایت بیابید: www.crown-tools.com

حمل ابزارهای شارژی

- در طول حمل ابزار از وارد کردن هر گونه ضربه مکانیکی به بسته بندی مطلقاً بپرهیزید.
- هنگام قرار دادن دستگاه در بسته یا خارج کردن آن، استفاده از هیچ گونه فناوری ای که باعث دستکاری در مگننگ بسته بندی شده مجاز نیست.

محافظت از محیط زیست

به جای اینکه مواد خام را مثل زباله دور بیندازید، آن ها را بازیافت کنید.



ابزار شارژی، لوازم جانبی و بسته بندی را باید برای بازیافت به روش زیست محیطی طبقه بندی کرد. اجزای پلاستیکی برای بازیافت طبقه بندی شده برچسب گذاری می شوند. این دستورالعمل ها روی کاغذ بازیافت شده تولید شده بدون کالر چاپ می شوند.

وقتی قابلیت خود تراز خاموش است

روشن کردن:

فقل 9 را در موقعیت شکل 3.2 قرار دهید، آنگاه سونچ های روشن / خاموش 6 را فشار داده و رها کنید. لیزر هم اکنون روشن است، اما ننده تعلق سر لیزر فقل است. وقتی دستگاه در وضعیت شیب قرار دارد، هیچ سیگنال صوتی شنیده نمی شود. شما می توانید با فشردن سونچ های روشن / خاموش 5 و 7 پرتوهای لیزر را روشن و خاموش کنید.

خاموش کردن:

آنگاه سونچ های روشن / خاموش 6 را فشار داده و رها کنید.

ویژگی های طراحی ابزار شارژی

سیستم خود تراز سر لیزر

اگر دستگاه در سطح شیبدار (زاویه شیب بیشتر از $\pm 3^\circ$ درجه نباشد) یا سطح ناهموار قرار داشته باشد، سیستم خود تراز سر لیزر امکان اندازه گیری با لیزر را فراهم می کند. اگر زاویه سطح شیبدار از حداکثر زاویه ممکن بیشتر باشد، پرتو لیزر شروع به چشمک زدن می کند؛ دستگاه سیگنال صوتی صادر می کند. در چنین وضعیتی، دستگاه را روی سطح هموار قرار دهید یا موقعیت دستگاه را با استفاده از پایه های قابل تنظیم 10، تنظیم کنید. برای سهولت بیشتر در تثبیت موقعیت دستگاه، از تراز 8 استفاده کنید.



توجه: اگر دستگاه در حین کار جابجا شود، سر لیزر را در حین نگهداری و حمل و نقل، فقل کنید (فقل 9 را در موقعیت شکل 3.2 قرار دهید).

پایه های قابل تنظیم (شکل 1.1 را ببینید)

پایه های قابل تنظیم 10 برای تراز کردن دستگاه در مواقعی است که دستگاه روی سطح شیبدار یا سطح ناهموار قرار دارد (شکل 1.1 را ببینید).

تراز

تراز 8، موقعیت دستگاه در راستای افقی را نشان می دهد. اگر حباب هوا در وسط تراز 8 باشد، دستگاه در وضعیت صحیحی قرار گرفته است (شکل 1.2 را ببینید).

پیچ چرخان (شکل 4 را ببینید)

پیچ چرخان 11 چرخش دستگاه را با زاویه کم و دقت بالا ممکن می سازد (شکل 4 را ببینید).

پیشنهاد در مورد کار با دستگاه

تست دقت



اگر خطای اندازه گیری در حین تست دقت از حداکثر واریانس مجاز بیشتر بود، لطفاً با مرکز خدمات CROWN تماس بگیرید.

عواملی که بر دقت دستگاه تأثیر می گذارند:

- نمای محیطی مثل تفاوت نمایی که با فاصله از زمین ایجاد می شود.
- تفاوت نما در نزدیکی سطح زمین بیشتر از هر قسمت دیگر محسوس است، بنابراین توصیه می شود برای اندازه گیری در محیط هایی با طول بیشتر از 20 متر از سه پایه استفاده کنید.

- کیفی پنجره امیتر لیزر. همیشه قبل از استفاده، پنجره های محافظ را از نظر وجود آلودگی بررسی کنید و در صورت لزوم آنها را تمیز کنید.
- اندازه گیری از پشت سطوح شفاف (پنجره ها، آکواریوم ها و غیره). این گونه اندازه گیری توصیه نمی شود.
- اندازه گیری روی سطوح بازتابنده (اینه ها، سطوح فلزی صیقلی و غیره). این گونه اندازه گیری توصیه نمی شود.
- وجود بخار، گردوغبار، دود و غیره در هوا. این گونه اندازه گیری توصیه نمی شود.
- افتادن دستگاه یا وارد آمدن شوک سنگین به آن. در این موارد توصیه می شود که تست دقت صورت گیرد. اگر خطا از حداکثر واریانس مجاز بیشتر شد، لطفاً با مرکز خدمات CROWN تماس بگیرید.

تست دقت پرتو افقی (شیب سطح) (شکل 3، 5 را ببینید)

- دستگاه را روی سطح صاف افقی بین دو دیوار قرار دهید ("A" و "B" در شکل) که فاصله نو دیوار باید 7 متر باشد.
- دستگاه را به شیوه ای که در بالا گفته شد، روشن کنید (سیستم خود تراز سر لیزر روشن باشد، شکل 3.1 را ببینید). پرتوهای افقی و عمودی لیزر را روشن کنید.
- محل تقاطع دو پرتو لیزر را روی دیوار "A" علامت بزنید (نقطه "a1" در شکل 5.1).
- بنده دستگاه را بچرخانید و محل تقاطع دو پرتو لیزر را روی دیوار "B" علامت بزنید (نقطه "b1" در شکل 5.2).
- دستگاه را در فاصله 0,7-0,5 متری از دیوار قرار دهید و همان نقاط را علامت بزنید (نقاط "a2" و "b2" در شکل 5.3 و 5.4).
- اگر در اختلاف مقادیر [a1-a2] و [b1-b2] در مقدار بیش از حداکثر واریانس مجاز که در برگه اطلاعات فنی دستگاه موجود است (1 میلیمتر)، تفاوتی وجود نداشت، دقت دستگاه در بازه مجاز قرار دارد.

مثال: تفاوت [a1-a2]=6 میلیمتر و [b1-b2]=5 میلیمتر. بنابراین مقدار واریانس دستگاه برابر است با $6-5 = 1$ میلیمتر

تست دقت پرتو افقی (خمیدگی سطح) (شکل 3، 6 را ببینید)

- دستگاه را روی سطح افقی صاف قرار دهید و تقریباً 7 متر از دیوار فاصله داشته باشد.
- دستگاه را به شیوه ای که در بالا گفته شد، روشن کنید (سیستم خود تراز سر لیزر روشن باشد، شکل 3.1 را ببینید). پرتوهای افقی و عمودی لیزر را روشن کنید.
- محل تقاطع دو پرتو لیزر را روی دیوار "A" علامت بزنید (نقطه "c1" در شکل 6.1).
- بنده دستگاه را به سمت راست بچرخانید (نقطه "c2" تقریباً 2.5 متر و اطمینان حاصل کنید که خط افقی با نقطه "c1" همراستا است یا فاصله این نقطه ("x1") از نصف میزان واریانس مجاز (0.5 میلیمتر) که در برگه اطلاعات فنی دستگاه موجود است، تجاوز نمی کند، (شکل 6.2 را ببینید).
- دستگاه را به سمت چپ بچرخانید (نقطه "c3" و فاصله "x2") و اعمال گفته شده را تکرار کنید (شکل 6.3 را ببینید).

تست دقت پرتو عمودی (شکل 3، 7 را ببینید)

- دستگاه را روی سطح افقی صاف تقریباً در فاصله 7 متری از دیوار قرار دهید.
- یک شاقول تقریباً 2.5 متری را به دیوار ثابت کنید.
- دستگاه را به شیوه ای که در بالا گفته شد، روشن کنید (سیستم خود تراز سر لیزر روشن باشد، شکل 3.1 را ببینید). پرتو لیزر عمودی را روشن کنید و آن را روی خط شاقول متمرکز کنید (شکل 7 را ببینید)
- پرتو لیزر باید به صورت یکنواختی روی تمامی طول شاقول بتابد. اگر

نماد	معنی	نصب / تنظیم
	قفل.	اجزای چفت و بست را خیلی محکم نکنید تا به شیارها آسیب نرسد.
	قفل باز.	نصب کردن / جدا کردن / تنظیم برخی عناصر برای تمامی مدل های دستگاه یکسان است. در این مورد هیچ مدل خاصی از دستگاه در طراحی توصیفی مدنظر نیست.
	علامتی که تأیید می کند این محصول مطابق با شرایط اساسی دستورالعمل های اتحادیه اروپا و استانداردهای هماهنگ اتحادیه اروپا است.	پایه های قابل تنظیم (شکل 1 را ببینید)
	توجه، مهم.	شنیدن سیگنال صوتی و چشمک زن بودن پرتوهای لیزر پس از روشن شدن دستگاه، نشان دهنده ناتراز بودن افقی دستگاه به میزان بیش از ± 3 درجه است. موقعیت دستگاه را با استفاده از پایه ها 10 و با توجه به شاخص تراز 8 به صورتی که در شکل 1 نشان داده شده است، تنظیم کنید.
	اطلاعات مفید.	شارژ پاتری
	ابزار شارژی را به همراه زیاله های خانگی دور نیندازید.	راه اندازی اولیه

شارژ کردن (شکل 2 را ببینید)

- منبع تغذیه 13 را به برق متصل کنید (چراغ شاخص 18 به رنگ سبز روشن می شود، دستگاه آماده شارژ شدن است).
- پریز منبع تغذیه 13 را به سوکت 3 متصل کنید (شکل 2 را ببینید). در هنگام شارژ، شاخص 18 با رنگ قرمز روشن می شود. وقتی عملیات شارژ کامل شد، چراغ شاخص 18 به رنگ سبز روشن می شود.
- وقتی عملیات شارژ کامل شده، پریز منبع تغذیه 13 را از سوکت 3 قطع کنید و منبع تغذیه 13 را از برق بکشید.

در حین شارژ کردن، باتری و منبع تغذیه 13 دستگاه ممکن است داغ شوند - این امر طبیعی است.

شما می توانید در حین شارژ شدن از دستگاه استفاده کنید. این کار صدمه ای به باتری وارد نمی کند.

روشن / خاموش کردن

وقتی قابلیت خود تراز روشن است

روشن کردن:

قفل 9 را در موقعیت شکل 3.1 قرار دهید. این کار دنده تعلیق سر لیزر را آزاد می کند، چراغ لیزر و تراز 8 را روشن کنید. اگر دستگاه روی سطح شیبداری با زاویه بیشتر از ± 3 درجه قرار داشته باشد، شما یک سیگنال صوتی خواهید شنید. شما می توانید با فشردن سوییچ های روشن / خاموش 5 و 7 پرتوهای لیزر را روشن و خاموش کنید.

خاموش کردن:

قفل 9 را در موقعیت مطابق شکل 3.2 قرار دهید. این کار دنده تعلیق سر لیزر را آزاد می کند، چراغ لیزر و تراز 8 را خاموش کنید.

کاربرد موردنظر

لیزر خطی برای کشیدن و/ یا کنترل خطوط افقی، عمودی و مایل طراحی شده است.

مؤلفه ها

- بند
- پوشش مورد باتری
- سوکت اتصال مخزن تغذیه
- پنجره آمپتر عمودی
- سوییچ روشن / خاموش لیزر افقی
- سوییچ روشن / خاموش پرتو لیزر با سر لیزر قفل شده
- سوییچ روشن / خاموش پرتو لیزر عمودی
- تراز
- قفل وضعیت سر لیزر
- پایه قابل تنظیم
- پیچ چرخان
- پنجره آمپتر افقی
- منبع برق *
- تسمه مخصوص حمل *
- عینک مخصوص دید لیزر *
- محفظه *
- بست پریز
- شاخص

* اضافی اختیاری

همه لوازم جانبی به تصویر کشیده شده و توضیح داده شده به عنوان تحویل کلای استاندارد در بسته محصول قرار دارند.

کتابچه راهنما را برای مراجعات بعدی یا برای مالک بعدی نگاه دارید.

قبل از استفاده، انسجام غلاف دستگاه را بررسی کنید؛ در صورت آسیب دیدن نباید از دستگاه استفاده شود.



پرتو لیزر را به سمت افراد یا حیوانات نگیرید و مستقیم به پرتو لیزر یا انعکاس آن نگاه نکنید. پرتو لیزر ممکن است باعث کوری افراد شود، ایجاد حادثه کند یا به چشم ها آسیب برساند. نگاه کردن به لیزر از طریق دستگاه های اپتیکی (دوربین، تلسکوپ و غیره) اکیدا ممنوع است، این کار باعث آسیب به شبکیه می شود. توجه: عینکی که در بسته تحویلی دستگاه تعبیه شده است، عینک محافظ نیست و برای دید بهتر پرتو لیزر طراحی شده است. از پشت این عینک به پرتو لیزر نگاه نکنید - ممکن است باعث آسیب دیدگی شود.

دستگاه را در محیطی که دارای بخارات یا گرد و غبار قابل انفجار است، روشن نکنید.

وقتی با دستگاه در حال کار هستید، به عواملی که ممکن است باعث تاندرستی نتایج اندازه گیری شوند، توجه داشته باشید:

- کثیفی پنجره امیتور لیزر؛
- اندازه گیری از پشت اشیاء شفاف (پنجره ها، آکواریوم ها و غیره)؛
- اندازه گیری روی سطوح بازتابنده (آینه ها، سطوح فلزی صیقلی و غیره)؛
- وجود بخار، گردوغبار، دود و غیره در هوا.
- دستگاه را در معرض رطوبت قرار ندهید و اجازه ندهید رطوبت وارد دستگاه شود. دستگاه را در آب یا مایعات غوطه ور نکنید.
- دستگاه را زمین نیندازید یا آن را به زمین نکوبید.
- دستگاه را در برابر میدان الکترومغناطیسی (به عنوان مثال، جوشکاری یا قوس الکتریکی یا بخاری القایی) محافظت کنید.
- در صورت تغییر ناگهانی دمای محیط، دستگاه را برای حداقل 30 دقیقه خاموش کنید.
- دستگاه را در نزدیکی اجسام یا درجه حرارت بالا به حال خود رها نکنید.

مراقبت و استفاده از باتری ابزار

- باتری را فقط با استفاده شارژر تعبیه شده همراه محصول شارژر کنید. شارژری که برای شارژ یک نوع یک باتری مناسب است، در صورتی که برای شارژ یک های دیگر مورد استفاده قرار گیرد، ممکن است باعث آتش سوزی شود.
- از دستگاه فقط با یک باتری مناسب استفاده کنید. استفاده از انواع دیگر باتری ممکن است باعث آسیب دیدگی و آتش سوزی شود.
- در صورت سوء استعمال، مایع باتری ممکن است از باتری بیرون بزند؛ از تماس مایع با بدن خودداری کنید. اگر به صورت اتفاقی تماس صورت گرفت، موضع را با آب بشویید. اگر مایع با چشم تماس پیدا کرد، به پزشک مراجعه کنید. مایع خارج شده از باتری ممکن است باعث التهاب یا سوختگی شود.
- باتری را باز نکنید. خطر شدت جریان برق وجود دارد.
- در صورت آسیب دیدگی و استفاده نادرست از باتری، بخاراتی ممکن است متصاعد شود. سریعاً به هوای آزاد بروید و در صورت ناراحتی از پزشک کمک بگیرید. بخارات ممکن است باعث التهاب دستگاه تنفسی شوند.
- اگر باتری معیوب باشد، مایع می تواند از آن خارج شده و با اجزای جانبی تماس پیدا کند. تمامی قطعات مربوطه را چک کنید. این اجزا را تمیز کنید یا در صورت لزوم تعویض نمایید.
- باتری را در مقابل حرارت، همچنین تشعشع مداوم آفتاب و آتش محافظت کنید. خطر انفجار وجود دارد.
- شارژر باتری را در مقابل باران و رطوبت حفظ کنید. نفوذ آب به داخل شارژر باتری خطر برق گرفتگی را افزایش می دهد.

• باتری های دیگر را شارژ نکنید. شارژر باتری فقط برای شارژر باتری های دارای یون لیتیوم در محدوده ولتاژی فیرست شده مناسب است. هرگونه استفاده دیگر باعث آتش گرفتگی و انفجار خواهد شد.

• شارژر باتری را تمیز نگاه دارید. آلودگی ممکن است خطر برق گرفتگی به دنبال داشته باشد.

• شارژر باتری، کابل و دو شاخه را هر بار قبل از استفاده چک کنید. اگر تشخیص دادید که شارژر معیوب است، از آن استفاده نکنید. خودتان شارژر باتری را باز نکنید و آن را جهت تعمیر فقط به پرسنل واجد شرایط که از قطعات بدکی اصلی استفاده می کنند، بسپارید. شارژر ها، کابل ها و دو شاخه های آسیب دیده باعث افزایش خطر برق گرفتگی می شوند.

• هرگز از شارژر باتری روی سطوح قابل اشتعال (مثل کاغذ، پارچه و غیره) یا در محیط های قابل احتراق استفاده نکنید. خطر آتش سوزی به دلیل گرم شدن شارژر در هنگام شارژ وجود دارد.

نگهداری و تعمیرات دستگاه

تعمیر و نگهداری دستگاه شما باید توسط پرسنل مجرب با استفاده از قطعات بدکی توصیه شده انجام شود. این تضمین می کند که ایمنی دستگاه شما حفظ می شود.

نمادهای مورد استفاده در این دفترچه راهنما

نمادهای زیر در این دفترچه راهنما استفاده شده است لطفاً معنای آن ها را به خاطر داشته باشید. تفسیر درست نمادها باعث استفاده صحیح و ایمن از ابزار شارژی می شود.

معنی	نماد
برچسب شماره سریال: CT... - مدل XX - تاریخ ساخت XXXXXXXX - شماره سریال	
همه قوانین و شرایط ایمنی را بخوانید.	
احتیاطاً! تشعشع لیزری.	
جهت حرکت.	
جهت چرخش.	
سیگنال صوتی.	
زمان شارژ باتری.	

مشخصات دستگاه

CT44024	CT44023	CT44022	تراز لیزری خطی
421579	421552	421555	کد دستگاه
4V 1H 1D	2V 1H 1D	1V 1H 1D	پرتوهای موردنظر
30	30	30	بازه کاری [متر]
دقت ترازبندی:			
±1 میلیمتر در 7 متر	±1 میلیمتر در 7 متر	±1 میلیمتر در 7 متر	- پرتو افقی
±1 میلیمتر در 7 متر	±1 میلیمتر در 7 متر	±1 میلیمتر در 7 متر	- پرتو عمودی
±1 میلیمتر در 1,5 متر	±1 میلیمتر در 1,5 متر	±1 میلیمتر در 1,5 متر	- نقطه شاقول گذاری
±1 میلیمتر در 5 متر	±1 میلیمتر در 5 متر	±1 میلیمتر در 5 متر	- خطوط بالایی
±1 میلیمتر در 5 متر	±1 میلیمتر در 5 متر	±1 میلیمتر در 5 متر	- تعادل پرتو
≤5	≤5	≤5	زمان خودتراز [ثانیه]
±3°	±3°	±3°	بازه خودتراز
			کلاس لیزر
525	525	525	نوع لیزر [نانومتر]
3,7V; Li-Ion	3,7V; Li-Ion	3,7V; Li-Ion	نوع باتری
180-240	180-240	180-240	زمان شارژ باتری [ساعت]
5/8"	5/8"	5/8"	رزوه سه پایه
-10 ... +40	-10 ... +40	-10 ... +40	بازه دمای کارایی [C°]
-20 ... +55	-20 ... +55	-20 ... +55	بازه دمای نگهداری [C°]
1,04	1,04	1,03	وزن [کیلوگرم]
2,29	2,29	2,27	[پوند]

* V - راستای عمود، H - راستای افق، D - راستای شاقول گذاری

Merit Link International AG
Stabio, Switzerland, 08.02.2019

CE اعلامیه تطابق

قوانین ایمنی عمومی

هشدار- برای کاهش خطر آسیب، کاربر باید دستورالعمل های زیر را مطالعه کند!



توجه! قبل از استفاده از این وسیله برای اولین بار، این کتابچه راهنما را با دقت بخوانید و تمامی توصیه ها و قوانین آن را رعایت کنید.



ما صرفاً به موجب مسئولیت خود اعلام می داریم محصولی که زیر عنوان "اطلاعات فنی" توضیح داده شده است، با تمام و همچنین 2006/42/EC مقررات مرتبط با دستورالعمل های اصلاحات آنها انطباق دارد و مطابق با استانداردهای زیر است: IEC 60825-1:2014.

Wu Cunzhen

Wu Cunzhen

عنبر عامل

فارسی
48



Merit Link International AG
P.O. Box 641, CH-6855 Stabio
Switzerland
www.meritlink.com