



ARISTON

SPARE PARTS EXPLODED VIEW STORAGE ELECTRIC WATER HEATERS

Model

ANDRIS2 B/R O

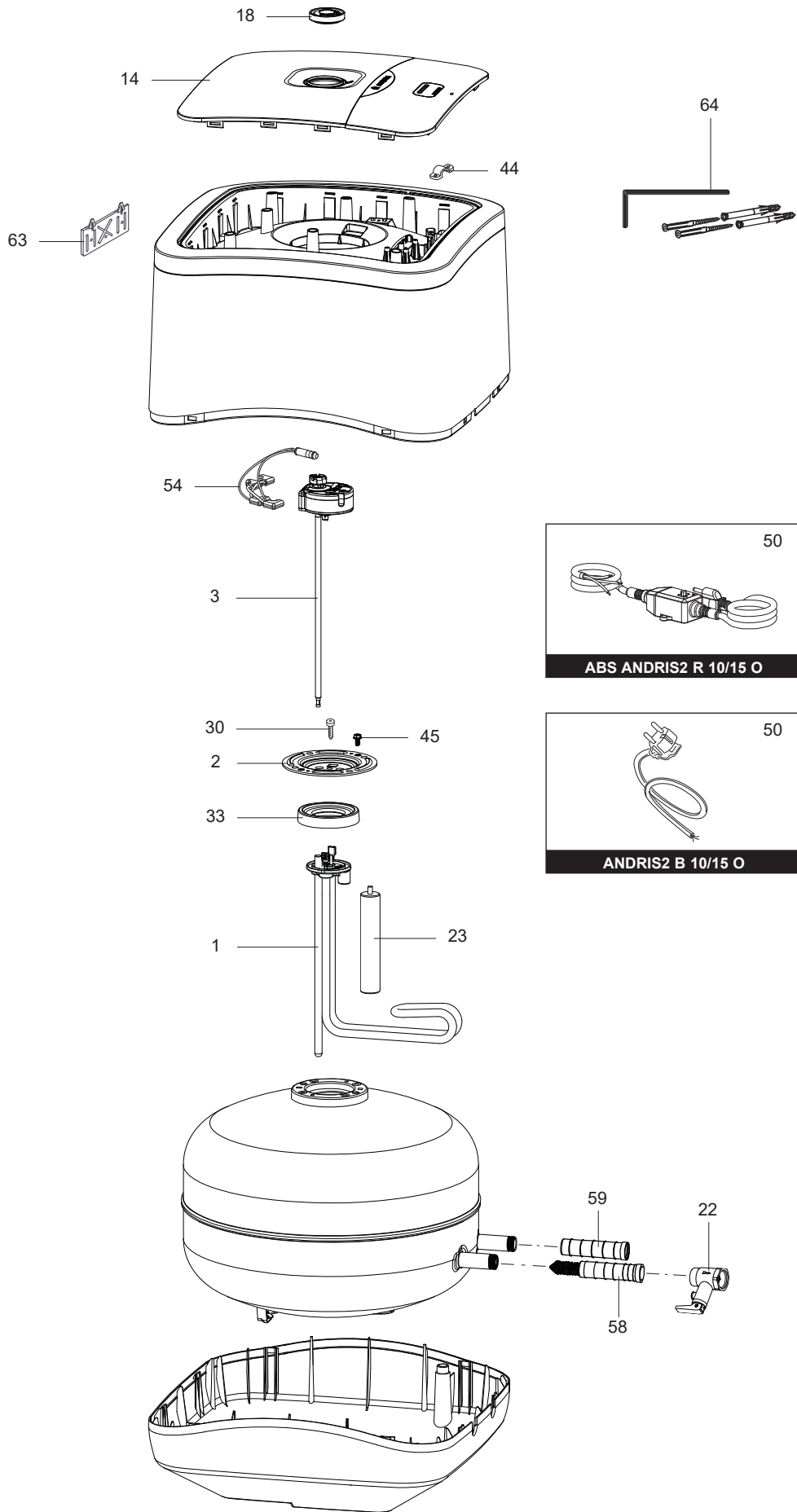
R8218625-03 - 23/05/2022

ANDRIS2 B/R O

Storage Electric Water Heaters

| | | | | |
|----|---------|------------------------|---------|---------|
| 1 | 3180762 | ANDRIS2 B 10 O | 01-2021 | 05-2022 |
| 2 | 3180770 | ANDRIS2 B 10 U | 11-2021 | - |
| 3 | 3180798 | ANDRIS2 B 10 2.5 O | 11-2021 | - |
| 4 | 3180759 | ABS ANDRIS2 R 10 O | 01-2021 | 05-2022 |
| 5 | 3180797 | ABS ANDRIS2 R 10 2.5 O | 11-2021 | - |
| 6 | 3180768 | ABS ANDRIS2 R 10 U | 11-2021 | - |
| 7 | 3180763 | ANDRIS2 B 15 O | 01-2021 | - |
| 8 | 3180771 | ANDRIS2 B 15 U | 11-2021 | - |
| 9 | 3180760 | ABS ANDRIS2 R 15 O | 01-2021 | - |
| 10 | 3180769 | ABS ANDRIS2 R 15 U | 11-2021 | - |

| Col | Reference | Model type | Begin | End |
|-----|-----------|------------|-------|-----|
|-----|-----------|------------|-------|-----|



LIST OF THE ABBREVIATIONS

| | |
|-------------|--|
| HW | : Hot water. |
| CW | : Cold water. |
| C | : Ceramic resistance (normal heating). |
| Ca | : Ceramic resistance (accelerated heating) |
| TP | : Immersion heater. |
| 1F | : With fittings. |
| 2F | : Without fittings. |
| 3F | : With fittings and another outlet connection. |
| AMI | : With mixing valve. |
| SMI | : Without mixing valve. |
| PUISS | : Power of th appliance. |
| PN | : Appliance with normal pression. |
| LP | : Appliance with low pression. |
| PV | : Appliance with variable power. |
| PF | : Appliance with fixed power. |

IDENTIFICATION PLATE

SERIAL NUMBER

| | | |
|------------------------|---------------------------|--|
| 6 Characters : | 03 09 08 | Manufacturing day Month of manufacture |
| 9 Characters : | 5 9 12 0606 | Sequential number |
| 14 Characters : | SI-V-0B0 45 07 0001 | Sequential number Year of manufacture : → 6 → 2004 Month of manufacture : → 25 → January 43 → July 7 → 2005 → 13 → February 29 → August 8 → 2006 → 32 → March 40 → September etc ... → 35 → April 38 → October → 39 → May 51 → November → 45 → June 12 → December |
| 14 Characters : | 111518 XX 000010 | Month of manufacture Day of manufacture Sequential number Year of manufacture |
| 15 Characters : | 02 11 00001 007843 | Year of manufacture Month of manufacture Product reference Sequential number |
| 21 Characters : | 3200050 XX 08115 0000001 | Product reference Sequential number Year (08) / Manufacturing day (115) |
| 22 Characters : | 3200050 XX 070115 0000001 | Product reference Sequential number Year (07) / Month (01) / Manufacturing day (15) |

The indications mentioned on the prices, commercial or technical literature and the scheme are written for your guidance LOJV,JL and are available at a given time. The CONSTRUCTOR retains the power to modify the presentation, the form, the size, PVMPO@IMIC n. the conception or the material of the products.