

Instruction manual
Инструкция по эксплуатации

Juicer BR1706
Соковыжималка BR1706



СОДЕРЖАНИЕ

EN.....	3
DE.....	12
RU.....	22
KZ.....	32

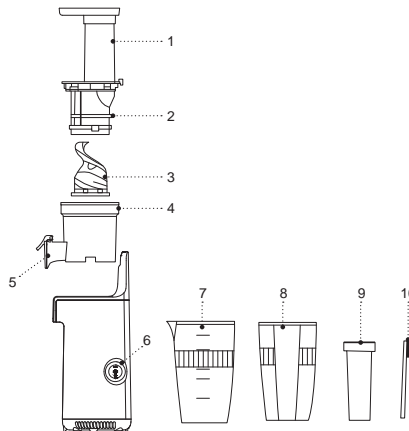
AUGER JUICE EXTRACTOR BR1706

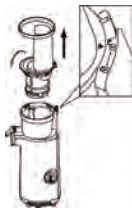
Use the auger juice extractor to make fresh juice from fruits or vegetables.

The auger juice extractors are also called «slow juicers», they press rather than crush fruits or vegetables like centrifugal ones, so with the auger juice extractors cold-pressed juice is obtained. This juice extraction technology makes cell structure, microelements, enzymes and vitamins surely preserved in juice.

DESCRIPTION

1. Feeding chute
2. Filter element
3. Auger
4. Juice collector
5. Juice spout
6. Power/reverse switch «I/O/R»
7. Juice cup
8. Pulp container
9. Pusher
10. Cleaning brush





Pic. 1



Pic. 2



Pic. 3



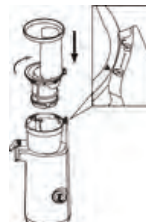
Pic. 4



Pic. 5



Pic. 6



Pic. 7



Pic. 8



Pic. 9



Pic. 10



Pic. 11



Pic. 12



Pic. 13

SAFETY MEASURES AND OPERATION RECOMMENDATIONS

Read the operation manual carefully before using the press Juicer; after reading, keep it for future reference.

ATTENTION! Do not operate the Juicer for more than 20 minute at a time. Please wait a minimum of 10 minute before operating the Juicer again.

- Use the press Juicer for its intended purpose only, as specified in this manual.
- Mishandling the Juicer can lead to its breakage and cause harm to the user or damage to the user's property, which is not covered by warranty.
- Make sure that the operating voltage of the unit indicated on the label corresponds to your home mains voltage.
- Do not connect the unit to external timers or remotely controlled mains sockets.
- Install and use the press Juicer on a flat, dry, steady surface with free access to the mains socket.
- Do not use the unit outdoors.
- It is recommended not to use the unit during lightning storms.
- Protect the Juicer from impacts, falling, vibrations and other mechanical stress.
- Never leave the unit connected to the mains unattended.
- Do not use the unit near heating appliances, heat sources or open flame.
- Do not use the Juicer in places where aerosols are used or sprayed, and in proximity to inflammable liquids.
- Do not use the Juicer in proximity to the kitchen sink, in bathrooms, near swimming pools or other containers filled with water.
- If the Juicer is dropped into water, unplug it immediately, and only then you can take the unit out of water. Contact a service center to check or repair the unit.
- Do not let the power cord touch hot surfaces and sharp edges of furniture.
- Use only the removable parts supplied with the press Juicer.
- Always check the filter element for mechanical damage, if you find any, do not use the juice extractor until you replace the filter element.
- Do not use your fingers or any utensil other than the included plunger while inserting fruits and vegetables into the feeding chute.
- Do not disassemble the Juicer if the device is plugged into the mains.
- Unplug the unit after usage or before cleaning. When unplugging the Juicer, hold the power plug and carefully remove it from the mains socket, do not pull the power cord, as this can lead to its damage and cause a short circuit.

- Do not touch the unit body, the power cord and the power plug with wet hands.
- For child safety reasons do not leave polyethylene bags used as packaging unattended.

ATTENTION! Do not allow children to play with polyethylene bags or packaging film. **Danger of suffocation!**

- The unit is not intended for usage by children.
- Do not leave children unattended to prevent using the unit as a toy.
- Do not allow children to touch the operating surface, the unit body, the power cord or the power plug during operation of the unit.
- Be especially careful if children or disabled persons are near the operating unit.
- During the unit operation and breaks between operation cycles, place the unit out of reach of children.
- The unit is not intended for usage by physically or mentally disabled persons (including children) or by persons lacking experience or knowledge if they are not under supervision of a person who is responsible for their safety or if they are not instructed by this person on the usage of the unit.
- From time to time check the power cord integrity.
- If the power cord is damaged, it should be replaced by the manufacturer, a maintenance service or similar qualified personnel to avoid danger.

- Do not repair the unit by yourself. Do not disassemble the unit by yourself, if any malfunction is detected, and after the unit was dropped, unplug it and apply to the authorized service center.
- To avoid damages, transport the unit in the original package.
- Keep the unit in a dry cool place out of reach of children and disabled persons.

THE UNIT IS INTENDED FOR HOUSEHOLD USE ONLY, DO NOT USE THE UNIT FOR COMMERCIAL OR LABORATORY PURPOSES.

BEFORE THE FIRST USE

After unit transportation or storage at negative temperature, unpack it and wait for 3 hours before using.

- Unpack the unit and remove all the packaging materials.
- Keep the original package.
- Read the safety measures and operating recommendations.
- Check the delivery set.
- Examine the unit for damages, in case of damage do not plug it into the mains.
- Make sure that specified specifications of power supply voltage of the unit correspond to the specifications of your mains. When the unit is used in the mains with 60 Hz frequency, it does not need any additional settings.

- Disassemble the Juicer and wash the parts that come into contact with fruit and vegetables when the Juicer is in use.
- Remove the pusher (9) from the feeding chute (1).
- Turn the feeding chute (1) with the filter element (2) counterclockwise until the «▲» mark matches the «☒» mark on the top of the motor unit and remove them (Fig. 1).
- Remove the juice collector (4) from the motor unit upwards (fig. 2).
- Remove the auger (3) from the juice collector (4) (fig. 3).
- Wash the removed parts (1-2, 3, 4, 9), the juice cup (7), the pulp container (8) and the cleaning brush (10) with warm water and a neutral detergent, then rinse and dry.
- Wipe the motor unit with a slightly damp cloth, then dry.

JUICE EXTRACTOR ASSEMBLING

- Place the juice extractor on an even, dry and stable surface so that an electrical outlet is always easily accessible.
- Make sure before assembling the juice extractor that the silicone seal on the underside of the juice collector (4) is in place (fig. 4).

Notes: the silicone seal must fit tightly into its place of installation, otherwise the juice may flow out of the juice collector (4) during the operation and damage the juice extractor.

- Install the juice collector (4) on the motor unit (fig. 5).
- Install the auger (3) into the juice collector (4), make sure that the auger (3) is correctly installed, it must be mounted on the driving shaft and sink slightly into the juice collector (4), otherwise the installation of the filling chute (1) with the filter element (2) will not be possible.
- Install the feeding chute (1) with the filter element (2) on the juice collector (4), the «▲» mark must match the «☒» mark on the top of the motor unit, turn the feeding chute (1) with the filter element (2) clockwise to «☒» (Fig. 7). Make sure the feeding chute (1) with the filter element (2) are securely fixed.
- Insert the pusher (9) into the feeding chute (1).
- Place the juice cup (7) under the spout (5) and install the pulp container (8) (fig. 8).
- The juice extractor is ready for use.

TIPS

- The Juicer is not intended for extracting juice from fruits, containing high levels of
- pectin or starch, such as bananas, papayas, figs, avocados, and etc., bananas contain little to no juice, only add them for the scent.
- The Juicer is not intended to process too hard high-fiber foods, such as, coconuts, quinces, rheum, and etc.
- Use other types of kitchen appliances to process those kinds of food.

- Only use ripe fruit and fresh vegetables, as they contain most juice.
- Various fruits (apples, grapes, pineapples, and etc.) and vegetables (carrots, beetroot, celery stalks, spinach, cucumbers, tomatoes, and etc.).
- Wash and dry fruit and vegetables thoroughly before extracting juice from them.
- Berries are quick to lose their freshness, wash them immediately before juicing.
- Removing only the thicker skins of such ingredients as, for example, pineapples. Removing the thinner ones is not necessary.
- Choose the apple cultivar according to your needs; remember that the richness of the juice will depend on the cultivar.
- It is desirable to remove cores while pressing apple juice, otherwise the normal juice extractor operation may get affected.
- Apple juice quickly darkens, to slower this process add a few drops of lemon juice.
- Drink juice immediately following its extraction; if left in open air, it will lose its taste and nutritional value.
- If you are planning to store the juice, pour it into an airtight container and keep in a refrigerator.
- Do not store the juice in metal containers – it can acquire metal taste.

MAKING JUICE

ATTENTION!

- Do not operate the Juicer for more than 20 minute at a time. Please wait a minimum of 10 minute before operating the Juicer again.
- Always check the grate filter element (2) for damages before assembling the Juicer.
- Do not use the Juicer if the grate filter element (2) is damaged.
- Prepare fruits or vegetables, wash them thoroughly, remove inedible parts from fruits such as stems, peel pineapple hard shell, remove cherry or peach pits, cut fruits or vegetables into max. 5x2 cm strips or 3x3 cm pieces
- Make sure the juice extractor is correctly assembled, see the paragraph «juice extractor assembling».
- Open the lid of the juice spout (5) (fig. 9).
- Connect the power plug to an electrical outlet.
- Switch the juice extractor on by setting the switch (6) to the «I» position.
- Put fruits or vegetables into the feeding chute (2 1) only while the auger (3) is rotating and slightly press them with the pusher (1 9).
- Only put fruit and vegetables into the feeding chute (9), when the grate auger (4) is rotating, while lightly pushing them through with the plunger (9). Avoid applying excessive force when pushing the plunger (9).

- Do not use your fingers or any utensil other than the included plunger (9) while inserting fruits and vegetables into the feeding chute (1).
- Regularly check the filter element (2) for clogging with pulp, if necessary switch the juice extractor off by setting the power switch (6) to the «0» position, and disconnect the power plug from the electrical outlet.
- Turn the feeding chute (1) with the filter element (2) counterclockwise until the «▲» mark matches the «☐» mark on the top of the motor unit and remove them (Fig. 1), rinse the filter element (2) under running water and install it back by turning the feeding chute (1) with the filter element (2) clockwise to «☐» (Fig. 7). Make sure the feeding chute (1) with the filter element (2) are securely fixed, insert the power cord plug into an electrical outlet, switch the juice extractor on to continue the operation.
- To mix different juices while the juice extractor is running you can close the juice spout (5) lid (fig. 9) and continue pressing juice from another fruit or vegetable, then open the spout (5) lid and pour the juice into the cup (7).
- Close the spout (5) lid when pouring the juice from the cup (7) or when the juice extractor operation is finished.
- If the auger (3) slows down during the juice extractor operation, immediately switch the juice extractor off by setting the power switch (6) to the «0» position, after the auger (3) stops rotating, move the power switch (6) to the «R» position and hold it, the auger (3) reverse

rotation function will be activated. After a few seconds release the power switch (6), disconnect the power cord plug from the electrical outlet, turn the feeding chute (1) with the filter element (2) counterclockwise until the «▲» mark matches the «☐» mark on the top of the motor unit, and remove them (fig. 1), eliminate the cause of the auger (3) slow rotation. Having eliminated the cause, install the feeding chute (1) with the filter element (2) and continue using the juice extractor.

- Once the juice container (7) has filled up, turn the Juicer off and pour the juice into a suitable container, place the juice container (7) under the juice spout (5).
 - Keep the juice container (8) full, turn off the juicer and remove the juice from the container (8).
- Note:** for your convenience, place an appropriately-sized bag into the pulp container (10) to remove the pulp together with the bag.
- Once you finish using the Juicer, turn it off by setting the power (6) to «0», and unplug it from the mains.

OVERHEATING PROTECTION

- Exceeding the operating temperature will trigger the overheating protection and the Juicer will turn off.
- Should the Juicer turn off on its own, set the power (6) to «0» and unplug it from the mains.
- Depending on the room temperature, the electric motor can take from 20 to 50 minutes to cool down,

once it has cooled down, plug it into the mains and turn the Juicer on.

- Should the Juicer fail to turn on, wait for some time, if nothing changes this might indicate another defect. In this case, please, contact an authorized service center.
- Do not exceed the recommended operation time.

CLEANING AND CARE

- Perform cleaning of the Juicer after each use.
- Turn off the Juicer and unplug it from the mains before cleaning.
- Remove the pusher (9) from the feeding chute (1).
- Turn the feeding chute (1) with the filter element (2) counterclockwise until the «▲» mark matches the «☒» mark on the top of the motor unit and remove them (Fig. 1).
- Remove the juice collector (4) from the motor unit upwards (fig. 2).
- Remove the auger (3) from the juice collector (4) (fig. 3).
- Remove the silicone seal on the bottom of the juice collector (4) (fig. 10).
- Remove the seal ring from the central part of the juice collector by pressing it and pushing it inside the juice collector (4) (fig. 11).
- Wash the removed parts (1-2, 3, 4, 9), the juice cup (7), the pulp container (8) and the seal ring with warm water and a neutral detergent, then rinse and dry.

- Install the silicone seal on the bottom of the juice collector (4) (fig. 4).
- Place the seal ring back to its place so that one seal rib remains outside the juice collector (4) (fig. 13) and the other ones are inside the juice collector (4).
- Use the brush (10) to clean the filter element (2) and other hard-to-reach places.
- Do not wash the removable parts of the Juicer in a dishwasher.
- Clean the motor unit with a slightly damp tissue, then wipe it dry.
- Do not use metal scouring pads, abrasives, or solvents for cleaning the Juicer.
- Fruits and vegetables with painting properties, blackberries, carrots, or beetroot, for example, can color certain parts of the Juicer. If this happens you can try clearing the paint with a dry tissue soaked in vegetable oil, followed by washing the parts with warm water and a neutral detergent, rinsing, and drying them.

STORAGE

- Perform a cleaning of the Juicer before taking it away for storage.
- Keep the Juicer in a dry cool place unreachable by children or people with disabilities.

DELIVERY SET

- Juicer – 1pc.
- Instruction Manual – 1pc.

TECHNICAL SPECIFICATIONS

- Power supply: 220-240 V, ~ 50-60 Hz
- Rated input power: 130 W
- Juice container volume – 0.6 l
- Pulp container volume – 0.45 l
- Troubleshooting

RECYCLING



To prevent possible damage to the environment or harm to the health of people by uncontrolled waste disposal, after service life expiration of the unit or the batteries (if included), do not discard them with usual household waste, deliver the unit and the batteries to specialized centers for further recycling.

The waste generated during the disposal of the unit is subject to mandatory collection and consequent disposal in the prescribed manner.

For further information about recycling of this product apply to a local municipal administration, a disposal service or to the shop where you purchased this product.

The manufacturer reserves the right to change the appearance, design and specifications not affecting general operation principles of the unit, without prior notice.

The unit operating life is 3 years

The manufacturing date is specified in the serial number.

In case of any malfunctions promptly apply to the authorized service center.

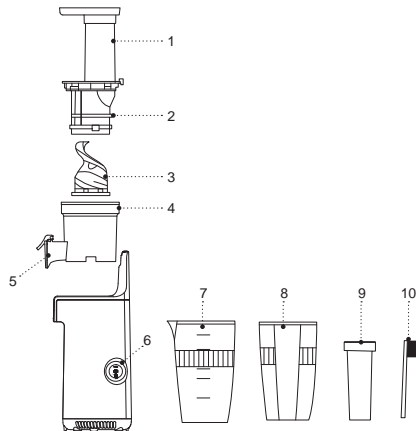
SCHNECKENENTSAFTER BR1706

Verwenden Sie den Schneckenentsafter, um frischen Saft aus Obst oder Gemüse zu machen.

Die Schneckenentsafter werden auch «langsame Entsafter» genannt, sie pressen Obst oder Gemüse, anstatt sie zu zerkleinern wie bei Zentrifugalensaftern, sodass mit den Schneckenensaftern kaltgepresster Saft gewonnen wird. Mit solcher Entsaftungstechnologie werden Zellstruktur, Spurenelemente, Enzyme und Vitamine im Saft garantiert erhalten.

BESCHREIBUNG

1. Füllrohr
2. Filterelement
3. Schnecke
4. Saftsammler
5. Saftauslauf
6. Netz-/Reversierschalter «I/O/R»
7. Saftbehälter
8. Tresterbehälter
9. Stampfer
10. Reinigungsbürste



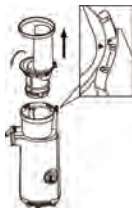


Abb. 1



Abb. 2



Abb. 3



Abb. 4



Abb. 5



Abb. 6

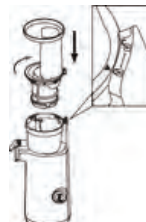


Abb. 7



Abb. 8



Abb. 9



Abb. 10



Abb. 11



Abb. 12



Abb. 13

SICHERHEITSHINWEISE UND GEBRAUCHSANLEITUNG

Bevor Sie den Entsafter benutzen, lesen Sie die Bedienungsanleitung aufmerksam durch und bewahren Sie sie zum späteren Gebrauch auf.

ACHTUNG! Die maximal zulässige Dauer eines ununterbrochenen Entsafterbetriebszyklus beträgt nicht mehr als 20 Minute mit einer nachfolgenden Pause von mindestens 10 Minute.

- Benutzen Sie den Entsafter nur bestimmungsmäßig und laut dieser Bedienungsanleitung.
- Der Missbrauch des Geräts kann zu seiner Störung führen, den Benutzer oder sein Eigentum beschädigen und ist kein Garantiefall.
- Vergewissern Sie sich, dass die auf dem Bezeichnungszettel angegebene Betriebsspannung und die Netzspannung übereinstimmen.
- Schließen Sie das Gerät an keine externen Timer oder elektrischen Steckdosen mit Fernbedienung an.
- Stellen und benutzen Sie den Entsafter auf einer ebenen, trockenen, standfesten und Oberfläche mit immer freiem Zugang zur Steckdose auf.
- Es ist nicht gestattet, das Gerät draußen zu benutzen.
- Es ist nicht empfohlen, das Gerät bei Gewitter zu benutzen.
- Schützen Sie den Entsafter vor Stößen, Stürzen, Vibrationen und anderen mechanischen Einwirkungen.
- Lassen Sie das ans Stromnetz angeschlossene Gerät nie unbeaufsichtigt.
- Benutzen Sie das Gerät in direkter Nähe von Heizgeräten, Wärmequellen oder offenem Feuer nicht.
- Es ist verboten, den Entsafter an den Orten, wo Sprays verwendet werden, sowie in der Nähe von leichtentzündbaren Flüssigkeiten, zu benutzen.
- Benutzen Sie den Entsafter in der Nähe von Spülbecken, in Badezimmern und neben den Wasserbecken oder anderen mit Wasser gefüllten Behältern nicht.
- Falls der Entsafter ins Wasser gefallen ist, ziehen Sie den Netzstecker aus der Steckdose sofort heraus, erst danach holen Sie das Gerät aus dem Wasser heraus. Wenden Sie sich an einen autorisierten Kundendienst, um das Gerät prüfen oder reparieren zu lassen.
- Achten Sie darauf, dass das Netzkabel heiße Oberflächen und scharfe Möbelkanten nicht berührt.
- Benutzen Sie nur die mitgelieferten abnehmbaren Entsafterteile.
- Prüfen Sie das Filterelement immer auf mechanische Beschädigungen. Wenn Sie diese feststellen, verwenden Sie den Entsafter nicht, bis das Filterelement ersetzt wird.
- Während des Betriebs verwenden Sie nur den mitgelieferten Stampfer, schieben Sie Obst oder Gemüse mit Ihren Fingern oder anderen Gegenständen ins Füllrohr nicht durch.

- Nehmen Sie den Entsafter nicht auseinander, wenn der Netzstecker an eine Steckdose angeschlossen ist.
- Trennen Sie das Gerät nach dem Gebrauch oder vor der Reinigung vom Stromnetz unbedingt ab. Wenn Sie den Entsafter vom Stromnetz abtrennen, halten Sie den Netzstecker fest und ziehen Sie ihn aus der Steckdose vorsichtig heraus; ziehen Sie das Netzkabel nicht, da es zu seiner Beschädigung und einem Kurzschluss führen kann.
- Berühren Sie das Gerätegehäuse, das Netzkabel und den Netzstecker mit nassen Händen nicht.
- Aus Kindersicherheitsgründen lassen Sie Plastiktüten, die als Verpackung verwendet werden, nie ohne Aufsicht.
- Während des Betriebs und der Pausen zwischen den Betriebszyklen stellen Sie das Gerät an einen für Kinder unzugänglichen Ort auf.
- Dieses Gerät ist für Personen (darunter Kinder) mit Körper-, Nerven- und Geistesstörungen oder Personen ohne ausreichende Erfahrung und Kenntnisse nicht geeignet, wenn sie sich unter Aufsicht der Person, die für ihre Sicherheit verantwortlich ist, nicht befinden oder entsprechende Anweisungen über die Nutzung des Geräts nicht bekommen haben.
- Prüfen Sie die Unversehrtheit des Netzkabels von Zeit zu Zeit.
- Wenn das Netzkabel beschädigt ist, soll es vom Hersteller, vom Kundendienst oder von ähnlich qualifiziertem Personal ersetzt werden, um Gefahren zu vermeiden.

ACHTUNG! Lassen Sie Kinder mit Plastiktüten oder Verpackungsfolien nicht spielen. **Erstickungsgefahr!**

- Das Gerät ist nicht für Kinder bestimmt.
- Beaufsichtigen Sie Kinder, damit sie das Gerät als Spielzeug nicht benutzen.
- Lassen Sie Kinder die Arbeitsfläche, das Gerätegehäuse, das Netzkabel oder den Netzstecker während des Gerätebetriebs nicht berühren.
- Besondere Vorsichtsmaßnahmen sind in den Fällen angesagt, wenn sich Kinder oder behinderte Personen während des Gerätebetriebs in der Nähe aufhalten.
- Es ist nicht gestattet, das Gerät selbständig zu reparieren. Es ist nicht gestattet, das Gerät selbständig auseinanderzunehmen; bei der Feststellung jeglicher Beschädigungen, sowie im Sturzfall, trennen Sie es vom Stromnetz ab und wenden Sie sich an einen Kundendienst.
- Um Beschädigungen zu vermeiden, transportieren Sie das Gerät nur in der Fabrikverpackung.
- Bewahren Sie das Gerät an einem trockenen, kühlen und für Kinder und behinderte Personen unzugänglichen Ort auf.

DAS GERÄT IST NUR FÜR DEN GEBRAUCH IM HAUSHALT GEEIGNET, ES IST VERBOTEN, DAS GERÄT ZU GESCHÄFTS- ODER LABORZWECKEN ZU BENUTZEN.

VOR DER ERSTEN NUTZUNG

Packen Sie das Gerät aus und warten Sie 3 Stunden, bevor Sie es bei einer negativen Temperatur transportieren oder bewahren.

- Packen Sie das Gerät aus und entfernen Sie alle Verpackungsmaterialien.
- Bewahren Sie die Originalverpackung auf.
- Lesen Sie die Sicherheitsmaßnahmen und Bedienungsempfehlungen durch.
- Prüfen Sie die Komplettheit.
- Prüfen Sie das Gerät auf Beschädigungen; wenn es beschädigt ist, schließen Sie es ans Stromnetz nicht an.
- Vergewissern Sie sich, dass die angegebenen Parameter der Geräteversorgungsspannung und die Stromnetzparameter übereinstimmen. Beim 60-Hz-Stromnetz-Gerätebetrieb sind keine zusätzlichen Maßnahmen erforderlich.
- Nehmen Sie den Entsafter auseinander und reinigen Sie die während des Entsafterbetriebs mit Obst oder Gemüse zu kontaktierenden Teile.
- Nehmen Sie den Stampfer (9) aus dem Füllrohr (1) heraus.

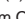

- Drehen Sie das Füllrohr (1) mit dem Filterelement (2) entgegen dem Uhrzeigersinn, bis das Zeichen «▲» und das Zeichen «☒» am Oberteil der Motoreinheit zusammenfallen, und nehmen Sie diese ab (Abb. 1).
- Bauen Sie den Saftsammler (4) von der Motoreinheit (Abb. 2) nach oben aus.
- Entfernen Sie die Schnecke (3) vom Saftsammler (4) (Abb. 3).
- Waschen Sie die ausgebauten Teile (1-2, 3, 4, 9), den Saftbehälter (7), den Tresterbehälter (8) und die Reinigungsbürste (10) mit Warmwasser und einem neutralen Reinigungsmittel, spülen und trocknen Sie diese ab.
- Wischen Sie die Motoreinheit mit einem weichen, leicht angefeuchteten Tuch, dann trocknen Sie sie ab.

ZUSAMMENBAU DES ENTSAFTERS

- Stellen Sie den Entsafter auf eine ebene, trockene und standfeste Oberfläche mit einer immer leichtzugänglichen Steckdose auf.
- Vergewissern Sie sich vor dem Zusammenbau des Entsafters, dass die Silikondichtung am Unterteil des Saftsammlers (4) richtig aufgestellt ist (Abb. 4).

Anmerkung: die Silikondichtung muss fest an ihrer Einbaustelle sitzen, sonst kann Saft während des Betriebs aus dem Saftsammler (4) herausfließen und den Entsafter beschädigen.

- Setzen Sie den Saftsammler (4) auf die Motoreinheit (Abb. 5) auf.

- Setzen Sie die Schnecke (3) in den Saftsammler (4) ein und vergewissern Sie sich, dass die Schnecke (3) richtig eingesetzt ist, sie muss auf der Antriebswelle sitzen und sich leicht in den Saftsammler (4) herunterlassen, anderenfalls ist die Aufstellung des Füllrohrs (1) mit dem Filterelement (2) unmöglich.
- Stellen Sie das Füllrohr (1) mit dem Filterelement (2) auf den Saftsammler (4) auf, das Zeichen «▲» und das Zeichen «» am Oberteil der Motoreinheit sollen zusammenfallen, drehen Sie das Füllrohr (1) mit dem Filterelement (2) im Uhrzeigersinn auf «» (Abb. 7). Vergewissern Sie sich, dass das Füllrohr (1) mit dem Filterelement (2) sicher befestigt sind.
- Setzen Sie den Stampfer (9) ins Füllrohr (1) ein.
- Stellen Sie den Saftbehälter (7) unter den Auslauf (5) und stellen Sie den Tresterbehälter (8) auf (Abb. 8).
- Der Entsafter ist betriebsbereit.
- Verwenden Sie nur reifes Obst und frisches Gemüse, da sie mehr Saft enthalten.
- Für Saft können verschiedene Früchte (Äpfel, Weintrauben, Ananas usw.) oder Gemüse (Karotten, Rüben, Selleriestangen, Spinat, Gurken, Tomaten usw.) verwendet werden.
- Spülen Sie Obst oder Gemüse gründlich vor dem Entsaften und trocknen Sie diese ab.
- Beeren verlieren schnell ihre Frische, so spülen Sie sie kurz vor dem Entsaften ab.
- Dünnschaliges Obst oder Gemüse müssen nicht unbedingt geschält werden, sondern nur dickschalig wie Ananas.
- Wählen Sie Äpfel nach Ihren Bedürfnissen, berücksichtigen Sie, dass die Saftsättigung von der Apfelsorte abhängt.
- Beim Apfelensaften ist es ratsam, Kerne zu entfernen, sonst können sie den normalen Entsafterbetrieb stören.
- Apfelsaft dunkelt schnell, fügen Sie ein paar Tropfen Zitronensaft hinzu, um das Dunkeln zu verlangsamen.
- Trinken Sie den Saft sofort nach dem Entsaften, bei längerer Aufbewahrung an der Luft verliert der Saft seinen Geschmack und Nährwert.
- Wenn Sie den Saft aufbewahren möchten, gießen Sie ihn in einen sauberen Behälter mit luftdichtem Deckel über und bewahren Sie ihn im Kühlschrank auf.
- Es ist nicht empfohlen, den Saft in einem Metallbehälter aufzubewahren, da der Saft einen angemessenen Nachgeschmack bekommen kann.

NUTZHINWEISE

- Der Entsafter ist nicht zum Entsaften von Früchten mit einem hohen
- Pektin- oder Stärkegehalt, wie Bananen, Papaya, Feigen, Avocados usw. bestimmt; Bananen sind fast saftlos, fügen Sie sie nur zum Aromatisieren hinzu.
- Der Entsafter ist nicht zum Bearbeiten von sehr harten und faserigen Nahrungsmitteln wie Kokosnüsse, Quitten, Rhabarber usw. bestimmt.
- Um solches Obst oder Gemüse zu bearbeiten, verwenden Sie andere Küchengeräte.

ENTSAFTEN

ACHTUNG!

- Die maximal zulässige Dauer eines ununterbrochenen Entsafterbetriebszyklus beträgt nicht mehr als 20 Minute mit einer nachfolgenden Pause von mindestens 10 Minute.
- Vor dem Zusammensetzen des Entsafters prüfen Sie immer das Filterelement (2) auf mechanische Beschädigungen.
- Verwenden Sie den Entsafter nicht, wenn das Filterelement (2) mechanisch beschädigt ist.
- Bereiten Sie Obst oder Gemüse vor, waschen Sie sie gründlich, entfernen Sie nicht eßbare Teile von Früchten wie Stängel, schneiden Sie harte Schale von Ananas ab, entfernen Sie Kirsch- oder Pfirsichkerne, schneiden Sie Obst oder Gemüse in max. 5x2 cm Streifen oder 3x3 cm Stücke
- Vergewissern Sie sich, dass der Entsafter richtig zusammengebaut ist, siehe den Abschnitt «Zusammenbau des Entsafters».
- Öffnen Sie den Deckel des Saftauslaufs (5) (Abb. 9).
- Stecken Sie den Netzstecker in eine Steckdose ein.
- Schalten Sie den Entsafter ein, indem Sie den Schalter (6) auf «I» stellen.
- Legen Sie Obst oder Gemüse ins Füllrohr (1) nur bei drehender Schnecke (3) ein und drücken Sie darauf leicht mit dem Stampfer (9).
- Legen Sie Obst oder Gemüse ins Füllrohr (1) nur bei drehendem Schnecke (3) ein und drücken Sie darauf leicht mit dem Stampfer (1). Es ist nicht empfohlen, auf den Stampfer (1) stark zu drücken.
- Während des Betriebs verwenden Sie nur den mitgelieferten Stampfer (9), schieben Sie Obst oder Gemüse mit Ihren Fingern oder anderen Gegenständen ins Füllrohr (1) nicht durch.
- Prüfen Sie das Filterelement (2) regelmäßig auf Verstopfung mit Trester, schalten Sie den Entsafter gegebenenfalls aus, indem Sie den Netzschalter (6) auf «0» stellen, und ziehen Sie den Netzstecker aus der Steckdose heraus.
- Drehen Sie das Füllrohr (1) mit dem Filterelement (2) entgegen dem Uhrzeigersinn, bis das Zeichen «▲» und das Zeichen «☉» am Oberteil der Motoreinheit zusammenfallen, und nehmen Sie diese ab (Abb. 1), spülen Sie das Filterelement (2) unter fließendem Wasser und stellen Sie es zurück auf, indem Sie das Füllrohr (1) mit dem Filterelement (2) im Uhrzeigersinn auf «☉» drehen (Abb. 7). Vergewissern Sie sich, dass das Füllrohr (1) mit dem Filterelement (2) sicher befestigt sind, stecken Sie den Netzstecker in eine Steckdose ein, schalten Sie den Entsafter für weiteren Betrieb ein.
- Um verschiedene Säfte bei laufendem Entsafter zu mischen, können Sie den Deckel des Saftauslaufs (5) schließen (Abb. 9) und andere Obst oder Gemüse weiter entsaften, dann den Deckel des Saftauslaufs (5) öffnen und den Saft in den Behälter (7) abgießen.
- Schließen Sie den Deckel des Saftauslaufs (5), wenn Sie den Saft aus dem Behälter (7) abgießen oder wenn der Entsafterbetrieb beendet ist.

- Wenn sich die Schnecke (3) während des Entsafterbetriebs verlangsamt, schalten Sie den Entsafter sofort aus, indem Sie den Netzschalter (6) auf «0» stellen, nachdem die Schnecke (3) stoppt, stellen Sie den Netzschalter (6) auf «R» und halten, dabei wird die Reversierfunktion der Schnecke (3) aktiviert. Nach einigen Sekunden lassen Sie den Netzschalter (6) los, ziehen Sie den Netzstecker aus der Steckdose heraus, drehen Sie das Füllrohr (1) mit dem Filterelement (2) entgegen dem Uhrzeigersinn, bis das Zeichen «▲» und das Zeichen «☒» am Oberteil der Motoreinheit zusammenfallen, und nehmen Sie diese ab (Abb. 1), beseitigen Sie die Ursache für Verlangsamung der Schnecke (3). Nach der Ursachenbeseitigung stellen Sie das Füllrohr (1) mit dem Filterelement (2) auf und betreiben Sie den Entsafter weiter.
- Wenn der Saftbehälter (7) gefüllt ist, schalten Sie den Entsafter aus und gießen Sie den Saft in einen geeigneten Behälter ab, stellen Sie den Behälter (7) unter den Saftauslauf (5).
- Beobachten Sie die Entwicklung des Quetschbehälters (8), schalten Sie den Entsafter aus und entfernen Sie den Saft aus dem Behälter (8).

Anmerkung: zur bequemen Tresterentfernung ist es empfohlen, einen größgeeigneten Beutel in den Behälter (8) einzustecken und Trester zusammen mit dem Beutel zu entfernen.

- Schalten Sie den Entsafter nach dem Gebrauch aus, indem Sie den Netz (6) auf «0» stellen, ziehen Sie den Netzstecker aus der Steckdose heraus.

ÜBERHITZUNGSSCHUTZ

- Wird die Betriebstemperatur des Elektromotors überschritten, spricht der Überhitzungsschutz an, und der Entsafter wird ausgeschaltet.
- Wenn der Entsafter während des Betriebs spontan ausgeschaltet wird, stellen Sie den Netz (6) auf «0» und ziehen Sie der Netzstecker aus der Steckdose heraus.
- Abhängig von der Raumtemperatur kann die Abkühlzeit des Elektromotors zwischen 20 und 50 Minuten betragen, nachdem der Elektromotor abkühlt, stecken Sie der Netzstecker in eine Steckdose ein und schalten Sie den Entsafter ein.
- Wenn der Entsafter nicht eingeschaltet wird, warten Sie noch einige Zeit, bei keinen Änderungen kann es auf eine andere Störung hindeuten, wenden Sie sich in diesem Fall an einen autorisierten Kundendienst.
- Befolgen Sie die empfohlene Entsafter-Betriebszeit.

REINIGUNG UND PFLEGE

- Reinigen Sie den Entsafter nach jedem Gebrauch.
- Schalten Sie den Entsafter vor dem Reinigen aus und ziehen Sie den Netzstecker aus der Steckdose heraus.
- Tauchen Sie die Motoreinheit, das Netzkabel und den Netzstecker ins Wasser oder jegliche andere Flüssigkeiten nicht ein.
- Nehmen Sie den Stampfer (9) aus dem Füllrohr (1) heraus.

- Drehen Sie das Füllrohr (1) mit dem Filterelement (2) entgegen dem Uhrzeigersinn, bis das Zeichen «▲» und das Zeichen «☐» am Oberteil der Motoreinheit zusammenfallen, und nehmen Sie diese ab (Abb. 1).
- Bauen Sie den Saftsammler (4) von der Motoreinheit (Abb. 2) nach oben aus.
- Entfernen Sie die Schnecke (3) vom Saftsammler (4) (Abb. 3).
- Entfernen Sie die Silikondichtung am Unterteil des Saftsammlers (4) (Abb. 10).
- Entfernen Sie den Dichtring vom Mittelteil des Saftsammlers, indem Sie auf ihn drücken und in den Saftsammler durchschieben (4) (Abb. 11).
- Waschen Sie die ausgebauten Teile (1-2, 3, 4, 9), den Saftbehälter (7), den Tresterbehälter (8) und den Dichtring mit Warmwasser und einem neutralen Reinigungsmittel, spülen und trocknen Sie diese ab.
- Setzen Sie die Silikondichtung am Unterteil des Saftsammlers (4) auf (Abb. 4).
- Setzen Sie den Dichtring zurück so auf, dass eine Dichtrippe außerhalb des Saftsammlers (4) (Abb. 13) und die anderen innerhalb des Saftsammlers (4) positioniert sind.
- Verwenden Sie die Bürste (10), um das Filterelement (2) und andere schwer zugängliche Stellen zu reinigen.
- Spülen Sie die abnehmbaren Teile des Entsafters in keiner Geschirrspülmaschine ab.
- Wischen Sie die Motoreinheit mit einem leicht angefeuchteten Tuch, dann trocknen Sie sie ab.
- Verwenden Sie keine harten Schwämme, Scheuer- oder Lösungsmittel, um den Entsafter zu reinigen.
- Obst und Gemüse mit färbenden Eigenschaften wie Brombeeren, Karotten oder Rüben können die Teile des Entsafters färben. In diesem Fall können Sie ein trockenes, mit Pflanzenöl angefeuchtetes Tuch verwenden. Waschen Sie die Teile nach dem Reinigen mit Warmwasser und einem milden Reinigungsmittel, dann spülen und trocknen Sie sie ab.

AUFBEWAHRUNG

- Reinigen Sie den Entsafter, bevor Sie ihn zur Aufbewahrung wegnehmen.
- Bewahren Sie den Entsafter an einem trockenen, kühlen und für Kinder und behinderte Personen unzugänglichen Ort auf.

LIEFERUMFANG

- Entsafter – 1 Stk.
- Bedienungsanleitung – 1 Stk.

TECHNISCHE EIGENSCHAFTEN

- Stromversorgung: 220-240 V ~ 50-60 Hz
- Nennleistungsaufnahme: 130 W
- Saftbehälter-Fassungsvermögen – 0.6 l
- Tresterbehälter-Fassungsvermögen – 0.45 l

ENTSORGUNG



Um ein mögliches Schaden für die Umwelt oder die menschliche Gesundheit durch unkontrollierte Abfallentsorgung zu vermeiden, werfen Sie das Gerät und die Batterien (falls mitgeliefert) nach Beendigung ihrer Nutzungsdauer zusammen mit gewöhnlichen

Haushaltsabfällen nicht weg, geben Sie das Gerät und die Batterien in die Spezialpunkte für weitere Entsorgung über.

Die bei der Entsorgung der Erzeugnisse entstehenden Abfälle sind unbedingt zu sammeln und weiter ordnungsmäßig zu entsorgen.

Mehrere Information zur Entsorgung dieses Lebensmittel erhalten Sie bei Ihrer lokalen Stadtverwaltung, einem Abfallentsorgungsdienst oder beim Geschäft, wo Sie dieses Lebensmittel gekauft haben.

Der Hersteller behält sich das Recht vor, das Design, die Konstruktion und die das gemeine Gerätebetriebsprinzip nicht beeinflussende technische Eigenschaften ohne Vorbenachrichtigung zu verändern.

Die Gerätenutzungsdauer beträgt 3 Jahre

Das Herstellungsdatum ist in der Fabrikationsnummer angegeben.

Bei Störungsfeststellung wenden Sie sich baldigst an einen autorisierten Kundendienst.

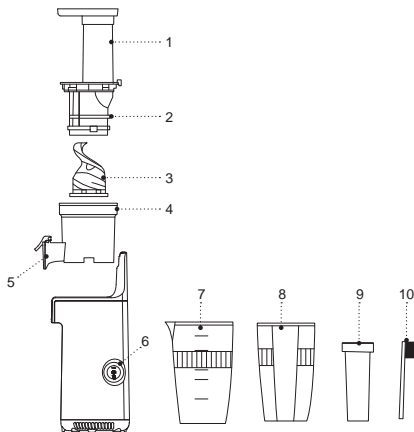
СОКОВЫЖИМАЛКА ШНЕКОВАЯ BR1706

Используйте шнековую соковыжималку для приготовления свежего сока из фруктов или овощей.

Шнековые соковыжималки называют «медленными соковыжималками», они давят, а не измельчают фрукты или овощи, как центробежные соковыжималки, поэтому в шнековых соковыжималках, получается сок холодного отжима. Такая технология отжима сока, гарантируют сохранность в соке клеточной структуры, микроэлементов, ферментов и витаминов.

ОПИСАНИЕ

1. Загрузочная горловина
2. Фильтрующий элемент
3. Шнек
4. Сокоборник
5. Носик слива сока
6. Выключатель питания/включение реверса «L/O/R»
7. Ёмкость для сока
8. Ёмкость для отжимок
9. Толкатель
10. Щёточка для чистки



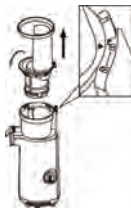


Рис. 1



Рис. 2



Рис. 3



Рис. 4



Рис. 5



Рис. 6

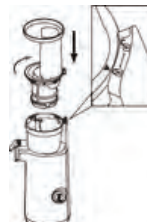


Рис. 7



Рис. 8



Рис. 9



Рис. 10



Рис. 11



Рис. 12



Рис. 13

МЕРЫ БЕЗОПАСНОСТИ И РЕКОМЕНДАЦИИ ПО ЭКСПЛУАТАЦИИ

Перед использованием соковыжималки внимательно ознакомьтесь с руководством по эксплуатации, после прочтения сохраните его для использования в будущем.

ВНИМАНИЕ! Максимально допустимое время непрерывного цикла работы соковыжималки составляет не более 20 минут с последующим перерывом не менее 10 минут.

- Используйте соковыжималку только по её прямому назначению, как изложено в данной инструкции.
- Неправильное обращение с соковыжималкой может привести к её поломке, причинению вреда пользователю или его имуществу и не является гарантийным случаем.
- Убедитесь, что рабочее напряжение устройства, указанное на этикетке, соответствует напряжению электросети.
- Запрещается подключать устройство к внешним таймерам или к электрическим розеткам с дистанционным управлением.
- Устанавливайте и используйте соковыжималку на ровной, сухой, устойчивой поверхности так, чтобы доступ к электрической розетке всегда был свободным.
- Запрещается использовать устройство вне помещений.
- Не рекомендуется использовать устройство во время грозы.
- Оберегайте соковыжималку от ударов, падений, вибраций и иных механических воздействий.
- Не оставляйте устройство, включённое в сеть, без присмотра.
- Не используйте устройство в непосредственной близости от нагревательных приборов, источников тепла или открытого пламени.
- Запрещается использовать соковыжималку в местах, где используются или распыляются аэрозоли, а также вблизи от легковоспламеняющихся жидкостей.
- Не используйте соковыжималку вблизи от кухонной раковины, в ванных комнатах, около бассейнов или других ёмкостей, наполненных водой.
- Если соковыжималка упала в воду, немедленно выньте вилку шнура питания из электрической розетки, и только после этого можно достать устройство из воды. Обратитесь в сервисный центр для осмотра или ремонта устройства.
- Не допускайте, чтобы шнур питания касался горячих поверхностей и острых кромок мебели.
- Используйте только те детали соковыжималки, которые входят в комплект поставки.
- Всегда проверяйте на предмет механических повреждений фильтрующий элемент, если вы обнаружите механические повреждения, не используйте соковыжималку, до тех пор, пока не замените фильтрующий элемент.

- Во время работы пользуйтесь только толкателем, входящим в комплект поставки, запрещается про-талкивать фрукты или овощи в загрузочную горловину пальцами или любыми другими предметами.
 - Запрещается разбирать соковыжималку, если вилка шнура питания вставлена в электрическую розетку.
 - Отключайте устройство от электросети после использования или перед чисткой. При отключении соковыжималки от электрической сети держитесь за вилку шнура питания и аккуратно выньте её из электрической розетки, не тяните за шнур питания — это может привести к его повреждению и вызвать короткое замыкание.
 - Не прикасайтесь к корпусу устройства, к шнуру питания и к вилке шнура питания мокрыми руками.
 - Из соображений безопасности детей не оставляйте полиэтиленовые пакеты, используемые в качестве упаковки, без надзора.
- ВНИМАНИЕ!** Не разрешайте детям играть с полиэтиленовыми пакетами или упаковочной плёнкой.
Опасность удушья!
- Устройство не предназначено для использования детьми.
 - Осуществляйте надзор за детьми, чтобы не допустить использования устройства в качестве игрушки.
 - Не разрешайте детям прикасаться к корпусу устройства, к шнуру питания или к вилке шнура питания во время работы устройства.
 - Будьте особенно внимательны, если поблизости от работающего устройства находятся дети или лица с ограниченными возможностями.
 - Во время работы и в перерывах между рабочими циклами размещайте устройство в местах, недоступных для детей.
 - Прибор не предназначен для использования лицами (включая детей) с пониженными физическими, психическими, сенсорными или умственными способностями, или при отсутствии у них опыта или знаний, если они не находятся под контролем или не проинструктированы лицом, ответственным за их безопасность, об использовании прибора.
 - Периодически проверяйте целостность шнура питания.
 - При повреждении шнура питания его замену, во избежание опасности, должны производить изготовитель, сервисная служба или подобный квалифицированный персонал.
 - Запрещается самостоятельно ремонтировать устройство. Не разбирайте устройство самостоятельно, при возникновении любых неисправностей, а также после падения устройства отключите его от электросети и обратитесь в авторизованный сервисный центр.


- Во избежание повреждений перевозите устройство в заводской упаковке.
- Храните устройство в сухом прохладном месте, недоступном для детей и людей с ограниченными возможностями.

УСТРОЙСТВО ПРЕДНАЗНАЧЕНО ТОЛЬКО ДЛЯ БЫТОВОГО ИСПОЛЬЗОВАНИЯ, ЗАПРЕЩАЕТСЯ ИСПОЛЬЗОВАТЬ УСТРОЙСТВО В КОММЕРЧЕСКИХ ИЛИ ЛАБОРАТОРНЫХ ЦЕЛЯХ.

ПЕРЕД ПЕРВЫМ ИСПОЛЬЗОВАНИЕМ

После транспортировки или хранения устройства при отрицательной температуре распакуйте его и подождите 3 часа перед использованием.

- Распакуйте устройство и удалите все упаковочные материалы.
- Сохраните заводскую упаковку.
- Ознакомьтесь с мерами безопасности и рекомендациями по эксплуатации.
- Проверьте комплектацию.
- Осмотрите устройство на наличие повреждений, при наличии повреждений не включайте его в сеть.
- Убедитесь, что указанные параметры напряжения питания устройства соответствуют параметрам электрической сети. При использовании устройства в электрической сети частотой 60 Гц, никаких дополнительных действий не требуется.

- Разберите соковыжималку и промойте детали, которые будут контактировать с фруктами или овощами при работе соковыжималки.
- Выньте толкатель (9) из загрузочной горловины (1).
- Поверните загрузочную горловину (1) с фильтрующим элементом (2) против часовой стрелке до совмещения метки «▲» с меткой «» на верхней части моторного блока и снимите (рис. 1).
- Снимите сокосборник (4) с моторного блока по направлению вверх (рис. 2).
- Из сокосборника (4) выньте шнек (3) (рис. 3).
- Промойте снятые детали (1-2, 3, 4, 9), ёмкость для сока (7), ёмкость для отжимок (8), щёточку для чистки (10), тёплой водой с нейтральным моющим средством, ополосните и просушите.
- Моторный блок протрите слегка влажной тканью, после чего вытрите насухо.

СБОРКА СОКОВЫЖИМАЛКИ

- Установите соковыжималку на ровную, сухую и устойчивую поверхность, так, чтобы доступ к электрической розетке всегда был свободным.
- Перед сборкой соковыжималки, убедитесь, что силиконовый уплотнитель, расположенный на нижней стороне сокосборника (4), установлен на место (рис. 4).

Примечание: силиконовый уплотнитель должен плотно входить в место его установки, в противном случае, во время работы сок может вытекать из сокосборника (4) и стать причиной повреждения соковыжималки.

- Установите сокосборник (4) на моторный блок (рис. 5).
- В сокосборник (4) установите шнек (3), следите за правильной установкой шнека (3), он должен установиться на приводной вал и слегка опуститься в сокосборник (4), в противном случае установка загрузочной горловины (1) с фильтрующим элементом (2), будет невозможна.
- Установите загрузочную горловину (1) с фильтрующим элементом (2) на сокосборник (4), метка «▲» должна совпасть с меткой «▽» на верхней части моторного блока, поверните загрузочную горловину (1) с фильтрующим элементом (2) по часовой стрелке в положение «▽» (рис. 7). Убедитесь, что загрузочная горловина (1) с фильтрующим элементов (2) надёжно зафиксированы.
- Вставьте толкатель (9) в загрузочную горловину (1).
- Под носик (5) установите ёмкость для сока (7), установите ёмкость для отжимок (8) (рис. 8).
- Соковыжималка готова к работе.
- Для переработки подобных фруктов или овощей, пользуйтесь другими видами кухонной техники.
- Используйте только спелые фрукты и свежие овощи, так как в них содержится больше сока.
- Для сока можно использовать различные фрукты (яблоки, виноград, ананасы и т.п.) или овощи (морковь, свёклу, стебли сельдерея, шпинат, огурцы, помидоры и т.п.).
- Перед отжимом сока, тщательно промойте фрукты или овощи и просушите их.
- Ягоды быстро теряют свежесть, мойте ягоды непосредственно перед отжимом сока.
- Срезать тонкую кожуру с фруктов или овощей не обязательно, срезайте только толстую кожуру, например, с ананасов.
- Выбирайте сорт яблок, отвечающий вашим требованиям, помните, что насыщенность сока зависит от сорта яблок.
- При отжипе яблочного сока, сердцевину яблока желательно удалить, в противном случае косточки могут помешать нормальной работе соковыжималки.
- Яблочный сок быстро темнеет, добавьте несколько капель лимонного сока, процесс потемнения яблочного сока замедлится.
- Употребляйте сок сразу после его отжима, при длительном хранении на воздухе, сок теряет свои вкусовые качества и пищевую ценность.

ПОЛЕЗНЫЕ СОВЕТЫ

- Соковыжималка не предназначена для отжима сока из фруктов с высоким содержанием пектина или крахмала, например, бананы, папайя, авокадо и т.п., в бананах сок практически отсутствует, добавляйте их только для аромата.
- Соковыжималка не предназначена для переработки очень твёрдых и волокнистых продуктов, например, кокос, айва, ревеня и т.п.


- Если вы планируете хранить сок, перелейте его в чистую ёмкость с герметичной крышкой и храните в холодильнике.
- Не рекомендуется хранить сок в металлической ёмкости, сок может приобрести соответствующий привкус.

ПРИГОТОВЛЕНИЕ СОКА

ВНИМАНИЕ!

- Максимально допустимое время непрерывного цикла работы соковыжималки составляет не более 20 минут с последующим перерывом не менее 10 минут.
- Перед сборкой соковыжималки всегда проверяйте фильтрующий элемент (2) на предмет механических повреждений.
- Запрещается использовать соковыжималку при наличии механических повреждений фильтрующего элемента (2).
- Подготовьте фрукты или овощи, тщательно промойте их, удалите несъедобные части у фруктов, такие как плодоножки, срежьте с ананаса твёрдую кожуру, удалите вишнёвые или персиковые косточки, нарежьте фрукты или овощи полосками размером не более 5x2 см или на кусочки 3x3 см.
- Убедитесь в правильности сборки соковыжималки, см. пункт «Сборка соковыжималки».
- Откройте крышку носика для слива сока (5) (рис. 9).
- Вставьте вилку шнура питания в электрическую розетку.
- Включите соковыжималку, установив выключатель (6) в положение «I».
- Опускайте фрукты или овощи в загрузочную горловину (1), только во время вращения шнека (3) и слегка надавливайте на них толкателем (9). Не рекомендуется сильно нажимать на толкатель (9).
- Во время работы пользуйтесь только толкателем (9), входящим в комплект поставки, запрещается проталкивать фрукты или овощи в загрузочную горловину (1) пальцами или любыми другими предметами.
- Периодически проверяйте состояние фильтрующего элемента (2) на предмет засорения мякотью, при необходимости, выключите соковыжималку, установив выключатель питания (6) в положение «0» и выньте вилку шнура питания из электрической розетки.
- Поверните загрузочную горловину (1) с фильтрующим элементом (2) против часовой стрелки до совмещения метки «▲» с меткой «(1)» на верхней части моторного блока и снимите (рис. 1), промойте фильтрующий элемент (2) под проточной водой и установите на место, повернув загрузочную горловину (1) с фильтрующим элементом (2) по часовой стрелке в положение «(1)» (рис. 7). Убедитесь, что загрузочная горловина (1) с фильтрующим элементом (2) надёжно зафиксированы,

вставьте вилку шнура питания в электрическую розетку, включите соковыжималку для продолжения работы.

- Для смешивания различных соков, во время работы соковыжималки, вы можете закрыть крышку носика для слива сока (5) (рис. 9), и продолжать выжимать сок из другого фрукта или овоща, после этого открыть крышку носика (5) и слить сок в ёмкость (7).
- Закрывайте крышку носика (5), когда сливаете сок из ёмкости (7) или после завершения работы соковыжималки.
- Если во время работы соковыжималки вращение шнека (3) замедлилось, срочно выключите соковыжималку, установив выключатель питания (6) в положение в положение «0», после остановки вращения шнека (3), переведите выключатель питания (6) в положение «R» и удерживайте его, при этом включится функция обратного вращения шнека (3). Через несколько секунд отпустите выключатель питания (6), выньте вилку шнура питания из электрической розетки, поверните загрузочную горловину (1) с фильтрующим элементом (2) против часовой стрелке до совмещения метки «▲» с меткой «» на верхней части моторного блока и снимите (рис. 1), устраните причину, связанную с замедлением вращения шнека (3). Устранив причину, установите загрузочную горловину (1) с фильтрующим элементом (2) и продолжайте работу с соковыжималкой.

- По мере наполнения ёмкости для сока (7), выключите соковыжималку и слейте сок в подходящую ёмкость, установите ёмкость (7) под носик для слива сока (5).
- Следите за наполнением ёмкости для отжимок (8), выключите соковыжималку и удалите отжимки из ёмкости (8).

Примечание: для удобства удаления отжимок, рекомендуется в ёмкость (8) вставить подходящий по размеру пакет и удалять отжимки вместе с пакетом.

- После использования соковыжималки выключите её, установив выключатель питания (6) в положение «0», выньте вилку шнура питания из электрической розетки.

ЗАЩИТА ОТ ПЕРЕГРЕВА

- При превышении рабочей температуры электромотора, сработает защита от перегрева, и соковыжималка выключится.
- Если во время работы, соковыжималка самопроизвольно выключится, установите выключатель питания (6) в положение «0», выньте вилку шнура питания из электрической розетки.
- В зависимости от температуры в помещении время остывания электромотора может быть в пределах от 20-50 минут, после остывания электромотора, вставьте вилку шнура питания в электрическую розетку и включите соковыжималку.
- Если соковыжималка не включилась, подождите ещё некоторое время, если изменений не произойдет.

шло, это может означать о другом дефекте, в этом случае обратитесь авторизованный сервисный центр.

- Следите за рекомендованным временем работы соковыжималки.

ЧИСТКА И УХОД

- Производите чистку соковыжималки после каждого её использования.
- Перед чисткой выключите соковыжималку и выньте вилку шнура питания из электрической розетки.
- Запрещается погружать моторный блок, шнур питания и вилку шнура питания в воду или любую другую жидкость.
- Выньте толкатель (9) из загрузочной горловины (1).
- Поверните загрузочную горловину (1) с фильтрующим элементом (2) против часовой стрелки до совмещения метки «▲» с меткой «☐» на верхней части моторного блока и снимите (рис. 1).
- Снимите сокосборник (4) с моторного блока по направлению вверх (рис. 2).
- Из сокосборника (4) выньте шнек (3) (рис. 3).
- Выньте силиконовый уплотнитель, расположенный на нижней части сокосборника (4) (рис. 10).
- Из центральной части сокосборника выньте уплотнительное кольцо, нажав на него и продавив во внутрь сокосборника (4) (рис. 11).
- Промойте снятые детали (1-2, 3, 4, 9), ёмкости для сока (7), ёмкости для отжимок (8), уплотни-

тельное кольцо, тёплой водой с нейтральным моющим средством, ополосните и просушите.

- Установите силиконовый уплотнитель, расположенный на нижней части сокосборника (4) (рис. 4).
- Установите на место уплотнительное кольцо, так, чтобы одно уплотнительное ребро осталось снаружи сокосборника (4) (рис. 13), а остальные уплотнительные кольца были внутри сокосборника (4).
- Для промывки фильтрующего элемента (2) и других труднодоступных мест, используйте щётку (10).
- Запрещается использовать посудомоечную машину для промывки съёмных деталей соковыжималки.
- Моторный блок протрите слегка влажной тканью, после чего протрите насухо.
- Запрещается использовать для чистки соковыжималки жёсткие губки, абразивные чистящие средства или растворители.
- Фрукты и овощи с красящими свойствами, например, ежевика, морковь или свёкла, могут окрасить детали соковыжималки, в этом случае можно использовать сухую ткань, смоченную в растительном масле, после очистки деталей промойте их тёплой водой с мягким моющим средством, ополосните и просушите.

ХРАНЕНИЕ

- Перед тем, как убрать соковыжималку на хранение проведите её чистку.
- Храните соковыжималку в сухом прохладном месте, недоступном для детей и людей с ограниченными возможностями.

КОМПЛЕКТАЦИЯ

- Соковыжималка — 1 шт.
- Инструкция — 1 шт.

ТЕХНИЧЕСКИЕ ХАРАКТЕРИСТИКИ

- Электропитание: 220-240 В, ~ 50-60 Гц
- Номинальная потребляемая мощность: 130 Вт
- Объём ёмкости для сбора сока – 0,6 л
- Объём контейнера для отжимок – 0,45 л

УТИЛИЗАЦИЯ



Чтобы предотвратить возможный вред окружающей среде или здоровью людей от неконтролируемой утилизации отходов, после окончания срока службы устройства или элементов питания (если входят в комплект), не выбрасывайте их вместе с обычными бытовыми отходами, передайте прибор и элементы питания в специализированные пункты для дальнейшей утилизации.

Отходы, образующиеся при утилизации изделий, подлежат обязательному сбору с последующей утилизацией в установленном порядке.

Для получения дополнительной информации об утилизации данного продукта обратитесь в местный муниципалитет, службу утилизации бытовых отходов или в магазин, где Вы приобрели данный продукт.

Производитель сохраняет за собой право изменять дизайн, конструкцию и технические характеристики, не влияющие на общие принципы работы устройства, без предварительного уведомления.

Срок службы устройства — 3 года

Дата производства указана в серийном номере.

В случае обнаружения каких-либо неисправностей необходимо обратиться в авторизованный сервисный центр.

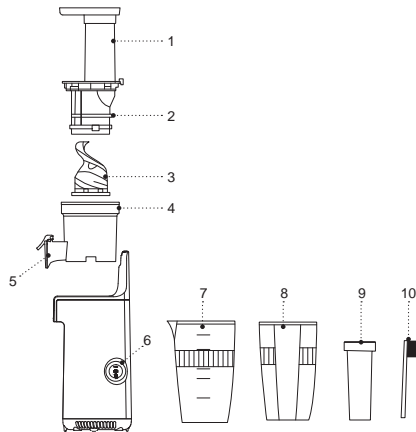
ШЫРЫНСЫҚҚЫШ BR1706

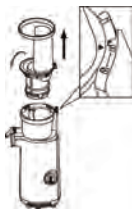
Жемістер мен көкөністерден жаңа шырын жасау үшін шнекті шырынсыққышты қолданыңыз.

Шнекті шырынсыққышты «баяу шырынсыққыш» деп атайды, олар жемістер мен көкөністерді басады, орталықтан төпкіш шырынсыққыштар сияқты ұсақтамайды, сондықтан шнекті шырынсыққыштардан суық сығымдалған шырын алынады. Шырынды сығудың бұл технологиясы, шырынның жасуша құрылымын, микроэлементтерді, ферменттер мен дәрумендердің сақталуына көпідік береді.

СИПАТТАМАСЫ

1. Жүктеуіш мойын
2. Сүзгі элемент
3. Шнек
4. Шырын жинағыш
5. Шырын ағызу шүмегі
6. Қуат қосқышы / реверсті қосу «I/O/R»
7. Шырынға арналған сыйымдылық
8. Сығындыларға арналған сыйымдылық
9. Итергіш
10. Тазалауға арналған қылшақ





Сур. 1



Сур. 2



Сур. 3



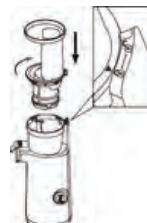
Сур. 4



Сур. 5



Сур. 6



Сур. 7



Сур. 8



Сур. 9



Сур. 10



Сур. 11



Сур. 12



Сур. 13

ҚАУІПСІЗДІК ШАРАЛАРЫ ЖӘНЕ ПАЙДАЛА- НУ БОЙЫНША НҰСҚАУЛЫҚТАР

Шырынсыққыш пайдалану алдында пайдалану жөніндегі нұсқаулықты мұқият оқып шығыңыз, оқыған соң, болашақта пайдалану үшін сақтап қойыңыз.

НАЗАР АУДАРЫҢЫЗ!

Шырынсыққыш жұмысының үздіксіз циклінің рұқсат етілген максималды уақыты 20 минуттан аспайды, одан кейін 10 минуттан кем емес үзіліс жасалады.

- Шырынсыққыш осы нұсқаулықта баяндалғандай, тікелей мақсаты бойынша ғана пайдаланыңыз.
- Шырынсыққыш дұрыс қолданбау оның бұзылуына, және пайдаланушыға немесе оның мүлкіне зиян келтіруге әкеп соғуы мүмкін және кепілдік жағдайы болып табылмайды.
- Заттаңбада көрсетілген құрылғының жұмыс кернеуі, электр желісінің кернеуіне сәйкес екеніне көз жеткізіңіз.
- Құрылғыны сыртқы таймерлерге немесе қашықтықтан басқарылатын электр розеткаларға қосуға тыйым салынады.
- Шырынсыққыш желі розеткасына кіру әрқашан бос болатындай етіп тегіс, құрғақ, орнықты, бетке орнатыңыз және пайдаланыңыз.
- Құрылғыны үй-жайдан тыс жерде пайдалануға тыйым салынады.

- Найзағай кезінде құрылғыны пайдалану ұсынылмайды.
- Шырынсыққыш соққыдан, құлаудан, дірілден және басқа да механикалық әсерлерден сақтаңыз.
- Желіге қосылған құрылғыны, қараусыз қалдырмаңыз.
- Құрылғыны жылу көздерінің, жылыту аспаптарының немесе ашық оттың тікелей жанында пайдаланбаңыз.
- Шырынсыққыш аэрозольдар пайдаланылатын немесе шашырайтын жерлерде, сондай-ақ тез тұтанатын сұйықтықтарға жақын жерлерде пайдалануға тыйым салынады.
- Шырынсыққыш ас үй раковинасына жақын, жуынатын бөлмеде, бассейндер немесе басқа да су толтырылған сыйымдылықтарға жақын жерде пайдаланбаңыз.
- Шырынсыққыш суға құлап кеткен жағдайда, дереу желі бауының ашасын электр розеткасынан сурыңыз, содан кейін ғана құрылғыны судан алып шығуға болады. Құралды тексерту немесе жөндету үшін рұқсаты бар сервис орталығына хабарласыңыз.
- Қуаттандыру бауының ыстық беттерге және жиһаздың өткір жиектеріне тиюін болдырмаңыз.
- Шырынсыққыш жеткізу жиынтығына кіретін бөлшектерін ғана қолданыңыз.
- Әрқашан сүзгі элементін механикалық зақымдануына қатысты тексеріңіз, егер сіз механикалық зақымдануды тапсаңыз, сүзгі элементін ауыстырғанша шырынсыққышты пайдаланбаңыз.

- Жұмыс кезінде тек жеткізу жиынтығына кіретін итергішті қолданыңыз, жемістер мен көкөністерді саусақтарыңызбен немесе кез-келген басқа заттармен жүктеу мойнына итеруге тыйым салынады.
- Егер қуат бауының ашасы электр розеткасына салынып тұрса, шырғынсыққышты бөлшектеуге тыйым салынады.
- Құрылғыны пайдаланып болғаннан кейін немесе тазалау алдында міндетті түрде сөндіріңіз. Шырғынсыққыш электр желісінен ажыратқан кезде тек желі бауының ашасынан ұстаңыз және оны электр розеткасынан абайлап шығарыңыз, желі бауынан тартпаңыз — бұл оның зақымдануына әкеліп, қысқа тұйықталуын тудыруы мүмкін.
- Құрылғы корпусын, желі бауын және желі бауының ашасын су қолмен ұстамаңыз.
- Балалардың қауіпсіздігі үшін қаптама ретінде пайдаланылатын полиэтилен пакеттерді қадағалаусыз қалдырмаңыз.

Назар аударыңыз! Балаларға полиэтилен пакеттерімен немесе қаптама үлдірімен ойнауға рұқсат етпеңіз. **Тұншығу қаупі!**

- Құрылғы балалардың пайдалануына арналмаған.
- Құрылғыны ойыншық ретінде пайдалануын болдырмау үшін, балаларды қадағалаңыз.
- Құрылғы жұмыс істеп тұрғанда балалар жұмыс бетіне, құрылғы корпусына, желі бауына немесе

желі бауының ашасына жақындауына рұқсат бермеңіз.

- Егер жұмыс істеп тұрған құрылғының маңында балалар немесе мүмкіндіктері шектеулі адамдар болса, онда ерекше мұқият болыңыз.
- Жұмыс істеу уақытында және жұмыс циклдері арасындағы үзілістерде құрылғыны балалардың қолы жетпейтін жерде орналастырыңыз.
- Аспап дене, жүйке немесе сана мүмкіндіктері төмендетілген тұлғалардың (балаларды қоса) пайдалануына арналмаған, сондай-ақ егер олардың тәжірибесі немесе білімі болмаса, егер олар бақыланбаса немесе олардың қауіпсіздігі үшін жауап беретін тұлғамен аспапты пайдалану туралы нұсқаулықтар берілмесе.
- Желі бауының бүтіндігін мезгілімен тексеріп отырыңыз.
- Қуаттандыру бауы зақымданғанда қауіп тудырмау үшін оны дайындаушы, сервистік қызмет немесе баламалы білікті маман ауыстыруы тиіс.
- Құрылғыны өздігіңізден жөндеуге тыйым салынады. Құрылғыны өз бетіңізбен бөлшектемеңіз, кез-келген ақаулықтар пайда болған кезде, сондай-ақ құрылғы құлағаннан кейін оны электр желісінен ажыратыңыз және авторланған сервистік орталыққа жүгініңіз.
- Құрылғыны зақымдамау үшін, оны тек зауыт қаптамасында тасымалдаңыз.


- Құрылғыны салқын және құрғақ жерде, балалардың және мүмкіндігі шектеулі адамдардың қолы жетпейтін жерде сақтаңыз.

ҚҰРЫЛҒЫ ТЕК ТҰРМЫСТЫҚ ПАЙДАЛАНУҒА ҒАНА АРНАЛҒАН, ҚҰРЫЛҒЫНЫ КОММЕРЦИЯЛЫҚ НЕМЕСЕ ЗЕРТХАНАЛЫҚ МАҚСАТТАРДА ПАЙДАЛАНУҒА ТЫЙЫМ САЛЫНАДЫ.

АЛҒАШ РЕТ ПАЙДАЛУ АЛДЫНДА

Құралды кері температурада тасымалдағаннан немесе сақтағаннан кейін оны қаптамадан шығарыңыз және пайдалану алдында 3 сағат күтіңіз.


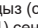
- Құралды қаптамадан шығарыңыз және барлық қаптама материалдарын жойыңыз.
- Зауыт қаптамасын сақтаңыз.
- Қауіпсіздік шаралары мен пайдалану нұсқауларымен танысыңыз.
- Жинақталымын тексеріңіз.
- Құралды зақымдануына қатысты байқаңыз зақымдануы болған жағдайда оны желіге қоспаңыз.
- Құралдың көрсетілген қуаттандыру кернеуі параметрлері электр желісінің параметрлеріне сәйкес келетініне көз жеткізіңіз. Құрылғыны 60 Гц жиіліктегі электр желісінде пайдаланғанда, ешқандай қосымша әрекет қажет емес.
- Шырынсыққышты бөлшектеңіз және шырынсыққышты пайдалану кезінде жемістермен немесе көкөністермен жанасатын бөлшектерді жуып жіберіңіз.

- Итергішті (9) жүктеу мойнынан (1) шығарып алыңыз.
- Сүзгі элементі бар (2) жүктеу мойнын (1) сағат тіліне қарсы белгі «▲» мотор блогының жоғарғы жағында орналасқан белгімен «» сәйкескенге дейін бұраңыз және шешіп алыңыз (сур. 1).
- Шырын жинағышты (4) мотор блогынан жоғары бағытта шешіп алыңыз (сур. 2).
- Шырын жинағыштан (4) шнекті (3) шығарып алыңыз (сур. 3).
- Шешіліп алынған бөлшектерді (1-2, 3, 4, 9), шырынға арналған сыйымдылықты (7), сығындыларға арналған сыйымдылықты (8), тазалауға арналған қылшақшаны (10), бейтарап жуғыш құрал қосылған жылы сумен жуып жіберіңіз, шайыңыз және құрғатыңыз.
- Мотор блогын шамалы дымқыл матамен сүртіп өтіңіз, содан кейін құрғатып сүртіңіз.

ШЫРЫНСЫҚҚЫШТЫ ЖИНАУ

- Шырынсыққышты электр розеткасына қосу әрдайым бос болатындай етіп тегіс, құрғақ және орнықты жерге орнатыңыз.
- Шырынсыққышты жинамас бұрын, шырын жинағыштың (4) төменгі жағында орналасқан силикон тығыздағыш орнына орнатылғанына көз жеткізіңіз (сур. 4).

Ескертпе: силикон тығыздағыш орнату орнына тығыздап енуі керек, әйтпесе жұмыс кезінде шырын шырын жинағыштан (4) ағып кетуі мүмкін және шырынсыққыш зақымдануының себебі болуы мүмкін.

- Шырын жинағышты (4) мотор блогына орнатыңыз (сур. 5).
- Шырын жинағышқа (4) шнекті (3) орнатыңыз, шнектің (3) дұрыс орнатылуын қадағалаңыз, ол жетек тілігіне орнатылып, шырын жинағышқа (4) аздап түсуі керек, әйтпесе сүзгі элементі (2) бар жүктеу мойнын (1) орнату мүмкін болмайды.
- Сүзгі элементі (2) бар жүктеу мойнын (1) шырын жинағышқа (4) орнатыңыз, таңба «▲» мотор блогының жоғарғы жағындағы таңбаға «» сәйкес келуі керек, сүзгі элементі (2) бар жүктеу мойнын (1) сағат тілі бағытымен күйіне «» бұраңыз (сур. 7). Сүзгі элементі (2) бар жүктеу мойны (1) сенімді бекітілгеніне көз жеткізіңіз.
- Итергішті (9) жүктеу мойнына (1) салыңыз.
- Шүмектің (5) астына шырынға арналған сыйымдылық (7) орнатыңыз, сығандыларға арналған сыйымдылықты (8) орнатыңыз (сур. 8).
- Шырынсыққыш жұмысқа дайын.

ПАЙДАЛЫ КЕҢЕСТЕР

- Шырынсыққыш құрамында пектин немесе крахмалы көп жемістерден мысалы, банан, папайя, інжір, авокадо және т. б. осы сияқтылардан шырын сығуға арналмаған, банандарда шырын мүлдем жоқ, оларды тек хош иіс үшін қосыңыз.
- Шырынсыққыш өте қатты және талшықты өнімдерді өңдеуге арналмаған, мысалы, кокос, беже, рауғаш және т. б.
- Мұндай жемістерді немесе көкөністерді өңдеу үшін, асуілік техниканың басқа түрлерін қолданыңыз.
- Тек піскен жемістер мен жаңа піскен көкөністерді қолданыңыз, өйткені олардың құрамында шырын көп болады.
- Шырын жасау үшін әртүрлі жемістерді (алма, жүзім, ананас және т. б.) немесе көкөністерді (сәбіз, қызылша, балдыркөк сабағы, шпинат, қияр, қызанақ және т. б.) пайдалана аласыз.
- Шырын сығар алдында, жемістер мен көкөністерді мұқият жуыңыз және оларды құрғатыңыз.
- Жидектер тез балғындықты жоғалтады, жидектерді дәл шырынды сығар алдында жуыңыз.
- Жемістер мен көкөністердің жұқа қабығын аршудың қажеті жоқ, тек қалың қабығын аршыңыз, мысалы, ананасты.
- Сіздің талаптарыңызға сәйкес келетін алма түрін таңдаңыз, шырынның қанықтылығы алма түріне байланысты екенін ұмытпаңыз.
- Алма шырынын сыққанда, алманың өзегін алып тастаған жөн, әйтпесе сүйектері шырынсыққыштың қалыпты жұмысына кедергі келтіруі мүмкін.
- Алма шырыны тез қараяды, лимон шырынының бір-неше тамшысын қосыңыз, алма шырынының қараю процесі баяулайды.
- Шырын сығылғаннан кейін бірден қолданыңыз, ауада ұзақ уақыт сақталса, шырын өзінің дәмі мен тағамдық құндылығын жоғалтады.

- Егер сіз шырынды сақтауды жоспарласаңыз, оны ауа өткізбейтін қақпағы бар таза сыйымдылыққа құйыңыз және тоңазытқышта сақтаңыз.
- Шырынды металл сыйымдылықта сақтау ұсынылмайды, шырында ерекше дәм пайда болуы мүмкін.

ШЫРЫН ДАЙЫНДАУ

НАЗАР АУДАРЫҢЫЗ!

- Шырынсыққыш жұмысының үздіксіз циклінің рұқсат етілген максималды уақыты 20 минуттан аспайды, одан кейін 10 минуттан кем емес үзіліс жасалады.
- Шырынсыққышты жинамас бұрын, әрдайым сүзгі элемент (2) механикалық зақымдануына қатысты тексеріңіз.
- Сүзгі-үккіштің механикалық зақымдануы болған жағдайда сүзгі элемент (2) пайдалануға тыйым салынады.
- Жемістер мен көкөністерді дайындаңыз, оларды жақсылап жуыңыз, жемістердің жеуге болмайтын бөліктерін алып тастаңыз, мысалы, сабақтарын, ананастың қатты қабығын кесіп тастаңыз, шие немесе шабдалы сүйектерін алып тастаңыз, жемістерді немесе көкөністерді 5x2 см-ден аспайтын жолақтарға немесе 3x3 см кесектерге тураңыз
- Шырынсыққыштың дұрыс жиналып жатқанына көз жеткізіңіз «шырынсыққышты құрастыру» тармағын қараңыз
- Шырын ағызуға арналған шүмектің (5) қақпағын ашыңыз (сур. 9).
- Қуаттандыру бауының ашасын электр розеткасына салыңыз.
- Ажыратқышты (6) күйіне «I» орнату арқылы шырынсыққышты қосыңыз.
- Жемістерді немесе көкөністерді жүктеу мойнына (1), тек шнекті (3) айналдыру кезінде салыңыз және оларды итергішпен (9) аздап басыңыз.
- Жемістерді немесе көкөністерді жүктеу мойнына (1), шнек (3) айналған кезде салыңыз және оларды итергішпен (9) аздап басыңыз. Итергішті (9) қатты басу ұсынылмайды.
- Жұмыс кезінде тек жеткізу жинақталымына кіретін итергішті (9) қолданыңыз, жемістер мен көкөністерді жүктеу мойнына (1) саусақтарыңызбен немесе кез-келген басқа заттармен итеруге тыйым салынады.
- Сүзгі элементінің (2) күйін мәйекпен бітеліп қалуын мезгілімен тексеріп отырыңыз, қажет болған жағдайда қуат қосқышын (6) күйіне «0» орнатып, қуат бауының ашасын электр розеткасынан суырып алыңыз.
- Сүзгі элементі бар (2) жүктеу мойнын (1) сағат тіліне қарсы бағытта таңба «▲» мотор блогының жоғарғы жағындағы таңбамен «V» сәйкестенге дейін бұраңыз және алып тастаңыз (сур. 1), сүзгі элементін (2) ағынды судың астында жуып жіберіңіз, және орнына орнатыңыз, ол үшін сүзгі элементі бар (2) жүктеу мойнын (1) сағат тілінің бағытына «V»

бұрыңыз (сур. 7). Сүзгі элементтері (2) бар жүктеу мойнының (1) мықтап бекітілгеніне көз жеткізіңіз, қуат бауының ашасын электр розеткасына салыңыз, жұмысты жалғастыру үшін шырынсыққышты қосыңыз.

- Өр түрлі шырындарды араластыру үшін, шырынсыққышты пайдалану кезінде сіз шырын төгетін шүмектің (5) қақпағын жаба аласыз (сур. 9), және басқа жемістерден немесе көкөністерден шырынды сығып алуды жалғастыра аласыз, содан кейін шүмектің (5) қақпағын ашып, шырынды сыйымдылыққа (7) құйып аласыз.
- Шырынды сыйымдылықтан құйған кезде немесе шырынсыққыштың жұмысы аяқталғаннан кейін шүмектің қақпағын (5) жабыңыз (7).
- Егер шырынсыққыштың жұмысы кезінде шнектің (3) айналуы баяуласа, қуат қосқышын (6) күйіне «0» орнатып, шырынсыққышты дереу өшіріңіз, шнектің (3) айналуы тоқтағаннан кейін, қуат қосқышын (6) күйіне «R» ауыстырыңыз және оны ұстап тұрыңыз, бұл ретте шнектің (3) кері айналу функциясы қосылады. Бірнеше секундтан кейін қуат қосқышын (6) босатыңыз, қуат бауының ашасын электр розеткасынан суырып алыңыз, сүзгі элементі бар (2) жүктеу мойнын (1) сағат тіліне қарсы, таңба «▲» мотор блогының жоғарғы жағындағы таңбамен «V» сәйкестенге дейін бұрыңыз және алып тастаңыз (сур. 1), шнектің (3) баяулауына байланысты себепті жойыңыз. Себебін жойғаннан кейін, сүзгі элементі

бар (2) жүктеу мойнын (1) орнатыңыз және шырынсыққышпен жұмыс істеуді жалғастырыңыз.

- Шырынға арналған сыйымдылық (7) толған кезде, шырынсыққышты өшіріп, шырынды қолайлы сыйымдылыққа құйыңыз, сыйымдылықты (7) шырын құйылатын шүмектің (5) астына орнатыңыз.
- Шырын ыдысын (8) толы ұстаңыз, шырынсыққышты өшіріңіз және шырынды ыдыстан (8) алыңыз.

Ескертпе: сығындыларды оңай шығарып алу үшін контейнерге (8) өлшемі сәйкес келетін пакет салып қою және сығындыларды пакетпен бірге алып тастау ұсынылады.

- Шырынсыққышты қолданғаннан кейін, жұмыс режимдерінің қуат қосқышы (6) күйіне «0» орнатып, қуат бауының ашасын электр розеткасынан суырып алыңыз.

ҚЫЗЫП КЕТУДЕН ҚОРҒАНЫС

- Егер электр мотордың жұмыс температурасы асып кетсе, қызып кетуден қорғау іске қосылады, және шырынсыққыш өшеді.
- Егер жұмыс кезінде шырынсыққыш өздігінен сөніп қалса, жұмыс қуат қосқышы (6) күйіне «0» орнатыңыз, қуат бауының ашасын электр розеткасынан суырып алыңыз.
- Бөлмедегі температураға байланысты электр моторының салқындау уақыты 20-50 минут аралығында болуы мүмкін, электр мотор салқын-

дағаннан кейін, қуат бауының ашасын электр розеткасына салыңыз және шырынсыққышты қосыңыз.

- Егер шырынсыққыш қосылмаса, біраз уақыт күтіңіз, егер өзгеріс болмаса, бұл басқа ақауды білдіруі мүмкін, бұл жағдайда авторланған сервистік орталыққа жүгініңіз.
- Шырынсыққыштың ұсынылған жұмыс істеу уақытын қадағалаңыз.

ТАЗАРТУ ЖӘНЕ КҮТІМІ

- Шырынсыққышты тазалауды әрбір пайдаланғаннан кейін жүргізіп отырыңыз.
- Шырынсыққышты тазаламас бұрын, қуат бауының ашасын электр розеткасынан суырып алыңыз.
- Мотор блогын, қуат бауын және қуат бауының ашасын суға немесе кез-келген басқа сұйықтықтарға салуға тыйым салынады.
- Итергішті (9) жүктеу мойнынан (1) шығарып алыңыз.
- Сүзгі элементі бар (2) жүктеу мойнын (1) сағат тіліне қарсы белгі «▲» мотор блогының жоғарғы жағында орналасқан белгімен «☒» сәйкескенге дейін бұраңыз және шешіп алыңыз (сур. 1).
- Шырын жинағышты (4) мотор блогынан жоғары бағытта шешіп алыңыз (сур. 2).
- Шырын жинағыштан (4) шнекті (3) шығарып алыңыз (сур. 3).
- Силикон тығыздағышты шығарып алыңыз, ол шырынсыққыштың (4) жоғарғы жағында орналасқан (сур. 10).
- Шырын жинағыштың орталық бөлігінен басып, шырын жинағыштың (4) ішіне итеріп, тығыздағыш сақинаны шығарып алыңыз (сур. 11).
- Шешіп алынған бөлшектерді (1-2, 3, 4, 9), шырынға арналған сыйымдылықтарды (7), сығындыларға арналған сыйымдылықты (8), тығыздағыш сақинаны, бейтарап жуғыш зат қосылған жылы сумен жуып жіберіңіз, шайыңыз және құрғатыңыз.
- Силикон тығыздағышты орнатыңыз, ол шырын жинағыштың (4) төменгі жағында орналасқан (сур. 4).
- Тығыздағыш сақинаны орнына орнатыңыз, оның бір тығыздағыш шеті шырын жинағыштың (4) сыртында қалатындай болсын (сур. 13), ал қалған тығыздағыш сақиналар шырын жинағыштың (4) ішінде болуы тиіс.
- Сүзгі элементін (2) және басқа да қиын жететін жерлерге, қылшақшаны (10) пайдаланыңыз.
- Шырынсыққыштың алынбалы бөлшектерін жуу үшін ыдыс жуғыш машинаны пайдалануға тыйым салынады.
- Мотор блогын сәл дымқыл матамен сүртіңіз, содан соң құрғатып сүртіңіз.
- Шырынсыққышты тазалау үшін губкаларды, абразивті тазалағыш заттарды немесе еріткіштерді пайдалануға тыйым салынады.
- Бояғыш қасиеттері бар жемістер мен көкөністер, мысалы, қара бүлдірген, сәбіз немесе қызылша, шырынсыққыштың бөлшектерін бояуы мүмкін, бұл жағдайда өсімдік майына малынған құрғақ шүберекті

қолдануға болады, бөлшектерді тазалағаннан кейін оларды жұмсақ жуғыш зат қосылған жылы сумен жуып жіберіңіз, шайыңыз және құрғатыңыз.

САҚТАЛУЫ

- Шырынсыққышты сақтауға алып қоярдан бұрын, оны тазалап алыңыз.
- Шырынсыққышты салқын және құрғақ жерде, балалардың және мүмкіндігі шектеулі адамдардың қолы жетпейтін жерде сақтаңыз.

ЖИНАҚТАЛЫМЫ

- Шырынсыққыш – 1 дана.
- Нұсқаулық – 1 дана.

ТЕХНИКАЛЫҚ СИПАТТАМАЛАРЫ

- Электр қуаттандыруы: 220-240 В, ~ 50-60 Гц
- Номиналдық тұтыну қуаты: 130 Вт
- Шырын жинауға арналған сыйымдылықтың көлемі – 0,6 л
- Сығындыларға арналған контейнердің көлемі – 0,45 л

ПАЙДАҒА АСЫРУ



Қалдықтардың бақыланбай пайдаға асыруынан қоршаған ортаға немесе адамдардың денсаулығына зиян келтірмеу үшін, құралдың немесе қуаттандыру элементтерінің (егер жинақталымға кірсе) қызмет ету мерзімі аяқталғаннан кейін оларды әдеттегі

тұрмыстық қалдықтармен бірге тастамаңыз, аспапты және қуаттандыру элементтерін одан әрі пайдаға асыру үшін арнайы пункттерге жіберіңіз.

Бұйымдарды пайдаға асыру кезінде пайда болатын қалдықтар белгіленген тәртіп бойынша келесі пайдаға асырылатын тәртіппен міндетті түрде жинауға жатады.

Берілген өнімді пайдаға асыру туралы қосымша ақпаратты алу үшін жергілікті муниципалитетке, тұрмыстық қалдықтарды пайдаға асыру қызметіне немесе берілген өнімді сатып алған дүкенге хабарласыңыз.

Өндіруші алдын-ала ескертусіз, құрылғының дизайнын, конструкциясы мен оның жалпы жұмыс ұстанымдарына әсер етпейтін техникалық сипаттамаларын өзгерту құқығын өзіне қалдырады.

Құрылғының қызмет көрсету мерзімі — 3 жыл

Өндірілген күні сериялық нөмірде көрсетілген.

Қандай да бір ақаулықтар табылған жағдайда дереу авторландырылған сервистік орталыққа жүгіну керек.

Hergestellt für «Ruste GmbH»,
Berggasse 18/18, 1090 Wien,
Österreich

Produced for «Ruste GmbH»,
Berggasse 18/18, 1090 Vienna, Austria

Изготовлено по заказу Русте Гмбх,
Бергассе 18/18, 1090 Вена, Австрия

Уполномоченное изготовителем
лицо: ООО «Грантэл»
143912, МО, г. Балашиха,
ш. Энтузиастов, вл. 1А
т.: +7 (495) 297-50-20,
e-mail: info@brayer.su

Made in China/Произведено в Китае



brayer.ru



<https://tm.by>
Интернет-магазин