

Instruction manual
Инструкция по эксплуатации

Convactor heater BR4880
Конвекторный тепловентилятор BR4880



СОДЕРЖАНИЕ

EN.....	3
DE.....	12
RU.....	22
KZ.....	32

CONVECTION HEATER BR4880

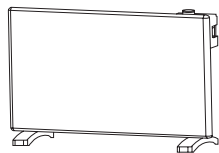
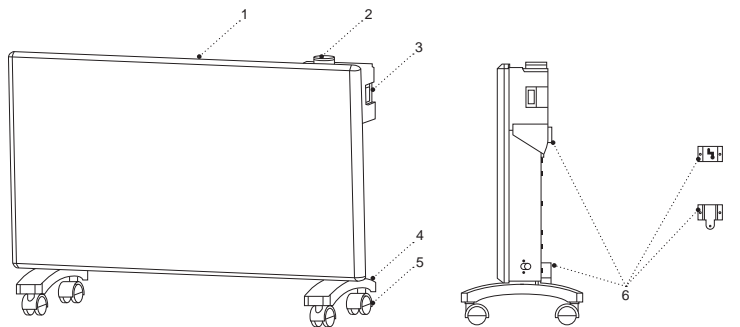
Convection fan heater is intended for the use as an additional heating unit, for heating of a small amenity room or its certain area.

DESCRIPTION

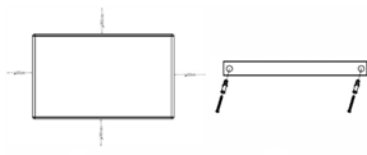
1. Hot air output
2. Thermostat knob
3. Power switch «0-I»
4. Feet (2 pcs.)
5. Wheels (4 pcs.)
6. Mounting brackets

ATTENTION!

- Portable convection fan heaters are intended for the use as a supplementary source of heat, for heating a small amenity room or its certain area. They are not intended for the use as main heating units.
- For additional protection it is reasonable to install a residual current device (RCD) with nominal operation current not exceeding 30 mA. To install an RCD, contact an electrical technician.



Pic. 1



Pic. 2



Pic. 3



Pic. 4



Pic. 5

SAFETY MEASURES AND OPERATION RECOMMENDATIONS

Read the operation manual carefully before using the convection fan heater; after reading this manual, keep it for future reference.

- Use the unit for its intended purpose only, as it is stated in this manual.
- Mishandling the unit can lead to its breakage and cause harm to the user or damage to the user's property, which is not covered by warranty.
- Make sure that the operating voltage of the unit indicated on the label corresponds to your home mains voltage.
- The three-wire power cord of the convection fan heater has a ground wire, and the power plug has a ground contact. Always connect the power plug to the socket with reliable grounding contact. In case of any inner short circuit, grounding reduces the risk of electric shock, because the current will pass through the ground wire.
- To avoid fire, do not use adapters for connecting the unit to the mains.
- To avoid mains overloading, do not switch on several electrical appliances with high power consumption at the same time.
- If you use an extension cord, make sure that the wire cross-section of the extension cord and the wire cross-section of the power cord of the convection fan heater match.
- Place the convection fan heater vertically on an even dry moisture- and thermal-resistant surface, do not place it horizontally and do not turn it over.
- Make sure to use the feet only when placing the unit on the floor or to install the wheels in the feet.
- When using the wheels, install the convection fan heater on an even steady surface.
- When mounting the unit on the wall, make sure that the mains socket is below the level of the unit body and easy to access.
- When mounting the unit on the wall, the distance from all sides of the unit body to any objects should be at least 300 mm, the mains socket must be below the level of the unit body and easy to access.
- Do not place the convection fan heater on soft surfaces, such as carpets with deep pile, sofas or beds.
- The distance between the front grid of the convection fan heater and the furniture should be at least 1 m.
- Do not use the convection fan heater in a limited space, for example, in built-in cabinets or wall niches.
- Do not use the unit if the room temperature is above +30°C.
- Do not use the power cord as a carrying handle.
- Do not wind the power cord around the unit body.
- Provide that the power cord does not contact with hot surfaces and sharp furniture edges.
- Protect the unit from impacts, falling, vibrations and other mechanical stress.

- Avoid blocking the bottom air grid with foreign objects, do not cover the unit during the operation.
- Do not use the unit to dry clothes or other household items.
- Do not use the unit in places where inflammable liquids are used or aerosols are sprayed, do not use the unit in the places where such liquids are stored.
- Do not use the unit outdoors. When using the unit in the bathroom, place the unit in such a way that the distance from the nearest faucet is at least 60 cm, and in no case splashes of water should fall on the unit and inside the body of the unit.
- Do not use the unit near swimming pools or other containers filled with water.
- If the unit is dropped into water, unplug it immediately, and only then you can take the unit out of water. Apply to the authorized service center for testing or repairing the unit.
- Do not touch the unit body, the power cord and the power plug with wet hands.
- It is not recommended to use the unit during lightning storms.
- During operation the convection fan heater body heats up strongly, do not touch hot parts of the unit body to avoid burns.
- Avoid getting burns by hot air.
- Never leave the unit connected to the mains unattended.
- Unplug the unit after usage or before cleaning.
- Switch the convection fan heater off and unplug the power cord plug from the mains socket.
- When unplugging the unit, hold the power plug and carefully remove it from the mains socket, do not pull the power cord, as this can lead to its damage or cause a short circuit.
- Do not immerse the unit into water or any other liquids.
- If water droplets fall on the convection fan heater body, switch it off and disconnect the power plug from the mains before touching the unit, then wipe the unit body with a dry cloth.
- For child safety reasons do not leave polyethylene bags used as packaging unattended.

ATTENTION! Do not allow children to play with polyethylene bags or packaging film. **Danger of suffocation!**

- The unit is not intended for usage by children.
- Do not leave children unattended to prevent using the unit as a toy.
- Do not allow children to touch the unit body, the power cord or the power plug during operation of the unit.
- Be especially careful if children or disabled persons are near the operating unit.
- During the unit operation and breaks between operation cycles, place the unit out of reach of children.

- The unit is not intended for usage by physically, sensory, psychically or mentally disabled persons (including children) or by persons lacking experience or knowledge if they are not under supervision of a person who is responsible for their safety or if they are not instructed by this person on the usage of the unit.
- From time to time check the power cord integrity.
- If the power cord is damaged, it should be replaced by the manufacturer, a maintenance service or similar qualified personnel to avoid danger.
- If a foreign smell appears, immediately stop using the unit, try to visually determine the cause of the foreign smell, a possible reason is a foreign object present on the heating element, if possible, remove the foreign object from the heating element, otherwise contact the service center.
- Do not repair the unit by yourself. Do not disassemble the unit by yourself, if any malfunction is detected, and after the unit was dropped, unplug it and apply to the service center.
- To avoid damages, transport the unit in the original package.
- Keep the unit in a dry cool place out of reach of children and disabled persons.

THE UNIT IS INTENDED FOR HOUSEHOLD USE ONLY, DO NOT USE THE UNIT FOR COMMERCIAL OR LABORATORY PURPOSES.

BEFORE THE FIRST USE

After the unit's transportation or storage at negative temperature, unpack it and wait for at least 3 hours before using it.

- Unpack the unit and remove all the packaging materials.
- Keep the original package.
- Read the safety measures and operating recommendations.
- Check the delivery set.
- Examine the unit for damages, in case of damage do not plug it into the mains.
- Make sure that specified specifications of power supply voltage of the unit correspond to the specifications of your mains. When using the unit in the mains with 60 Hz frequency, the unit does not need any additional settings.
- Wipe the convection fan heater body with a slightly damp cloth and then wipe it dry.

ASSEMBLING AND INSTALLATION

Stand mode

- Turn over the unit body. Match the openings on the feet (4) with the corresponding openings in the bottom part of the unit body.
- Fix the feet (4) with the screws supplied with the unit.

Note: you can install the convection fan heater directly on the feet (4) (pic. 1) or you can insert the wheels (5) into the feet (4).

- Turn over the unit and place it on an even steady surface.

Wall mounting

ATTENTION! When using the convection fan heater in the bathroom, position the unit so that the distance from the nearest faucet is at least 60 cm, and in no case should splashes of water fall on the body and inside the body of the unit.

Before drilling holes in the wall, make sure that there is no electrical wiring or other communications at this place.

- When mounting the unit on the wall, the distance from all sides of the unit body to any objects should be at least 300 mm (pic. 2), the mains socket should be below the level of the unit body and easy to access.
- Do not use the feet (4) with the wheels (5) when mounting the unit on the wall.
- First mark the holes on the wall for the upper brackets (6) (pic. 3).
- Drill two 8 mm holes in the wall to the required depth.
- Insert the dowels (pic. 3) into the drilled holes and tighten the fixing screws so that the fixing screw goes into the bracket (6).

- Align the screw caps with the holes in the upper wall bracket (6), slide the unit to the left and lower it down, making sure the convection fan heater hangs evenly (pic. 4).
- Mark the places for drilling holes on the wall for the lower brackets (6).
- Remove the unit from the wall.
- Drill 8 mm holes in the wall to the required depth for the lower brackets (8).
- Insert the dowels into the drilled holes.
- Align the screw caps with the holes in the upper wall bracket (6), slide the unit to the left and lower it down, making sure the convection fan heater is fixed properly on the upper brackets (6).
- Fix the lower brackets (6) with two screws, make sure that the convection fan heater is fixed properly on the wall (pic. 5).

USING THE CONVECTION FAN HEATER

- Place the convection fan heater vertically on an even dry moisture- and thermal-resistant surface, do not place it horizontally and do not turn it over.
- Use only the feet (4) or insert the wheels (5) in the feet (4) when placing the unit on the floor.
- Do not place the convection fan heater on soft surfaces, such as carpets with high pile, sofas or beds.
- The distance between the convection fan heater and the furniture should be at least 1 m.

- To avoid mains overloading, do not switch on several electrical appliances with high power consumption at the same time.
- Insert the power plug into the mains socket.
- Set the power switch (3) to the required position:
 - «0» — the unit is off;
 - «I» — the unit is switched on.
- Turn the thermostat knob (2) clockwise as far as it will go. When the air temperature in the room reaches the desired value, turn the thermostat knob (2) counterclockwise until you hear a distinctive click; in this position the thermostat will maintain the set air temperature in the room automatically.
- To increase the air temperature in the room, turn the thermostat knob (2) clockwise and counterclockwise to decrease it.

Note: the fan heater will not switch on if the thermostat settings correspond to the air temperature in the room.

- After operation turn the thermostat knob (2) counterclockwise until bumping, set the power switch (3) to the position «0» and unplug the unit.

Note: when you switch the unit on for the first time, some smoke or foreign odor may appear. It is normal and not covered by warranty.

AUTOMATIC EMERGENCY SWITCH-OFF FUNCTION IF THE OUTGOING AIR IS TOO HOT

- If the outgoing air temperature exceeds the acceptable value, the automated thermal switch will switch off the convection fan heater.
- Set the power switch (3) to the position «0» and unplug the unit, let the unit cool down for approximately 15-25 minutes (depending on the air temperature in the room) and only after that you can switch the unit on again.
- Make sure that the upper and bottom air grids are not blocked with foreign objects.
- Insert the power plug into the mains socket and switch the unit on.
- If the convection fan heater does not switch on, it may be caused by another malfunction. In this case apply to a service center for repairing of the unit.

PROTECTION FROM DROPPING

- If the convection fan heater accidentally falls or tilts too much, the fall protection system will switch off the unit.
- Set the convection fan heater into the vertical position, and the unit will resume operation.

Note: place the unit on an even dry and steady surface to prevent it from dropping.

CLEANING AND MAINTENANCE

- Before cleaning the convection fan heater set the power switch (3) to the position «0», and make sure that the power plug is not inserted into the mains socket.
- Wipe the unit body with a slightly damp cloth and then wipe it dry.
- Do not use liquid detergents, abrasive cleaners and any solvents to clean the unit.
- To avoid the risk of electric shock provide that no water or other liquid gets into the unit body.
- To clean the air grids, use a vacuum cleaner with a corresponding attachment.

STORAGE

- After cleaning put the convection fan heater away for storage in a dry cool place away from children and disabled persons.
- Before using the convection fan heater next time, it is recommended to check the heater operability and integrity of the power cord and plug.

DELIVERY SET

1. Convection fan heater - 1 pc.
2. Feet - 2 pcs.
3. Wheels - 4 pcs.
4. Working instruction – 1 pc.

TECHNICAL SPECIFICATIONS

- Power supply: 220-240 V, ~ 50-60 Hz
- Rated input power: 1500 W
- Heating area: 20 m²
- Protection degree: IP24

RECYCLING



To prevent possible damage to the environment or harm to the health of people by uncontrolled waste disposal, after expiration of the service life of the unit or the batteries (if included), do not discard them with usual household waste, take the unit and the batteries to specialized stations for further recycling.

The waste generated during the disposal of products is subject to mandatory collection and consequent disposal in the prescribed manner.

For further information about recycling of this product apply to a local municipal administration, a household waste disposal service or to the shop where you purchased this product.

The manufacturer reserves the right to change the design, structure and specifications not affecting general operation principles of the unit, without prior notice.

The unit operating life is 3 years

The manufacturing date is specified in the serial number.

In case of any malfunctions, it is necessary to apply promptly to the authorized service center.

KONVEKTOR-HEIZGEBLÄSE BR4880

Das Konvektor-Heizgebläse ist für die Arbeit als ein zusätzliches Heizgerät zur Heizung eines kleineren Aufenthaltsraums oder eines Bereichs hiervon geeignet.

BESCHREIBUNG

1. Heißluftaustritt
2. Thermostatreglergriff
3. Speiseschalter «0-I»
4. Bodengestelle (2 St.)
5. Räder (4 St.)
6. Wandanschlusswinkel

ACHTUNG!

– Tragbare Konvektor-Heizgebläse sind für die Arbeit als ein zusätzliches Heizgerät zur Heizung eines kleineren Aufenthaltsraums oder eines Bereichs hiervon geeignet. Sie sind nicht für die Arbeit als das Hauptheizgerät geeignet.

– Für zusätzlichen Schutz ist es zweckmäßig, einen Fehlerstromschutzschalter (FI-Schutzschalter) mit Nennstrom maximal bis 30 mA im Stromversorgungskreis aufzustellen. Wenden Sie sich an einen Elektriker, um einen FI-Schutzschalter aufzustellen.

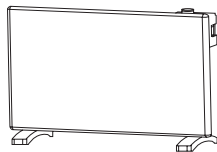
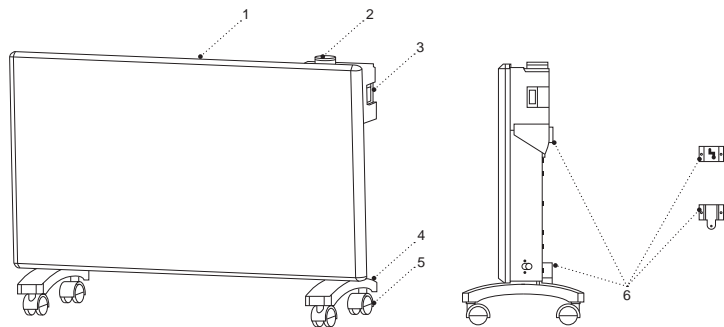


Abb. 1

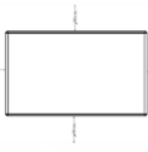


Abb. 2

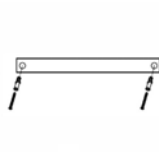


Abb. 3



Abb. 4



Abb. 5

SICHERHEITSHINWEISE UND BEDIENUNGSANLEITUNG

Bevor Sie das Konvektor-Heizgebläse benutzen, lesen Sie zuerst die Bedienungsanleitung aufmerksam durch und bewahren Sie sie zum späteren Gebrauch auf.

- Benutzen Sie das Gerät nur bestimmungsmäßig und laut dieser Bedienungsanleitung.
- Missbrauch des Geräts kann zu seiner Störung führen, den Benutzer oder sein Eigentum beschädigen und ist kein Garantiefall.
- Vergewissern Sie sich, dass die auf dem Bezeichnungszettel angegebene Betriebsspannung und die Netzspannung übereinstimmen.
- Netzkabel des Konvektor-Heizgebläses, 3-Leiter mit einem Erdungsleiter, Netzstecker mit Erdungskontakt. Stecken Sie den Netzstecker in eine Steckdose mit einem Erdungskontakt ein. Im Falle eines inneren Kurzschlusses verringert die Erdung das Stromschlagrisiko, da Strom durch den Erdleiter fließt.
- Verwenden Sie keine Adapterstecker beim Anschließen des Geräts ans Stromnetz, um Brandrisiko zu vermeiden.
- Es ist nicht gestattet, mehrere Geräte mit hoher Aufnahmeleistung gleichzeitig einzuschalten, um Stromnetzüberlastung zu vermeiden.
- Wenn eine Anschlussverlängerung benutzt wird, müssen die Leiterquerschnitte der Verlängerung und des Netzkabels des Konvektor-Heizgebläses übereinstimmen.
- Stellen Sie das Konvektor-Heizgebläse auf eine ebene, feuchtigkeits- und temperaturbeständige Oberfläche senkrecht auf, legen Sie es nicht waagrecht, wenden Sie es nicht um.
- Für die Bodenaufstellung kann man nur Bodengestelle verwenden oder Räder in die Gestelle einsetzen.
- Wenn Räder benutzt werden, stellen Sie das Konvektor-Heizgebläse auf eine ebene und stabile Oberfläche auf.
- Bei Wandbefestigung des Geräts achten Sie darauf, dass sich die Steckdose unter dem Gerätegehäuse befindet und frei zugänglich ist.
- Bei Wandbefestigung des Geräts muss der Abstand von allen Seiten des Gehäuses zu jeglichen Gegenständen mindestens 300 mm betragen, die Steckdose muss sich unter dem Gerätegehäuse befinden und frei zugänglich sein.
- Stellen Sie das Konvektor-Heizgebläse auf keine weichen Oberflächen wie langflorige Teppiche, Sofas oder Betten auf.
- Stellen Sie das Konvektor-Heizgebläse auf keine weichen Oberflächen wie langflorige Teppiche, Sofas oder Betten auf.

- Der Abstand zwischen dem Konvektor-Heizgebläse und den Einrichtungsgegenständen muss mindestens 1 m betragen.
- Das Konvektor-Heizgebläse darf nicht in engen Räumen wie Einbauschränke oder Wandnischen betrieben werden.
- Benutzen Sie das Gerät nicht, wenn die Temperatur im Raum über +30°C ist.
- Verwenden Sie das Netzkabel als Griff zum Tragen des Heizlüfters nicht.
- Man darf das Netzkabel nicht als Tragegriff benutzen.
- Man darf das Netzkabel nicht um das Gehäuse des Geräts umwickeln.
- Schützen Sie das Gerät vor Stößen, Stürzen, Vibrationen und anderen mechanischen Einwirkungen.
- Achten Sie darauf, dass das untere Luftgitter nicht mit Fremdgegenständen versperrt wird, das Gerät während des Betriebs nicht verdeckt werden.
- Das Gerät darf nicht zum Trocknen der Kleidung und der sonstigen Gebrauchsgegenstände verwendet werden.
- Verwenden Sie das Gerät an keinen Orten, an denen Aerosole oder leichtentzündbare Flüssigkeiten benutzt oder versprüht werden; verwenden Sie das Gerät an keinen Orten, an denen solche Flüssigkeiten aufbewahrt werden.
- Das Gerät darf nicht in direkter Nähe von anderen Heizgeräten, Wärmequellen oder offenem Feuer benutzt werden.
- Das Gerät darf nicht draußen benutzt werden, bei der Benutzung im Badezimmer ordnen Sie das Gerät so an, dass der Abstand zur nächsten Mischarmatur mindestens 60 cm beträgt, dabei dürfen die Wasserspritzer auf keinen Fall auf und in das Gerätegehäuse geraten.
- Das Gerät darf nicht neben Schwimmbädern oder anderen Wasserbehältern benutzt werden.
- Falls das Gerät ins Wasser gefallen ist, ziehen Sie den Netzstecker aus der Steckdose sofort heraus, erst danach holen Sie das Gerät aus dem Wasser heraus. Wenden Sie sich an einen autorisierten Kundendienst, um das Gerät prüfen oder reparieren zu lassen.
- Berühren Sie das Gerätegehäuse, das Netzkabel und den Netzstecker mit nassen Händen nicht.
- Es ist nicht empfohlen, das Gerät bei Gewitter zu benutzen.
- Das Gehäuse des Konvektor-Heizgebläses wird beim Betrieb sehr heiß, berühren Sie die heißen Teile des Geräts nicht, um Verbrennungen zu vermeiden.
- Hüten Sie sich vor Heißluftverbrennungen.
- Lassen Sie das ans Stromnetz angeschlossene Gerät nie unbeaufsichtigt.
- Trennen Sie das Gerät nach dem Gebrauch oder vor der Reinigung vom Stromnetz unbedingt ab.
- Schalten Sie das Konvektor-Heizgebläse aus und ziehen Sie den Netzstecker aus der Steckdose.
- Wenn Sie das Gerät vom Stromnetz abtrennen, halten Sie den Netzstecker fest und ziehen Sie ihn

aus der Steckdose vorsichtig heraus; ziehen Sie das Netzkabel nicht, da es zu seiner Beschädigung und einem Kurzschluss führen kann.

- Es ist nicht gestattet, das Gerät in Wasser oder jegliche andere Flüssigkeiten einzutauchen.
- Falls Wasserspritzer auf das Gehäuse des Konvektor-Heizgebläses geraten sind, schalten Sie es zuerst an und ziehen Sie die Steckdose, bevor Sie es berühren. Dann wischen Sie das Gerätegehäuse mit trockenem Tuch ab.
- Aus Kindersicherheitsgründen lassen die als Verpackung verwendeten Plastiktüten nie ohne Aufsicht.

ACHTUNG! Lassen Sie Kinder mit Plastiktüten oder Verpackungsfolien nicht spielen. **Erstickungsgefahr!**

- Das Gerät ist nicht für Kinder bestimmt.
- Beaufsichtigen Sie Kinder, damit sie das Gerät als Spielzeug nicht benutzen.
- Kinder dürfen das Gerätegehäuse, das Netzkabel oder den Netzstecker während des Gerätebetriebs nicht berühren.
- Besondere Vorsichtsmaßnahmen sind in den Fällen angesagt, wenn sich Kinder oder behinderte Personen während des Gerätebetriebs in der Nähe aufhalten.
- Während des Betriebs und der Pausen zwischen den Betriebszyklen stellen Sie das Gerät an einen für Kinder unzugänglichen Ort auf.

- Dieses Gerät darf von Personen (darunter Kinder) mit Körper-, Nerven-, Gefühls- und Geistesstörungen oder Personen ohne ausreichende Erfahrung und Kenntnisse nur benutzt werden, soweit sie sich unter Aufsicht der Person befinden, die für ihre Sicherheit verantwortlich ist, oder entsprechende Anweisungen über die Nutzung des Geräts bekommen haben.
- Prüfen Sie die Unversehrtheit des Netzkabels periodisch.
- Wenn das Netzkabel beschädigt ist, soll es vom Hersteller, vom Kundendienst oder von ähnlich qualifiziertem Personal ersetzt werden, um Gefahren zu vermeiden.
- Wenn ein Geruch oder ein Geräusch auftritt, beenden Sie die Geräteverwendung sofort.
- Falls ein Fremdgeruch auftritt, stellen Sie den Betrieb des Geräts sofort ein, versuchen Sie, die Fremdgeruchsursache visuell festzustellen. Möglicherweise wurde er durch einen Fremdgegenstand auf dem Heizkörper verursacht, wenn es möglich ist, entfernen Sie den Fremdgegenstand vom Heizkörper, ansonsten kontaktieren Sie das Servicezentrum.
- Um Beschädigungen zu vermeiden, transportieren Sie das Gerät nur in der Fabrikverpackung.
- Bewahren Sie das Gerät an einem trockenen, kühlen und für Kinder und behinderte Personen unzugänglichen Ort auf.

DAS GERÄT IST NUR FÜR DEN GEBRAUCH IM HAUSHALT GEEIGNET, ES IST VERBOTEN, DAS GERÄT ZU GESCHÄFTS- ODER LABORZWECKEN ZU BENUTZEN.

VOR DER ERSTEN VERWENDUNG

Packen Sie das Gerät aus und warten Sie mindestens 3 Stunden, bevor Sie es bei einer negativen Temperatur transportieren oder bewahren.

- Packen Sie das Gerät aus und entfernen Sie alle Verpackungsmaterialien.
- Bewahren Sie die Originalverpackung auf.
- Lesen Sie die Sicherheitsmaßnahmen und Bedienungsempfehlungen.
- Prüfen Sie die Komplettheit.
- Prüfen Sie das Gerät auf Beschädigungen; wenn es beschädigt ist, schließen Sie es ans Stromnetz nicht an.
- Vergewissern Sie sich, dass die angegebenen Parameter der Geräteversorgungsspannung und die Stromnetzparameter übereinstimmen. Beim 60-Hz-Stromnetz-Gerätebetrieb sind keine zusätzlichen Maßnahmen erforderlich.
- Wischen Sie das Gehäuse des Konvektor-Heizgebläses mit einem leicht angefeuchteten Tuch, danach trocknen Sie es ab.

MONTAGE UND AUFSTELLUNG

Bodenaufstellung

- Drehen Sie das Gerätegehäuse um. Positionieren Sie die Bohrungen der Bodengestelle (4) so, dass sie mit den entsprechenden Bohrungen unten am Gerätekörper zusammenfallen.
- Befestigen Sie die Bodengestelle (4) mit den mitgelieferten Schrauben.

Anmerkung: Man kann das Konvektor-Heizgebläse direkt auf Bodengestelle (4) (Bild 1) aufstellen oder Räder (5) in die Gestelle (4) einsetzen.

- Drehen Sie das Gerät wieder um und stellen Sie es auf die ebene, stabile Oberfläche auf.

Wandbefestigung

ACHTUNG! Bei der Benutzung des Konvektor-Heizgebläses im Badezimmer ordnen Sie das Gerät so an, dass der Abstand zur nächsten Mischarmatur mindestens 60 cm beträgt, dabei dürfen die Wasserspritzer auf keinen Fall auf und in das Gerätegehäuse geraten.

Bevor Sie die Bohrungen in der Wand machen, stellen Sie sicher, dass an dieser Stelle keine elektrischen oder sonstigen Leitungen verlaufen.

- Bei Wandbefestigung des Geräts muss der Abstand von allen Seiten des Gehäuses zu

jeglichen Gegenständen mindestens 300 mm (Bild 2) betragen, die Steckdose muss sich unter dem Gerätegehäuse befinden und frei zugänglich sein.

- Die Bodengestelle (4) mit Rädern (5) werden bei Wandbefestigung des Geräts nicht benutzt.
- Zuerst sind die Wandbohrungen für die oberen Anschlusswinkel (6) (Bild 3) anzureißen.
- Bohren Sie in die Wand zwei Löcher 8mm im Durchmesser und mit erforderlicher Tiefe.
- Setzen Sie die Dübel in die fertigen Bohrungen ein (Bild 3), ziehen Sie die Befestigungsschrauben fest, so dass die Befestigungsschraube durch den Anschlusswinkel (6) geht.
- Positionieren Sie die Schraubenköpfe so, dass sie mit den Bohrungen im oberen Wandanschlusswinkel (6) zusammenfallen, verschieben Sie das Gerät nach links und dann nach unten, stellen Sie sicher, dass das Konvektor-Heizgebläse nicht schief hängt (Bild 4).
- Markieren Sie die Bohrstellen für untere Anschlusswinkel (6).
- Nehmen Sie das Gerät von der Wand ab.
- Bohren Sie in die Wand zwei Löcher 8mm im Durchmesser und mit erforderlicher Tiefe, um untere Anschlusswinkel (6) zu befestigen.
- Setzen Sie die Dübel in die fertigen Bohrungen ein.
- Positionieren Sie die Schraubenköpfe so, dass sie mit den Bohrungen im oberen Wandanschlusswinkel (6) zusammenfallen, verschieben Sie das Gerät

nach links und dann nach unten, stellen Sie sicher, dass das Konvektor-Heizgebläse auf den oberen Anschlusswinkeln (6) sicher befestigt ist.

- Befestigen Sie die unteren Anschlusswinkel (6) mit zwei Schrauben, stellen Sie sicher, dass das Konvektor-Heizgebläse sicher an der Wand befestigt ist (Bild 5).

NUTZUNG DES KONVEKTOR-HEIZGEBLÄSES

- Stellen Sie das Konvektor-Heizgebläse auf eine ebene, feuchtigkeits- und temperaturbeständige Oberfläche senkrecht auf, legen Sie es nicht waagerecht, wenden Sie es nicht um.
- Für die Bodenaufstellung kann man nur Bodengestelle (4) verwenden oder Räder (5) in die Gestelle (4) einsetzen.
- Stellen Sie das Konvektor-Heizgebläse auf keine weichen Oberflächen wie langflorige Teppiche, Sofas oder Betten auf.
- Der Abstand zwischen dem Konvektor-Heizgebläse und den Einrichtungsgegenständen muss mindestens 1 m betragen.
- Um das Stromnetz nicht zu überlasten, schalten Sie mehrere Geräte mit hoher Leistungsaufnahme nicht gleichzeitig ein.
- Stecken Sie den Netzstecker in die Steckdose ein.
- Bringen Sie den Speiseschalter (3) in die erforderliche Lage:
 - «0» —das Gerät ist ausgeschaltet;
 - «I» —das Gerät ist eingeschaltet.

- Drehen Sie den Thermostatreglergriff (2) im Uhrzeigersinn bis zum Anschlag. Wenn die gewünschte Lufttemperatur im Raum erreicht ist, drehen Sie den Thermostatreglergriff (2) gegen Uhrzeigersinn bis zum Klicken. Bei dieser Thermostatstellung wird die eingestellte Lufttemperatur im Raum aufrechterhalten.
- Drehen Sie den Thermostatreglergriff (2) im Uhrzeigersinn, um die Lufttemperatur im Raum zu erhöhen, und gegen Uhrzeigersinn, um sie zu senken.

Anmerkung: Der Heizlüfter lässt sich nicht einschalten, wenn die Thermostateinstellung der Raumtemperatur gleicht.

- Nach dem Ende der Arbeit drehen Sie den Thermostatreglergriff (2) gegen Uhrzeigersinn bis zum Anschlag, bringen Sie den Speiseschalter (3)
- in die Stellung «0» und ziehen Sie den Netzstecker aus der Steckdose.

Anmerkung: wenn Sie das Gerät zum ersten Mal einschalten, ist eine geringe Menge Rauch oder Fremdgeruch zulässig, es ist normal und kein Garantiefall.

NOT-AUS-FUNKTION BEI DER ÜBERHÖHUNG DER TEMPERATUR DER AUSTRETENDEN LUFT

- Wenn die Temperatur der austretenden Luft den zulässigen Wert übersteigt, spricht eine automatische Thermo-Sicherung an, und das Konvektor-Heizgebläse schaltet sich aus.
- Bringen Sie den Speiseschalter (3) in die «0»-Stellung, ziehen Sie den Netzstecker aus der Steckdose und lassen sie das Gerät circa 15-25 Minuten abkühlen (die Wartezeit hängt von der Lufttemperatur im Raum ab). Erst danach darf es wieder eingeschaltet werden.
- Stellen Sie sicher, dass das untere und obere Luftgitter von Fremdgegenständen frei sind.
- Stecken Sie den Netzstecker in die Steckdose ein und schalten Sie das Gerät ein.
- Falls das Konvektor-Heizgebläse nicht funktioniert, kann das mit einem anderen Fehler zusammenhängen, in diesem Fall kontaktieren Sie das Servicezentrum, um das Gerät reparieren zu lassen.

STURZSCHUTZ

- Falls das Konvektor-Heizgebläse zufällig fällt oder kippt, dann spricht die Fallsicherung an und das Gerät schaltet sich aus.
- Stellen Sie das Konvektor-Heizgebläse senkrecht auf, das Gerät arbeitet weiter.

Anmerkung: um das Gerät vor dem Fall zu schützen, stellen Sie das Gerät auf eine ebene, trockene und stabile Oberfläche auf.

REINIGUNG UND PFLEGE

- Vor der Reinigung des Konvektor-Heizgebläses bringen Sie den Speiseschalter (3) in die «0»-Stellung, stellen Sie sicher, dass der Netzstecker in der Steckdose ist.
- Wischen Sie das Gerätegehäuse mit leicht angefeuchtetem Tuch, danach trocknen Sie es ab.
- Das Gerät darf nicht mit flüssigen Waschmitteln, Scheuermitteln und jeglichen Lösemitteln gereinigt werden.
- Um Stromschläge zu vermeiden, lassen Sie Wasser oder jegliche anderen Flüssigkeiten nicht ins Innere des Gerätegehäuses geraten.
- Zur Reinigung der Luftgitter können Sie einen Staubsauger mit einem geeigneten Aufsatz verwenden.

AUFBEWAHRUNG

- Nach der Reinigung des Konvektor-Heizgebläses lagern Sie es auf einem trockenen kühlen Ort, das für Kinder und behinderte Personen unzugänglich ist.
- Es wird empfohlen, vor der nächsten Benutzung des Konvektor-Heizgebläses die Funktionsfähigkeit des Geräts, die Intaktheit der Netzkabelisolierung und des Netzsteckers zu überprüfen.

LIEFERUMFANG

1. Konvektor-Heizgebläse - 1 St.
2. Bodengestelle - 2 St.
3. Räder - 4 St.
4. Bedienungsanleitung – 1 St.

TECHNISCHE EIGENSCHAFTEN

- Stromversorgung: 220-240 V, ~ 50-60 Hz
- Nennleistungsaufnahme: 1500 W
- Heizfläche: 20 m²
- Schutzklasse - IP24

ENTSORGUNG



Um möglichen Schaden für die Umwelt oder die menschliche Gesundheit durch unkontrollierte Abfallentsorgung zu vermeiden, werfen Sie das Gerät und die Batterien (falls mitgeliefert) nach Beendigung ihrer Nutzungsdauer

zusammen mit gewöhnlichen Haushaltsabfällen nicht weg, geben Sie das Gerät und die Batterien in die Spezialpunkte für weitere Entsorgung über.

Die bei Entsorgung der Erzeugnisse entstehenden Abfälle sind unbedingt zu sammeln und weiter ordnungsmäßig zu entsorgen.

Mehrere Information zur Entsorgung dieses Produkts erhalten Sie bei Ihrer lokalen Stadtverwaltung, einem Abfallentsorgungsdienst oder beim Geschäft, wo Sie dieses Produkt gekauft haben.

Der Hersteller behält sich das Recht vor, das Design, die Konstruktion und die das gemeine Gerätebetriebsprinzip nicht beeinflussenden technischen Eigenschaften ohne Vorbenachrichtigung zu verändern.

Die Gerätenutzungsdauer beträgt 3 Jahre

Das Herstellungsdatum ist in der Fabrikationsnummer angegeben.

Bei Störungsfeststellung wenden Sie sich baldigst an einen autorisierten Kundendienst.

ТЕПЛОВЕНТИЛЯТОР КОН- ВЕКТОРНОГО ТИПА BR4880

Тепловентилятор конвекторного типа, предназначен для работы в качестве дополнительного обогревательного прибора, для обогрева небольшого бытового помещения или отдельной его зоны.

ОПИСАНИЕ

1. Выход горячего воздуха
2. Ручка регулятора термостата
3. Выключатель питания «0-1»
4. Напольные опоры (2 шт.)
5. Колёсики (4 шт.)
6. Кронштейны для настенного крепления

ВНИМАНИЕ!

– Переносные тепловентиляторы конвекторного типа предназначены для работы в качестве дополнительного обогревательного прибора, для обогрева небольшого бытового помещения или отдельной его зоны и не предназначены для работы в качестве основного обогревательного устройства.

– Для дополнительной защиты в цепи питания целесообразно установить устройство защитного отключения (УЗО) с номинальным током срабатывания, не превышающим 30мА. Для установки УЗО обратитесь к специалисту-электрику.

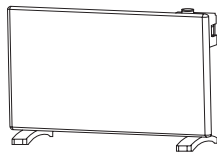
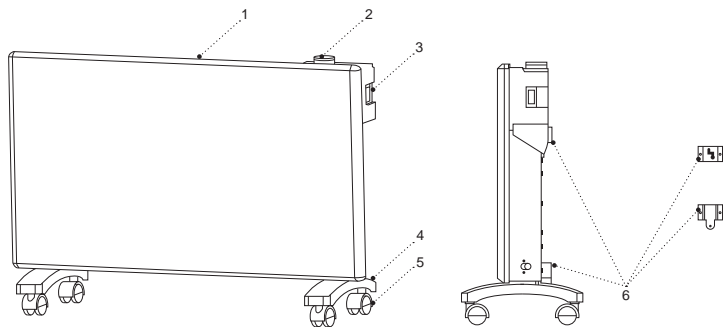


Рис. 1

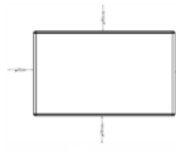


Рис. 2

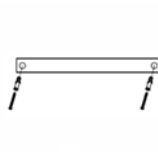


Рис. 3



Рис. 4



Рис. 5

МЕРЫ БЕЗОПАСНОСТИ И РЕКОМЕНДАЦИИ ПО ЭКСПЛУАТАЦИИ

Перед использованием тепловентилятора конвекторного типа внимательно ознакомьтесь с руководством по эксплуатации, после прочтения сохраните его для использования в будущем.

- Используйте устройство только по его прямому назначению, как изложено в данной инструкции.
- Неправильное обращение с устройством может привести к его поломке, причинению вреда пользователю или его имуществу и не является гарантийным случаем.
- Убедитесь, что рабочее напряжение устройства, указанное на этикетке, соответствует напряжению электросети.
- Шнур питания тепловентилятора конвекторного типа 3-х проводной с заземляющим проводом, а вилка шнура питания имеет контакт заземления. Вилка шнура питания должна вставляться в электрическую розетку, имеющую контакт заземления. В случае какого-либо внутреннего замыкания заземление снижает риск получения удара электротоком, так как произойдет отток тока по заземляющему проводу.
- Во избежание риска возникновения пожара не используйте «переходники» при подключении устройства к электрической розетке.
- Во избежание перегрузки электрической сети не включайте одновременно несколько устройств с большой потребляемой мощностью.
- В случае использования электрического удлинителя сечение проводов, как и на сетевом шнуре удлинителя, так и шнуре питания тепловентилятора конвекторного типа, должны совпадать.
- Устанавливайте тепловентилятор вертикально на ровной сухой влагостойкой и термостойкой поверхности, не кладите его горизонтально и не переворачивайте.
- При напольной установке можно использовать только напольные опоры или вставить в опоры колёсики.
- При использовании колёсиков устанавливайте тепловентилятор конвекторного типа на ровной, устойчивой поверхности.
- При креплении устройства к стене, следите за тем, чтобы электрическая розетка находилась ниже корпуса устройства, и при этом доступ к электрической розетке должен быть свободным.
- При креплении устройства на стене расстояние со всех сторон корпуса до любых предметов должно быть не менее 300 мм, электрическая розетка должна находиться ниже корпуса устройства, при этом доступ к электрической розетке должен быть свободным.
- Запрещается устанавливать тепловентилятор конвекторного типа конвекторного типа на мягких поверхностях, например, на ковровом покрытии с длинным ворсом, на диване или на кровати.
- Расстояние от тепловентилятора до предметов интерьера должно составлять не менее 1 м.

- Запрещается использовать тепловентилятор конвекторного типа при работе в ограниченном пространстве, например, во встроенных шкафах или в нишах стен.
- Не используйте устройство, если температура в помещении выше +30°C.
- Запрещается переносить устройство, используя шнур питания в качестве ручки для переноски.
- Запрещается наматывать сетевой шнур на корпус устройства.
- Не допускайте контакта сетевого шнура с горячими поверхностями и острыми кромками мебели.
- Оберегайте устройство от ударов, падений, вибраций и иных механических воздействий.
- Избегайте блокировки воздухозаборной решётки тепловентилятора посторонними предметами, запрещается накрывать устройство во время его работы.
- Запрещается использовать устройство для сушки одежды и других предметов обихода.
- Запрещается использовать устройство в местах, где используются или распыляются легковоспламеняющиеся жидкости или аэрозоли, запрещается использовать устройство в местах хранения таких жидкостей.
- Не используйте устройство в непосредственной близости от других нагревательных приборов, источников тепла или открытого пламени.
- Запрещается использовать устройство вне помещений, при использовании в ванной комнате, располагайте устройство, так, чтобы расстояние от ближайшего смесителя было не менее 60 см, при этом брызги воды ни в коем случае не должны попадать на корпус и во внутрь корпуса устройства.
- Не используйте устройство около бассейнов или других ёмкостей, наполненных водой.
- Если устройство упало в воду, немедленно выньте вилку шнура питания из электрической розетки, и только после этого можно достать устройство из воды. Обратитесь в сервисный центр для осмотра или ремонта устройства.
- Не прикасайтесь к корпусу устройства, к шнуру питания и к вилке шнура питания мокрыми руками.
- Не рекомендуется использовать устройство во время грозы.
- Во время работы тепловентилятора конвекторного типа, корпус сильно нагревается, во избежание получения ожогов, не прикасайтесь к горячим частям корпуса устройства.
- Остерегайтесь получения ожогов горячим воздухом.
- Не оставляйте устройство, включённое в сеть, без присмотра.
- Отключайте устройство от электросети после использования или перед чисткой.

- Выключите тепловентилятор конвекторного типа и выньте вилку шнура питания из электрической розетки.
- При отключении устройства от электрической сети держитесь за вилку шнура питания, и аккуратно выньте её из электрической розетки, не тяните за шнур питания — это может привести к его повреждению или вызвать короткое замыкание.
- Запрещается погружать устройство в воду и любые другие жидкости.
- Если на корпус тепловентилятора конвекторного типа попали капли воды, прежде чем дотронуться до него, выключите его и выньте вилку шнура питания из электрической розетки, после этого протрите корпус устройства сухой тканью.
- Из соображений безопасности детей не оставляйте полиэтиленовые пакеты, используемые в качестве упаковки, без надзора.

ВНИМАНИЕ! Не разрешайте детям играть с полиэтиленовыми пакетами или упаковочной плёнкой.
Опасность удушья!

- Устройство не предназначено для использования детьми.
- Осуществляйте надзор за детьми, чтобы не допустить использования устройства в качестве игрушки.
- Не разрешайте детям прикасаться к корпусу устройства, к шнуру питания или к вилке шнура питания во время работы устройства.
- Будьте особенно внимательны, если поблизости от работающего устройства находятся дети или лица с ограниченными возможностями.
- Во время работы и в перерывах между рабочими циклами размещайте устройство в местах, недоступных для детей.
- Прибор не предназначен для использования лицами (включая детей) с пониженными физическими, сенсорными, психическими или умственными способностями, или при отсутствии у них опыта или знаний, если они не находятся под контролем или не проинструктированы лицом, ответственным за их безопасность, об использовании прибора.
- Периодически проверяйте целостность шнура питания.
- При повреждении шнура питания его замену, во избежание опасности, должны производить изготовитель, сервисная служба или подобный квалифицированный персонал.
- При появлении постороннего запаха немедленно прекратите эксплуатацию устройства, постарайтесь визуально определить причину появления постороннего запаха, возможная причина, это попадание постороннего предмета на нагревательный элемент, если есть возможность удалите посторонний предмет с нагревательного элемен-

та, в противном случае обратитесь в сервисный центр.

- Запрещается самостоятельно ремонтировать устройство. Не разбирайте устройство самостоятельно, при возникновении любых неисправностей, а также после падения устройства отключите его от электросети и обратитесь сервисный центр.
- Во избежание повреждений перевозите устройство в заводской упаковке.
- Храните устройство в сухом прохладном месте, недоступном для детей и людей с ограниченными возможностями.

УСТРОЙСТВО ПРЕДНАЗНАЧЕНО ТОЛЬКО ДЛЯ БЫТОВОГО ИСПОЛЬЗОВАНИЯ, ЗАПРЕЩАЕТСЯ ИСПОЛЬЗОВАТЬ УСТРОЙСТВО В КОММЕРЧЕСКИХ ИЛИ ЛАБОРАТОРНЫХ ЦЕЛЯХ.

ПЕРЕД ПЕРВЫМ ИСПОЛЬЗОВАНИЕМ

После транспортировки или хранения устройства при отрицательной температуре, распакуйте его и подождите не менее 3 часов перед использованием.

- Распакуйте устройство и удалите все упаковочные материалы.
- Сохраните заводскую упаковку.
- Ознакомьтесь с мерами безопасности и рекомендациями по эксплуатации.

- Проверьте комплектацию.
- Осмотрите устройство на наличие повреждений при наличии повреждений не включайте его в электрическую сеть.
- Убедитесь, что указанные параметры напряжения питания устройства, соответствуют параметрам электрической сети. При использовании устройства в электрической сети частотой 60 Гц, никаких дополнительных действий не требуется.
- Протрите корпус тепловентилятора конвекторного типа слегка влажной тканью, после чего вытрите насухо.

СБОРКА И УСТАНОВКА

Напольная установка

- Переверните корпус устройства. Совместите отверстия на напольных опорах (4) с соответствующими отверстиями в нижней части корпуса устройства.
- Закрепите напольные опоры (4) при помощи винтов, входящих в комплект поставки.

Примечание: тепловентилятор конвекторного типа можно устанавливать непосредственно на напольные опоры (4) (рис. 1) или вставить в опоры (4) колёсики (5).

- Переверните устройство и поставьте его на ровную, устойчивую поверхность.

Крепление на стене

ВНИМАНИЕ! При использовании тепловентилятора конвекторного типа в ванной комнате, располагайте устройство, так, чтобы расстояние от ближайшего смесителя было не менее 60 см, при этом брызги воды ни в коем случае не должны попадать на корпус и во внутрь корпуса устройства.

Прежде чем сверлить отверстия в стене, убедитесь, что в этом месте отсутствует электрическая проводка или любые другие коммуникации.

- При креплении устройства на стене расстояние со всех сторон корпуса до любых предметов должно быть не менее 300 мм (рис. 2), электрическая розетка должна находиться ниже корпуса устройства, при этом доступ к электрической розетке должен быть свободным.
- При креплении устройства на стене напольные опоры (4) с колёсиками (5) не используются.
- Сначала следует разметить отверстия на стене для верхних кронштейнов (6) (рис. 3).
- Просверлите в стене два отверстия диаметром 8 мм на необходимую глубину.
- Вставьте в просверленные отверстия дюбели (рис. 3), заверните крепёжные шурупы, так, чтобы крепёжный шуруп проходил в кронштейн (6).
- Совместите шляпки шурупов с отверстиями в верхнем настенном кронштейне (6), сдвиньте

устройство влево и опустите вниз, убедитесь, что тепловентилятор конвекторного типа висит без перекосов (рис. 4).

- Отметьте места сверления отверстий для нижних крепёжных кронштейнов (6).
- Снимите устройство со стены.
- Просверлите в стене отверстия диаметром 8 мм на необходимую глубину для крепления нижних кронштейнов (6).
- Вставьте в просверленные отверстия дюбели.
- Совместите шляпки шурупов с отверстиями в верхнем настенном кронштейне (6), сдвинь устройство влево и опустите вниз, убедитесь, что тепловентилятор конвекторного типа надёжно закреплён на верхних кронштейнах (6).
- Закрепите нижние кронштейны (6) двумя шурупами, убедитесь, что тепловентилятор конвекторного типа надёжно закреплён на стене (рис. 5).

ИСПОЛЬЗОВАНИЕ ТЕПЛОВЕНТИЛЯТОРА КОНВЕКТОРНОГО ТИПА

- Устанавливайте тепловентилятор конвекторного типа вертикально на ровной сухой влагостойкой и термостойкой поверхности, не кладите его горизонтально и не переворачивайте.
- При напольной установке можно использовать только напольные опоры (4) или вставить в опоры (4) колёсики (5).

- Запрещается устанавливать тепловентилятор конвекторного типа на мягких поверхностях, например, на ковровом покрытии с длинным ворсом, на диване или на кровати.
- Расстояние от тепловентилятора конвекторного типа до предметов интерьера должно быть не менее 1 м.
- Во избежание перегрузки электрической сети не включайте одновременно несколько устройств с большой потребляемой мощностью.
- Вставьте вилку шнура питания в электрическую розетку.
- Установите выключатель питания (3) в необходимое положение:
 - «0» — устройство выключено;
 - «I» — устройство включено;
- Поверните ручку регулятора термостата (2) по часовой стрелке до упора. При достижении желаемой температуры воздуха в помещении поверните ручку регулятора термостата (2) против часовой стрелки до характерного щелчка, в этом положении термостат будет поддерживаться установленная температура воздуха в помещении.
- Для увеличения температуры воздуха в помещении поворачивайте ручку регулятора термостата (2) по часовой стрелке, а для уменьшения — против часовой стрелки.

Примечание: тепловентилятор не включится, если настройка термостата соизмерима с температурой воздуха в помещении.

- По окончании работы поверните ручку регулятора термостата (2) против часовой стрелки до упора, выключатель питания (3) установите в положение «0» и выньте вилку шнура питания из электрической розетки.

Примечание: при первом включении возможно появление небольшого количества дыма или постороннего запаха, это нормальное явление и не является гарантийным случаем.

ФУНКЦИЯ АВАРИЙНОГО ОТКЛЮЧЕНИЯ ПРИ ПРЕВЫШЕНИИ ТЕМПЕРАТУРЫ ВЫХОДЯЩЕГО ВОЗДУХА

- Если температура выходящего воздуха превысит допустимую величину, то сработает автоматический термопредохранитель и тепловентилятор конвекторного типа выключится.
- Установите выключатель питания (3) в положение «0» и выньте вилку шнура питания из электрической розетки, дайте устройству остыть в течение приблизительно 15-25 минут (время ожидания зависит от температуры воздуха в помещении), и только после этого его можно включить снова.
- Убедитесь, что нижняя и верхняя воздушные решётки свободны от посторонних предметов.

- Вставьте вилку шнура питания в электрическую розетку и включите устройство.
- Если тепловентилятор конвекторного типа не работает, это может быть связано с другой неисправностью, в этом случае обратитесь в сервисный центр для ремонта устройства.

ЗАЩИТА ОТ ПАДЕНИЯ

- Если тепловентилятор конвекторного типа случайно упадёт или сильно наклонится, то срабатывает устройство защиты от падения и устройство выключится.
- Установите тепловентилятор конвекторного типа в вертикальное положение, устройство продолжит работу.
- Примечание: — для предотвращения падения устройства, устанавливайте устройство на ровной, сухой и устойчивой поверхности.

ЧИСТКА И УХОД

- Перед чисткой тепловентилятора конвекторного типа установите выключатель питания (3) в положение «0», убедитесь, что вилка шнура питания не вставлена в электрическую розетку.
- Протрите корпус устройства слегка влажной тканью, после чего вытрите насухо.
- Запрещается использовать для чистки устройства жидкие моющие средства, абразивные чистящие средства и любые растворители.

- Во избежание риска поражения электрическим током не допускайте попадания воды или любой другой жидкости во внутрь корпуса устройства.
- Для чистки воздушных решёток можно использовать пылесос с соответствующей насадкой.

ХРАНИЕНИЕ

- После чистки тепловентилятора конвекторного типа уберите его на хранение в сухое, прохладное место, недоступное для детей и людей с ограниченными возможностями.
- Перед последующим использованием тепловентилятора конвекторного типа рекомендуется проверить работоспособность устройства, отсутствие повреждений изоляции шнура питания и целостность вилки шнура питания.

КОМПЛЕКТ ПОСТАВКИ

1. Тепловентилятор конвекторного типа – 1 шт.
2. Напольные опоры – 2 шт.
3. Колёсики – 4 шт.
4. Инструкция – 1 шт.

ТЕХНИЧЕСКИЕ ХАРАКТЕРИСТИКИ

- Электропитание: 220-240 В, ~ 50-60 Гц
- Номинальная потребляемая мощность: 1500 Вт
- Площадь обогрева: 20 м²
- Степень защиты – IP24

УТИЛИЗАЦИЯ



Чтобы предотвратить возможный вред окружающей среде или здоровью людей от неконтролируемой утилизации отходов, после окончания срока службы устройства или элементов питания (если входят в комплект), не выбрасывайте их вместе с обычными бытовыми отходами, передайте прибор и элементы питания в специализированные пункты для дальнейшей утилизации.

Отходы, образующиеся при утилизации изделий, подлежат обязательному сбору с последующей утилизацией в установленном порядке.

Для получения дополнительной информации об утилизации данного продукта обратитесь в местный муниципалитет, службу утилизации бытовых отходов или в магазин, где Вы приобрели данный продукт.

Производитель сохраняет за собой право изменять дизайн, конструкцию и технические характеристики, не влияющие на общие принципы работы устройства, без предварительного уведомления.

Срок службы устройства — 3 года

Дата производства указана в серийном номере.

В случае обнаружения каких-либо неисправностей срочно необходимо обратиться в авторизованный сервисный центр.

КОНВЕКТОРЛЫҚ ТИПТІ ЖЫЛУ ЖЕЛДЕТКІШІ BR4880

Конвекторлық типті жылу желдеткіші қосымша жылытқыш құрылғы ретінде жұмыс істеуге, кішігірім үй-жайларды немесе оның жеке аймағын жылытуға арналған.

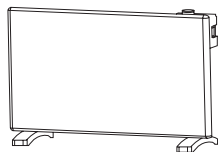
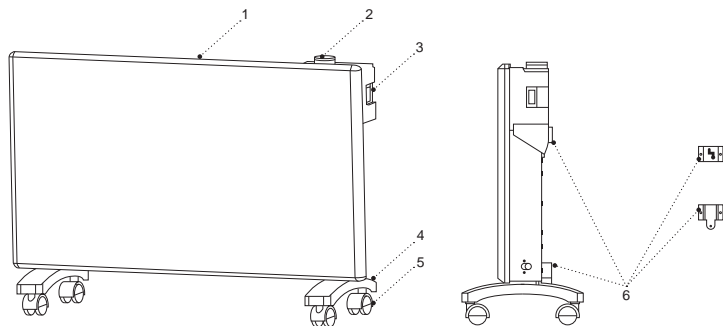
СИПАТТАМАСЫ

1. Ыстық ауа шығысы
2. Термостат реттегішінің тұтқасы
3. Қуаттандыру қосқышы «0-I»
4. Еден тіректері (2 дана)
5. Дөңгелектер (4 дана)
6. Қабырғаға бекітуге арналған кронштейндер

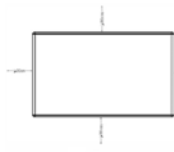
НАЗАР АУДАРЫҢЫЗ!

– Конвекторлық типті жылжымалы жылу желдеткіші қосымша жылытқыш құралы ретінде жұмыс істеуге, кішігірім тұрмыстық үй-жайларды немесе оның жеке аймағын жылытуға арналған және негізгі жылыту құрылғысы ретінде жұмыс істеуге арналмаған.

– Қосымша қорғаныс үшін қуат тізбегіне 30 мА-ден аспайтын номиналды іске қосылу тоғы бар қорғаушы сөндіргіш құрылғыны (ҚСҚ) орнатып қойған жөн. ҚСҚ орнату үшін маманға жүгініңіз.



Сур. 1



Сур. 2



Сур. 3



Сур. 4



Сур. 5

ҚАУІПСІЗДІК ШАРАЛАРЫ ЖӘНЕ ПАЙДАЛАНУҒА БЕРУ ЖӨНІНДЕГІ НҰСҚАУЛЫҚТАР

Конвекторлық типті жылу желдеткішін пайдалану алдында пайдалануға беру жөніндегі нұсқаулықпен мұқият танысыңыз, оқығаннан кейін, оны болашақта пайдалану үшін сақтап қойыңыз.

- Құрылғыны осы нұсқаулықта баяндалғандай, оның тікелей мақсаты бойынша ғана пайдаланыңыз.
- Құрылғыны дұрыс қолданбау оның бұзылуына, және пайдаланушыға немесе оның мүлкіне зиян келтіруге әкелуі мүмкін және кепілдік жағдайы болып табылмайды.
- Заттаңбада көрсетілген құрылғының жұмыс кернеуі электр желісінің кернеуіне сәйкес екеніне көз жеткізіңіз.
- Конвекторлық типті жылу желдеткішінің қуаттандыру бауын 3 сымды жерге қосу сымы, ал қуаттандыру бауының ашасында жерге қосу байланысы бар. Қуаттандыру бауы ашасының жерге қосудың сенімді байланысы бар электр розеткасына салыну қажет. Қандайда бір ішкі матасу орын алған кезде жерге қосу электр тогының ұру қаупін төмендетеді, себебі тоқтың жылыстауы жерге қосылған сым бойынша кетеді.
- Өрт шығу қаупін болдырмау үшін, құрылғыны электр розеткасына қосар алдында «жалғастырыштарды» пайдаланбаңыз.

- Электр желісіндегі жүктемені шамадан асырмау үшін көп қуатты тұтынатын бірнеше құралды бір мезгілде қоспаңыз.
- Электр ұзартқышты пайдаланған жағдайда, ұзартқыштың желілік сымы мен конвекторлық типті жылу желдеткішінің қуат сымы сияқты сымдардың көлденең қимасы сәйкес келуі керек.
- Конвекторлық типті жылу желдеткішін тегіс, құрғақ, ылғалға төзімді және ыстыққа төзімді бетке тігінен орналастырыңыз, оны көлденең қоймаңыз немесе аудармаңыз.
- Еденге орнату кезінде сіз тек еден тіректерін қолдана аласыз немесе дөңгелектерге тіректерді сала аласыз.
- Дөңгелектерді қолданған кезде конвекторлық типті жылу желдеткішін тегіс, орнықты бетке орнатыңыз.
- Құрылғыны қабырғаға бекіту кезінде электр розеткасы құрылғы корпусынан төмен екеніне көз жеткізіңіз, сонымен бірге электр розеткасы қолжетімді болуы керек.
- Құрылғыны қабырғаға бекіту кезінде корпустың барлық жағынан кез-келген заттарға дейінгі қашықтық кемінде 300 мм болуы керек, электр розеткасы құрылғы корпусынан төмен болуы керек, ал электр розеткасы қолжетімді болуы керек.
- Конвекторлық типті жылу желдеткішін жұмсақ беттерге, мысалы, ұзын түкті кілемге, диванға немесе төсекке орнатуға тыйым салынады.

- Конвекторлық типті жылу желдеткішінен интерьер заттарына дейінгі қашықтық кемінде 1 м болуы керек.
- Конвекторлық типті жылу желдеткішін шектеулі кеңістікте жұмыс істеу кезінде, мысалы, кіріктірілген шкафтарда немесе қабырға қуыстарында пайдалануға тыйым салынады.
- Егер бөлме температурасы +30°C-дан жоғары болса, құрылғыны пайдаланбаңыз.
- Құрылғыны тасымалдауға арналған тұтқа ретінде қуат сымын пайдаланып тасымалдауға тыйым салынады.
- Желілік сымды құрылғы корпусына орауға тыйым салынады.
- Қуаттандыру бауын жылужелдеткіштің корпусына орауға тыйым салынады.
- Желі бауының ыстық беттерге және жиһаздың өткір жиектеріне жанасуына жол бермеңіз.
- Құрылғыны соққыдан, құлаудан, дірілден және басқа да механикалық әсерлерден сақтаңыз.
- Төменгі ауа торын бөгде заттармен бұғаттаудан аулақ болыңыз, құрылғы жұмыс істеп тұрған кезде оны жабуға тыйым салынады.
- Құрылғыны кімді және басқа да тұрмыстық заттарды көптіру үшін пайдалануға тыйым салынады.
- Құрылғыны аэрозольдар немесе тез тұтанатын сұйықтықтар пайдаланылатын немесе шашырайтын жерлерде пайдалануға тыйым салынады, сондай-ақ құрылғыны мұндай сұйықтықтарды сақтау орындарында жақын жерлерде пайдалануға тыйым салынады.
- Құрылғыны басқа жылыту құрылғыларының, ашық оттың немесе жылу көздерінің тікелей жанында пайдаланбаңыз.
- Құрылғыны үй-жайдан тыс жерде пайдалануға тыйым салынады, ванна бөлмесінде пайдалану кезінде құрылғыны ең жақын араластырғыштан қашықтық кемінде 60 см болатындай етіп орналастырыңыз, бұл ретте су шашырауы ешбір жағдайда корпусқа және құрылғы корпусының ішіне түспеуі керек.
- Құрылғыны бассейндердің немесе су толтырылған басқа сыйымдылықтардың жанында пайдаланбаңыз.
- Егер құрылғы суға құлап кетсе, дереу қуаттандыру бауының ашасын электр розеткасынан суырыңыз, содан кейін ғана құрылғыны судан алып шығуға болады. Құрылғыны тексерту немесе жөндеу үшін сервис орталығына жүгінізіз.
- Құрылғы корпусын, қуаттандыру бауын және қуаттандыру бауының ашасын су қолмен ұстамаңыз.
- Найзағай кезінде құрылғыны пайдалану ұсынылмайды.
- Конвекторлық типті жылу желдеткіші жұмыс істеп тұрған кезде, корпус қатты қызады, күйіп қалмас үшін құрылғы корпусының ыстық бөліктеріне тиіспеңіз.
- Ыстық бұға күйіп қалудан сақтаныңыз.

- Желіге қосылған құрылғыны, қараусыз қалдырмаңыз.
- Құрылғыны пайдаланып болғаннан кейін немесе тазалау алдында электр желісінен ажыратыңыз.
- Конвекторлық типті жылу желдеткішті өшіріп, қуат сымның ашасын электр розеткасынан суырып алыңыз.
- Құрылғыны электр желісінен ажыратқанда қуаттандыру бауының ашасынан ұстаңыз және оны электр розеткасынан абайлап суырыңыз, қуаттандыру бауынан тартпаңыз — бұл оның зақымдануына әкеліп, қысқа тұйықталуын тудыруы мүмкін.
- Құрылғыны суға немесе кез-келген басқа сұйықтықтарға батыруға тыйым салынады.
- Егер конвекторлық типті жылу желдеткіші корпусына су тамшылары тиіп кетсе, оған қол тигізудің алдында, оны өшіріп, қуат сымның ашасын электр розеткасынан суырып алыңыз, содан кейін құрылғының корпусын құрғақ шүберекпен сүртіңіз.
- Балалардың қауіпсіздігі үшін қаптама ретінде пайдаланылатын, полиэтилен пакеттерді қадағалаусыз қалдырмаңыз.

НАЗАР АУДАРЫҢЫЗ! Балаларға полиэтилен пакеттермен немесе қаптамалық үлдірмен ойнауға рұқсат етпеңіз. **Тұншығу қаупі бар!**

- Құрылғы балалардың пайдалануына тағайындалмаған.
- Құрылғыны ойыншық ретінде пайдалануға жол бермеу үшін балаларды қадағалаңыз.
- Құрылғы жұмыс істеп тұрған кезде балаларға құрылғының корпусына, қуат сымна немесе қуат сымның ашасына тиісуге рұқсат бермеңіз.
- Егер жұмыс істеп тұрған құрылғының маңында балалар немесе мүмкіндіктері шектеулі адамдар болса, онда ерекше назарда болыңыз.
- Жұмыс істеу уақытында және жұмыс циклдары арасындағы үзілістерде құрылғыны балалардың қолы жетпейтін жерде орналастырыңыз.
- Аспап дене, сенсорлық, жүйке немесе сана мүмкіндіктері төмендетілген тұлғалардың (балаларды қоса) пайдалануына арналмаған, егер олар бақыланбаса немесе олардың қауіпсіздігі үшін жауап беретін тұлғамен аспапты пайдалану туралы нұсқаулықтар берілмеген болса, немесе олардың тәжірибесі немесе білімі болмаса.
- Қуаттандыру бауының бүтіндігін мерзім сайын тексеріп отырыңыз.
- Қуаттандыру бауы зақымданғанда қауіп тудырмау үшін оны дайындаушы, сервистік қызмет немесе баламалы білікті маман ауыстыруы тиіс.
- Бөгде иіс пайда болған жағдайда құрылғыны пайдалануды дереу тоқтатыңыз, бөгде иістің пайда болу себебін көзбен анықтауға тырысыңыз, ықтимал себебі, бұл бөгде заттың қыздыру элементіне

түсуі, егер мүмкін болса, қыздыру элементінен бөгде затты алып тастаңыз, олай болмаған жағдайда сервис орталығына жүгініңіз.

- Құрылғыны өздігіңізден жөндеуге тыйым салынады. Құрылғыны өздігіңізден бөлшектемеңіз, кез-келген ақаулықтар пайда болғанда, сондай-ақ құрылғы құлаған болса оны электр желісінен ажыратыңыз және сервис орталығына жүгініңіз.
- Құрылғыны зақымдамау үшін тек зауыттық қаптамада тасымалдаңыз.
- Құрылғыны салқын және құрғақ жерде, балалардың және мүмкіндігі шектеулі адамдардың қолы жетпейтін жерде сақтаңыз.

ҚҰРЫЛҒЫ ТЕК ТҰРМЫСТЫҚ ПАЙДАЛАНУҒА ҒАНА АРНАЛҒАН, ҚҰРЫЛҒЫНЫ КОММЕРЦИАЛЫҚ НЕМЕСЕ ЗЕРТХАНАЛЫҚ МАҚСАТТАРДА ПАЙДАЛАНУҒА ТЫЙЫМ САЛЫНАДЫ.

АЛҒАШ РЕТ ПАЙДАЛУ АЛДЫНДА

Құрылғыны кері температурада тасымалдағаннан немесе сақтағаннан кейін оны қаптамадан шығарыңыз және пайдаланудың алдында кем дегенде 3 сағат күтіңіз.

- Құрылғыны қаптамадан шығарыңыз және барлық қаптама материалдарын жойыңыз.
- Зауыт қаптамасын сақтап қойыңыз.
- Қауіпсіздік шаралары мен пайдалануға беруге қатысты ұсыныстармен танысыңыз.

- Жинақталымын тексеріңіз.
- Құрылғыны зақымдануының бар-жоқтығына тексеріп алыңыз зақымдануы болған жағдайда оны электр желіге қоспаңыз.
- Құрылғыда көрсетілген қуаттандыру кернеуінің параметрлері электр желісінің параметрлеріне сәйкес келетініне көз жеткізіңіз. Құрылғыны 60 Гц жиіліктегі электр желісінде пайдаланғанда, ешқандай қосымша әрекет қажет емес.
- Конвекторлық типті жылу желдеткіш корпусын сәл дымқыл шүберекпен сүртіңіз, содан кейін құрғатып сүртіңіз.

ҚҰРАСТЫРУ ЖӘНЕ ОРНАТУ

Еденге орнату

- Құрылғының корпусын аударыңыз. Еден тіректеріндегі тесіктерді (4) құрылғы корпусының төменгі жағындағы тиісті тесіктермен туралаңыз.
- Еден тіректерін (4) жеткізілім жиынтығына кіретін бұрандалармен бекітіңіз.

Ескерту: конвекторлық типті жылу желдеткішті тікелей еден тіректеріне (4) орнатуға болады (сурет. 1) немесе тіректерге (4) дөңгелектерін (5) салыңыз.

- Құрылғыны аударып, оны тегіс, орнықты бетке қойыңыз.

Қабырғаға бекіту

НАЗАР АУДАРЫҢЫЗ! Ванна бөлмесінде конвекторлық типті жылу желдеткішін қолданған кезде, құрылғыны ең жақын қоспалауышынан қашықтық кемінде 60 см болатындай етіп орналастырыңыз, осы ретте су шашырауы ешбір жағдайда корпусқа және құрылғы корпусының ішіне түспеуі керек.

Қабырғадағы тесіктерді бұрғыламас бұрын, бұл жерде электр сымдарының немесе басқа коммуникациялардың жоқ екеніне көз жеткізіңіз.

- Құрылғыны қабырғаға бекіту кезінде корпусың барлық жағынан кез-келген заттарға дейінгі қашықтық кемінде 300 мм болуы керек (сур. 2), электр розетка құрылғының корпусынан төмен болуы керек, ал электр розеткасына кіру қолжетімді болуы керек.
- Құрылғыны қабырғаға бекіту кезінде дөңгелектері (5) бар еден тіректері (4) пайдаланылмайды.
- Алдымен жоғарғы кронштейндерге (6) арналған қабырғадағы тесіктерді белгілеңіз (сур. 3).
- Қабырғада диаметрі 8 мм болатын екі тесікті қажетті тереңдікке бұрғылаңыз.
- Бұрғыланған тесіктерге дюбельдерді (сур. 3) салыңыз, бекіту бұрандаларын бекіту бұрандасы кронштейнге (6) өтетіндей етіп бұраңыз.
- Бұрандалардың басын жоғарғы қабырға кронштейніндегі (6) тесіктермен туралаңыз, құрылғыны

солға сырғытыңыз және төмен түсіріңіз, конвекторлық типті жылу желдеткіші қисаймай ілулі тұрғанына көз жеткізіңіз (сур. 4).

- Төменгі бекіту кронштейндері (6) үшін бұрғылау тесіктерін белгілеңіз.
- Құрылғыны қабырғадан шешіп алыңыз.
- Төменгі кронштейндерді (6) бекіту үшін қабырғаға диаметрі 8 мм тесіктерді қажетті тереңдікке бұрғылаңыз.
- Бұрғыланған тесіктерге дюбельдерді салыңыз.
- Бұрандалардың бастарын жоғарғы қабырға кронштейніндегі (6) тесіктермен туралаңыз, құрылғыны солға сырғытыңыз және төмен түсіріңіз, конвекторлық типті жылу желдеткіштің жоғарғы кронштейндерге (6) мықтап бекітілгеніне көз жеткізіңіз.
- Төменгі кронштейндерді (6) екі бұрандамен бекітіңіз, конвекторлық типті жылу желдеткіштің қабырғаға мықтап бекітілгеніне көз жеткізіңіз (сур. 5).

КОНВЕКТОРЛЫҚ ТИПТІ ЖЫЛУ ЖЕЛДЕТКІШТІ ПАЙДАЛАНУ

- Конвекторлық типті жылу желдеткішті тегіс, құрғақ, ылғалға және ыстыққа төзімді бетке тігінен орнатыңыз, оны көлденең қоймаңыз және аудармаңыз.
- Еденге орнату жағдайында тек еден тіректерін (4) пайдалануға болады немесе тіректерге (4) дөңгелектерді (5) салуға болады.

- Конвекторлық типті жылу желдеткішті жұмсақ беттерге, мысалы, ұзын түкті кілем үстіне, диванға немесе төсекке орнатуға тыйым салынады.
 - Конвекторлық типті жылу желдеткішінен интерьер заттарына дейінгі қашықтық кемінде 1 м болуы керек.
 - Электр желісінің шамадан тыс жүктелуіне жол бермеу үшін үлкен қуат тұтынуы бар бірнеше құрылғыны бір уақытта қоспаңыз.
 - Қуаттандыру бауының ашасын электр розеткасына тығыңыз.
 - Қуат қосқышын (3) қажетті күйге орнатыңыз:
 - «0» — құрылғы өшірілуі;
 - «I» — құрылғы қосылуы.
 - Термостат реттегішінің тұтқасын (2) сағат тілімен тоқтағанша бұраңыз. Белмедегі қажетті ауа температурасына жеткенде, термостат реттегішінің тұтқасын (2) сағат тіліне қарсы бағытта шертілгенге дейін бұраңыз, термостаттың бұл күйінде үй-жайдағы ауа температурасы сақталады.
 - Үй-жайдағы ауа температурасын жоғарылату үшін термостат реттегішінің тұтқасын (2) сағат тілімен, ал азайту үшін сағат тіліне қарсы бұраңыз.
- Ескертпе:** егер термостат реттегіші үй-жайдағы ауа температурасы өлшеммен бірдей болса, жылу желдеткіш қосылмайды.
- Жұмыс аяқталғаннан кейін термостат реттегішінің тұтқасын (2) сағат тіліне қарсы тірелгенге дейін бұраңыз, қуат қосқышын (3)

- «0» күйіне орнатыңыз және қуат сымның ашасын электр розеткасынан суырып алыңыз.
- Ескертпе:** алғаш рет қосқан кезде аздаған түтін мен бөтен иіс пайда болуы мүмкін, бұл қалыпты құбылыс және кепілдік жағдайы болып табылмайды.

ШЫҒАТЫН АУА ТЕМПЕРАТУРАСЫНЫҢ АРТУЫ КЕЗІНДЕГІ АВАРИЯЛЫҚ АЖЫРАТУ ФУНКЦИЯСЫ

- Егер шығатын ауаның температурасы рұқсат етілген мәннен асып кетсе, онда автоматты термо сақтағыш іске қосылады және конвекторлық типті жылу желдеткіші өшеді.
- Қуат қосқышын (3) «0» күйіне орнатыңыз және қуат сымның ашасын электр розеткасынан суырып алыңыз, құрылғыны шамамен 15-25 минут суытыңыз (күту уақыты үй-жайдағы ауа температурасына байланысты), содан кейін ғана оны қайтадан қосуға болады.
- Төменгі және жоғарғы ауа торларының бөгде заттардан бос екеніне көз жеткізіңіз.
- Қуат сымның ашасын электр розеткасына салыңыз да, құрылғыны қосыңыз.
- Егер конвекторлық типті жылу желдеткіш жұмыс істемесе, бұл басқа ақаулыққа байланысты болуы мүмкін, бұл жағдайда құрылғыны жөндеу үшін сервис орталығына жүгініңіз.

ҚҰЛАП КЕТУДЕН ҚОРҒАНЫС

- Егер конвекторлы типті жылу желдеткіш кездейсоқ құлап кетсе немесе қатты қисайып кетсе, онда құлаудан қорғайтын құрылғы іске қосылады және құрылғы өшеді.
- Конвекторлық типті жылу желдеткішін тік күйге орнатыңыз, құрылғы жұмысын жалғастырады.
- Ескертпе: - құрылғының құлап кетуіне жол бермеу үшін, құрылғыны тегіс, құрғақ және орнықты жерге орнатыңыз.

ТАЗАРТУ ЖӘНЕ КҮТІМІ

- Конвекторлық типті жылу желдеткішті тазаламас бұрын, қуат қосқышын (3) «0» күйіне орнатыңыз, қуат сымның ашасы электр розеткасына салынбағанына көз жеткізіңіз.
- Құрылғының корпусын сәл дымқыл шүберекпен сүртіңіз, содан кейін құрғатып сүртіңіз.
- Құрылғыны тазарту үшін сұйық жуғыш заттарды, абразивті тазартқыштарды және кез-келген еріткіштерді пайдалануға тыйым салынады.
- Электр тогының соғу қаупін болдырмас үшін құрылғы корпусына судың немесе басқа сұйықтықтың енуіне жол бермеңіз.
- Ауа торларын тазарту үшін тиісті саптамасы бар шаңсорғышты пайдалана аласыз.

САҚТАУ

- Конвекторлық типті жылу желдеткішін тазартудан кейін оны сақтау үшін құрғақ, салқын, балалардың және мүмкіндігі шектеулі адамдардың қолы жетпейтін орынға алып қойыңыз.
- Конвекторлық типті жылу желдеткішін кейіннен пайдалану алдында құрылғының жұмыс істеу қабілетін, қуат сымы оқшаулағышы зақымданбауын және қуат сымы ашасының бүтіндігін тексеру ұсынылады.

ЖЕТКІЗІЛІМ ЖИЫНТЫҒЫ

1. Конвекторлық типті жылу желдеткіші – 1 дн.
2. Еден тіректері – 2 дн.
3. Дөңгелектер – 4 дн.
4. Нұсқаулық – 1 дн.

ТЕХНИКАЛЫҚ СИПАТТАМАЛАРЫ

- Электр қуаттандыруы: 220-240 В, ~ 50-60 Гц
- Номиналды тұтыну қуаты: 1500 Вт
- Жылыту ауданы: 20 м²
- Қорғаныс дәрежесі – IP24

КӘДЕГЕ АСЫРУ



Қалдықтардың бақыланбай кәдеге асыруынан қоршаған ортаға немесе адамдардың денсаулығына зиян келтірмеу үшін, құрылғының немесе қуаттандыру элементтерінің (егер жиынтыққа кірсе) қызмет ету мерзімі аяқталғаннан кейін оларды әдеттегі тұрмыстық қалдықтармен бірге тастамаңыз, аспапты және қуаттандыру элементтерін одан әрі кәдеге асыру үшін арнайы пункттерге жіберіңіз.

Бұйымдарды кәдеге асыру кезінде пайда болатын қалдықтар белгіленген тәртіп бойынша келесі кәдеге асырылатын тәртіппен міндетті түрде жинауға жатады.

Берілген өнімді кәдеге асыру туралы қосымша ақпаратты алу үшін жергілікті муниципалитетке, тұрмыстық қалдықтарды пайдаға асыру қызметіне немесе осы өнімді сатып алған дүкенге жүгініңіз.

Өндіруші алдын-ала ескертусіз, құрылғының дизайнын, конструкциясы мен оның жалпы жұмыс ұстанымдарына әсер етпейтін техникалық сипаттамаларын өзгерту құқығын өзіне қалдырады.

Құрылғының қызмет ету мерзімі — 3 жыл

Өндірілген күні сериялық нөмірде көрсетілген.

Қандай да бір ақаулықтар табылған жағдайда дереу авторландырылған сервистік орталыққа жүгіну керек.

Hergestellt für «Ruste GmbH»,
Berggasse 18/18, 1090 Wien,
Österreich

Produced for «Ruste GmbH»,
Berggasse 18/18, 1090 Vienna, Austria

Изготовлено по заказу Русте Гмбх,
Бергассе 18/18, 1090 Вена, Австрия

Уполномоченное изготовителем
лицо: ООО «Грантэл»
143912, МО, г. Балашиха,
ш. Энтузиастов, вл. 1А
т.: +7 (495) 297-50-20,
e-mail: info@brayer.su

Made in China/Произведено в Китае



brayer.ru



<https://tm.by>
Интернет-магазин