

# CANDY

CMW20SMW-07

CMW20SMB-07

**MICROWAVE OVENS**

*USER INSTRUCTIONS*

GB

**МИКРОВОЛНОВЫЕ ПЕЧИ**

*ИНСТРУКЦИИ ДЛЯ ПОЛЬЗОВАТЕЛЯ*

RU



GB

**CANDY**

Microwave Oven

INSTRUCTION MANUAL

**MODEL:CMW20SMW-07  
CMW20SMB-07**

**Read these instructions carefully before using your microwave oven, and keep it carefully.**

If you follow the instructions, your oven will provide you with many years of good service.

**SAVE THESE INSTRUCTIONS CAREFULLY**

## PRECAUTIONS TO AVOID POSSIBLE EXPOSURE TO EXCESSIVE MICROWAVE ENERGY

- (a) Do not attempt to operate this oven with the door open since this can result in harmful exposure to microwave energy. It is important not to break or tamper with the safety interlocks.
- (b) Do not place any object between the oven front face and the door or allow soil or cleaner residue to accumulate on sealing surfaces.
- (c) **WARNING:** If the door or door seals are damaged, the oven must not be operated until it has been repaired by a competent person.

## ADDENDUM

If the apparatus is not maintained in a good state of cleanliness, its surface could be degraded and affect the lifespan of the apparatus and lead to a dangerous situation.

## Specifications

Model:	CMW20SMW-07 / CMW20SMB-07
Rated Voltage:	230V~ 50Hz
Rated Input Power(Microwave):	1050 W
Rated Output Power(Microwave):	700 W
Oven Capacity:	20 L
Turntable Diameter:	∅ 255 mm
External Dimensions:	439.5x357.5x258.2mm
Net Weight:	Approx.10kg

## IMPORTANT SAFETY INSTRUCTIONS

### WARNING

To reduce the risk of fire, electric shock, injury to persons or exposure to excessive microwave oven energy when using your appliance, follow basic precautions, including the following:

1. Read and follow the specific: "PRECAUTIONS TO AVOID POSSIBLE EXPOSURE TO EXCESSIVE MICROWAVE ENERGY".
2. This appliance can be used by children aged from 8 years and above and persons with reduced physical, sensory or mental capabilities or lack of experience and knowledge if they have been given supervision or instruction concerning use of the appliance in a safe way and understand the hazards involved. Children shall not play with the appliance. Cleaning and user maintenance shall not be made by children without supervision.
3. Keep the appliance and its cord out of reach of children less than 8 years.
4. If the supply cord is damaged, it must be replaced by the manufacturer, its service agent or similarly qualified persons in order to avoid a hazard.
5. **WARNING:** Ensure that the appliance is switched off before replacing the lamp to avoid the possibility of electric shock.
6. **WARNING:** It is hazardous for anyone other than a competent person to carry out any service or repair operation that involves the removal of a cover which gives protection against exposure to microwave energy.

7. **WARNING:** Liquids and other foods must not be heated in sealed containers since they are liable to explode.
8. When heating food in plastic or paper containers, keep an eye on the oven due to the possibility of ignition.
9. Only use utensils that are suitable for use in microwave ovens.
10. If smoke is emitted, switch off or unplug the appliance and keep the door closed in order to stifle any flames.
11. Microwave heating of beverages can result in delayed eruptive boiling, therefore care must be taken when handling the container.
12. The contents of feeding bottles and baby food jars shall be stirred or shaken and the temperature checked before consumption, in order to avoid burns.
13. Eggs in their shell and whole hard-boiled eggs should not be heated in microwave ovens since they may explode, even after microwave heating has ended.
14. The oven should be cleaned regularly and any food deposits removed.
15. Failure to maintain the oven in a clean condition could lead to deterioration of the surface that could adversely affect the life of the appliance and possibly result in a hazardous situation.
16. The appliance must not be installed behind a decorative door in order to avoid overheating. (This is not applicable for appliances with decorative door.)
17. Only use the temperature probe recommended for this oven. (for ovens provided with a facility to use a temperature-sensing probe.)

18. The microwave oven shall not be placed in a cabinet unless it has been tested in a cabinet.
19. The microwave oven must be operated with the decorative door open. (for ovens with a decorative door.)
20. This appliance is intended to be used in household and similar applications such as:
  - staff kitchen areas in shops, offices and other working environments;
  - by clients in hotels, motels and other residential type environments;
  - farm houses;
  - bed and breakfast type environments.
21. The microwave oven is intended for heating food and beverages. Drying of food or clothing and heating of warming pads, slippers, sponges, damp cloth and similar may lead to risk of injury, ignition or fire.
22. Metallic containers for food and beverages are not allowed during microwave cooking.
23. The appliance shall not be cleaned with a steam cleaner.
24. The appliance is intended to be used freestanding.
25. The rear surface of appliances shall be placed against a wall.

**READ CAREFULLY AND KEEP FOR FUTURE  
REFERENCE**

# To Reduce the Risk of Injury to Persons Grounding Installation

## DANGER

Electric Shock Hazard  
Touching some of the internal components can cause serious personal injury or death. Do not disassemble this appliance.

## WARNING

Electric Shock Hazard  
Improper use of the grounding can result in electric shock. Do not plug into an outlet until appliance is properly installed and grounded.

This appliance must be grounded. In the event of an electrical short circuit, grounding reduces the risk of electric shock by providing an escape wire for the electric current. This appliance is equipped with a cord having a grounding wire with a grounding plug. The plug must be plugged into an outlet that is properly installed and grounded.

Consult a qualified electrician or serviceman if the grounding instructions are not completely understood or if doubt exists as to whether the appliance is properly grounded. If it is necessary to use an extension cord, use only a 3-wire extension cord.

1. A short power-supply cord is provided to reduce the risks resulting from becoming entangled in or tripping over a longer cord.
2. If a long cord set or extension cord is used:
  - 1)The marked electrical rating of the cord set or extension cord should be at least as great as the electrical rating of the appliance.
  - 2)The extension cord must be a grounding-type 3-wire cord.
  - 3)The long cord should be arranged so that it will not drape over the counter top or tabletop where it can be pulled on by children or tripped over unintentionally.



## CLEANING

Be sure to unplug the appliance from the power supply.

1. Clean the cavity of the oven after using with a slightly damp cloth.
2. Clean the accessories in the usual way in soapy water.
3. The door frame and seal and neighbouring parts must be cleaned carefully with a damp cloth when they are dirty.
4. Do not use harsh abrasive cleaners or sharp metal scrapers to clean the oven door glass since they can scratch the surface, which may result in shattering of the glass.
5. Cleaning Tip---For easier cleaning of the cavity walls that the food cooked can touch: Place half a lemon in a bowl, add 300ml (1/2 pint) water and heat on 100% microwave power for 10 minutes. Wipe the oven clean using a soft, dry cloth.

## UTENSILS

### CAUTION

#### Personal Injury Hazard

It is hazardous for anyone other than a competent person to carry out any service or repair operation that involves the removal of a cover which gives protection against exposure to microwave energy.

See the instructions on "Materials you can use in microwave oven or to be avoided in microwave oven."

There may be certain non-metallic utensils that are not safe to use for microwaving. If in doubt, you can test the utensil in question following the procedure below.

Utensil T est:

1. Fill a microwave-safe container with 1 cup of cold water (250ml) along with the utensil in question.
2. Cook on maximum power for 1 minute.
3. Carefully feel the utensil. If the empty utensil is warm, do not use it for microwave cooking.
4. Do not exceed 1 minute cooking time.

## Materials you can use in microwave oven

Utensils	Remarks
Browning dish	Follow manufacturer's instructions. The bottom of browning dish must be at least 3/16 inch (5mm) above the turntable. Incorrect usage may cause the turntable to break.
Dinnerware	Microwave-safe only. Follow manufacturer's instructions. Do not use cracked or chipped dishes.
Glass jars	Always remove lid. Use only to heat food until just warm. Most glass jars are not heat resistant and may break.
Glassware	Heat-resistant oven glassware only. Make sure there is no metallic trim. Do not use cracked or chipped dishes.
Oven cooking bags	Follow manufacturer's instructions. Do not close with metal tie. Make slits to allow steam to escape.
Paper plates and cups	Use for short-term cooking/warming only. Do not leave oven unattended while cooking.
Paper towels	Use to cover food for reheating and absorbing fat. Use with supervision for a short-term cooking only.
Parchment paper	Use as a cover to prevent splattering or a wrap for steaming.
Plastic	Microwave-safe only. Follow the manufacturer's instructions. Should be labeled "Microwave Safe". Some plastic containers soften, as the food inside gets hot. "Boiling bags" and tightly closed plastic bags should be slit, pierced or vented as directed by package.
Plastic wrap	Microwave-safe only. Use to cover food during cooking to retain moisture. Do not allow plastic wrap to touch food.
Thermometers	Microwave-safe only (meat and candy thermometers).
Wax paper	Use as a cover to prevent splattering and retain moisture.

## Materials to be avoided in microwave oven

Utensils	Remarks
Aluminum tray	May cause arcing. Transfer food into microwave-safe dish.
Food carton with metal handle	May cause arcing. Transfer food into microwave-safe dish.
Metal or metal-trimmed utensils	Metal shields the food from microwave energy. Metal trim may cause arcing.
Metal twist ties	May cause arcing and could cause a fire in the oven.
Paper bags	May cause a fire in the oven.
Plastic foam	Plastic foam may melt or contaminate the liquid inside when exposed to high temperature.
Wood	Wood will dry out when used in the microwave oven and may split or crack.

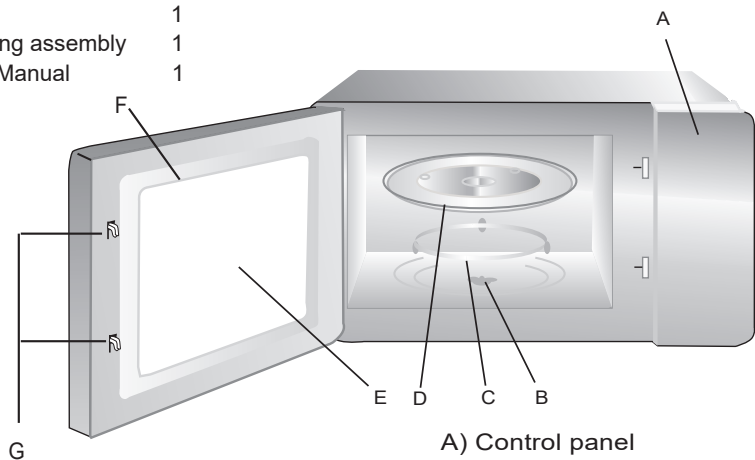
## SETTING UP YOUR OVEN

### Names of Oven Parts and Accessories

Remove the oven and all materials from the carton and oven cavity.

Your oven comes with the following accessories:

Glass tray	1
Turntable ring assembly	1
Instruction Manual	1



- A) Control panel
- B) Turntable shaft
- C) Turntable ring assembly
- D) Glass tray
- E) Observation window
- F) Door assembly
- G) Safety interlock system

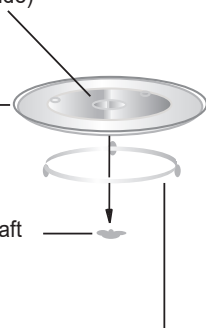
### Turntable Installation

Hub (underside)

Glass tray

Turntable shaft

Turntable ring assembly



- a. Never place the glass tray upside down. The glass tray should never be restricted.
- b. Both glass tray and turntable ring assembly must always be used during cooking.
- c. All food and containers of food are always placed on the glass tray for cooking.
- d. If glass tray or turntable ring assembly cracks or breaks, contact your nearest authorized service center.

## Countertop Installation

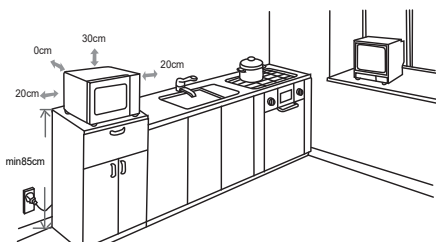
Remove all packing material and accessories. Examine the oven for any damage such as dents or broken door. Do not install if oven is damaged.

Cabinet: Remove any protective film found on the microwave oven cabinet surface.

Do not remove the light brown Mica cover that is attached to the oven cavity to protect the magnetron.

## Installation

1. Select a level surface that provide enough open space for the intake and/or outlet vents.



(1) The minimum installation height is 85cm.

(2) The rear surface of appliance shall be placed against a wall.

Leave a minimum clearance of 30cm above the oven, a minimum clearance of 20cm is required between the oven and any adjacent walls.

(3) Do not remove the legs from the bottom of the oven.

(4) Blocking the intake and/or outlet openings can damage the oven.

(5) Place the oven as far away from radios and TV as possible. Operation of microwave oven may cause interference to your radio or TV reception.

2. Plug your oven into a standard household outlet. Be sure the voltage and the frequency is the same as the voltage and the frequency on the rating label.

**WARNING:** Do not install oven over a range cooktop or other heat-producing appliance. If installed near or over a heat source, the oven could be damaged and the warranty would be void.

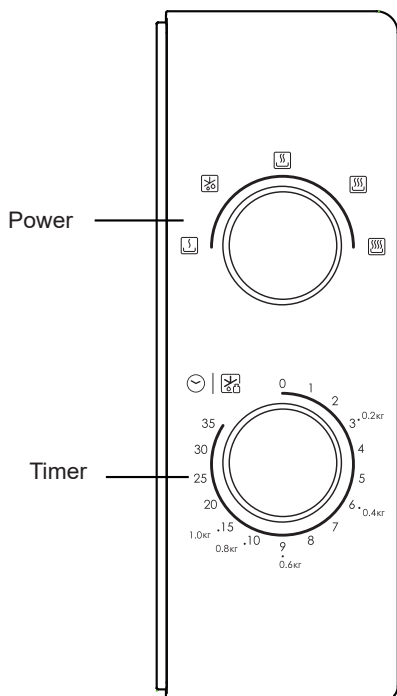
The accessible surface may be hot during operation.








## OPERATION

### Control Panel and Features

### Operation Instructions



1. To set cooking power by turning the power knob to desired level.
2. To set the time of cooking by turning the timer knob to desired time per your food cooking guide.
3. The microwave oven will automatically start cooking after power level and time are set.
4. After the cooking time is up, the unit will "Dong" to stop.
5. If the unit is not in use, always set time to "0".

Function/Power	Output	Application
	119W	Soften ice cream
	231W	Soup stew, soften butter or defrost
	385W	Stew, fish
	539W	Rice, fish, chicken, ground meat
	700W	Reheat, milk, boil water, vegetables, beverage

**Notice: When removing food from the oven, please ensure that the oven power is switched off by turning the timer switch to 0 (zero). Failure to do so, and operating the microwave oven without food in it, can result in overheating and damage to the magnetron.**

## Trouble shooting

Normal	
Microwave oven interfering TV reception	Radio and TV reception may be interfered when microwave oven operating. It is similar to the interference of small electrical appliances, like mixer, vacuum cleaner, and electric fan. It is normal.
Dim oven light	In low power microwave cooking, oven light may become dim. It is normal.
Steam accumulating on door, hot air out of vents	In cooking, steam may come out of food. Most will get out from vents. But some may accumulate on cool place like oven door. It is normal.
Oven started accidentally with no food in.	It is forbidden to run the unit without any food inside. It is very dangerous.

Trouble	Possible Cause	Remedy
Oven can not be started.	(1) Power cord not plugged in tightly.	Unplug. Then plug again after 10 seconds.
	(2) Fuse blowing or circuit breaker works.	Replace fuse or reset circuit breaker (repaired by professional personnel of our company)
	(3) Trouble with outlet.	Test outlet with other electrical appliances.
Oven does not heat.	(4) Door not closed well.	Close door well.



This appliance is labelled in accordance with European Directive 2012/19/EU on Waste Electrical and Electronic Equipment Regulations 2013 regarding electric and electronic appliances (WEEE). The WEEE contain both polluting substances (that can have a negative effect on the environment) and base elements (that can be reused). It is important that the WEEE undergo specific treatments to correctly remove and dispose of the pollutants and recover all the materials. Individuals can play an important role in ensuring that the WEEE do not become an environmental problem; it is essential to follow a few basic rules:

- the WEEE should not be treated as domestic waste;
- the WEEE should be taken to dedicated collection areas managed by the town council or a registered company.

In many countries, domestic collections may be available for large WEEEs. When you buy a new appliance, the old one can be returned to the vendor who must accept it free of charge as a one-off, as long as the appliance is of an equivalent type and has the same functions as the purchased appliance.

RU

**CANDY**

Микроволновая печь

**РУКОВОДСТВО ПО  
ЭКСПЛУАТАЦИИ**

**МОДЕЛЬ: CMW20SMW-07  
CMW20SMB-07**

**Перед использованием микроволновой печи  
внимательно прочитайте данную инструкцию  
и сохраните ее.**

При соблюдении инструкций микроволновая печь прослужит  
вам долгие годы.

**СОХРАНИТЕ ЭТУ ИНСТРУКЦИЮ**

**EAC**

# МЕРЫ ПРЕДОСТОРОЖНОСТИ ПРОТИВ ВОЗМОЖНОГО ВОЗДЕЙСТВИЯ МИКРОВОЛНОВОГО ИЗЛУЧЕНИЯ

(а) Не пытайтесь эксплуатировать микроволновую печь с открытой дверцей, поскольку это может привести к вредному облучению микроволновой энергией. Важно не ломать и не портить каким-либо образом защитные фиксаторы дверцы.

(b) Не помещайте никакие предметы между дверцей и передней панелью микроволновой печи и не допускайте скапливания грязи или остатков чистящих средств на уплотнительных поверхностях.

(с) **ВНИМАНИЕ:** В случае повреждения дверцы или уплотнительных поверхностей не включайте печь, пока ее не отремонтирует квалифицированный специалист.

## ДОПОЛНЕНИЕ

Если устройство не поддерживается в чистоте, его поверхность может повредиться, что повлияет на срок службы устройства и приведет к возникновению опасной ситуации.

### Технические характеристики

Модель:	CMW20SMW-07 / CMW20SMB-07
Номинальное напряжение:	230 В/50 Гц
Номинальная входная мощность (микроволновый нагрев):	1050 Вт
Номинальная выходная мощность (микроволновый нагрев):	700 Вт
Внутренний объем печи:	20 л
Диаметр поворотного стола:	Ø 255 мм
Внешние размеры:	439,5x357,5x258,2 мм
Вес нетто:	Прибл. 10 кг



## ВАЖНЫЕ УКАЗАНИЯ ПО ТЕХНИКЕ БЕЗОПАСНОСТИ

Чтобы снизить риск возгорания, поражения электрическим током, травмирования людей или воздействия чрезмерной энергии микроволновой печи при использовании устройства, соблюдайте основные меры предосторожности, включая следующие:

1. Прочтите и следуйте указаниям: «**МЕРЫ ПРЕДОСТОРОЖНОСТИ ПРОТИВ ВОЗМОЖНОГО ВОЗДЕЙСТВИЯ МИКРОВОЛНОВОГО ИЗЛУЧЕНИЯ**»
2. Данный прибор не предназначен для использования лицами (включая детей) с пониженными физическими, психическими или умственными способностями или при отсутствии у них опыта или знаний, если они не находятся под контролем или не проинструктированы об использовании прибора лицом, отвечающим за их безопасность.
3. Дети должны находиться под присмотром для недопущения игры с прибором. Все упаковочные материалы должны храниться в недоступном для детей месте (риск удушения)
4. Микроволновая печь и ее провод должны находиться в недоступном для детей (младше 8 лет) месте.
5. При повреждении кабеля питания во избежание возможной опасности его замену должен осуществлять производитель, его сервисный представитель или лица с подобной квалификацией.
6. **ПРЕДУПРЕЖДЕНИЕ.** Перед заменой лампы убедитесь, что прибор выключен, во избежание поражения электрическим током.
7. **ПРЕДУПРЕЖДЕНИЕ.** Выполнение любых операций по обслуживанию или ремонту, связанных со снятием крышки, обеспечивающей защиту от

воздействия микроволновой энергии, опасно для человека, не являющегося квалифицированным специалистом.

8. ПРЕДУПРЕЖДЕНИЕ. Запрещается нагревать жидкости и другие продукты питания в герметично закрытых емкостях, поскольку они могут взорваться.
9. При разогревании продуктов в пластмассовых или бумажных контейнерах постоянно наблюдайте за печью в связи с возможностью воспламенения.
10. Пользуйтесь только посудой, пригодной для использования в микроволновых печах.
11. При обнаружении дыма выключите печь или выньте вилку из розетки и оставьте дверцу закрытой, чтобы пламя погасло.
12. Разогревание в микроволновой печи напитков может привести к задержанному во времени вскипанию, поэтому следует соблюдать осторожность при обращении с емкостями.
13. Во избежание ожогов содержимое бутылочек для кормления и баночек с детским питанием необходимо перемешивать или встряхивать, а также проверять температуру перед употреблением.
14. Яйца в скорлупе и сваренные вкрутую не следует разогревать в микроволновой печи, так как они могут взорваться даже после окончания разогрева.
15. Печь следует регулярно чистить и удалять остатки пищи.
16. Несоблюдение требования поддерживать чистоту печи может привести к изнашиванию поверхности, что может негативно сказаться на сроке службы прибора и стать возможной причиной опасной ситуации.
17. Во избежание перегрева прибор нельзя устанавливать за декоративной дверцей. (Это не относится к устройствам с декоративной дверцей)

18. Используйте только температурный датчик, рекомендованный для этой печи. (Для печей, оснащенных устройством для использования датчика температуры.)
19. Микроволновую печь нельзя размещать в шкафу, если она не была испытана для работы в шкафу.
20. Микроволновая печь должна работать с открытой декоративной дверцей. (для печей с декоративной дверцей.)
21. Этот электроприбор предназначен исключительно для домашнего использования, а также для следующего аналогичного применения:
  - в кухонных зонах для персонала в магазинах, офисах и других рабочих помещениях;
  - для клиентов гостиниц, мотелей и в других помещениях для проживания;
  - в загородных домах;
  - в гостиницах типа «постель и завтрак»
22. Микроволновая печь предназначена для нагревания продуктов питания и напитков. Сушка продуктов, предметов одежды и нагревание грелок, тапочек, губок, влажных тряпок и тому подобных материалов может стать причиной травмы, воспламенения или пожара.
23. Используйте данный электроприбор только по его прямому назначению, как описано в настоящем руководстве. Не нагревайте в микроволновой печи коррозирующие химические реактивы и их пары. Данная микроволновая печь предназначена исключительно для приготовления пищи, и не предназначена для промышленных или лабораторных применений. Использование этого устройства в условиях, отличных от домашних, или с функциями, отличными от обычных функций

домашнего хозяйства, такое как коммерческое использование опытными или обученными пользователями, исключено даже в указанных выше областях применения. Ненадлежащее использование устройства приводит к снижению срока его службы, оно может вызвать прекращение действия гарантии производителя. Производитель не несет ответственности за повреждение устройства, убыток или потери, вызванные использованием, не соответствующим домашним и бытовым условиям (даже если оно происходило в домашних или бытовых условиях).

24. Не включайте пустую микроволновую печь.
25. Запрещено использовать для приготовления в микроволновом режиме металлические емкости для продуктов и напитков.
26. Прибор не следует чистить пароочистителем.
27. Прибор предназначен для использования отдельностоящим, а не для встраивания.
28. Задняя поверхность устройства должна быть обращена к стене.

**ВНИМАТЕЛЬНО ПРОЧИТАЙТЕ И СОХРАНИТЕ ДЛЯ  
ДАЛЬНЕЙШЕГО ИСПОЛЬЗОВАНИЯ**

# Снижение риска травмирования людей при монтаже заземления

## ОПАСНОСТЬ

Опасность поражения электрическим током  
Прикосновение к некоторым внутренним компонентам может привести к серьезным травмам или смерти.  
Не разбирайте этот прибор.

## ПРЕДУПРЕЖДЕНИЕ

Опасность поражения электрическим током  
Неправильное использование заземления может привести к поражению электрическим током. Не подключайте устройство к розетке, пока оно не будет правильно установлено и заземлено.

Ни изготовитель, ни продавец не несут ответственности за повреждение печи или травмирование, обусловленное нарушением указаний по подключению к электрической сети.  
Этот прибор необходимо заземлить. В случае короткого замыкания заземление снижает риск поражения электротоком, обеспечивая отвод тока по проводу заземления.

Данное устройство оснащено кабелем, в котором имеется провод заземления с заземляющей вилкой. Штепсель должен быть подключен к розетке, которая правильно установлена и заземлена.

Проконсультируйтесь с квалифицированным электриком или сервисным специалистом, если инструкции по заземлению не совсем понятны или если есть сомнения в том, правильно ли заземлен прибор. Если необходимо использовать удлинитель, используйте только трехжильный удлинитель.

1. Короткий шнур питания предусмотрен для снижения рисков, возникающих в результате зацепления или спотыкания о длинный шнур.
2. Если используется длинный или удлинительный шнур:
  - 1) Обозначенный электрический номинал комплекта шнуров или удлинителя должен быть не меньше электрического номинала электроприбора.

- 2) Удлинительный шнур должен быть трехжильным шнуром с заземлением.
- 3) Длинный шнур должен быть расположен так, чтобы он не тянулся за столешницей или столом, где за него могут потянуть дети или случайно споткнуться.

## ЧИСТКА И УХОД

Обязательно отсоедините прибор от источника питания.

1. После использования протирайте камеру печи влажной тряпкой.
2. Промывайте стеклянный поворотный стол в мыльной воде.
3. В случае загрязнения протирайте рамку дверцы, уплотнительные поверхности и соседние участки влажной тряпкой.
4. Не используйте жесткие абразивные чистящие средства или острые металлические скребки, т.к. они могут поцарапать поверхность, что может привести к разрушению стекла.
5. Совет: для очистки стенок камеры печи, с которыми может соприкоснуться пища, приготовьте следующую смесь. Поместите половину лимона в миску, добавьте 300 мл воды и включите печь на 10 минут при 100% мощности. После этого протрите камеру мягкой сухой тканью.

# Посуда для приготовления в микроволновой печи

## ВНИМАНИЕ

### Опасность получения телесных повреждений

Выполнение любых операций по обслуживанию или ремонту, связанных со снятием крышки, обеспечивающей защиту от воздействия микроволновой энергии, опасно для человека, не являющегося квалифицированным специалистом.

См. инструкцию «Материалы, которые можно использовать или которых следует избегать в микроволновой печи». Может быть определенной неметаллическая посуда, небезопасная для использования в микроволновой печи. Если вы сомневаетесь, вы можете проверить данную посуду, следуя приведенной ниже процедуре.

Как проверить, подходит ли посуда:

1. Налейте 1 стакан холодной воды (250 мл) в контейнер, подходящий для использования в микроволновой печи, и поместите его в печь вместе с проверяемой посудой.
2. Нагревайте на максимальной мощности в течение 1 минуты.
3. Осторожно дотроньтесь до посуды. Если проверяемая посуда теплая - не используйте ее в микроволновой печи.
4. Не превышайте время нагрева более 1 минуты.

## Материалы, которые можно использовать в микроволновой печи

Посуда	Примечания
Посуда для запекания	Следуйте инструкциям производителя. Дно посуды для запекания должно находиться на высоте не менее 5 мм (3/16 дюйма) над поворотным столом. Неправильное использование может привести к поломке поворотного стола.
Столовая посуда	Только подходящая для использования в микроволновой печи. Следуйте инструкциям производителя. Не используйте посуду с трещинами или сколами.
Стекланные банки	Всегда снимайте крышку. Используйте только для нагрева пищи до тех пор, пока она не станет теплой. Большинство стеклянных банок не являются термостойкими и могут расколоться.
Стекланная посуда	Только термостойкая посуда для печи. Убедитесь в отсутствии металлической отделки. Не используйте посуду с трещинами или сколами.
Пакеты для приготовления пищи в печи	Следуйте инструкциям производителя. Не закрывать металлическим зажимом. Оставьте щели, чтобы пар выходил.
Бумажные тарелки и стаканы	Используйте только для краткосрочного приготовления пищи/разогрева. Не оставляйте печь без присмотра во время приготовления.
Бумажные полотенца	Используйте для покрытия пищи для повторного нагрева и впитывания жира. Используйте под наблюдением только для краткосрочного приготовления пищи.
Пергаментная бумага	Используйте в качестве крышки для предотвращения брызг или обертывания для пропаривания.
Пластик	Только подходящая для использования в микроволновой печи. Следуйте инструкциям производителя. Должен иметь маркировку «Безопасно для микро-волновой печи». Некоторые пластиковые контейнеры размягчаются, когда пища внутри нагревается. «Пакеты для варки» и плотно закрытые пластиковые пакеты следует разрезать, прокалывать или выпускать воздух в соответствии с указаниями на упаковке.
Пищевая пленка	Только подходящая для использования в микроволновой печи. Используйте для прикрытия пищи во время приготовления, чтобы сохранить влагу. Не допускайте контакта пленки с пищевыми продуктами.
Термометры	Только предназначенные для микроволновой печи (термометры для измерения температуры мяса и конфет).
Восковая бумага	Используйте в качестве крышки для предотвращения брызг и удержания влаги.

## Материалы, которых следует избегать в микроволновой печи

Посуда	Примечания
Алюминиевый лоток	Может вызвать искрение. Переложите пищу в блюдо, предназначенное для микроволновой печи.
Картонная коробка с металлической ручкой	Может вызвать искрение. Переложите пищу в блюдо, предназначенное для микроволновой печи.
Металлическая посуда или посуда с металлической отделкой	Металл защищает пищу от микроволновой энергии. Металлическая отделка может вызвать искрение.
Металлические стяжки	Может вызвать искрение и спровоцировать пожар в печи.
Бумажные пакеты	Могут вызвать пожар в печи.
Пенопласт	При воздействии высокой температуры пенопласт может расплавиться или загрязнить жидкость внутри пенопластовой емкости.
Древесина	При использовании в микроволновой печи древесина высыхает и может расколоться или растрескаться.



# НАСТРОЙКА ПЕЧИ

## Компоненты микроволновой печи

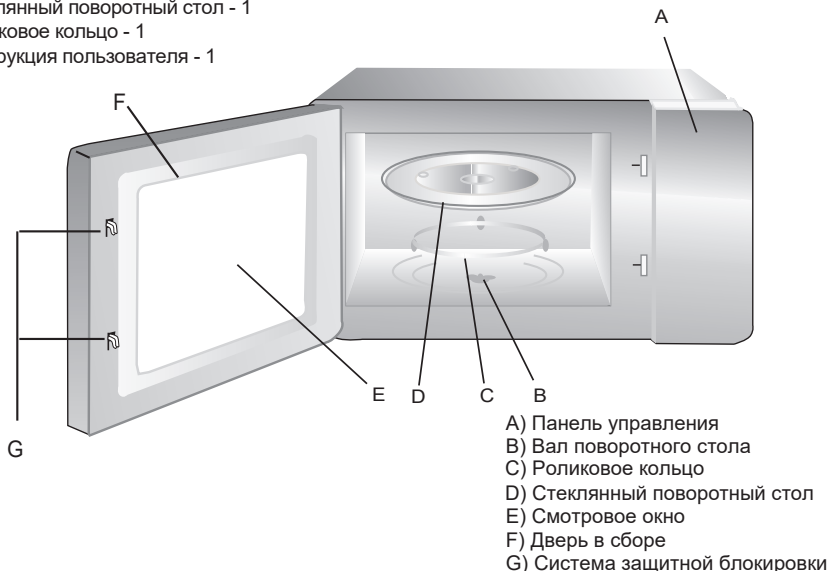
Достаньте печь и все материалы, находящиеся в коробке и камере печи.

Ваша микроволновая печь поставляется следующими комплектующими:

Стекланный поворотный стол - 1

Роликовое кольцо - 1

Инструкция пользователя - 1



## Установка поворотного стола



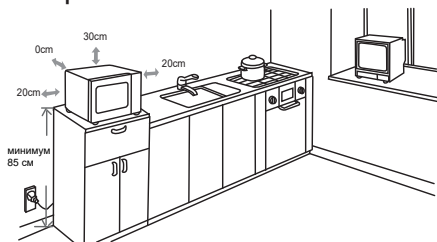
- Никогда не помещайте стекланный поворотный стол перевернутым. Никогда ничем не ограничивайте его вращение.
- Стекланный поворотный стол и роликовое кольцо всегда должны использоваться при работе печи.
- Все продукты или посуда должна всегда размещаться только на стекланный поворотный столе.
- Если поворотный стол или роликовое кольцо треснуло или сломалось, обратитесь в авторизованный сервисный центр.

Удалите все упаковочные материалы и вспомогательные принадлежности. Осмотрите печь на наличие повреждений, таких как вмятины или сломанная дверца. Не устанавливайте, если печь повреждена.

Корпус: Удалите всю защитную пленку, обнаруженную на поверхности корпуса микроволновой печи. Не снимайте светло-коричневую защитную крышку из слюды, которая прикреплена к полости печи для защиты магнетрона.

## Установка

1. Выберите ровную поверхность, которая обеспечивает достаточно открытого пространства для впускных и/или выпускных отверстий.



- (1) Минимальная высота установки составляет 85 см.
- (2) Задняя поверхность прибора должна быть обращена к стене. Оставьте минимальный зазор 30 см над печью, а также минимальный зазор 20 см между печью и любыми смежными стенами.
- (3) Не снимайте ножки с нижней части печи.
- (4) Блокировка впускных и/или выпускных отверстий может повредить печь.
- (5) Поместите печь как можно дальше от радиоприемников

и телевизора. Работа микроволновой печи может вызвать помехи в работе радио или телевизора.

2. Подключите печь к стандартной бытовой розетке. Убедитесь, что напряжение и частота совпадают с напряжением и частотой на табличке с номинальными характеристиками печи.

### ПРЕДУПРЕЖДЕНИЕ.

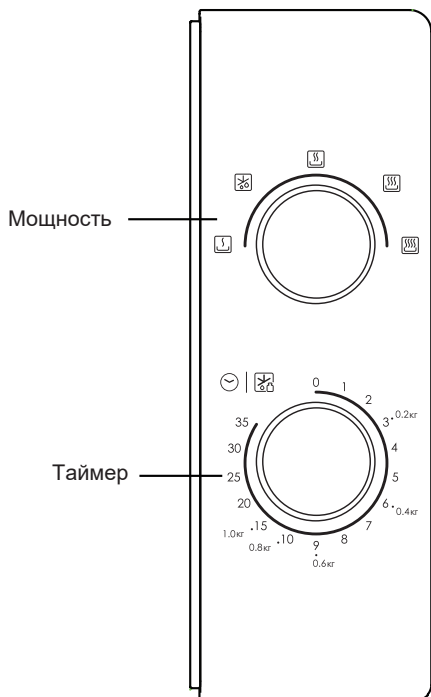
Не устанавливайте микроволновую печь на поверхность плиты или иной бытовой техники, выделяющей тепло. При установке вблизи или над источником тепла печь может быть повреждена, сервисная гарантия в данном случае не действует.

**Доступная поверхность может быть горячей во время работы.**



# ЭКСПЛУАТАЦИЯ

## Инструкции по эксплуатации панели управления и функций



1. Чтобы установить мощность приготовления, поверните ручку регулятора мощности до желаемого уровня.
2. Чтобы установить время приготовления, поверните ручку таймера на желаемое время в соответствии с руководством по приготовлению продуктов.
3. Микроволновая печь автоматически начнет готовить после установки уровня мощности и времени.
4. По истечении времени приготовления прибор издаст звуковой сигнал и остановится.
5. Если устройство не используется, всегда устанавливайте время на отметку «0».

Уровень мощности	Выходная мощность	Область применения
	119 Вт	Размягчение мороженого
	231 Вт	Готовый суп, размягченное сливочное масло или разморозка
	385 Вт	Рагу, рыба
	539 Вт	Рис, рыба, курица, мясной фарш
	700 Вт	Подогрев, молоко, кипячение, овощи, напитки

**Предупреждение:** При удалении пищи из печи убедитесь, что питание печи выключено, повернув переключатель таймера в положение 0 (ноль).  
Невыполнение этого требования и работа микроволновой печи без пищи в ней может привести к перегреву и повреждению магнетрона.

# Устранение неисправностей

Нормальное состояние	
Микроволновая печь создает помехи для приема ТВ сигнала	Во время работы микроволновой печи прием радио- и телевизионных сигналов может быть затруднен. Это похоже на помехи небольших электрических приборов, таких как миксер, пылесос и электрический вентилятор. Это нормально.
Тусклый свет печи	При приготовлении пищи в микроволновой печи малой мощности свет внутри может стать тусклым. Это нормально.
Накопление пара на двери, горячий воздух из вентиляционных отверстий	При приготовлении пищи из нее может выходить пар. Большинство выйдет из вентиляционных отверстий. Но некоторые могут накапливаться в прохладном месте, например, в дверце печи. Это нормально.
Печь случайно запустилась без еды.	Запрещено эксплуатировать устройство без продуктов внутри. Это очень опасно.

Неисправность	Возможная причина	Устранение
Печь не включается.	(1) Вилка не плотно вставлена в розетку	Отсоедините вилку от розетки. Затем снова подключите через 10 секунд.
	(2) Перегорание предохранителя или срабатывание автоматического выключателя	Замените предохранитель или сбросьте автоматический выключатель (ремонт должен быть произведен специалистом нашей компании)
	(3) Проблема с розеткой.	Проверьте розетку с другими электроприборами.
Печь не греет.	(4) Дверца закрыта не очень плотно.	Плотно закройте дверцу.



Данное устройство маркировано в соответствии с Европейской директивой 2012/19/EU о правилах утилизации электрического и электронного оборудования 2013 года, касающихся электрических и электронных приборов (WEEE). Электрическое и электронное оборудование (WEEE) содержит как загрязняющие вещества (которые могут оказывать негативное воздействие на окружающую среду), так и базовые элементы (которые могут быть использованы повторно). Важно, чтобы электрическое и электронное оборудование прошло специальную обработку для правильного изъятия и утилизации загрязняющих веществ, а также восстановления всех материалов. Физические лица могут играть важную роль в предотвращении негативного воздействия электрического и электронного оборудования на окружающую среду; необходимо следовать нескольким базовым правилам:

- с электрическим и электронным оборудованием запрещается обращаться как с бытовыми отходами;
- электрическое и электронное оборудование следует отнести в специальные места сбора, деятельность которых регулируется городским советом, либо управляемые зарегистрированной компанией.

Во многих странах для утилизации крупного электрического и электронного оборудования могут быть доступны внутренние программы сбора. При покупке новой бытовой техники во многих странах старую можно отдать продавцу, который обязан бесплатно принять ее в порядке «одна единица за одну», если оборудование относится к аналогичному типу и имеет те же функции, что и поставляемое оборудование.

Торговая марка	Candy
Тип продукции	Микроволновая печь
Производитель	«Candy Hoover Group S.r.l.», Via Comolli 16, 20861 Brugherio (MB), Италия
Фабрика	«Guangdong Midea Microwave and Electrical Appliances Manufacturing Co. Ltd» №6, Yong An Road, Beijao, Shunde, Foshan, Guangdong, 528311 China «Guangdong Midea Kitchen Appliances Manufacturing Co., Ltd» №6, Yong An Road, Beijao, Shunde, Foshan, Guangdong, 528311, China
Поставщик на территории РФ, уполномоченный на принятие претензий	ООО «Канди СНГ» Юр. и факт. адрес: 125167, Москва, Ленинградский проспект, 37 Тел.: +7 499 110 22 11; <a href="mailto:candymow@candy.ru">candymow@candy.ru</a> ; <a href="http://www.candy-home.com/ru/">www.candy-home.com/ru/</a>
Импортер	1)ООО «Канди СНГ», Юр. и факт. адрес: 125167, Москва, Ленинградский проспект, 37; Тел.: +7 499 1102211; <a href="mailto:candymow@candy.ru">candymow@candy.ru</a> ; <a href="http://www.candy-home.com/ru_RU/">www.candy-home.com/ru_RU/</a> 2)ООО "ХАСКЕЛ", 143401, Московская область, город Красногорск, бульвар Строителей, дом 4, корпус 1, этаж 8, кабинет 819 3) ООО «Мерлион», 143401, Московская область, город Красногорск, бульвар Строителей, дом 4, корпус 1, кабинет 819
Сертификат соответствия	Это изделие соответствует техническим регламентам Таможенного Союза: - ТР ТС 004/2011 «О соответствии низковольтного оборудования» - ТР ТС 020/2011 «Электромагнитная совместимость технических средств» Получить копию сертификата соответствия Вы можете в магазине, где приобретался товар или написав запрос на электронную почту <a href="mailto:candymow@candy.ru">candymow@candy.ru</a>
Орган по сертификации	«РОСТЕСТ-Москва» Акционерного общества «Региональный орган по сертификации и тестированию», аттестат RA.RU.10АЯ46
Срок гарантии	12 месяцев на территории Российской Федерации и Республики Казахстан 24 месяца на территории Республики Беларусь
Срок службы	7 лет
Серийный номер (S/N)	Серийный номер продукта состоит из 16 цифр (пример 390004851249XXXX), где:
<b>Серийный номер указан на этикетке, расположенной на задней части Вашего прибора.</b>	1. Первые 8 цифр составляют заводской код продукта. 2. Следующие 4 цифры обозначают дату производства. Например, 1249, где: 12 – год производства (2012 год), 49 – 49-ая неделя года 3. Последние четыре цифры – номер продукта в партии.

**Утилизация!**

- Упаковочные материалы: соблюдайте местные нормы по утилизации упаковочных материалов.
- Ваша микроволновая печь не должна выбрасываться вместе с бытовым мусором. Выведенный из строя прибор должен утилизироваться в соответствии с местными нормами
- Для уточнения правил утилизации просим Вас обратиться в специализированную государственную организацию или магазин.

Производитель не берет на себя ответственность за ошибки в данной инструкции, возникшие в процессе печати. Производитель имеет право вносить в свои изделия изменения, которые он сочтет полезными для своих изделий, сохраняя при этом основные характеристики.

Вся представленная в инструкции информация, касающаяся комплектации, технических характеристик, функций, цветовых сочетаний и т.д. носит информационный характер и ни при каких условиях не является публичной офертой. Изготовитель не устанавливает условия и положения покупки, они должны соответствовать требованиям регионального и/или национального законодательства страны продажи товаров.

**Утилизация!**

Обслуживанием бытовой техники занимаются авторизованные сервисные центры. Список сервисных центров можно найти на сайте [www.candy-home.com/ru\\_RU/](http://www.candy-home.com/ru_RU/) в разделе «Поддержка» или уточнить по телефону 8-800-707-0204



