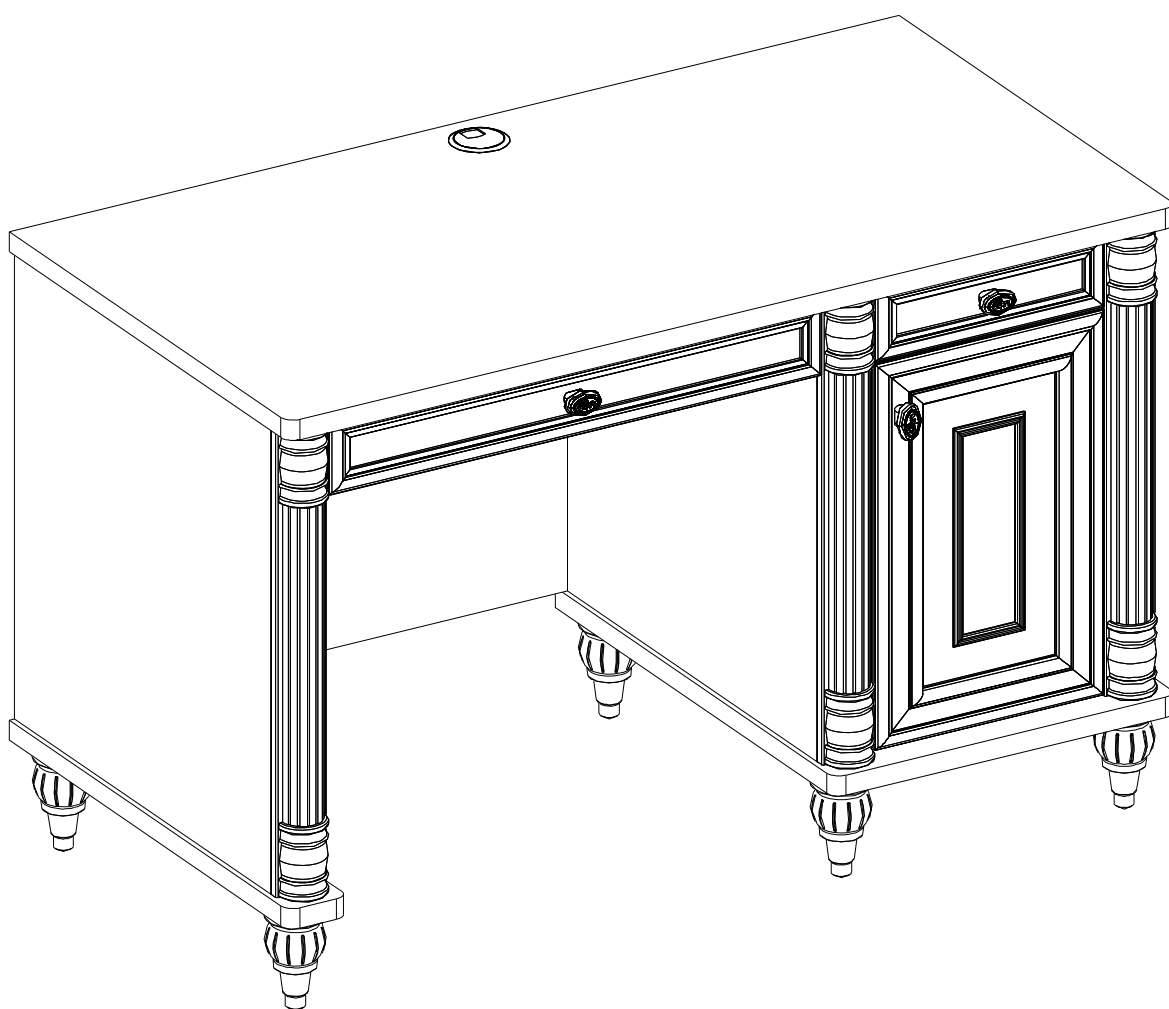
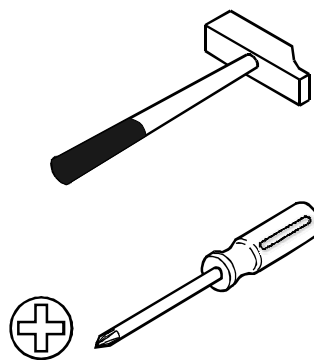
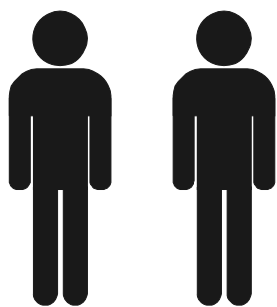
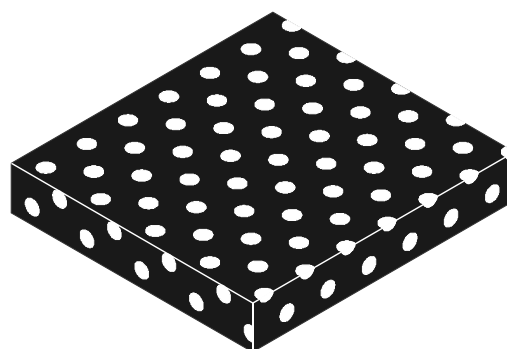


# 20.21.1105.00

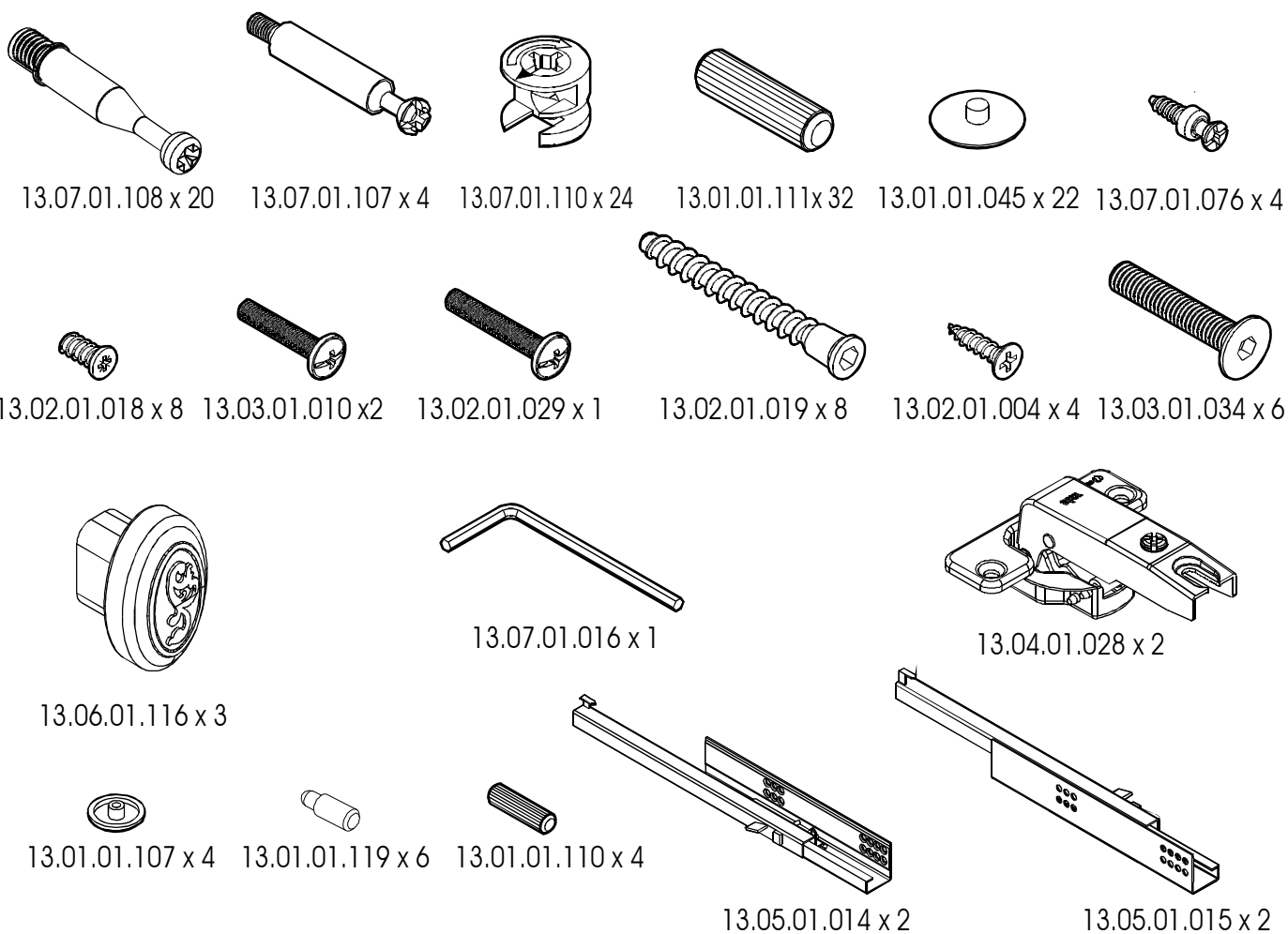




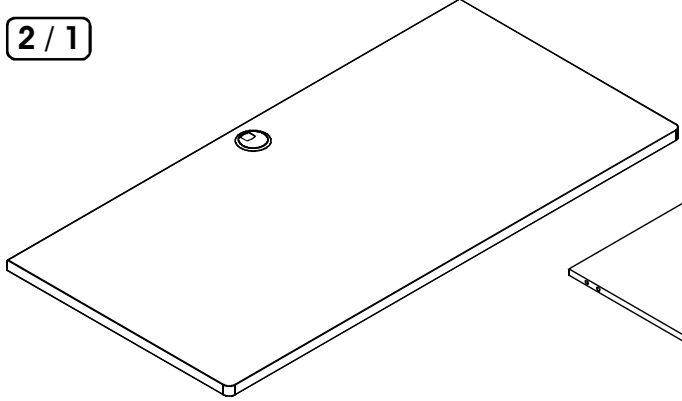
2 / 1



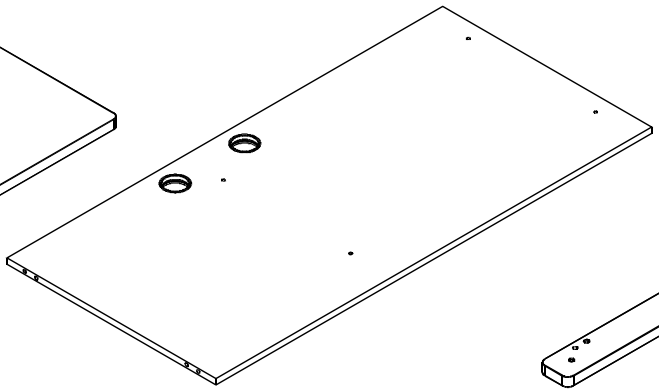
2 / 2



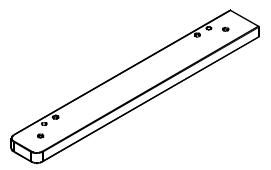
2 / 1



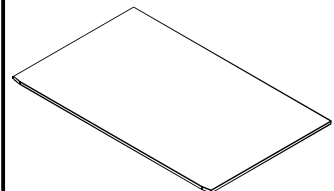
18.21.1105.011 x 1



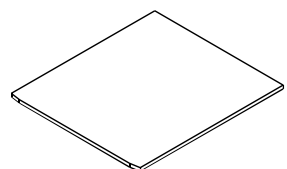
18.21.1105.005 x 1



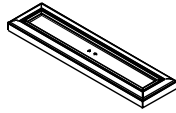
18.21.1105.029 x 1



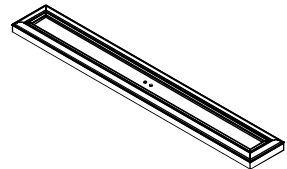
18.21.1105.028 x 1



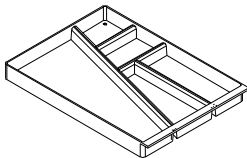
18.21.1105.023 x 1



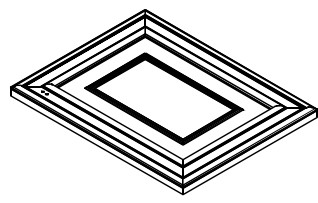
18.21.1105.017 x 1



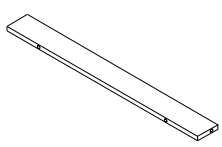
18.21.1105.024 x 1



13.01.01.287 x 1

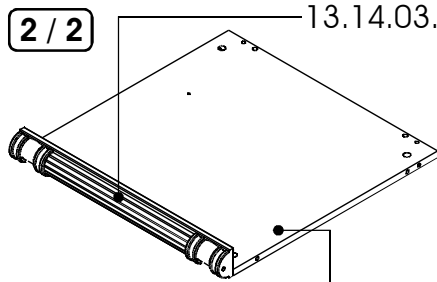


18.21.1105.012 x 1

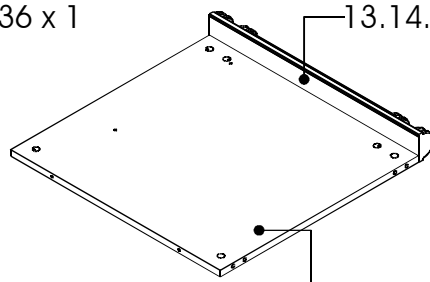


18.21.1105.026 x 1

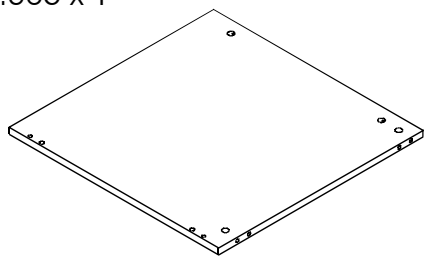
2 / 2



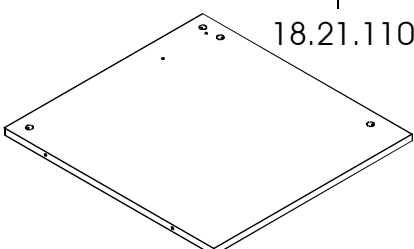
13.14.03.136 x 1



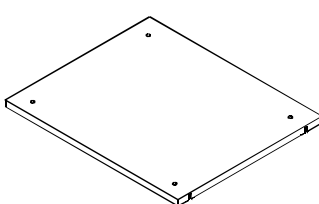
13.14.03.386 x 1



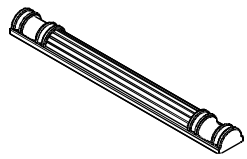
18.21.1105.007 x 1



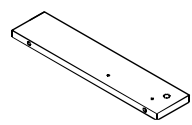
18.21.1105.003 x 1



18.21.1105.002 x 1



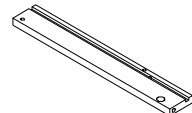
13.14.03.137 x 1



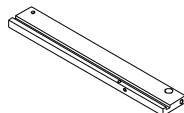
18.21.1105.010 x 1

18.21.1105.006 x 1

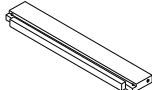
18.21.1105.008 x 1



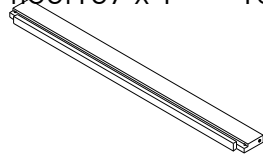
18.21.1105.020 x 2



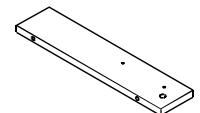
18.21.1105.021 x 2



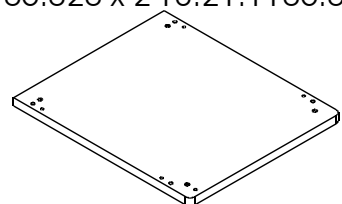
18.21.1105.022 x 1



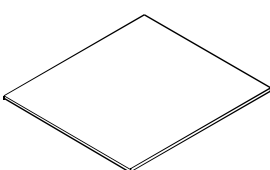
18.21.1105.027 x 1



18.21.1105.009 x 1



18.21.1105.001 x 1

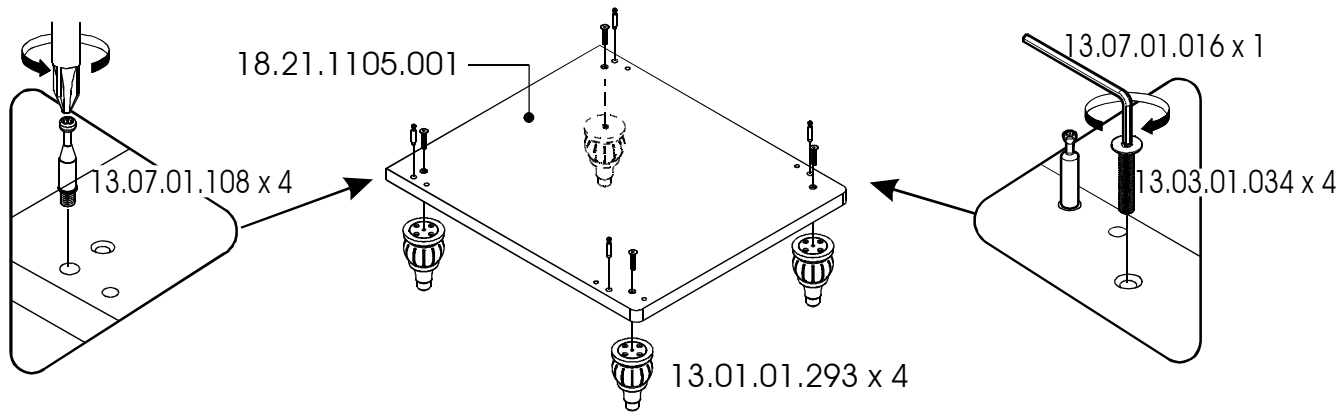


18.21.1105.004 x 1

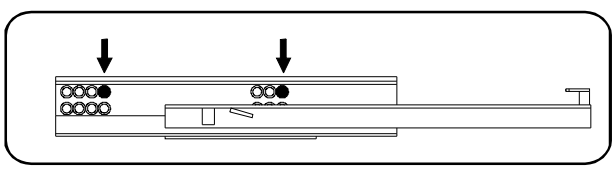
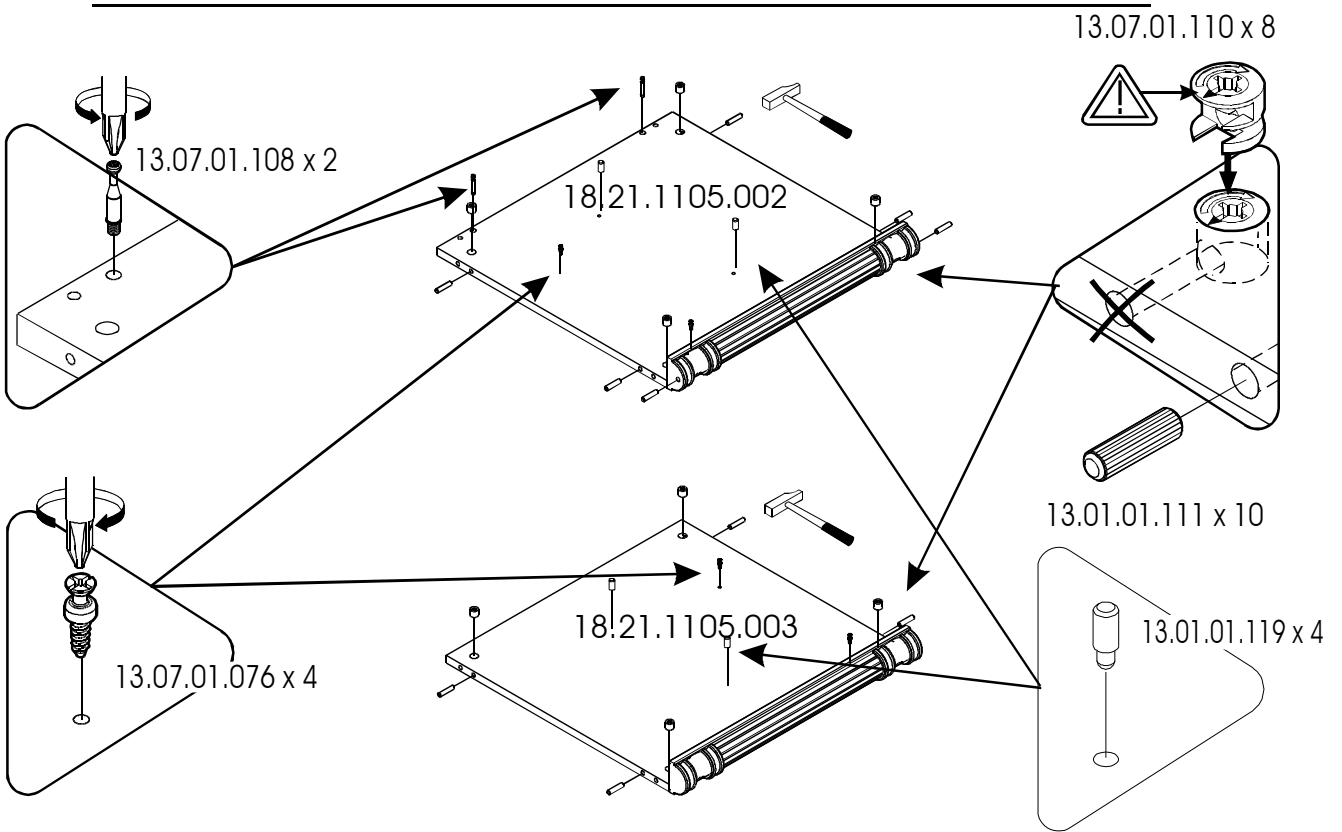


13.01.01.293 x 6

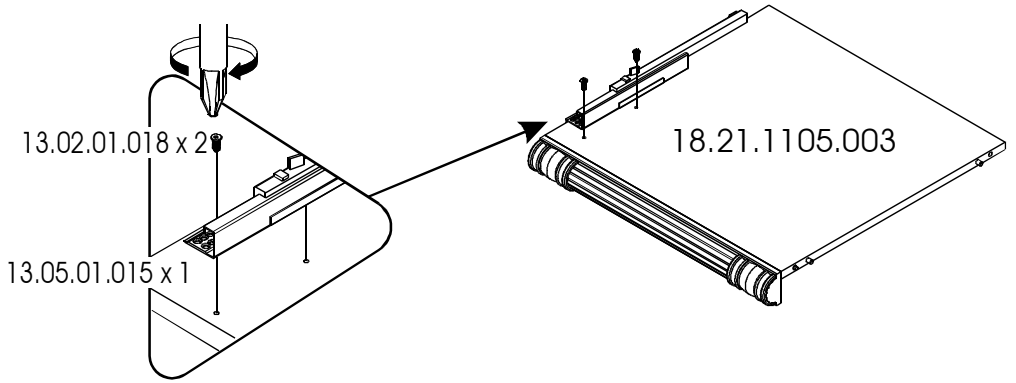
1



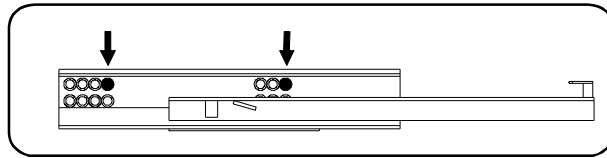
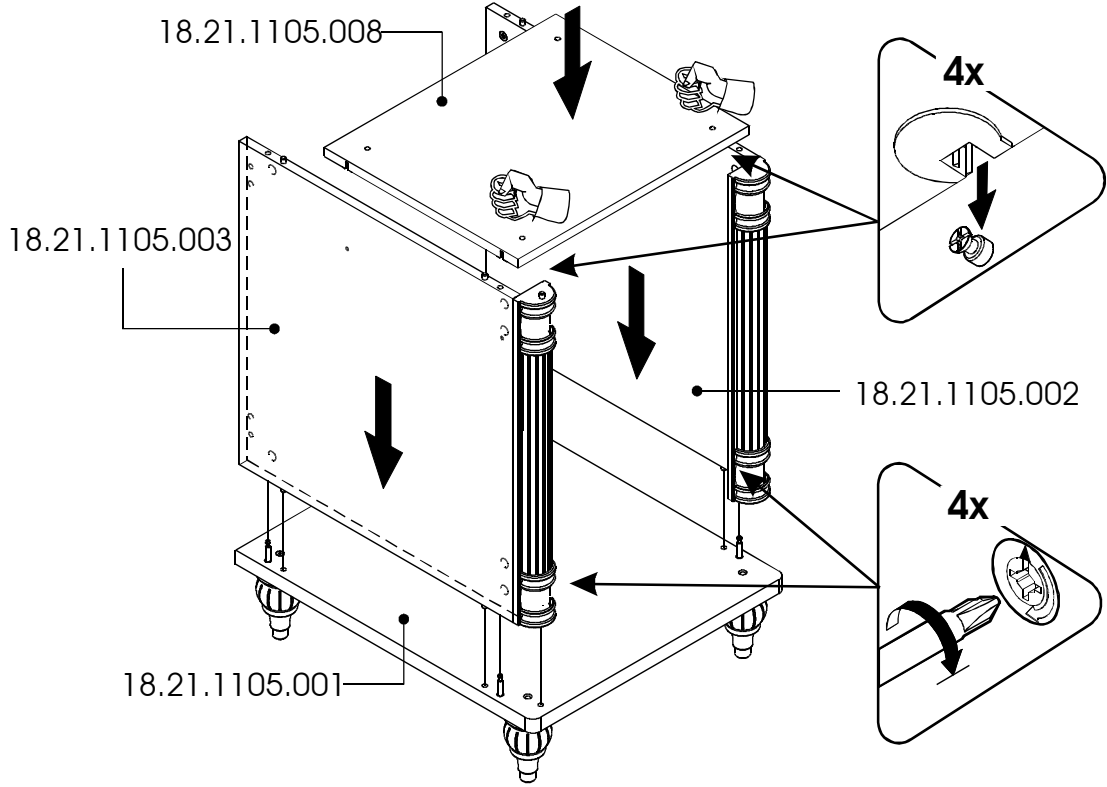
2



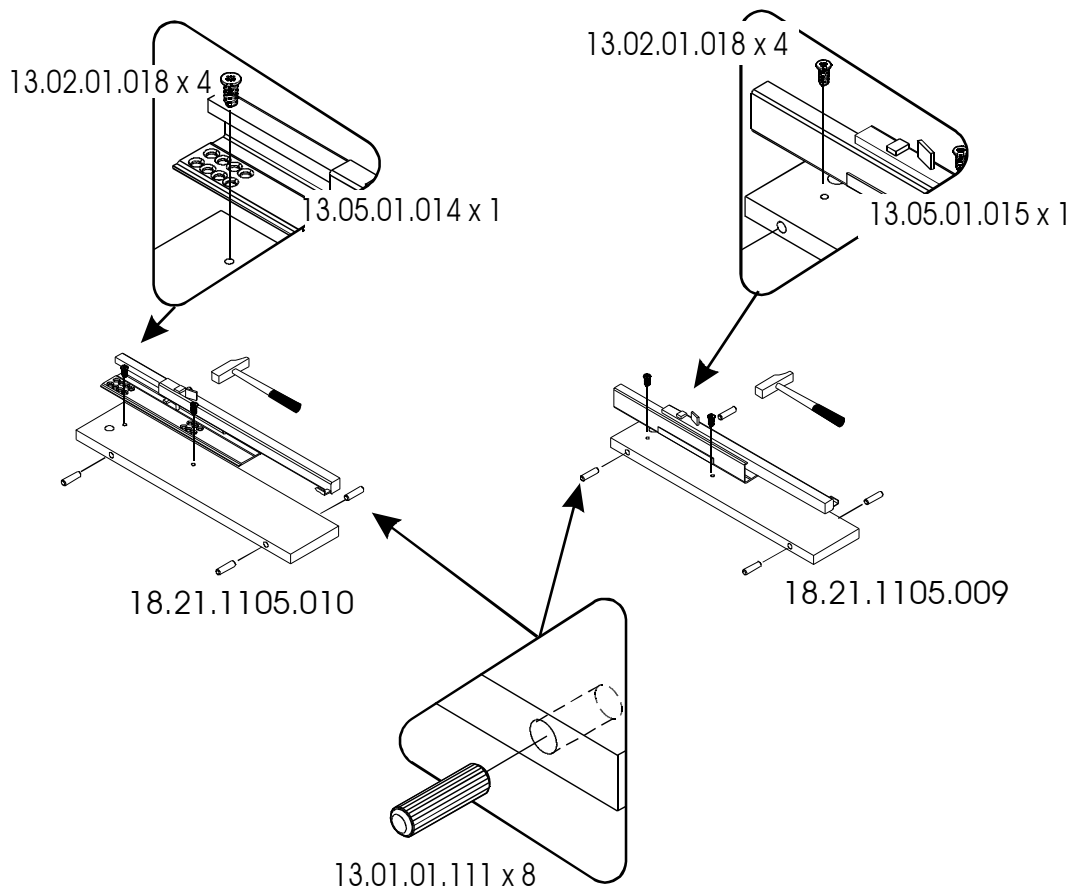
3



4



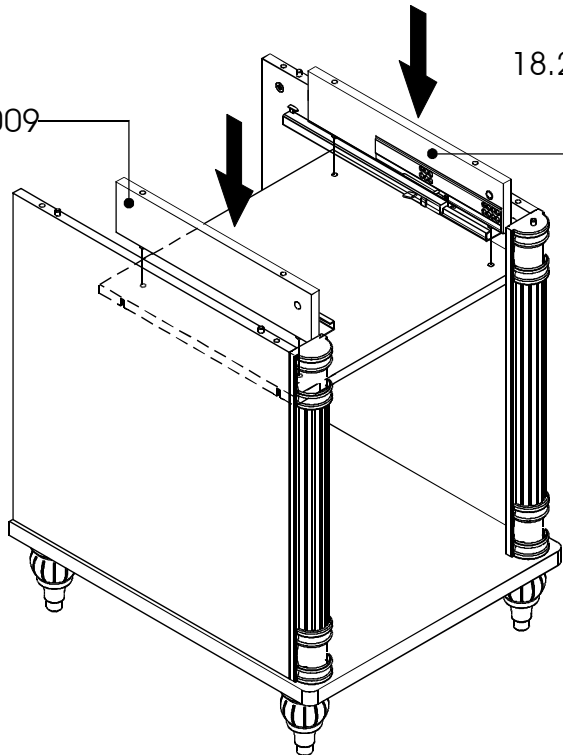
5



6

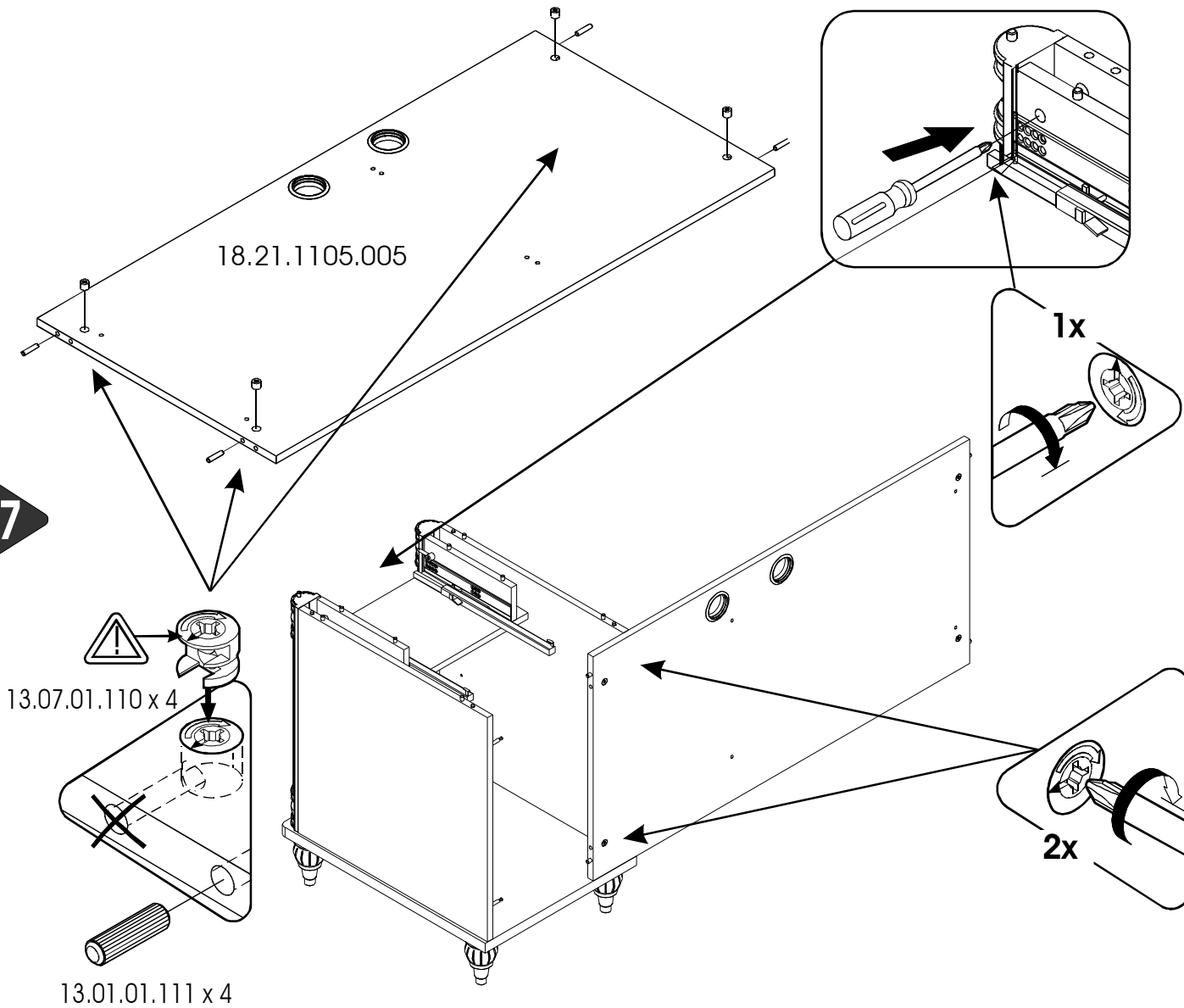
18.21.1105.009

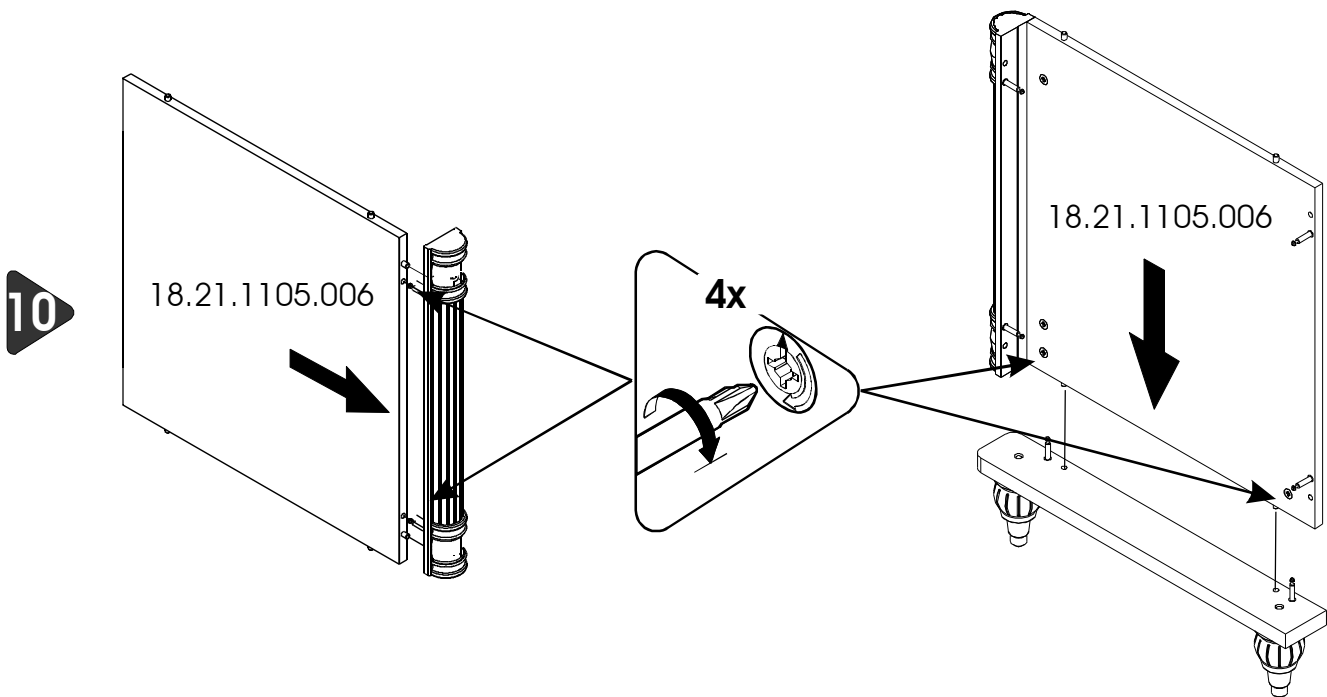
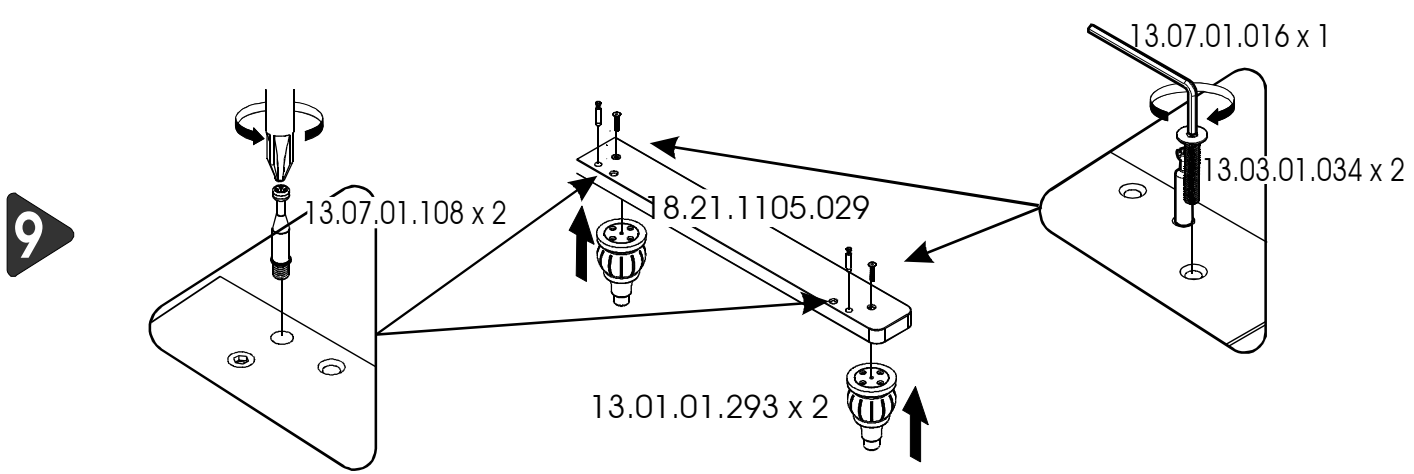
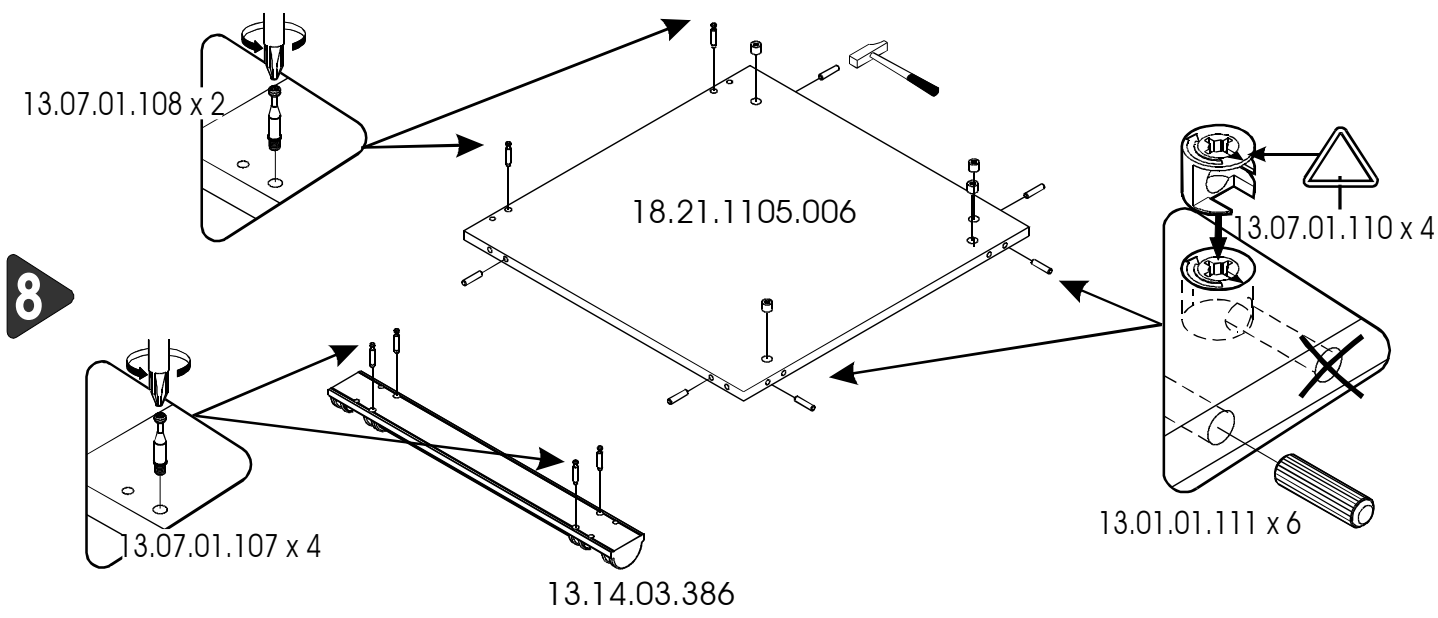
18.21.1105.010



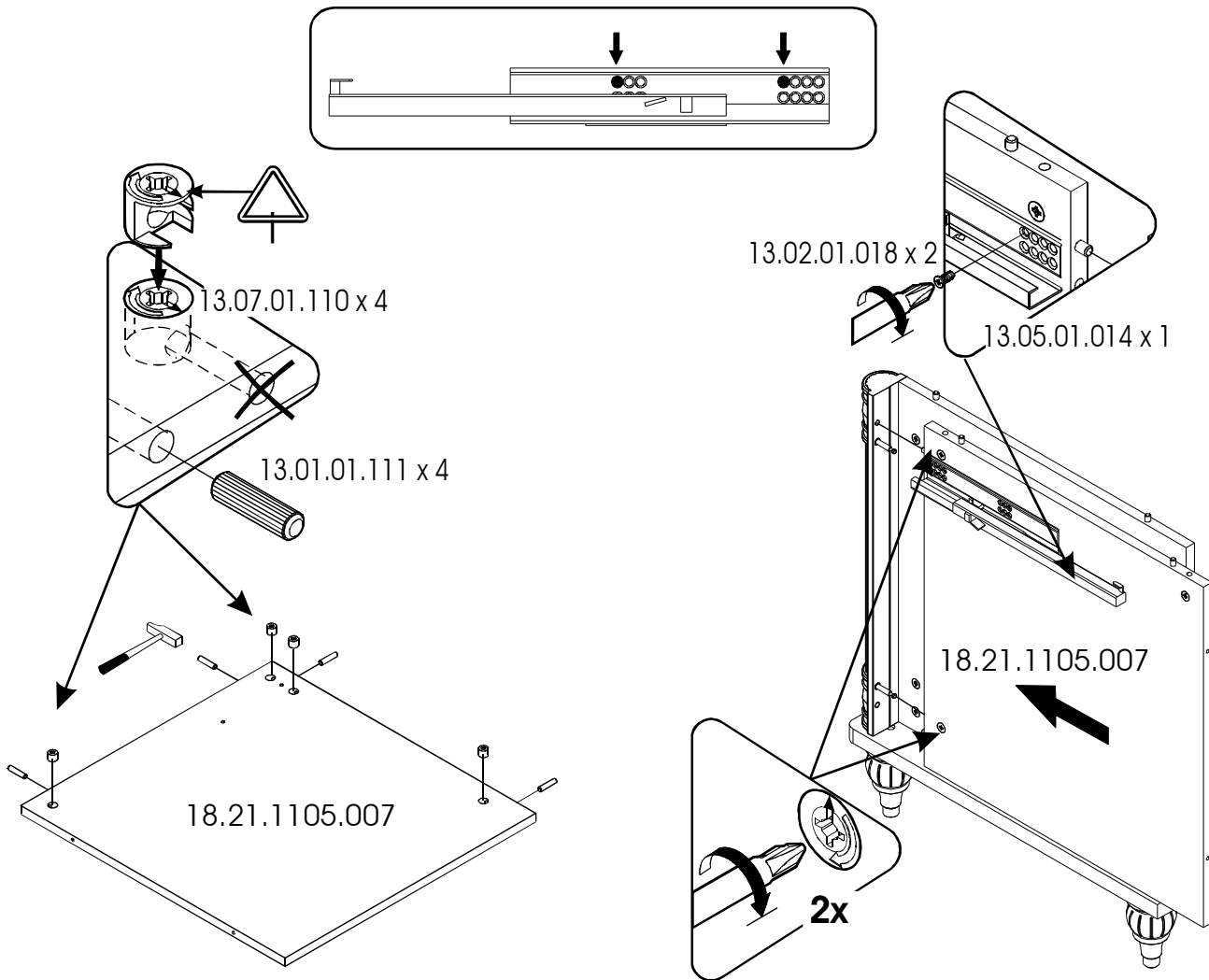
7

18.21.1105.005

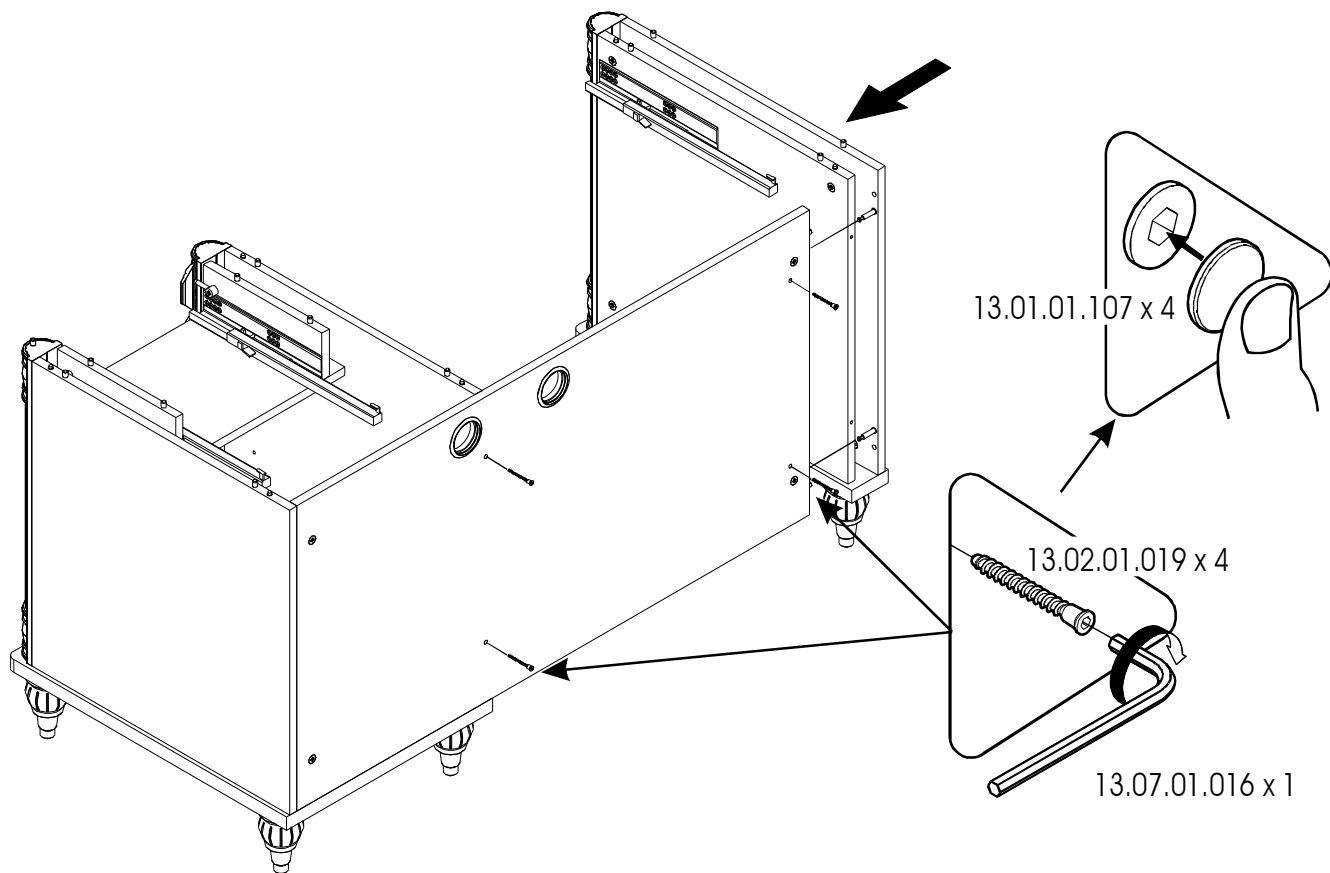




11

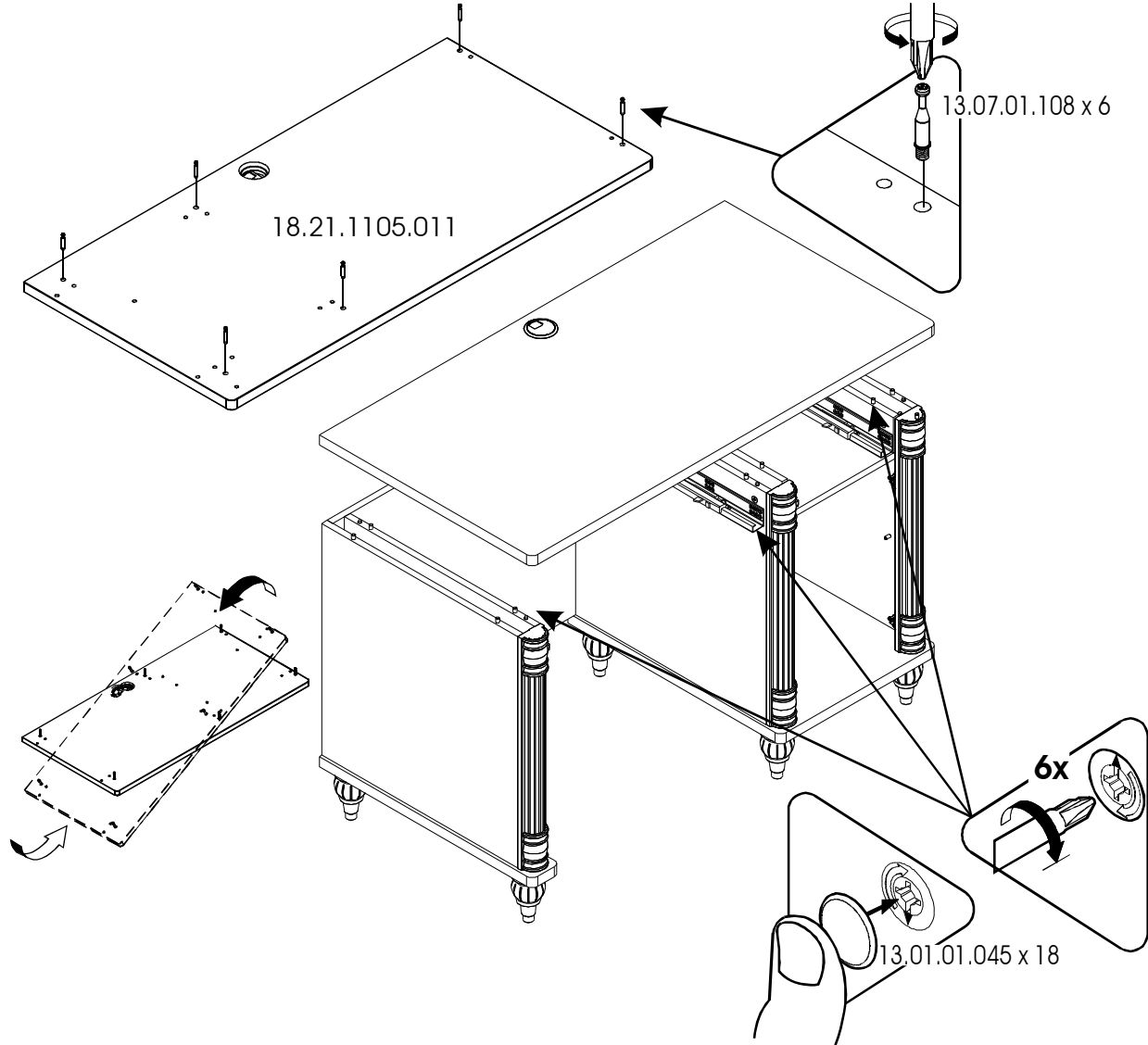


12

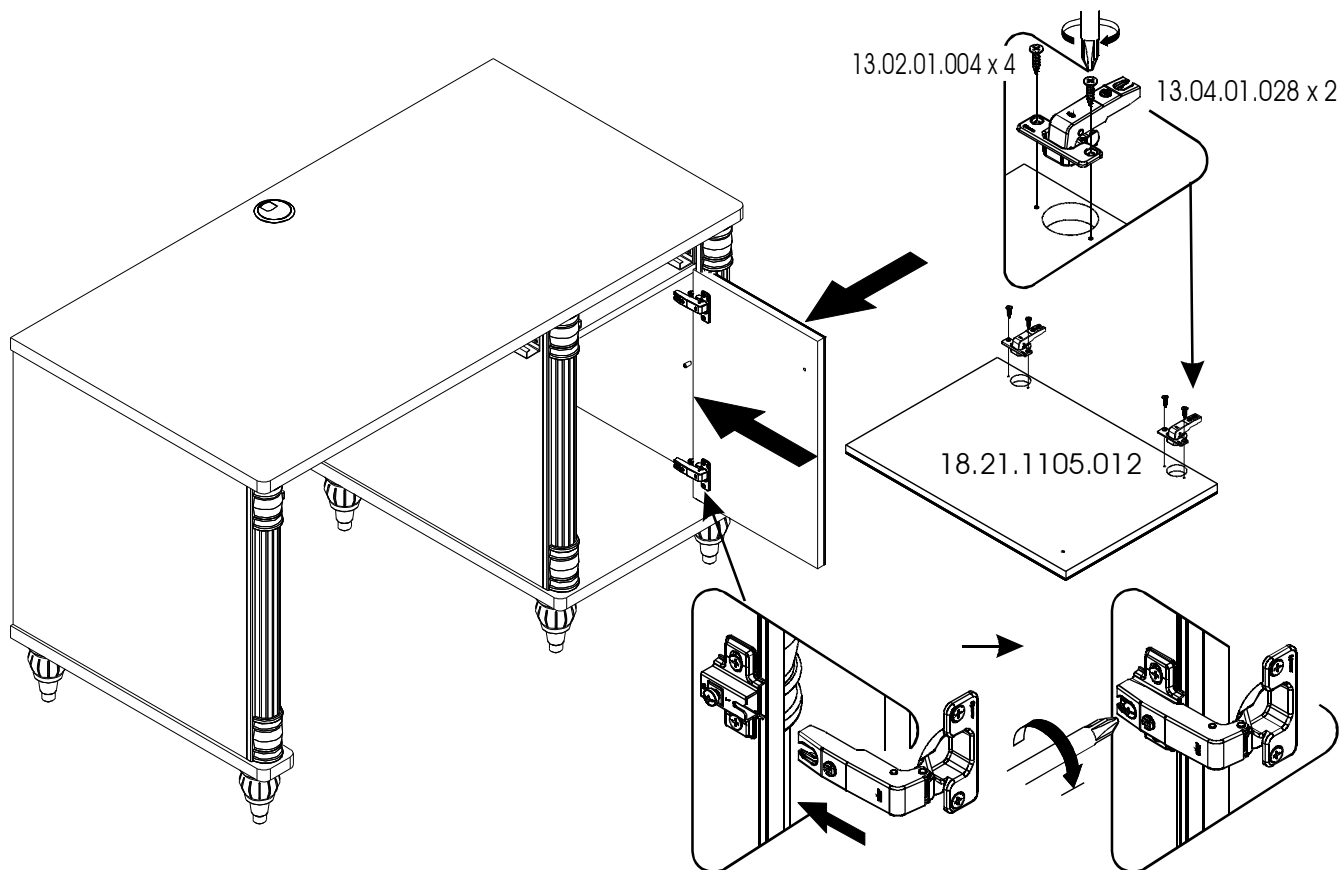




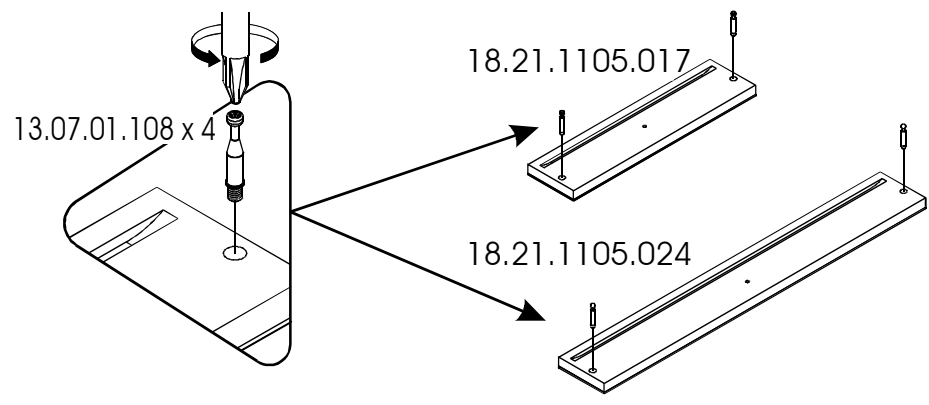
13



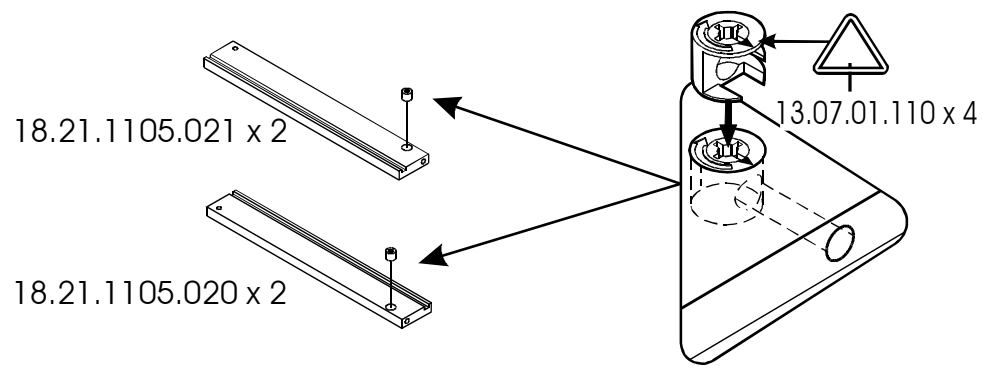
14



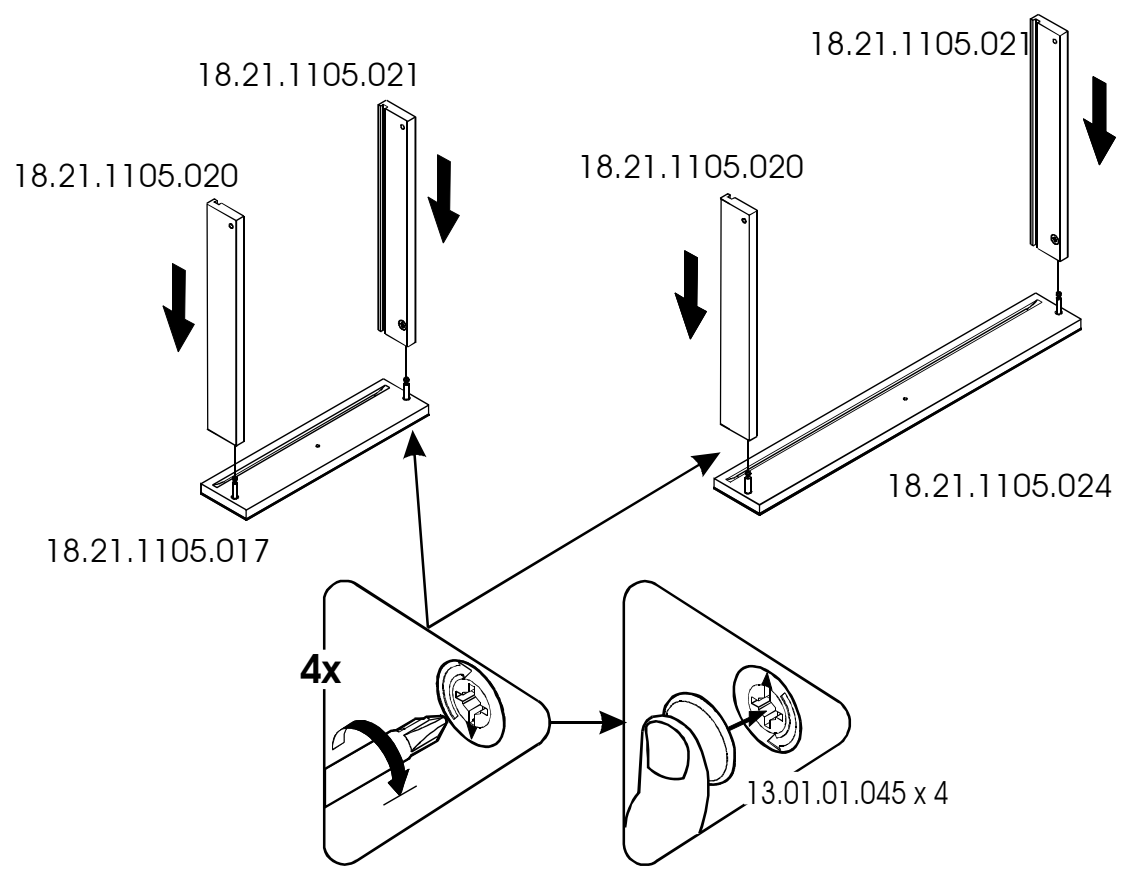
15



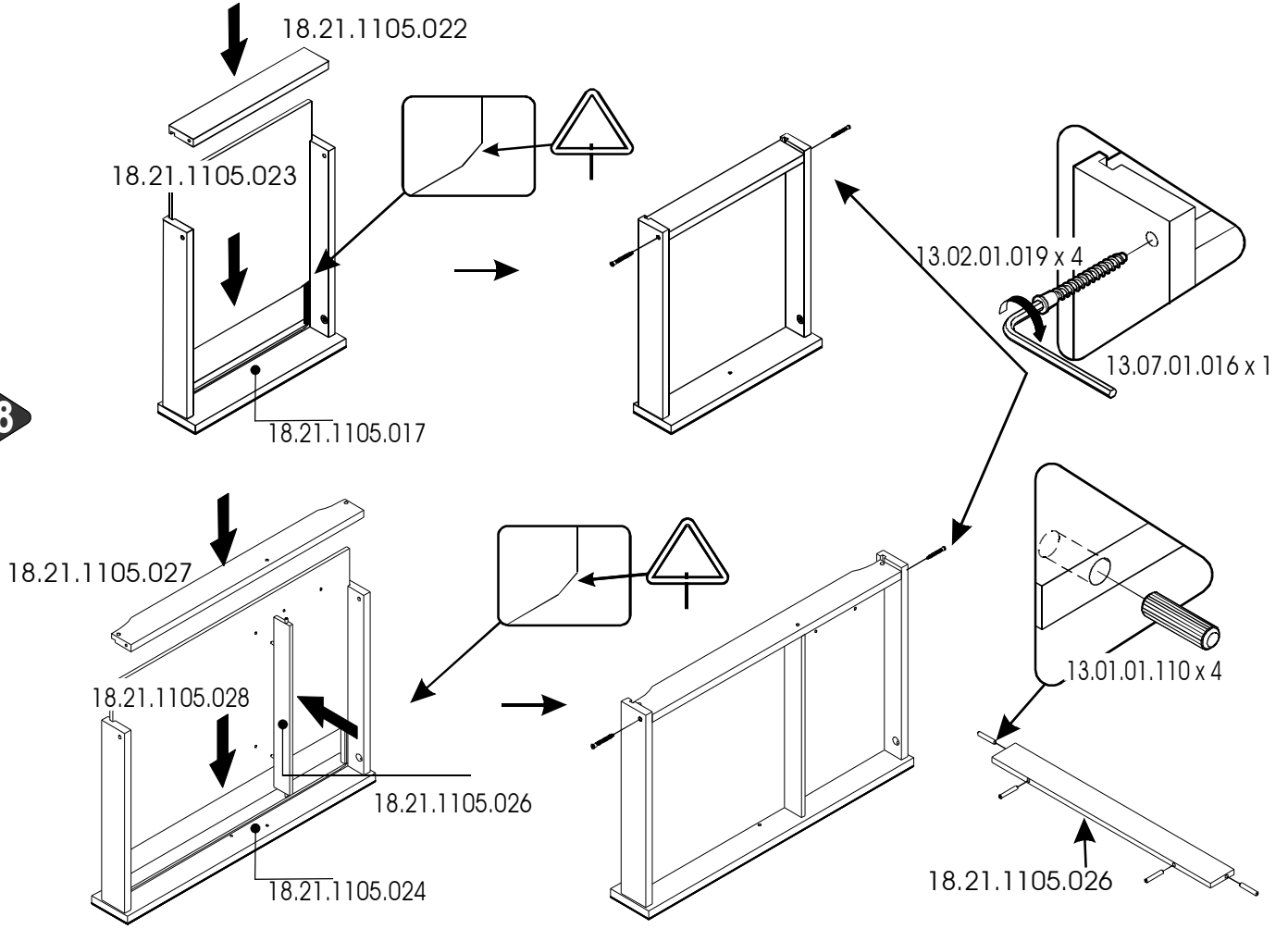
16



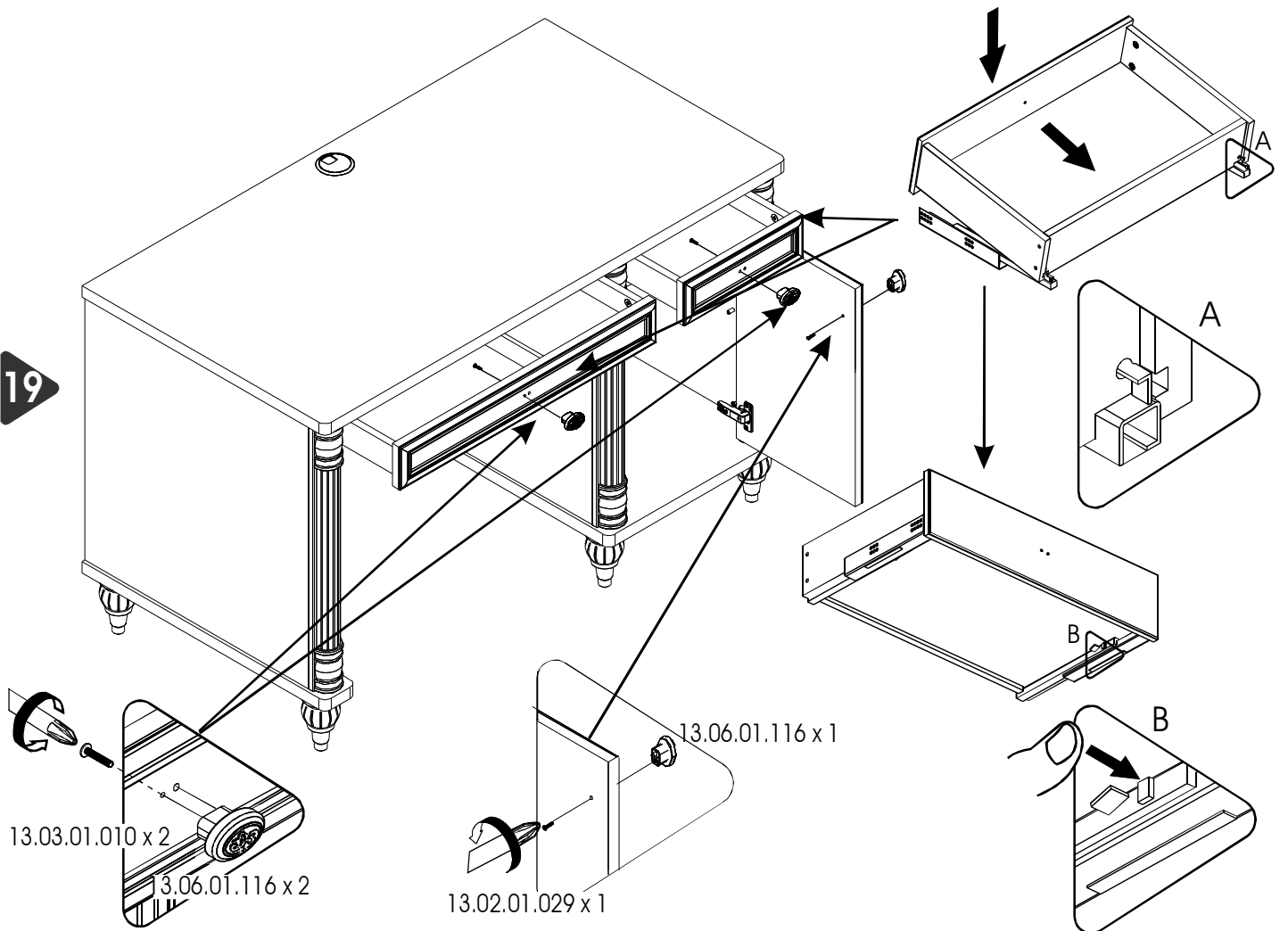
17



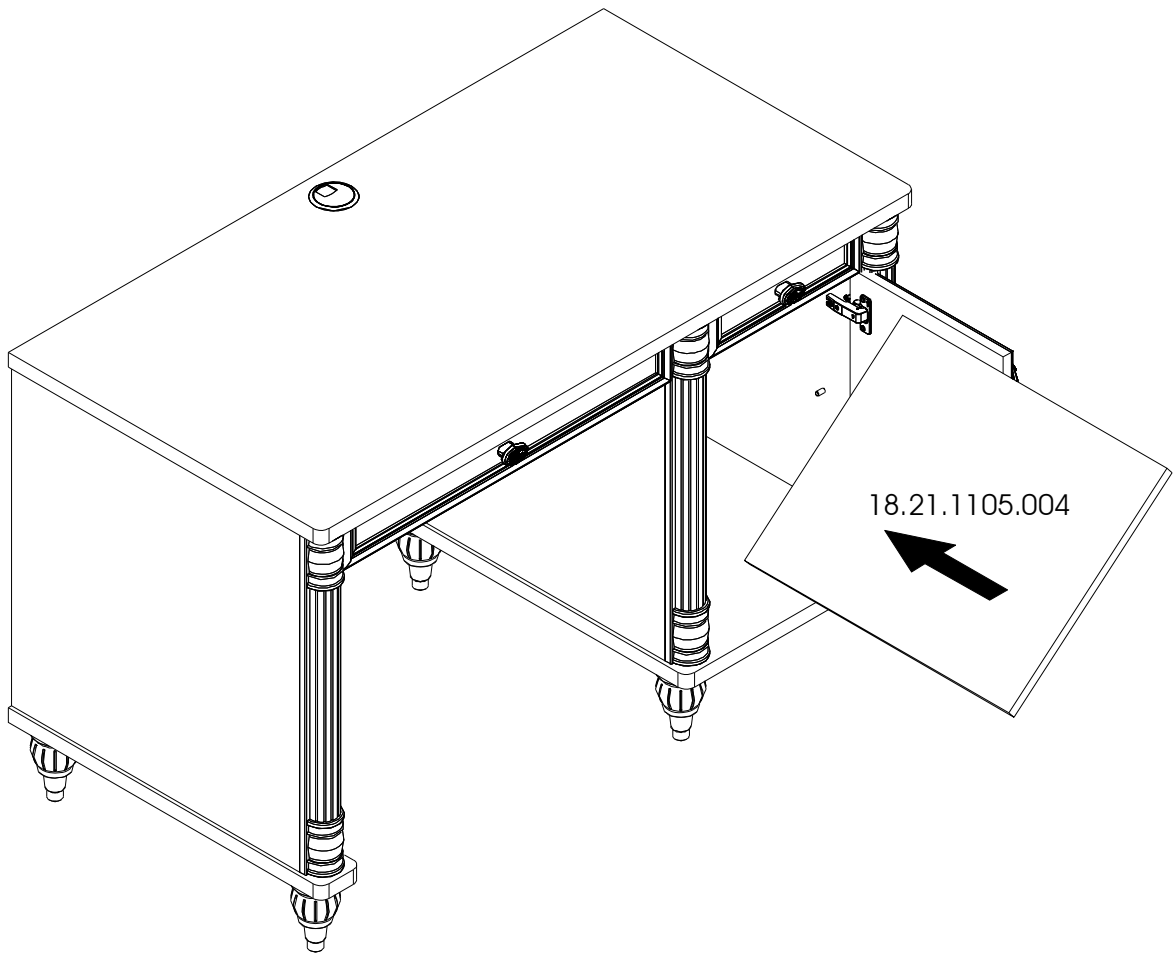
18



19



20



21

